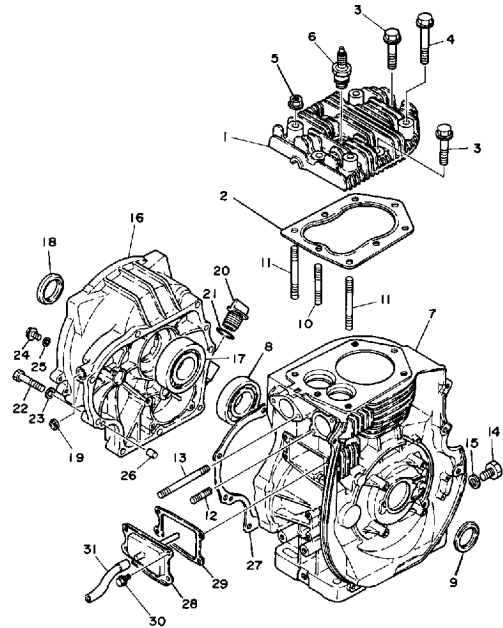




YAMAHA

**GENUINE
PARTS CATALOGUE
OUTDOOR POWER EQUIPMENT**

CYLINDER - CRANKCASE (EC4000DV)

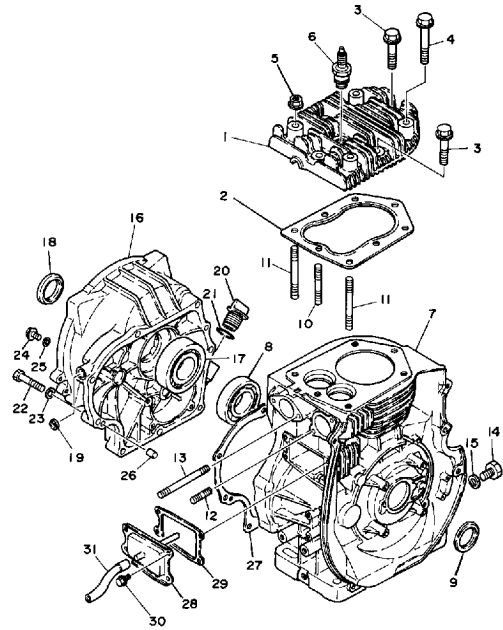


73A010-4010

Ref. No.	Part Number	Description	Qty	Remarks
1	73A-11111-00-00	HEAD, CYLINDER 1	1	
2	73A-11181-00-00	GASKET, CYLINDER HEAD 1	1	
3	95811-10050-00	BOLT, FLANGE (95812-10050-00)	3	
4	95811-10070-00	BOLT, flange (95812-10070-00)	2	
5	95701-10500-00	NUT, FLANGE (95702-10500)	3	
6	NGK-BPR6H-S0-00	PLUG, SPARK (NGK BP6HS)	1	
7	73A-15111-00-00	CRANKCASE 1 (DV)	1	
8	93306-30709-00	BEARING	1	
9	93102-34320-00	OIL SEAL, SD-TYPE	1	
10	90116-10464-00	BOLT, STUD (90116-10435)	1	
11	90116-10463-00	BOLT, STUD (90116-10434)	2	
12	95922-08620-00	BOLT, STUD	2	
13	95922-08685-00	BOLT, STUD	2	
14	97001-12020-00	BOLT	1	
15	812-11198-00-00	GASKET	1	
16	73A-15411-00-00	COVER, CRANKCASE L	1	
17	93306-20712-00	BEARING	1	
18	93102-35319-00	OIL SEAL	1	
19	93109-08050-00	OIL SEAL	1	
20	796-15363-01-00	PLUG, OIL	1	
21	93210-22344-00	O-RING	1	
22	97313-08040-00	BOLT, HEXAGON (97322-08040)	8	
23	92990-08600-00	WASHER, PLATE	8	
24	95023-08012-00	BOLT	1	
25	90201-082A6-00	WASHER, PLATE	1	
26	93608-12063-00	PIN, DOWEL	2	
27	73A-15451-00-00	GASKET, CRCS COVER	1	
28	73A-11168-00-00	COVER, BREATHER	1	

CONTINUED ON NEXT FRAME ►

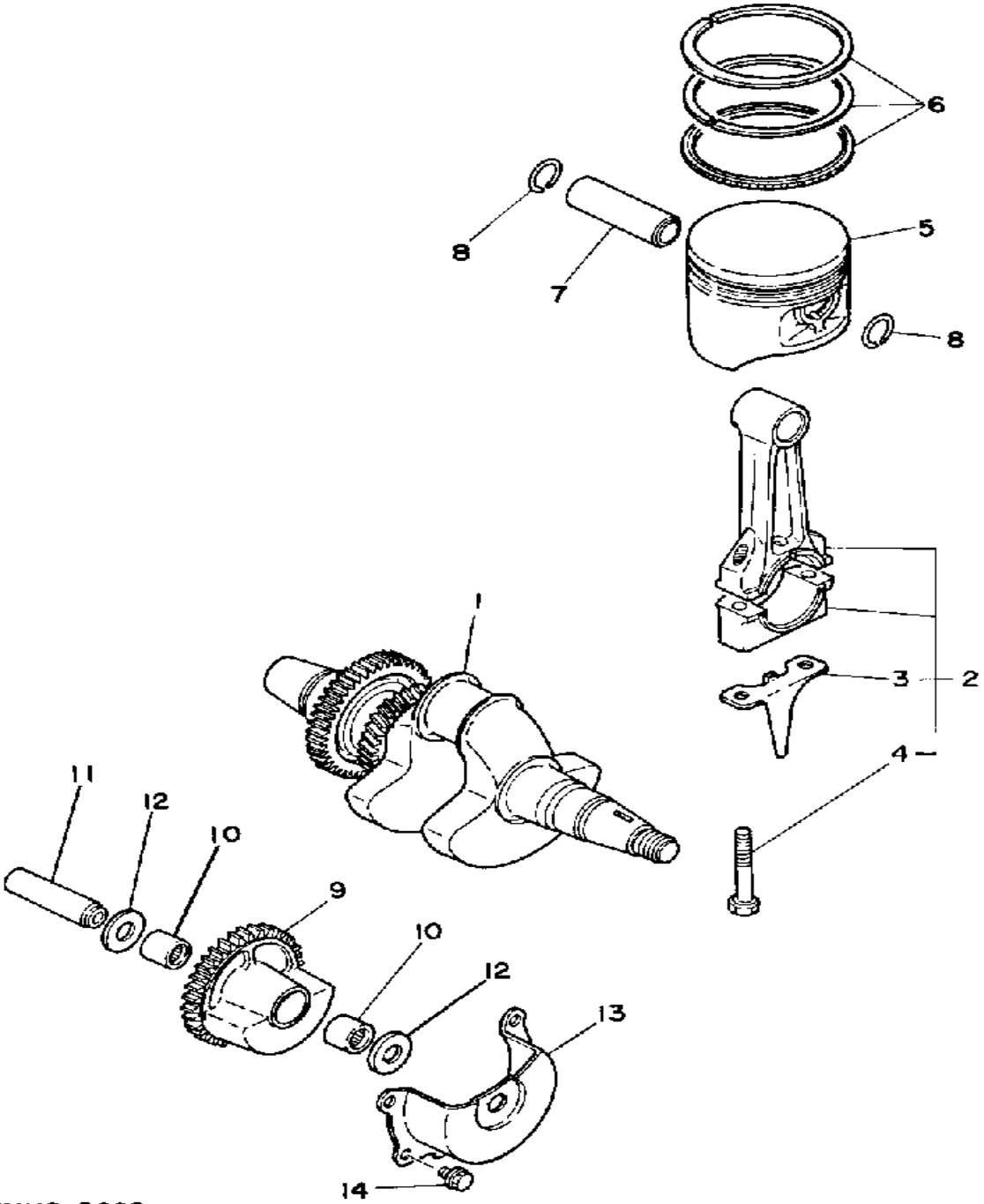
CYLINDER - CRANKCASE (EC4000DV)



73A010-4010

Ref. No.	Part Number	Description	Qty	Remarks
29	73A-11169-00-00	GASKET, BRTHR COVER	1	
30	95811-06012-00	BOLT, FLANGE	4	
31	73A-15373-00-00	PIPE, BREATHER	1	

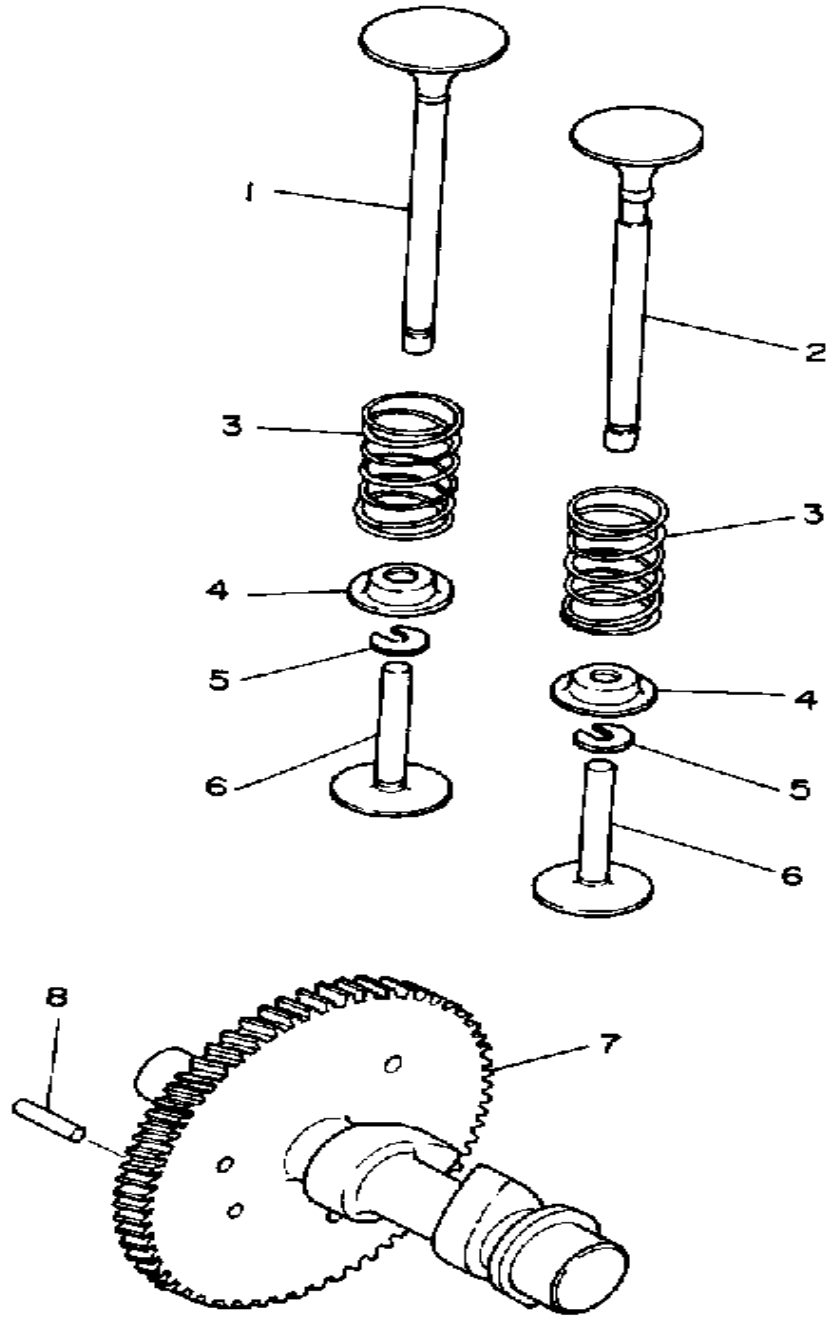
CRANKSHAFT - PISTON (EC4000DV)



Ref. No.	Part Number	Description	Qty	Remarks
1	73A-11410-00-00	CRANKSHAFT (73A-11400-00)	1	
2	73A-11650-00-00	CONNECTING ROD ASSEMBLY	1	
3	73A-11657-00-00	. SPLASHER, OIL	1	
4	73A-11654-00-00	. BOLT, CON ROD	2	
5	73A-11631-00-95	PISTON STD	1	
	73A-11635-00-00	PISTON 1 O/S 0.25 (0.25MM O/S)	1	ALT. PART
	73A-11636-00-00	PISTON 2 O/S 0.50 (0.50MM O/S)	1	ALT. PART
6	73A-11610-00-00	PISTON RINGSET STD	1	
	73A-11610-10-00	PISTON RINGSET 1ST (1ST O/S)	1	ALT. PART
	73A-11610-20-00	PISTON RINGSET 2ND (2ND O/S)	1	ALT. PART
7	73A-11633-00-00	PIN, PISTON	1	
8	93450-22027-00	CIRCLIP	2	
9	73A-11454-00-00	WEIGHT 1	1	
10	93317-21543-00	BEARING, CYLINDER.# 7	2	
11	73A-11455-00-00	SHAFT 1	1	
12	90201-152H7-00	WASHER, PLATE	2	
13	73A-11444-00-00	HOUSING	1	
14	95811-06012-00	BOLT, FLANGE	4	

7EM110-5020

CAMSHAFT - VALVE (EC4000DV)

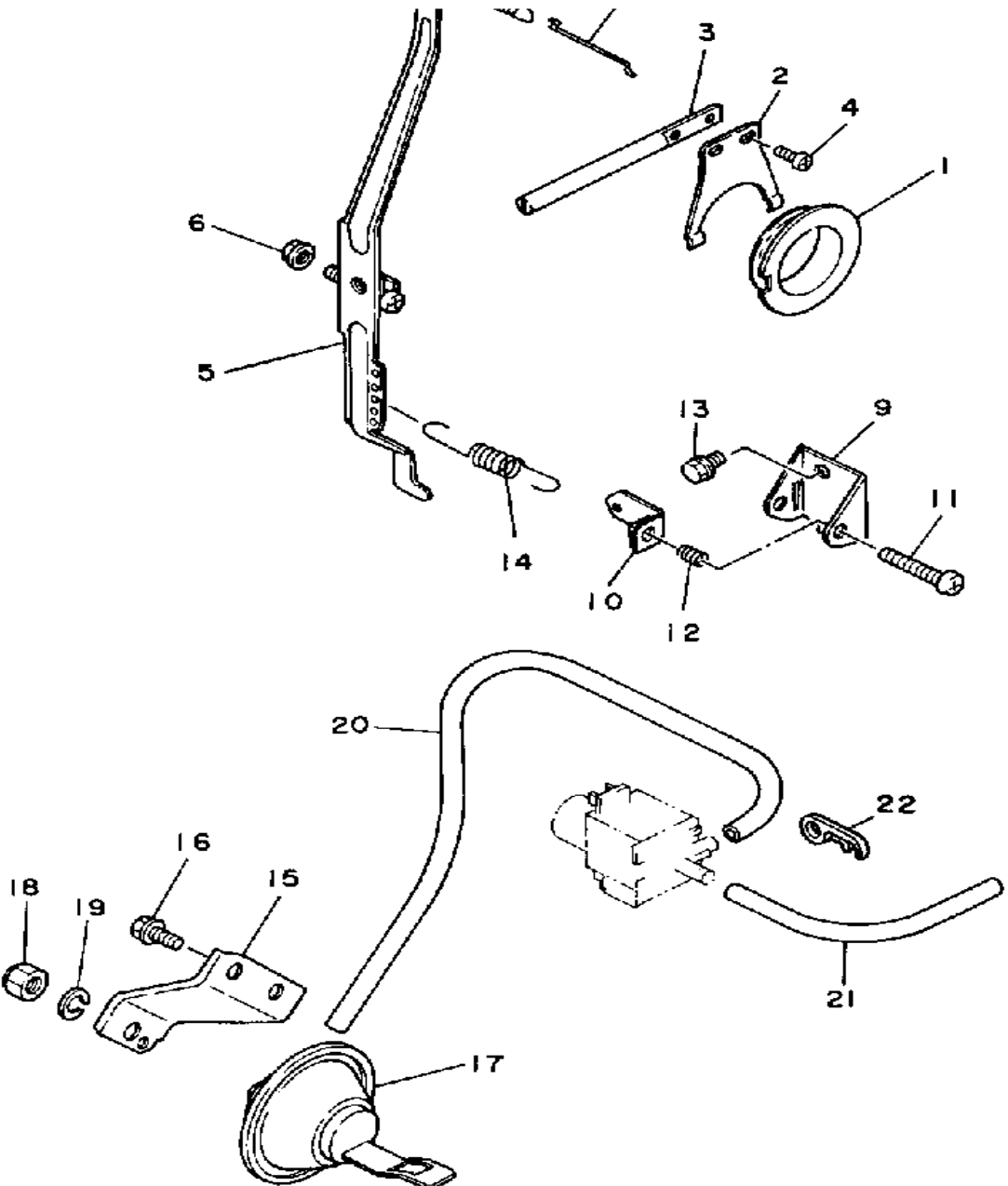


Ref. No.	Part Number	Description	Qty	Remarks
1	73A-12111-10-00	VALVE, INTAKE (73A-12111-00)	1	
2	73A-12121-10-00	VALVE, EXHAUST (73A-12121-00)	1	
3	90501-29789-00	SPRING, COMPRESSION	2	
4	73A-12117-00-00	RETAINER, VALVE SPR	2	
5	73A-12118-00-00	COTTER, VALVE	2	
6	73A-12153-00-00	LIFTER, VALVE	2	
7	73A-W1211-00-00	CAM SHAFT ASSEMBLY	1	
8	93605-23164-00	PIN, DOWEL	1	

73A010-4040

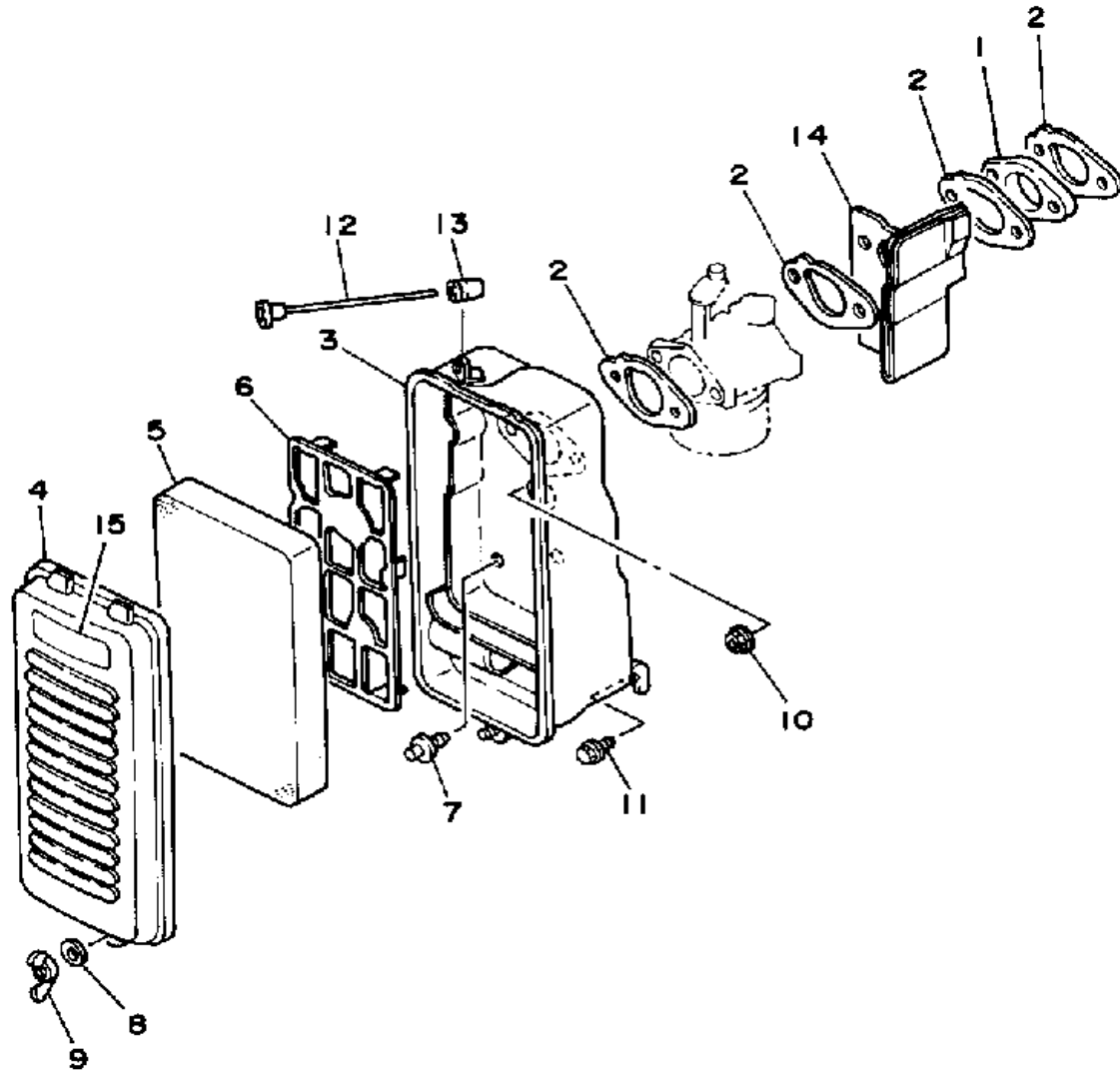
GOVERNOR (EC4000DV)

Ref. No.	Part Number	Description	Qty	Remarks
1	73A-11917-00-00	COLLAR	1	
2	73A-11922-00-00	FORK, GOVERNOR	1	
3	73A-11921-00-00	SHAFT, GOVERNOR	1	
4	98580-04008-00	SCREW, PAN HEAD	2	
5	73A-11924-11-00	ARM, GOVENOR (73A-11924-10)	1	
6	95701-06500-00	NUT, FLANGE	1	
7	7A9-11928-01-00	ROD, LINK (7A9-11928-00)	1	
8	90506-07355-00	SPRING, TENSION (90506-05159)	1	
9	73A-11941-00-00	STAY	1	
10	73A-11931-00-00	LEVER	1	
11	98580-06035-00	SCREW, PAN HEAD	1	
12	90501-10264-00	SPRING, COMPRESSION	1	
13	95811-06010-00	BOLT, FLANGE	1	
14	90506-11364-00	SPRING, TENSION	1	
15	73A-11998-00-00	BRACKET 1	1	
16	95811-06012-00	BOLT, FLANGE	2	
17	7X6-11960-00-00	DIAPHRAGM ASSEMBLY	1	
18	95303-08700-00	NUT	1	
19	92990-08100-00	WASHER	1	
20	90445-082A9-00	HOSE	1	
21	90445-08676-00	HOSE (DV)	1	
22	90464-07015-00	CLAMP	1	



7EM110-5030

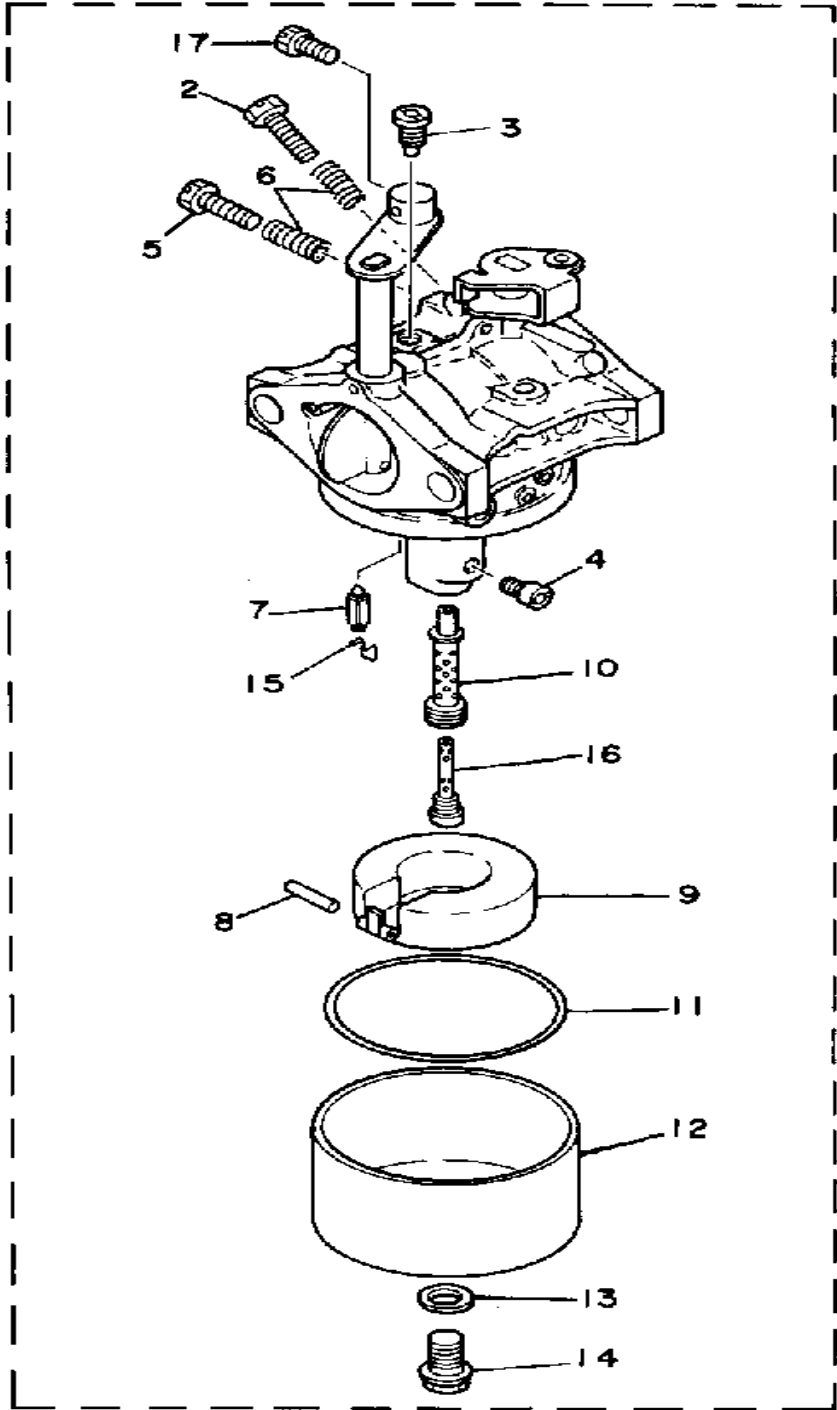
AIR FILTER (EC4000DV)



Ref. No.	Part Number	Description	Qty	Remarks
1	73A-13555-10-00	MANIFOLD, INTAKE	1	
2	73A-13556-00-00	GASKET, MANIFOLD	4	
3	73A-14411-02-35	CASE, AIR CLEANER 1 (DV) ..	1	SILVER
4	7EL-14402-00-00	CAP ASSEMBLY, AIR CLEANR	1	
5	73A-14451-02-00	ELEMENT, AIR CLEANR	1	
6	73A-14468-00-00	PLATE, ELEMENT FIT.	1	
7	73A-14435-00-00	GROMMET	1	
8	90201-065F3-00	WASHER, PLATE	1	
9	90175-06008-00	NUT, WING	1	
10	95701-08500-00	NUT, FLANGE	2	
11	95811-08016-00	BOLT, FLANGE	1	
12	73A-14583-00-00	LEVER, CHOKE	1	
13	796-14445-00-00	GROMMET	1	
14	73A-14280-00-00	COVER, CARBURETOR	1	
15	7EJ-14488-10-00	LABEL, CAUTION	1	

7EL1 10 - 5060

CARBURETOR (EC4000DV)

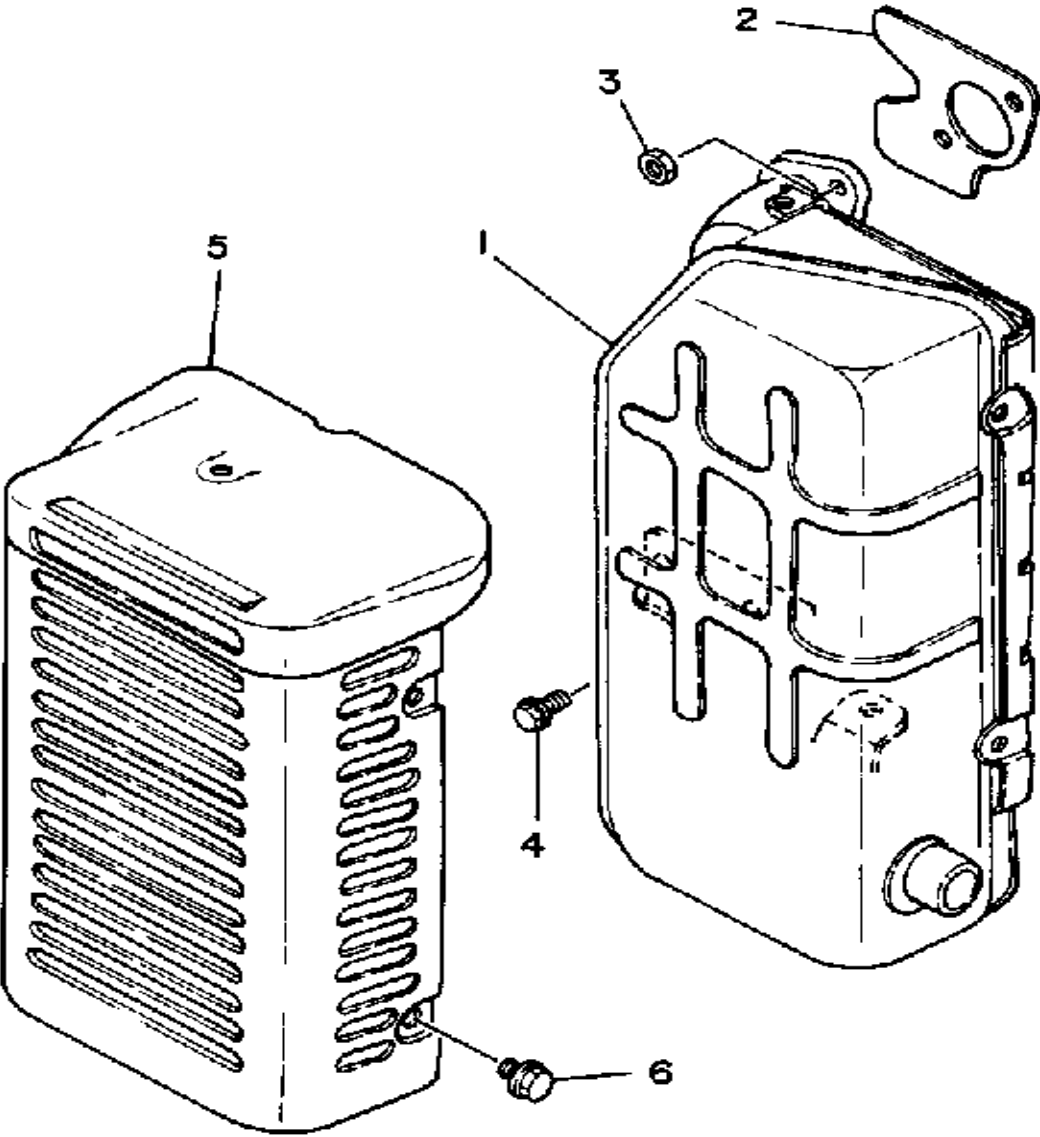


Ref. No.	Part Number	Description	Qty	Remarks
1	73A-14501-00-00	CARBURETOR ASSEMBLY 1	1	
2	73A-14211-00-00	. SCREW, PILOT ADJUSTING	1	
3	620-14142-72-00	. JET, PILOT (#72.5)	1	
4	3G2-1423A-73-A0	. JET MAIN #112.5 (256-14944-73)	1	
5	73A-14486-00-00	. SCREW, ROD	1	
6	73A-14212-00-00	. SPRING	2	
7	73A-14150-00-00	. NEEDLE ASSEMBLY	1	
8	7G0-14186-00-00	. PIN, FLOAT	1	
9	73A-14185-00-00	. FLOAT	1	
10	73A-14941-8E-00	. NOZZLE, MAIN	1	
11	796-14184-00-00	. GASKET, FLOAT CHAMBER	1	
12	73A-14181-00-00	. BODY, FLOAT CHMBR 1	1	
13	127-14198-00-00	. GASKET	1	
14	7R1-14162-00-00	. BOLT, HOLDING	1	
15	7E1-14159-00-00	. CLIP	1	
16	73A-1414G-00-00	. PIPE, MAIN BREED	1	
17	73A-14486-00-00	. SCREW, ROD	1	

73A010-4080

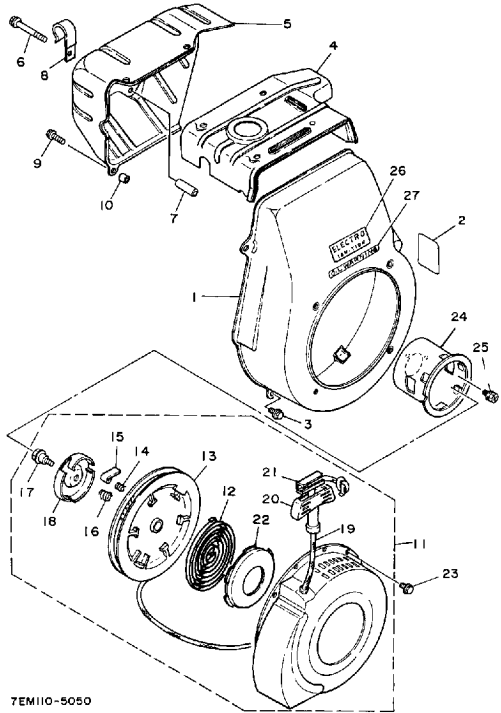
EXHAUST (EC4000DV)

Ref. No.	Part Number	Description	Qty	Remarks
1	73H-14710-00-98	MUFFLER ASSEMBLY L (DV)	1	UR LOW GLOSS BLACK
2	73A-14613-00-00	GASKET, EXST PIPE	1	
3	95380-08600-00	NUT		
4	95811-08016-00	BOLT, FLANGE	1	
5	73A-14718-01-93	PROTECTOR, MUFF 1 (73A-14718-00-93)	1	
6	90119-06203-00	BOLT, WITH WASHER	4	



73R171-4080

AIR SHROUD - STARTER (EC4000DV)

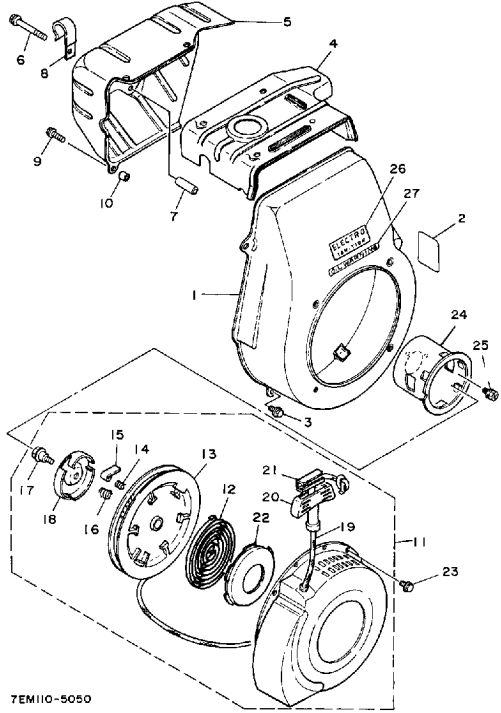


7EM110-5050

Ref. No.	Part Number	Description	Qty	Remarks
1	73A-12621-00-86	CASE, FAN (DV)	1	NAIAD BLUE
2	73A-21793-00-00	ORNAMENT	1	
3	95811-06010-00	BOLT, FLANGE	4	
4	73A-W1261-00-86	AIR SHROUD, CYLINDER	1	NAIAD BLUE
5	73A-W1263-00-86	AIR SHROUD, CYLINDER 2	1	NAIAD BLUE
6	95811-06055-00	BOLT, FLANGE (95802-06055)	1	
7	90387-067J2-00	COLLAR	1	
8	(90462-08100-00)	CLAMP	1	
9	97023-06020-00	BOLT (3XF)	1	
10	90387-064W1-00	COLLAR (90387-066J9)	1	
11	73A-15710-01-86	STARTER ASSEMBLY	1	NAIAD BLUE
12	73A-14713-00-00	. UNAVAILABLE IN PRICE BOOK	1	
13	73A-14714-00-00	. UNAVAILABLE IN PRICE BOOK	1	
14	7X9-15743-00-00	. CLIP, DRIVE PAWL	3	
15	7R7-15741-00-00	PAWL, DRIVE	3	
16	73A-15715-01-00	. SPRING, DRIVE PLATE	1	
17	7X9-15768-00-00	. BOLT	1	
18	73A-15716-00-00	. PLATE, DRIVE	1	
19	75H-15751-00-00	. ROPE, STARTER (73A-15751-00)	1	
20	7R7-15755-01-00	. HANDLE, STARTER	1	
21	7R7-15756-01-00	. CONNECTOR 1	1	
22	73A-15766-00-00	. CASE, SPRING L	1	
23	95811-06010-00	BOLT, FLANGE	4	
24	73A-15723-01-00	PULLEY, STARTER (73A-15723-00)	1	
25	90159-08070-00	SCREW, WITH WASHER	3	
26	76G-21781-00-00	EMBLEM 1	1	

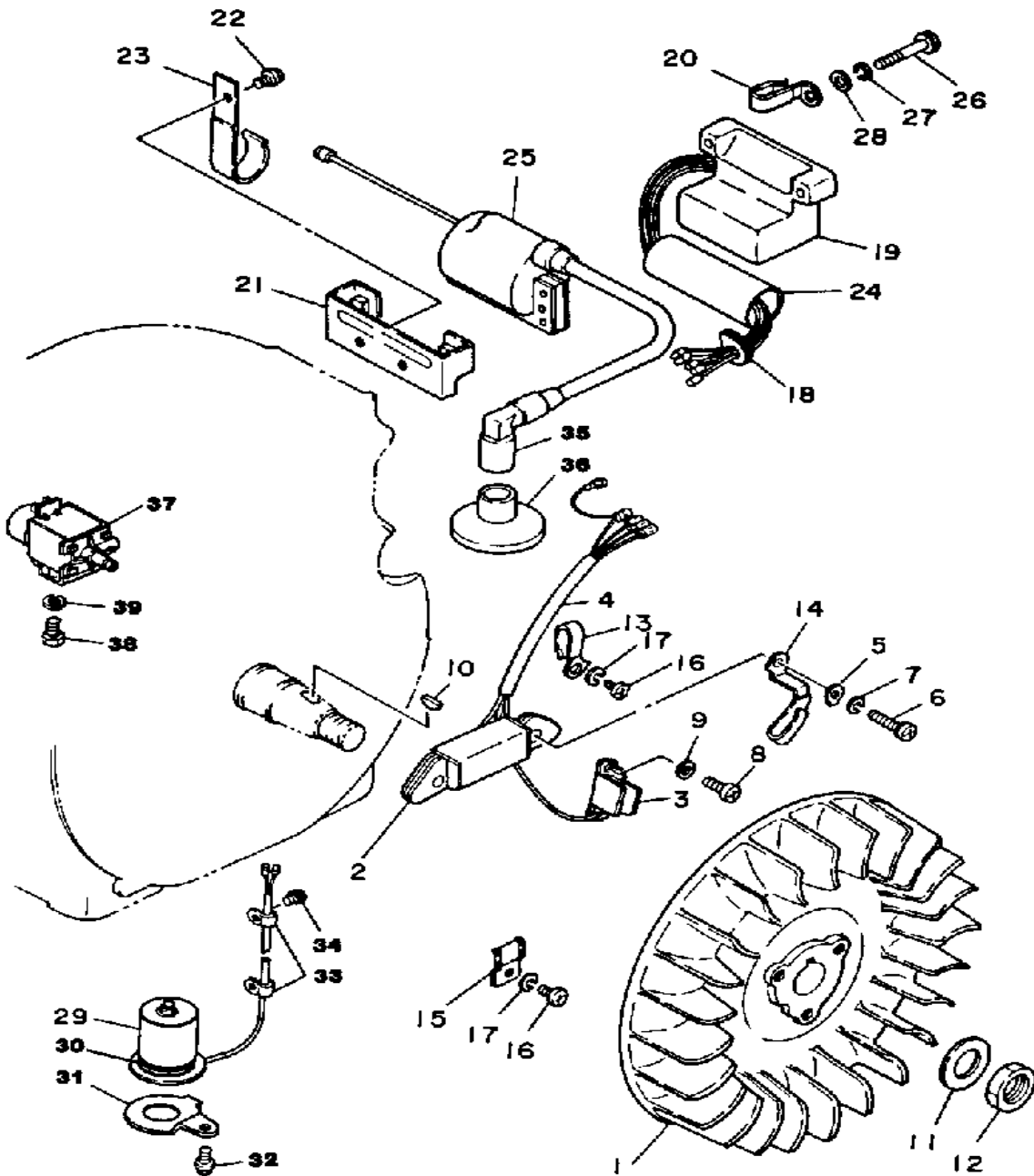
CONTINUED ON NEXT FRAME ►

AIR SHROUD - STARTER (EC4000DV)



Ref. No.	Part Number	Description	Qty	Remarks
27	73A-21782-00-00	EMBLEM 2	1	

MAGNETO (EC4000DV)

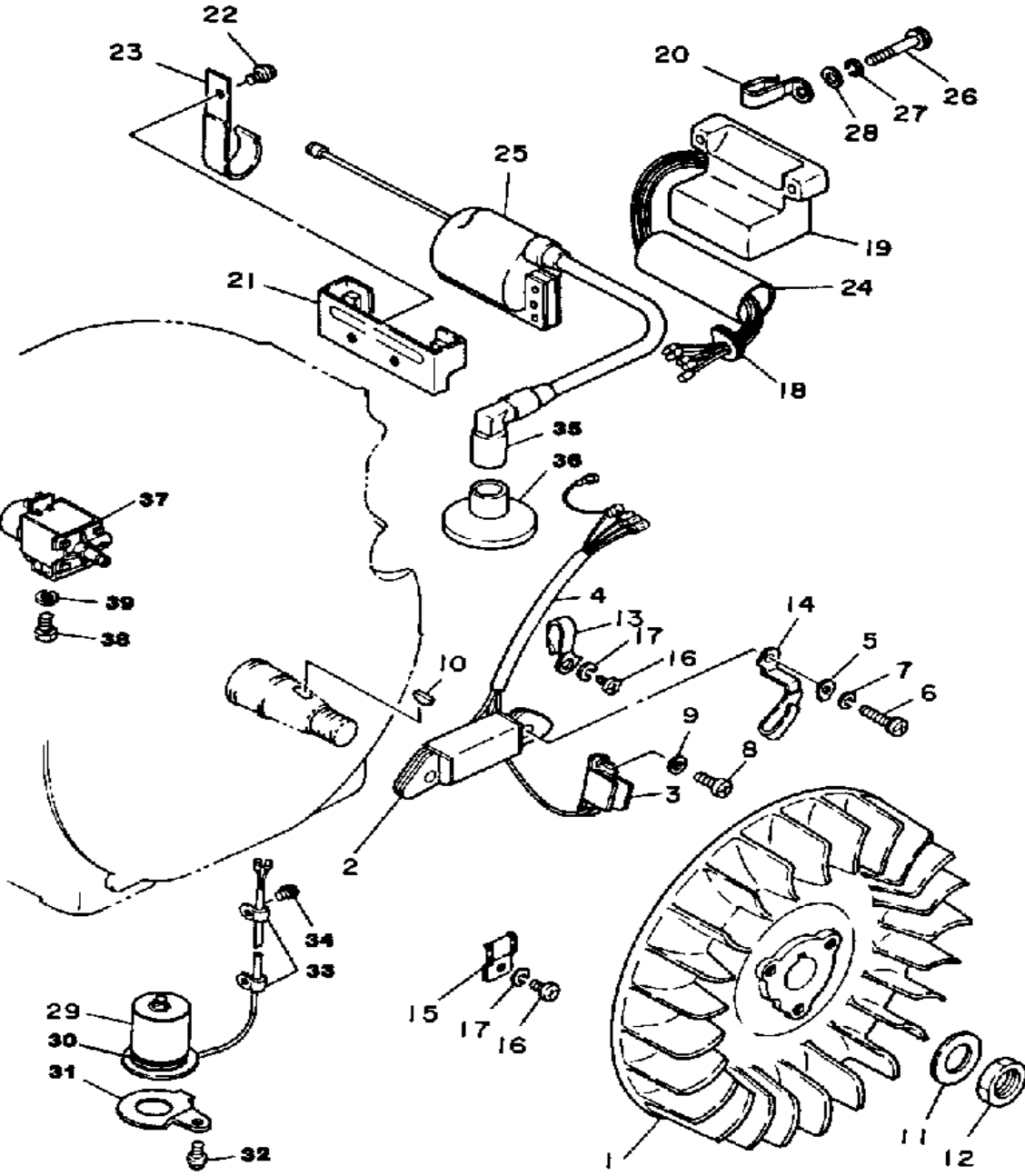


7EL110-5120

Ref. No.	Part Number	Description	Qty	Remarks
1	73F-85550-M9-00	ROTOR ASSEMBLY (73F-85550-M0) (DV)	1	
2	7H5-85520-M0-00	COIL, CHARGE	1	
3	73A-85580-M0-00	COIL, PULSER	1	
4	73F-8131X-M0-00	CORD ASSEMBLY (DV)	1	
5	73A-85569-M0-00	TERMINAL, EARTH 2	1	
6	98580-06030-00	SCREW PAN HEAD	2	
7	92995-06100-00	WASHER, SPRING	2	
8	98580-04010-00	SCREW, PAN HEAD	2	
9	92990-04100-00	WASHER, SPRING	2	
10	90280-05025-00	KEY, WOODRUFF	1	
11	90201-18620-00	WASHER, PLAIN	1	
12	90170-18332-00	NUT, HEXAGON	1	
13	90465-08135-00	CLAMP	1	
14	90465-08135-00	CLAMP	1	
15	(90462-15135-00)	CLAMP	1	
16	98580-06010-00	SCREW, PAN HEAD (92503-06010)	2	
17	92995-06100-00	WASHER, SPRING	2	
18	90480-16376-00	GROMMET	1	
19	73F-85540-M0-00	CDI UNIT ASSEMBLY (DV)	1	
20	90465-08135-00	CLAMP	1	
21	73A-85542-00-00	BRACKET	1	
22	95811-06010-00	BOLT, FLANGE	2	
23	(90462-08100-00)	CLAMP	1	
24	75G-82599-00-00	COVER, CONNECTER	1	
25	73A-82310-M0-00	IGNITION COIL ASSEMBLY	1	
26	97313-06045-00	BOLT (97021-06045-00)	2	
27	92995-06100-00	WASHER, SPRING	2	

CONTINUED ON NEXT FRAME ►

MAGNETO (EC4000DV)

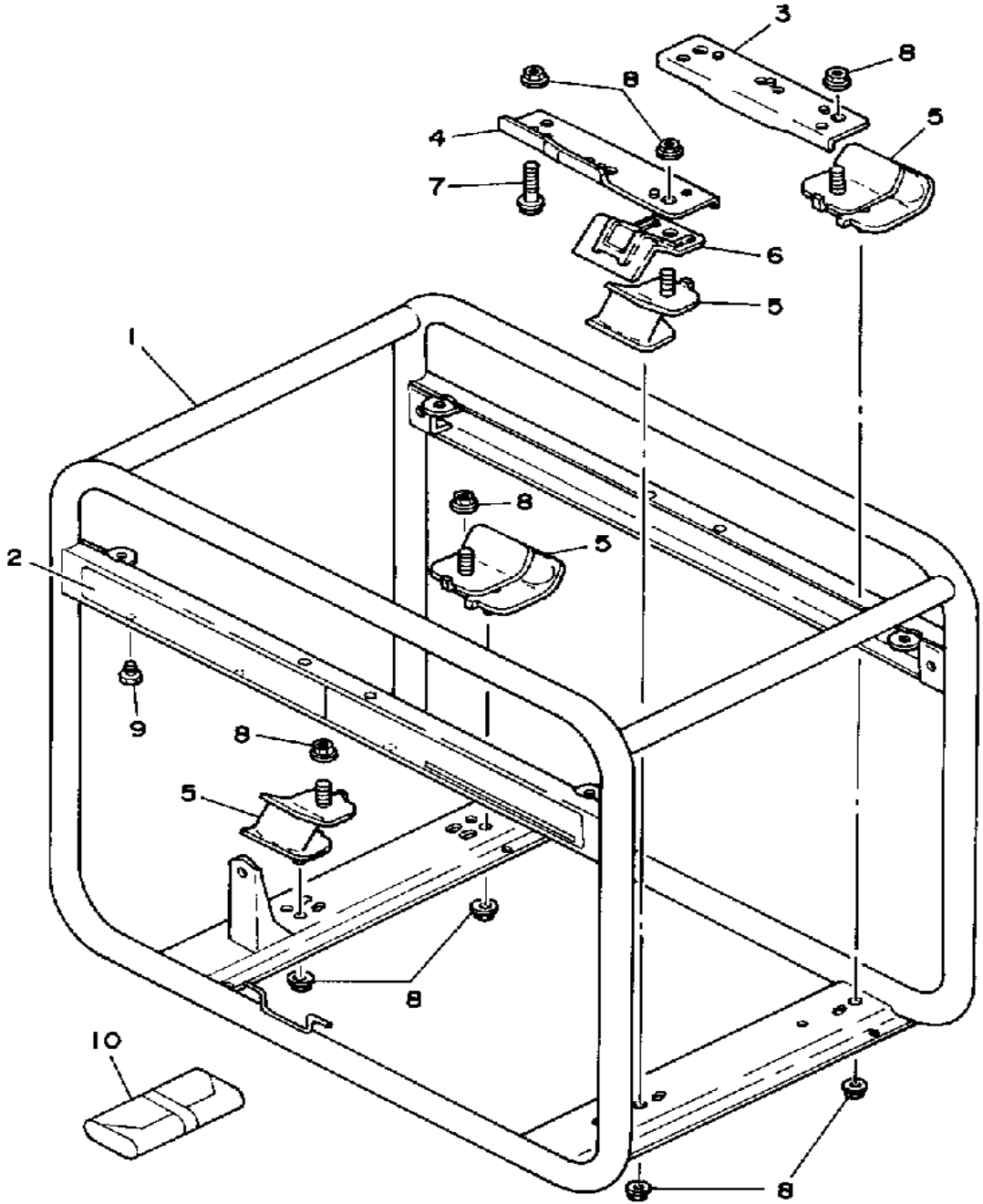


7EL110-5120

Ref. No.	Part Number	Description	Qty	Remarks
28	92990-06600-00	WASHER, PLATE	2	
29	73A-85720-01-00	OIL LVL GAUGE ASSEMBLY ..	1	
30	93210-32172-00	. O-RING	1	
31	73A-85724-00-00	CLAMP	1	
32	(90105-06291-00)	BOLT, WASHER BASED	1	
33	90465-06038-00	CLAMP	2	
34	(90105-06291-00)	BOLT, WASHER BASED	2	
35	73A-82370-00-00	PLUG CAP ASSEMBLY	1	
36	5G3-82372-00-00	SEAL, PLUG CAP	1	
37	73A-86120-00-00	SOLENOID VALVE ASSEMBLY	1	
38	97011-06010-00	BOLT	1	
39	92995-06100-00	WASHER, SPRING	1	

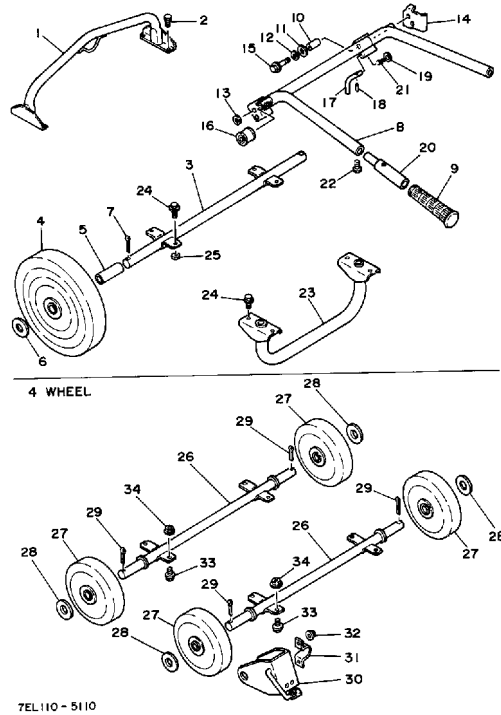
FRAME (EC4000DV)

Ref. No.	Part Number	Description	Qty	Remarks
1	7EL-22810-00-00	FRAME	1	
2	7EL-24156-00-00	INDCTR, STARTER LVR (DV) .	1	
3	73A-11011-00-00	BRACKET, ENGINE 1	1	
4	73A-11012-00-00	BRACKET, ENGINE 2	1	
5	73A-22891-00-00	INSULATOR, MOUNTING	4	
6	73A-22892-00-00	PROTECTOR, MOUNTING	1	
7	95811-10040-00	BOLT, FLANGE (95801-10040) .	4	
8	95701-10500-00	NUT, FLANGE (95702-10500) ..	12	
9	95811-06010-00	BOLT, FLANGE	2	
10	79W-W2810-00-00	TOOL KIT	1	



7EL110-5090

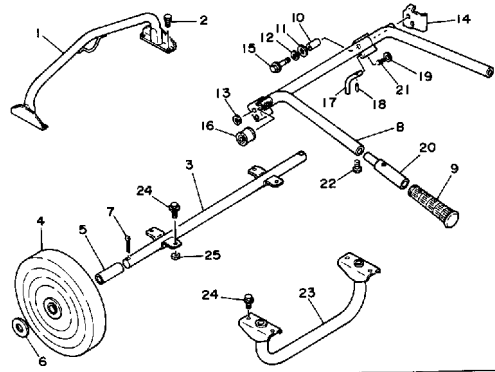
WHEEL-HANDLE (EC4000DV)



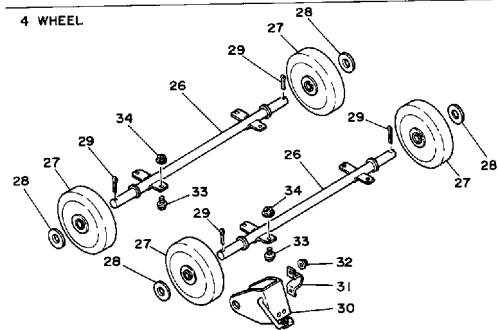
Ref. No.	Part Number	Description	Qty	Remarks
1	7EL-1111E-01-00	HANGER ENGINE 2	1	
2	90159-06069-00	SCREW, WITH WASHER	4	
3	73A-25381-10-00	AXLE, WHEEL (REAR)	1	
4	73A-22846-10-00	CASTER 2	2	
5	73A-25322-10-00	INSERT, SHAFT	2	
6	92901-20600-00	WASHER, WAVE	2	
7	91401-30040-00	PIN, COTTER	2	
8	7EL-26100-00-00	HANDLE ASSEMBLY	1	
9	801-26241-01-00	GRIP	2	
10	90387-080K6-00	COLLAR	2	
11	90206-12052-00	WASHER, WAVE	2	
12	90201-08730-00	WASHER, PLATE	2	
13	90201-08020-00	WASHER, PLATE	1	
14	73A-26224-10-00	BRACKET, HANDLE 2	1	
15	95811-08045-00	BOLT, FLANGE (JN5)	2	
16	73A-26114-10-00	STOPPER 1	2	
17	73A-26112-10-00	BAR, HANDLE	1	
18	91609-30016-00	PIN, SPRING	1	
19	90201-08624-00	WASHER, PLATE	1	
20	73A-26147-10-00	BOOT, HANDLE	2	
21	90501-10264-00	SPRING, COMPRESSION	1	
22	97313-06016-00	BOLT, HEXAGON	2	
23	73A-27111-10-35	STAND, MAIN	1	SILVER
24	95811-08016-00	BOLT, FLANGE	8	
25	95701-08500-00	NUT, FLANGE	4	
26	73A-25181-10-00	AXLE, WHEEL (FRONT)	2	
27	73A-22845-10-00	CASTER 1	4	
28	92901-20600-00	WASHER, WAVE	4	
29	91401-30040-00	PIN, COTTER	4	

CONTINUED ON NEXT FRAME ►

WHEEL-HANDLE (EC4000DV)



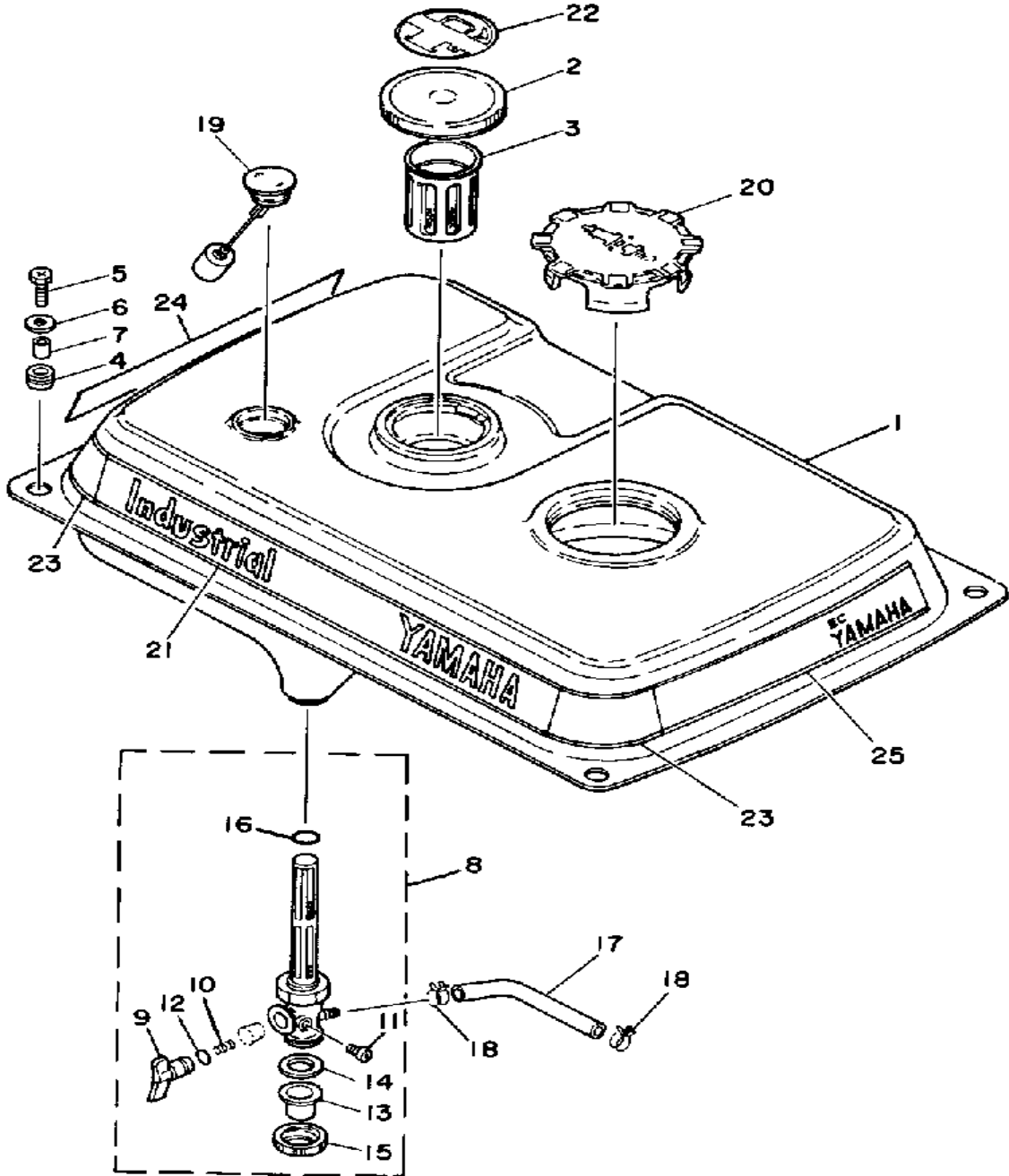
4 WHEEL



7EL110-5110

Ref. No.	Part Number	Description	Qty	Remarks
30	73A-2510E-10-00	BRAKE ASSEMBLY	1	
31	90465-20102-00	CLAMP	1	
32	95701-08500-00	NUT, FLANGE	2	
33	95811-08016-00	BOLT, FLANGE	8	
34	95701-08500-00	NUT, FLANGE	8	

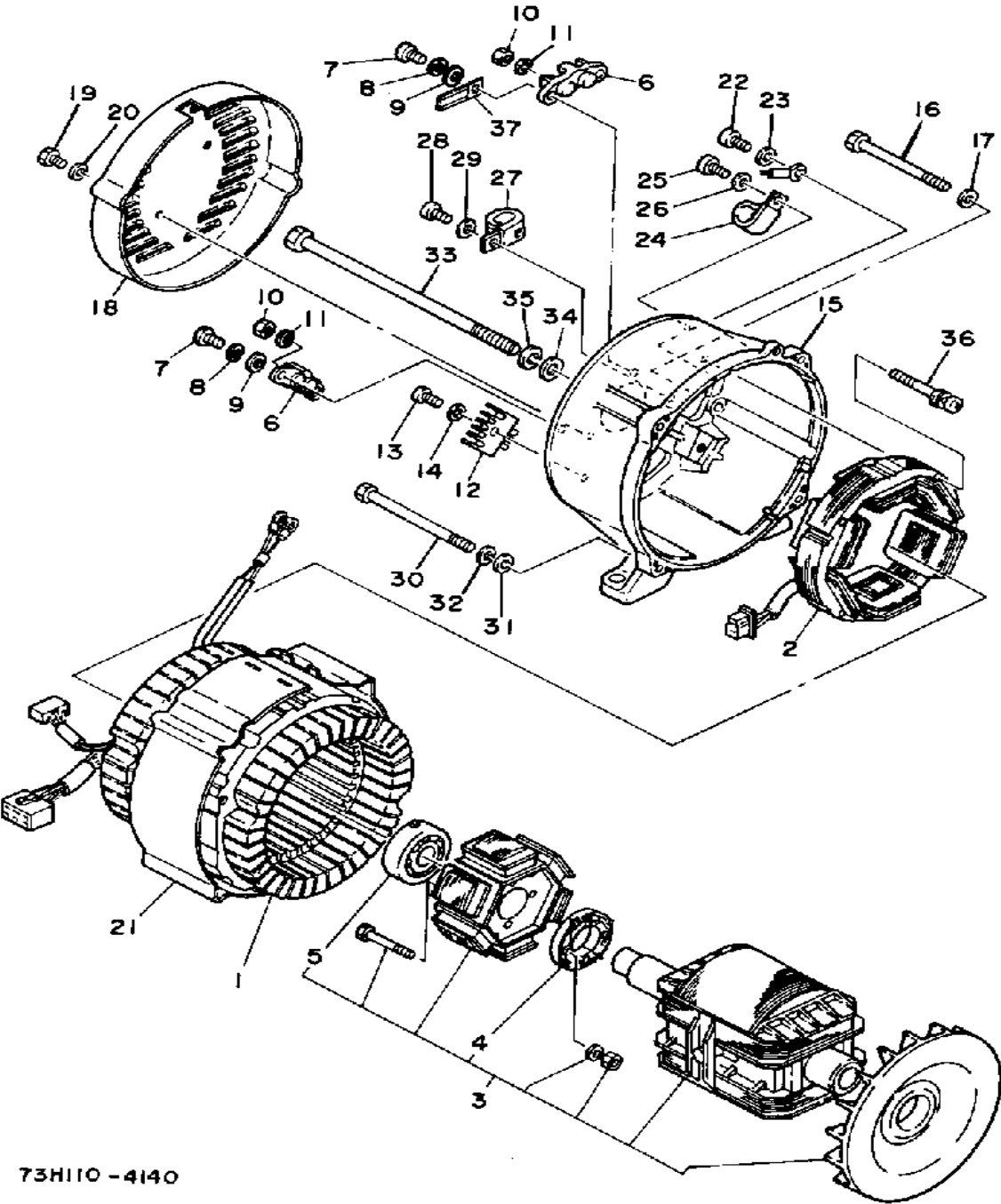
FUEL TANK (EC4000DV)



7EM110-5110

Ref. No.	Part Number	Description	Qty	Remarks
1	7EJ-24110-00-86	FUEL TANK (73A-24110-00-86)	1	NAIAD BLUE
2	7V5-24610-01-00	CAP ASSEMBLY	1	
3	630-24167-00-00	STRAINER	1	
4	90480-12475-00	GROMMET	4	
5	90153-06007-00	SCREW, HEXAGON (90153-06025)	4	
6	90201-06067-00	WASHER, PLATE	4	
7	90387-08747-00	COLLAR	4	
8	73A-24500-02-00	FUEL COCK ASSEMBLY	1	
9	73A-24524-00-00	. LEVER, COCK	1	
10	2W6-24529-00-00	. SPRING	1	
11	2N3-24535-00-00	. SCREW, LVR FITTING	1	
12	2N3-24528-00-00	. GASKET	1	
13	7EG-24521-00-00	. CUP, FILTER	1	7EL-301321~
	7G5-24521-00-00	. CUP, FILTER	1	
14	4X8-24565-00-00	. GASKET	1	7EL-301321~
	7G5-24522-00-00	. GASKET	1	
15	7G5-24531-00-00	. NUT	1	
16	73A-24528-00-00	. GASKET	1	
17	73A-24311-00-00	PIPE, FUEL 1	1	
18	90467-11044-00	CLIP	2	
19	73A-85710-01-00	FUEL LEVEL GAUGE ASSEMBLY	1	
20	73A-11112-00-00	PLUG, BLIND	1	
21	7EJ-24161-00-00	EMBLEM 1	1	
22	73E-21788-00-00	GRAPHIC	1	
23	7EJ-24235-00-00	MARK 1	2	
24	7EL-24162-00-00	EMBLEM 2	1	
25	7EL-24164-00-00	EMBLEM 4	1	

GENERATOR (EC4000DV)

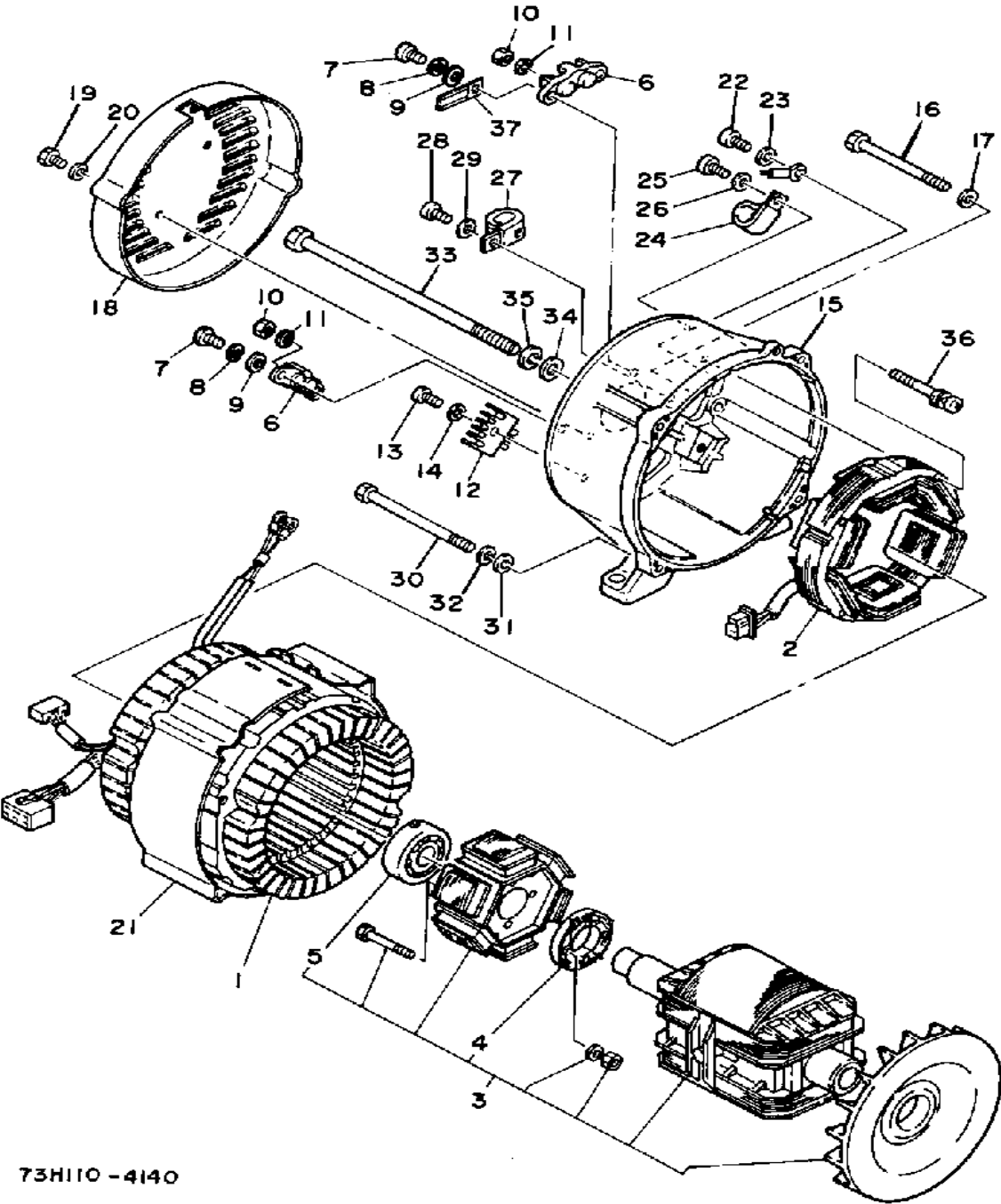


73H110-4140

Ref. No.	Part Number	Description	Qty	Remarks
1	73R-87150-00-00	STATOR ASSEMBLY	1	
2	73A-8712A-01-00	STATOR EXITER ASSEMBLY	1	
3	73K-87160-01-00	ROTOR ASSEMBLY	1	
4	73A-87109-09-00	. ROTOR REPAIR KIT (73A-87115-00)	1	
5	93306-37202-00	. BEARING	1	
6	7H9-87220-00-00	TERMINAL ASSEMBLY SUB-ASSEMBLY 1	2	SINGLE DUAL/V
7	98580-05016-00	SCREW, PAN HEAD	4	
8	92990-05100-00	WASHER, SPRING	4	
9	92901-05600-00	WASHER, PLATE	4	
10	95311-05700-00	NUT	4	
11	92990-05100-00	WASHER, SPRING	4	
12	7H5-87105-01-00	RECTIFIER ASSEMBLY 1	1	
13	98580-05016-00	SCREW, PAN HEAD	1	
14	92901-05600-00	WASHER, PLATE	1	
15	73A-87131-00-00	FRAME, REAR	1	
16	97021-06125-00	BOLT, HEXAGON (97322-06125)	2	
17	92990-06600-00	WASHER, PLATE	2	
18	73A-87174-00-86	COVER, REAR END (73A-87174-00)	1	
19	97011-06010-00	BOLT	2	
20	90201-061A5-00	WASHER, PLATE	2	
21	73K-87153-00-00	COVER, STATOR	1	
22	98580-05010-00	SCREW, PAN HEAD	1	
23	92901-05600-00	WASHER, PLATE	1	
24	90465-08146-00	CLAMP	1	
25	98580-05010-00	SCREW, PAN HEAD	1	
26	92901-05600-00	WASHER, PLATE	1	
27	90462-05061-00	CLAMP	1	

CONTINUED ON NEXT FRAME ►

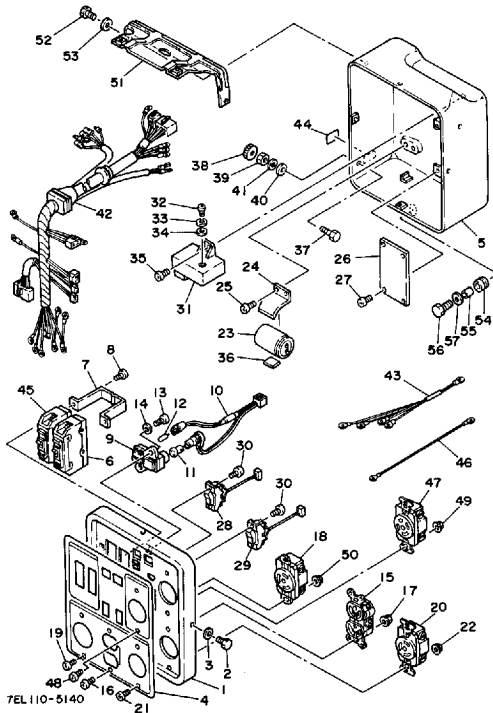
GENERATOR (EC4000DV)



Ref. No.	Part Number	Description	Qty	Remarks
28	98580-05010-00	SCREW, PAN HEAD	1	
29	92901-05600-00	WASHER, PLATE	1	
30	97322-06105-00	BOLT, HEXAGON	4	
31	92990-06600-00	WASHER, PLATE	4	
32	92995-06100-00	WASHER, SPRING	4	
33	97022-12255-00	BOLT, HEXAGON	1	
34	92990-12600-00	WASHER, PLATE	1	
35	92901-12100-00	WASHER, SPRING	1	
36	90159-05091-00	SCREW, WITH WASHER	4	
37	90462-05061-00	CLAMP	1	

73H110-4140

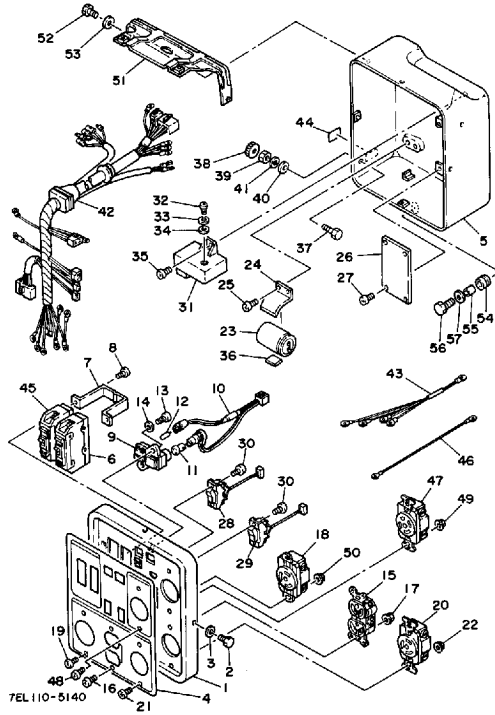
CONTROL BOX (~7EL-300505 EC4000DV SE



Ref. No.	Part Number	Description	Qty	Remarks
1	7EL-87211-20-86	BOX, CONTROL	1	NAIAD BLUE
2	97313-05010-00	BOLT, HEXAGON	4	
3	92901-05600-00	WASHER, PLATE	4	
4	7EL-87217-20-00	PLATE, CONTROL (DV)	1	
5	73F-87213-N0-86	COVER, CONTROL BOX (DV) .	1	NAIAD BLUE
6	73H-87204-10-00	BREAKER	1	32.0A KM-1G
7	73H-87244-00-00	HOLDER, BREAKER	1	
8	98511-04006-00	SCREW, PAN HEAD (98501-04005)	2	
9	73A-87253-00-00	HOLDER, SOCKET	1	
10	73F-83520-20-00	SOCKET CORD ASSEMBLY (DV)	1	
11	705-84347-00-00	BULB, PILOT LAMP	1	
12	7X9-83531-00-00	BULB, PILOT	1	
13	98580-04008-00	SCREW, PAN HEAD	2	
14	92901-04600-00	WASHER, PLATE	2	
15	73H-87221-90-00	CONSENT 1 (P&S 5-20R)	1	P&S 5-20R USA
16	98580-04008-00	SCREW, PAN HEAD	2	
17	95701-04500-00	NUT, FLANGE	2	
18	73H-87222-90-00	CONSENT 2	1	P&S 15-30R USA
19	98580-04008-00	SCREW, PAN HEAD	2	
20	73H-87221-70-00	CONSENT 1	1	P&S 15-20OR US
21	98580-04008-00	SCREW, PAN HEAD	2	
22	95701-04500-00	NUT, FLANGE	2	
23	78R-87107-00-00	CONDENSER ASSEMBLY	1	
24	73A-87216-00-00	HOLDER, CONDENSER	1	
25	98580-05010-00	SCREW, PAN HEAD	2	
26	73A-87221-21-00	UNAVAILABLE IN PRICE BOOK	1	
27	98511-04006-00	SCREW, PAN HEAD (98501-04005)	4	

CONTINUED ON NEXT FRAME ►

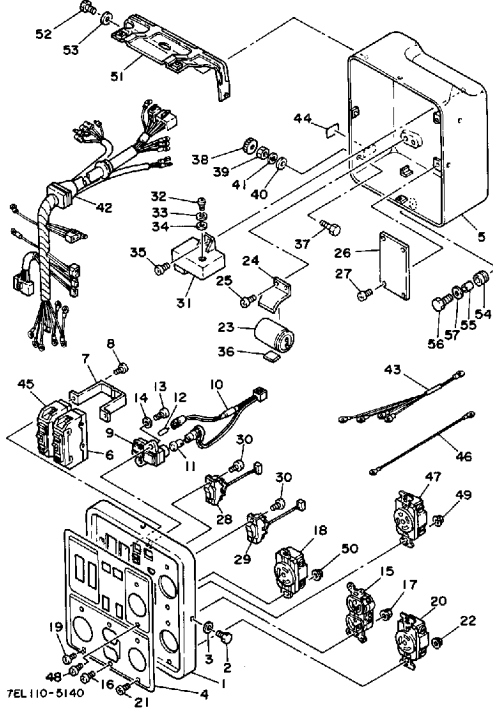
CONTROL BOX (~7EL-300505 EC4000DV SE



Ref. No.	Part Number	Description	Qty	Remarks
28	7EL-82550-20-00	STOP SWITCH ASSEMBLY ...	1	
29	7AV-82567-00-00	SWITCH, THROTTLE	1	
30	98580-03008-00	SCREW, PAN HEAD	4	
31	7X6-87286-00-00	SLOW DOWN UNIT ASSEMBLY	1	
32	98580-05012-00	SCREW, PAN HEAD	2	
33	92990-05100-00	WASHER, SPRING	2	
34	92901-05600-00	WASHER, PLATE	2	
35	98580-06012-00	SCREW, PAN HEAD	1	
36	7H5-87219-00-00	DAMPER CONTROL	1	
37	90101-06484-00	BOLT	1	
38	90179-06300-00	NUT	1	
39	95380-06700-00	NUT	1	
40	92990-06600-00	WASHER, PLATE	1	
41	92995-06100-00	WASHER, SPRING	1	
42	7EL-87226-20-00	WIRE HARNESS	1	
43	7EL-87138-20-00	LEAD WIRE ASSEMBLY 1	1	
44	73A-87261-00-00	EMBLEM 1	1	
45	7N7-87204-00-00	BREAKERCIRCUIT (60HZ)	1	16.0A KM-1G
46	73H-87224-90-00	WIRE, LEAD 2	1	
47	73H-87222-70-00	RECEPTACLE 2	1	P&S 114-2OR US
48	98580-04008-00	SCREW, PAN HEAD	2	
49	95701-04500-00	NUT, FLANGE	2	
50	95701-04500-00	NUT, FLANGE	2	
51	73A-22835-00-00	STAY, CONTROL BOX	1	
52	97013-06012-00	BOLT	2	
53	90201-061A5-00	WASHER, PLATE	2	
54	90480-12475-00	GROMMET	1	
55	90387-08747-00	COLLAR	1	
56	97011-06020-00	BOLT	1	

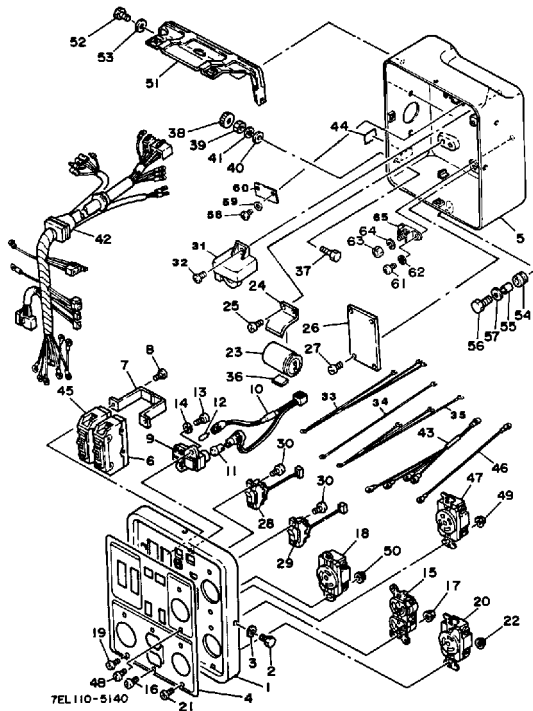
CONTINUED ON NEXT FRAME ►

CONTROL BOX (~7EL-300505 EC4000DV SE



Ref. No.	Part Number	Description	Qty	Remarks
57	90201-06067-00	WASHER, PLATE	1	

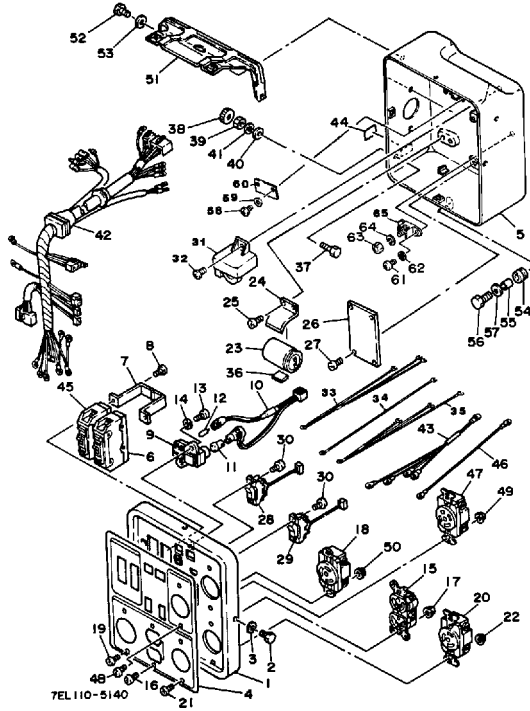
CONTROL BOX (7EL-300506~ EC4000DV SE



Ref. No.	Part Number	Description	Qty	Remarks
1	7EL-87211-20-86	BOX, CONTROL	1	NAIAD BLUE
2	97313-05010-00	BOLT, HEXAGON	4	
3	92901-05600-00	WASHER, PLATE	4	
4	7EL-87217-20-00	PLATE, CONTROL (DV)	1	
5	73F-87213-10-86	COVER CONTROL BOX	1	NAIAD BLUE
6	73H-87204-10-00	BREAKER	1	32.0A KM-1G
7	73H-87244-00-00	HOLDER, BREAKER	1	
8	98511-04006-00	SCREW, PAN HEAD (98501-04005)	2	
9	73A-87253-00-00	HOLDER, SOCKET	1	
10	73F-83520-20-00	SOCKET CORD ASSEMBLY (DV)	1	
11	705-84347-00-00	BULB, PILOT LAMP	1	
12	7X9-83531-00-00	BULB, PILOT	1	
13	98580-04008-00	SCREW, PAN HEAD	2	
14	92901-04600-00	WASHER, PLATE	2	
15	73H-87221-90-00	CONSENT 1 (P&S 5-20R)	1	P&S 502OR USA
16	98580-04008-00	SCREW, PAN HEAD	2	
17	95701-04500-00	NUT, FLANGE	2	
18	73H-87222-90-00	CONSENT 2	1	P&S 1505 USA
19	98580-04008-00	SCREW, PAN HEAD	2	
20	73H-87221-70-00	CONSENT 1	1	P&S 15-2OR US
21	98580-04008-00	SCREW, PAN HEAD	2	
22	95701-04500-00	NUT, FLANGE	2	
23	78R-87107-00-00	CONDENSER ASSEMBLY	1	
24	73A-87216-00-00	HOLDER, CONDENSER	1	
25	98580-05010-00	SCREW, PAN HEAD	2	
26	73A-8722A-21-00	VOLTAGE REGLTR ASSEMBLY	1	
27	98511-04006-00	SCREW, PAN HEAD (98501-04005)	1	

CONTINUED ON NEXT FRAME ►

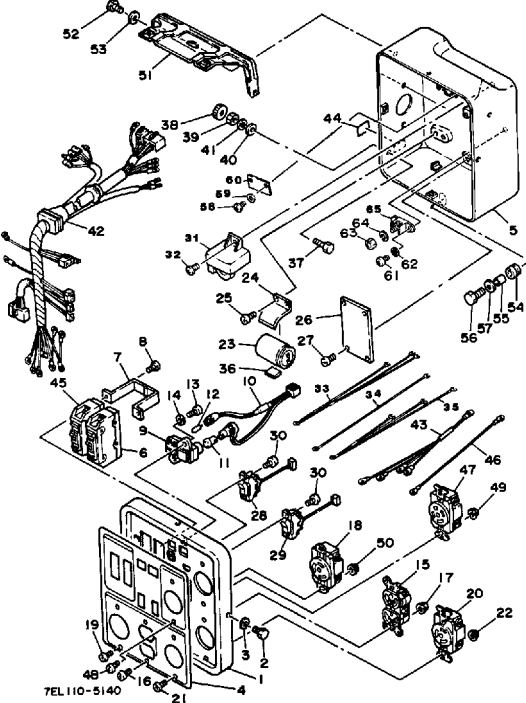
CONTROL BOX (7EL-300506~ EC4000DV SE



Ref. No.	Part Number	Description	Qty	Remarks
28	7EL-82550-20-00	STOP SWITCH ASSEMBLY ...	1	
29	7AV-82567-00-00	SWITCH, THROTTLE	1	
30	98580-03008-00	SCREW, PAN HEAD	4	
31	7AV-87286-00-00	SLOW DOWN UNIT ASSEMBLY	1	
32	98580-06012-00	SCREW, PAN HEAD	2	
33	7EL-87225-20-00	WIRE, LEAD 3	1	
34	7EL-8722Y-20-00	WIRE, LEAD 5	1	
35	73H-87224-90-00	WIRE, LEAD 2	1	
36	7H5-87219-00-00	DAMPER CONTROL	1	
37	90101-06484-00	BOLT	1	
38	90179-06300-00	NUT	1	
39	95380-06700-00	NUT	1	
40	92990-06600-00	WASHER, PLATE	1	
41	92995-06100-00	WASHER, SPRING	1	
42	7EL-87226-21-00	WIRE HARNESS (DV)	1	
43	7EL-87138-20-00	LEAD WIRE ASSEMBLY 1	1	
44	73A-87261-00-00	EMBLEM 1	1	
45	7N7-87204-00-00	BREAKERCIRCUIT (60HZ)	1	16.0A KM-1G
46	73H-87224-90-00	WIRE, LEAD 2	1	
47	73H-87222-70-00	RECEPTACLE 2	1	P&S 114-2OR US
48	98580-04008-00	SCREW, PAN HEAD	2	
49	95701-04500-00	NUT, FLANGE	2	
50	95701-04500-00	NUT, FLANGE	2	
51	73A-22835-00-00	STAY, CONTROL BOX	1	
52	97013-06012-00	BOLT	2	
53	90201-061A5-00	WASHER, PLATE	2	
54	90480-12475-00	GROMMET	1	
55	90387-08747-00	COLLAR	1	
56	97011-06020-00	BOLT	1	

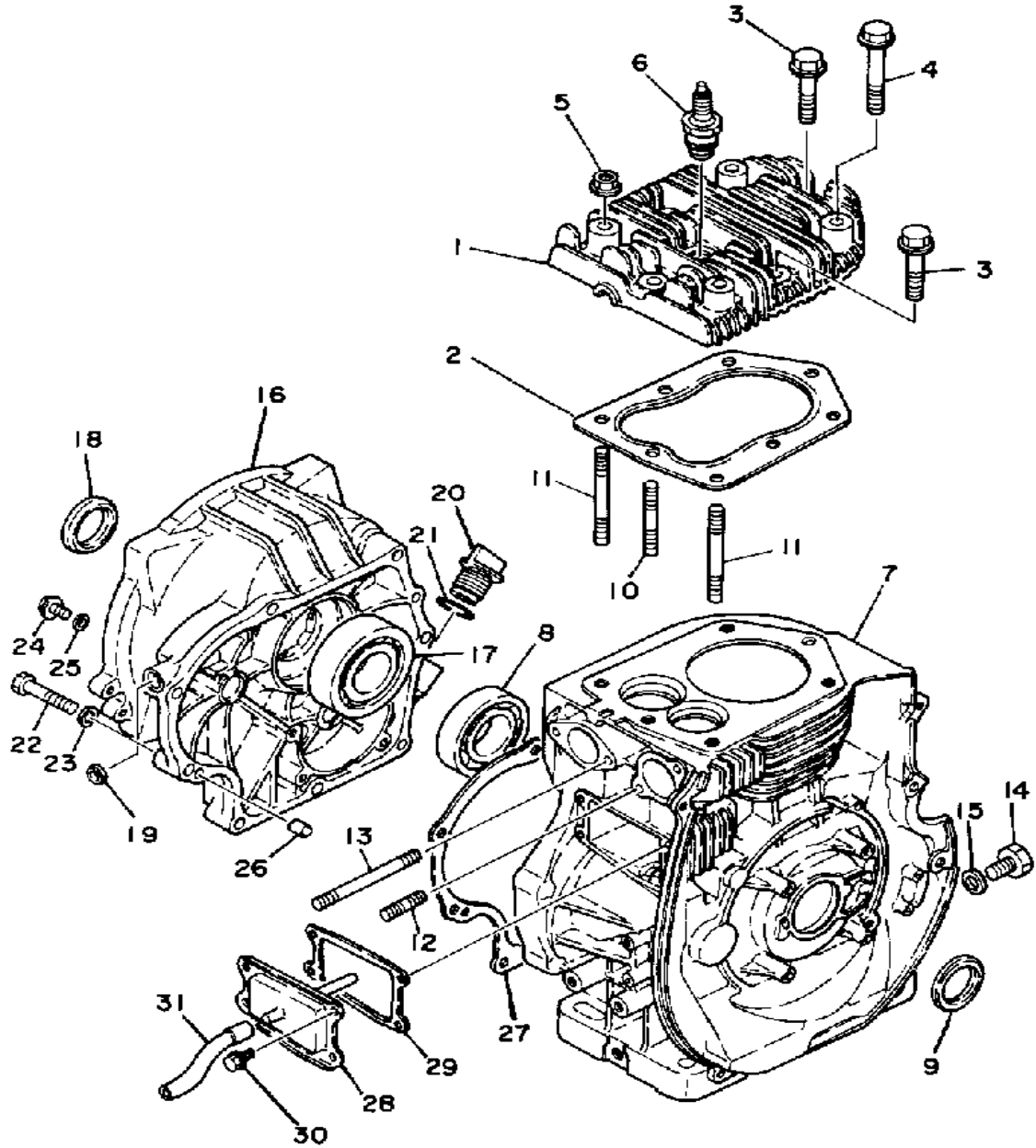
CONTINUED ON NEXT FRAME ►

CONTROL BOX (7EL-300506~ EC4000DV SE



Ref. No.	Part Number	Description	Qty	Remarks
57	90201-06067-00	WASHER, PLATE	1	
58	98511-04006-00	SCREW, PAN HEAD (98501-04005)	2	
59	92901-04600-00	WASHER, PLATE	2	
60	78N-87249-00-00	PLATE	1	
61	98511-04012-00	SCREW, PAN HEAD	2	
62	92901-04600-00	WASHER, PLATE	2	
63	95311-05700-00	NUT	1	
64	92990-05200-00	WASHER, PLAIN	1	
65	73A-87220-00-00	TERMINAL ASSEMBLY	1	

CYLINDER - CRANKCASE (EC5000DV(E

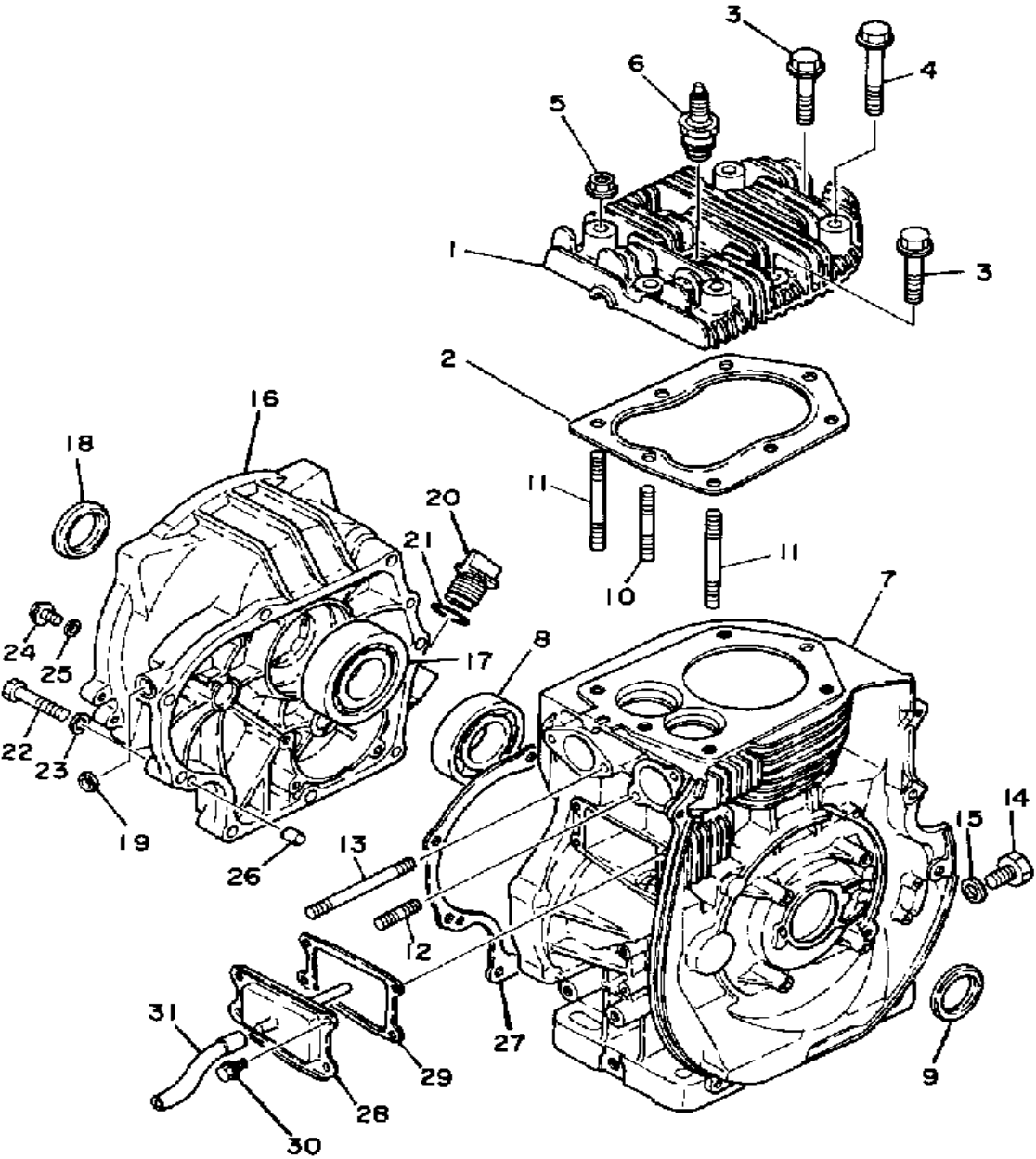


73A010-4010

Ref. No.	Part Number	Description	Qty	Remarks
1	73A-11111-00-00	HEAD, CYLINDER 1	1	
2	73A-11181-00-00	GASKET, CYLINDER HEAD 1 .	1	
3	95811-10050-00	BOLT, FLANGE (95812-10050-00)	3	
4	95811-10070-00	BOLT, flange (95812-10070-00)	2	
5	95701-10500-00	NUT, FLANGE (95702-10500) ..	3	
6	NGK-BPR6H-S0-00	PLUG, SPARK (NGK BP6HS) ..	1	
7	73A-15111-00-00	CRANKCASE 1 (DV)	1	UR
	73A-15111-20-00	CRANKCASE 1	1	UR
8	93306-30709-00	BEARING	1	
9	93102-34320-00	OIL SEAL, SD-TYPE	1	
10	90116-10464-00	BOLT, STUD (90116-10435) ...	1	
11	90116-10463-00	BOLT, STUD (90116-10434) ...	2	
12	95922-08620-00	BOLT, STUD	2	
13	95922-08685-00	BOLT, STUD	2	
14	97001-12020-00	BOLT	1	
15	812-11198-00-00	GASKET	1	
16	73A-15411-00-00	COVER, CRANKCASE L	1	
17	93306-20712-00	BEARING	1	
18	93102-35319-00	OIL SEAL	1	
19	93109-08050-00	OIL SEAL	1	
20	796-15363-01-00	PLUG, OIL	1	
21	93210-22344-00	O-RING	1	
22	97313-08040-00	BOLT, HEXAGON (97322-08040)	8	
23	92990-08600-00	WASHER, PLATE	8	
24	95023-08012-00	BOLT	1	
25	90201-082A6-00	WASHER, PLATE	1	
26	93608-12063-00	PIN, DOWEL	2	
27	73A-15451-00-00	GASKET, CRCS COVER	1	

CONTINUED ON NEXT FRAME ►

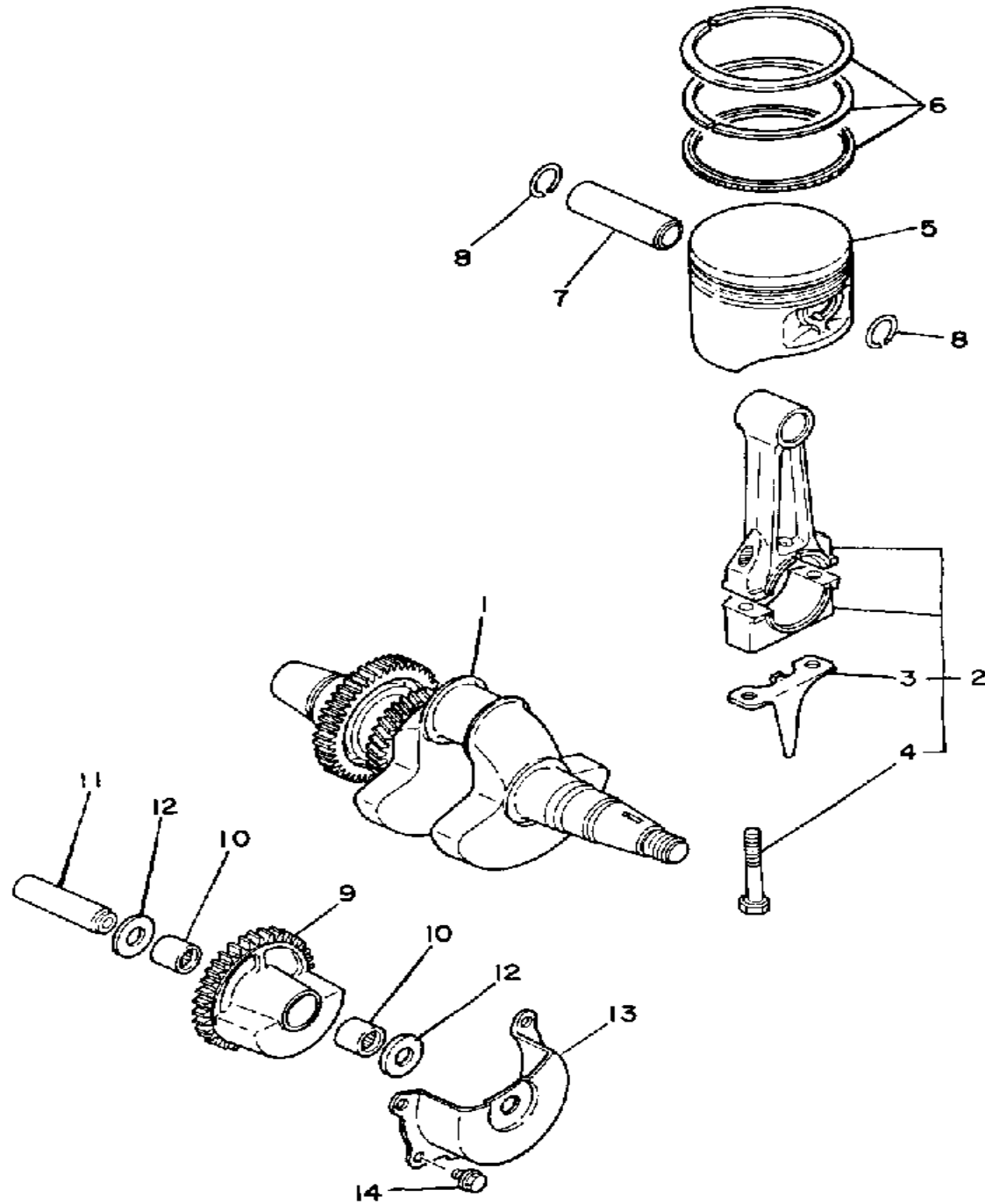
CYLINDER - CRANKCASE (EC5000DV(E



Ref. No.	Part Number	Description	Qty	Remarks
28	73A-11168-00-00	COVER, BREATHER	1	
29	73A-11169-00-00	GASKET, BRTHR COVER	1	
30	95811-06012-00	BOLT, FLANGE	4	
31	73A-15373-00-00	PIPE, BREATHER	1	

73A010-4010

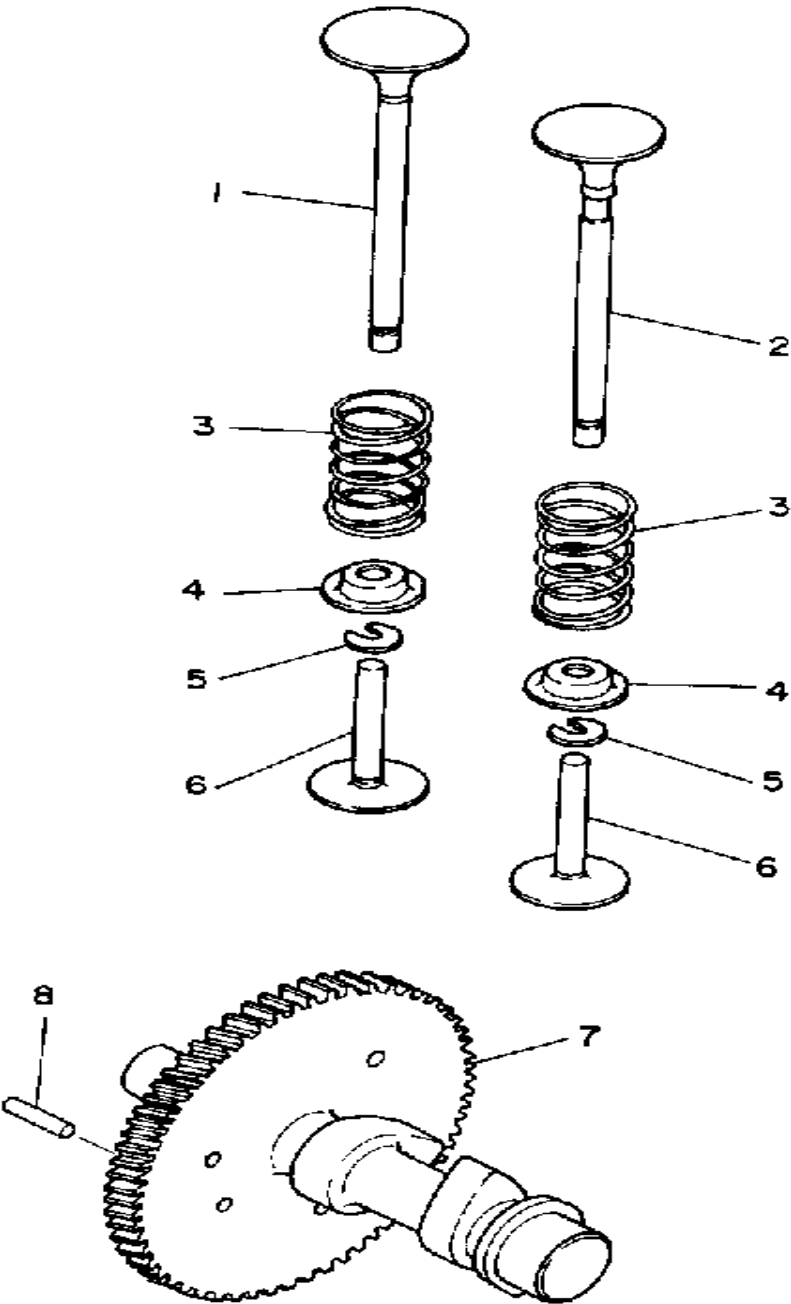
CRANKSHAFT - PISTON (EC5000DV(E))



Ref. No.	Part Number	Description	Qty	Remarks
1	73A-11410-00-00	CRANKSHAFT (73A-11400-00)	1	
2	73A-11650-00-00	CONNECTING ROD ASSEMBLY	1	
3	73A-11657-00-00	. SPLASHER, OIL	1	
4	73A-11654-00-00	. BOLT, CON ROD	2	
5	73A-11631-00-95	PISTON STD	1	
	73A-11635-00-00	PISTON 1 O/S 0.25 (0.25MM O/S)	1	ALT. PART
	73A-11636-00-00	PISTON 2 O/S 0.50 (0.50MM O/S)	1	ALT. PART
6	73A-11610-00-00	PISTON RINGSET STD	1	
	73A-11610-10-00	PISTON RINGSET 1ST (1ST O/S)	1	ALT. PART
	73A-11610-20-00	PISTON RINGSET 2ND (2ND O/S)	1	ALT. PART
7	73A-11633-00-00	PIN, PISTON	1	
8	93450-22027-00	CIRCLIP	2	
9	73A-11454-00-00	WEIGHT 1	1	
10	93317-21543-00	BEARING, CYLINDER.# 7	2	
11	73A-11455-00-00	SHAFT 1	1	
12	90201-152H7-00	WASHER, PLATE	2	
13	73A-11444-00-00	HOUSING	1	
14	95811-06012-00	BOLT, FLANGE	4	

7EM110-5020

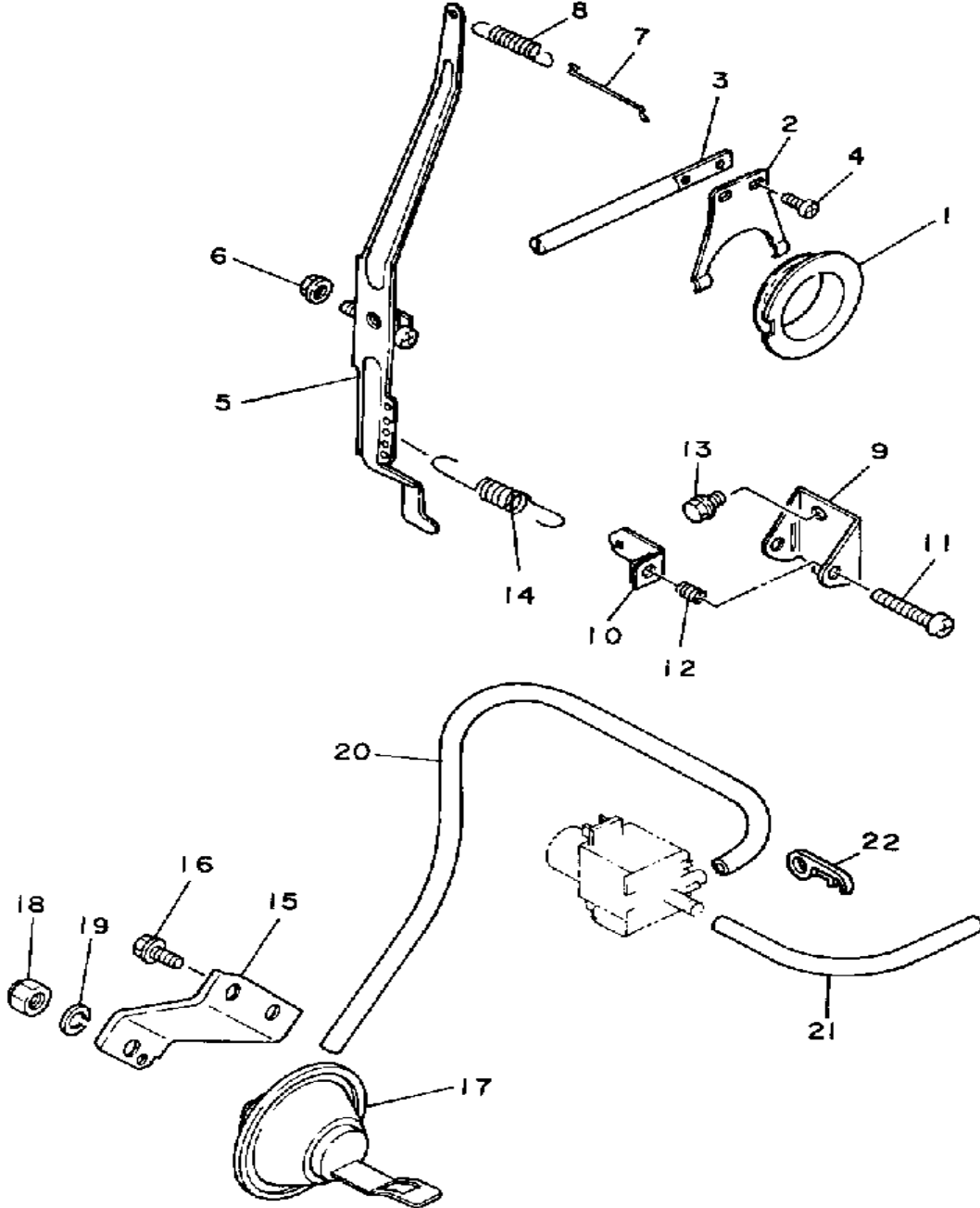
CAMSHAFT - VALVE (EC5000DV(E))



Ref. No.	Part Number	Description	Qty	Remarks
1	73A-12111-10-00	VALVE, INTAKE (73A-12111-00)	1	
	73A-12111-10-00	VALVE, INTAKE (73A-12111-00)	2	
2	73A-12121-10-00	VALVE, EXHAUST (73A-12121-00)	1	
3	90501-29789-00	SPRING, COMPRESSION	2	
4	73A-12117-00-00	RETAINER, VALVE SPR	2	
5	73A-12118-00-00	COTTER, VALVE	2	
6	73A-12153-00-00	LIFTER, VALVE	2	
7	73A-W1211-00-00	CAM SHAFT ASSEMBLY	1	
8	93605-23164-00	PIN, DOWEL	1	

73A010-4040

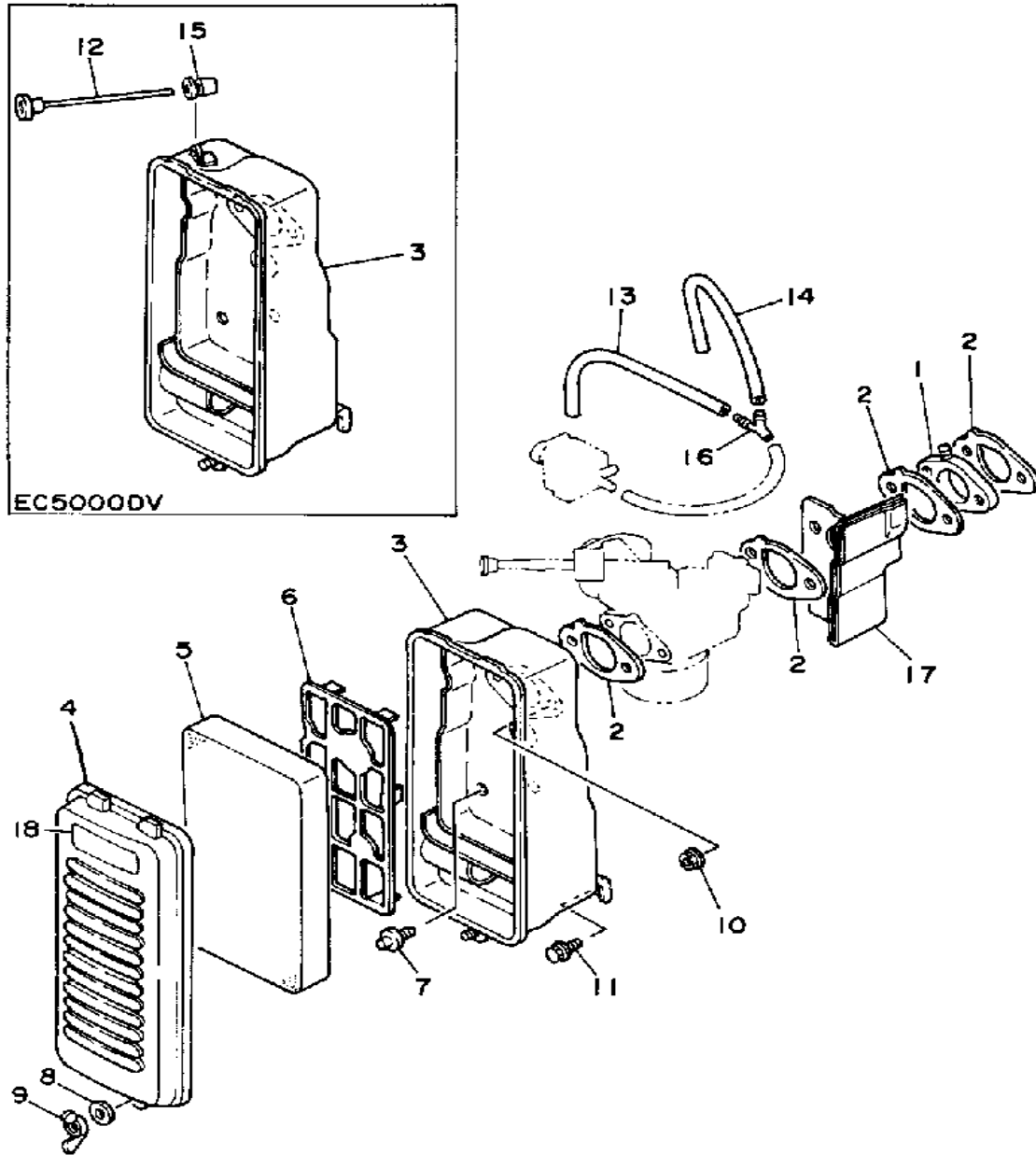
GOVERNOR (EC5000DV(E))



Ref. No.	Part Number	Description	Qty	Remarks
1	73A-11917-00-00	COLLAR	1	
2	73A-11922-00-00	FORK, GOVERNOR	1	
3	73A-11921-00-00	SHAFT, GOVERNOR	1	
4	98580-04008-00	SCREW, PAN HEAD	2	
5	73A-11924-11-00	ARM, GOVERNOR (73A-11924-10)	1	
6	95701-06500-00	NUT, FLANGE	1	
7	7A9-11928-01-00	ROD, LINK (7A9-11928-00)	1	
8	90506-07355-00	SPRING, TENSION (90506-05159)	1	
9	73A-11941-00-00	STAY	1	
10	73A-11931-00-00	LEVER	1	
11	98580-06035-00	SCREW, PAN HEAD	1	
12	90501-10264-00	SPRING, COMPRESSION	1	
13	95811-06010-00	BOLT, FLANGE	1	
14	90506-11364-00	SPRING, TENSION	1	
15	73A-11998-00-00	BRACKET 1	1	
16	95811-06012-00	BOLT, FLANGE	2	
17	7X6-11960-00-00	DIAPHRAGM ASSEMBLY	1	
18	95303-08700-00	NUT	1	
19	92990-08100-00	WASHER	1	
20	90445-082A9-00	HOSE	1	UR
	90445-08796-00	HOSE	1	UR EC5000DVE
21	90445-08654-00	HOSE	1	UR EC5000DVE
	90445-08676-00	HOSE (DV)	1	UR
22	90464-07015-00	CLAMP	1	

7EM110-5030

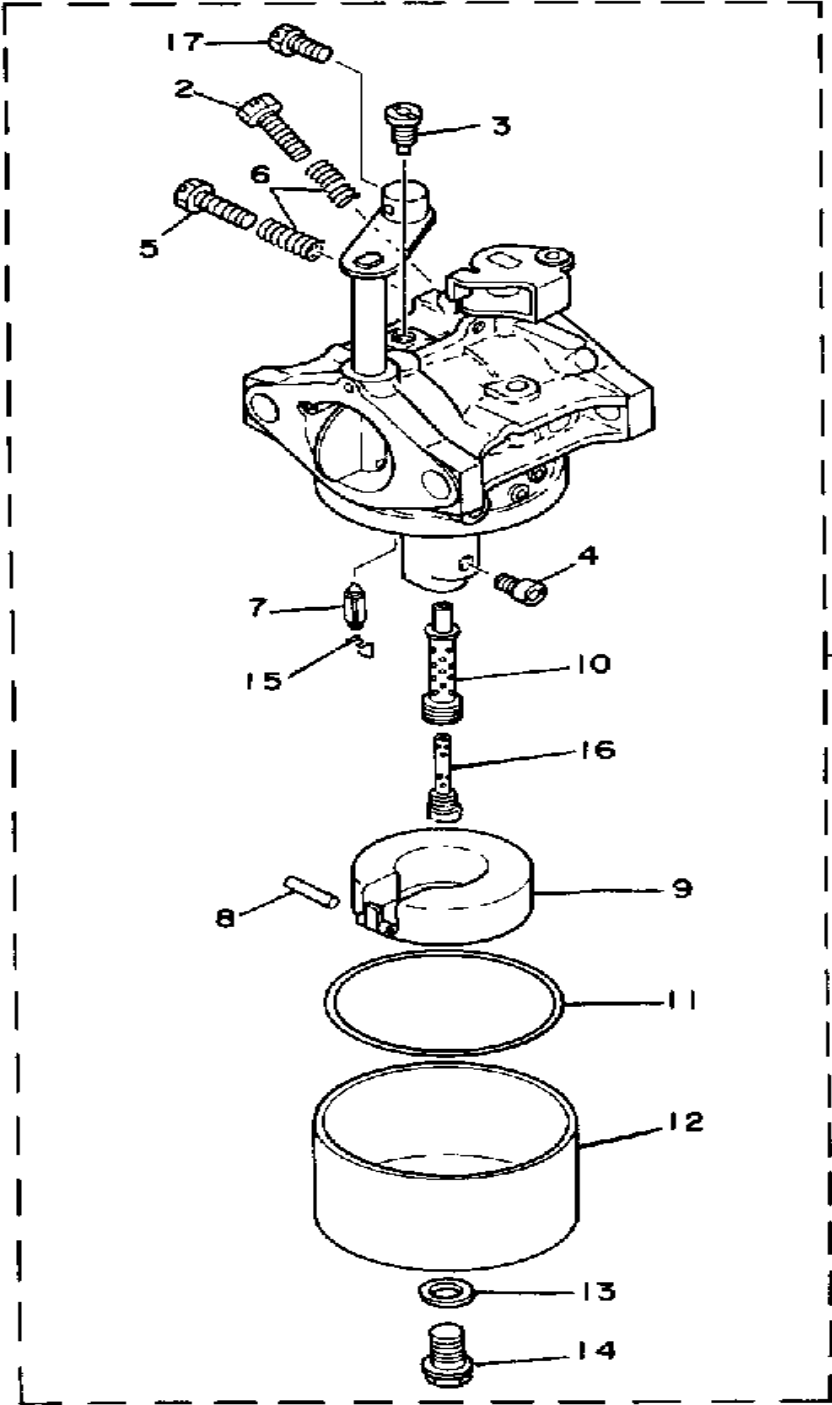
AIR FILTER (EC5000DV(E))



Ref. No.	Part Number	Description	Qty	Remarks
1	73A-13555-10-00	MANIFOLD, INTAKE	1	
2	73A-13556-00-00	GASKET, MANIFOLD	4	
3	73A-14411-02-35	CASE, AIR CLEANER 1 (DV) ..	1	UR SILVER
	73A-14411-11-35	CASE, AIR CLEANER 1	1	UR SILVER EC5000DVE
4	7EL-14402-00-00	CAP ASSEMBLY, AIR CLEANR	1	
5	73A-14451-02-00	ELEMENT, AIR CLEANR	1	
6	73A-14468-00-00	PLATE, ELEMENT FIT.	1	
7	73A-14435-00-00	GROMMET	1	
8	90201-065F3-00	WASHER, PLATE	1	
9	90175-06008-00	NUT, WING	1	
10	95701-08500-00	NUT, FLANGE	2	
11	95811-08016-00	BOLT, FLANGE	1	
12	73A-14583-00-00	LEVER, CHOKE	1	
13	90445-08654-00	HOSE	1	EC5000DVE
14	90445-08797-00	HOSE	1	EC5000DVE
15	796-14445-00-00	GROMMET	1	
16	90413-05013-00	WAY 3	1	EC5000DVE
17	73A-14280-00-00	COVER, CARBURETOR	1	
18	7EJ-14488-10-00	LABEL, CAUTION	1	

7EM110-5060

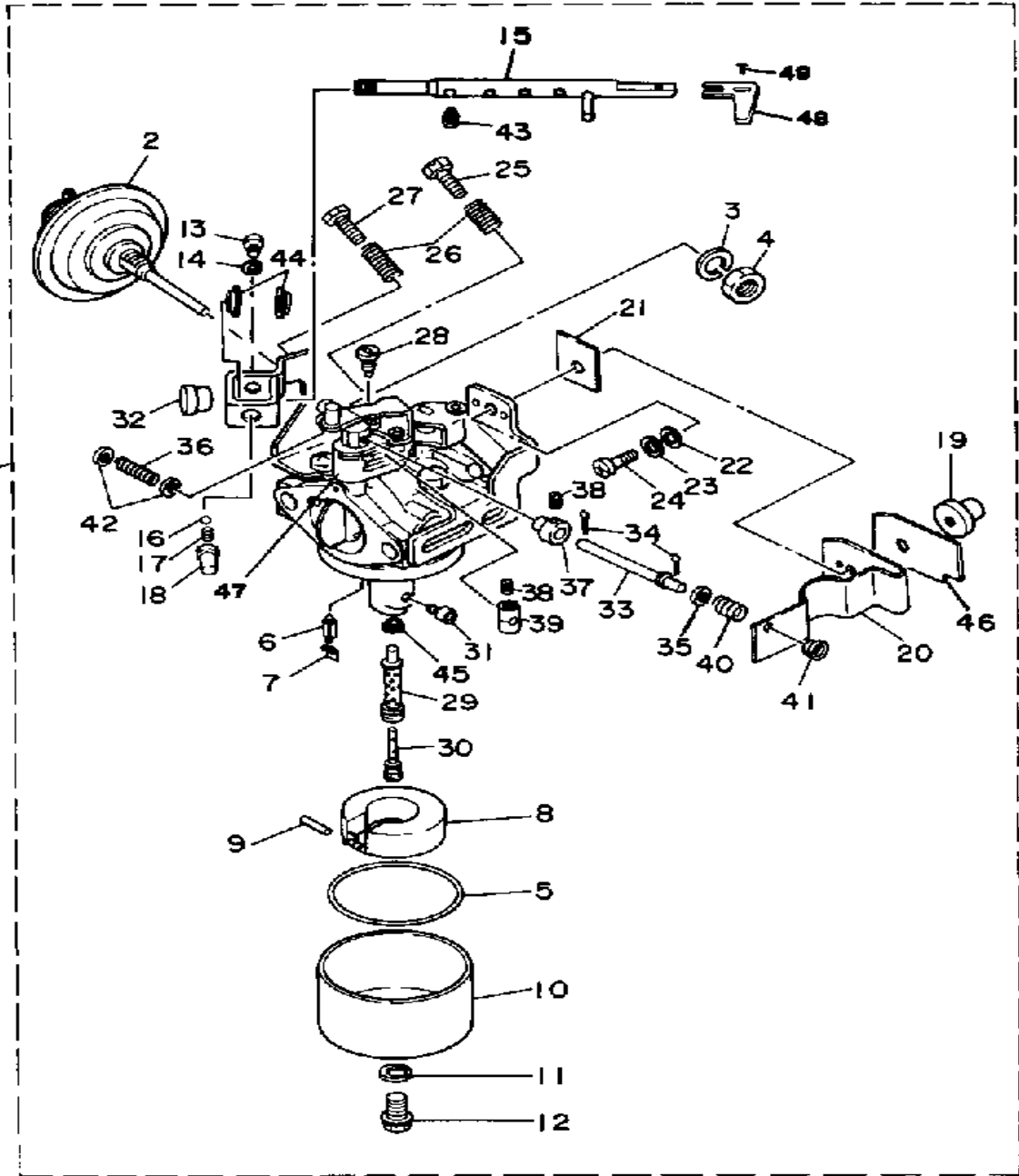
CARBURETOR EC5000DV



Ref. No.	Part Number	Description	Qty	Remarks
1	73A-14501-00-00	CARBURETOR ASSEMBLY 1	1	
2	73A-14211-00-00	. SCREW, PILOT ADJUSTING	1	
3	620-14142-72-00	. JET, PILOT (#72.5)	1	
4	3G2-1423A-73-A0	. JET MAIN #112.5 (256-14944-73)	1	
5	73A-14486-00-00	. SCREW, ROD	1	
6	73A-14212-00-00	. SPRING	2	
7	73A-14150-00-00	. NEEDLE ASSEMBLY	1	
8	7G0-14186-00-00	. PIN, FLOAT	1	
9	73A-14185-00-00	. FLOAT	1	
10	73A-14941-8E-00	. NOZZLE, MAIN	1	
11	796-14184-00-00	. GASKET, FLOAT CHAMBER	1	
12	73A-14181-00-00	. BODY, FLOAT CHMBR 1	1	
13	127-14198-00-00	. GASKET	1	
14	7R1-14162-00-00	. BOLT, HOLDING	1	
15	7E1-14159-00-00	. CLIP		1
16	73A-1414G-00-00	. PIPE, MAIN BREED	1	
17	73A-14486-00-00	. SCREW, ROD	1	

73A010-4080

CARBURETOR EC500DVE

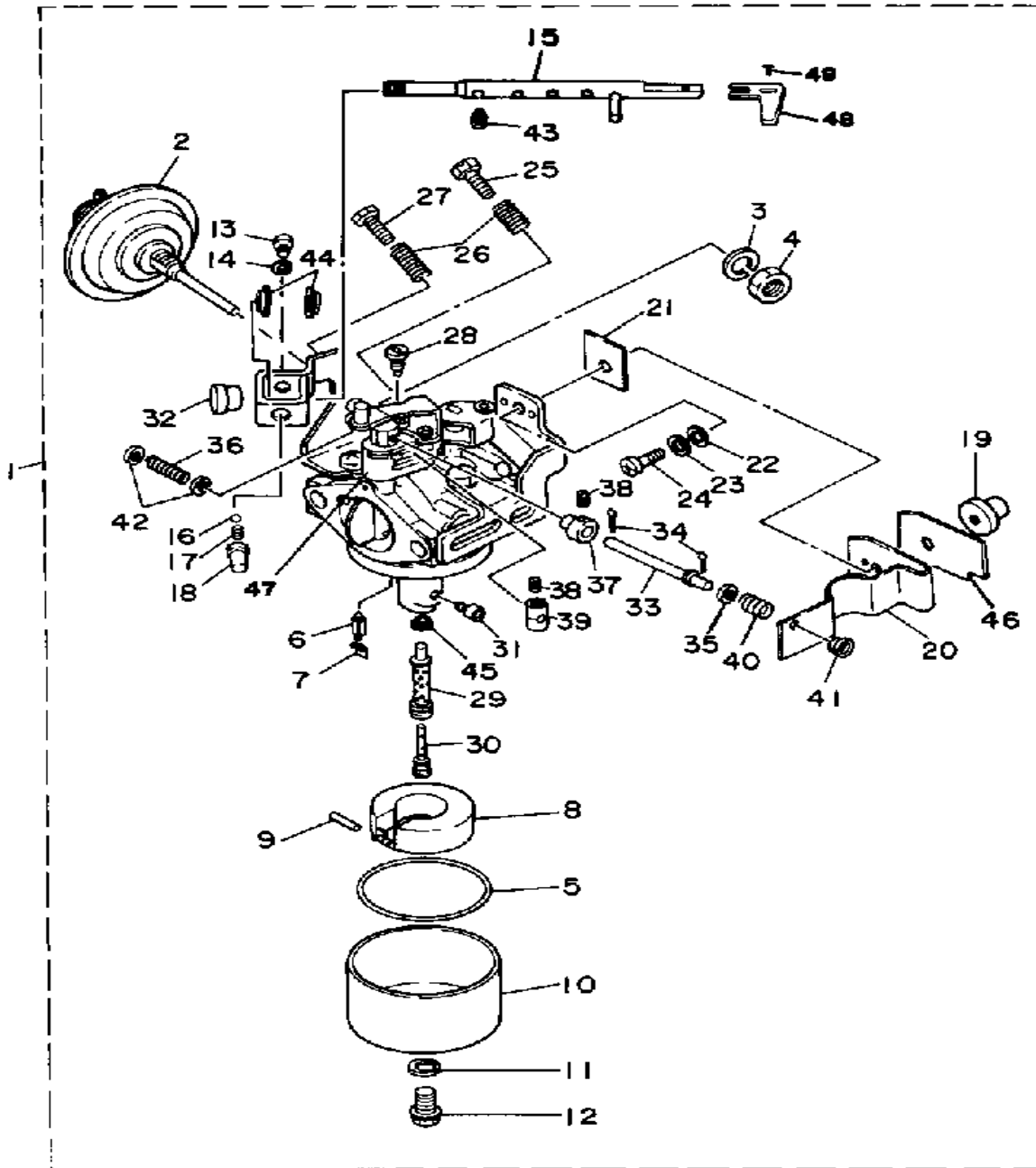


73A010-4070

Ref. No.	Part Number	Description	Qty	Remarks
1	73A-14501-12-00	CARBURETOR ASSEMBLY 1	1	
2	73A-14940-00-00	. DIAPHRAGM ASSEMBLY	1	
3	92990-08100-00	. WASHER	1	
4	812-14594-00-00	. NUT	1	
5	796-14184-00-00	. GASKET, FLOAT CHAMBER	1	
6	73A-14150-00-00	. NEEDLE ASSEMBLY	1	
7	7E1-14159-00-00	. CLIP	1	
8	73A-14185-00-00	. FLOAT	1	
9	7G0-14186-00-00	. PIN, FLOAT	1	
10	73A-14181-00-00	. BODY, FLOAT CHMBR 1	1	
11	127-14198-00-00	. GASKET	1	
12	7R1-14162-00-00	. BOLT, HOLDING	1	
13	73A-14245-00-00	. SCREW, GUIDE	1	
14	92995-06100-00	. WASHER, SPRING	1	
15	73A-14229-01-00	. SHAFT, CHOKE	1	
16	93501-08001-00	. BALL	1	
17	583-14589-00-00	. SPRING	1	
18	(73A-14261-00-00)	HOLDER	1	
19	73A-14163-00-00	. SPACER	1	
20	73A-14945-00-00	. PLATE	1	
21	73A-14264-00-00	. PLATE	1	
22	73A-14227-00-00	. WASHER	1	
23	73A-14973-00-00	. WASHER	1	
24	98503-04014-00	. SCREW, PAN HEAD	1	
25	73A-14212-10-00	. SPRING	2	
26	73A-14212-10-00	. SPRING	2	
27	(14X-14125-00-00)	SCREW, BODY FITTING	1	
28	620-14142-60-00	. JET, PILOT (# 60)	1	
29	73A-14941-8E-00	. NOZZLE, MAIN	1	

CONTINUED ON NEXT FRAME ➤

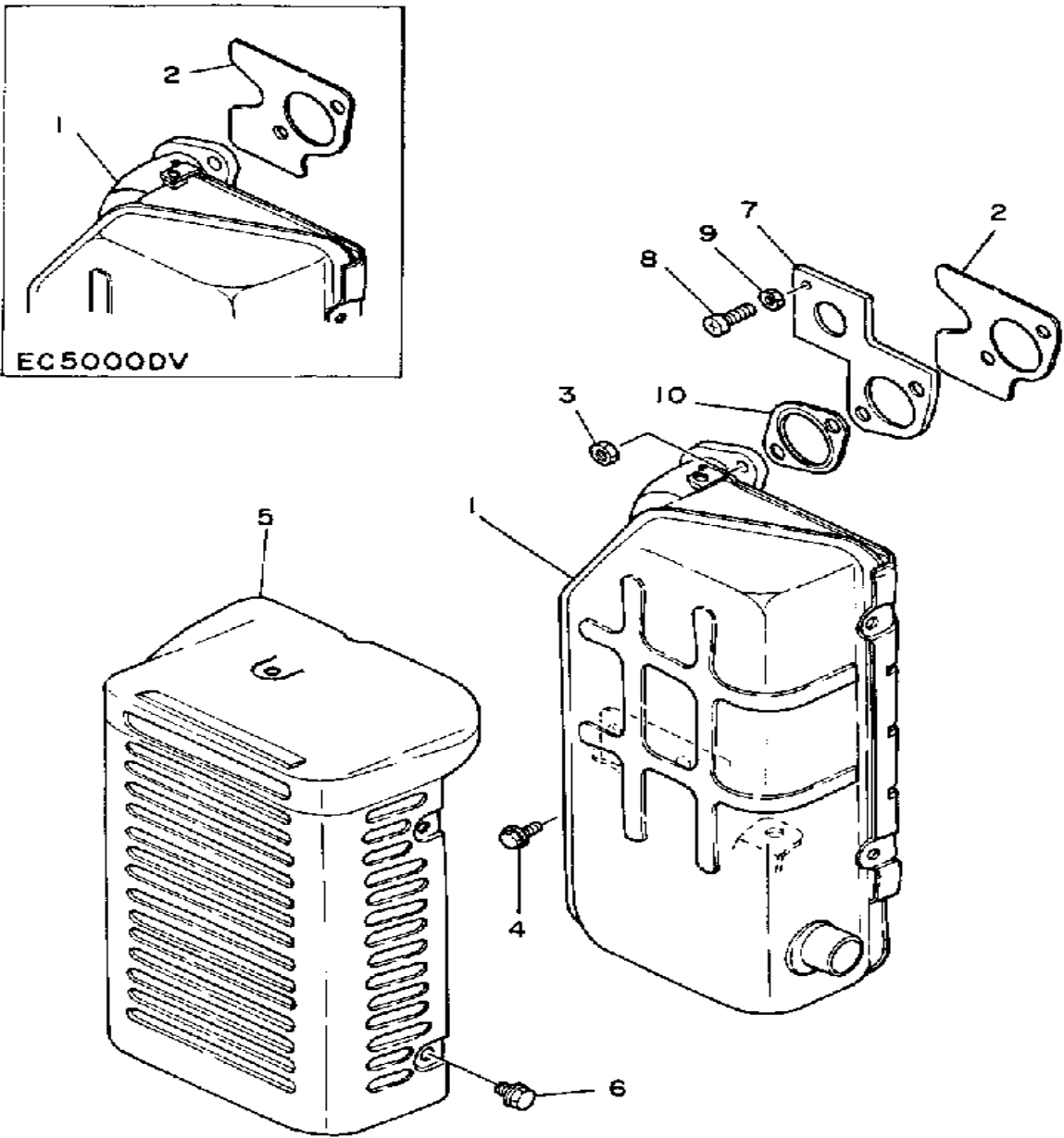
CARBURETOR EC500DVE



73A010-4070

Ref. No.	Part Number	Description	Qty	Remarks
30	73A-1414G-00-00	. PIPE, MAIN BREED	1	
31	3G2-1423A-73-A0	. JET MAIN #112.5 (256-14944-73)	1	
32	73A-14968-00-00	. CAP	1	
33	73A-14992-00-00	. ROD	1	
34	91402-10008-00	. PIN, COTTER	2	
35	2H0-14227-00-00	. WASHER	1	
36	73A-14135-00-00	. SPRING, PLUNGER	1	
37	73A-14194-00-00	. RING	1	
38	73A-14991-00-00	. SCREW	2	
39	73A-14246-00-00	. BUSHING	1	
40	73A-14589-00-00	. SPRING	1	
41	73A-14918-00-00	. RING	1	
42	73A-14962-00-00	. WASHER	2	
43	7G5-14216-00-00	. SCREW	1	
44	73A-14261-01-00	. HOLDER	2	
45	73A-14194-10-00	. RING	1	
46	(73A-14243-00-00)	PLATE	1	
47	73A-14201-00-00	. CHOKE LEVER	1	
48	73A-14255-00-00	. PLATE	1	
49	7X9-14216-00-00	. SCREW	1	

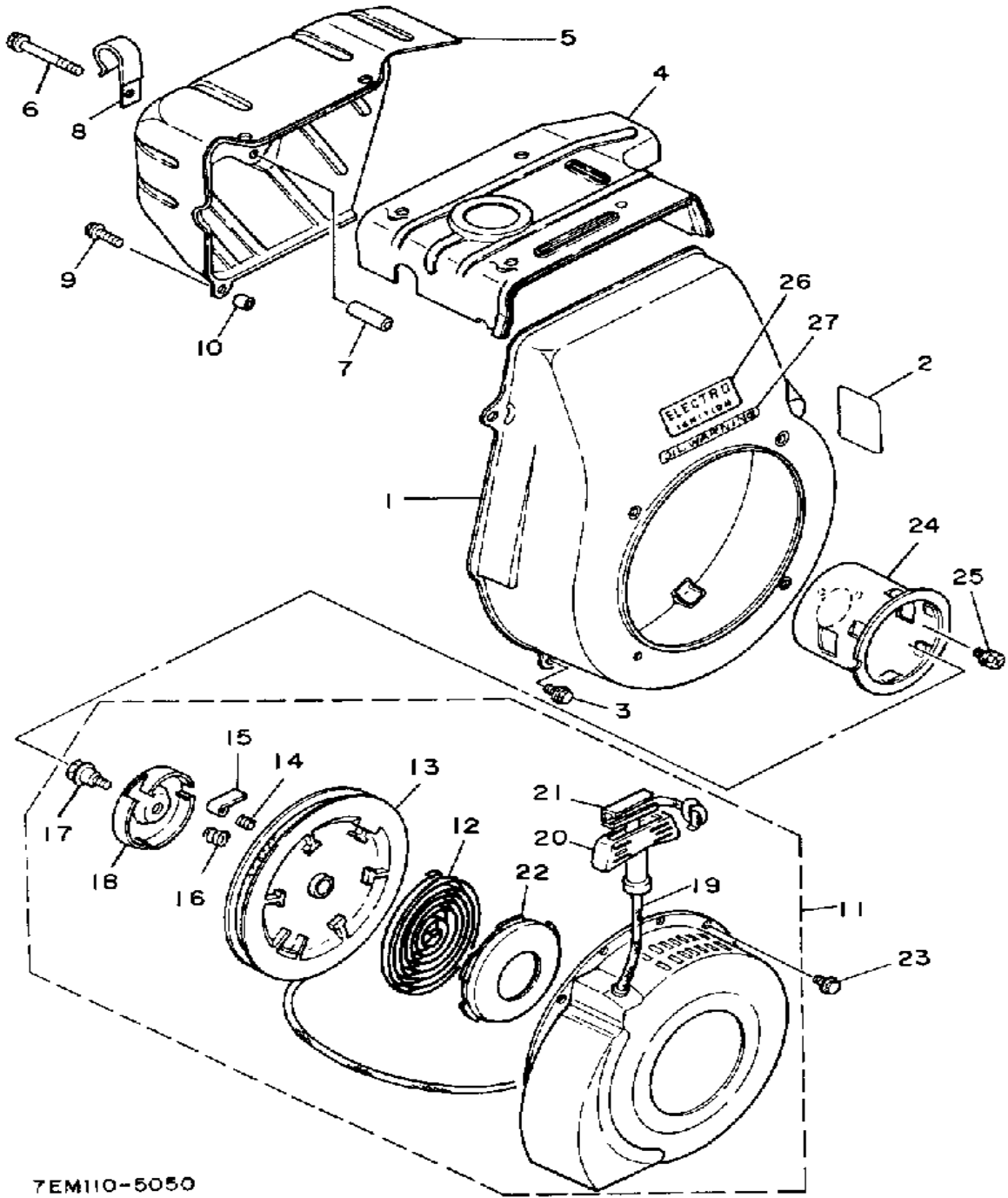
EXHAUST (EC5000DV(E))



Ref. No.	Part Number	Description	Qty	Remarks
1	73H-14710-00-98	MUFFLER ASSEMBLY L (DV)	1	UR LW GLSS BK
	73H-14710-10-98	MUFFLER ASSEMBLY L	1	UR LW GLSS BLK
2	73A-14613-00-00	GASKET, EXST PIPE	1	
3	95380-08600-00	NUT	2	
4	95811-08016-00	BOLT, FLANGE	1	
5	73A-14718-01-93	PROTECTOR, MUFF 1 (73A-14718-00-93)	1	
6	90119-06103-00	BOLT, WITH WASHER	4	
7	73A-14615-00-00	JOINT, EXHAUST L	1	
8	90153-05024-00	SCREW, HEXAGON	1	
9	95311-05700-00	NUT	1	
10	73A-14623-00-00	GASKET, EXST PIPE	1	

7EM110-5090

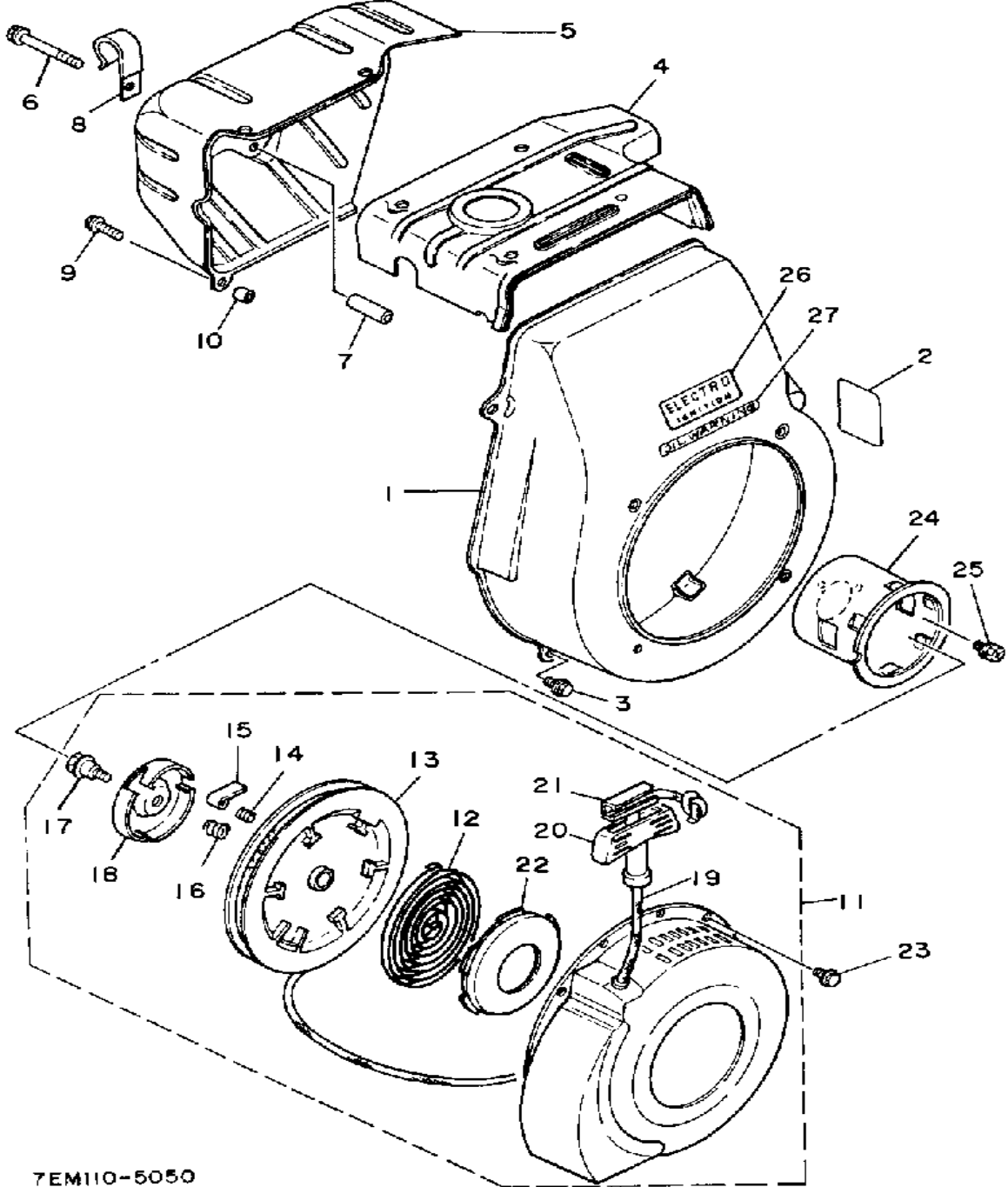
AIR SHROUD - STARTER (EC5000DV(E))



Ref. No.	Part Number	Description	Qty	Remarks
1	73A-12621-00-86	CASE, FAN (DV)	1	UR NAIAD BLUE
	73A-12621-20-86	CASE, FAN	1	UR NAIAD BLUE
2	73A-21793-00-00	ORNAMENT	1	
3	95811-06010-00	BOLT, FLANGE	4	
4	73A-W1261-00-86	AIR SHROUD, CYLINDER	1	NAIAD BLUE
5	73A-W1263-00-86	AIR SHROUD, CYLINDER 2	1	NAIAD BLUE
6	95811-06055-00	BOLT, FLANGE (95802-06055)	1	
7	90387-067J2-00	COLLAR	1	
8	(90462-08100-00)	CLAMP	1	
9	97023-06020-00	BOLT (3XF)	1	
10	90387-064W1-00	COLLAR (90387-066J9)	1	
11	73A-15710-01-86	STARTER ASSEMBLY	1	NAIAD BLUE
12	73A-15713-00-00	. SPRING, STARTER	1	
13	73A-15714-00-00	. DRUM, SHEAVE	1	
14	7X9-15743-00-00	. CLIP, DRIVE PAWL	3	
15	7R7-15741-00-00	. PAWL, DRIVE	3	
16	73A-15715-01-00	. SPRING, DRIVE PLATE	1	
17	7X9-15768-00-00	. BOLT	1	
18	73A-15716-00-00	. PLATE, DRIVE	1	
19	75H-15751-00-00	. ROPE, STARTER (73A-15751-00)	1	
20	7R7-15755-01-00	. HANDLE, STARTER	1	
21	7R7-15756-01-00	. CONNECTOR 1	1	
22	73A-15766-00-00	. CASE, SPRING L	1	
23	95811-06010-00	BOLT, FLANGE	4	
24	73A-15723-01-00	PULLEY, STARTER (73A-15723-00)	1	
25	90159-08070-00	SCREW, WITH WASHER	3	
26	76G-21781-00-00	EMBLEM 1	1	

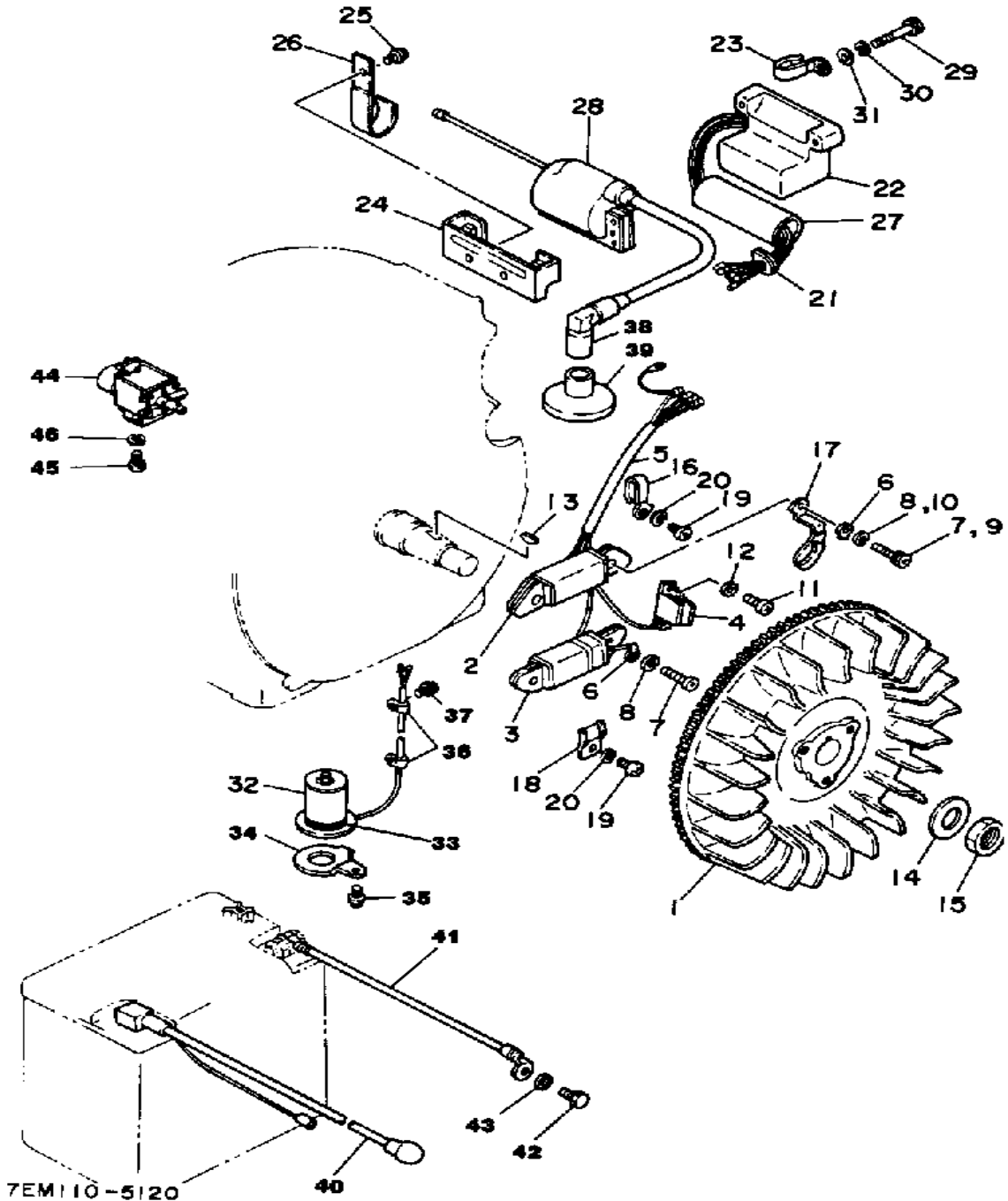
CONTINUED ON NEXT FRAME ►

AIR SHROUD - STARTER (EC5000DV(E))



Ref. No.	Part Number	Description	Qty	Remarks
27	73A-21782-00-00	EMBLEM 2	1	

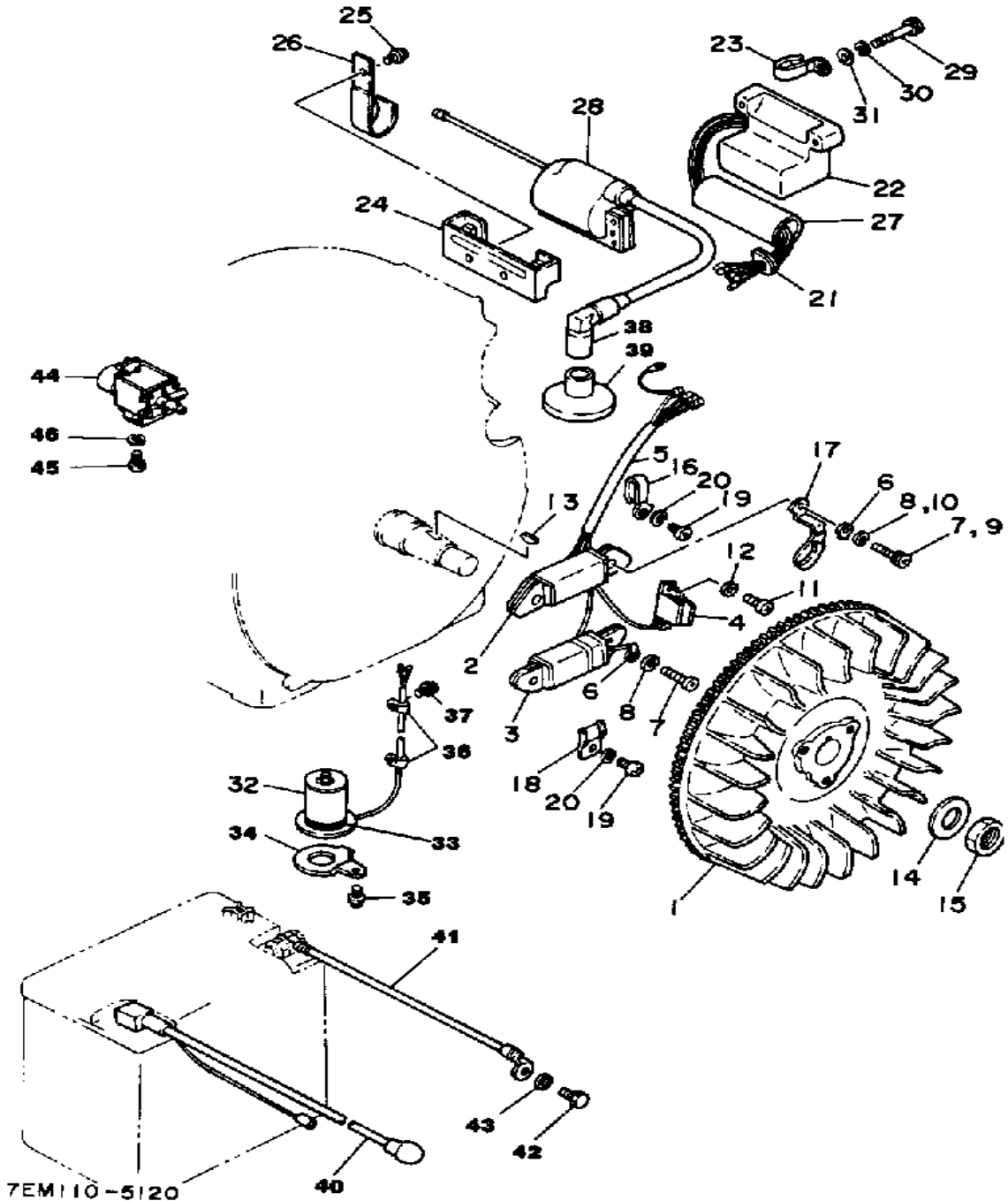
MAGNETO (EC5000DV(E))



Ref. No.	Part Number	Description	Qty	Remarks
1	73A-85550-M9-00	ROTOR ASSEMBLY (73A-85550-M0)	1	UR
	73F-85550-M9-00	ROTOR ASSEMBLY (73F-85550-M0) (DV)	1	UR
2	73A-85521-M0-00	COIL ASSEMBLY (DVE)	1	UR
	7H5-85520-M0-00	COIL, CHARGE	1	UR
3	73A-81313-M0-00	COIL, LIGHTING 1	1	UR
4	73A-85580-M0-00	COIL, PULSER	1	
5	73A-8131X-M0-00	CORD ASSEMBLY	1	UR
	73F-8131X-M0-00	CORD ASSEMBLY (DV)	1	UR
6	73A-85569-M0-00	TERMINAL, EARTH 2	1	UR
	73A-85569-M0-00	TERMINAL, EARTH 2	2	UR
7	98580-06030-00	SCREW PAN HEAD	4	
8	92995-06100-00	WASHER, SPRING	4	
9	98580-06030-00	SCREW PAN HEAD	2	
10	92995-06100-00	WASHER, SPRING	2	
11	98580-04010-00	SCREW, PAN HEAD	2	
12	92990-04100-00	WASHER, SPRING	2	
13	90280-05025-00	KEY, WOODRUFF	1	
14	90201-18620-00	WASHER, PLAIN	1	
15	90170-18332-00	NUT, HEXAGON	1	
16	90465-06332-00	CLAMP	1	
17	90465-08135-00	CLAMP	1	
18	(90462-15135-00)	CLAMP	1	
19	98580-06010-00	SCREW, PAN HEAD (92503-06010)	2	
20	92995-06100-00	WASHER, SPRING	2	
21	90480-16376-00	GROMMET	1	
22	73A-85540-M0-00	CDI UNIT ASSEMBLY	1	UR
	73F-85540-M0-00	CDI UNIT ASSEMBLY (DV)	1	UR

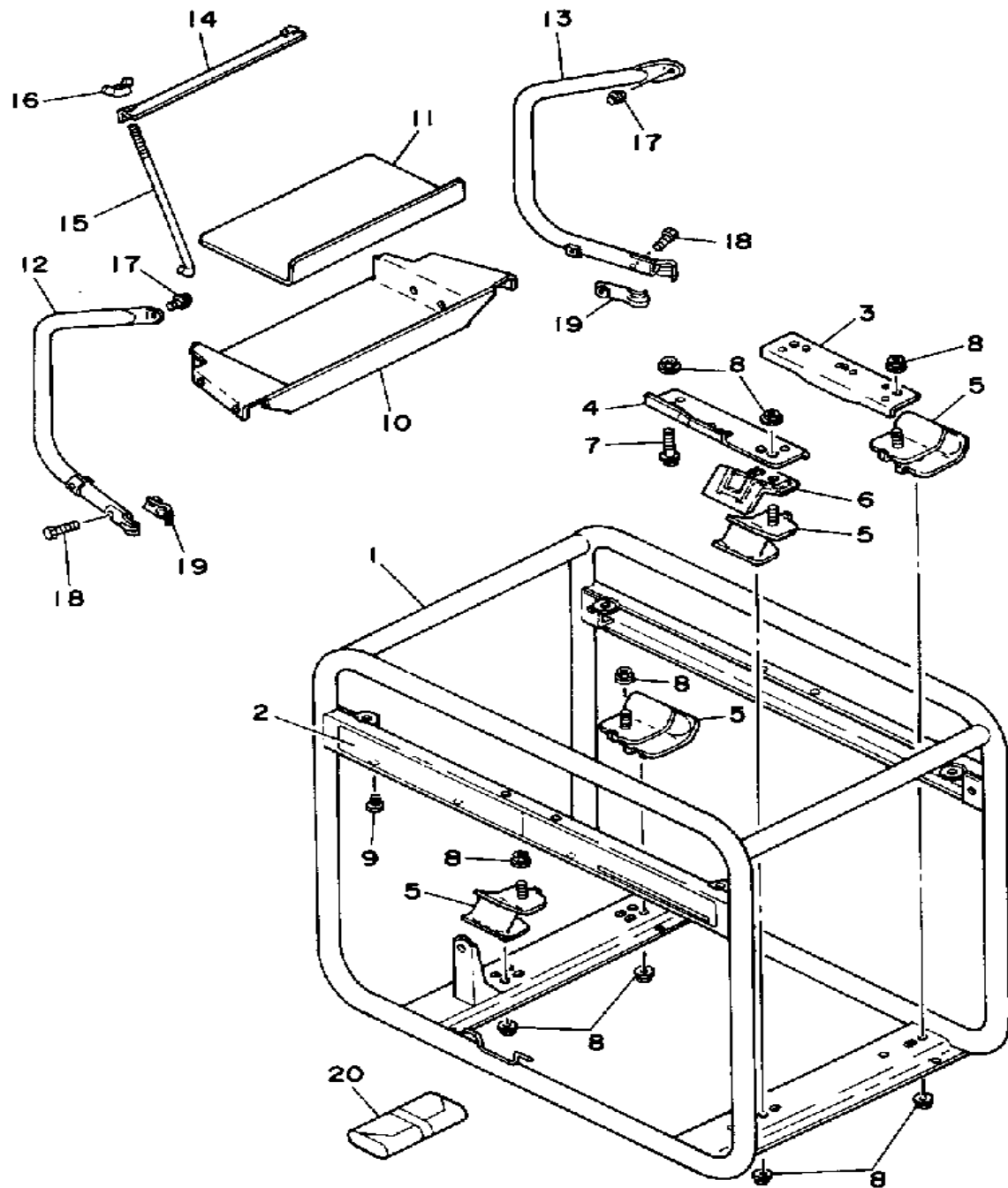
CONTINUED ON NEXT FRAME ➤

MAGNETO (EC5000DV(E))



Ref. No.	Part Number	Description	Qty	Remarks
23	90465-08135-00	CLAMP	1	
24	73A-85542-00-00	BRACKET	1	
25	95811-06010-00	BOLT, FLANGE	2	
26	(90462-08100-00)	CLAMP	1	
27	75G-82599-00-00	COVER, CONNECTER	1	
28	73A-82310-M0-00	IGNITION COIL ASSEMBLY	1	
29	97313-06045-00	BOLT (97021-06045-00)	2	
30	92995-06100-00	WASHER, SPRING	2	
31	92990-06600-00	WASHER, PLATE	2	
32	73A-85720-01-00	OIL LVL GAUGE ASSEMBLY	1	
33	93210-32172-00	O-RING	1	
34	73A-85724-00-00	CLAMP	1	
35	(90105-06291-00)	BOLT, WASHER BASED	1	
36	90465-06038-00	CLAMP	2	
37	(90105-06291-00)	BOLT, WASHER BASED	2	
38	73A-82370-00-00	PLUG CAP ASSEMBLY	1	
39	5G3-82372-00-00	SEAL, PLUG CAP	1	
40	73H-82115-01-00	WIRE, PLUS LEAD	1	
41	73H-82116-00-00	WIRE, MINUS LEAD	1	
42	97011-06010-00	BOLT	1	
43	90201-061A5-00	WASHER, PLATE	1	
44	73A-86120-00-00	SOLENOID VALVE ASSEMBLY	1	
45	97011-06010-00	BOLT	1	
46	92995-06100-00	WASHER, SPRING	1	

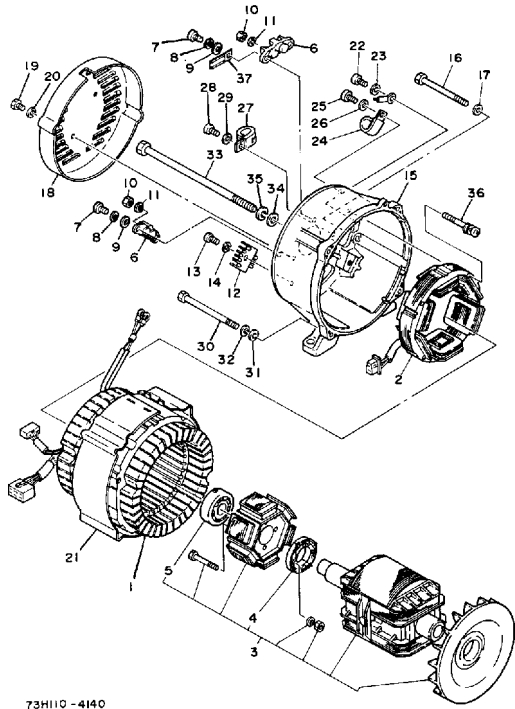
FRAME (EC5000DV(E))



Ref. No.	Part Number	Description	Qty	Remarks
1	7EL-22810-00-00	FRAME	1	
2	7EL-24156-00-00	INDCTR, STARTER LVR (DV)	1	UR
	7EM-24156-00-00	INDICATOR, STRTLEVR (DVE)	1	UR
3	73A-11011-00-00	BRACKET, ENGINE 1	1	
4	73A-11012-00-00	BRACKET, ENGINE 2	1	
5	73A-22891-00-00	INSULATOR, MOUNTING	4	
6	73A-22892-00-00	PROTECTOR, MOUNTING	1	
7	95811-10040-00	BOLT, FLANGE (95801-10040)	4	
8	95701-10500-00	NUT, FLANGE (95702-10500)	12	
9	95811-06010-00	BOLT, FLANGE	2	
10	73A-82122-10-35	SEAT, BATTERY (73A-82122-10-20)	1	SILVER
11	73A-82121-10-00	PAD, BATTERY	1	
12	7EM-22838-00-00	STAY 6 (73A-22838-10-93)	1	
13	7EM-22839-00-00	STAY 7 (73A-22839-10-93)	1	
14	J55-H2136-00-00	PLATE, BATTERY	1	
15	73A-82133-10-00	SCREW, FITTING	2	
16	90175-06008-00	NUT, WING	2	
17	95811-08012-00	BOLT, FLANGE	2	
18	97021-06030-00	BOLT	4	
19	73A-22864-10-00	COVER, SIDE 1 (73A-22864-10-93)	2	
20	79W-W2810-00-00	TOOL KIT	1	

7EM110-5100

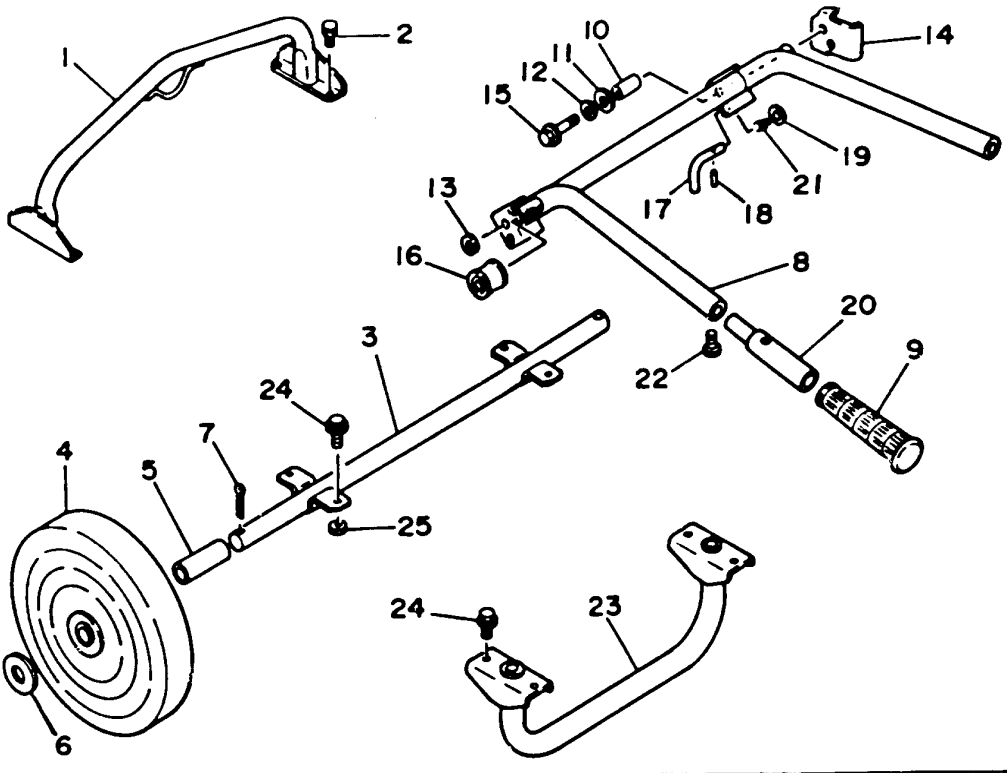
GENERATOR (EC5000DV(E))



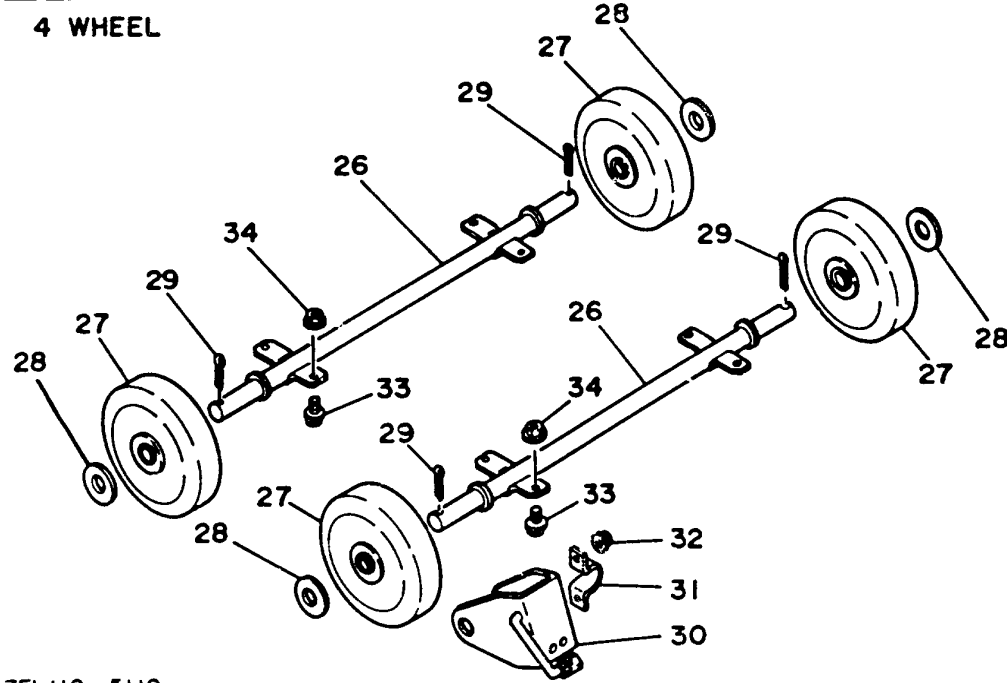
73H110-4140

Ref. No.	Part Number	Description	Qty	Remarks
18	73A-87174-00-86	COVER, REAR END (73A-87174-00)	1	
19	97011-06010-00	BOLT	2	
20	90201-061A5-00	WASHER, PLATE	2	
21	73A-87153-00-00	COVER, STATOR	1	
22	98580-05010-00	SCREW, PAN HEAD	1	
23	92901-05600-00	WASHER, PLATE	1	
24	90465-08146-00	CLAMP	1	
25	98580-05010-00	SCREW, PAN HEAD	1	
26	92901-05600-00	WASHER, PLATE	1	
27	90462-05061-00	CLAMP	1	
28	98580-05010-00	SCREW, PAN HEAD	1	
29	92901-05600-00	WASHER, PLATE	1	
30	90101-06335-00	BOLT	4	
31	92990-06600-00	WASHER, PLATE	4	
32	92995-06100-00	WASHER, SPRING	4	
33	97022-12270-00	BOLT (73A)	1	
34	92990-12600-00	WASHER, PLATE	1	
35	92901-12100-00	WASHER, SPRING	1	
36	90159-05091-00	SCREW, WITH WASHER	4	
37	90462-05061-00	CLAMP	1	

WHEEL - HANDLE (ALT - CHASSIS) (EC5000)



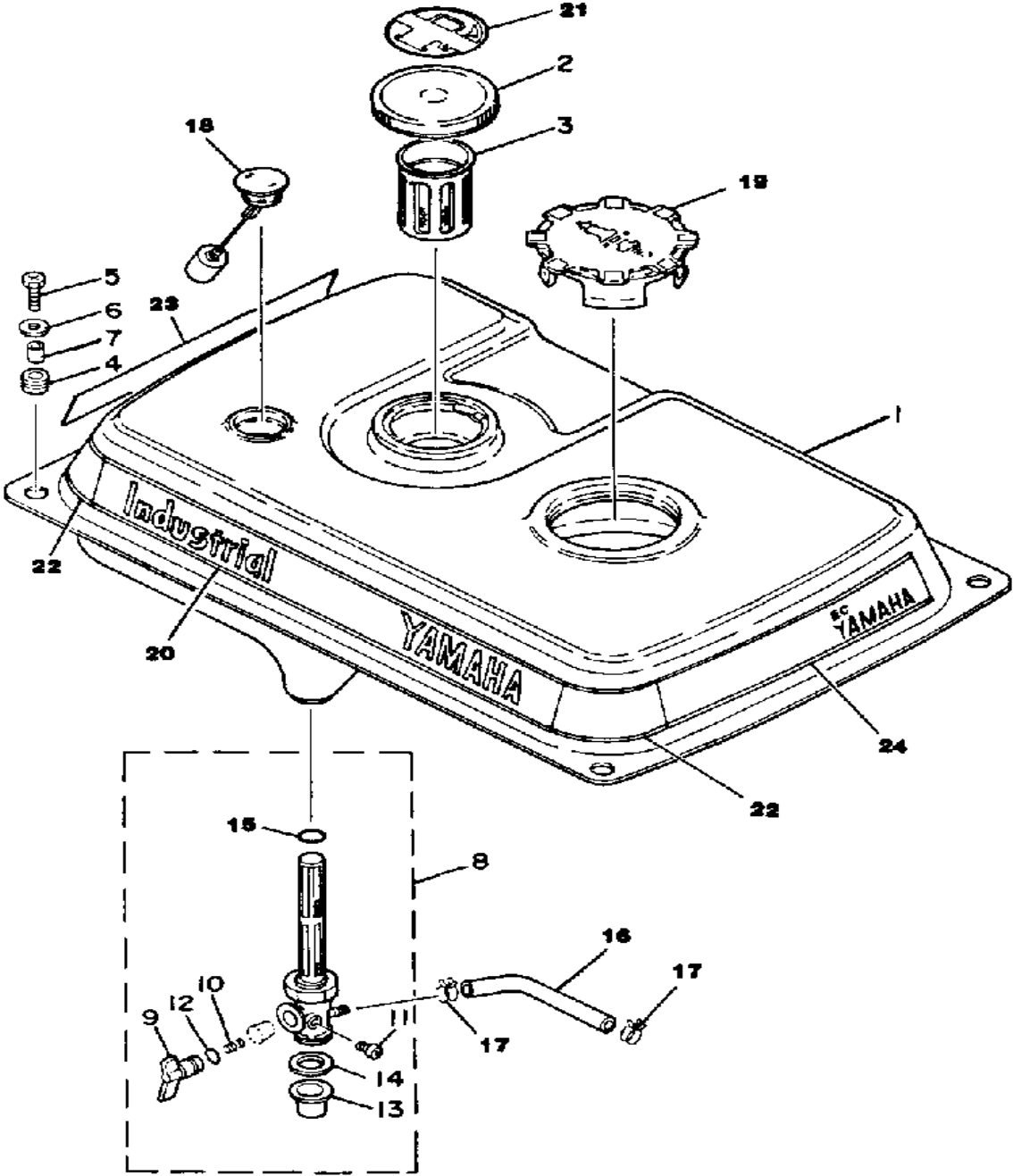
4 WHEEL



7EL110-5110

Ref. No.	Part Number	Description	Qty	Remarks
18	91609-30016-00	PIN, SPRING	1	
19	90201-08624-00	WASHER, PLATE	1	
20	73A-26147-10-00	BOOT, HANDLE	2	
21	90501-10264-00	SPRING, COMPRESSION	1	
22	97313-06016-00	BOLT, HEXAGON	2	
23	73A-27111-10-35	STAND, MAIN	1	SILVER
24	95811-08016-00	BOLT, FLANGE	8	
25	95701-08500-00	NUT, FLANGE	4	
26	73A-25181-10-00	AXLE, WHEEL (FRONT)	2	
27	73A-22845-10-00	CASTER 1	4	
28	92901-20600-00	WASHER, WAVE	4	
29	91401-30040-00	PIN, COTTER	4	
30	73A-2510E-10-00	BRAKE ASSEMBLY	1	
31	90465-20102-00	CLAMP	1	
32	95701-08500-00	NUT, FLANGE	2	
33	95811-08016-00	BOLT, FLANGE	8	
34	95701-08500-00	NUT, FLANGE	8	

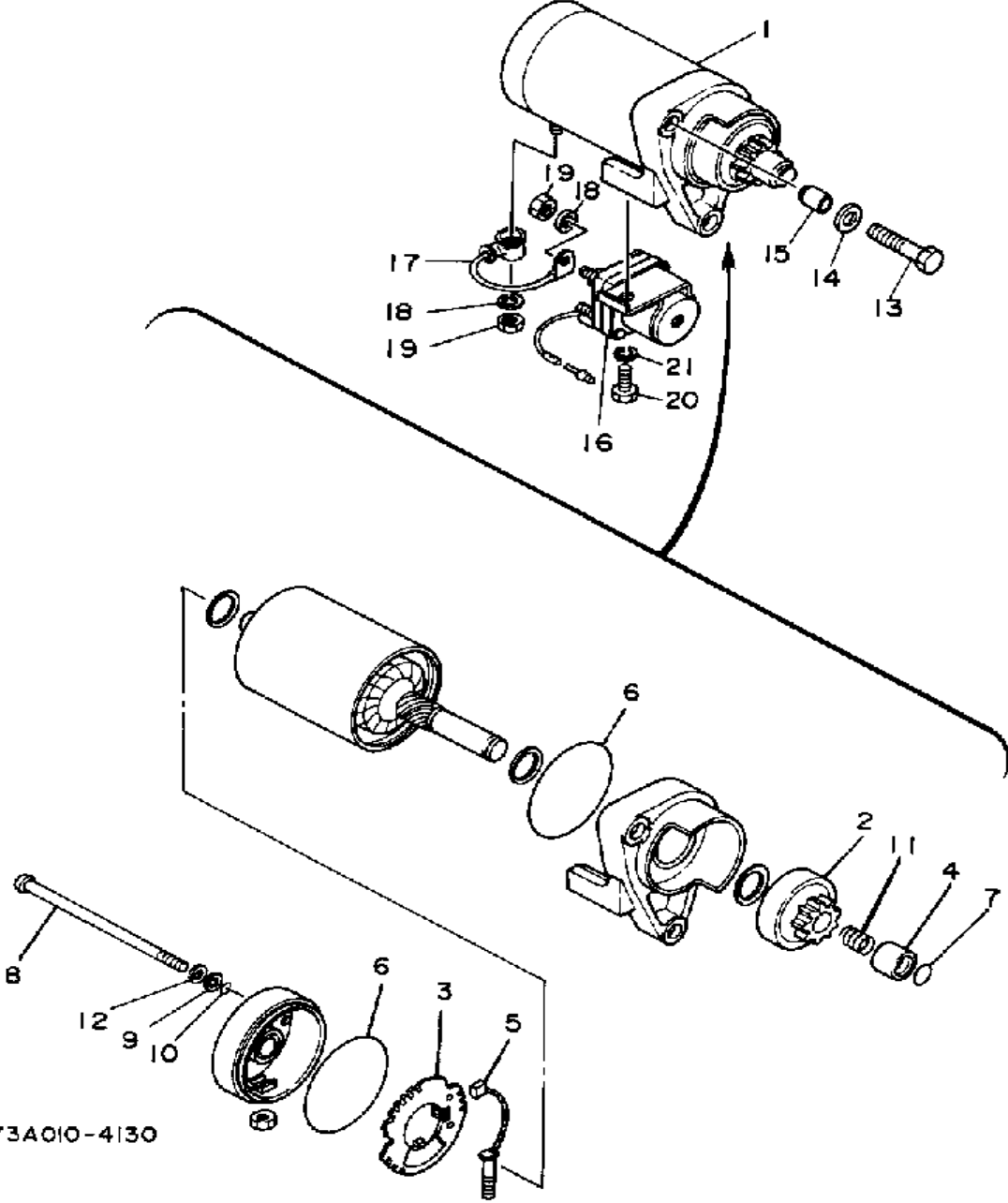
FUEL TANK (EC500DV(E))



7EM110-5110

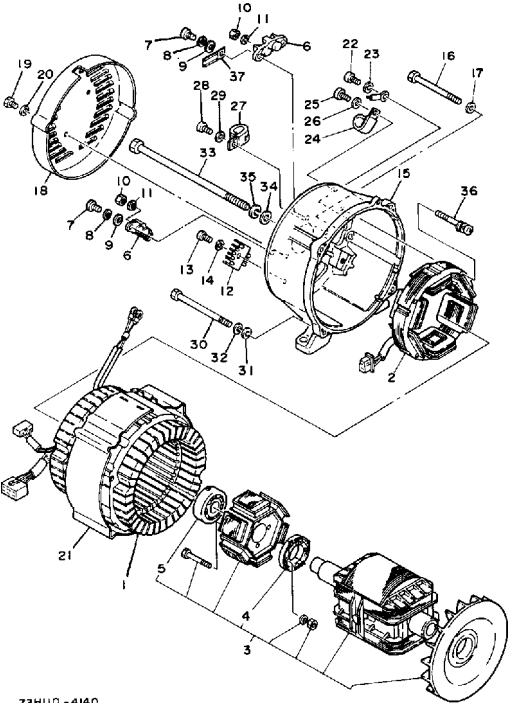
Ref. No.	Part Number	Description	Qty	Remarks
1	7EJ-24110-00-86	FUEL TANK (73A-24110-00-86)	1	NAIAD BLUE
2	7V5-24610-01-00	CAP ASSEMBLY	1	
3	630-24167-00-00	STRAINER	1	
4	90480-12475-00	GROMMET	4	
5	90153-06007-00	SCREW, HEXAGON (90153-06025)	4	
6	90201-06067-00	WASHER, PLATE	4	
7	90387-08747-00	COLLAR	4	
8	73A-24500-02-00	FUEL COCK ASSEMBLY	1	
9	73A-24524-00-00	. LEVER, COCK	1	
10	2W6-24529-00-00	. SPRING	1	
11	2N3-24535-00-00	. SCREW, LVR FITTING	1	
12	2N3-24528-00-00	. GASKET	1	
13	7EG-24521-00-00	. CUP, FILTER	1	
14	4X8-24565-00-00	. GASKET	1	
15	73A-24528-00-00	. GASKET	1	
16	73A-24311-00-00	PIPE, FUEL 1	1	
17	90467-11044-00	CLIP	2	
18	73A-85710-01-00	FUEL LEVEL GAUGE ASSEMBLY	1	
19	73A-11112-00-00	PLUG, BLIND	1	
20	7EJ-24161-00-00	EMBLEM 1	1	
21	73E-21788-00-00	GRAPHIC	1	
22	7EJ-24235-00-00	MARK 1	2	
23	7EM-24162-00-00	EMBLEM 2 (DV)	1	U.R.
	7EM-24162-10-00	EMBLEM 2 (DVE)	1	U.R.
24	7EM-24164-00-00	EMBLEM 2 (DV)	1	U.R.
	7EM-24164-10-00	EMBLEM 4 (DVE)	1	U.R.

STARTING MOTOR (EC5000DV(E))



Ref. No.	Part Number	Description	Qty	Remarks
1	73A-81800-50-00	STARTING MOTOR ASSEMBLY	1	
2	8L6-81832-50-00	. CLUTCH, OVER RUN	1	
3	8L6-81840-50-00	. BRUSH HOLDER ASSEMBLY	1	
4	8L6-81833-50-00	. RING, STOP	1	
5	73A-81811-00-00	. BRUSH 1	1	
6	4H7-81844-00-00	. O-RING (4H7-81844-50-00)	2	
7	8L6-81834-50-00	. RING	1	
8	8L6-81826-50-00	. BOLT	2	
9	8L6-81824-50-00	. WASHER 2	2	
10	8L6-81847-50-00	. O-RING	2	
11	8L6-81836-50-00	. SPRNG, lever	1	
12	73A-81835-00-00	. WASHER	2	
13	97313-08040-00	BOLT, HEXAGON (97322-08040)	2	
14	92990-08600-00	WASHER, PLATE	2	
15	99510-10114-00	PIN, DOWEL	2	
16	73A-81940-10-00	STARTER SWITCH ASSEMBLY	1	
17	73A-81815-00-00	WIRE, STARTER	1	
18	92995-06100-00	WASHER, SPRING	3	
19	95380-06700-00	NUT	3	
20	97313-06016-00	BOLT, HEXAGON	1	
21	92995-06100-00	WASHER, SPRING	1	

GENERATOR (EC5000DV(E))

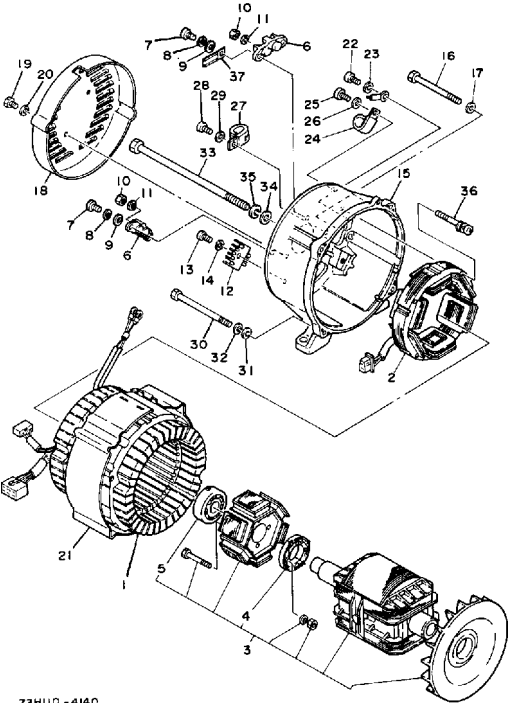


73H110 - 4140

Ref. No.	Part Number	Description	Qty	Remarks
1	73H-87150-00-00	STATOR ASSEMBLY	1	.230/60HZ
2	73A-8712A-01-00	STATOR EXITER ASSEMBLY	1	
3	7MF-87160-00-00	ROTOR ASSEMBLY	1	
4	73A-87109-09-00	. ROTOR REPAIR KIT (73A-87115-00)	1	
5	93306-37202-00	. BEARING	1	
6	7H9-87220-00-00	TERMINAL ASSEMBLY SUB-ASSEMBLY 1	1	DUST/V
7	98580-05016-00	SCREW, PAN HEAD	4	
8	92990-05100-00	WASHER, SPRING	4	
9	92901-05600-00	WASHER, PLATE	4	
10	95311-05700-00	NUT	4	
11	92990-05100-00	WASHER, SPRING	4	
12	7H5-87105-01-00	RECTIFIER ASSEMBLY 1	1	
13	98580-05016-00	SCREW, PAN HEAD	1	
14	92901-05600-00	WASHER, PLATE	1	
15	73A-87131-00-00	FRAME, REAR	1	
16	97021-06125-00	BOLT, HEXAGON (97322-06125)	2	
17	92990-06600-00	. WASHER, PLATE	2	
18	73A-87174-00-86	COVER, REAR END (73A-87174-00)	1	
19	97011-06010-00	BOLT	2	
20	90201-061A5-00	WASHER, PLATE	2	
21	73A-87153-00-00	COVER, STATOR	1	
22	98580-05010-00	. SCREW, PAN HEAD	1	
23	92901-05600-00	WASHER, PLATE	1	
24	90465-08146-00	CLAMP	1	
25	98580-05010-00	. SCREW, PAN HEAD	1	
26	92901-05600-00	WASHER, PLATE	1	
27	90462-05061-00	CLAMP	1	

CONTINUED ON NEXT FRAME ➤

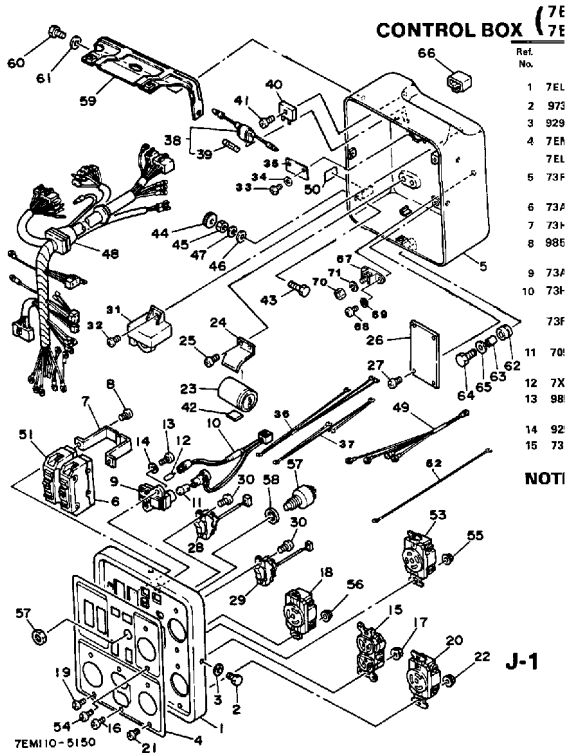
GENERATOR (EC500DV(E))



73H110 - 4140

Ref. No.	Part Number	Description	Qty	Remarks
28	98580-05010-00	. SCREW, PAN HEAD	1	
29	92901-05600-00	WASHER, PLATE	1	
30	90101-06335-00	BOLT	4	
31	92990-06600-00	. WASHER, PLATE	4	
32	92995-06100-00	WASHER, SPRING	4	
33	97022-12270-00	BOLT (73A)	1	
34	92990-12600-00	WASHER, PLATE	1	
35	92901-12100-00	WASHER, SPRING	1	
36	90159-05091-00	SCREW, WITH WASHER	4	
37	90462-05061-00	CLAMP	1	

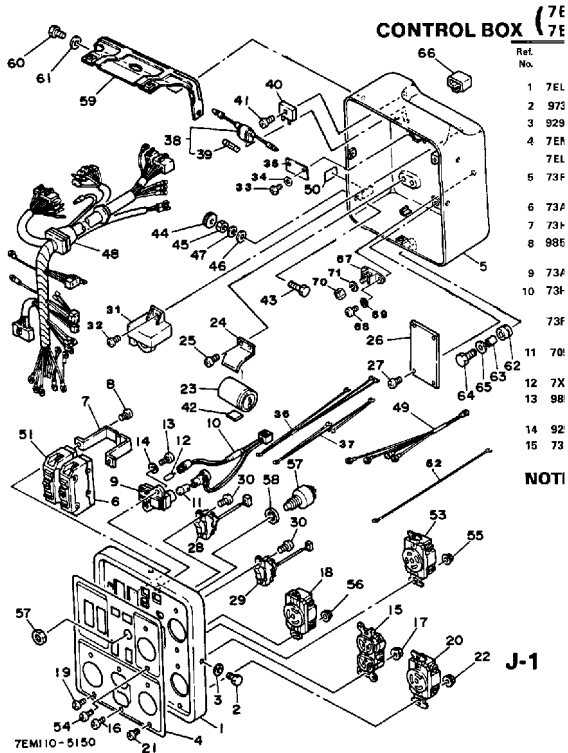
CONTROL BOX(~7EM-000970 EC5000DVE ~7EM



Ref. No.	Part Number	Description	Qty	Remarks
1	7EL-87211-20-86	BOX, CONTROL	1	NAIAD BLUE
2	97313-05010-00	BOLT, HEXAGON	4	
3	92901-05600-00	WASHER, PLATE	4	
4	7EL-87217-20-00	PLATE, CONTROL (DV)	1	U.R.
	7EM-87217-00-00	PLATE, CONTROL (DVE)	1	U.R.
5	73F-87213-10-86	COVER CONTROL BOX	1	NAIAD BLUE
	73F-87213-N0-86	COVER, CONTROL BOX (DV) .	1	NAIAD BLUE
6	73A-87204-10-00	BREAKER	1	37.0A KM-1G
7	73H-87244-00-00	HOLDER, BREAKER	1	
8	98511-04006-00	SCREW, PAN HEAD (98501-04005)	2	
9	73A-87253-00-00	HOLDER, SOCKET	1	
10	73F-83520-20-00	SOCKET CORD ASSEMBLY (DV)	1	U.R.
	73H-83520-80-00	SOCKET CORD ASSEMBLY (73A-83520-00)	1	U.R.
11	705-84347-00-00	BULB, PILOT LAMP	1	
12	7X9-83531-00-00	BULB, PILOT	1	
13	98580-04008-00	SCREW, PAN HEAD	2	
14	92901-04600-00	WASHER, PLATE	2	
15	73H-87221-90-00	CONSENT 1 (P&S 5-20R)	1	P&S 5-20R US
16	98580-04008-00	SCREW, PAN HEAD	2	
17	95701-04500-00	NUT, FLANGE	2	
18	73H-87222-90-00	CONSENT 2	1	P&S 15-30R US
19	98580-04008-00	SCREW, PAN HEAD	2	
20	73H-87221-70-00	CONSENT 1	1	P&S 15-20R US
21	98580-04008-00	SCREW, PAN HEAD	2	
22	95701-04500-00	NUT, FLANGE	2	
23	78R-87107-00-00	CONDENSER ASSEMBLY	1	
24	73A-87216-00-00	HOLDER, CONDENSER	1	

CONTINUED ON NEXT FRAME ➤

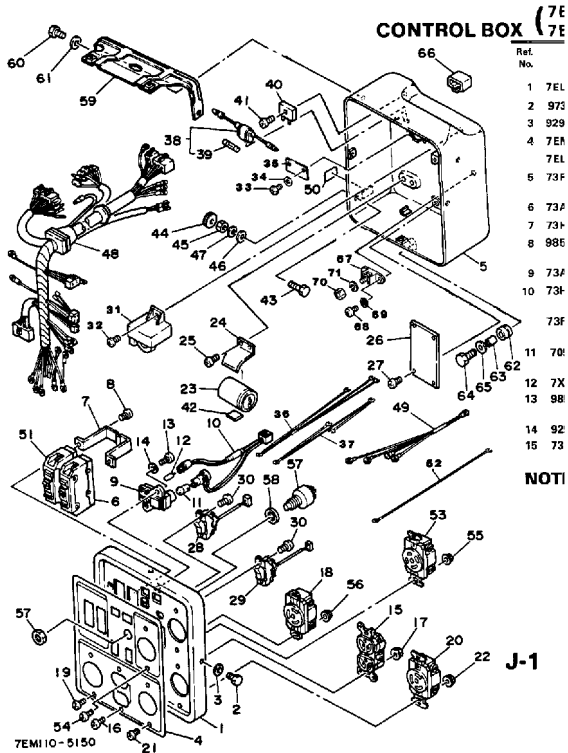
CONTROL BOX(~7EM-000970 EC5000DVE ~7EM



Ref. No.	Part Number	Description	Qty	Remarks
25	98580-05010-00	SCREW, PAN HEAD	2	
26	73A-8722A-21-00	VOLTAGE REGLTR ASSEMBLY	1	
27	98511-04006-00	SCREW, PAN HEAD (98501-04005)	4	
28	7EL-82550-20-00	STOP SWITCH ASSEMBLY	1	
29	7AV-82567-00-00	SWITCH, THROTTLE	1	
30	98580-03008-00	SCREW, PAN HEAD	4	
31	7X6-87286-00-00	SLOW DOWN UNIT ASSEMBLY	1	
32	98580-05012-00	SCREW, PAN HEAD	2	
33	92990-05100-00	WASHER, SPRING	2	
34	92901-05600-00	WASHER, PLATE	2	
35	98580-06012-00	SCREW, PAN HEAD	1	
36	98580-04008-00	SCREW, PAN HEAD	2	
37	92901-04600-00	WASHER, PLATE	2	
38	55K-82150-01-00	FUSE HOLDER ASS'Y (55K-82150-00-00)	1	
39	116-82151-00-00	. FUSE (10A)	1	
40	353-81970-63-00	RECTIFIER ASSEMBLY	1	STANLEY
41	98580-05016-00	SCREW, PAN HEAD	1	
42	7H5-87219-00-00	DAMPER CONTROL	1	
43	90101-06484-00	BOLT	1	
44	90179-06300-00	NUT	1	
45	95380-06700-00	NUT	1	
46	92990-06600-00	WASHER, PLATE	1	
47	92995-06100-00	WASHER, SPRING	1	
48	7EL-87226-20-00	WIRE HARNESS	1	U.R.
	7EM-87226-00-00	WIRE HARNESS (DVE)	1	
49	7EL-87138-20-00	LEAD WIRE ASSEMBLY 1	1	
50	73A-87261-00-00	EMBLEM 1	1	

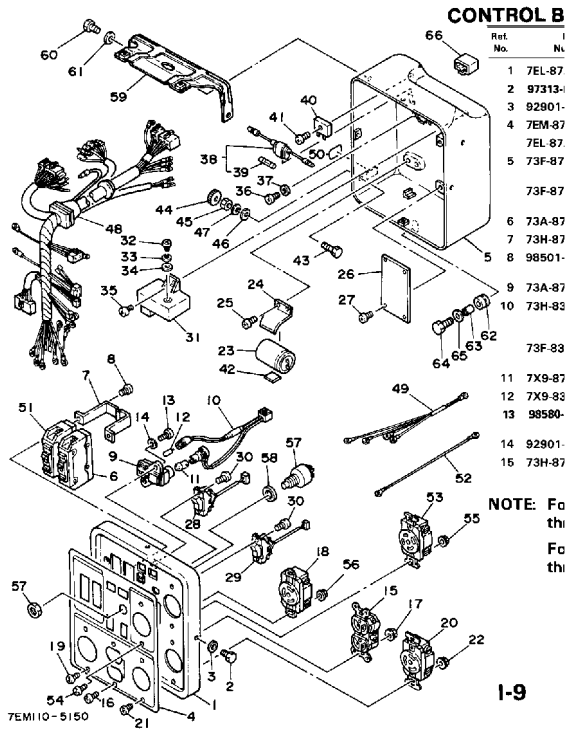
CONTINUED ON NEXT FRAME ►

CONTROL BOX(~7EM-000970 EC5000DVE ~7EM



Ref. No.	Part Number	Description	Qty	Remarks
51	73H-87204-00-00	BREAKER	1	19.0A KM-1G
52	73H-87224-90-00	WIRE, LEAD 2	1	
53	73H-87222-70-00	RECEPTACLE 2	1	U.R. P&S 114-20R US
54	98580-04008-00	SCREW, PAN HEAD	2	
55	95701-04500-00	NUT, FLANGE	2	
56	95701-04500-00	NUT, FLANGE	2	
57	682-81870-00-00	START SWITCH ASSEMBLY ..	1	
58	7EM-87294-00-00	SPACER 1	1	
59	73A-22835-00-00	STAY, CONTROL BOX	1	
60	97013-06012-00	BOLT	2	
61	90201-061A5-00	WASHER, PLATE	2	
62	90480-12475-00	GROMMET	1	
63	90387-08747-00	COLLAR	1	
64	97011-06020-00	BOLT	1	
65	90201-06067-00	WASHER, PLATE	1	
66	73A-82599-10-00	COVER, CONNECTER	1	

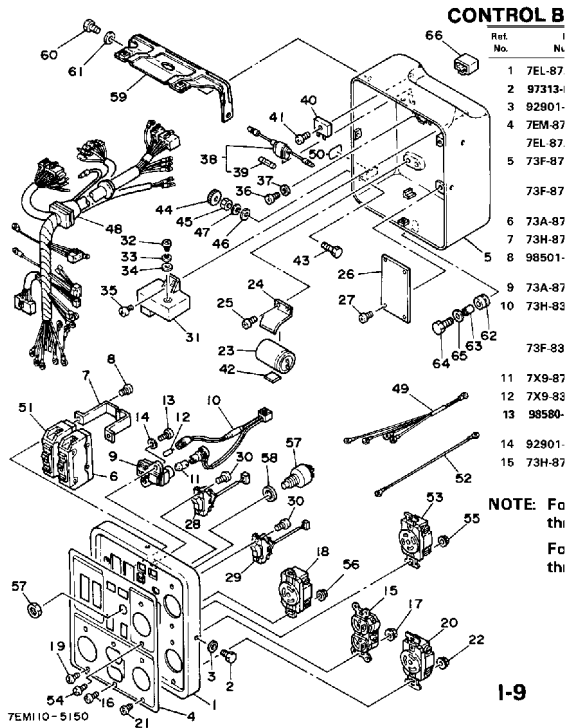
CONTROL BOX (7EM-000971~EC5000DVE 7EM-



Ref. No.	Part Number	Description	Qty	Remarks
1	7EL-87211-20-86	BOX, CONTROL	1	NAIAD BLUE
2	97313-05010-00	BOLT, HEXAGON	4	
3	92901-05600-00	WASHER, PLATE	4	
4	7EL-87217-20-00	PLATE, CONTROL (DV)	1	U.R.
	7EM-87217-00-00	PLATE, CONTROL (DVE)	1	U.R.
5	73F-87213-10-86	COVER CONTROL BOX	1	U.R. NAIAD BLUE
6	73A-87204-10-00	BREAKER	1	37.0A KM-1G
7	73H-87244-00-00	HOLDER, BREAKER	1	
8	98511-04006-00	SCREW, PAN HEAD (98501-04005)	2	
9	73A-87253-00-00	HOLDER, SOCKET	1	
10	73F-83520-20-00	SOCKET CORD ASSEMBLY (DV)	1	U.R.
	73H-83520-80-00	SOCKET CORD ASSEMBLY (73A-83520-00)	1	U.R.
11	705-84347-00-0	UNAVAILABLE IN PRICE BOOK (7X9-87254-00)	1	
12	7X9-83531-00-00	BULB, PILOT	1	
13	98580-04008-00	SCREW, PAN HEAD	2	
14	92901-04600-00	WASHER, PLATE	2	
15	73H-87221-90-00	CONSENT 1 (P&S 5-20R)	1	P&S 5-20R US
16	98580-04008-00	SCREW, PAN HEAD	2	
17	95701-04500-00	NUT, FLANGE	2	
18	73H-87222-90-00	CONSENT 2	1	P&S 15-30R US
19	98580-04008-00	SCREW, PAN HEAD	2	
20	73H-87221-70-00	CONSENT 1	1	P&S 15-20R US
21	98580-04008-00	SCREW, PAN HEAD	2	
22	95701-04500-00	NUT, FLANGE	2	
23	78R-87107-00-00	CONDENSER ASSEMBLY	1	
24	73A-87216-00-00	HOLDER, CONDENSER	1	

CONTINUED ON NEXT FRAME ►

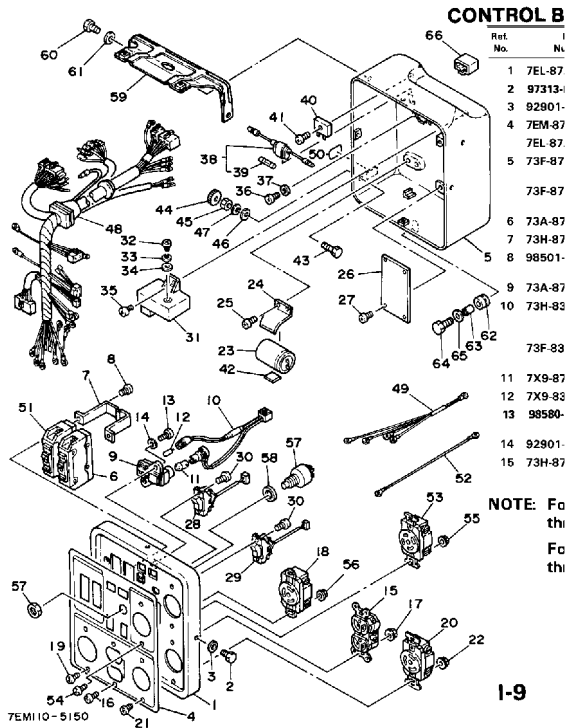
CONTROL BOX (7EM-000971~EC5000DVE 7EM-



Ref. No.	Part Number	Description	Qty	Remarks
25	98580-05010-00	SCREW, PAN HEAD	2	
26	73A-8722A-21-00	VOLTAGE REGLTR ASSEMBLY	1	
27	98511-04006-00	SCREW, PAN HEAD (98501-04005)	4	
28	7EL-82550-20-00	STOP SWITCH ASSEMBLY	1	
29	7AV-82567-00-00	SWITCH, THROTTLE	1	
30	98580-03008-00	SCREW, PAN HEAD	4	
31	7AV-87286-00-00	SLOW DOWN UNIT ASSEMBLY	1	
32	98580-06012-00	SCREW, PAN HEAD	2	
33	98511-04006-00	SCREW, PAN HEAD (98501-04005)	2	
34	92901-04600-00	WASHER, PLATE	2	
35	78N-87249-00-00	PLATE	1	
36	7EL-87225-20-00	WIRE, LEAD 3	1	
37	73H-8722X-90-00	WIRE, LEAD 4	1	
38	55K-82150-01-00	FUSE HOLDER ASS'Y (55K-82150-00-00)	1	
39	116-82151-00-00	. FUSE (10A)	1	
40	353-81970-63-00	RECTIFIER ASSEMBLY	1	STANLEY
41	98580-05016-00	SCREW, PAN HEAD	1	
42	7H5-87219-00-00	DAMPER CONTROL	1	
43	90101-06484-00	BOLT	1	
44	90179-06300-00	NUT	1	
45	95380-06700-00	NUT	1	
46	92990-06600-00	WASHER, PLATE	1	
47	92995-06100-00	WASHER, SPRING	1	
48	7EL-87226-21-00	WIRE HARNESS (DV)	1	U.R.
	7EM-87226-01-00	WIRE HARNESS (DVE)	1	
49	7EL-87138-20-00	LEAD WIRE ASSEMBLY 1	1	
50	73A-87261-00-00	EMBLEM 1	1	

CONTINUED ON NEXT FRAME ➤

CONTROL BOX (7EM-000971~EC5000DVE 7EM-



Ref. No.	Part Number	Description	Qty	Remarks
51	73H-87204-00-00	BREAKER	1	19.0A KM-1G
52	7EL-8722Y-20-00	WIRE, LEAD 5	1	
53	73H-87222-70-00	RECEPTACLE 2	1	U.R. P&S 114-20R US
54	98580-04008-00	SCREW, PAN HEAD	2	
55	95701-04500-00	NUT, FLANGE	2	
56	95701-04500-00	NUT, FLANGE	2	
57	682-81870-00-00	START SWITCH ASSEMBLY ..	1	
58	7EM-87294-00-00	SPACER 1	1	
59	73A-22835-00-00	STAY, CONTROL BOX	1	
60	97013-06012-00	BOLT	2	
61	90201-061A5-00	WASHER, PLATE	2	
62	90480-12475-00	GROMMET	1	
63	90387-08747-00	COLLAR	1	
64	97011-06020-00	BOLT	1	
65	90201-06067-00	WASHER, PLATE	1	
66	73A-82599-10-00	COVER, CONNECTER	1	
67	73A-87220-00-00	TERMINAL ASSEMBLY	1	
68	98511-04012-00	SCREW, PAN HEAD	2	
69	92901-04600-00	WASHER, PLATE	2	
70	95311-05700-00	NUT	1	
71	92990-05200-00	WASHER, PLAIN	1	