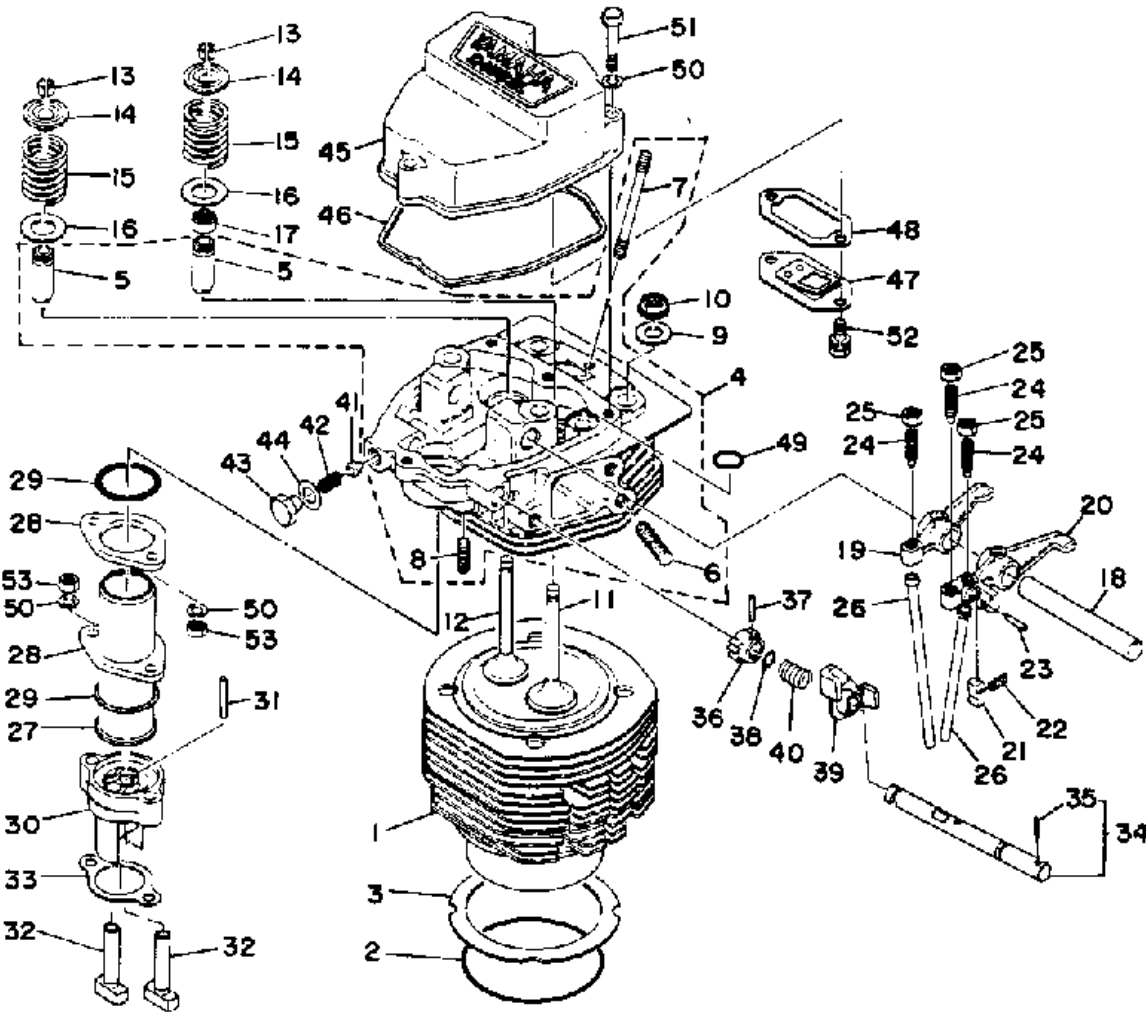




YAMAHA

**GENUINE
PARTS CATALOGUE
OUTDOOR POWER EQUIPMENT**

CYLINDER - CYLINDER HEAD

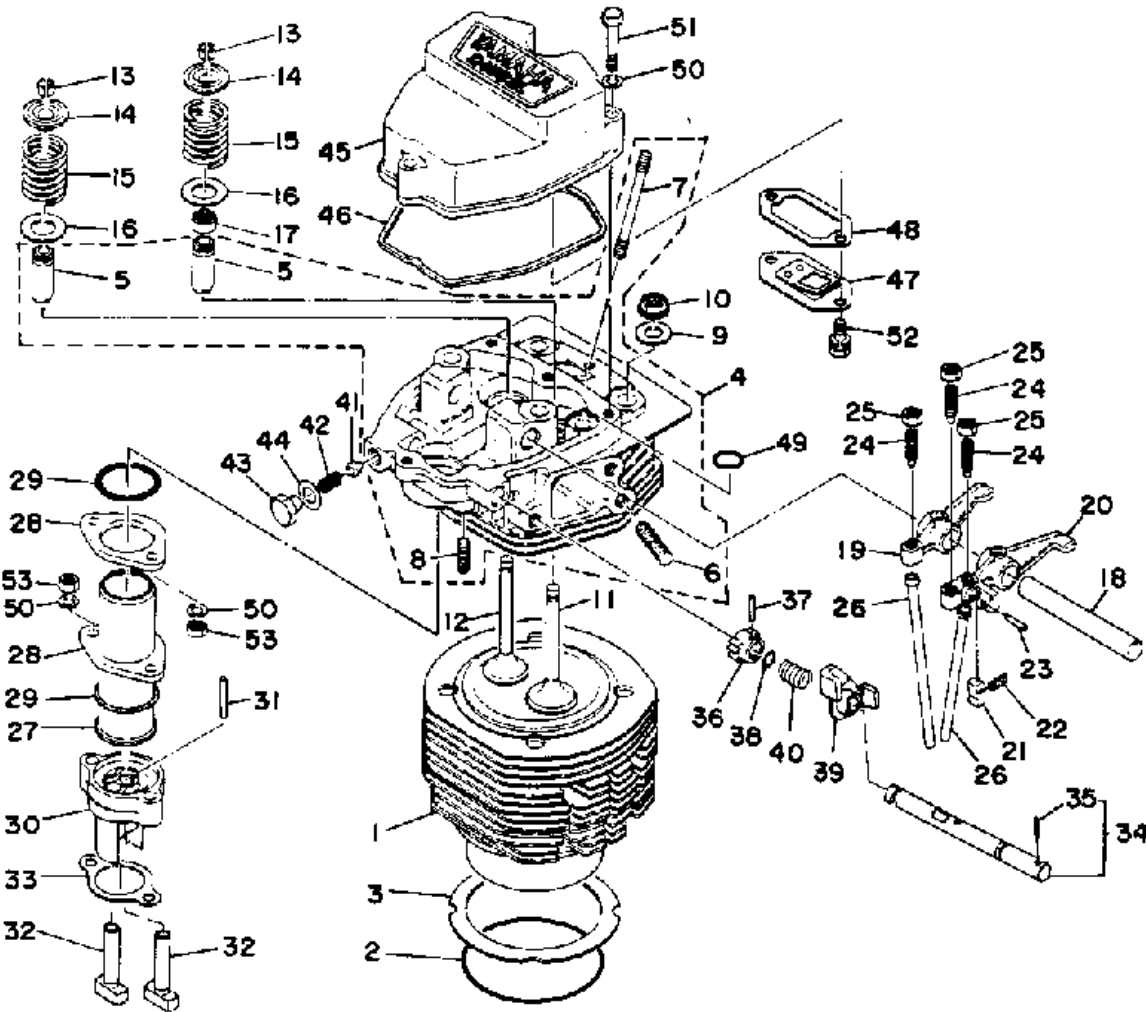


78N400-4020

Ref. No.	Part Number	Description	Qty	Remarks
1	YA2-31124-01-02	CYLINDER UNIT	1	
2	YA2-29150-11-03	O-RING (CYLINDER.) (CYLINDER)	1	
3	YA2-29150-12-13	SPACER (CYLINDER. T=0.1) (CYLINDER) (T=0.1)	1	UR
	YA2-29150-13-13	SPACER (CYLINDER. T=0.2) (CYLINDER) (T=0.2)	1	UR
4	YA2-29130-01-11	CYLINDER HEAD ASSEMBLY (YA2-29130-01-01)	1	
5	YA2-28142-02-03	. VALVE GUIDE	2	
6	YA0-01370-82-01	. STUD	6	
7	YA0-10506-01-50	. STUD	2	
8	YA0-01310-62-51	. STUD	2	
9	(YA0-20010-00-81)	WASHER	4	
10	YA0-18010-00-11	FLANGE NUT	4	
11	YA2-28334-01-03	VALVE, INTAKE	1	
12	YA2-28335-01-03	VALVE, EXHAUST	1	
13	YA2-28338-01-03	RETAINER LOCK	4	
14	YA2-28337-01-03	SPRING RETAINER	2	
15	YA2-28336-01-03	SPRING, VALVE	2	
16	YA0-20015-00-30	WASHER	2	
17	YA2-28350-03-03	SEAL, VALVE STEM	1	
18	YA2-28350-04-03	SHAFT, ROCKER	1	
19	YA2-28362-01-01	ARM, VALVE ROCK.EX.	1	
20	YA2-28363-01-01	ARM, VALVE ROCK.IN.	1	
21	YAE-28350-07-03	UNAVAILABLE IN PRICE BOOK	1	
22	YA2-28350-08-03	SPRING, RATCHET PIN (RATCHET PIN)	1	
23	YA0-05190-31-62	PIN, SPRING	1	
24	YA0-14906-00-80	SCREW, ADJUSTING	3	

CONTINUED ON NEXT FRAME ►

CYLINDER - CYLINDER HEAD

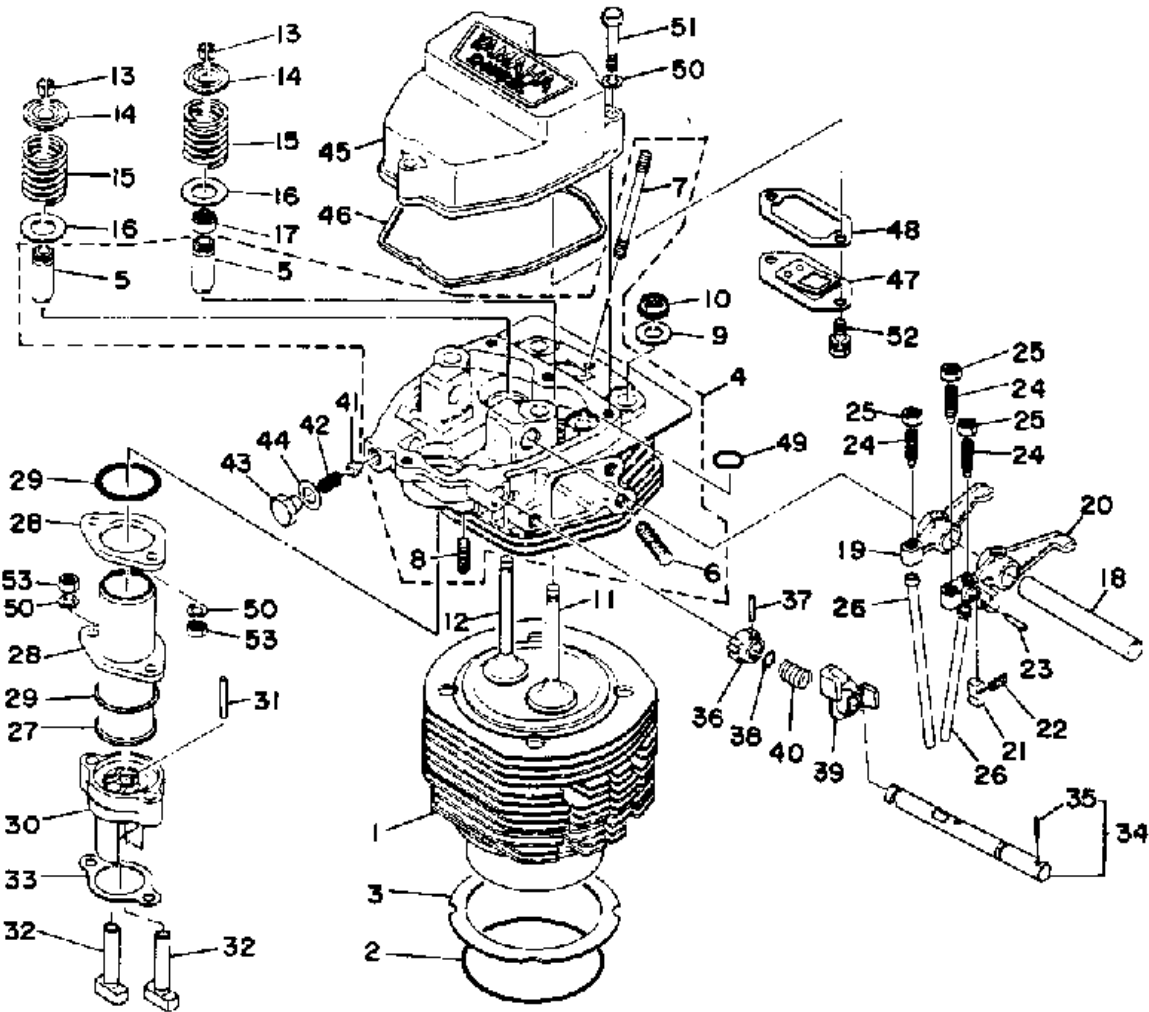


78N400-4020

Ref. No.	Part Number	Description	Qty	Remarks
25	YA0-17006-00-80	NUT	3	
26	YA2-31350-05-03	ROD, PUSH	2	
27	YA2-31356-01-01	SLEEVE, PUSH ROD	1	
28	YA2-28358-01-01	PLATE, PUSH ROD (PUSH ROD)	2	
29	YA0-24032-00-20	O-RING	2	
30	YA2-28357-01-03	GUIDE, TAPPET	1	
31	YA0-05190-32-82	PIN, SPRING	1	
32	YA2-28333-01-03	TAPPET	2	
33	YA2-28350-13-03	GASKET, TAP.GDE. (TAPPET GUIDE)	1	
34	YA2-28355-03-00	DECOMP.SHAFT ASSEMBLY. .	1	
35	YA0-05190-31-20	. PIN, SPRING	1	
36	YA2-28350-10-03	RACHET	1	
37	YA0-05190-31-62	PIN, SPRING	1	
38	YA0-06261-00-70	O-RING	1	
39	YA2-28355-31-01	DECOMP. LEVER ASSEMBLY.	1	
40	YA2-28350-15-01	SPRING, HOOK (HOOK)	1	
41	YA2-28350-11-03	PIN, DECOMP.	1	
42	YA2-28350-12-03	SPRING, DECOMP.	1	
43	YA0-09011-00-00	FILLER	1	
44	YA0-03701-00-00	GASKET, (ALUM) (ALUMINUM)	1	
45	YA2-28170-52-03	COVER, ROCKER	1	
46	YA2-28150-10-03	GASKET, ROCKER COV (ROCKER COVER)	1	
47	YA2-28153-01-01	BREATHER PLATE ASSEMBLY	1	
48	YA2-28150-09-03	GASKET, BREATHER (BREATHER)	1	
49	YA0-24013-00-10	O-RING	1	
50	YA0-03200-60-00	SPRING WASHER	7	

CONTINUED ON NEXT FRAME ►

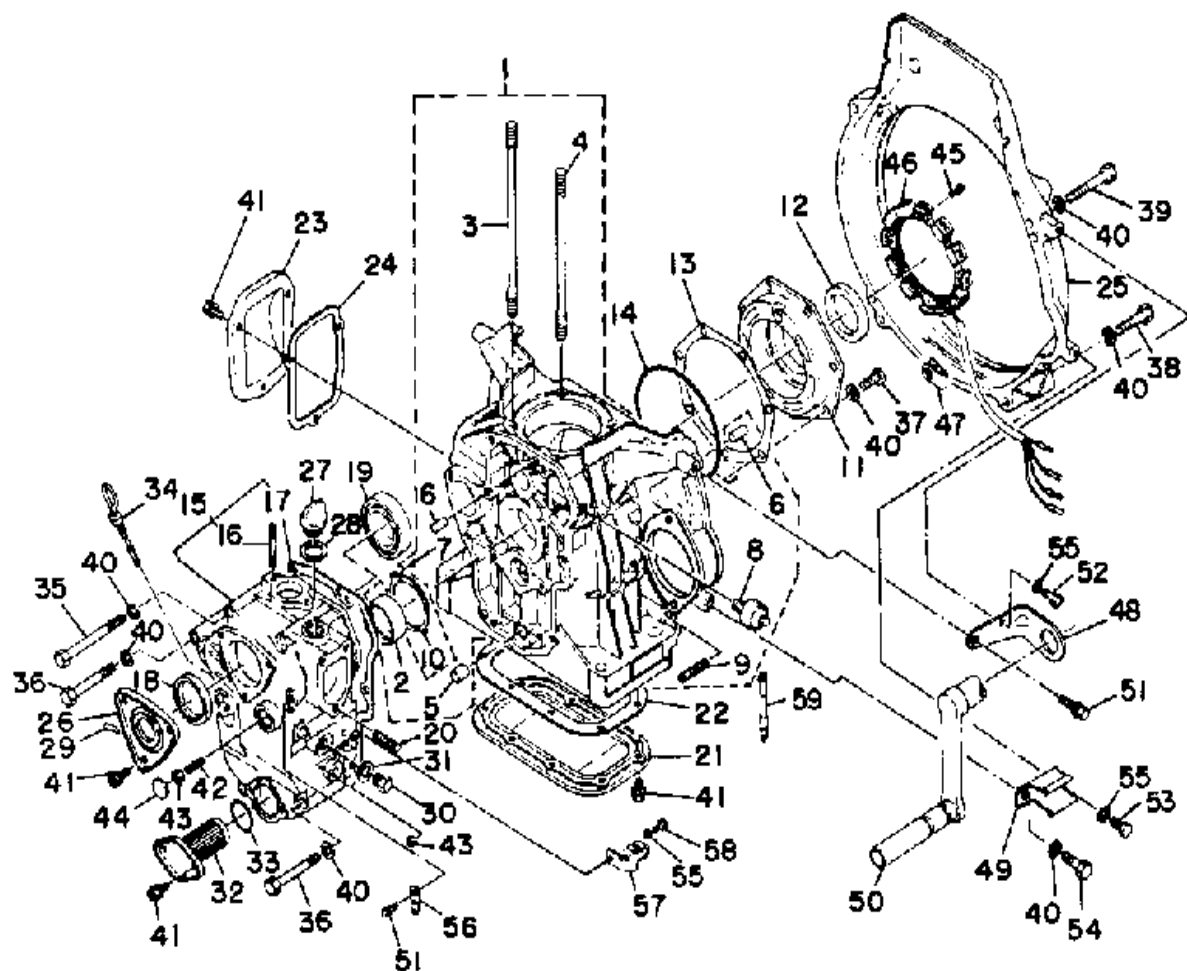
CYLINDER - CYLINDER HEAD



78N400-4020

Ref. No.	Part Number	Description	Qty	Remarks
51	YA0-01660-64-00	BOLT	3	
52	YA9-80050-60-10	BOLT & WASHER ASSEMBLY.	2	
53	95380-06600-00	NUT	4	

CRANKCASE

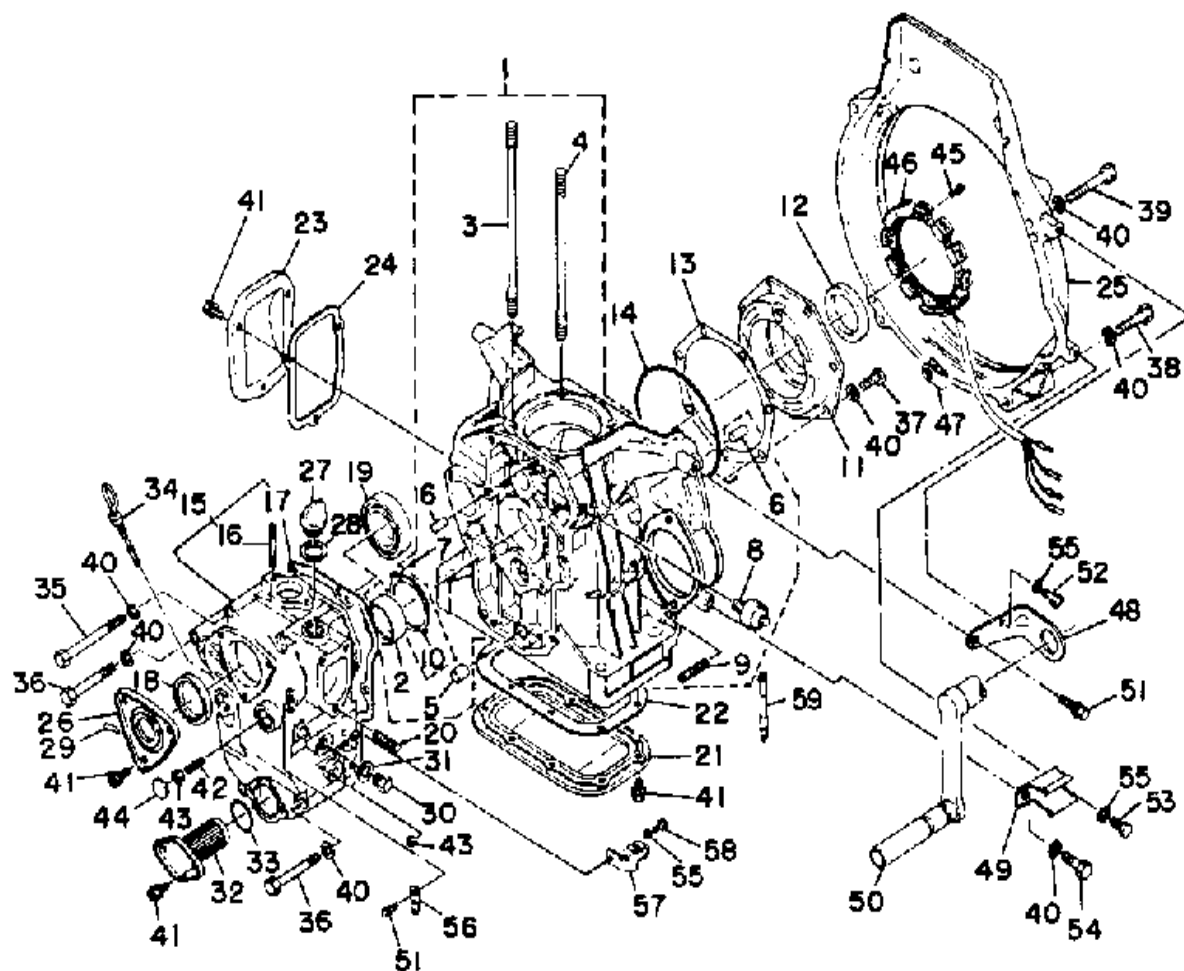


78T110-5010

Ref. No.	Part Number	Description	Qty	Remarks
1	YA2-31101-06-01	CRANK CASE ASSEMBLY. . . .	1	
2	YA2-28158-01-03	. MAIN BEARING (STD) (STD) .	1	
	YA2-28158-02-03	. MAIN BEAR (U/S.25MM (U/S 0.25MM))	1	
	YA2-28158-03-03	MAIN BEAR (U/S.50MM (U/S 0.50MM).)		1
3	YA2-31160-01-01	. TENSION BOLT 1	2	
4	YA2-31160-02-01	. TENSION BOLT 2	2	
5	YA2-28150-03-13	. PIPE KNOCK	1	
6	YA0-05260-81-80	. DOWEL PIN	4	
7	YA0-05192-50-60	. SPRING PIN	2	
8	YA2-28650-25-03	. OIL PRESSURE SW.	1	
9	YA0-10508-00-44	. STUD	2	
10	YA2-28150-02-03	THRUST BEARING	1	
11	YA2-31115-02-11	BEAR HOUSING COMP.	1	
12	YA0-44040-00-20	OIL SEAL	1	
13	YA2-31150-04-03	GASKET, BRG HS (T.1) (BEARING HOUSING) (T=0.1)	1	UR
	YA2-31150-05-03	GASKET, BRG HS (T.2) (BEARING HOUSING) (T=0.2)	1	UR
	YA2-31150-06-03	GASKET, BRG HS (T.3) (BEARING HOUSING) (T=0.3)	1	UR
14	YA2-31150-14-03	O-RING (BRNG HSG) (BEARING HOUSING)	1	
15	YA2-31114-01-01	GEAR CASE COV.ASSEMBLY.	1	
16	YA0-01320-64-50	STUD	2	
17	YA2-31150-07-03	. GASKET, (CASE COV.) (CASE COVER)	1	
18	YA0-44035-01-00	OIL SEAL	1	
19	YA0-60035-00-40	BALL BEARING	1	
20	YA0-01320-83-51	STUD	3	

CONTINUED ON NEXT FRAME ➤

CRANKCASE

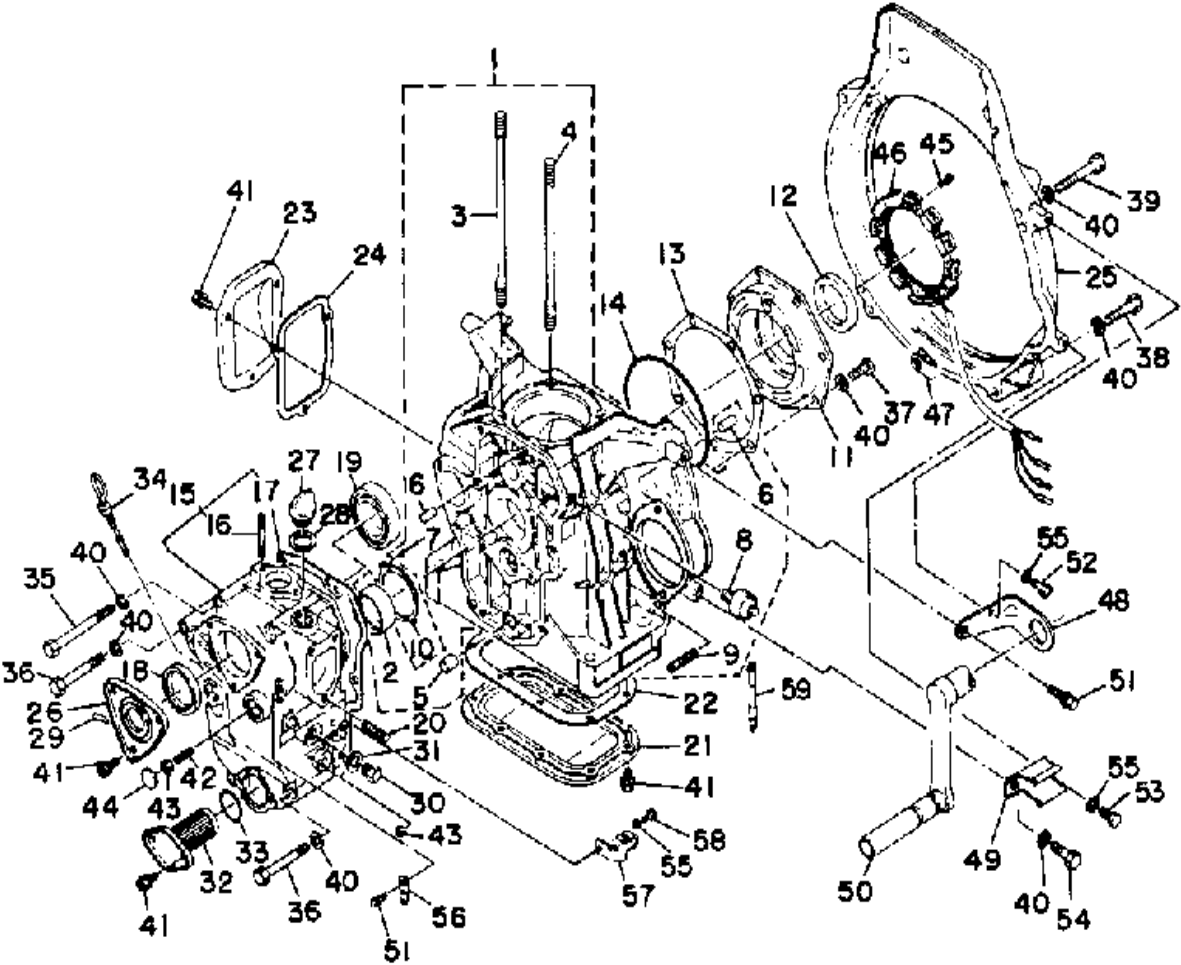


78T110-5010

Ref. No.	Part Number	Description	Qty	Remarks
21	YA2-31116-01-03	OIL PAN	1	
22	YA2-31150-08-03	GASKET, OIL PAN (OIL PAN) .	1	
23	YA2-28260-01-01	COVER, BALANCER	1	
24	YA2-28250-01-03	GASKET, BAL. COVER (BALANCER COVER)	1	
25	YA2-31512-01-03	BLOWER HOUSING	1	
26	YA2-31560-01-01	HANDLE GUIDE	1	
27	YA2-28650-03-03	PLUG	1	
28	YA0-21320-00-10	GASKET	1	
29	YA2-28950-01-03	LABEL (CRANKING) (CRANKING)	1	
30	YA0-09021-20-00	FILLER	1	
31	YA0-03701-20-00	GASKET (ALUM) (ALUMINUM)	1	
32	YA2-28643-01-00	OIL FILTER ASSEMBLY.	1	
33	YA2-28643-01-00	OIL FILTER ASSEMBLY.	1	
34	YA2-31636-01-01	OIL GAUGE ASSEMBLY.	1	
35	YA0-01660-88-50	BOLT	4	
36	YA0-01660-86-50	BOLT	4	
37	YA0-01660-82-20	BOLT	7	
38	YA0-01660-84-00	BOLT	2	
39	YA0-01660-85-50	BOLT	2	
40	YA0-03200-80-00	SPRING WASHER	20	
41	YA9-80050-60-10	BOLT & WASHER ASSEMBLY.	16	
42	YA0-14906-00-70	ADJUSTING SCREW	1	
43	95380-06600-00	NUT	2	
44	YA0-41122-00-00	BLIND PLUG	1	
45	YA0-43504-12-0	UNAVAILABLE IN PRICE BOOK	4	
46	YA2-28704-02-08	STARTER ASSEMBLY.	1	
47	YA2-28750-01-01	CLAMP ASSEMBLY.	1	

CONTINUED ON NEXT FRAME ►

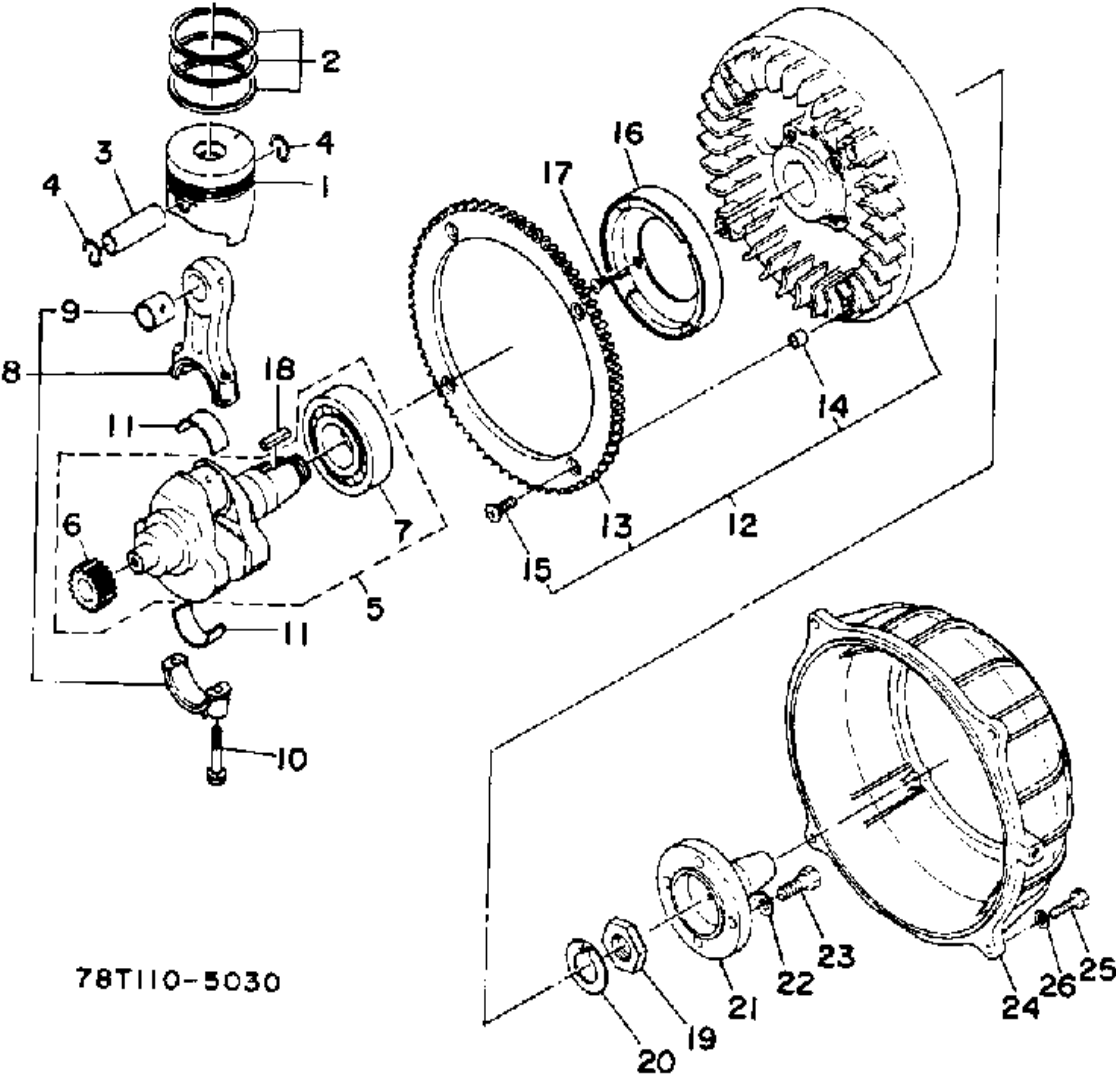
CRANKCASE



Ref. No.	Part Number	Description	Qty	Remarks
48	YA2-28561-20-01	HANDLE BRACKET	1	
49	YA2-28562-10-11	CATCHER	1	
50	YA2-28553-02-11	STARTING HAND.ASSEMBLY .	1	
51	YA0-01130-82-00	BOLT, WASHER ASSEMBLY. .	2	
52	YA0-01660-61-40	BOLT	1	
53	YA0-01660-61-20	BOLT	1	
54	YA0-01660-81-20	BOLT	1	
55	YA0-03200-60-00	SPRING WASHER	3	
56	YA2-28450-12-01	BRACKET, SPRING (SPRING) .	1	
57	YA2-28442-30-01	WIRE BRACKET 4	1	
58	YA0-01650-62-20	BOLT	1	
59	YA2-28731-18-01	WIRE 4 COMP.	1	

78T110-5010

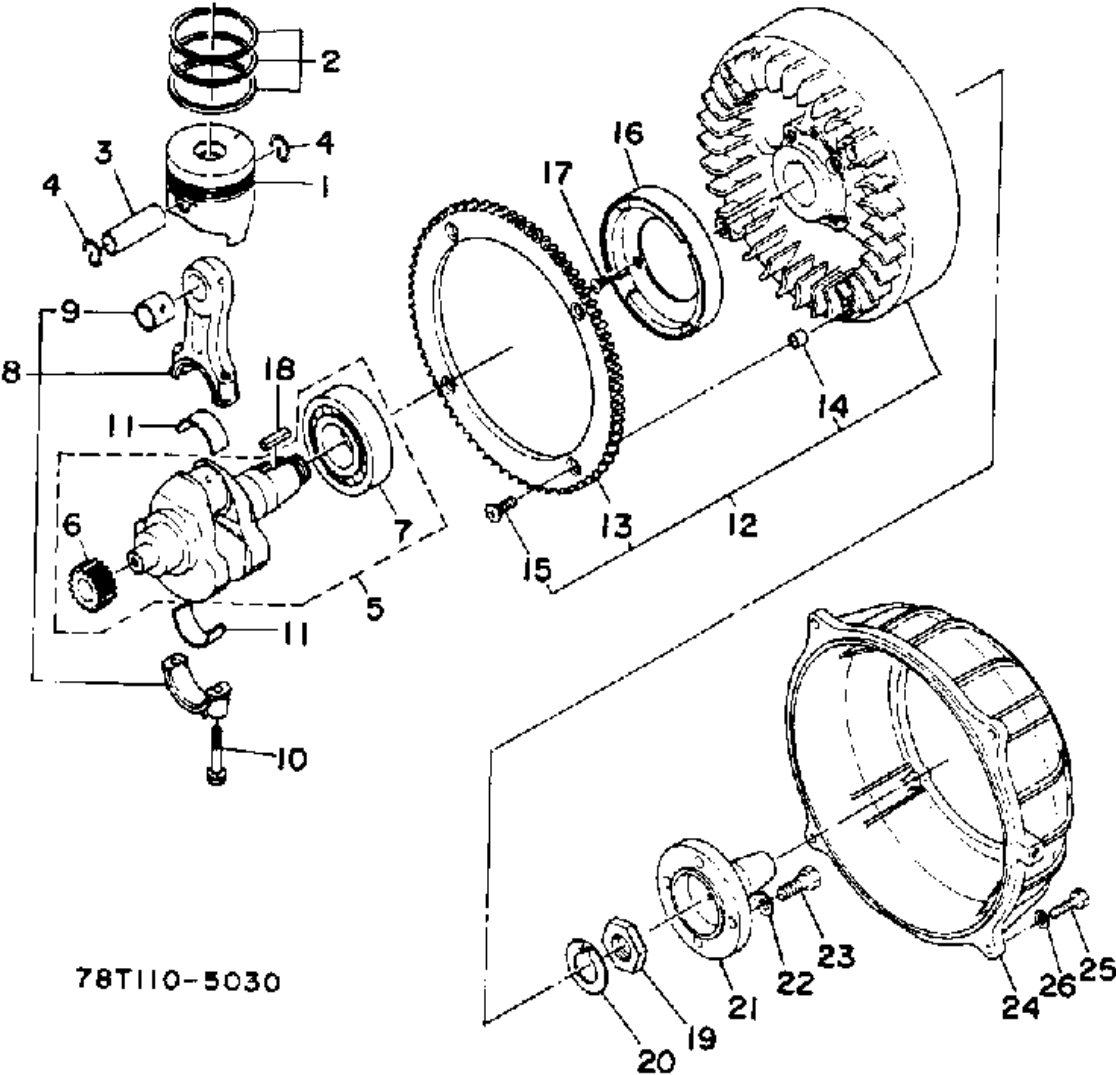
CRANKSHAFT - PISTON



Ref. No.	Part Number	Description	Qty	Remarks
1	YA2-31234-01-13	PISTON (STD) (STD)	1	
	YA2-31234-02-13	PISTON (O/S 0.25) (O/S 0.25MM)	1	
	YA2-31234-03-13	PISTON (O/S 0.50) (O/S 0.50MM)	1	
2	YA2-29235-01-17	PISTON RINGSET STD (STD)	1	
	YA2-29235-02-17	PISTON RINGSET .25 (0.25)	1	
	YA2-29235-03-17	PISTON RINGSET .50 (O/S 0.50)	1	
3	YA2-28233-01-03	PISTON PIN	1	
4	YA0-56521-00-10	CLIP	2	
5	YA2-31201-01-01	CRANKSHAFT ASSEMBLY.	1	
6	YA2-28223-01-03	. GEAR, CRANKSHFT	1	
7	YA0-60040-00-30	. BALL BEARING	1	
8	YA2-31225-01-00	CONNECTING ROD ASSEMBLY	1	
9	YA2-28229-01-13	. BUSH, SMALL END	1	
10	YA2-31230-01-03	BOLT, CON ROD	2	
11	YA2-28228-01-13	BEARING, LG.END STD (STD)	2	
	YA2-28228-02-13	BEAR, LG.END U/S.25 (U/S 0.25MM)	2	
	YA2-28228-03-13	BEAR, LG.END U/S.50 (U/S 0.50MM)	2	
12	YA2-31224-02-11	FLYWHEEL ASSEMBLY.	1	
13	YA2-28701-03-00	. UNAVAILABLE IN PRICE BOOK	1	
14	YA2-28250-03-03	. PIPE KNOCK	4	
15	YA0-04110-82-50	. SCREW	4	
16	YA2-28704-01-08	FLYWHEEL	1	
17	YA0-04110-61-00	SCREW	3	
18	YA0-05300-72-01	KEY	1	
19	YA0-17326-00-10	NUT, LOCK	1	

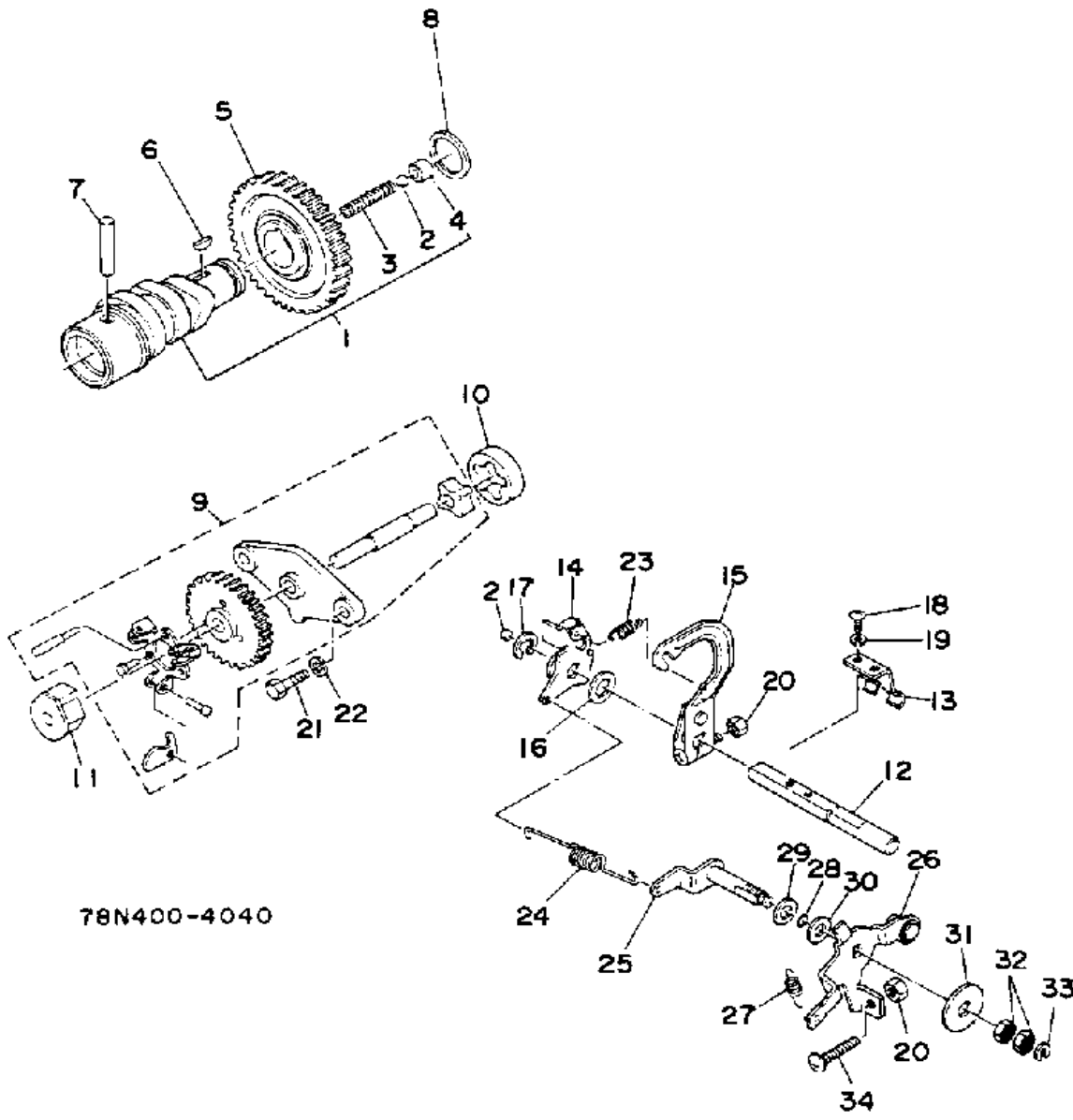
CONTINUED ON NEXT FRAME ➤

CRANKSHAFT - PISTON



Ref. No.	Part Number	Description	Qty	Remarks
20	YA0-20526-00-11	WASHER, LOCK	1	
21	YA2-28244-02-03	DRIVING SHAFT	1	
22	YA0-03201-00-00	SPRING WASHER	4	
23	(YA0-01671-03-00)	BOLT	4	
24	YA2-28178-01-13	ADAPTER (GEN.) (GENERATOR)	4	
25	YA0-01660-82-50	BOLT	4	
26	YA0-03200-80-00	SPRING WASHER	4	

CAMSHAFT - GOVERNOR

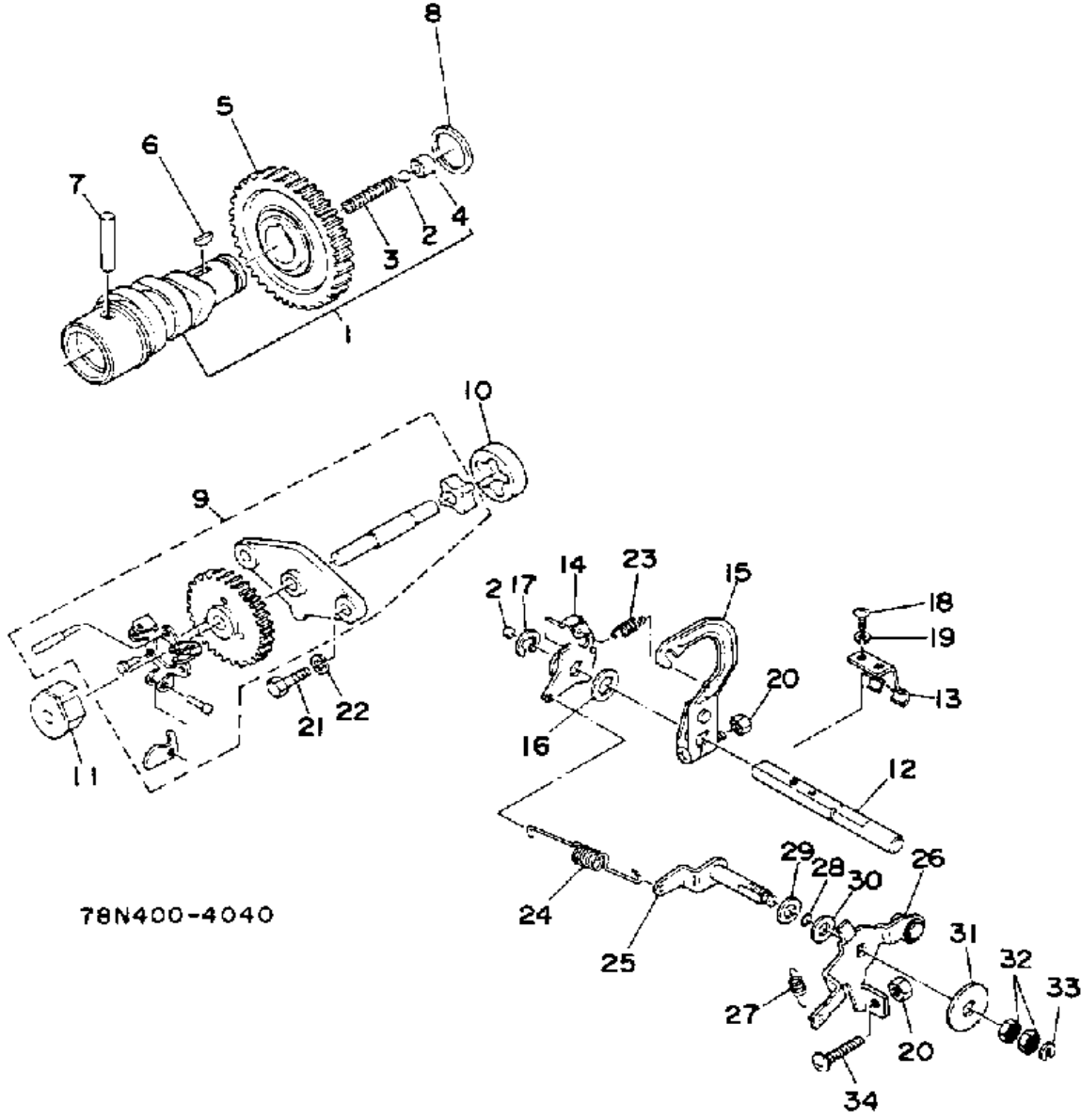


78N400-4040

Ref. No.	Part Number	Description	Qty	Remarks
1	YA2-28316-01-01	CAMSHAFT ASSEMBLY.	1	
2	(YA0-45006-00-10)	STEEL BALL	2	
3	YA2-28350-01-03	. SPRING (RELIEF)	1	
4	YA2-28350-14-03	. LOCK SLEEVE	1	
5	YA2-28332-50-03	GEAR, CAMSHAFT	1	
6	YA0-05320-42-01	KEY, WOODRUFF	1	
7	YA0-31008-00-70	DOWEL PIN	1	
8	YA0-23020-00-20	SPACER (T=0.8) (T=0.8)	1	UR
	YA0-23020-00-30	SPACER (T=1.0) (T=1.0)	1	UR
	YA0-23020-00-40	SPACER (T=1.2) (T=1.2)	1	UR
9	YA2-28417-01-30	GOVERNOR PLATE ASSEMBLY	1	
10	YA2-28639-02-03	OIL PUMP (OUTER) (OUTER) .	1	
11	Y22-84191-00-1	UNAVAILABLE IN PRICE BOOK	1	
12	YA2-28422-01-03	SHAFT, GOVERNOR	1	
13	YA2-28421-01-23	YOKE, GOVERNOR	1	
14	YA2-28423-01-03	LEVER 1, GOVERNOR	1	
15	YA2-28423-10-02	LEVER 2 UNIT, GOV.	1	
16	YA0-03101-00-00	WASHER	1	
17	YA0-03130-80-00	CLIP	1	
18	YA0-04310-51-20	SCREW	2	
19	YA0-03200-50-00	WASHER, SPRING	2	
20	95380-06600-00	NUT	2	
21	YA0-01660-62-00	BOLT	2	
22	YA0-03200-60-00	SPRING WASHER	2	
23	YA2-28450-01-33	SPRING, START	1	
24	YA2-28425-01-23	SPRING, GOVERNOR	1	
25	YA2-28429-01-01	CONTROL LINK ASSEMBLY. ..	1	
26	YA2-31433-13-01	SPEED CONTRL 1 ASSEMBLY	1	
27	YA2-28460-06-01	SPRING, RETURN	1	

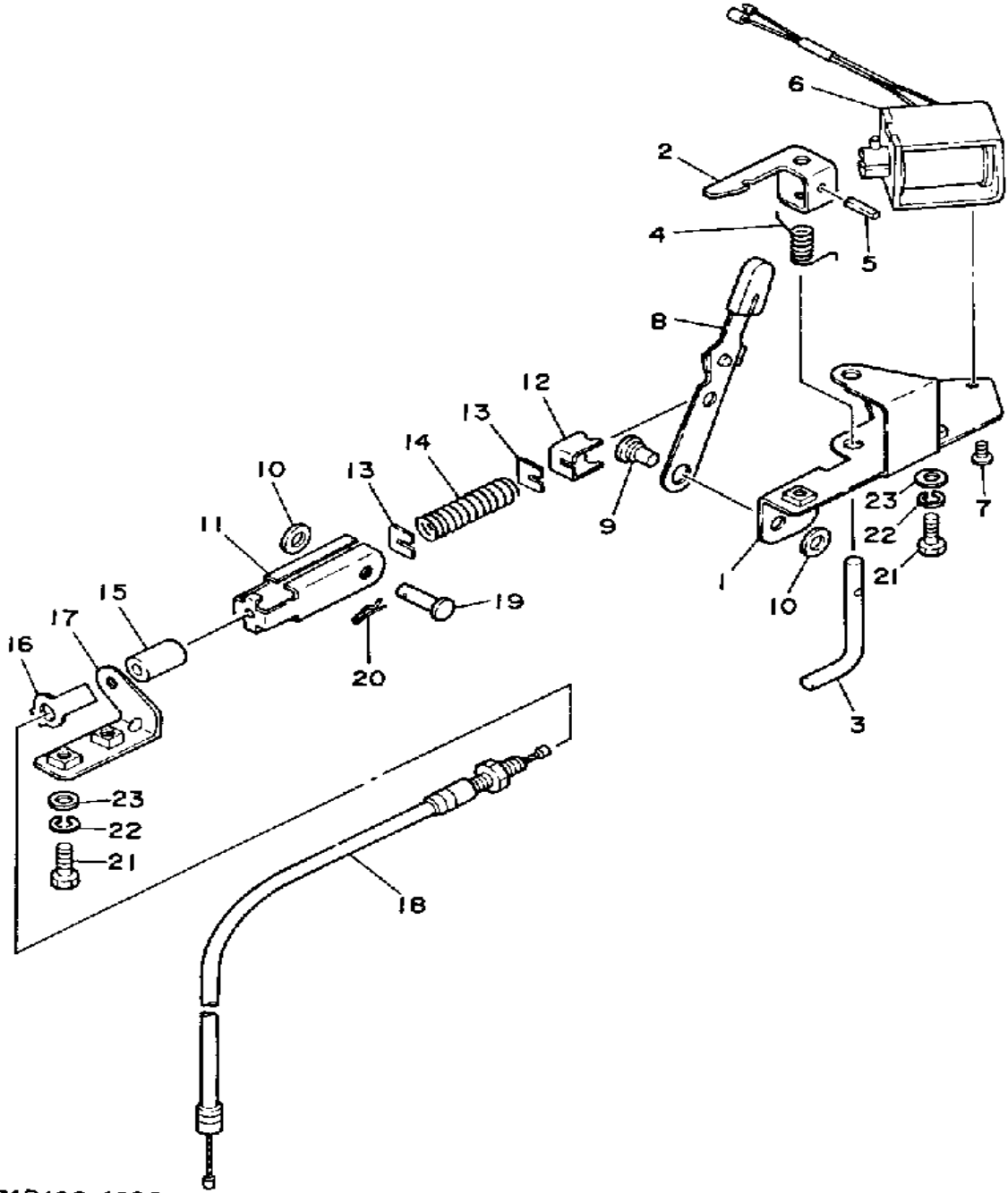
CONTINUED ON NEXT FRAME ➤

CAMSHAFT - GOVERNOR



Ref. No.	Part Number	Description	Qty	Remarks
28	YA0-06261-00-50	O-RING	1	
29	YA0-23008-00-10	SPACER	1	
30	YA0-21708-00-10	WASHER, FRICTION	1	
31	YA0-20008-00-90	WASHER	1	
32	90170-07018-00	NUT (YA0-02280-80)	2	
33	YA0-56504-00-10	CLIP	1	
34	YA0-04310-63-50	SCREW	1	

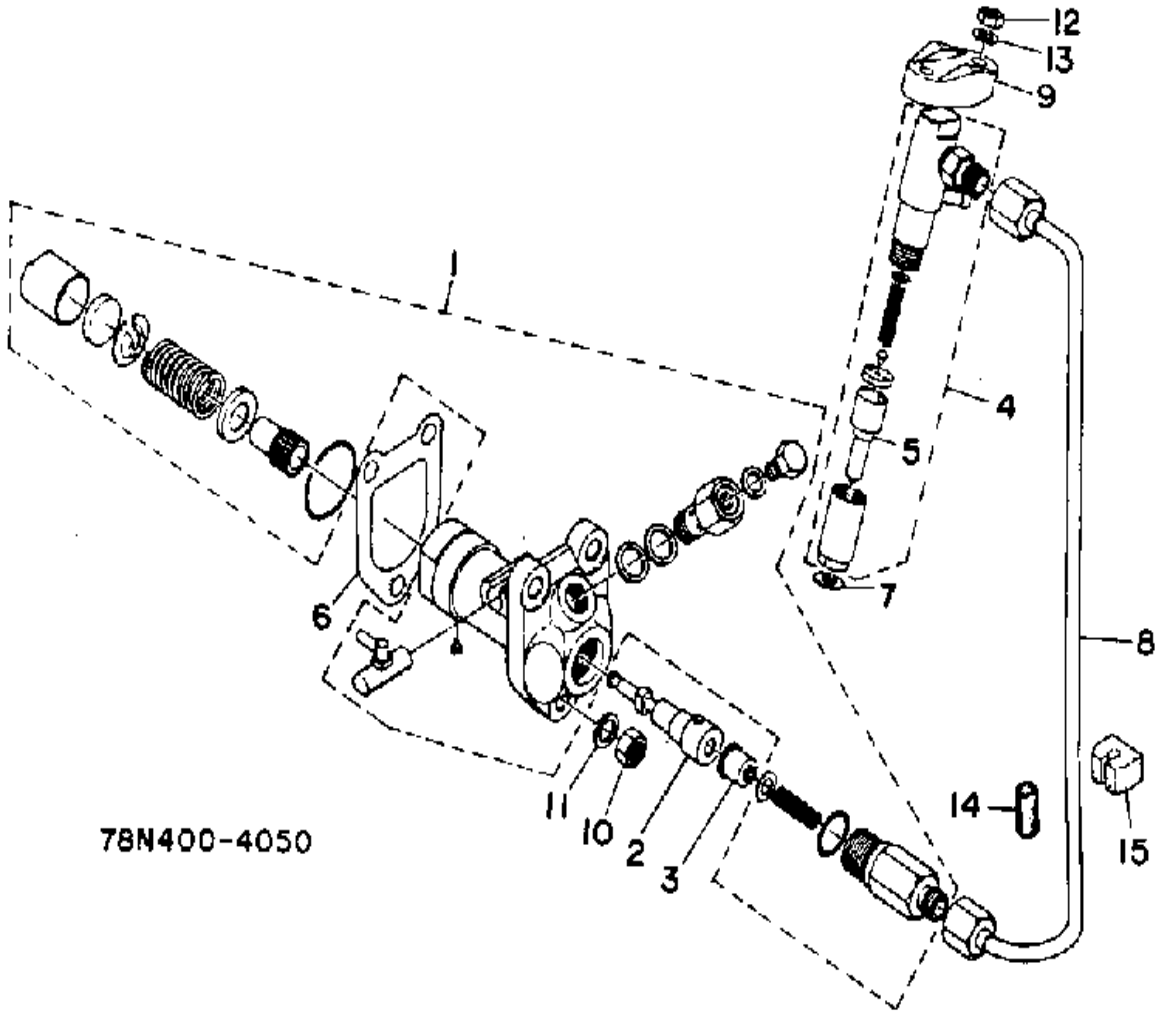
GOVERNOR



7AR400-4090

Ref. No.	Part Number	Description	Qty	Remarks
1	78N-11951-01-00	PLATE	1	
2	78N-11939-00-00	LEVER, STOPPER	1	
3	78N-11942-00-00	SHAFT	1	
4	90508-10N00-00	SPRING, TORSION	1	
5	91609-20014-00	PIN, SPRING	1	
6	78N-86110-00-	UNAVAILABLE IN PRICE BOOK	1	
7	98511-04006-00	SCREW, PAN HEAD (98501-04005)	3	
8	78N-11931-00-00	LEVER	1	
9	90249-06N01-00	PIN	1	
10	92901-06600-00	WASHER	2	
11	78N-26347-00-00	JOINT, CABLE	1	
12	78N-11911-00-00	RETAINER	1	
13	78N-11932-00-00	SETTER, WIRE	2	
14	90501-14N08-00	SPRING, CMPRSSN.	1	
15	90445-10N10-00	HOSE	1	60HZ
16	78N-26393-00-00	HOLDER	1	
17	78N-22836-00-00	STAY, 3	1	
18	78N-26301-01-00	THROTTLE CABLE ASSEMBLY	1	
19	90240-06043-00	PIN, CLEVIS	1	
20	90468-10050-00	CLIP	1	
21	97301-06014-00	BOLT, HEXAGON	4	
22	92995-06100-00	WASHER, SPRING	4	
23	92901-06600-00	WASHER	4	

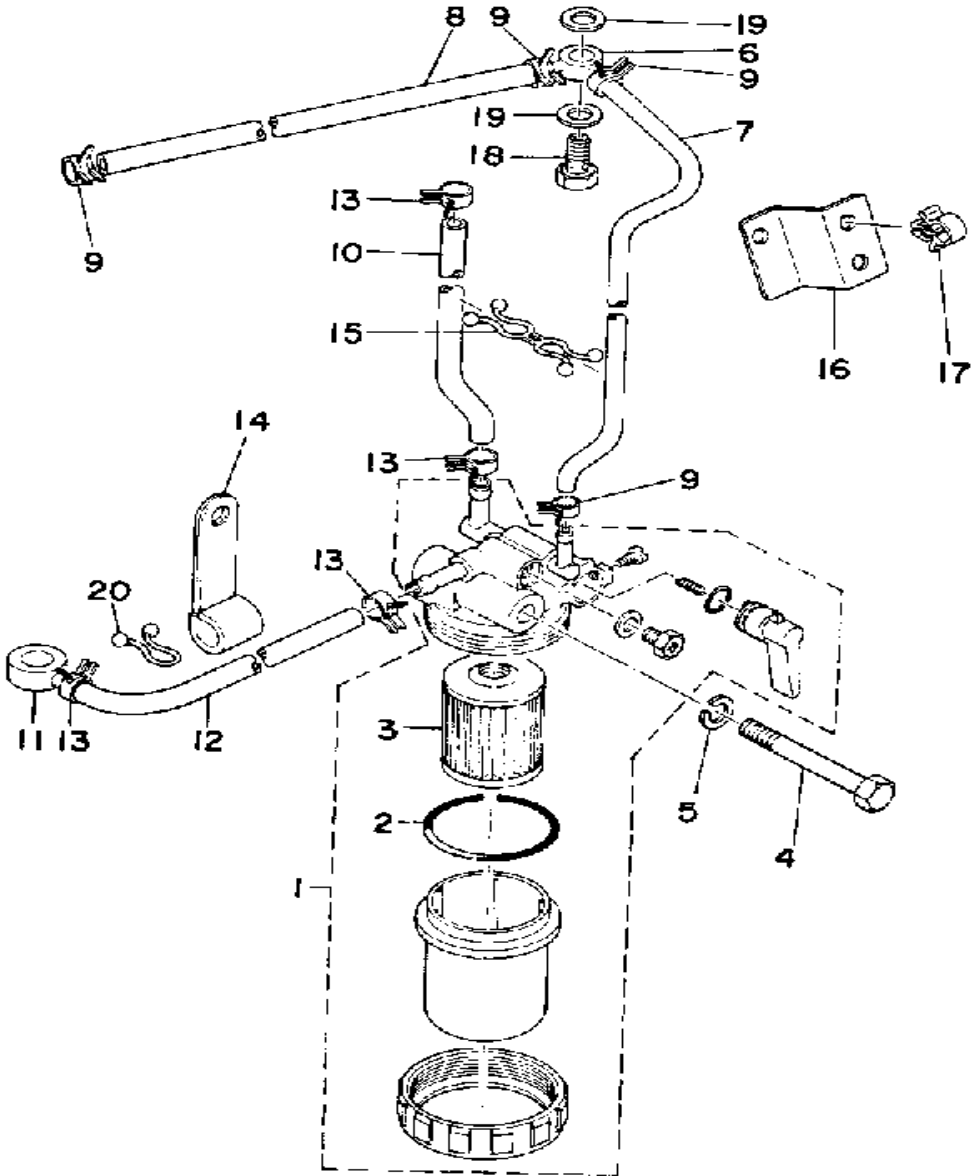
FUEL INJECTION NOZZLE



78N400-4050

Ref. No.	Part Number	Description	Qty	Remarks
1	YA2-28631-01-00	INJECTION PUMP ASSEMBLY	1	
2	YA2-28631-02-08	PLUNGER ASSEMBLY.	1	
3	YA2-28631-03-08	VALVE, DELIVERY	1	
4	YA2-28632-01-10	NOZZLE ASSEMBLY.	1	
5	YA2-28632-11-08	. NOZZLE	1	
6	YA2-28650-17-03	GASKET, PUMP (T=0.1) (PUMP) (T=0.1)	1	UR
	YA2-28650-18-03	GASKET, PUMP (T=0.3) (PUMP) (T=0.3)	1	UR
	YA2-28650-22-03	GASKET, PUMP (T=0.2) (PUMP) (T=0.2)	1	UR
7	YA2-28650-04-03	GASKET, NOZZLE (NOZZLE) ..	1	
8	YA2-31633-01-01	INJECTION, PIPE ASSEMBLY .	1	
9	YA2-28660-01-01	BRACKET (NOZZLE)	1	
10	95380-08600-00	NUT	3	
11	YA0-03200-80-00	SPRING WASHER	3	
12	95380-06600-00	NUT	2	
13	YA0-03200-60-00	SPRING WASHER	2	
14	YA2-28650-20-03	PIPE, RUBBER	1	
15	YA2-22650-06-03	GROMMET	1	

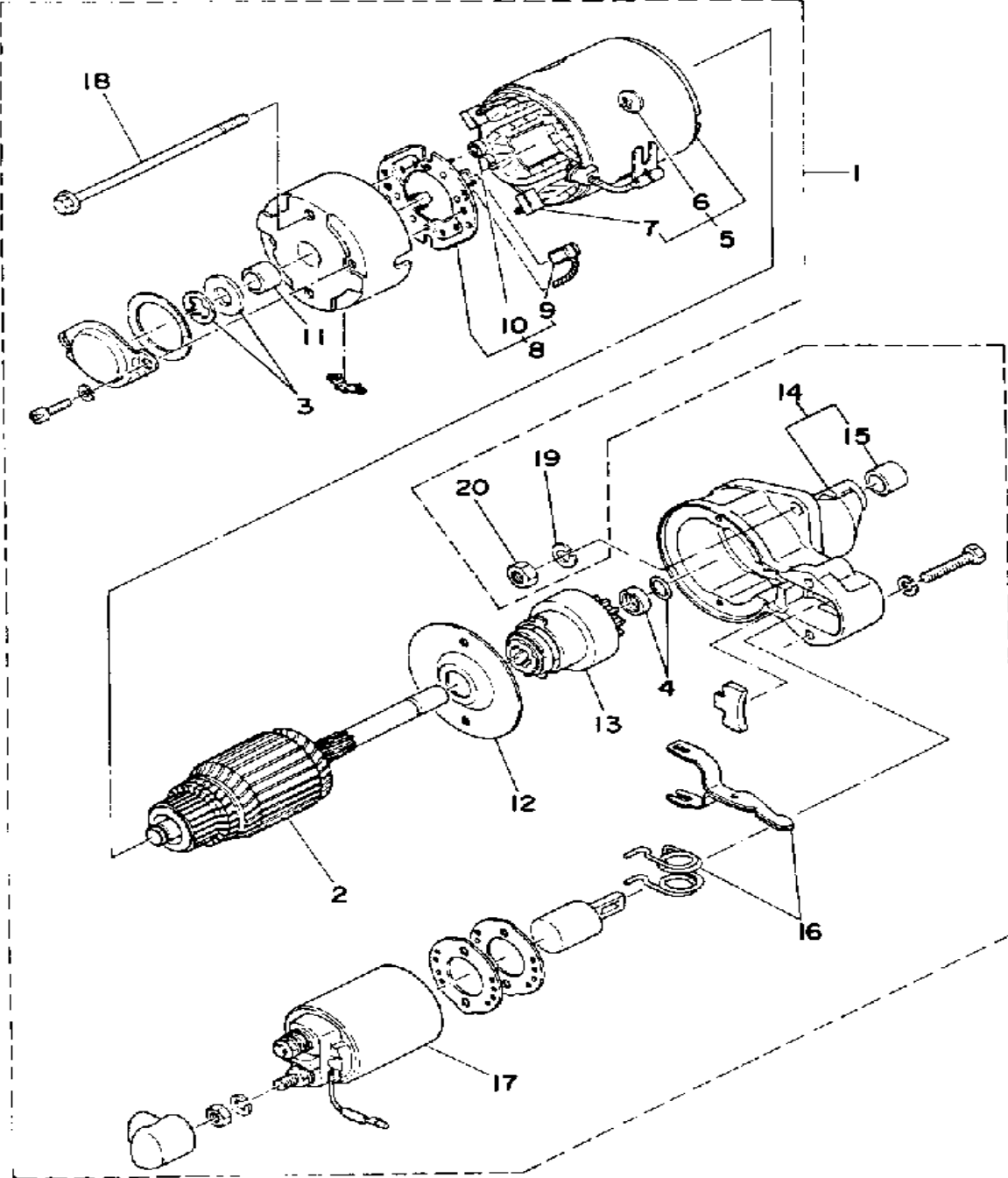
FUEL FILTER



Ref. No.	Part Number	Description	Qty	Remarks
1	YA2-28621-02-00	FUEL FILTER ASSEMBLY	1	
2	YA2-28621-09-08	O-RING	1	
3	YA2-28261-10-08	UNAVAILABLE IN PRICE BOOK	1	
4	YA0-01660-86-50	BOLT	1	
5	YA0-03200-80-00	SPRING WASHER	1	
6	YA2-28650-07-03	BANJO 3	1	
7	YA0-85104-00-00	PIPE, RUBBER (Y4.5XY9X1M)	1	
8	YA0-85104-00-00	PIPE, RUBBER (Y4.5XY9X1M)	1	
9	YA0-56108-00-10	HOSE CLAMP	2	
10	YA0-85106-00-00	RUBBER PIPE (6X12X1M)	1	
11	YA0-52105-00-12	BANJO	1	
12	YA0-85106-00-00	RUBBER PIPE (6X12X1M)	1	
13	YA0-56111-00-20	HOSE CLAMP	3	
14	YA2-28670-10-01	CLAMP COMP.	1	
15	YA2-28650-12-03	PURSE LOCK 2	1	
16	YA2-28675-01-01	BRACKET (FUEL PIPE)	1	
17	YA0-56809-00-10	CLAMP	1	
18	YA0-53008-00-10	BANJO BOLT	1	
19	YA0-03700-80-00	GASKET (ALUM) (ALUMINUM)	2	
20	YA2-17750-03-03	UNAVAILABLE IN PRICE BOOK	1	

78N400-4060

STARTING MOTOR

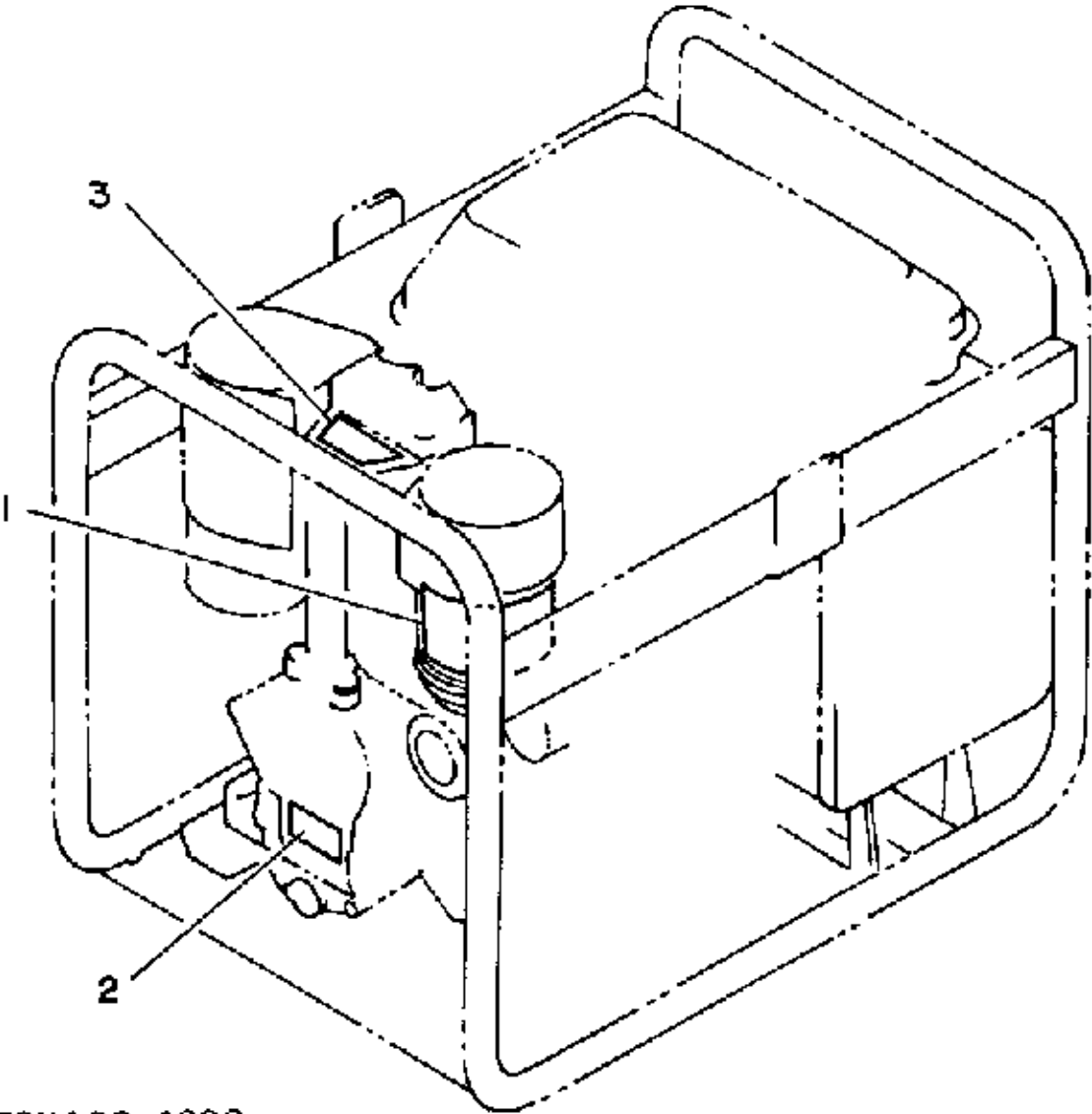


78N400-4080

Ref. No.	Part Number	Description	Qty	Remarks
1	YA2-10705-02-10	STARTING MOTOR ASSEMBLY	1	
2	YA2-10705-32-08	. ARMATURE ASSEMBLY.	1	
3	YA2-10705-33-08	. THRUST WASHER KIT	1	
4	YA2-10705-34-08	. PINION STOPPER SET	1	
5	YA2-10705-35-08	. FIELD COIL ASSEMBLY	1	
6	YA2-10705-08-08	.. SCREW, POLE CORE	4	
7	YA2-10705-39-08	.. BRUSH (+) (+)	2	
8	YA2-10705-38-08	. BRUSH HOLDER ASSEMBLY	1	
9	YA2-10705-40-08	.. BRUSH (-) (-)	2	
10	YA2-10705-41-08	.. SPRING, BRUSH	4	
11	YA2-10705-42-08	. REAR COVER METAL	1	
12	YA2-10705-43-08	. CENTER PLATE	1	
13	YA2-10705-44-08	. PINION ASSEMBLY	1	
14	YA2-10705-45-08	. GEAR CASE ASSEMBLY	1	
15	YA2-10705-47-08	.. GEAR CASE METAL	1	
16	YA2-10705-46-08	. SHIFT LEVER KIT	1	
17	YA2-10705-48-08	. MAGNETIC SWITCH	1	
18	YA2-10705-49-08	. BOLT, THROUGH	2	
19	YA0-03200-80-00	SPRING WASHER	2	
20	95380-08600-00	NUT	2	

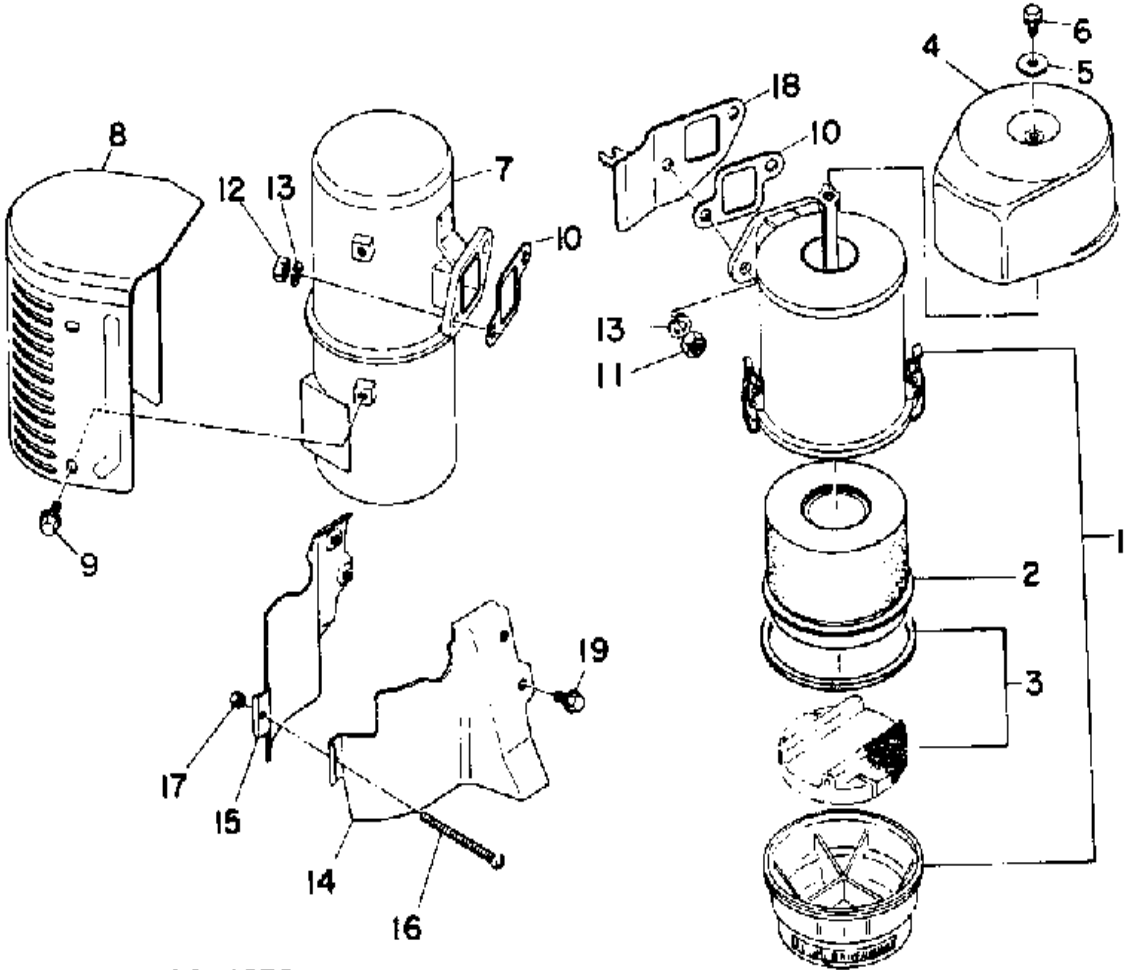
LABELS

Ref. No.	Part Number	Description	Qty	Remarks
1	78N-14488-00-00	LABEL, CAUTION	1	
2	73T-21793-00-00	ORNAMENT	1	
3	78N-24162-00-00	EMBLEM 2	1	



78N400-4090

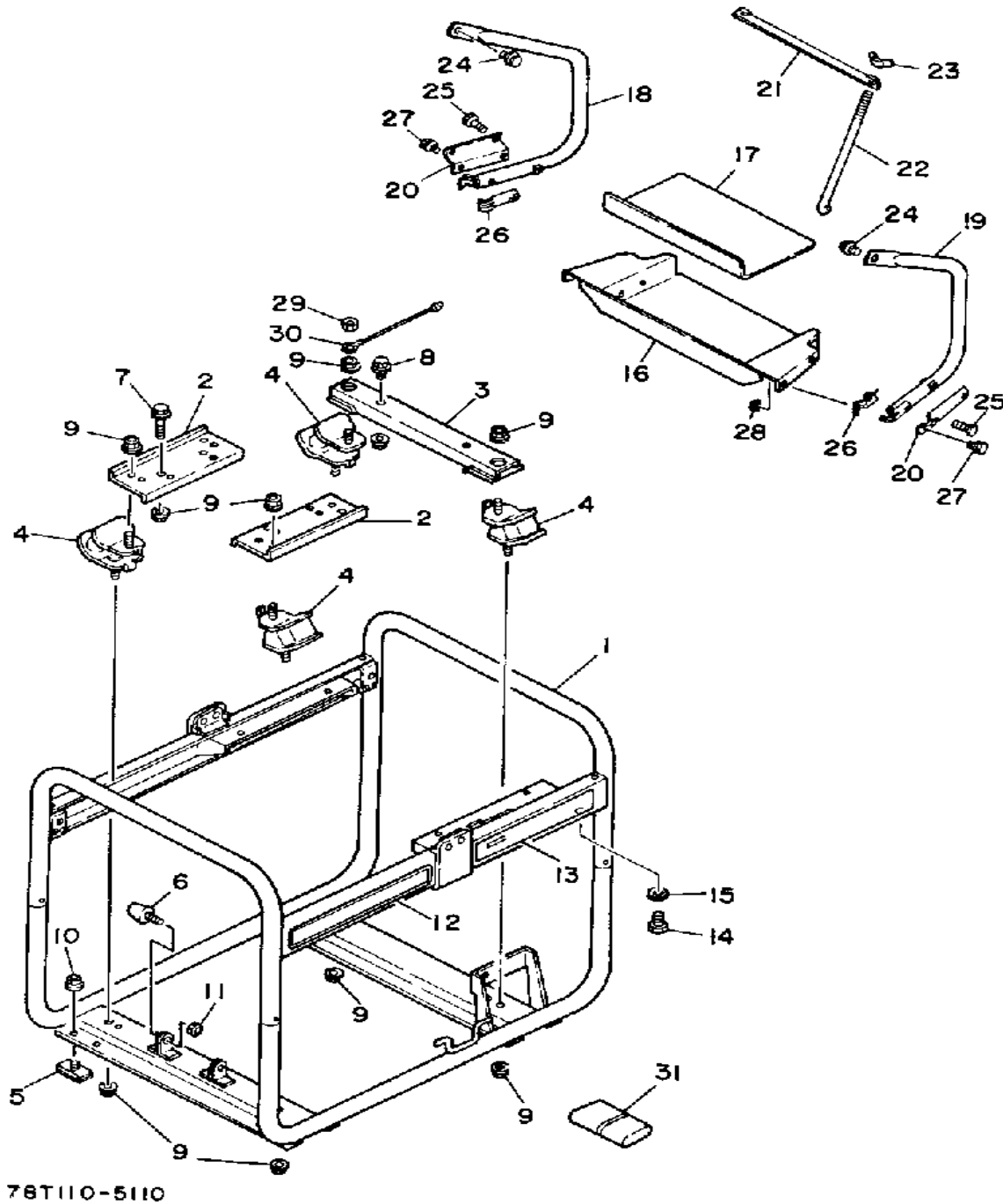
AIR CLEANER - MUFFLER



78N400-4070

Ref. No.	Part Number	Description	Qty	Remarks
1	YA2-31326-01-00	AIR CLEANER ASSEMBLY ...	1	
2	YA2-28326-00-08	ELEMENT ASSEMBLY	1	
3	YA2-28326-01-18	ELEMENT C	1	
4	YA2-31350-09-03	CAP (AIR CLNR.) (AIR CLEANER)	1	
5	YA0-20006-00-20	WASHER	1	
6	YA9-80050-60-10	BOLT & WASHER ASSEMBLY.	1	
7	YA2-28301-01-11	MUFFLER ASSEMBLY.	1	
8	YA2-28342-01-01	MUFFLER COVER ASSEMBLY	1	
9	YA0-11006-00-10	BOLT, FLANGE	4	
10	YA2-28350-06-03	GASKET, MUFFLER (MUFFLER)	2	
11	95380-08600-00	NUT	2	
12	YA0-02190-80-00	NUT	2	
13	YA0-03200-80-00	SPRING WASHER	4	
14	YA2-31526-01-02	BAFFLE, CYLINDER 1	1	
15	(YA2-31527-01-03)	BAFFLE, CYLINDER 2	1	
16	(YA0-14005-00-40)	SCREW, PAN HEAD	1	
17	95380-05600-00	NUT	1	
18	YA2-29528-01-02	BAFFLE, CYLINDER 3	1	
19	YA0-11006-00-20	FLANGE BOLT	2	

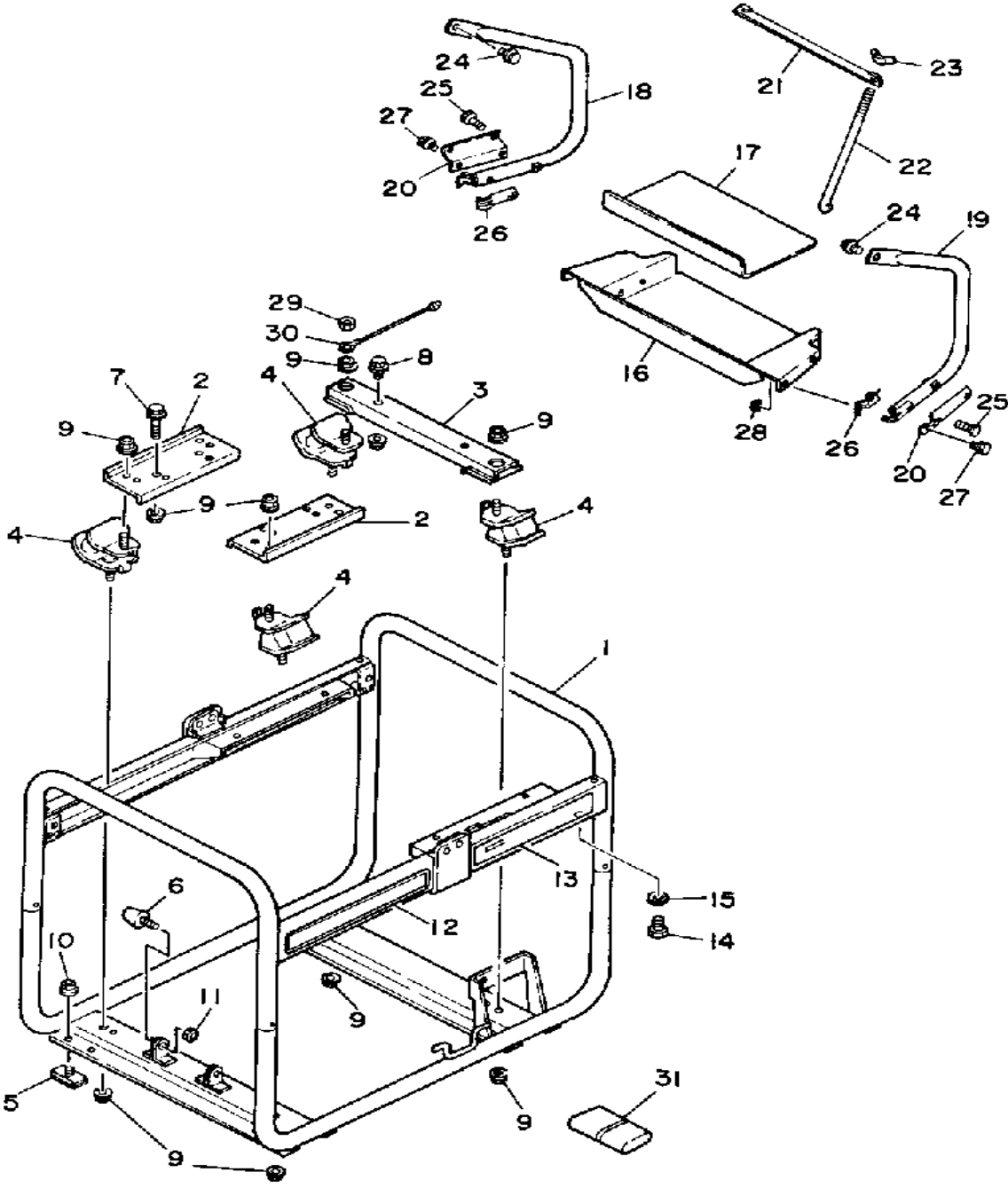
FRAME



Ref. No.	Part Number	Description	Qty	Remarks
1	78T-22810-00-00	FRAME ASSEMBLY.	1	
2	78N-11011-00-00	BRACKET, ENGINE 1	2	
3	78N-87181-00-00	BRACKET, GEN.MNT.	1	
4	73A-22891-00-00	INSULATOR, MOUNTING	4	
5	78N-22894-00-00	INSULATOR, MTNG 2	4	
6	78N-22893-00-00	STOPPER, ENGINE	2	
7	95811-10050-00	BOLT, FLANGE (95812-10050-00)	4	
8	95811-10025-00	BOLT, FLANGE	2	
9	95701-10500-00	NUT, FLANGE (95702-10500) ..	18	
10	95701-06500-00	NUT, FLANGE	4	
11	95333-08600-00	NUT	2	
12	78T-24156-00-00	INDICATOR, STR.LEVR	1	
13	78T-24154-00-00	INDICATOR, SHIFT	1	
14	97013-06012-00	BOLT	2	
15	92901-06600-00	WASHER	2	
16	73A-82122-10-35	SEAT, BATTERY (73A-82122-10-20)	1	SILVER
17	73A-82121-10-00	PAD, BATTERY	1	
18	78T-22838-00-00	STAY 6	1	
19	78T-22839-00-00	STAY 7	1	
20	78N-2284A-10-35	PLATE 1	2	SILVER
21	J55-H2136-00-00	PLATE, BATTERY	1	
22	73A-82133-10-00	SCREW, FITTING	2	
23	90175-06008-00	NUT, WING	2	
24	95811-08016-00	BOLT, FLANGE	2	
25	97021-06030-00	BOLT	4	
26	73A-22864-10-00	COVER, SIDE 1 (73A-22864-10-93)	2	
27	95811-06016-00	BOLT, FLANGE (95822-06016) .	4	

CONTINUED ON NEXT FRAME ►

FRAME

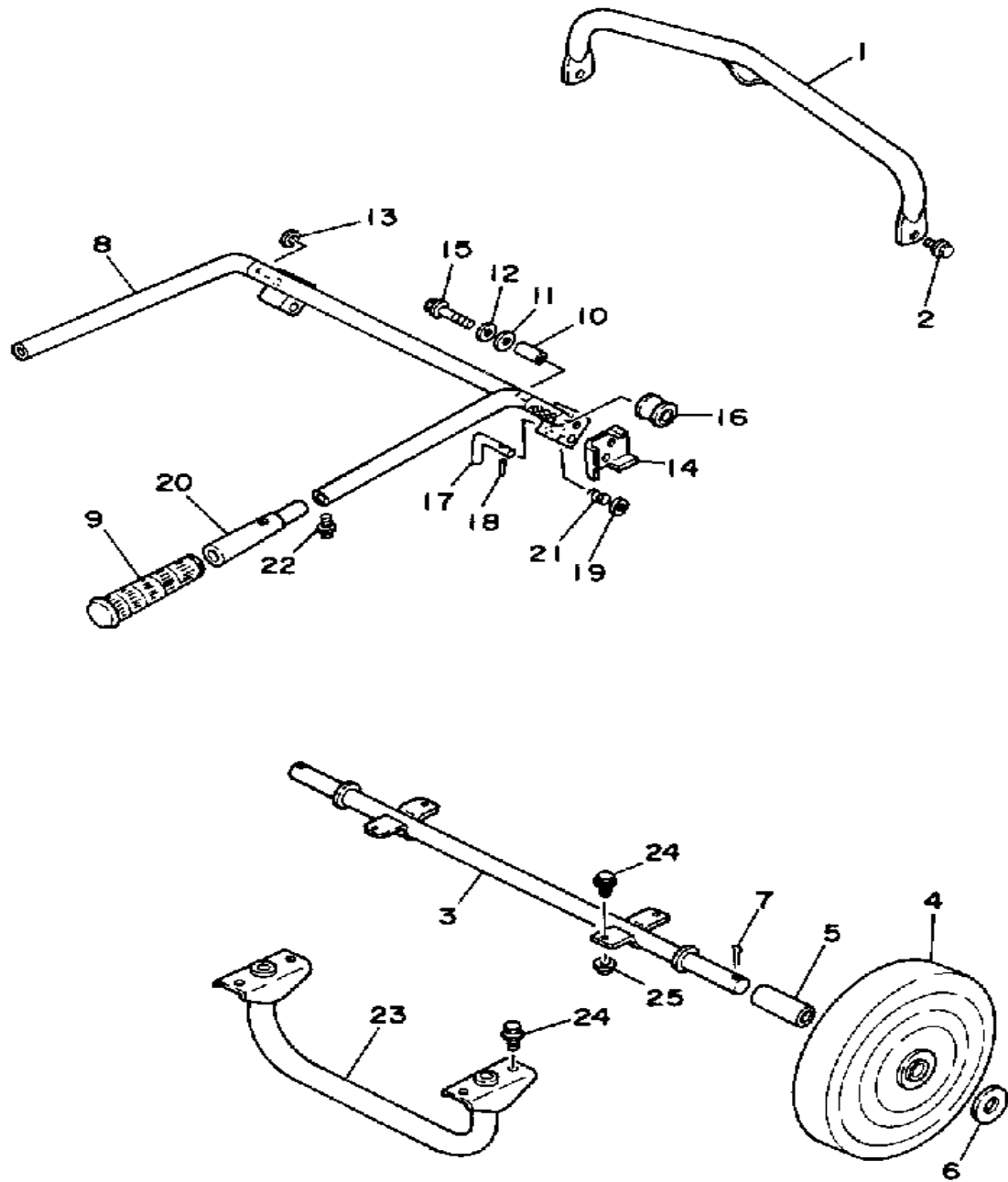


78T110-5110

Ref. No.	Part Number	Description	Qty	Remarks
28	95701-06500-00	NUT, FLANGE	4	
29	95303-10700-00	NUT	1	
30	78N-8131Y-00-00	WIRE, EARTH LEAD	1	
31	73T-W2810-00-00	TOOL KIT	1	

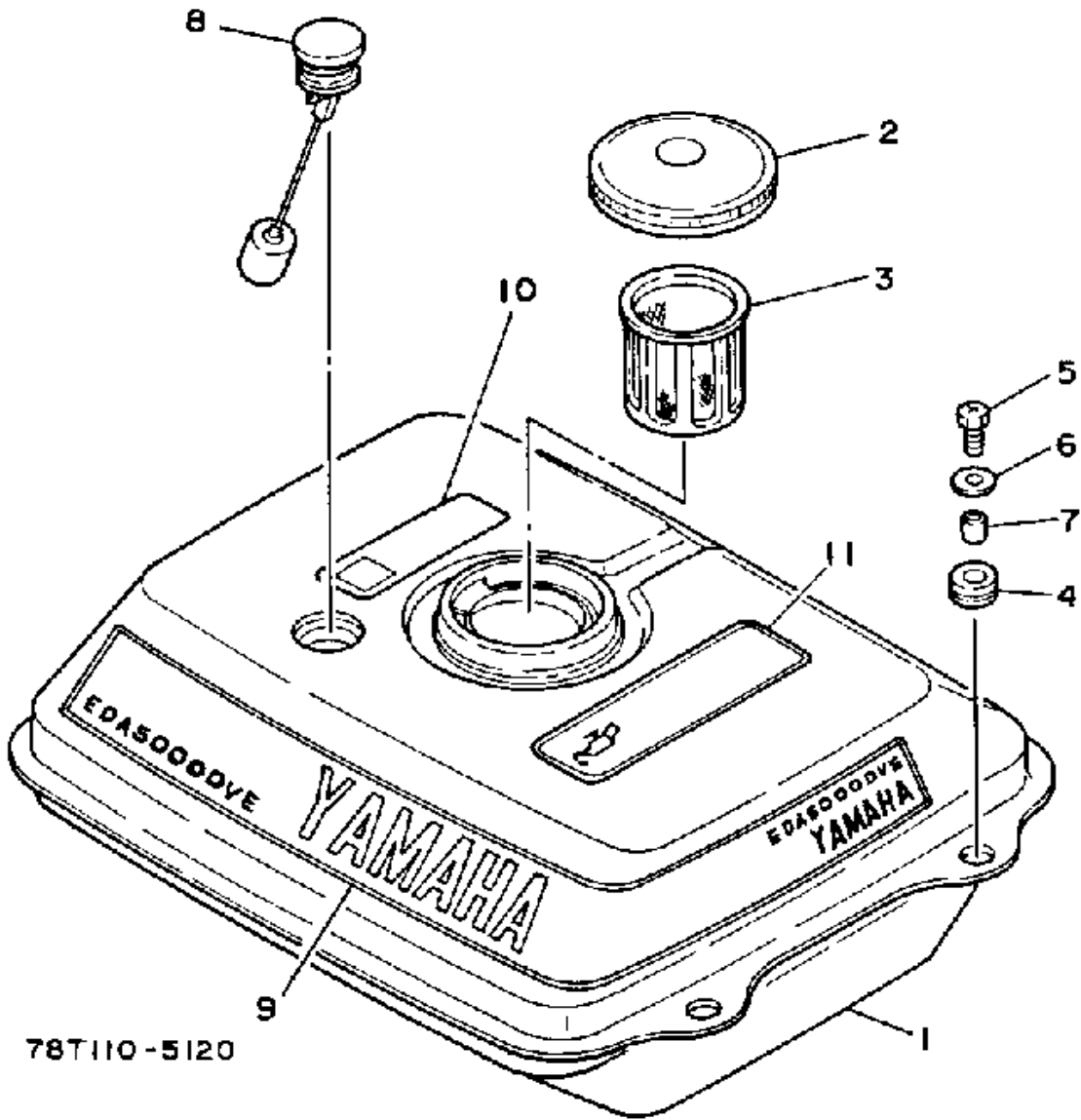
WHEEL - HANDLE

Ref. No.	Part Number	Description	Qty	Remarks
1	78T-1111E-01-00	HANGER, ENGINE 2	1	
2	95811-08016-00	BOLT, FLANGE	4	
3	78N-25381-10-00	AXLE, WHEEL	1	
4	73A-22846-10-00	CASTER 2	2	
5	73A-25322-10-00	INSERT, SHAFT	2	
6	92901-20600-00	WASHER, WAVE	2	
7	91401-30040-00	PIN, COTTER	2	
8	78T-26100-00-00	HANDLE ASSEMBLY	1	
9	801-26241-01-00	GRIP	2	
10	90387-080K6-00	COLLAR	2	
11	90206-12052-00	WASHER, WAVE	2	
12	90201-08730-00	WASHER, PLATE	2	
13	90201-08020-00	WASHER, PLATE	1	
14	73A-26224-10-00	BRACKET, HANDLE 2	1	
15	95811-08045-00	BOLT, FLANGE (JN5)	2	
16	73A-26114-10-00	STOPPER 1	2	
17	73A-26112-10-00	BAR, HANDLE	1	
18	91609-30016-00	PIN, SPRING	1	
19	90201-08624-00	WASHER, PLATE	1	
20	73A-26147-10-00	BOOT, HANDLE	2	
21	90501-10264-00	SPRING, COMPRESSION	1	
22	95811-06016-00	BOLT, FLANGE (95822-06016)	2	
23	73A-27111-10-35	STAND, MAIN	1	SILVER
24	95811-08016-00	BOLT, FLANGE	8	
25	95701-08500-00	NUT, FLANGE	4	



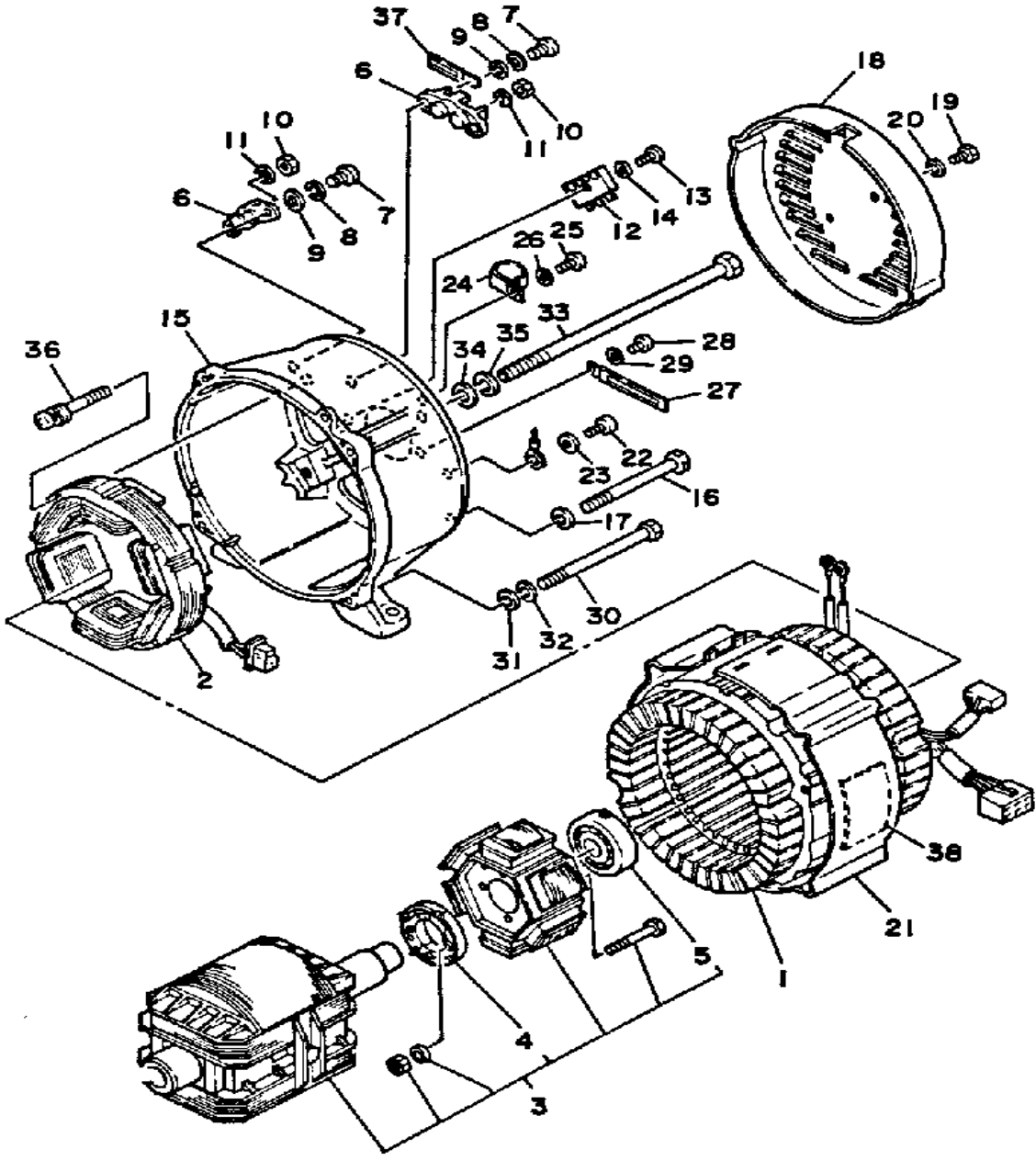
78T110-5130

FUEL TANK



Ref. No.	Part Number	Description	Qty	Remarks
1	78N-24110-00-86	FUEL TANK	1	NAIAD BLU
2	7V5-24610-01-00	CAP ASSEMBLY	1	
3	630-24167-00-00	STRAINER	1	
4	90480-12475-00	GROMMET	4	
5	90153-06007-00	SCREW, HEXAGON (90153-06025)	4	
6	90201-06067-00	WASHER, PLATE	4	
7	90387-08747-00	COLLAR	4	
8	78N-85710-01-00	FUEL LVL GUAGE ASSEMBLY (78N-85710-00)	1	
9	78T-24161-00-00	EMBLEM 1	1	
10	7MP-21788-00-00	GRAPHIC	1	
11	78N-21793-00-00	ORNAMENT	1	

GENERATOR

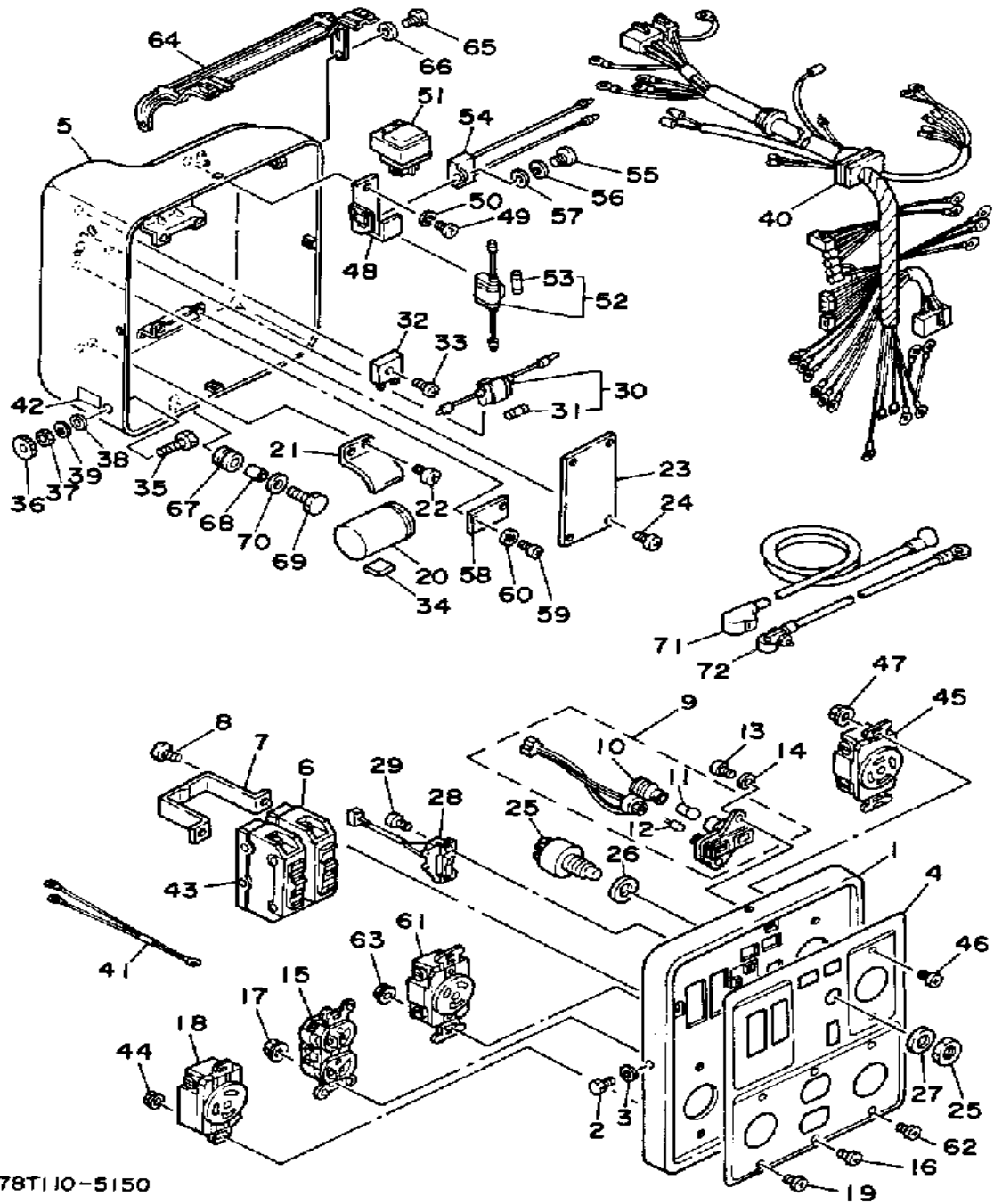


Ref. No.	Part Number	Description	Qty	Remarks
1	73H-87150-00-00	STATOR ASSEMBLY	1	/60HZ
2	73A-8712A-01-00	STATOR EXITER ASSEMBLY .	1	
3	77H-87160-01-00	ROTOR ASSEMBLY (77H-87160-00)	1	
4	73A-87109-09-00	. ROTOR REPAIR KIT (73A-87115-00)	1	
5	93306-37202-00	. BEARING	1	
6	7H9-87220-00-00	TERMINAL ASSEMBLY SUB-ASSEMBLY 1	2	DULV
7	98580-05016-00	SCREW, PAN HEAD	4	
8	92990-05100-00	WASHER, SPRING	4	
9	92901-05600-00	WASHER, PLATE	4	
10	95311-05700-00	NUT	3	
11	92990-05100-00	WASHER, SPRING	3	
12	7G5-87105-01-00	RECTIFIER ASSEMBLY 1 (7G5-87105-00)	1	
13	98511-05020-00	. SCREW, PAN HEAD	1	
14	92901-05600-00	WASHER, PLATE	1	
15	73A-87131-00-00	FRAME, REAR	1	
16	97021-06125-00	BOLT, HEXAGON (97322-06125)	2	
17	92990-06600-00	. WASHER, PLATE	2	
18	73A-87174-00-86	COVER, REAR END (73A-87174-00)	1	NAIAD BLU
19	97011-06010-00	BOLT	2	
20	92901-06600-00	. WASHER	2	
21	73A-87153-00-00	COVER, STATOR	1	
22	98580-05010-00	. SCREW, PAN HEAD	1	
23	92901-05600-00	WASHER, PLATE	1	
24	90465-08146-00	CLAMP	1	
25	98580-05010-00	. SCREW, PAN HEAD	1	

7BT110-5140

CONTINUED ON NEXT FRAME ►

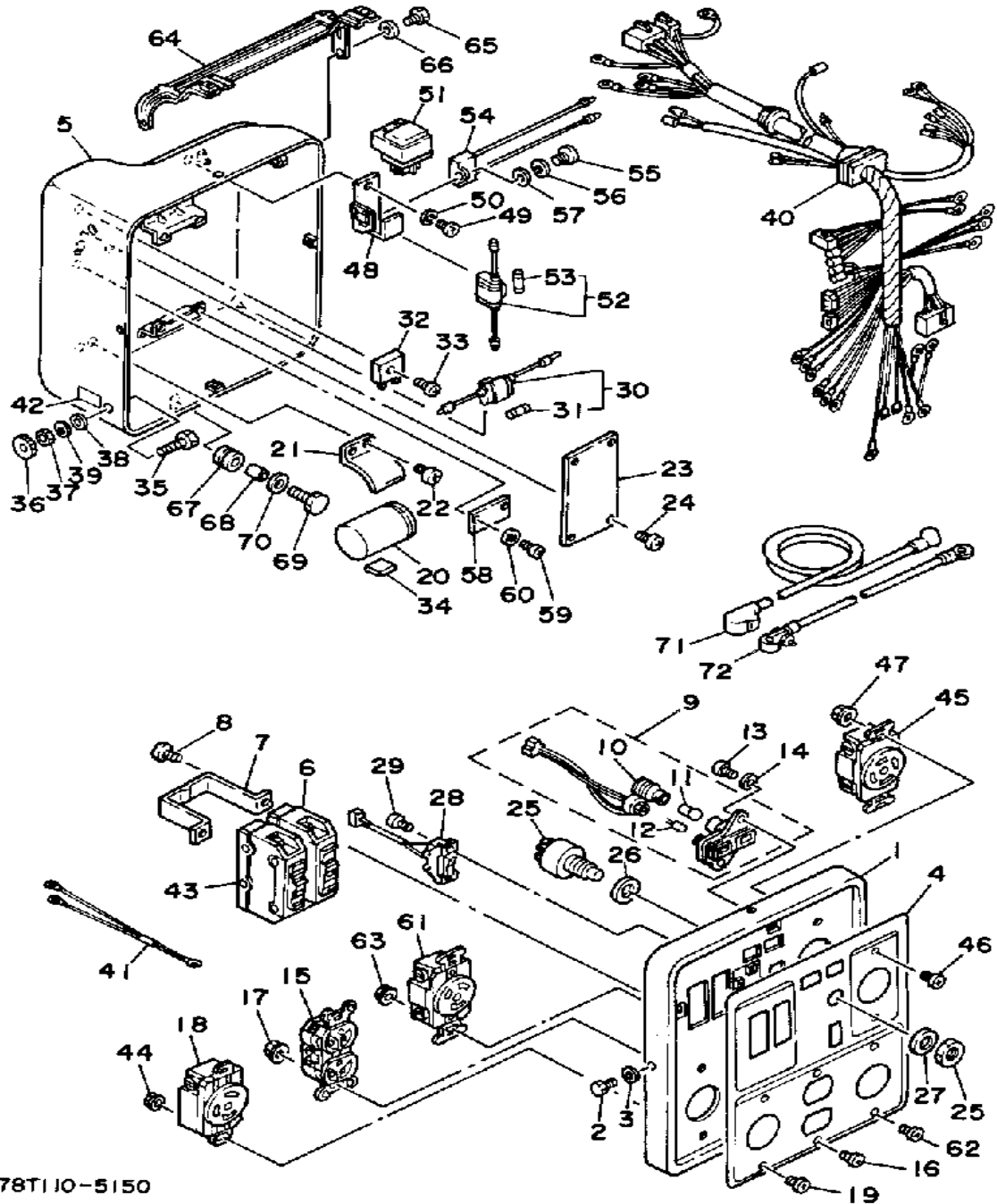
CONTROL BOX



Ref. No.	Part Number	Description	Qty	Remarks
1	7EL-87211-20-86	BOX, CONTROL	1	NAIAD BLU
2	97313-05010-00	BOLT, HEXAGON	4	
3	92901-05600-00	WASHER, PLATE	4	
4	78T-87217-90-00	PLATE, CONTROL	1	
5	73F-87213-10-86	COVER CONTROL BOX	1	NAIAD BLU
6	73A-87204-10-00	BREAKER	1	37.0A KM-1G
7	73H-87244-00-00	HOLDER, BREAKER	1	
8	98511-04006-00	SCREW, PAN HEAD (98501-04005)	2	
9	78N-83530-00-00	PILOT LIGHT ASSEMBLY	1	
10	78N-83520-00-00	. SOCKET CORD ASSEMBLY ..	1	
11	705-84347-00-00	. BULB, PILOT LAMP	1	
12	78N-83531-00-00	. BULB, PILOT	1	
13	98580-04008-00	SCREW, PAN HEAD	2	
14	92901-04600-00	WASHER, PLATE	2	
15	73H-87221-90-00	CONSENT 1 (P&S 5-20R)	1	P&S 5-20R USA
16	98580-04008-00	SCREW, PAN HEAD	2	
17	95701-04500-00	NUT, FLANGE	2	
18	73H-87222-90-00	CONSENT 2	1	P&S 15-30R USA
19	98580-04008-00	SCREW, PAN HEAD	2	
20	78R-87107-00-00	CONDENSER ASSEMBLY	1	
21	73A-87216-00-00	HOLDER, CONDENSER	1	
22	98580-05010-00	SCREW, PAN HEAD	2	
23	73A-8722A-21-00	VOLTAGE REGLTR ASSEMBLY	1	
24	98511-04006-00	SCREW, PAN HEAD (98501-04005)	4	
25	682-81870-00-00	START SWITCH ASSEMBLY ..	1	
26	7EM-87294-00-00	SPACER 1	1	
27	90201-17327-00	WASHER, PLATE	1	

CONTINUED ON NEXT FRAME ►

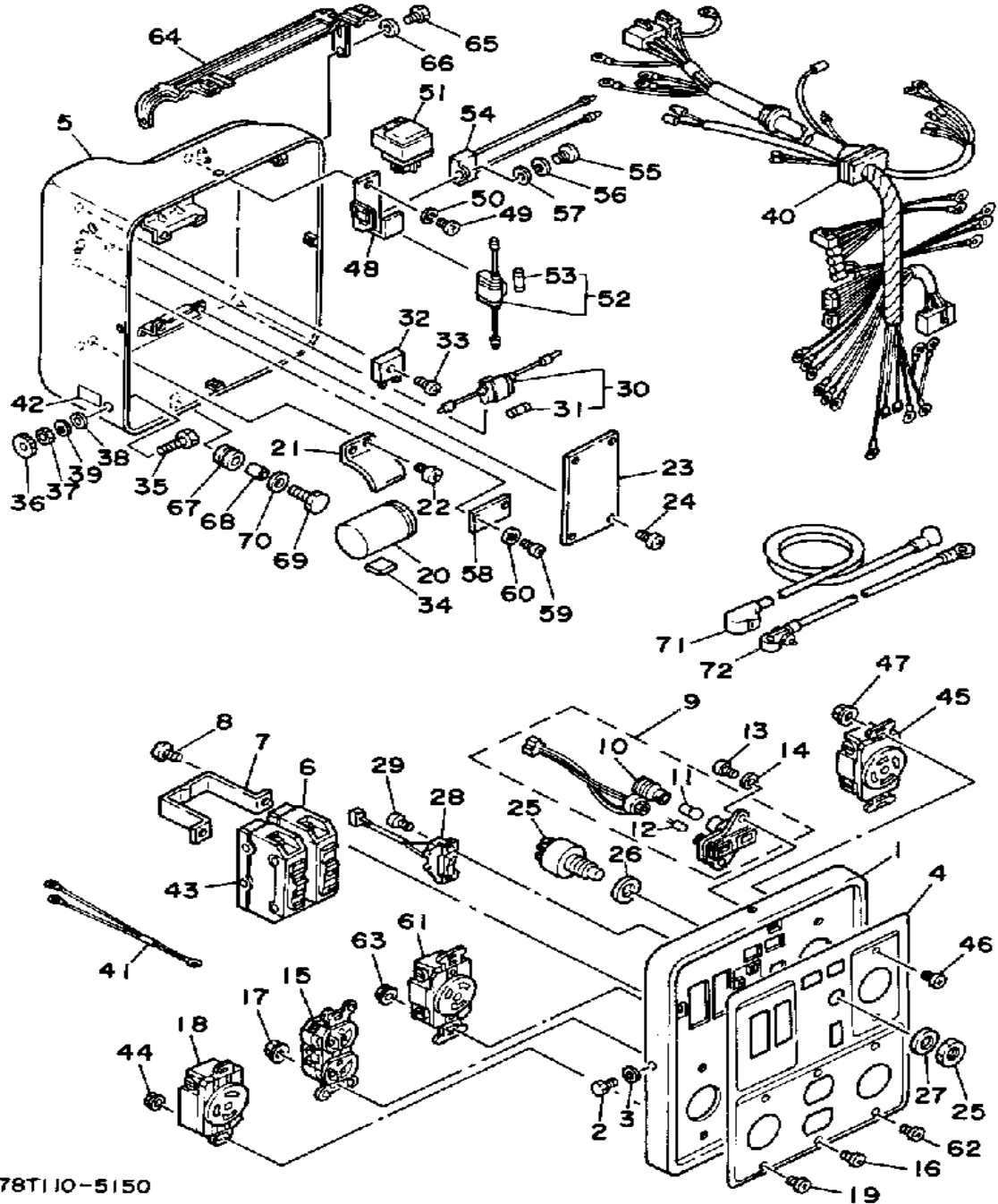
CONTROL BOX



Ref. No.	Part Number	Description	Qty	Remarks
28	78N-82550-00-00	STOP SWITCH ASSEMBLY ...	1	
29	98580-03008-00	SCREW, PAN HEAD	2	
30	55K-82150-01-00	FUSE HOLDER ASS'Y (55K-82150-00-00)	1	
31	116-82151-00-00	. FUSE (10A)	1	
32	353-81970-63-00	RECTIFIER ASSEMBLY	1	STANLEY
33	98580-05016-00	SCREW, PAN HEAD	1	
34	7H5-87219-00-00	DAMPER CONTROL	1	
35	90101-06484-00	BOLT	1	
36	90179-06300-00	NUT	1	
37	95380-06700-00	NUT	1	
38	92990-06600-00	WASHER, PLATE	1	
39	92995-06100-00	WASHER, SPRING	1	
40	78T-87226-90-00	WIRE HARNESS ASSEMBLY ..	1	
41	73H-87138-91-00	LEAD WIRE ASSEMBLY 1	1	
42	73A-87261-00-00	EMBLEM 1	1	
43	73H-87204-00-00	BREAKER	1	19.0A KM-1G
44	95701-04500-00	NUT, FLANGE	2	
45	73H-87222-70-00	RECEPTACLE 2	1	P&S 114-20R USA
46	98580-04008-00	SCREW, PAN HEAD	2	
47	95701-04500-00	NUT, FLANGE	2	
48	78N-81952-00-00	HOLDER, RELAY	1	
49	98580-06010-00	SCREW, PAN HEAD (92503-06010)	1	
50	92995-06100-00	WASHER, SPRING	1	
51	29U-81950-93-00	RELAY ASSEMBLY	1	
52	55K-82150-01-00	FUSE HOLDER ASS'Y (55K-82150-00-00)	1	
53	116-82151-00-00	. FUSE (10A)	1	
54	78N-87107-00-00	CONDENSER ASSEMBLY	1	

CONTINUED ON NEXT FRAME ►

CONTROL BOX



78T110-5150

Ref. No.	Part Number	Description	Qty	Remarks
55	98511-04012-00	SCREW, PAN HEAD	1	
56	92990-04100-00	WASHER, SPRING	1	
57	92901-04600-00	WASHER, PLATE	1	
58	78N-87249-00-00	PLATE	1	
59	98511-04006-00	SCREW, PAN HEAD (98501-04005)	2	
60	92901-04600-00	WASHER, PLATE	2	
61	73H-87221-70-00	CONSENT 1	1	P&S 15-20R USA
62	98580-04008-00	SCREW, PAN HEAD	2	
63	95701-04500-00	NUT, FLANGE	2	
64	78N-22835-00-86	STAY, CONTROL BOX	1	NAIAD BLU
65	97013-06012-00	BOLT	2	
66	92901-06600-00	WASHER	2	
67	90480-12475-00	GROMMET	1	
68	90387-08747-00	COLLAR	1	
69	97011-06020-00	BOLT	1	
70	90201-06067-00	WASHER, PLATE	1	
71	78T-82115-00-00	WIRE, PLUS LEAD	1	
72	78T-82116-00-00	WIRE, MINUS LEAD	1	