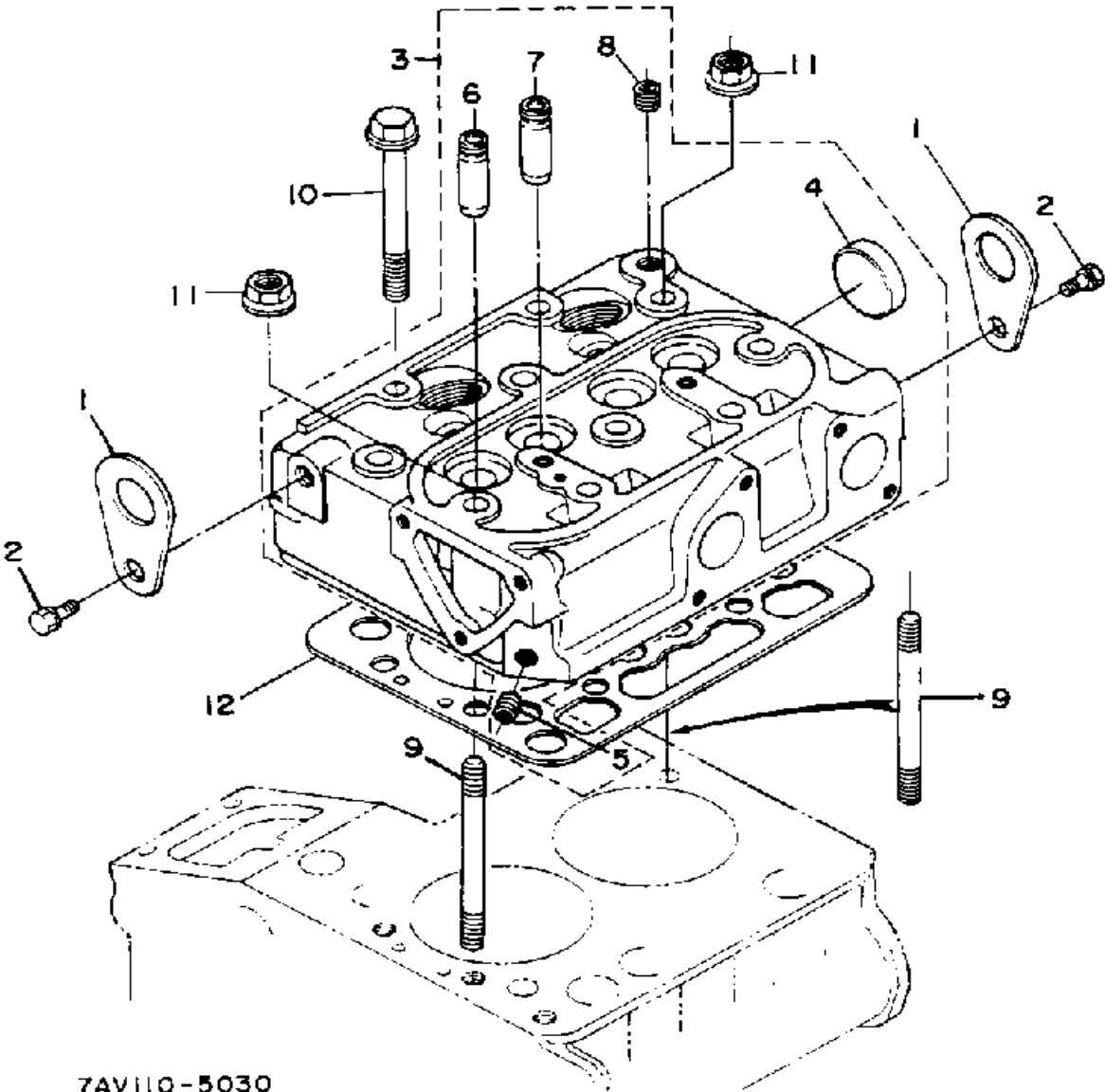




**YAMAHA**

**GENUINE  
PARTS CATALOGUE  
OUTDOOR POWER EQUIPMENT**

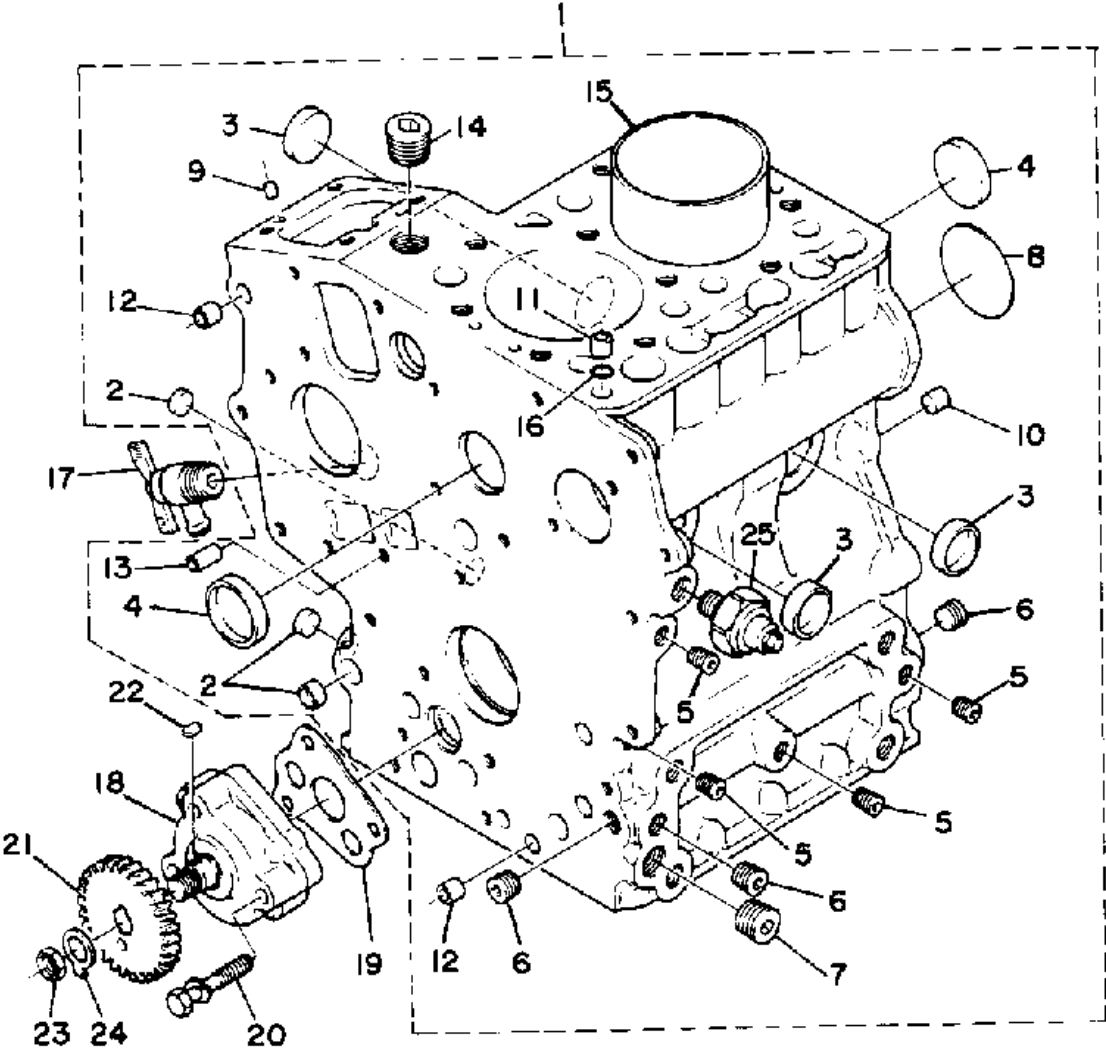
# CYLINDER HEAD



Ref. No.	Part Number	Description	Qty	Remarks
1	YF1-58410-17-50	HOOK, ENGINE .....	2	
2	YF0-11235-08-14	BOLT .....	2	
3	YF1-58410-30-40	CYLINDER HEAD ASSEMBLY .	1	
4	YF1-53219-62-60	. CAP, SEALING .....	1	
5	YF1-52619-60-10	. PLUG .....	1	
6	YF1-58411-35-40	. GUIDE, IN. VLV. ....	2	
7	YF1-58411-35-60	. GUIDE, EX. VLV. ....	2	
8	YF1-58419-60-20	. PLUG .....	1	
9	YF1-58410-34-10	STUD, HEAD .....	2	
10	YF1-46010-34-50	BOLT, CYLINDER. HEAD .....	8	
11	YF1-92310-35-12	NUT, HEAD .....	2	
12	YF1-58410-33-12	GASKET, CYLINDER. HEAD ..	1	

7AV110-5030

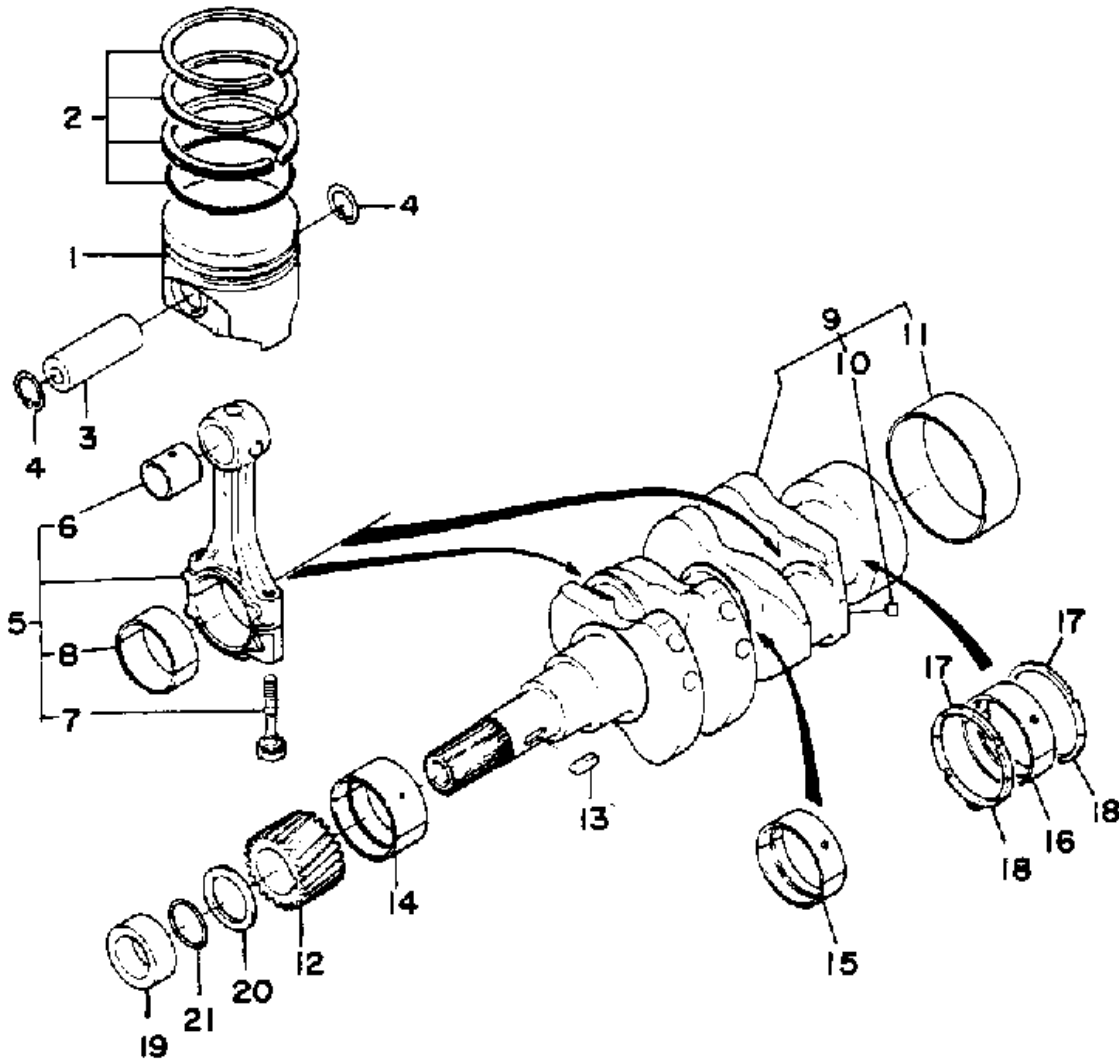
# CRANKCASE



7AV110-5010

Ref. No.	Part Number	Description	Qty	Remarks
1	YF1-58410-10-14	CRANKCASE ASSEMBLY. ....	1	
2	YF1-54519-63-00	. CAP, SEALING .....	3	
3	YF1-54519-62-60	. CAP, SEALING .....	3	
4	YF1-54519-62-70	. CAP, SEALING .....	2	
5	YF1-52619-60-10	. PLUG .....	4	
6	YF1-55219-60-20	. PLUG .....	3	
7	YF1-55219-60-30	. PLUG .....	1	
8	YF0-63117-50-40	. PLUG .....	1	
9	YF0-50120-05-08	. PIN, STRAIGHT .....	2	
10	YF0-50120-08-14	. PIN, STRAIGHT .....	2	
11	YF1-52213-36-51	. PIN, PIPE .....	1	
12	YF1-52313-39-60	. PIN, PIPE .....	1	
13	YF1-73315-91-90	. PIN, PIPE .....	2	
14	YF1-58419-60-10	. PLUG .....	1	
15	YF1-58610-23-10	. LINER, CYLINDER .....	2	
16	YF1-52213-37-00	O-RING .....	1	
17	YF1-58417-30-20	COCK ASSEMBLY, DRAIN ...	1	
18	YF1-68513-50-10	ASSEMBLY PUMP, OIL .....	1	
19	YF1-68513-51-50	GASKET, OIL PUMP .....	1	
20	YF1-58419-10-50	BOLT .....	3	
21	YF1-58413-56-60	GEAR, OIL PUMP DRV. ....	1	
22	YF0-57120-04-08	KEY, FEATHER .....	1	
23	95701-10500-00	NUT, FLANGE (95702-10500) ..	1	
24	YF0-42115-01-00	WASHER, CLAW .....	1	
25	YF1-58413-90-10	SWITCH, OIL .....	1	

# CRANKSHAFT - PISTON

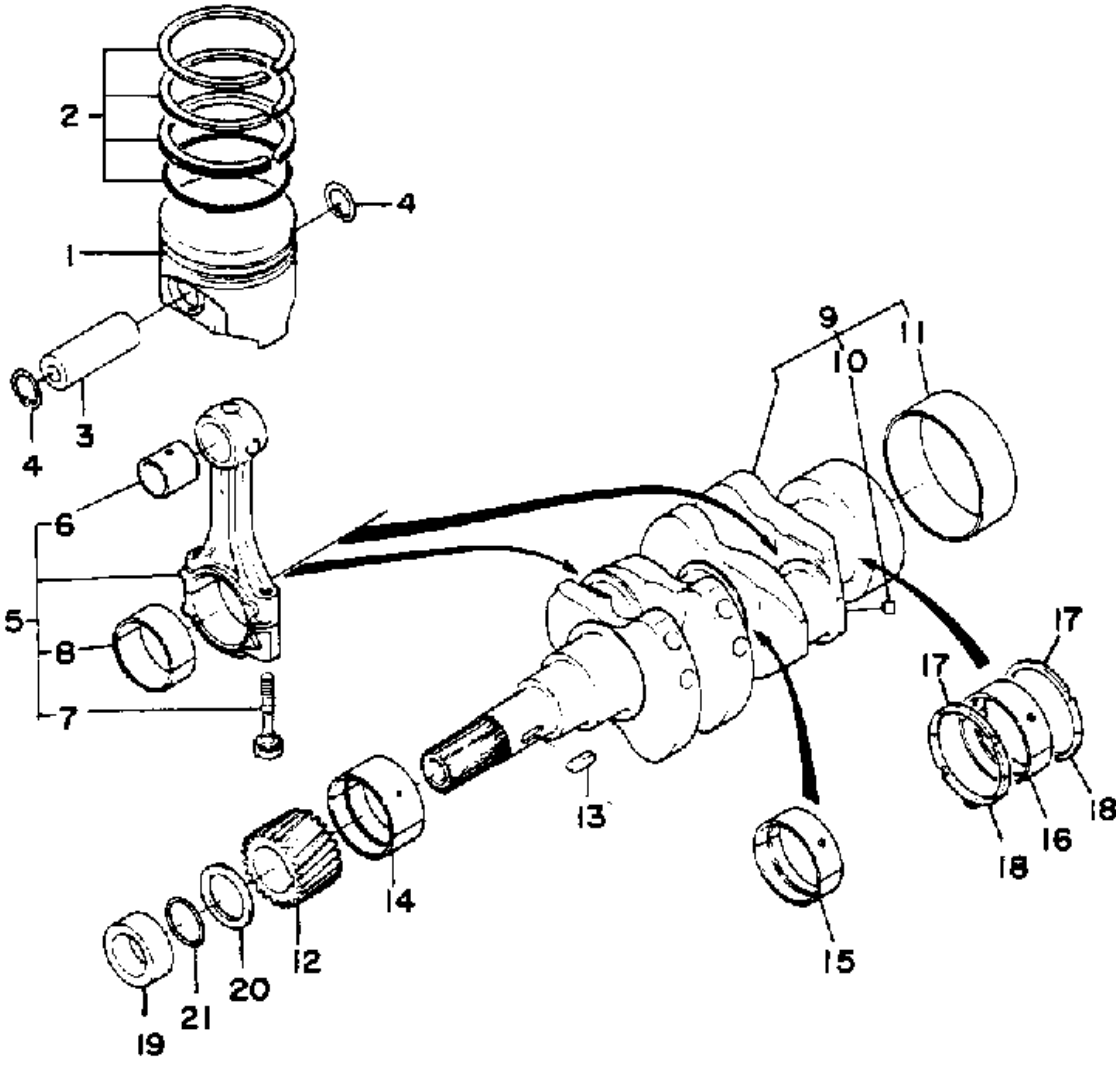


7AV110-5100

Ref. No.	Part Number	Description	Qty	Remarks
1	YF1-58412-11-10	PISTON (STD)	2	STD
	YF1-58412-19-10	PISTON 1 O/S 0.5MM (1ST O/S 0.5MM)	2	U.R.
2	YF1-46012-10-50	PISTON RING ASSEMBLY (STD)	2	STD
	YF1-46012-10-90	PISTON RING 1 O/S (1ST O/S 0.5MM)	2	U.R.
3	YF1-58412-13-10	PIN, PISTON	2	
4	YF1-46012-13-30	CIRCLIP, PISTON PIN	4	
5	YF1-58412-20-10	CONNECTING ROD ASSEMBLY	2	
6	YF1-58412-19-80	. BUSH, PISTON PIN	1	
7	YF1-58412-21-40	. BOLT, CON.ROD.	4	
8	YF1-58412-23-10	. METAL, CRANK PIN (STD)	4	STD
	YF1-58412-29-70	. METAL, CRANKPIN 1ST (1ST O/S 0.2MM)	4	U.R.
	YF1-58412-29-80	. METAL, CRANKPIN 2ND (2ND O/S 0.4MM)	4	U.R.
9	YF1-58412-30-10	CRANKSHAFT ASSEMBLY	1	
10	YF1-51310-13-80	. PLUG, PIN	2	
11	YF1-92152-32-80	. SLEEVE, CRANKSHAFT	1	
12	YF1-58412-41-10	GEAR, CRNKSHFT	1	
13	YF0-57120-05-15	KEY, FEATHER	1	
14	YF1-58412-34-70	METAL, CRNKSHFT (STD)	1	
	YF1-58412-39-10	METAL, CRNKSHFT 1ST (1ST O/S 0.2MM)	1	UR
	YF1-58412-39-20	METAL, CRNKSHFT 2ND (2ND O/S 0.4MM)	1	UR
15	YF1-58412-34-80	METAL, CRNKSHFT (STD)	2	
	YF1-58412-38-60	METAL, CRNKSHFT 1ST (1ST O/S 0.2MM)	1	UR
	YF1-58412-38-70	METAL, CRNKSHFT 2ND (2ND O/S 0.4MM)	1	UR

CONTINUED ON NEXT FRAME ➤

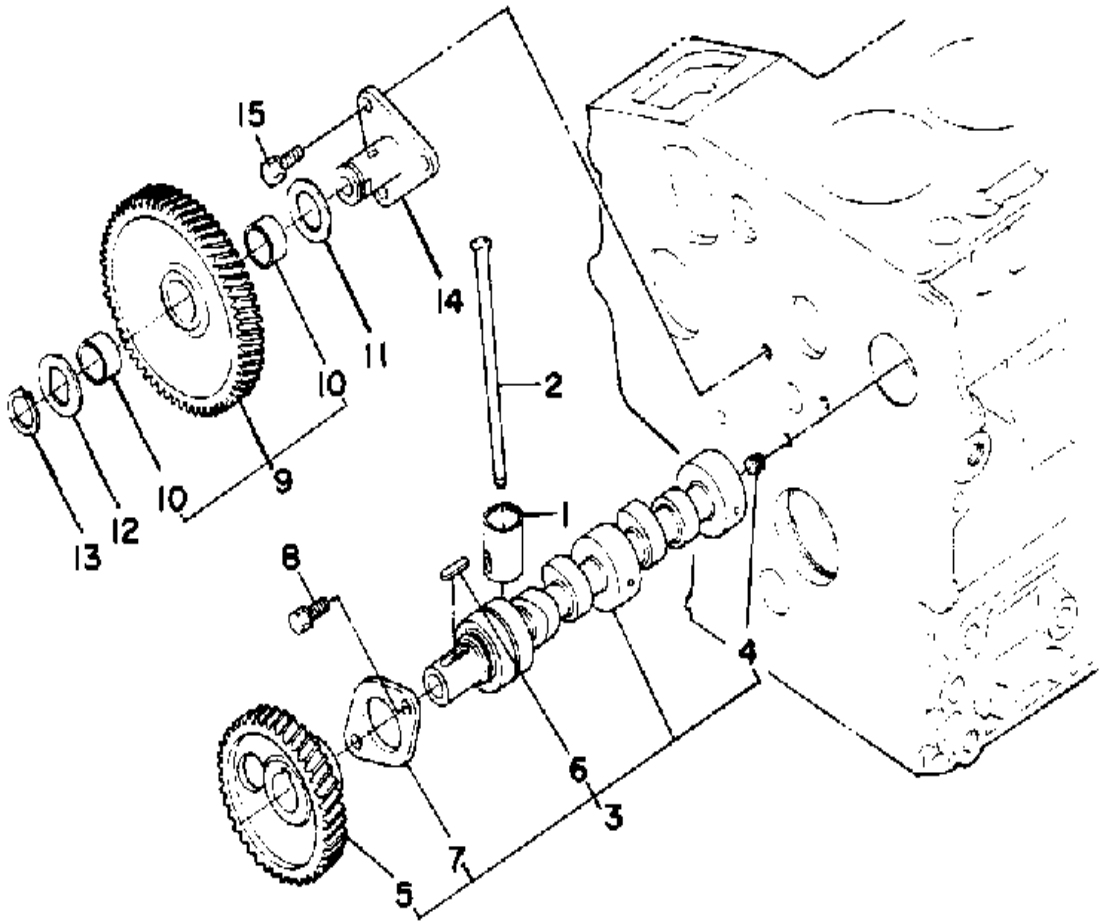
# CRANKSHAFT - PISTON



7AV110-5100

Ref. No.	Part Number	Description	Qty	Remarks
16	YF1-52612-34-81	METAL CRNKSHT (STD) (YF1-52612-34-80) .....	1	
	YF1-52612-35-32	METAL, SIDE (STD) (YF1-52612-35-30) .....	2	STD
	YF1-52612-39-30	METAL, CRNKSHT 1ST .....	2	UR
	YF1-52612-39-40	METAL, CRNKSHT 2ND (2ND O/S 0.4MM) .....	2	UR
	YF1-52612-39-50	METAL, SIDE (+0.2MM) .....	2	UR
	YF1-52612-39-60	METAL, SIDE (+0.4MM) .....	2	UR
18	YF1-52612-35-42	METAL, SIDE (STD) (YF1-52612-35-40) .....	2	
	YF1-52612-39-70	METAL, SIDE (+0.2MM) .....	2	UR
	YF1-52612-39-80	METAL, SIDE (+0.4MM) .....	2	UR
19	YF1-58412-32-50	COLLAR, CRNKSHT .....	1	
20	YF1-58412-33-10	SLINGER, OIL .....	1	
21	(YF0-48111-62-20)	O-RING .....	1	

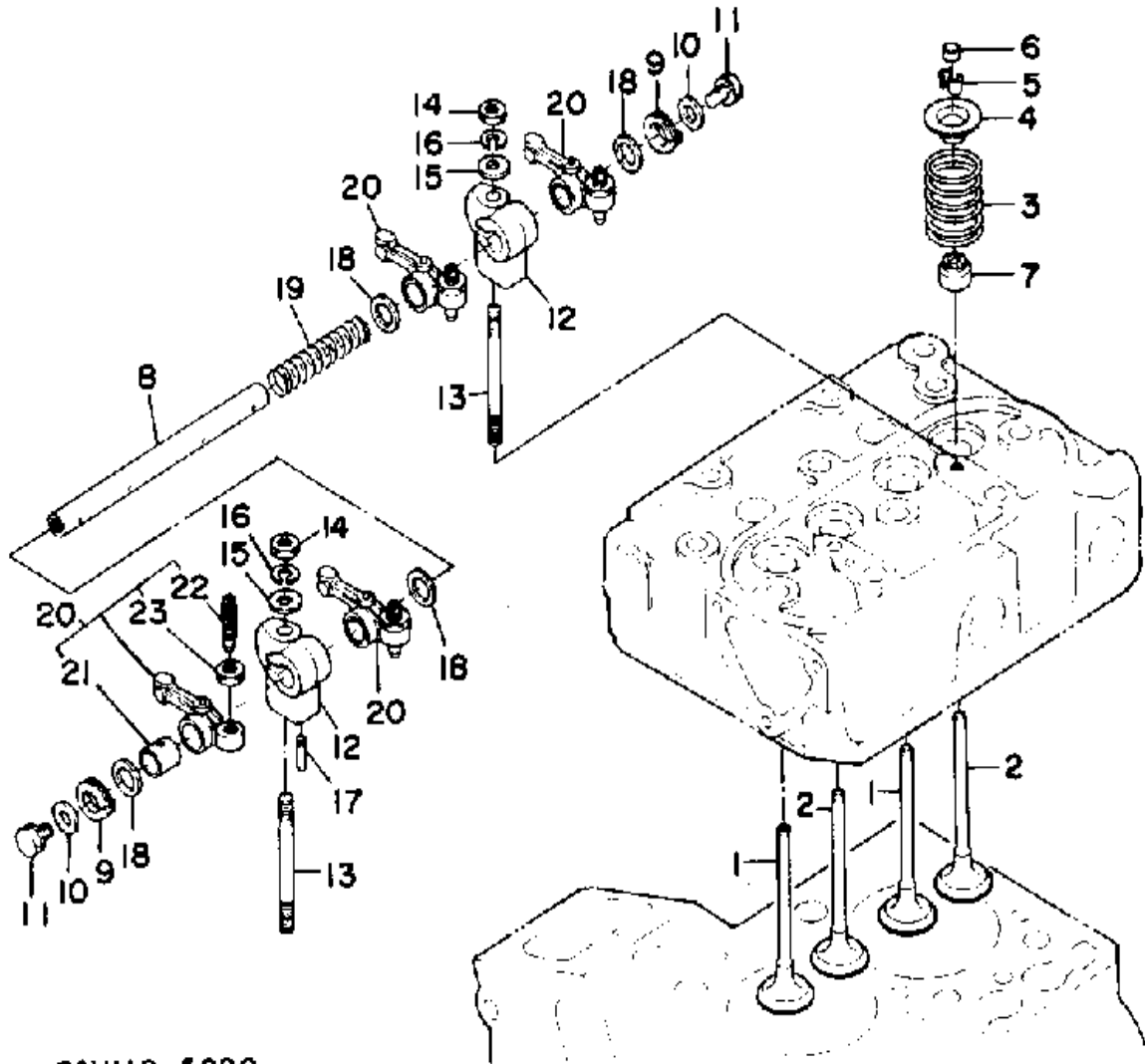
# CAMSHAFT



7AV110-5090

Ref. No.	Part Number	Description	Qty	Remarks
1	YF1-68511-55-50	TAPPET (YF1-58411-55) .....	4	
2	YF1-58411-51-10	ROD, PUSH .....	4	
3	YF1-58411-60-10	CAMSHAFT ASSEMBLY .....	1	
4	YF0-34105-06-08	. SCREW SET .....	1	
5	YF1-58411-65-10	. GEAR, CAMSHAFT .....	1	
6	YF0-57120-05-18	. KEY, FEATHER .....	1	
7	YF1-58411-62-70	. STOPPER, CAMSHAFT .....	1	
8	YF0-10235-06-12	BOLT .....	2	
9	YF1-58752-40-10	GEAR.ASSEMBLY, IDLE .....	1	
10	YF1-58412-49-80	. BUSH, IDLE GEAR .....	2	
11	YF1-58752-43-60	COLLAR, IDLE GEAR .....	1	
12	YF1-58752-43-70	COLLAR, IDLE GEAR .....	1	
13	YF1-58752-43-20	RING, SNAP .....	1	
14	YF1-58752-42-50	SHAFT, IDLE GEAR .....	1	
15	YF0-10235-06-14	BOLT .....	3	

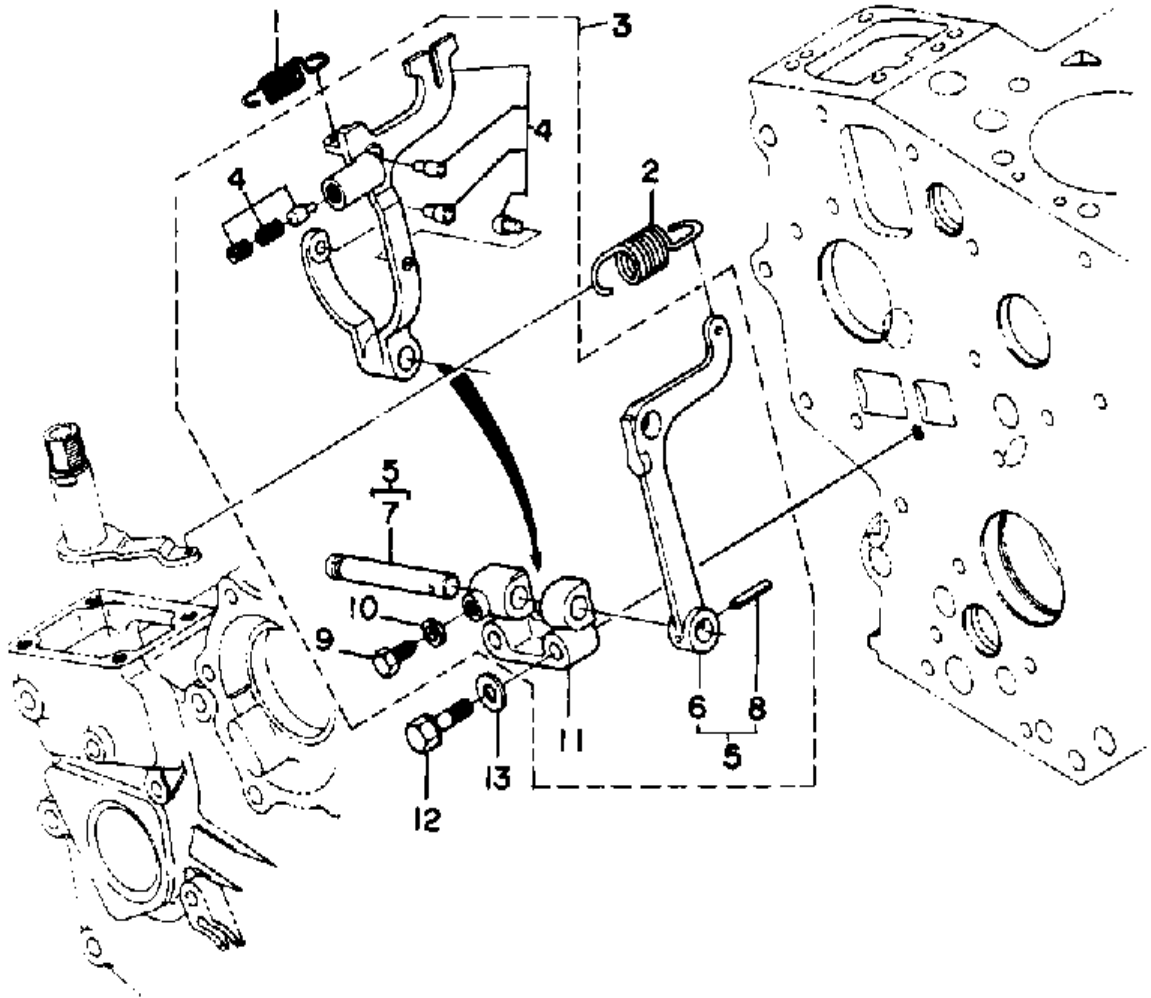
# VALVE - ROCKER ARM



7AV110-5080

Ref. No.	Part Number	Description	Qty	Remarks
1	YF1-46011-31-10	VALVE, INTAKE .....	2	
2	YF1-46011-31-20	VALVE, EXHAUST .....	2	
3	YF1-46011-32-40	SPRING, VALVE .....	4	
4	YF1-46011-33-30	RETAINER, VLV.SPRG. ....	4	
5	YF1-46011-33-60	COTTER, VLV SPRG .....	8	
6	YF1-68511-32-80	CAP, VALVE .....	4	
7	YF1-58411-31-50	SEAL, VALVE STEM .....	4	
8	YF1-58411-42-60	SHAFT, ROCKER ARM .....	1	
9	YF1-58411-43-20	SPRING, THRUST .....	2	
10	YF1-58419-40-20	WASHER, PLAIN .....	2	
11	YF0-10235-06-10	BOLT .....	2	
12	YF1-58411-43-50	BRACKET, ROCK.ARM .....	2	
13	YF1-46011-44-10	STUD .....	2	
14	95380-06600-00	NUT .....	2	
15	YK0-45125-00-60	WASHER, SPRING (YF0-45125-00-60) .....	2	
16	YK0-45125-00-60	WASHER, SPRING (YF0-45125-00-60) .....	2	
17	YF1-46011-44-20	SCREW, SET .....	1	
18	YF1-46011-44-30	WASHER .....	4	
19	YF1-46011-43-10	SPRING, ROCKER ARM .....	1	
20	YF1-58411-40-30	ROCKER ARM ASSEMBLY ...	4	
21	YF1-58411-41-80	. BUSH .....	4	
22	YF1-58411-42-30	. SCREW .....	4	
23	YF1-46011-42-40	. NUT .....	4	

# GOVERNOR 1

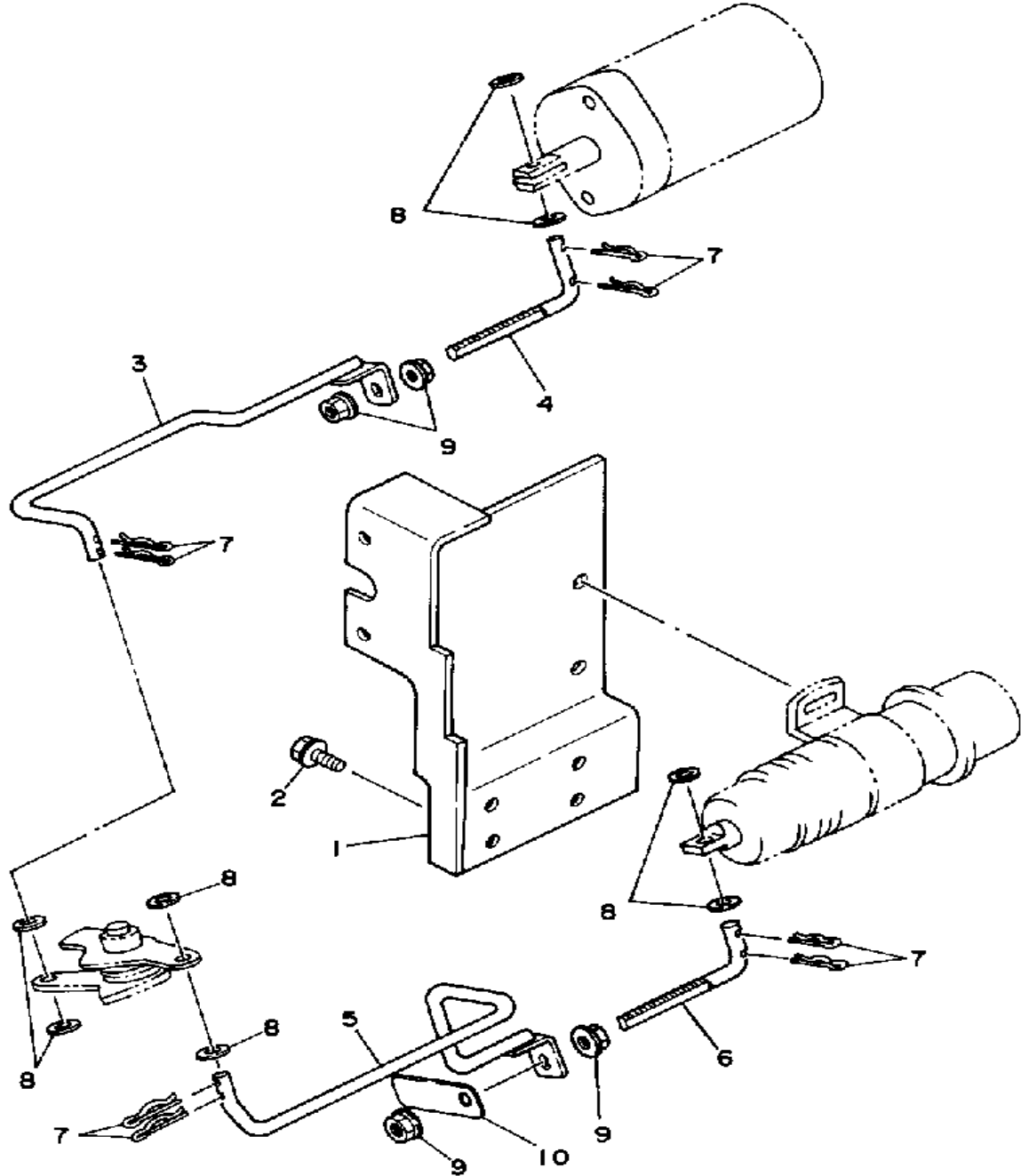


7AV110-5150

Ref. No.	Part Number	Description	Qty	Remarks
1	YF1-58415-64-80	SPRING, START .....	1	
2	YF1-58415-64-10	SPRING, GOVERNOR .....	1	U.R.
	YF1-94615-64-10	SPRING, GOVERNOR .....	1	U.R.
3	YF1-94615-60-50	LEVER ASSEMBLY, FORK ...	1	
4	YF1-94615-60-40	. LEVER COMP., FORK .....	1	
5	YF1-58415-60-60	. LEVER ASSEMBLY., FORK ..	1	
6	YF1-58415-61-30	.. LEVER, FORK .....	1	
7	YF1-58415-61-50	.. SHAFT, FORK LEVER .....	1	
8	YF0-54110-03-18	.. PIN, SPRING .....	1	
9	YF1-52616-64-10	. BOLT .....	1	
10	YF0-45125-00-50	. WASHER, SPRING .....	1	
11	YF1-58415-62-30	. HOLDER, FORK LEVER .....	1	
12	YF0-10235-06-35	BOLT .....	2	
13	YK0-40125-00-60	WASHER, PLAIN (YF0-40125-00-60) .....	2	



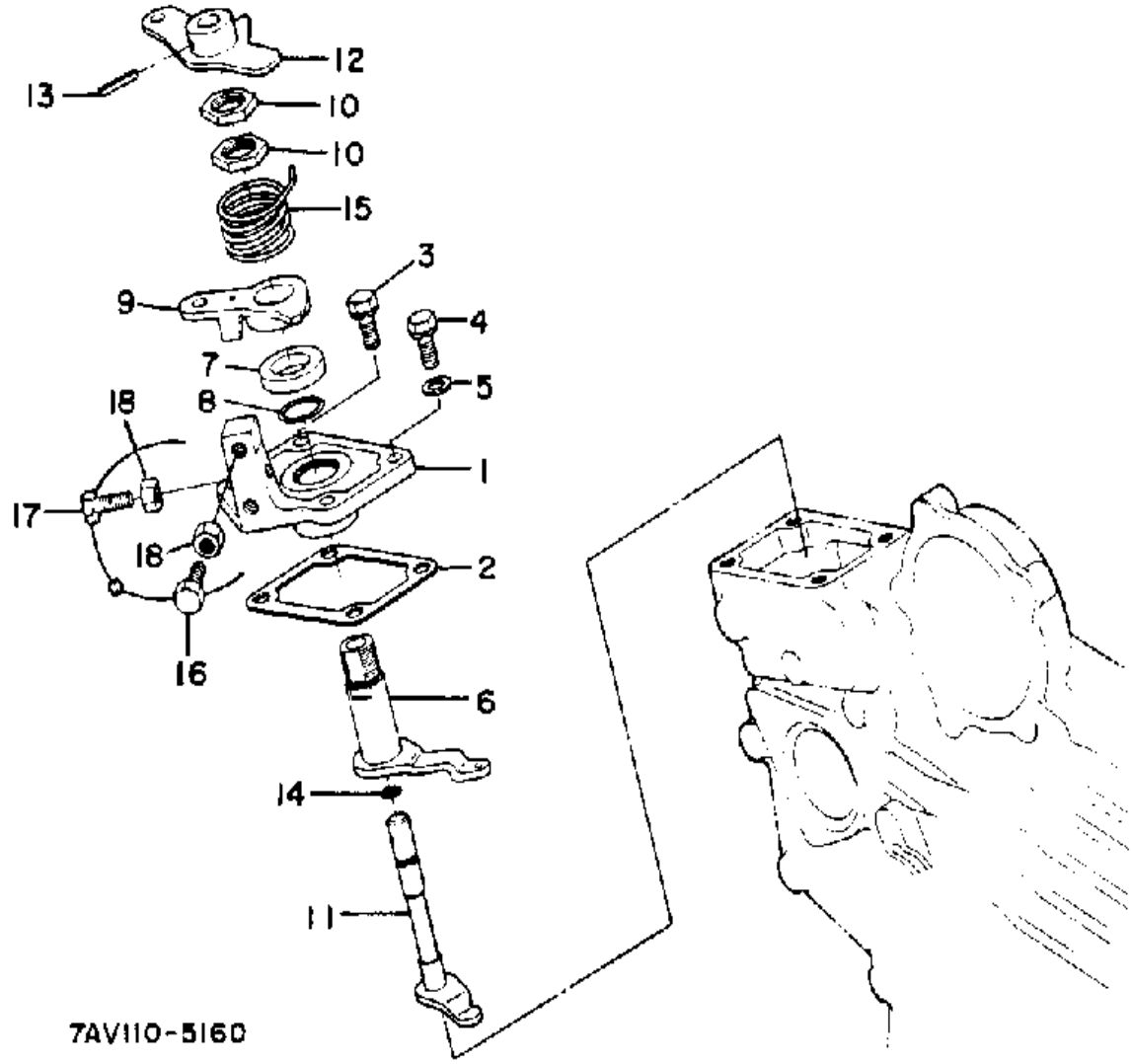
# GOVERNOR 2



Ref. No.	Part Number	Description	Qty	Remarks
1	7AV-11941-00-00	STAY .....	1	
2	95811-06016-00	BOLT, FLANGE (95822-06016) .	4	
3	7AV-11975-00-00	ROD, LINK 1 .....	1	
4	7AV-11976-00-00	ROD, LINK 2 .....	1	
5	7AV-11977-00-00	ROD, LINK 3 .....	1	
6	7AV-11978-00-00	ROD, LINK 4 .....	1	
7	90468-12131-00	CLIP .....	8	
8	90201-061A5-00	WASHER, PLATE .....	8	
9	95701-06500-00	NUT, FLANGE .....	4	
10	7AV-11951-00-00	PLATE .....	1	

7AV110-5280

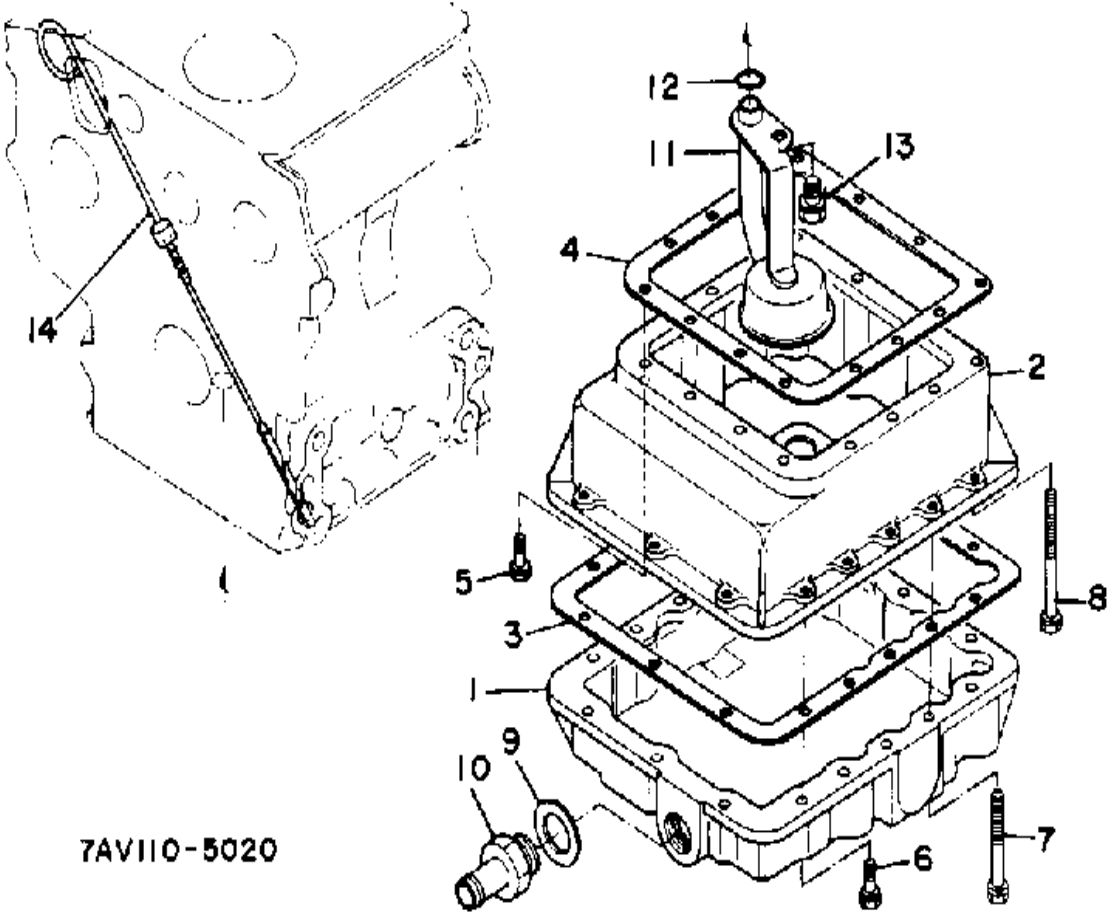
# SPEED CONTROL



Ref. No.	Part Number	Description	Qty	Remarks
1	YF1-58415-71-10	PLATE, SPEED CONTRL	1	
2	YF1-58415-72-10	GASKET	1	
3	YF0-10235-06-18	BOLT	2	
4	(YF0-10535-06-18)	BOLT	2	
5	YF1-56019-66-50	GASKET	2	
6	YF1-58415-61-10	LEVER, GOVERNOR	1	
7	YF1-58415-72-40	COLLAR	1	
8	YF0-48111-01-60	RING	1	
9	YF1-58465-71-50	LEVER, SPEED CONTRL	1	
10	YF1-58419-20-10	NUT	2	
11	YF1-58415-77-40	SHAFT, LEVER	1	
12	YF1-58465-77-20	LEVER, ENGINE STOP	1	
13	YF0-54110-03-18	PIN, SPRING	1	
14	YF0-48111-00-70	RING	1	
15	YF1-58465-79-20	SPRING, RETURN	1	
16	YF1-51085-72-84	STOPPER	2	
17	YF1-92029-10-10	BOLT	1	
18	95380-06600-00	NUT	3	

7AV110-5160

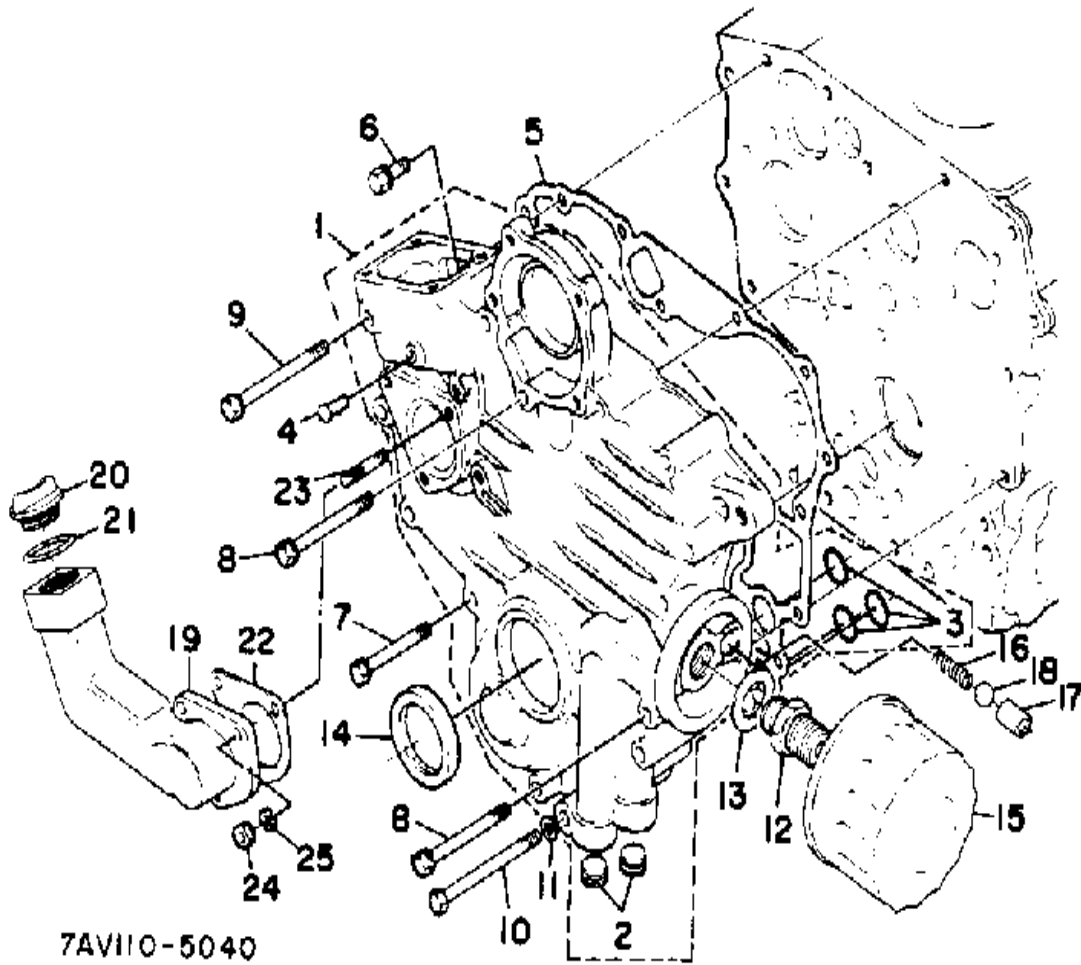
# OIL PAN



7AV110-5020

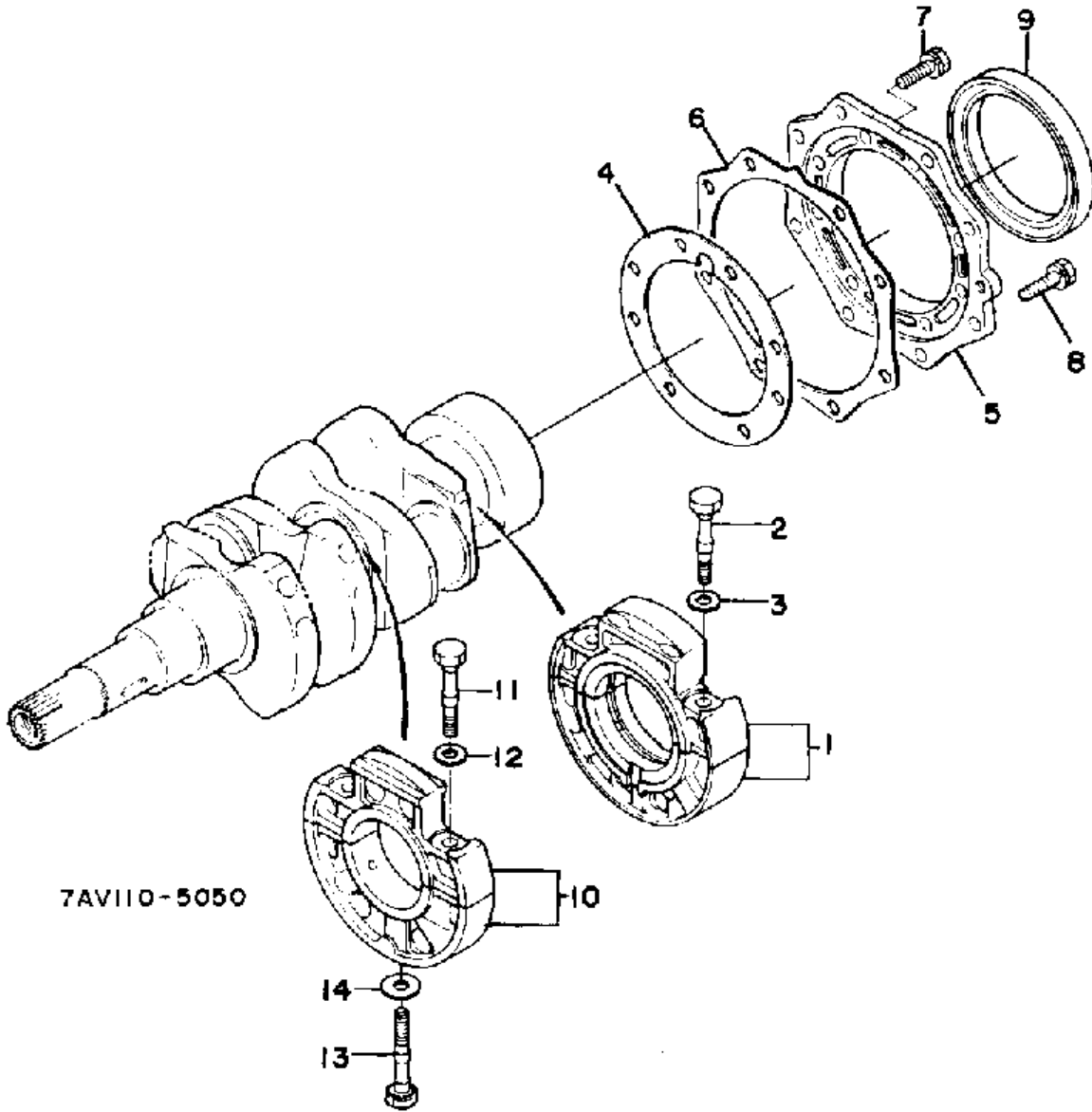
Ref. No.	Part Number	Description	Qty	Remarks
1	YF1-58460-16-10	OIL PAN	1	
2	YF1-58460-16-70	COVER, OIL PAN	1	
3	YF1-58460-16-80	GASKET	1	
4	YF1-58460-16-20	GASKET	1	
5	YF0-10235-06-20	BOLT	4	
6	YF0-10235-06-22	BOLT	12	
7	YF0-10235-06-60	BOLT	4	
8	YF0-10235-06-80	BOLT	10	
9	YF1-54519-66-70	GASKET	1	
10	YF1-79143-32-60	JOINT, PIPE 2	1	
11	YF1-58413-21-10	OIL FILTER	1	
12	YF0-48110-01-40	O-RING	1	
13	YF0-11235-08-14	BOLT	1	
14	YF1-58413-64-10	GAUGE, OIL	1	

# GEAR CASE



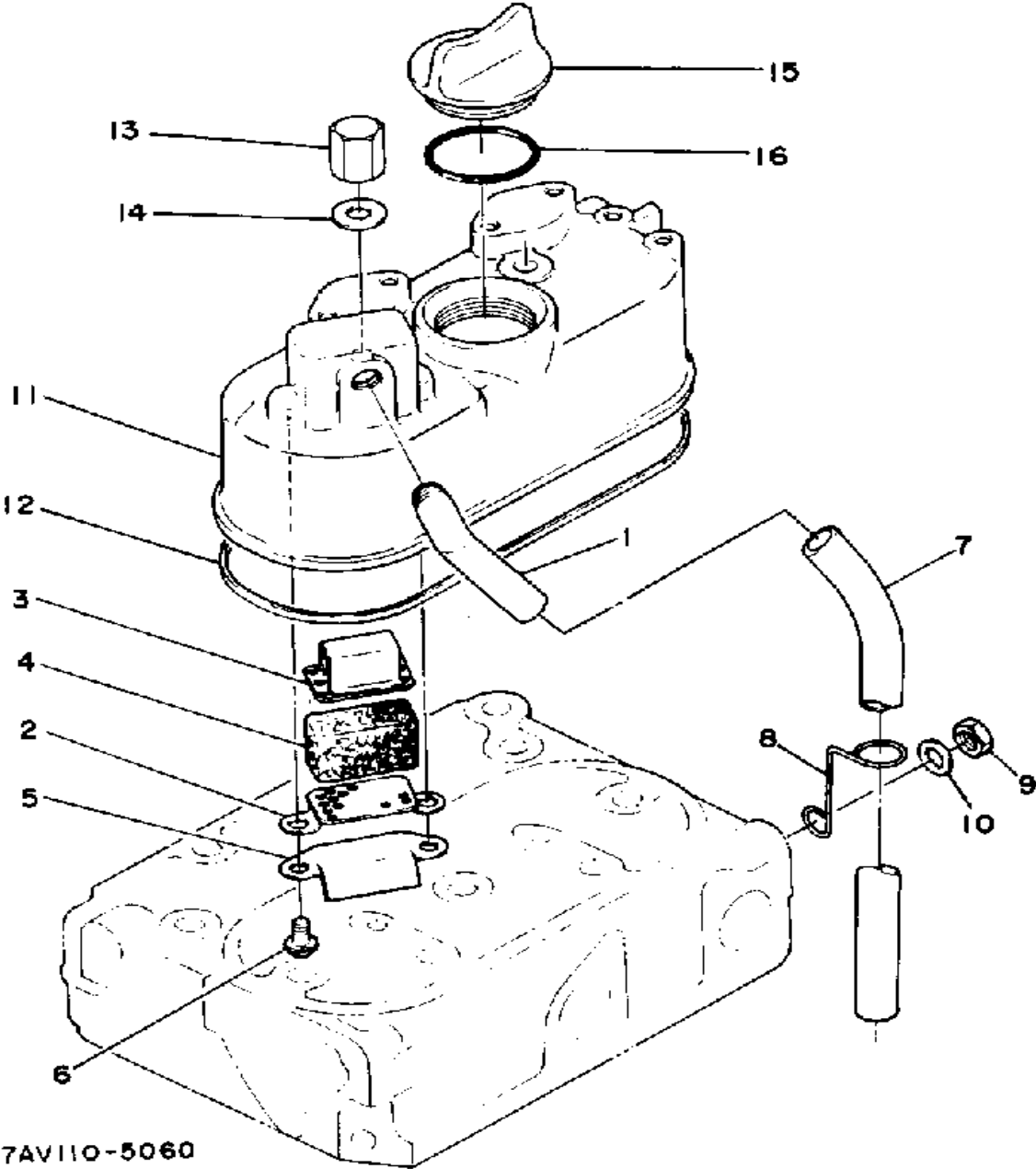
Ref. No.	Part Number	Description	Qty	Remarks
1	YF1-94610-40-20	GEAR CASE COMP. ....	1	
2	YF1-52619-60-20	. PLUG .....	2	
3	(YF0-48110-61-30)	O-RING .....	3	
4	YF1-58415-62-80	PIN, START SPRING .....	1	
5	YF1-58620-41-30	GASKET, GEAR CASE (YF1-58410-41-30) .....	1	
6	YF0-10235-06-18	BOLT .....	1	
7	YF0-10235-06-50	BOLT .....	10	
8	YF1-58419-10-10	BOLT .....	3	
9	YF0-10235-06-70	BOLT .....	1	
10	YF1-52419-10-20	BOLT .....	1	
11	YK0-45125-00-60	WASHER, SPRING (YF0-45125-00-60) .....	1	
12	YF1-58413-22-90	PIPE, JOINT .....	1	
13	90201-19551-00	WASHER, PLAIN .....	1	
14	YF1-58410-41-40	OIL SEAL .....	1	
15	YF1-58413-24-30	CARTRIDGE, OIL FLTR .....	1	
16	YF1-58413-69-50	SPRING .....	1	
17	YF1-58413-69-30	SEAT, VALVE .....	1	
18	YF0-77150-32-11	BALL .....	1	
19	YF1-58463-31-10	FLANGE, OIL FILLER .....	1	
20	YF1-38113-30-82	PLUG, OIL FILLER (YF1-38113-31-40) .....	1	
21	(YF0-48110-62-30)	O-RING .....	1	
22	YF1-94618-81-30	GASKET, H/M GEARCSE .....	1	
23	YF1-52218-82-10	STUD .....	3	
24	95380-06600-00	NUT .....	3	
25	YK0-45125-00-60	WASHER, SPRING (YF0-45125-00-60) .....	3	

# MAIN BEARING CASE



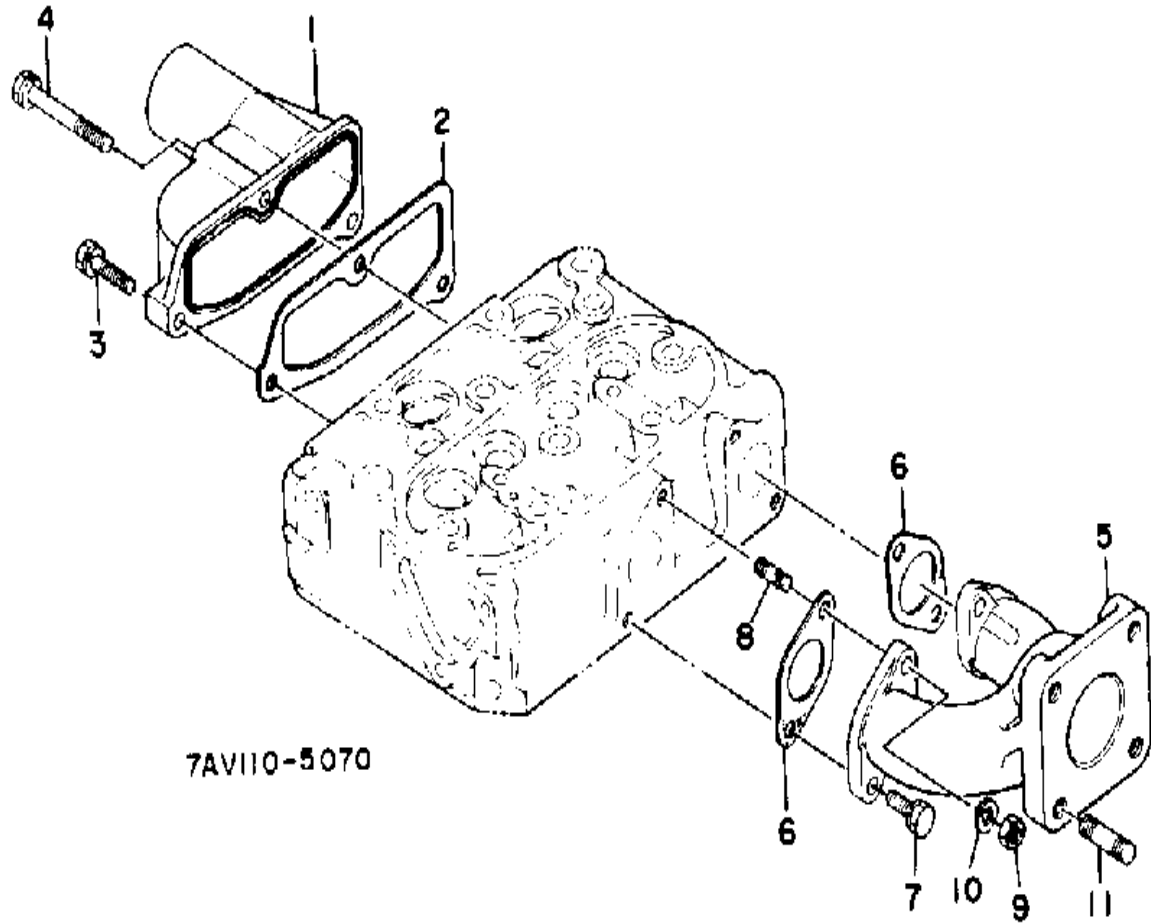
Ref. No.	Part Number	Description	Qty	Remarks
1	YF1-58410-40-90	CASE ASSEMBLY, MAIN BRG .	1	
2	YF1-46010-45-40	BOLT, BEARING CASE .....	2	
3	YF1-46010-45-70	WASHER, BRNG.CASE .....	2	
4	YF1-58410-43-60	GASKET, BRNG.CASE .....	1	
5	YF1-58410-48-10	COVER, BRNG CASE .....	1	
6	YF1-58410-48-20	GASKET .....	1	
7	YF0-10235-06-20	BOLT .....	8	
8	YF0-10235-06-22	BOLT .....	8	
9	YF1-92159-91-60	OIL SEAL .....	1	
10	YF1-58410-40-40	CASE ASSEMBLY, MAIN BRG.	1	
11	YF1-46010-45-40	BOLT, BEARING CASE .....	2	
12	YF1-46010-45-70	WASHER, BRNG.CASE .....	2	
13	YF1-58410-45-60	BOLT, BEARING CASE .....	1	
14	YF1-58410-45-80	WASHER, BRNG.CASE .....	1	

# HEAD COVER

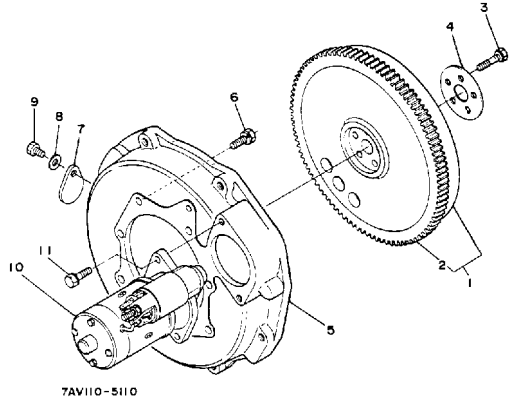


Ref. No.	Part Number	Description	Qty	Remarks
1	YF1-58410-55-50	JOINT, BRTHR PIPE .....	1	
2	YF1-58410-51-40	PLATE, ELEMENT .....	1	
3	YF1-58410-51-50	PLATE, ELEMENT .....	1	
4	YF1-58410-56-70	ELEMENT, BREATHER .....	1	
5	YF1-58410-53-70	OIL SHIELD, BRTHR .....	1	
6	(YF0-30245-05-10)	SCREW .....	2	
7	YF1-58460-55-10	PIPE, BREATHER .....	1	
8	YF1-58410-55-90	CLAMP, PIPE .....	1	
9	95380-08600-00	NUT .....	1	
10	YK0-40135-00-80	WASHER, PLAIN (YF0-40135-00-80) .....	1	
11	YF1-58411-45-10	COVER, CYLINDER. HEAD ...	1	
12	YF1-58411-45-20	GASKET, HEAD COVER .....	1	
13	YF1-46011-46-20	NUT, CAP .....	2	
14	YF1-56019-66-50	GASKET .....	2	
15	YF1-52213-31-40	PLUG, OIL FILTER .....	1	
16	YK0-48115-03-00	O-RING (YF0-48115-03-00) .....	1	

# MANIFOLD



Ref. No.	Part Number	Description	Qty	Remarks
1	YF1-58411-17-60	MANIFOLD, INLET .....	1	
2	YF1-58411-18-20	GASKET .....	1	
3	YF0-10235-06-18	BOLT .....	2	
4	YF0-10235-06-45	BOLT .....	1	
5	YF1-58411-23-10	MANIFOLD, EXHAUST .....	1	
6	YF1-58411-23-50	GASKET .....	2	
7	YF0-10235-06-18	BOLT .....	2	
8	YF0-15135-06-18	BOLT, STUD .....	2	
9	95380-06600-00	NUT .....	2	
10	YK0-45125-00-60	WASHER, SPRING (YF0-45125-00-60) .....	2	
11	(YF0-15135-08-22)	STUD .....	4	

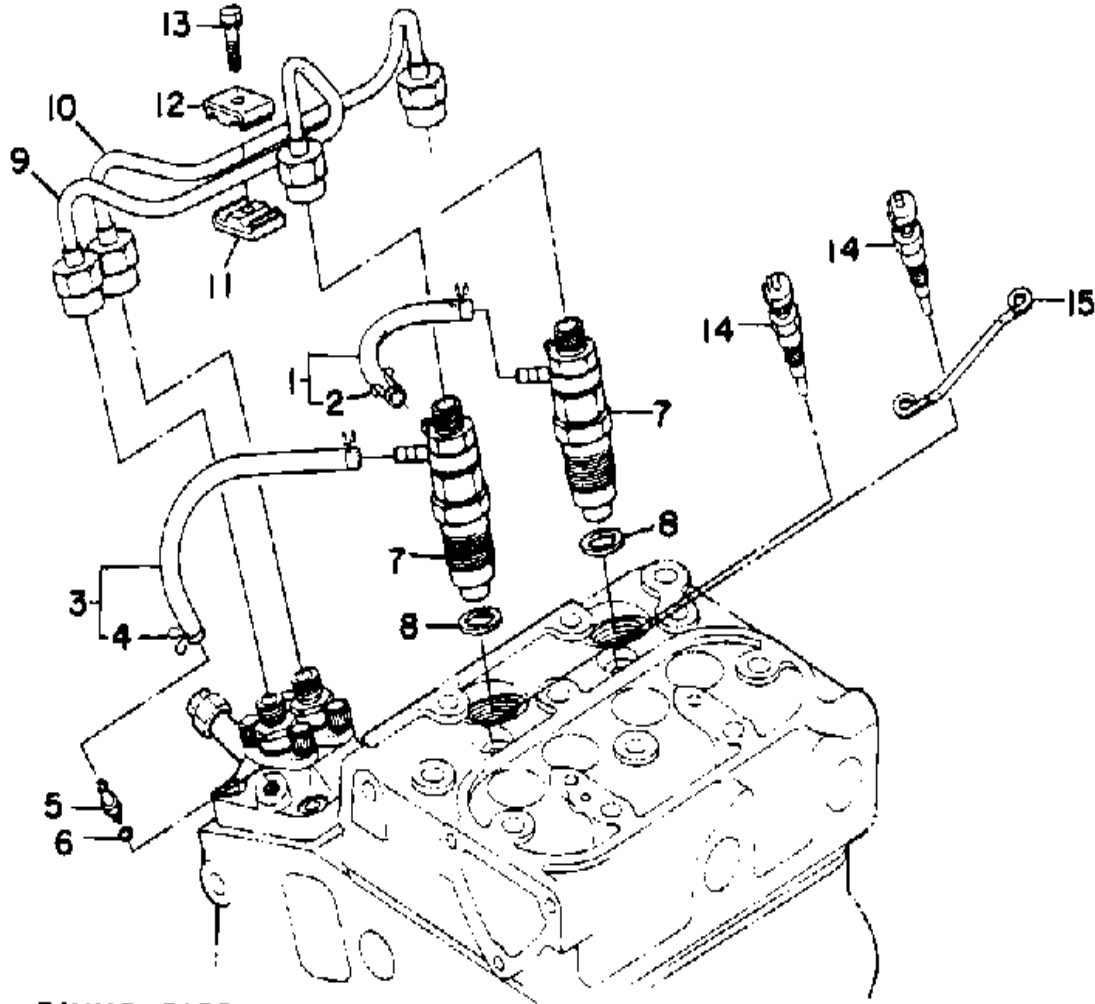


# FLYWHEEL

Ref. No.	Part Number	Description	Qty	Remarks
1	YF1-94612-50-12	FLYWHEEL ASSEMBLY. ....	1	
2	YF1-58416-38-20	. GEAR, RING .....	1	
3	YF1-58412-51-60	BOLT, FLYWHEEL .....	5	
4	YF1-55312-51-70	WASHER, FLYWHEEL .....	1	
5	YF1-58470-46-10	HOUSING, FLYWHEEL .....	1	
6	YF0-11235-08-20	BOLT .....	10	
7	YF3-12201-41-70	COVER .....	1	
8	YF0-11235-08-14	BOLT .....	1	
9	YK0-40135-00-80	WASHER, PLAIN (YF0-40135-00-80) .....	1	
10	YF1-58526-30-10	STARTER ASSEMBLY. ....	1	
11	YF0-11235-08-25	BOLT .....	2	



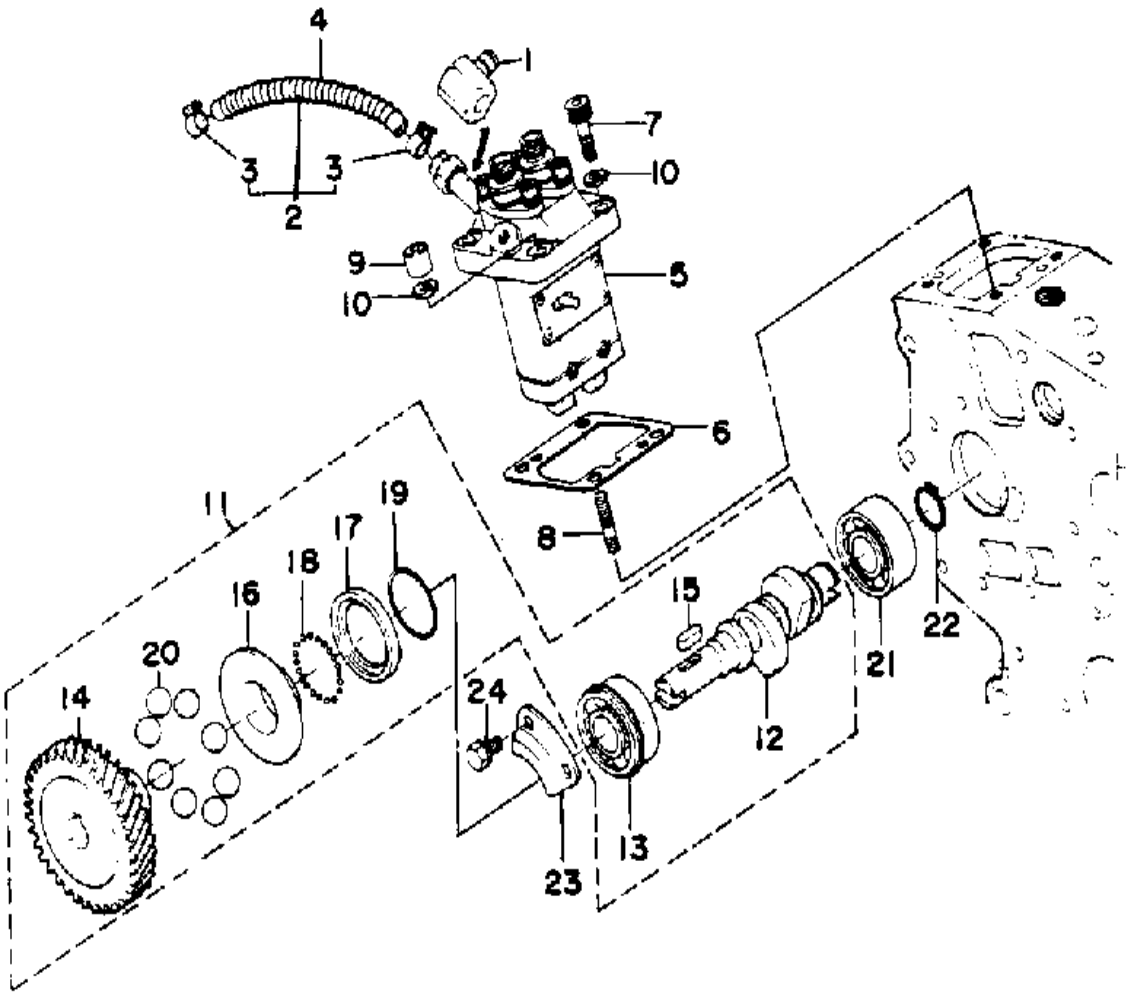
# NOZZLE HOLDER



Ref. No.	Part Number	Description	Qty	Remarks
1	YF1-58414-20-40	PIPE ASSEMBLY, OVER FLW	1	
2	YF1-02444-23-20	. CLIP, PIPE	2	
3	YF1-58414-25-00	PIPE ASSEMBLY, OVERFLOW	1	
4	YF1-02444-23-20	. CLIP, PIPE	2	
5	YF1-58415-13-60	SCREW	1	
6	YF1-56019-66-50	GASKET	1	
7	YF1-58415-30-00	HOLDER ASSEMBLY, NOZZLE	2	
8	YF1-58415-36-20	GASKET	2	
9	YF1-58415-37-10	PIPE, INJECTION	1	
10	YF1-58415-37-20	PIPE, INJECTION	1	
11	YF1-58415-38-50	CLAMP, PIPE	1	
12	YF1-58415-38-60	CLAMP, PIPE	1	
13	YF0-30245-05-20	SCREW, WITH WASHER	1	
14	YF1-59516-55-12	PLUG, GLOW (YF1-59516-55-10)	2	
15	YF1-58416-55-60	CORD, GLOW PLUG	1	

7AV110-5120

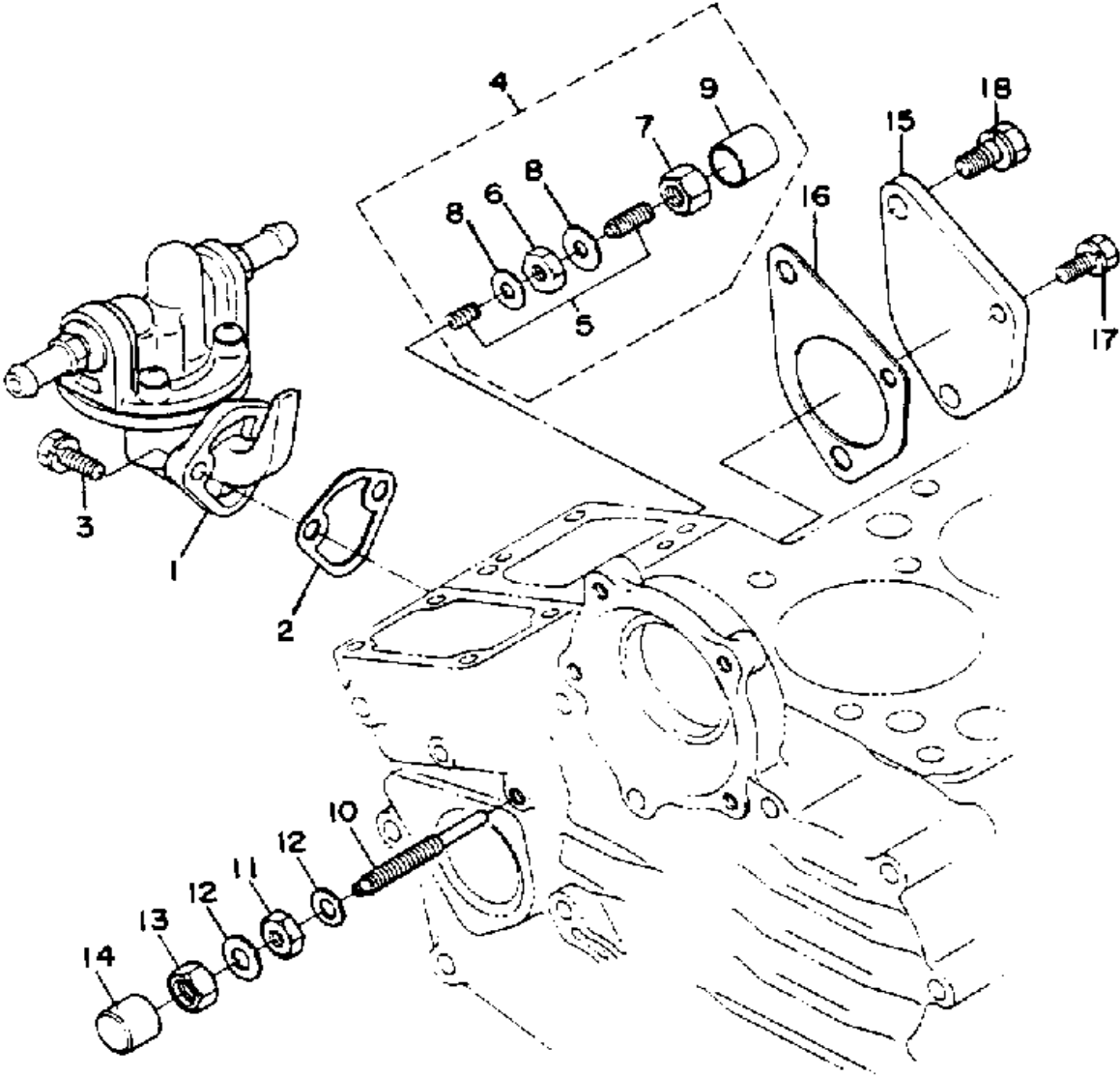
# INJECTION PUMP



7AV110-5130

Ref. No.	Part Number	Description	Qty	Remarks
1	YF1-58419-56-80	JOINT	1	
2	YF1-58414-20-10	PIPE ASSEMBLY, FUEL	1	
3	YF1-43014-27-50	. CLIP, PIPE	2	
4	YF1-58414-24-40	SPRING, PIPE PROTCT	1	
5	YF1-58525-10-10	PUMP ASSEMBLY, INJECTN.	1	
6	YF1-58415-21-10	SHIM, INJECT.PUMP	4	
7	YF0-13111-06-20	BOLT	3	
8	YF1-58419-15-00	STUD	1	
9	YF1-58419-23-20	NUT, CAP	1	
10	YK0-45125-00-60	WASHER, SPRING (YF0-45125-00-60)	4	
11	YF1-58411-60-22	CAMSHAFT ASSEMBLY, FUEL	1	
12	YF1-58411-61-72	. CAMSHAFT, FUEL	1	
13	YF0-81530-62-03	. BEARING, BALL	1	
14	YF1-58415-11-50	. GEAR, INJECT. PUMP	1	
15	YF0-57120-05-15	. KEY, FEATHER	1	
16	YF1-58415-54-50	. SLEEVE, GOVERNOR	1	
17	YF1-58415-56-90	. CASE, GOVERNOR BALL	1	
18	YF0-77150-08-01	. BALL	32	
19	YF1-52615-54-70	. CIRCLIP, GOVERNOR SLEEVE	1	
20	YF0-77150-32-17	. BALL	8	
21	YF0-81030-62-03	BEARING, BALL	1	
22	(YF0-46120-01-70)	CIRCLIP, EXTERNAL	1	
23	YF1-58411-63-20	STOPPER	1	
24	YF0-10235-06-12	BOLT	2	

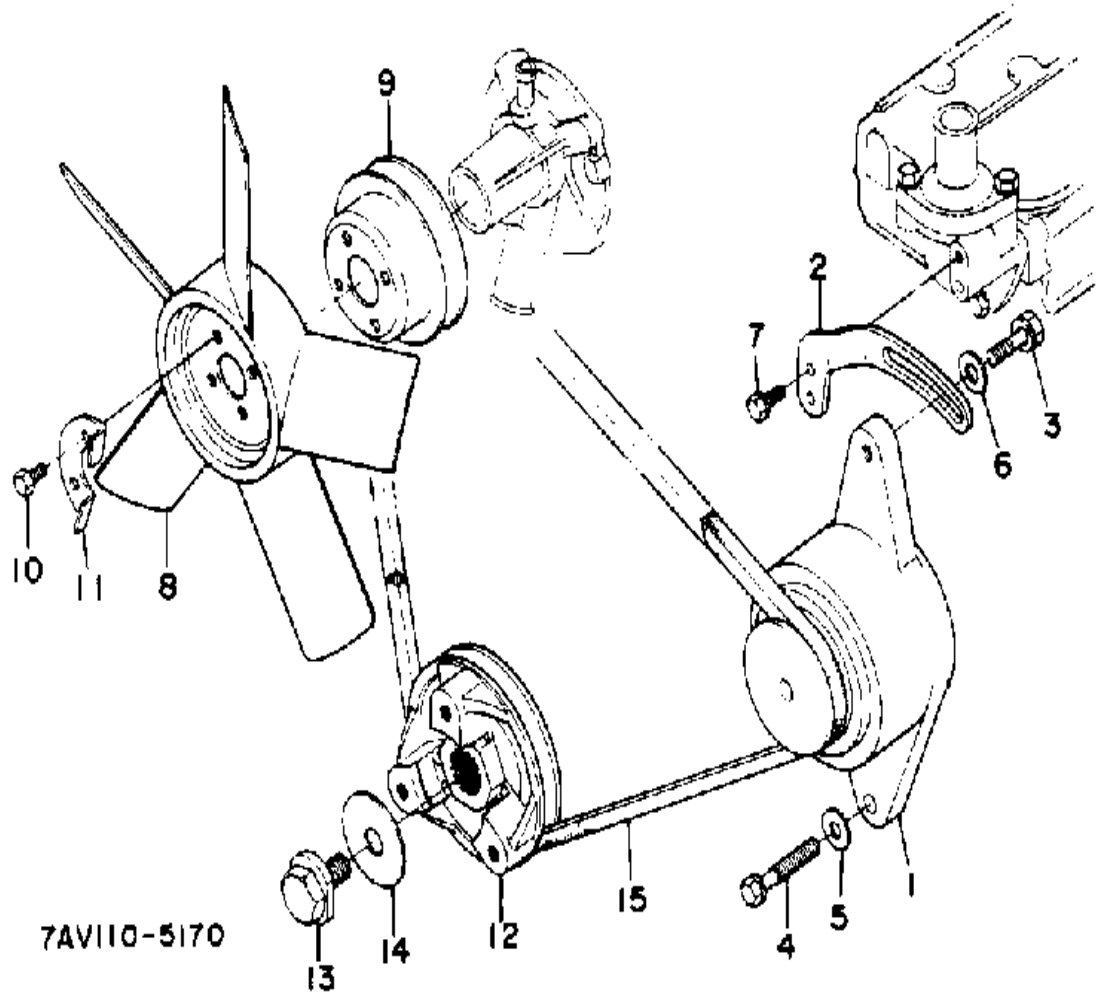
# FUEL PUMP



7AV110-5140

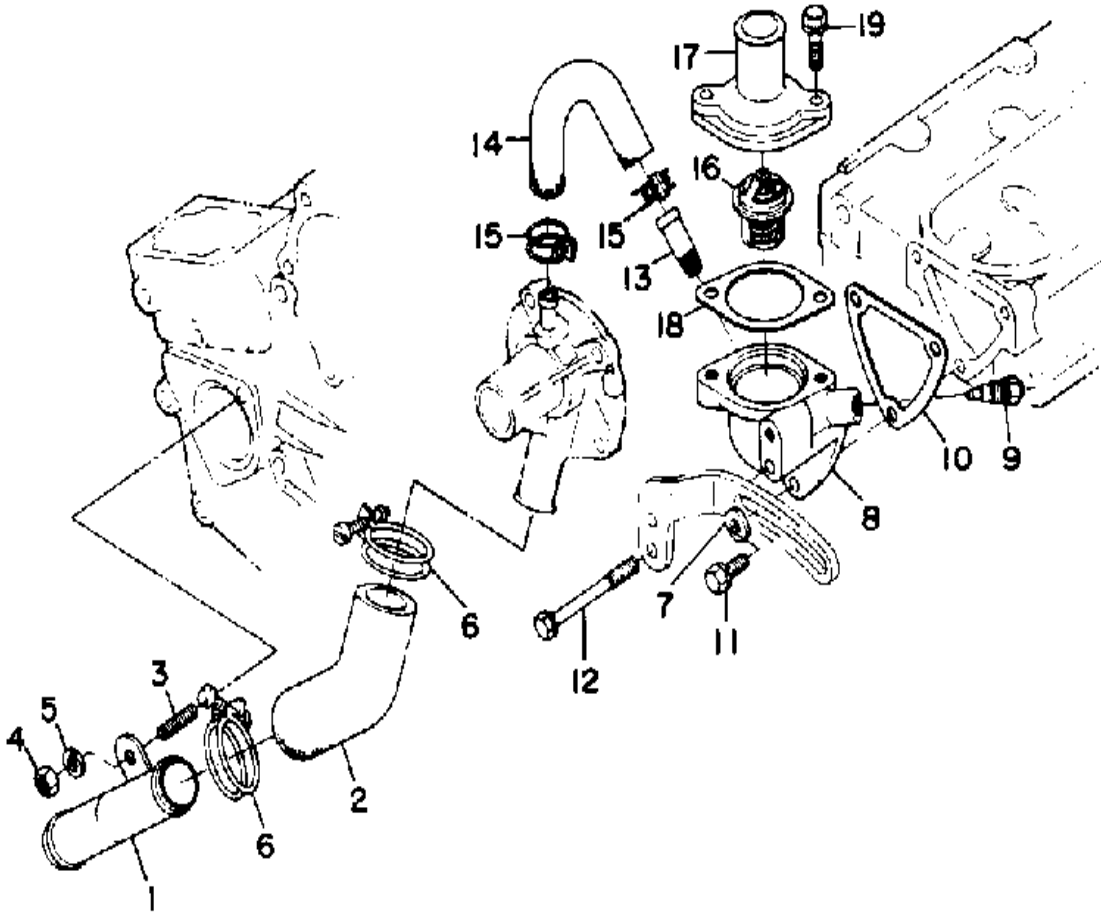
Ref. No.	Part Number	Description	Qty	Remarks
1	YF1-58415-20-30	PUMP ASSEMBLY, FUEL	1	
2	YF1-58415-21-40	GASKET, FUEL PUMP	1	
3	YF0-10235-06-16	BOLT	2	
4	YF1-58415-40-92	APPARATUS IDLE ASSEMBLY	1	
5	YF1-58415-41-00	. BOLT ASSEMBLY, ADJUSTING.	1	
6	90170-08173-00	. NUT, HEXAGON	1	
7	YF1-58415-42-20	. NUT, CAP	1	
8	YF1-50213-36-60	. GASKET	2	
9	YF1-58415-42-70	. CAP	1	
10	YF1-58415-41-22	BOLT, ADJUST.	1	
11	YF1-58419-20-20	NUT	1	
12	YF1-56019-66-50	GASKET	2	
13	YF1-58419-23-30	NUT, CAP	1	
14	YF1-58415-44-20	CAP	1	
15	YF1-58418-33-50	COVER	1	
16	YF1-58418-31-10	GASKET	1	
17	YF0-10235-06-16	BOLT	1	
18	YF0-11235-08-18	BOLT	2	

# FAN - DYNAMO



Ref. No.	Part Number	Description	Qty	Remarks
1	YF1-55316-40-13	DYNAMO ASSEMBLY	1	
2	YF1-58416-44-20	STAY, DYNAMO	1	
3	YF0-11235-08-25	BOLT	1	
4	YF1-58419-10-20	BOLT	1	
5	YK0-40135-00-80	WASHER, PLAIN (YF0-40135-00-80)	1	
6	90201-09425-00	WASHER, PLATE	1	
7	YF0-10235-06-16	BOLT	1	
8	YF1-58467-41-10	FAN	1	
9	YF1-58417-42-50	PULLEY, FAN	1	
10	YF0-10535-06-12	BOLT	4	
11	YF1-51317-42-30	WASHER, FAN	2	
12	YF1-58417-42-80	PULLEY, FAN DRIVE	1	
13	YF1-58419-10-30	BOLT	1	
14	YF1-58419-40-30	WASHER, PLAIN	1	
15	YF1-58419-70-10	BELT	1	

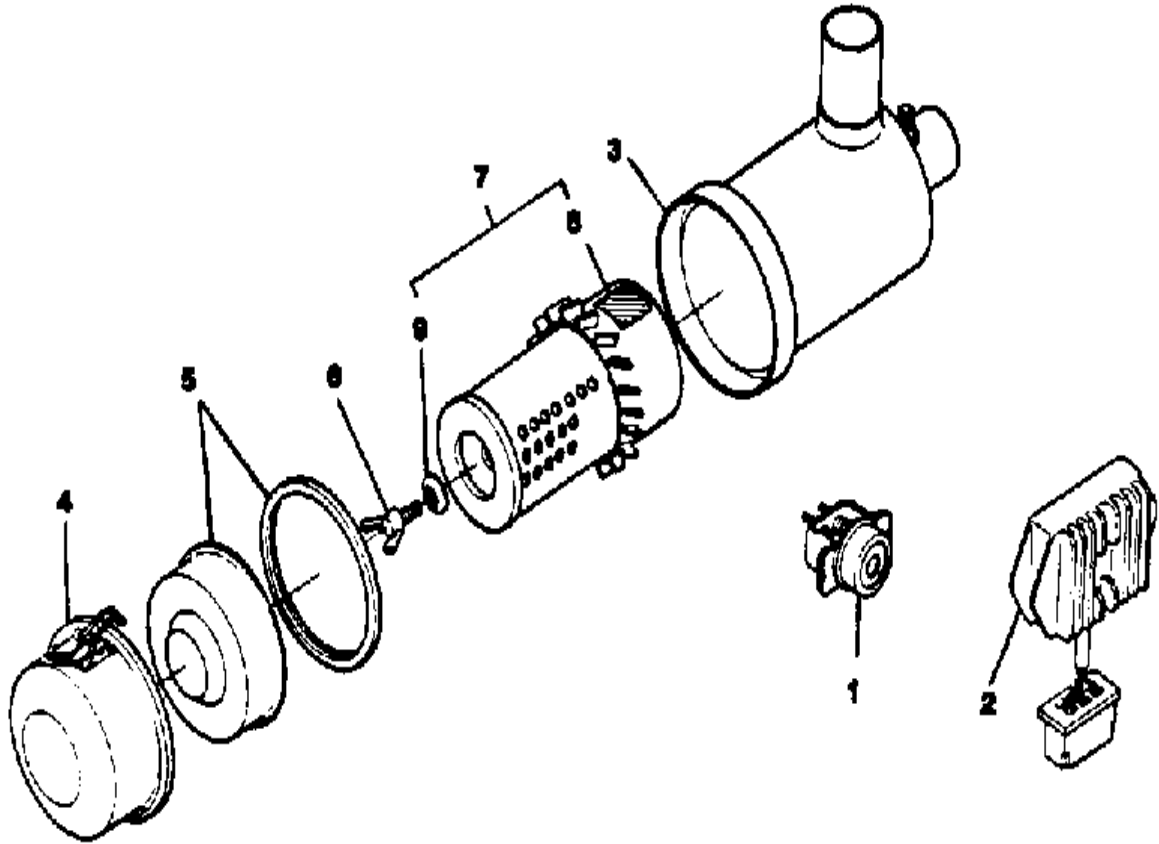
# COOLING PIPE



7AV110-5180

Ref. No.	Part Number	Description	Qty	Remarks
1	YF1-58417-28-60	PIPE, WATER .....	1	
2	YF1-58417-28-70	PIPE, WATER .....	1	
3	YF1-58419-15-10	STUD .....	1	
4	95380-06600-00	NUT .....	1	
5	YK0-45125-00-60	WASHER, SPRING (YF0-45125-00-60) .....	1	
6	YF6-62043-62-30	BAND, PIPE .....	2	
7	YK0-40125-00-60	WASHER, PLAIN (YF0-40125-00-60) .....	1	
8	YF1-58477-27-00	FLANGE, WATER (YF1-58477-27) .....	1	
9	YF1-55438-30-41	SWITCH, THERMOMETER (YF1-55438-30-40) .....	1	
10	YF1-58417-29-20	GASKET, WATER FLNG. ....	1	
11	YF0-10235-06-16	BOLT .....	2	
12	YF1-58419-10-40	BOLT .....	1	
13	YF1-55317-33-40	PIPE, WATER RETURN .....	1	
14	YF1-58417-33-50	PIPE, WATER RETURN .....	1	
15	YF1-55317-33-60	BAND, PIPE .....	2	
16	YF1-55317-30-11	THERMOSTAT ASSEMBLY ...	1	
17	YF1-58417-32-60	COVER, THERMOSTAT .....	1	
18	YF1-56767-32-70	GASKET .....	1	
19	YF0-10235-06-22	BOLT .....	2	

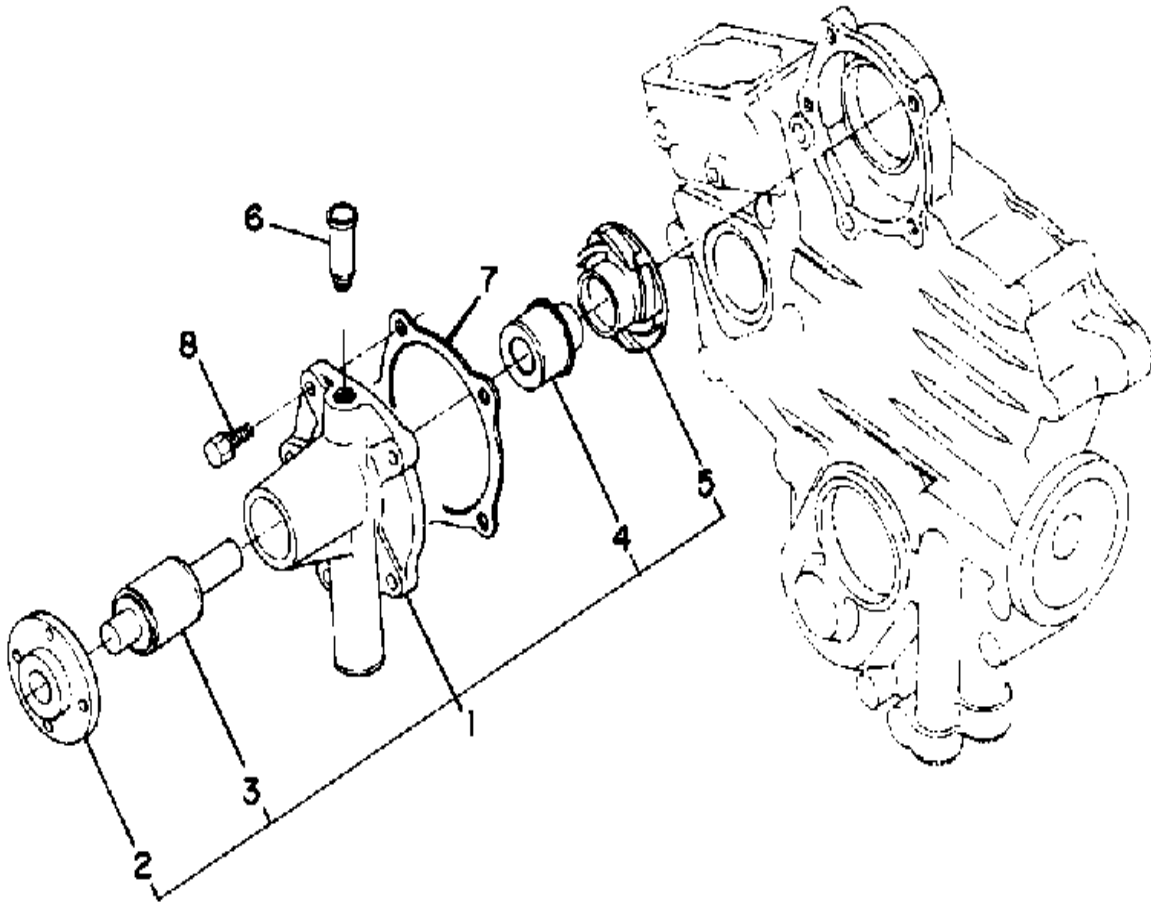
# AIR FILTER



7AV110-5200

Ref. No.	Part Number	Description	Qty	Remarks
1	YF1-59516-59-51	INDICATOR (YF1-59516-59-50)	1	
2	99999-01884-00	REC/REG SET (7AV) (YF1-55336-46-01)	1	
3	YF1-55451-11-50	BODY, AIR CLEANER	1	
4	YF1-55891-11-61	COVER, AIR CLEANER (YF1-55891-11-60)	1	
5	YF1-52211-14-10	COVER, BAFFLE	1	
6	YF1-52219-26-21	BOLT, WING	1	
7	YF1-55621-10-80	ELEMENT ASSEMBLY, CLNR.	1	
8	YF1-52278-74-80	. LABEL, ELEMENT A/C	1	
9	YF1-52219-44-30	. WASHER, WITH RUBBER	1	

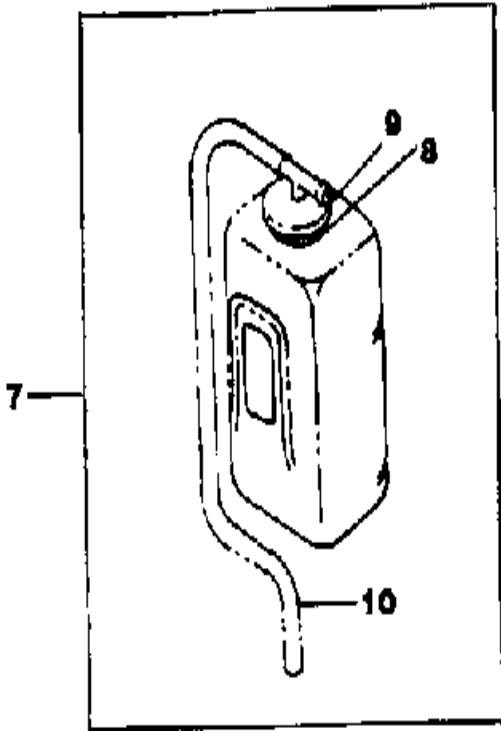
# WATER PUMP



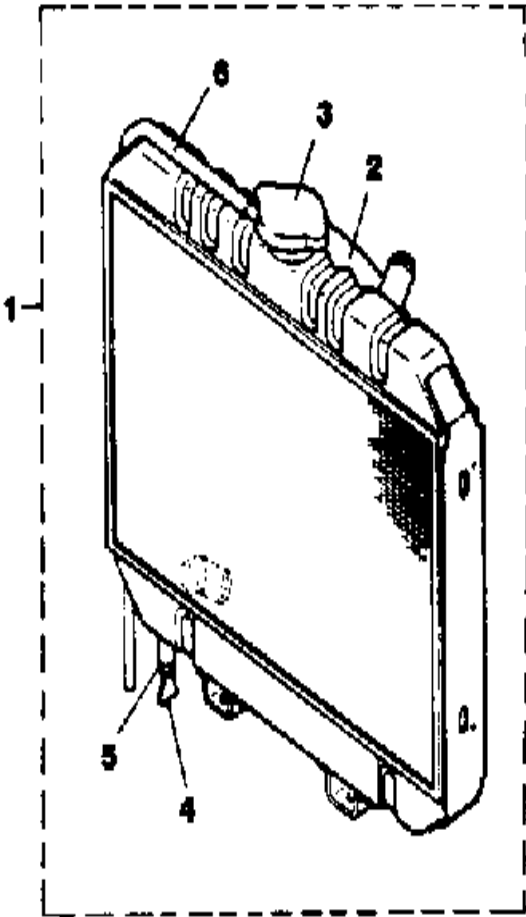
7AV110-5190

Ref. No.	Part Number	Description	Qty	Remarks
1	YF1-58527-30-30	PUMP ASSEMBLY, WATER (YF1-58417-30-30)	1	
2	YF1-55317-35-20	. FLANGE, WATER PUMP	1	
3	(YF1-58417-35-50)	BEARING	1	
4	YF1-58417-30-50	. SEAL ASSEMBLY, MECHANICAL	1	
5	YF1-58417-35-10	. IMPELLER, WATER PMP	1	
6	YF1-55317-33-40	PIPE, WATER RETURN	1	
7	YF1-58417-34-30	GASKET, WATER PUMP	1	
8	YF0-10235-06-25	BOLT	4	

# RADIATOR



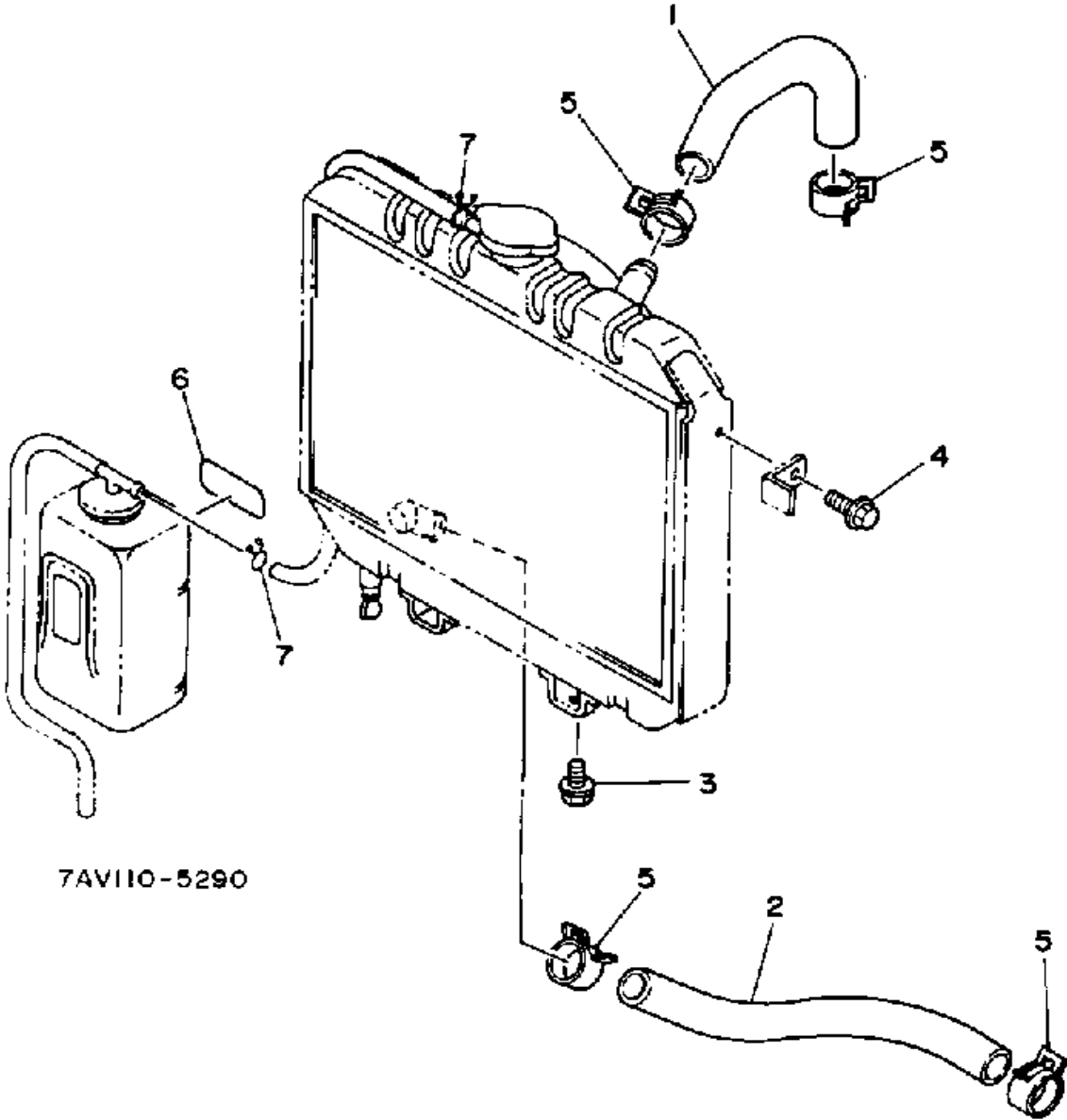
7AV110-5210



Ref. No.	Part Number	Description	Qty	Remarks
1	YF1-58467-20-60	RADIATOR ASSEMBLY	1	
2	YF1-58617-23-30	. SHROUD, FAN	1	
3	YF1-52727-20-20	. CAP ASSEMBLY	1	
4	YF1-52317-31-10	. COCK, DRAIN	1	
5	YF1-52319-66-90	. GASKET	1	
6	YF1-58617-27-10	. PIPE, OVERFLOW	1	
7	YF1-58467-24-02	TANK ASSEMBLY, RESERVE	1	
8	YF1-55317-24-20	. CAP	1	
9	YF1-55317-24-30	. GASKET	1	
10	YF1-55317-24-42	. PIPE, WATER OVER FLOW	1	

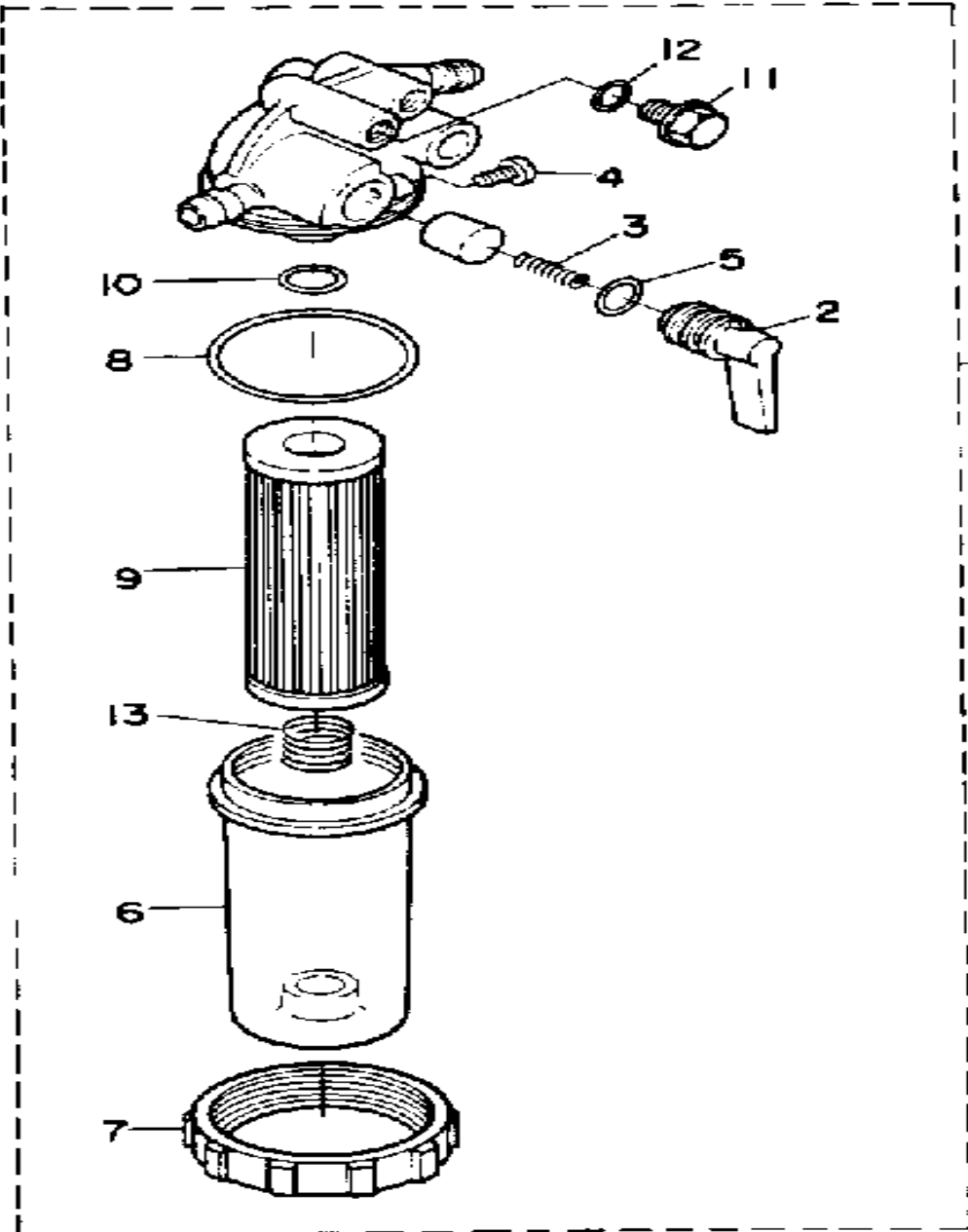


# RADIATOR HOSE



Ref. No.	Part Number	Description	Qty	Remarks
1	7AV-12481-00-00	PIPE 1 .....	1	
2	7AV-12482-00-00	PIPE 2 .....	1	
3	95811-10016-00	BOLT, FLANGE (95801-10016) .	2	
4	95811-06010-00	BOLT, FLANGE .....	2	
5	90467-28046-00	CLIP .....	4	
6	7AV-52697-00-00	INDICATOR 5 .....	1	
7	90467-10008-00	CLIP .....	2	

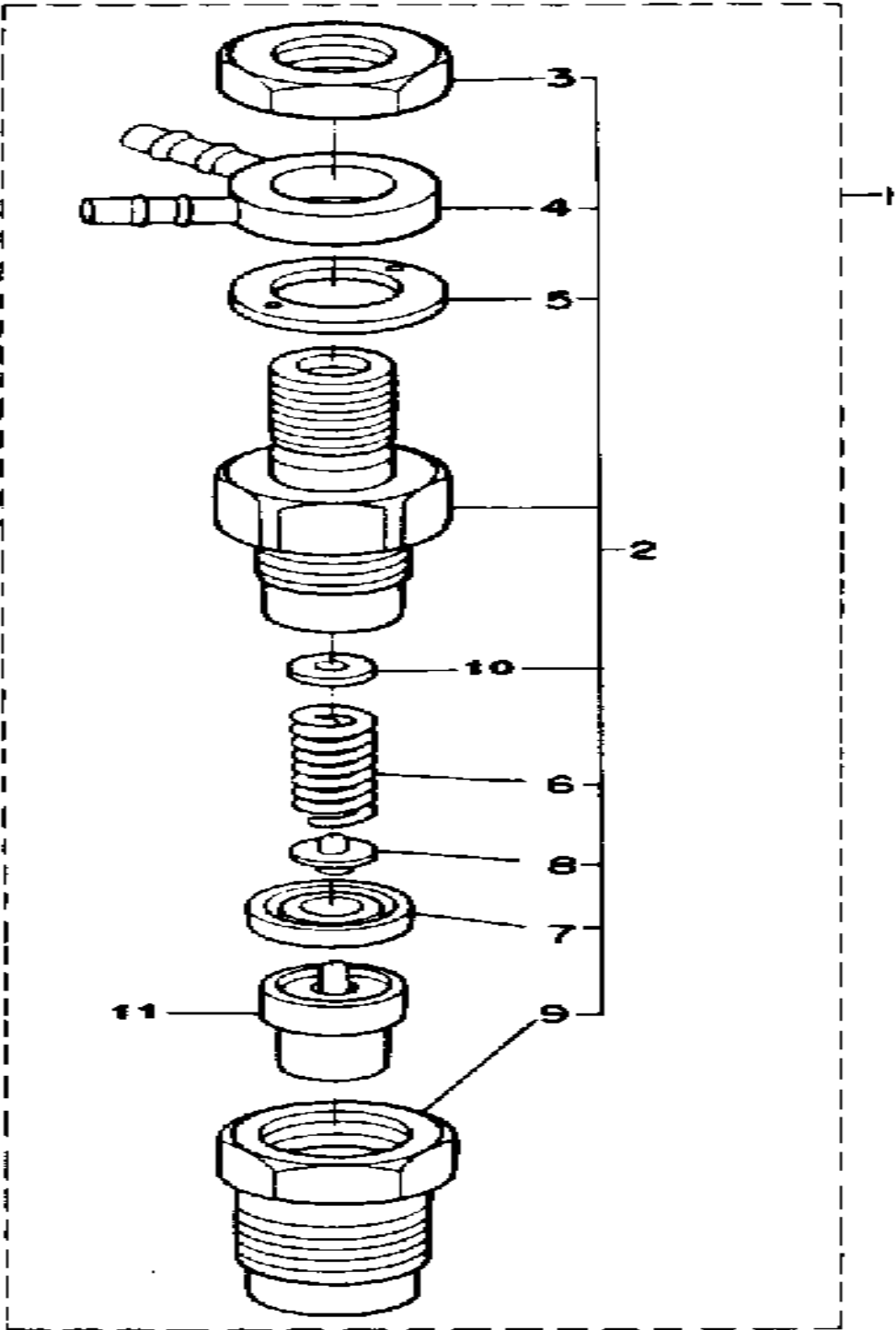
# FUEL FILTER (SECTION PARTS)



7AV110-5220

Ref. No.	Part Number	Description	Qty	Remarks
1	YF1-58464-30-14	FILTER ASSEMBLY, FUEL (YF1-58464-30-10)	1	
2	YF1-43014-35-22	. LEVER, COCK	1	
3	YF1-43014-38-20	. SPRING, VALVE	1	
4	YF1-43014-38-30	. SCREW	1	
5	YF1-43014-38-40	. O-RING, LEVER	1	
6	YF1-50003-48-30	. CUP, FILTER	1	
7	YF1-43014-35-91	. RING, RETAINING (YF1-43014-35-90)	1	
8	YF1-43014-36-51	. O-RING, FILTER (YF1-43014-36-50)	1	
9	YF1-52314-35-63	. ELEMENT ASSEMBLY (YF1-52314-35-60)	1	
10	YF0-48110-01-00	. O-RING, FILTER (YF1-43014-35-71)	1	
11	YF1-52314-32-83	. SCREW, AIR BRTHR.	2	
12	(YF0-48100-00-60)	O-RING	2	
13	YF1-50003-48-40	. SPRING	1	

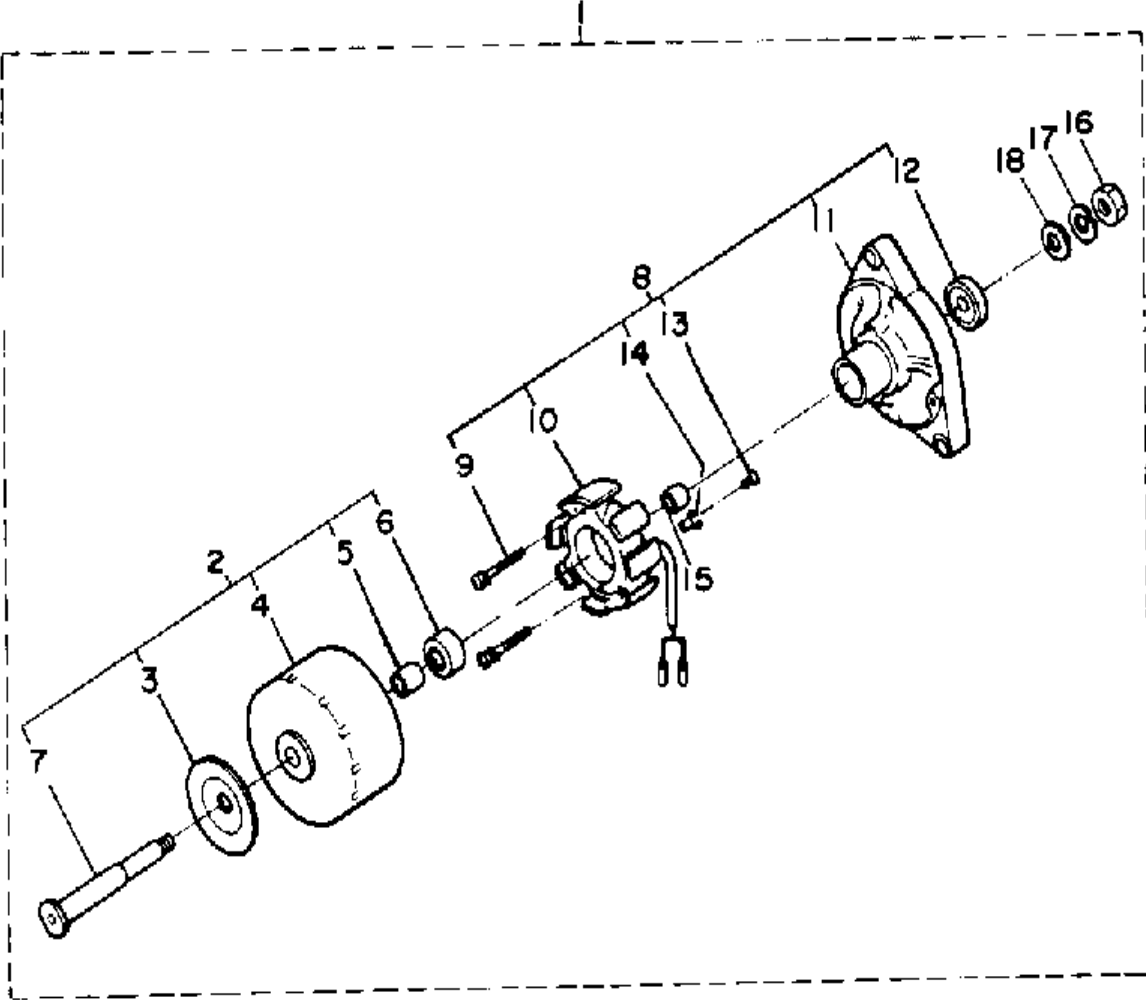
# NOZZLE HOLDER (SECTION PARTS)



7AV110-5230

Ref. No.	Part Number	Description	Qty	Remarks
1	YF1-58415-30-00	HOLDER ASSEMBLY, NOZZLE	2	
2	YF1-58415-30-00	. HOLDER ASSEMBLY, NOZZLE	2	
3	YF1-58419-20-20	.. NUT .....	2	
4	YF1-58419-56-90	.. JOINT .....	2	
5	YF1-58415-32-30	.. WASHER, ADJUST. ....	2	
6	YF1-58415-31-70	.. SPRING, NOZZLE .....	2	
7	YF1-58415-33-50	.. PIECE, DISTANCE .....	2	
8	YF1-58415-31-60	. ROD, PUSH .....	2	
9	YF1-58415-32-80	.. NUT, NOZZLE .....	2	
10	YF1-58419-81-00	.. WASHER, ADJUSTING .....	2	
11	YF1-58415-36-10	. PIECE, NOZZLE .....	2	

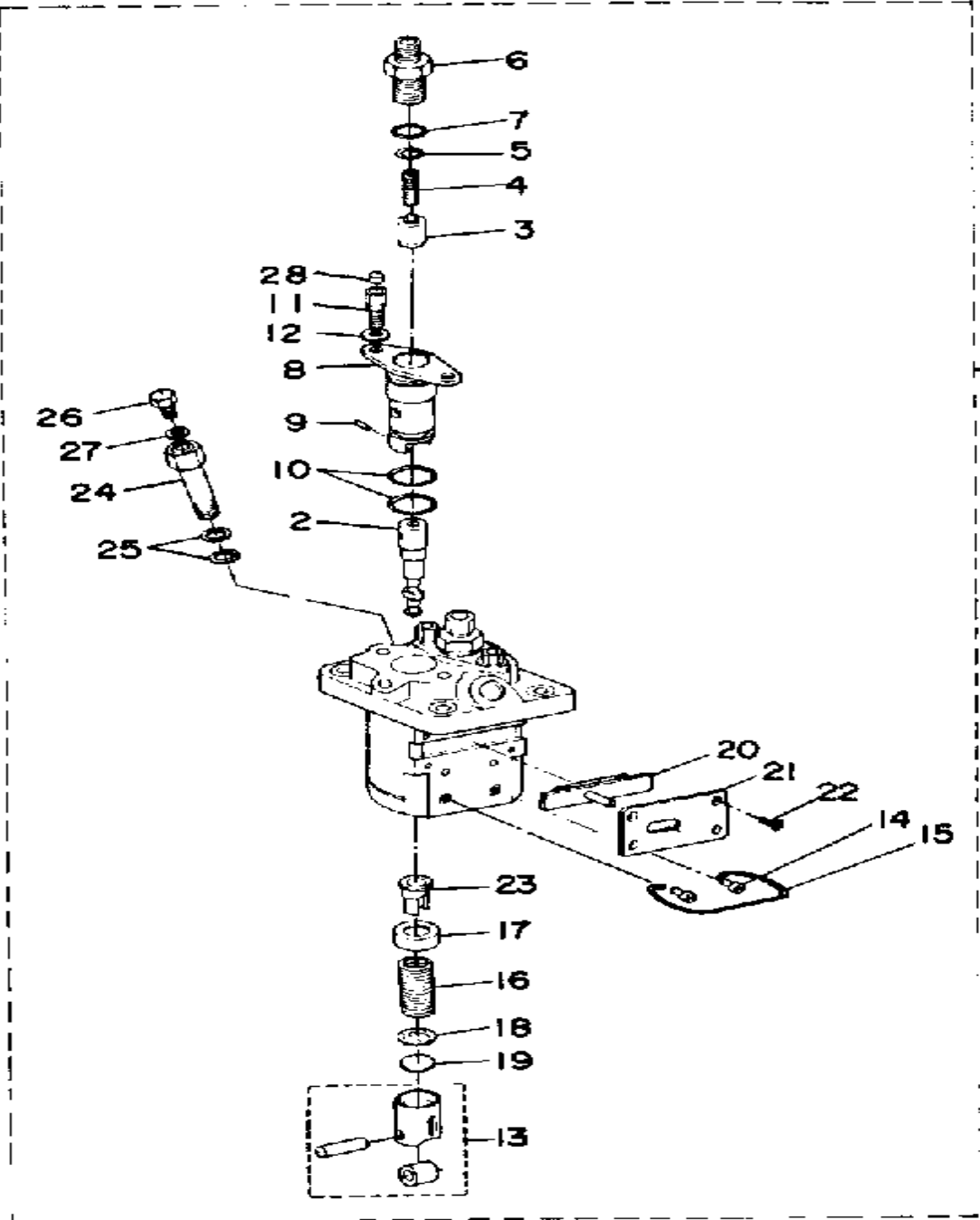
# DYNAMO (SECTION PARTS)



7AV110-5240

Ref. No.	Part Number	Description	Qty	Remarks
1	YF1-55316-40-13	DYNAMO ASSEMBLY	1	
2	YF1-55316-41-22	. ROTOR COMP.	1	
3	YF1-55316-41-10	.. PULLEY	1	
4	YF1-55316-40-40	.. ROTOR	1	
5	YF1-55316-41-40	.. COLLAR	1	
6	YF1-55317-41-81	.. BEARING, BALL	2	
7	YF1-55317-41-40	. SHAFT, FAN	1	
8	YF1-55316-43-63	. STATOR ASSEMBLY.	1	
9	YF1-52619-30-10	.. SCREW, ROUND HEAD	2	
10	YF1-55316-42-92	.. STATOR	1	
11	YF1-55316-40-72	.. PLATE, CONTROL	1	
12	YF1-55317-41-81	.. BEARING, BALL	1	
13	YF1-55319-30-10	.. SCREW, ROUND HEAD	1	
14	YF1-55316-41-90	.. CLAMP, CORD	1	
15	YF1-52616-41-50	. COLLAR	1	
16	95701-10500-00	. NUT, FLANGE (95702-10500)	1	
17	92901-10100-00	. WASHER, SPRING	1	
18	90201-10774-00	. WASHER, PLATE	1	

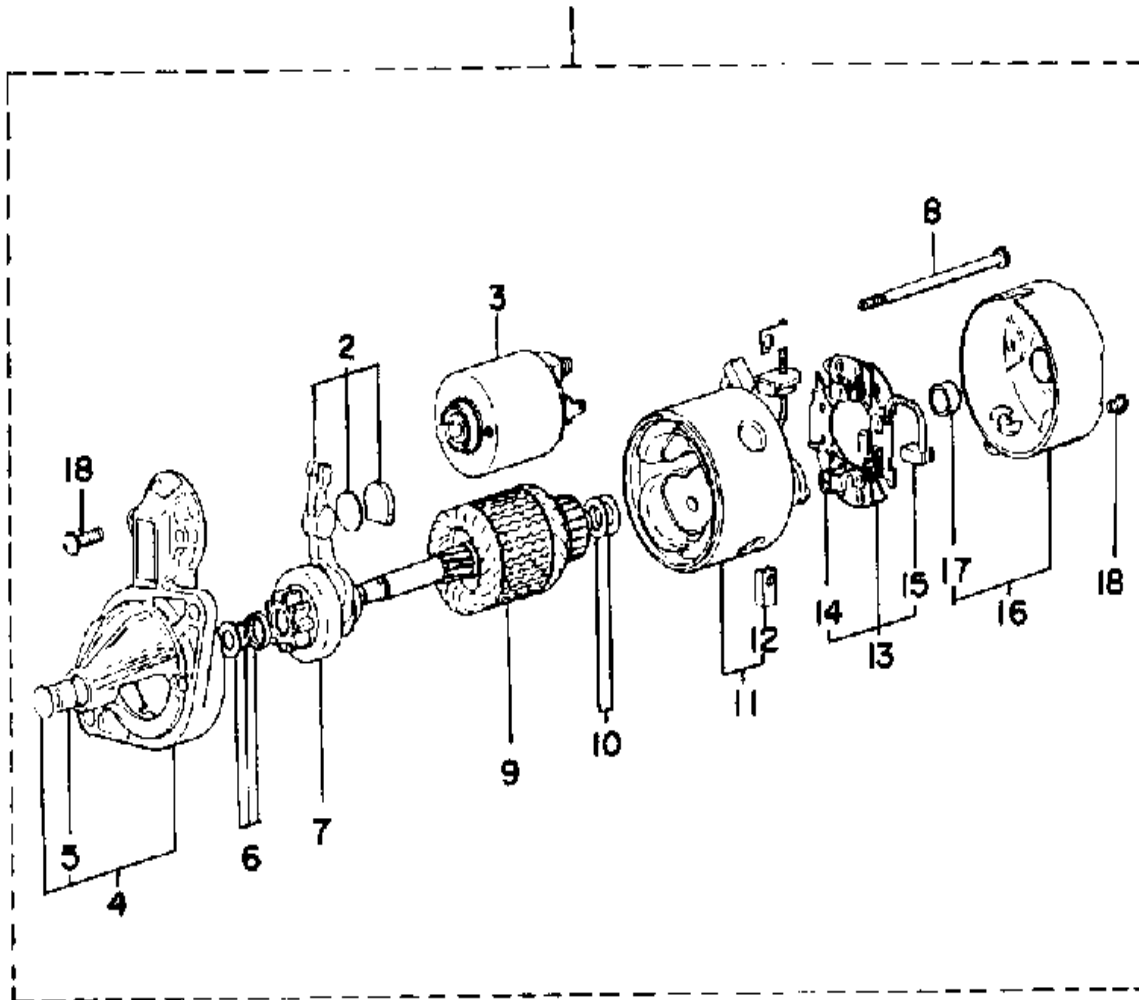
# INJECTION PUMP (SECTION PARTS)



7AV110-5250

Ref. No.	Part Number	Description	Qty	Remarks
1	YF1-58525-10-10	PUMP ASSEMBLY, INJECTN.	1	
2	YF1-58415-10-50	. ELEMENT, PUMP	2	
3	YF1-58415-10-30	. VALVE, DELIVERY	2	
4	YF1-58415-12-30	. SPRING, DELIVER VLV	2	
5	YF1-58415-12-40	. GASKET, DLVERY.VLV.	2	
6	YF1-58415-12-20	. HOLDER, DELVRY.VLV.	2	
7	(YF1-58419-67-60)	O-RING	2	
8	YF1-58415-15-60	. FLANGE, SLEEVE	2	
9	YF1-58419-45-70	. PIN, JOINT	2	
10	(YF1-58415-12-00)	O-RING	4	
11	YF1-58419-14-30	. BOLT	4	
12	YF1-58415-14-70	. WASHER	4	
13	YF1-58415-10-70	. TAPPET ASSEMBLY.	2	
14	YF1-58415-12-50	. PIN, TAPPET GUIDE	2	
15	YF1-58415-14-30	. PIN, CLAMP	1	
16	YF1-58415-12-80	. SPRING, PLUNGER	2	
17	YF1-58415-12-70	. SEAT, SPRING UPPER	2	
18	YF1-58415-12-90	. SEAT, SPRING UNDER	2	
19	YF1-58415-14-90	. SHIM	1	
20	YF1-58415-10-60	. RACK, CONTROL	1	
21	YF1-58415-15-40	. PLATE	1	
22	YF1-58419-31-10	. SCREW	4	
23	YF1-58415-13-80	. SLEEVE, CONTROL	2	
24	YF1-58415-13-20	. SCREW	1	
25	YF1-58419-66-50	. GASKET	2	
26	YF1-58415-13-50	. SCREW	1	
27	YF1-58419-66-60	. GASKET	1	
28	YF1-58419-60-30	. PLUG	4	

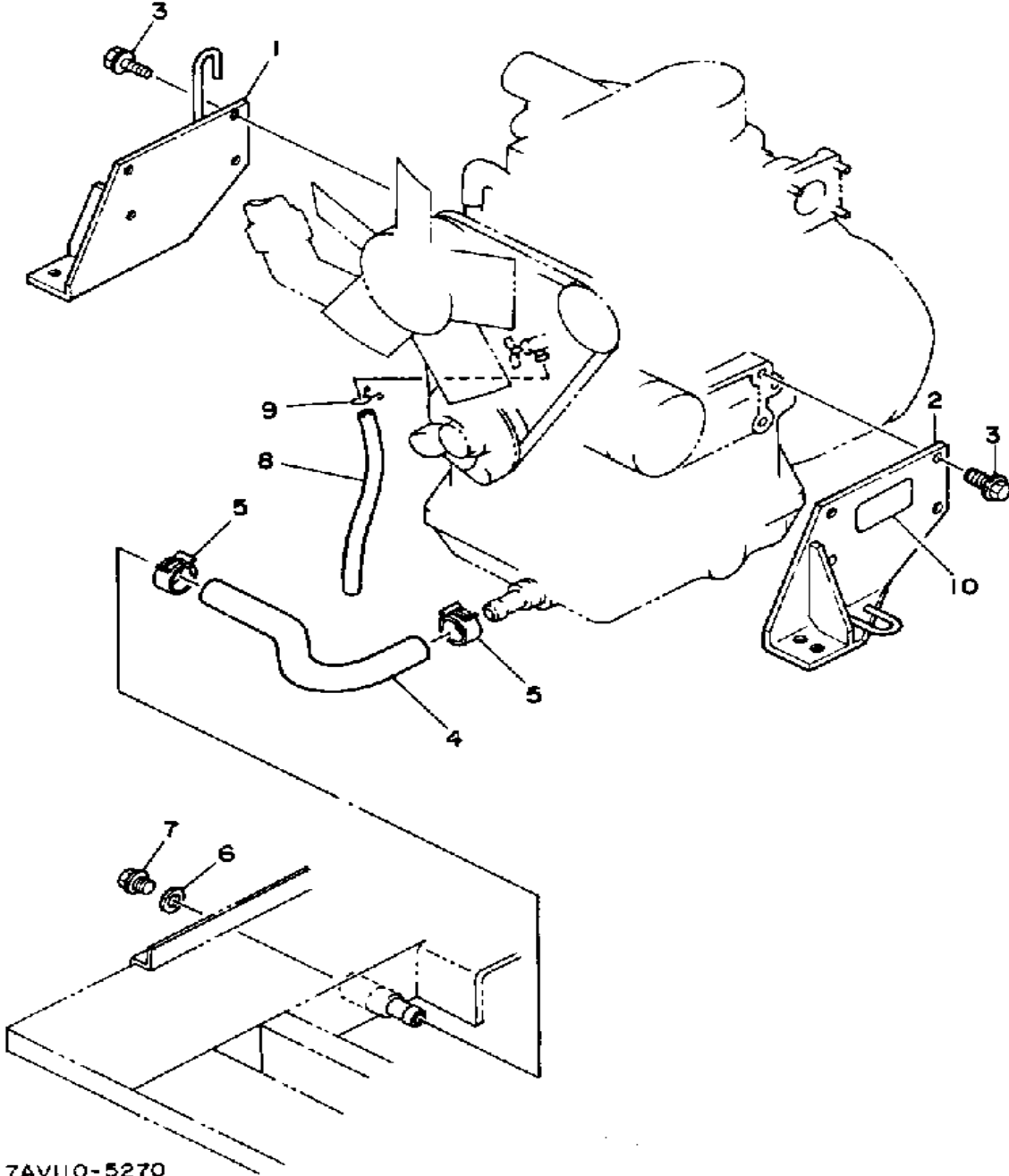
# STARTER (SECTION PARTS)



7AV110-5260

Ref. No.	Part Number	Description	Qty	Remarks
1	YF1-58526-30-10	STARTER ASSEMBLY. ....	1	
2	YF1-58526-30-50	. LEVER, DRIVE .....	1	
3	YF1-58526-30-20	. SWITCH, MAGNETIC .....	1	
4	YF1-58526-30-30	. FRAME, DRIVE END .....	1	
5	YF1-58526-32-40	.. BUSH .....	1	
6	YF1-58526-31-50	. STOPPER .....	1	
7	YF1-58526-30-40	. CLUTCH .....	1	
8	YF1-58526-33-20	. BOLT .....	2	
9	YF1-58526-30-70	. ARMATURE .....	1	
10	YF1-58526-34-10	. WASHER, ADJUST. ....	1	
11	YF1-58526-30-80	. YOKE .....	1	
12	YF1-58526-33-60	.. BRUSH .....	2	
13	YF1-58526-33-80	. HOLDER ASSEMBLY, BRUSH	1	
14	YF1-58526-33-90	.. SPRING, BRUSH .....	3	
15	YF1-58526-33-70	.. BRUSH .....	1	
16	YF1-58526-32-00	. END FRAME ASSEMBLY ....	1	
17	YF1-58526-32-50	.. BUSH .....	1	
18	YF1-58529-33-10	. SCREW, SET .....	1	

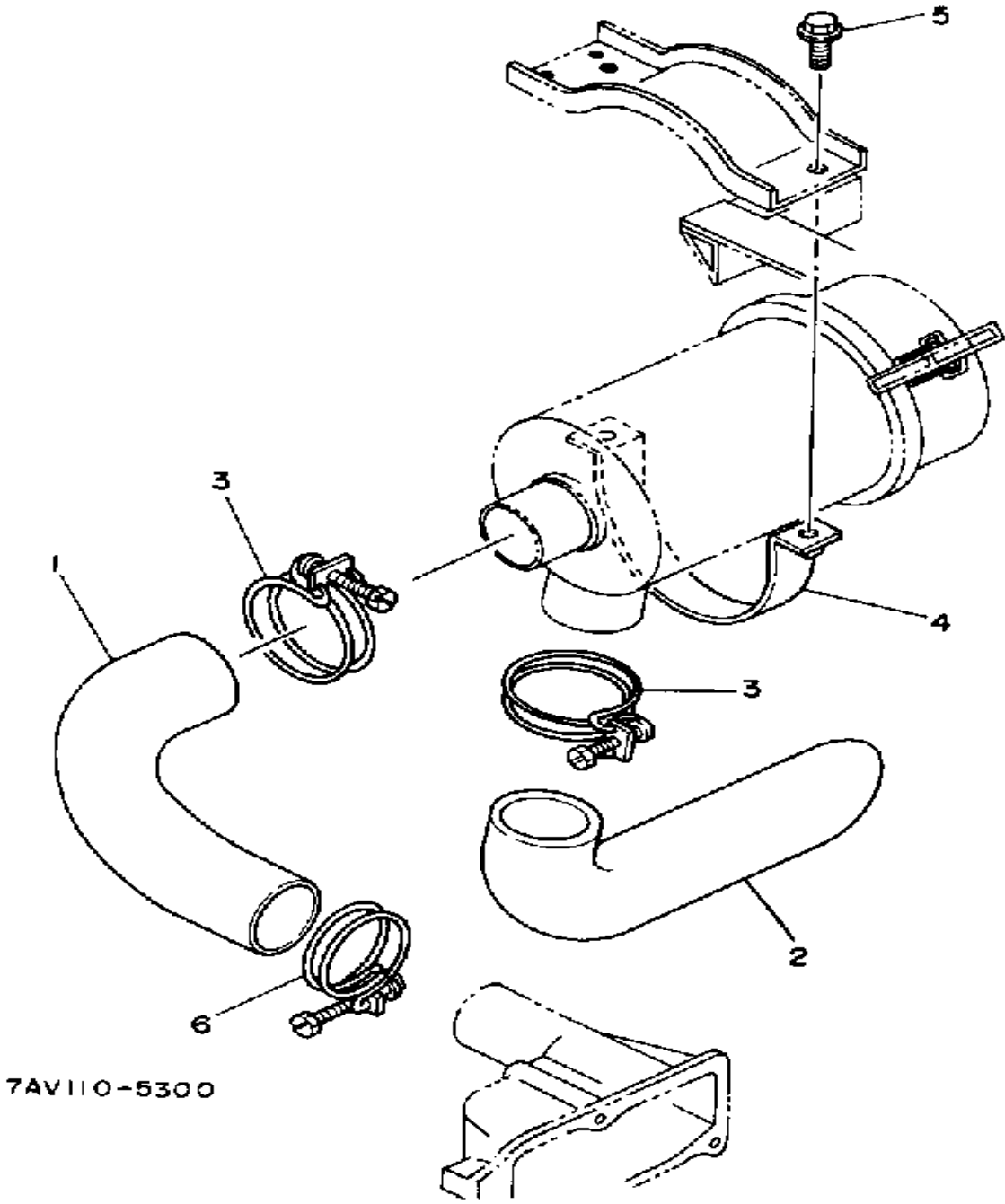
# MOUNTING



Ref. No.	Part Number	Description	Qty	Remarks
1	7AV-11011-00-00	BRACKET, ENGINE 1	1	
2	7AV-11012-00-00	BRACKET, ENGINE 2	1	
3	95811-10020-00	BOLT, FLANGE (95822-10020-00)	8	
4	7AV-15397-00-00	GASKET, O/SL HSN	1	
5	90467-21058-00	CLIP, SCISSOR	2	
6	812-11198-00-00	GASKET	1	
7	97001-12020-00	BOLT	1	
8	(90446-11030-00)	HOSE	1	
9	90467-10008-00	CLIP	1	
10	7AV-21793-00-00	ORNAMENT	1	

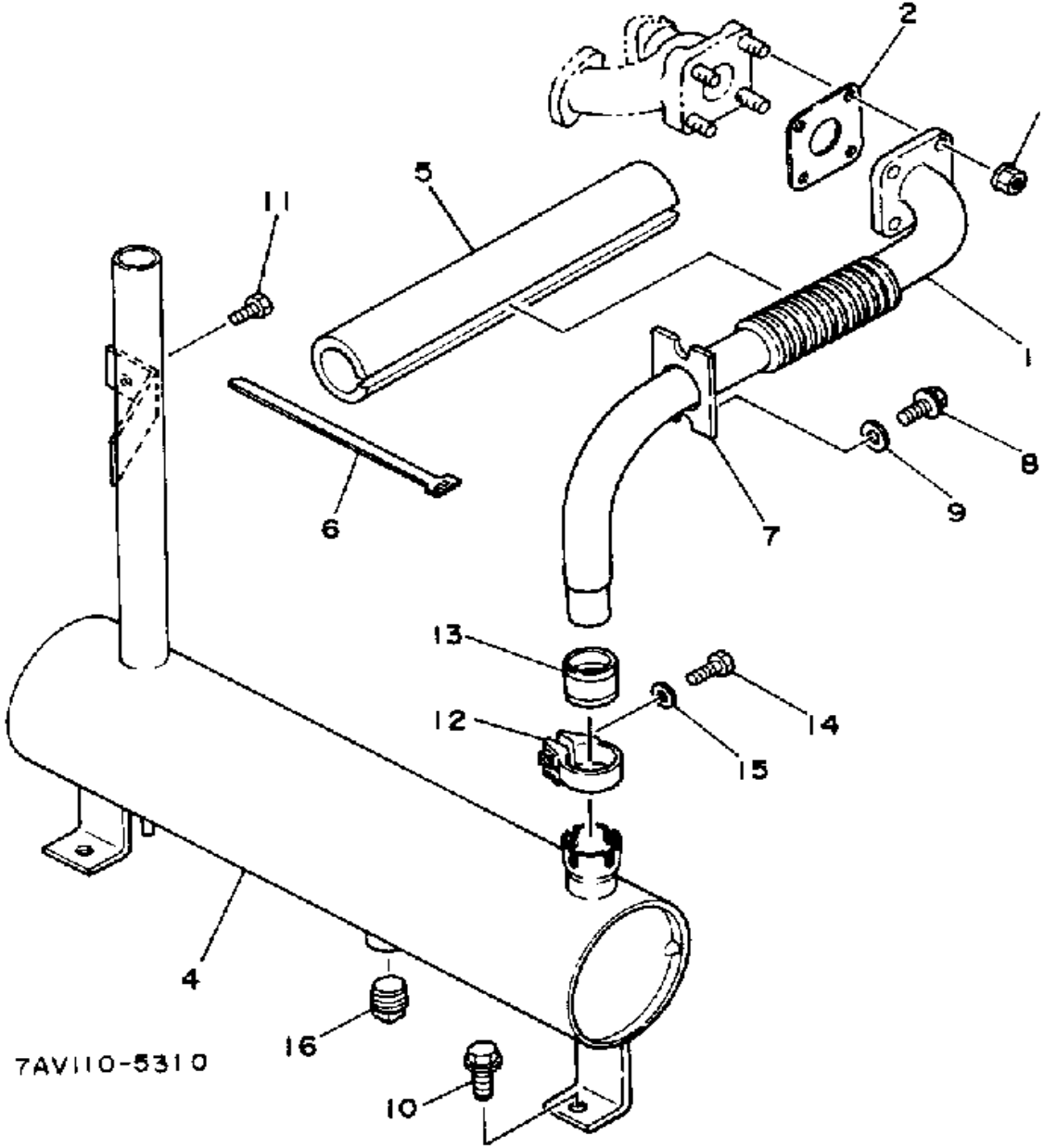
# AIR CLEANER ASSEMBLY

Ref. No.	Part Number	Description	Qty	Remarks
1	7AV-14453-00-00	INACTIVE PART NUMBER	1	
2	7AV-14463-00-00	INACTIVE PART NUMBER	1	
3	90460-58173-00	CLAMP, HOSE	2	
4	7AV-14455-00-00	BAND	1	
5	95811-06016-00	BOLT, FLANGE (95822-06016)	2	
6	90460-53193-00	CLAMP, HOSE	1	



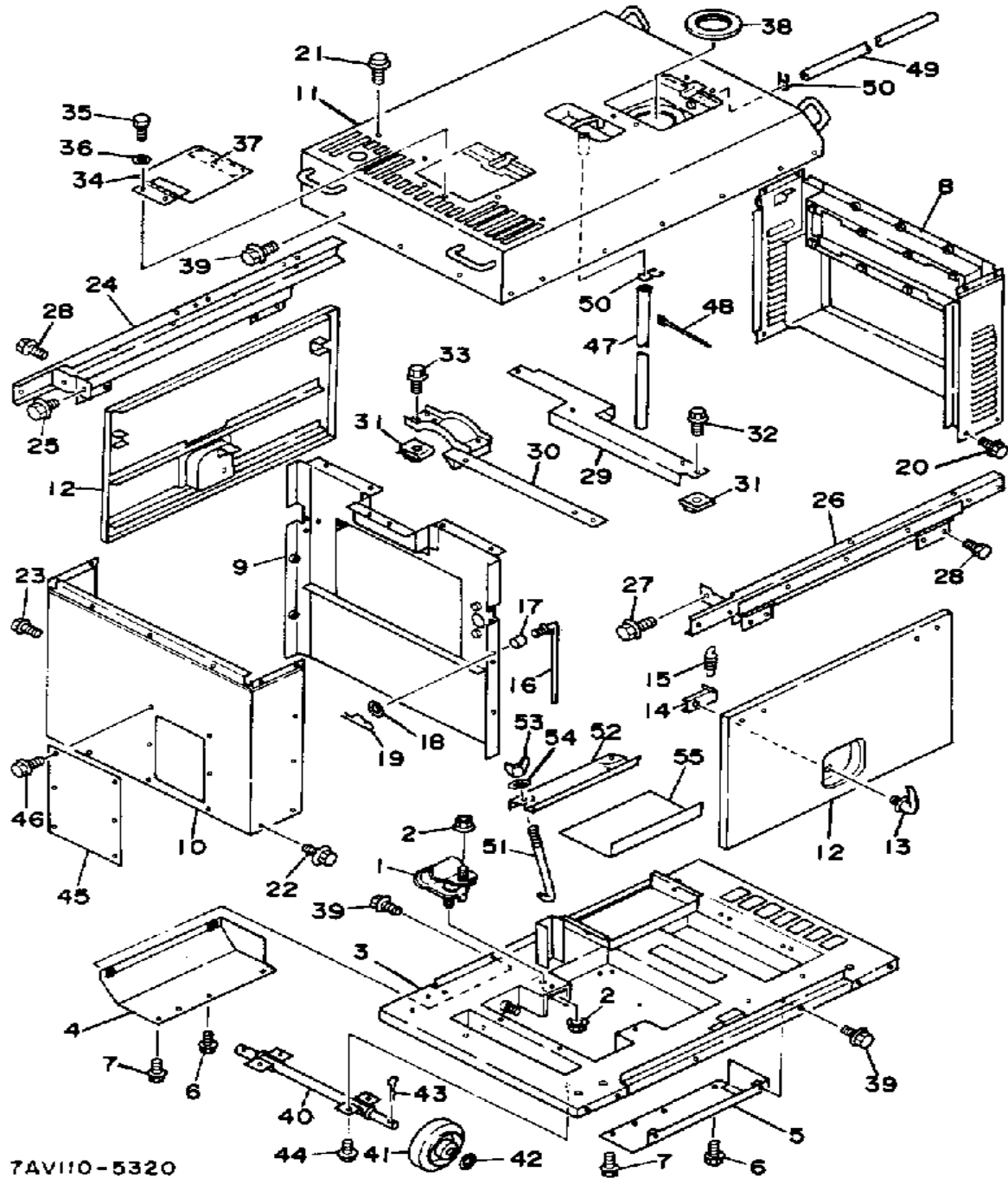


# EXHAUST



Ref. No.	Part Number	Description	Qty	Remarks
1	7AV-14631-00-98	PIPE, EXHAUST 3	1	LOW GLOSS BLK
2	7AV-14643-00-00	GASKET 3	1	
3	95701-08500-00	NUT, FLANGE	4	
4	7AV-14780-00-98	SPARK ARRESTER	1	LOW GLOSS BLK
5	7AV-2289L-00-00	SEAL, 2	1	
6	25G-83936-01-00	BAND, SWITCH CORD	4	
7	7AV-14663-00-00	PLATE, AIR CLEANER	1	
8	90109-06513-00	BOLT	2	
9	90201-06M02-00	WASHER, PLATE	2	
10	95811-08016-00	BOLT, FLANGE	2	
11	90109-06513-00	BOLT	1	
12	7AV-14788-00-00	BAND, SILENCER	1	
13	1JK-14714-00-00	GASKET, MUFFLER	1	
14	97001-08025-00	BOLT (1NV)	1	
15	92901-08600-00	WASHER	1	
16	90345-55013-00	PLUG, TAPER BOLT	1	

# FRAME 1

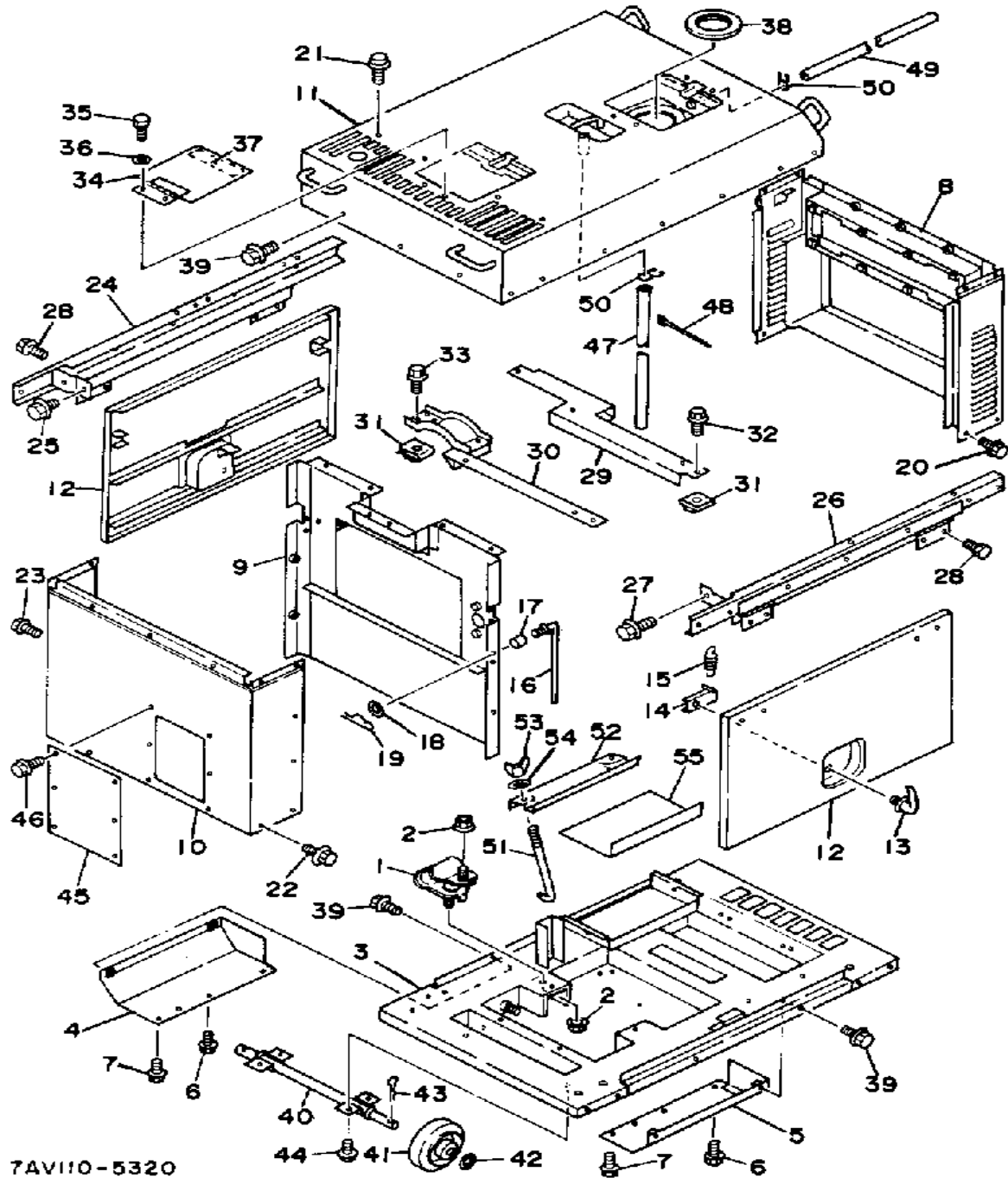


7AV110-5320

Ref. No.	Part Number	Description	Qty	Remarks
1	73A-22891-00-00	INSULATOR, MOUNTING .....	4	
2	95701-10500-00	NUT, FLANGE (95702-10500) ..	8	
3	7AV-22801-00-35	FRAME .....	1	SILVER
4	7AV-2286A-00-00	DUCT, 1 .....	1	
5	7AV-2286E-00-00	DUCT 2 .....	1	
6	90109-06513-00	BOLT .....	4	
7	95811-08016-00	BOLT, FLANGE .....	6	
8	7AV-22865-00-35	COVER, FRONT SLVER .....	1	SILVER
9	7AV-22817-00-35	PANEL, RADIATOR SL .....	1	SILVER
10	7AV-22866-00-35	COVER, REAR SILVER .....	1	SILVER
11	7AV-22862-00-86	COVER, UPPER NA.BLU .....	1	NAIAD BLUE
12	7AV-22864-00-35	COVER, SIDE 1 .....	2	SILVER
13	7AV-22837-00-00	GRIP .....	2	
14	7AV-2284A-00-00	PLATE, 1 .....	2	
15	90506-10376-00	SPRING, TENSION .....	2	
16	7AV-2285A-00-00	ROD 1 .....	2	
17	90380-08149-00	BUSH, SOLID .....	2	
18	92901-08600-00	WASHER .....	2	
19	90468-18008-00	CLIP .....	2	
20	90109-06513-00	BOLT .....	7	
21	90109-06513-00	BOLT .....	4	
22	90109-06513-00	BOLT .....	7	
23	90109-06513-00	BOLT .....	4	
24	7AV-22811-00-00	FRAME 1 .....	1	
25	90109-06513-00	BOLT .....	2	
26	7AV-22812-00-00	FRAME 2 .....	1	
27	90109-06513-00	BOLT .....	2	
28	90109-06513-00	BOLT .....	8	
29	7AV-22831-00-00	STAY 1 .....	1	

CONTINUED ON NEXT FRAME ►

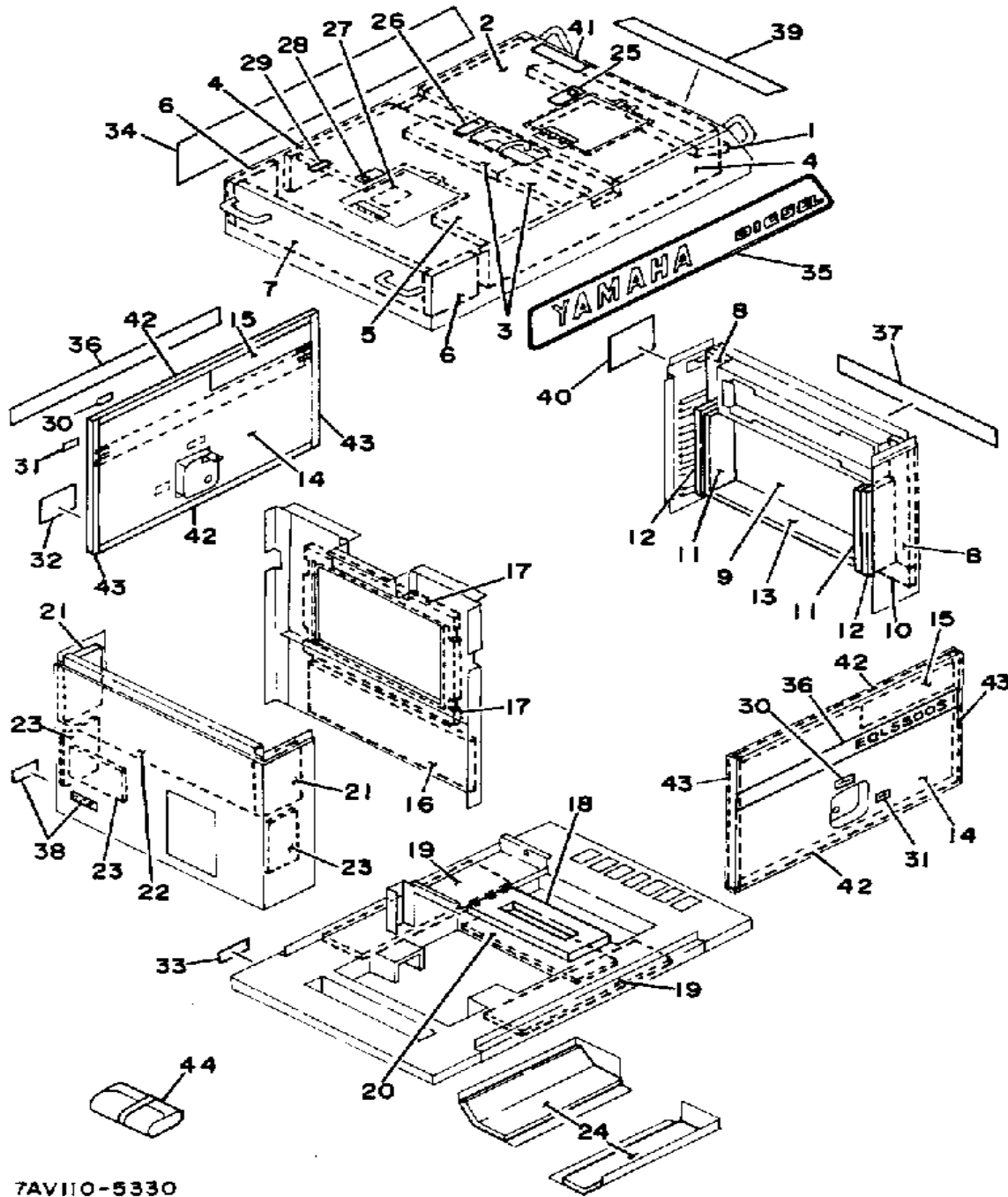
# FRAME 1



7AV110-5320

Ref. No.	Part Number	Description	Qty	Remarks
30	7AV-22832-00-00	STAY 2	1	
31	7U6-28332-00-00	STAY, LEG SHIELD	5	
32	90109-06513-00	BOLT	2	
33	90109-06513-00	BOLT	3	
34	7AV-22855-00-86	COVER 2 NAIAD BLUE	2	NAIAD BLUE
35	97313-05012-00	BOLT, HEXAGON	4	
36	92901-05600-00	WASHER, PLATE	4	
37	7AV-2281G-01-00	SEAL, RUBBER 4	2	
38	7AV-2281A-00-00	SEAL, RUBBER 1	1	
39	90109-06513-00	BOLT	24	
40	7AV-25381-00-00	AXLE, WHEEL	2	
41	7AV-22845-00-00	CASTER 1	4	
42	92901-20600-00	WASHER, WAVE	4	
43	91401-40040-00	PIN, COTTER	4	
44	95811-08016-00	BOLT, FLANGE	8	
45	7AV-22857-00-35	COVER 4 SILVER	1	SILVER
46	90109-06513-00	BOLT	4	
47	90446-15237-00	HOSE	1	
48	90465-13169-00	CALMP	1	
49	90446-15237-00	HOSE	1	
50	90467-14015-00	CLIP	2	
51	7AV-82133-00-00	SCREW, FITTING	2	
52	7AV-82136-00-00	PLATE, BATT FITTING	1	
53	90175-06008-00	NUT, WING	2	
54	90201-061A5-00	WASHER, PLATE	2	
55	73A-82121-10-00	PAD, BATTERY	1	

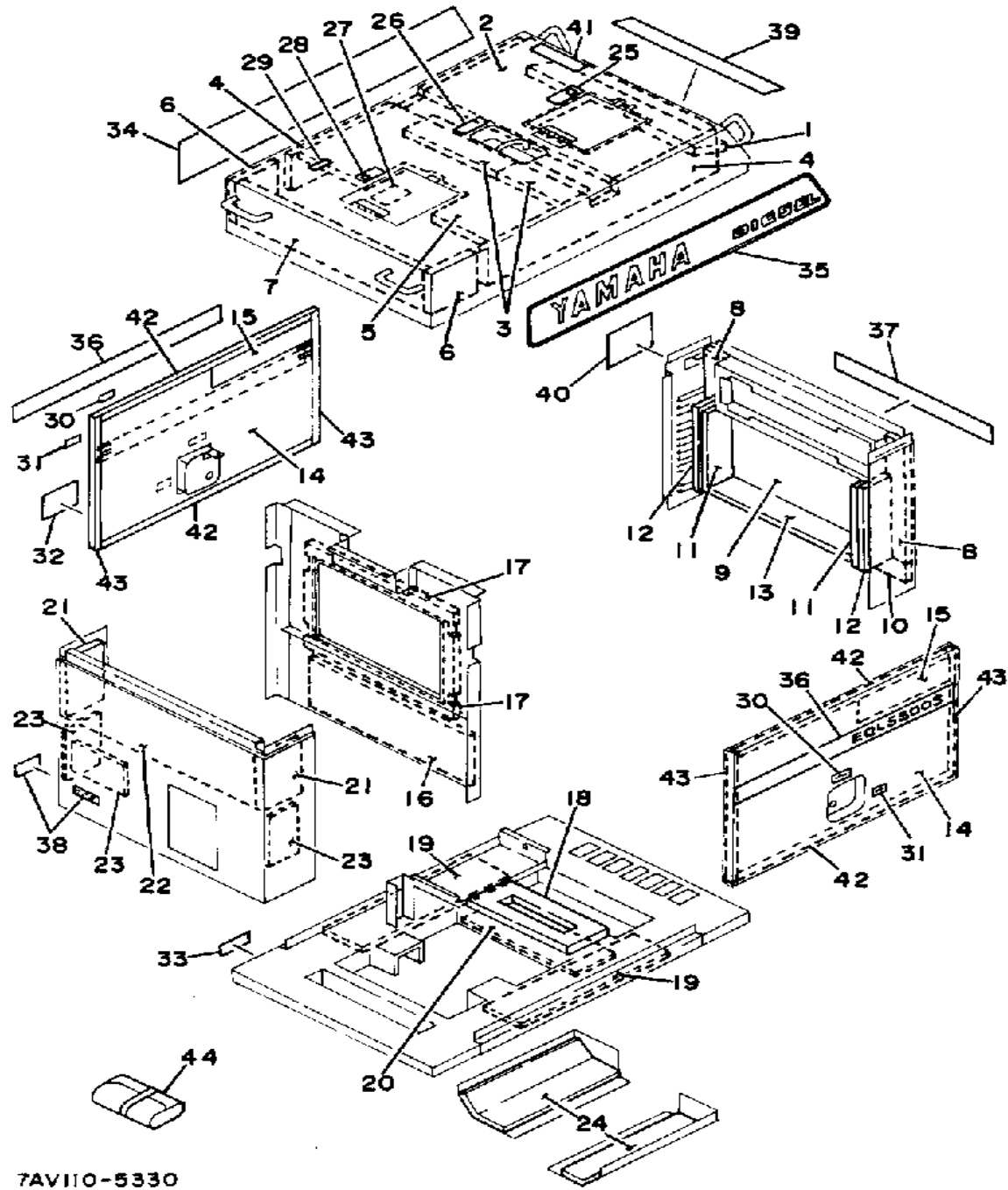
# FRAME 2



Ref. No.	Part Number	Description	Qty	Remarks
1	7AV-22873-00-00	SEAL 1	1	
2	7AV-22874-00-00	SEAL 2	1	
3	7AV-22875-00-00	SEAL 3	2	
4	7AV-22876-00-00	SEAL 4	2	
5	7AV-22877-00-00	SEAL 5	1	
6	7AV-22878-00-00	SEAL 6	2	
7	7AV-22879-00-00	SEAL 7	1	
8	7AV-22886-00-00	SEAL 9	2	
9	7AV-22887-00-00	SEAL, 0	1	
10	7AV-22888-00-00	SEAL, 1	1	
11	7AV-22889-00-00	SEAL, 2	2	
12	7AV-2289M-00-00	SEAL, 3	2	
13	7AV-22896-00-00	SEAL, 3	1	
14	7AV-22897-00-00	SEAL, 4	2	
15	7AV-22899-00-00	SEAL, 5	2	
16	7AV-2289A-00-00	SEAL, 6	1	
17	7AV-2289F-00-00	SEAL, 7	2	
18	7AV-2289G-00-00	SEAL, 8	1	
19	7AV-2289N-00-00	SEAL, 4	2	
20	7AV-2289R-00-00	SEAL, 5	1	
21	7AV-2289H-00-00	SEAL, 9	2	
22	7AV-2289J-00-00	SEAL, 0	1	
23	7AV-2289K-00-00	SEAL, 1	3	
24	7AV-2289T-00-00	SEAL, 6	2	
25	7MP-21788-00-00	GRAPHIC	1	
26	7AV-52693-00-00	INDICATOR 1	1	
27	7AV-2415A-00-00	LABEL, CAUTION	1	
28	7EE-2415A-00-00	LABEL, CAUTION	1	
29	7Y0-2415A-10-00	LABEL, CAUTION (HOT EXHAUST)	1	

CONTINUED ON NEXT FRAME ➤

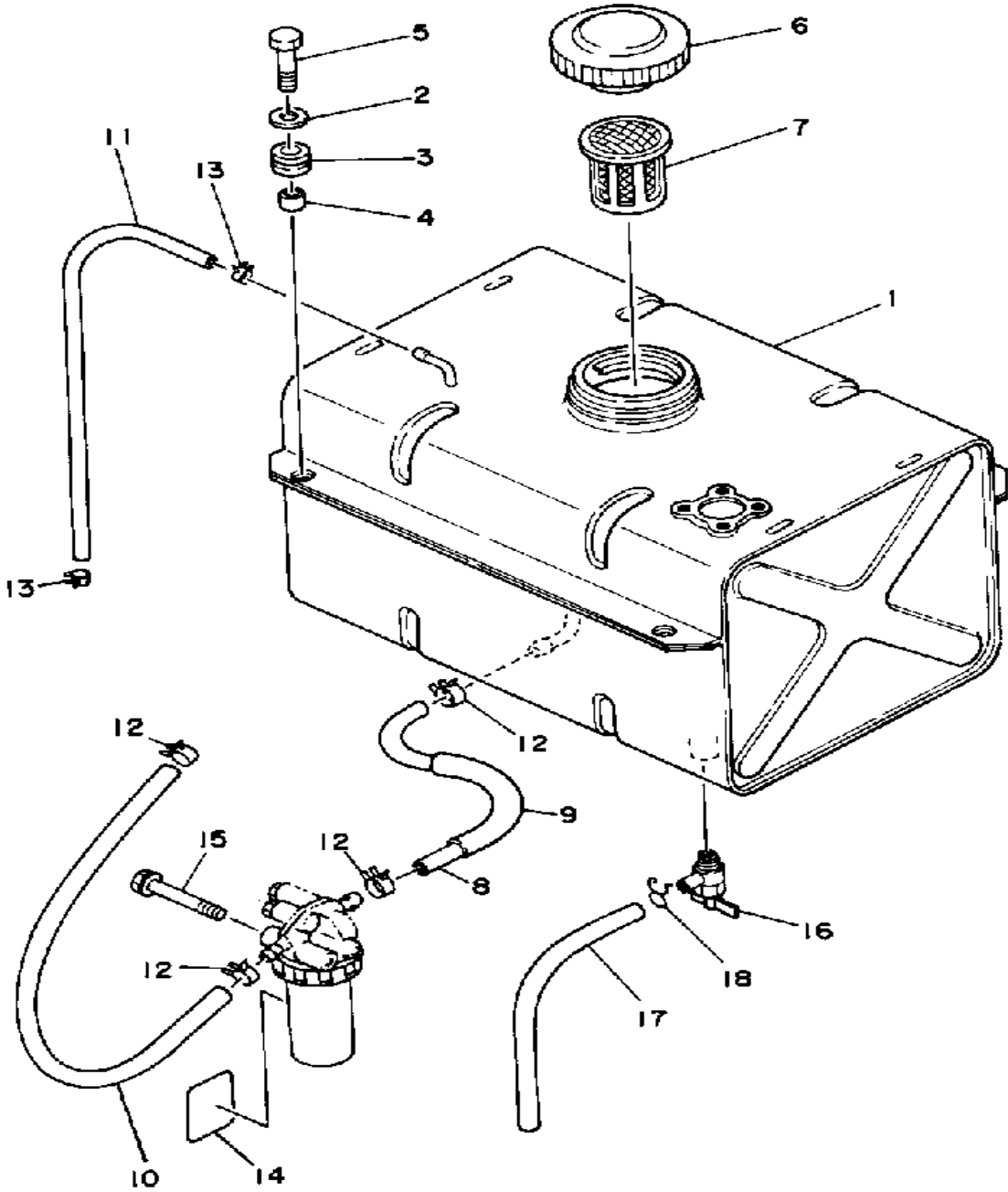
# FRAME 2



7AV110-5330

Ref. No.	Part Number	Description	Qty	Remarks
30	7AV-52694-00-00	INDICATOR 2	2	
31	7AV-52695-00-00	INDICATOR 3	2	
32	7AV-52698-00-00	INDICATOR 6	1	
33	7AV-52696-00-00	INDICATOR 4	1	
34	7AV-52682-10-00	EMBLEM 2	1	
35	7AV-52683-10-00	EMBLEM 3	1	
36	7AV-24164-10-00	EMBLEM 4	2	
37	7AV-51581-10-00	EMBLEM 1	1	
38	7AV-28176-00-00	LABEL, CAUTION	2	
39	7AV-24156-00-00	INDCTR, STARTER LVR	1	
40	7AV-14427-00-00	LABEL, INSTRUCTION	1	
41	73T-24162-10-00	EMBLEM 2	1	
42	7AV-2281E-00-00	SEAL, RUBBER 2	4	
43	7AV-2281F-00-00	SEAL, RUBBER 3	4	
44	73T-W2810-00-00	TOOL KIT	1	

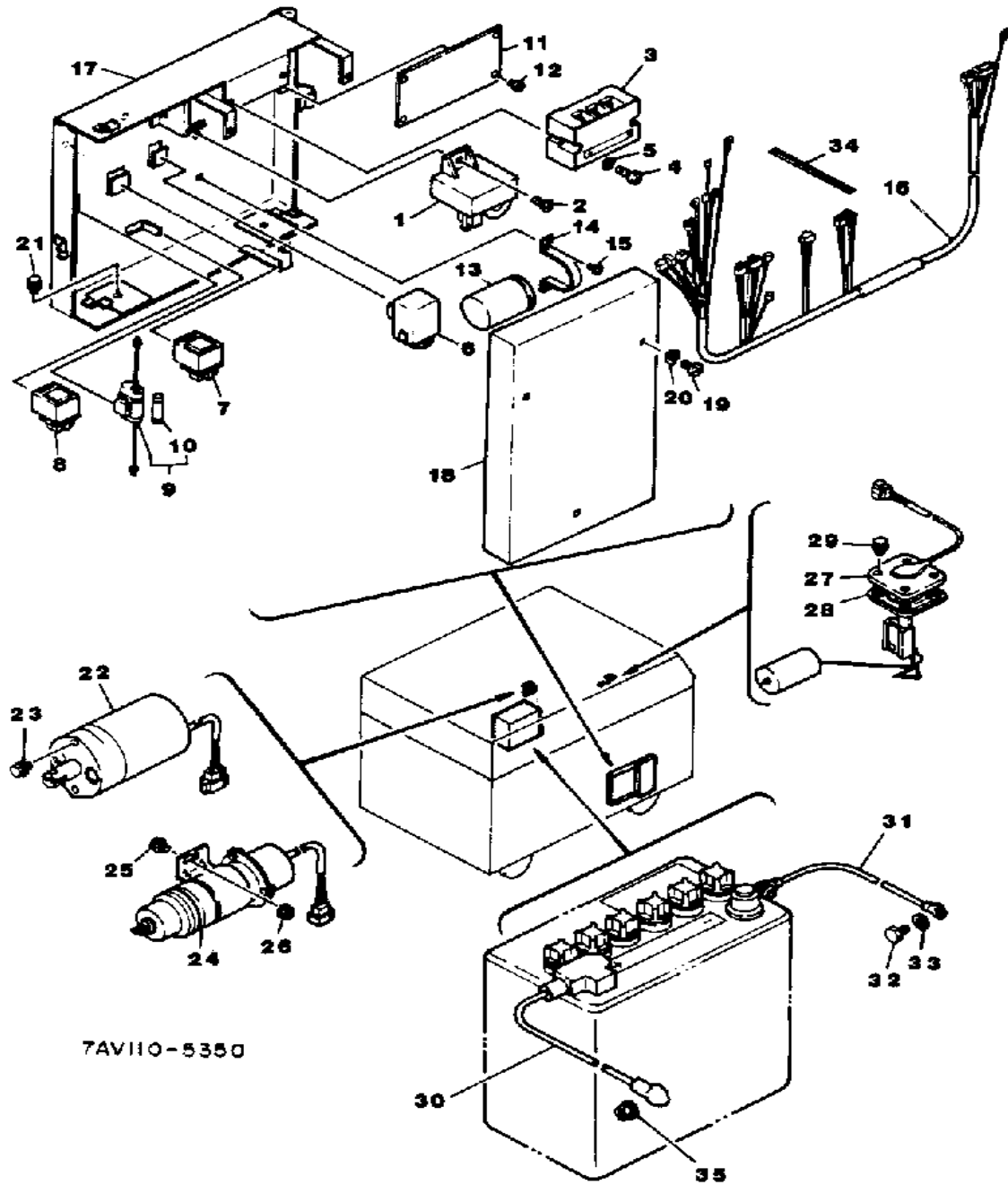
# FUEL TANK



Ref. No.	Part Number	Description	Qty	Remarks
1	7AV-24110-00-35	FUEL TANK .....	1	SILVER
2	90201-06067-00	WASHER, PLATE .....	4	
3	90480-12475-00	GROMMET .....	4	
4	90387-08747-00	COLLAR .....	4	
5	97011-06020-00	BOLT .....	4	
6	7V5-24610-01-00	CAP ASSEMBLY .....	1	
7	630-24167-00-00	STRAINER .....	1	
8	90445-130E3-00	HOSE .....	1	
9	90446-15104-00	HOSE .....	1	
10	90445-130E4-00	HOSE .....	1	
11	90445-090E5-00	HOSE .....	1	
12	90467-13083-00	CLIP .....	4	
13	90467-08070-00	CLIP, SCISSOR .....	2	
14	73T-14427-00-00	LABEL, INSTRUCTION .....	1	
15	95811-08060-00	BOLT, FLANGE .....	1	
16	7AV-24590-00-00	DRAIN COCK ASSEMBLY .....	1	
17	(90446-11222-00)	HOSE .....	1	
18	90467-10008-00	CLIP .....	1	

7AV110-5340

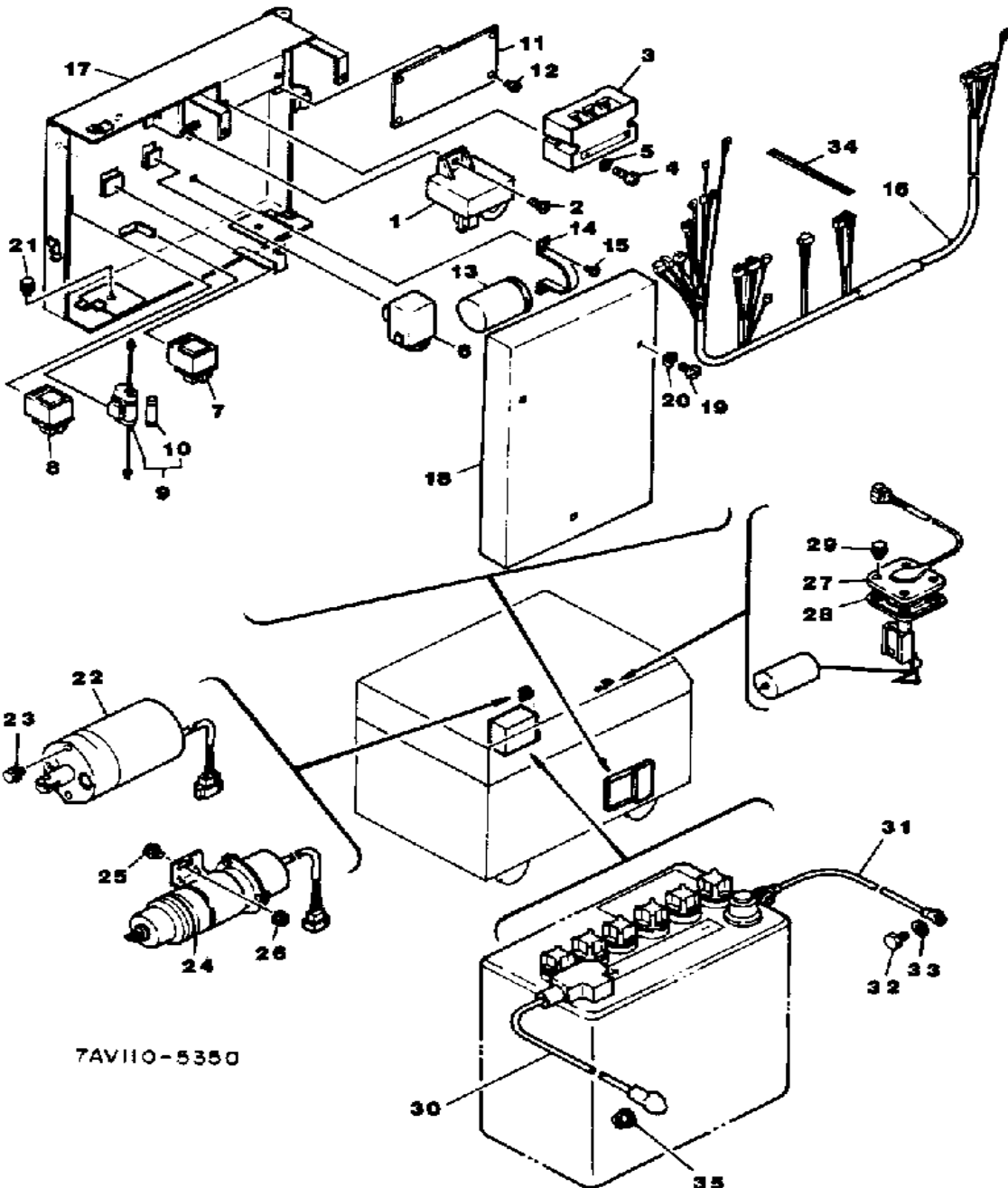
# ELECTRICAL



Ref. No.	Part Number	Description	Qty	Remarks
1	7AV-87286-00-00	SLOW DOWN UNIT ASSEMBLY	1	
2	98580-06012-00	SCREW, PAN HEAD	1	
3	78J-87220-50-00	TERMINAL ASSEMBLY	1	
4	98580-05020-00	SCREW, PAN HEAD	2	
5	92901-05600-00	WASHER, PLATE	2	
6	7AV-81950-00-00	RELAY ASSEMBLY	1	
7	4U8-81950-02-00	RELAY ASSEMBLY. (4U8-81950-00)	1	
8	4U8-81950-02-00	RELAY ASSEMBLY. (4U8-81950-00)	1	
9	2UJ-82150-01-00	FUSE HOLDER ASSEMBLY (2UJ-82150-00-00)	1	
10	1A0-82161-00-00	. FUSE (20A) (148-82151-00-00)	2	
11	73A-8722A-01-00	VOLT.REGULATOR ASSEMBLY	1	
12	98580-04008-00	SCREW, PAN HEAD	1	
13	78R-87107-00-00	CONDENSER ASSEMBLY	1	
14	7ET-87216-00-00	UNAVAILABLE IN PRICE BOOK	1	
15	98580-04008-00	SCREW, PAN HEAD	2	
16	7AV-82590-00-00	WIRE HARNESS ASSEMBLY	1	
17	7AV-2284K-10-00	PLATE 7	1	
18	7AV-87213-00-00	COVER, CONTROL BOX	1	
19	98580-05010-00	SCREW, PAN HEAD	3	
20	92990-05100-00	WASHER, SPRING	3	
21	90109-06513-00	BOLT	2	
22	7AV-86110-A0-00	SOLENOID	1	
23	95811-06012-00	BOLT, FLANGE	2	
24	7AV-86110-00-00	SOLENOID	1	
25	95811-06012-00	BOLT, FLANGE	2	
26	95701-06500-00	NUT, FLANGE	2	
27	7AV-85752-00-00	SNDR UT ASSEMBLY, F/MTR	1	

CONTINUED ON NEXT FRAME ►

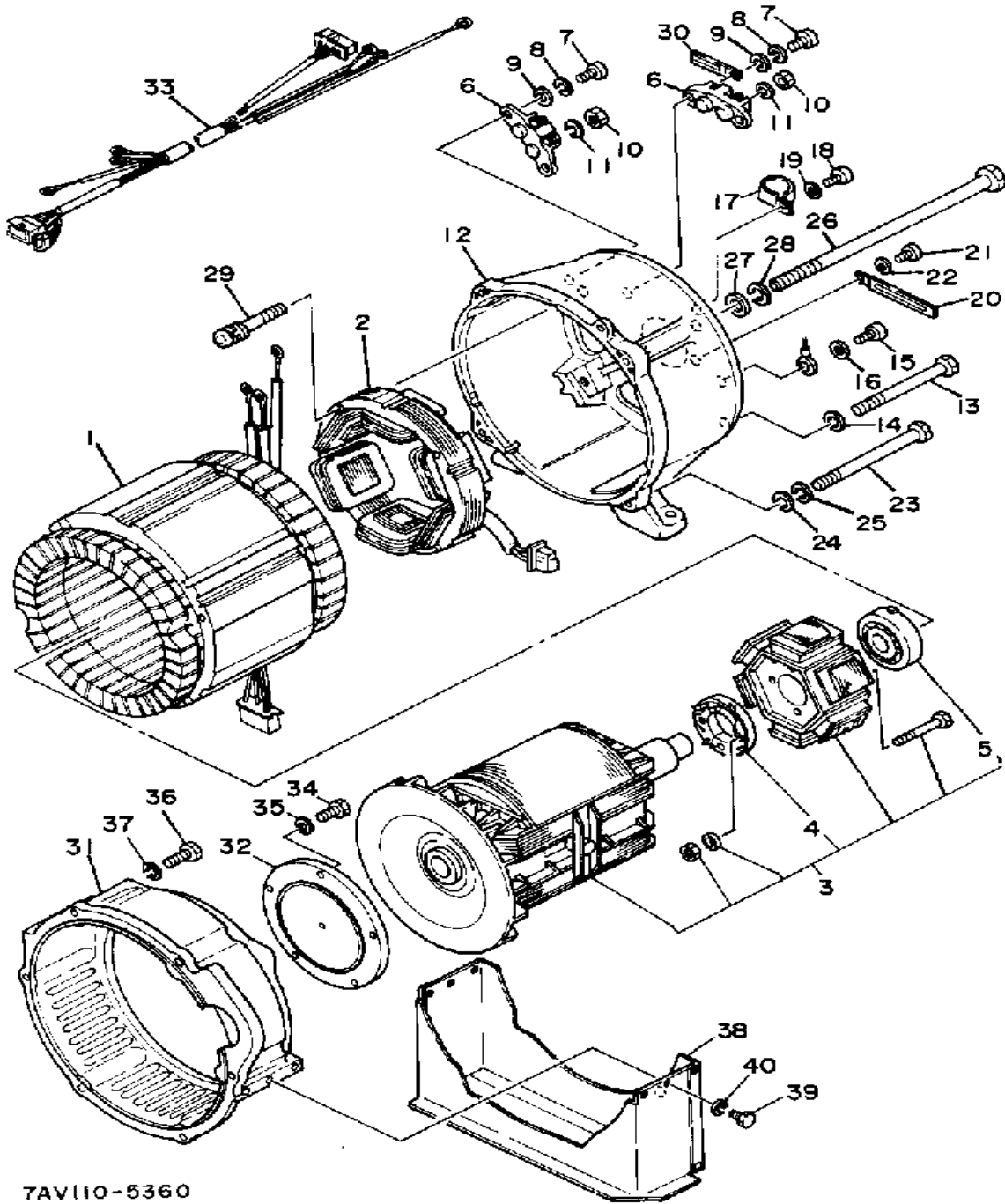
# ELECTRICAL



Ref. No.	Part Number	Description	Qty	Remarks
28	5G3-85753-00-00	GASKET, SENDER UNIT	1	
29	90119-05071-00	BOLT, WITH WASHER	4	
30	7AV-82115-00-00	WIRE, PLUS LEAD	1	
31	7AV-82116-00-00	WIRE, MINUS LEAD	1	
32	97011-06010-00	BOLT	1	
33	90201-061A5-00	WASHER, PLATE	1	
34	796-81328-00-00	CLAMP	1	
35	95701-08500-00	NUT, FLANGE	1	



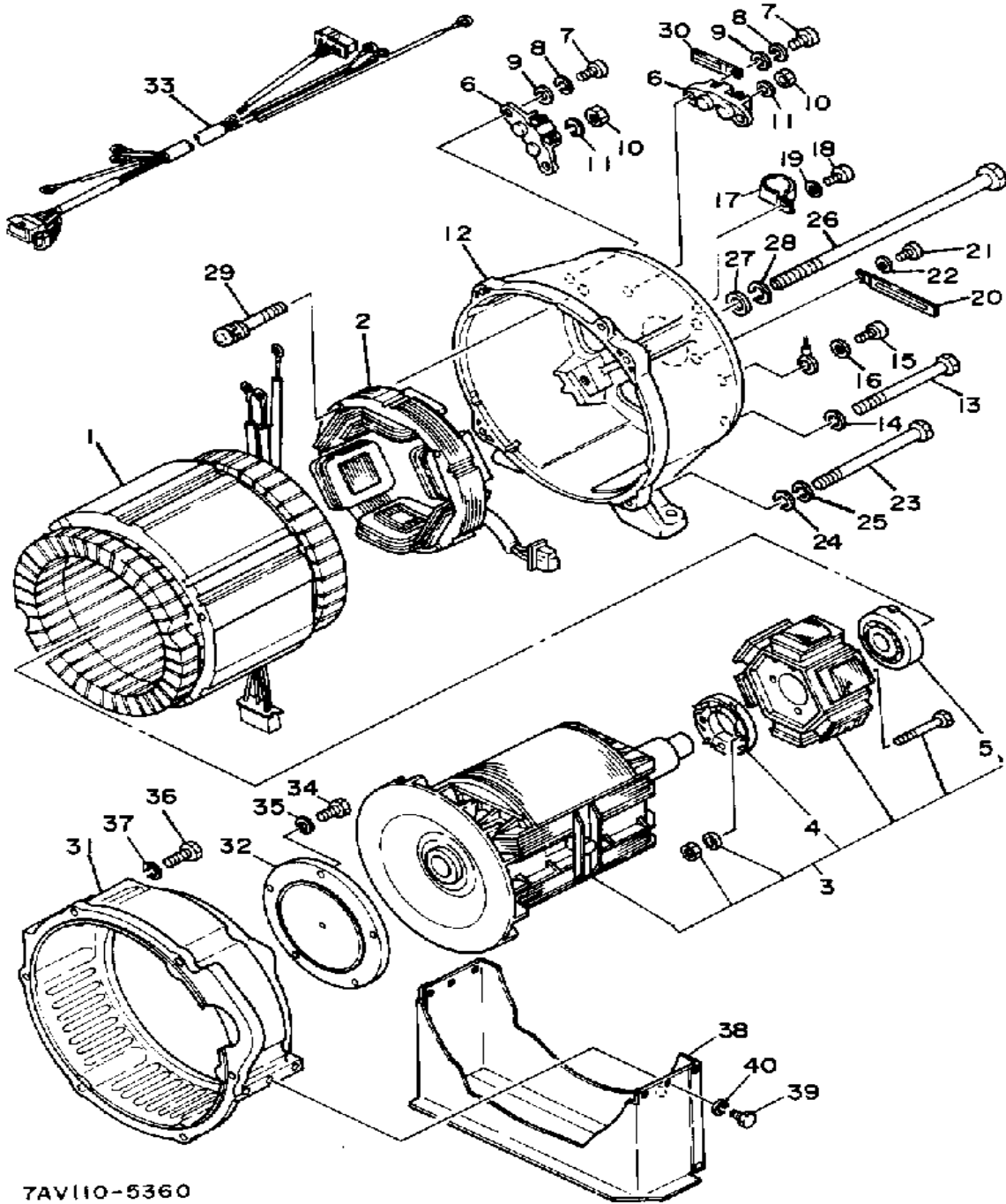
# GENERATOR



Ref. No.	Part Number	Description	Qty	Remarks
1	7AV-87150-20-00	STATOR ASSEMBLY	1	
2	73A-8712A-01-00	STATOR EXITER ASSEMBLY	1	
3	7AV-87160-01-00	ROTOR ASSEMBLY (7AV-87160-00)	1	
4	73A-87109-09-00	ROTOR REPAIR KIT (73A-87115-00)	1	
5	93306-37202-00	BEARING	1	
6	7H9-87220-00-00	TERMINAL ASSEMBLY SUB-ASSEMBLY 1	2	
7	98580-05016-00	SCREW, PAN HEAD	4	
8	92990-05100-00	WASHER, SPRING	4	
9	92901-05600-00	WASHER, PLATE	4	
10	95311-05700-00	NUT	4	
11	92990-05100-00	WASHER, SPRING	4	
12	73A-87131-00-00	FRAME, REAR	1	
13	90101-06335-00	BOLT	2	
14	92990-06600-00	WASHER, PLATE	2	
15	98580-05010-00	SCREW, PAN HEAD	1	
16	92901-05600-00	WASHER, PLATE	1	
17	90465-08146-00	CLAMP	1	
18	98580-05010-00	SCREW, PAN HEAD	1	
19	92901-05600-00	WASHER, PLATE	1	
20	90462-05061-00	CLAMP	1	
21	98580-05010-00	SCREW, PAN HEAD	1	
22	92901-05600-00	WASHER, PLATE	1	
23	97322-06145-00	BOLT, HEXAGON	4	
24	92990-06600-00	WASHER, PLATE	4	
25	92995-06100-00	WASHER, SPRING	4	
26	97022-12295-00	BOLT, HEXAGON	1	
27	92990-12600-00	WASHER, PLATE	1	

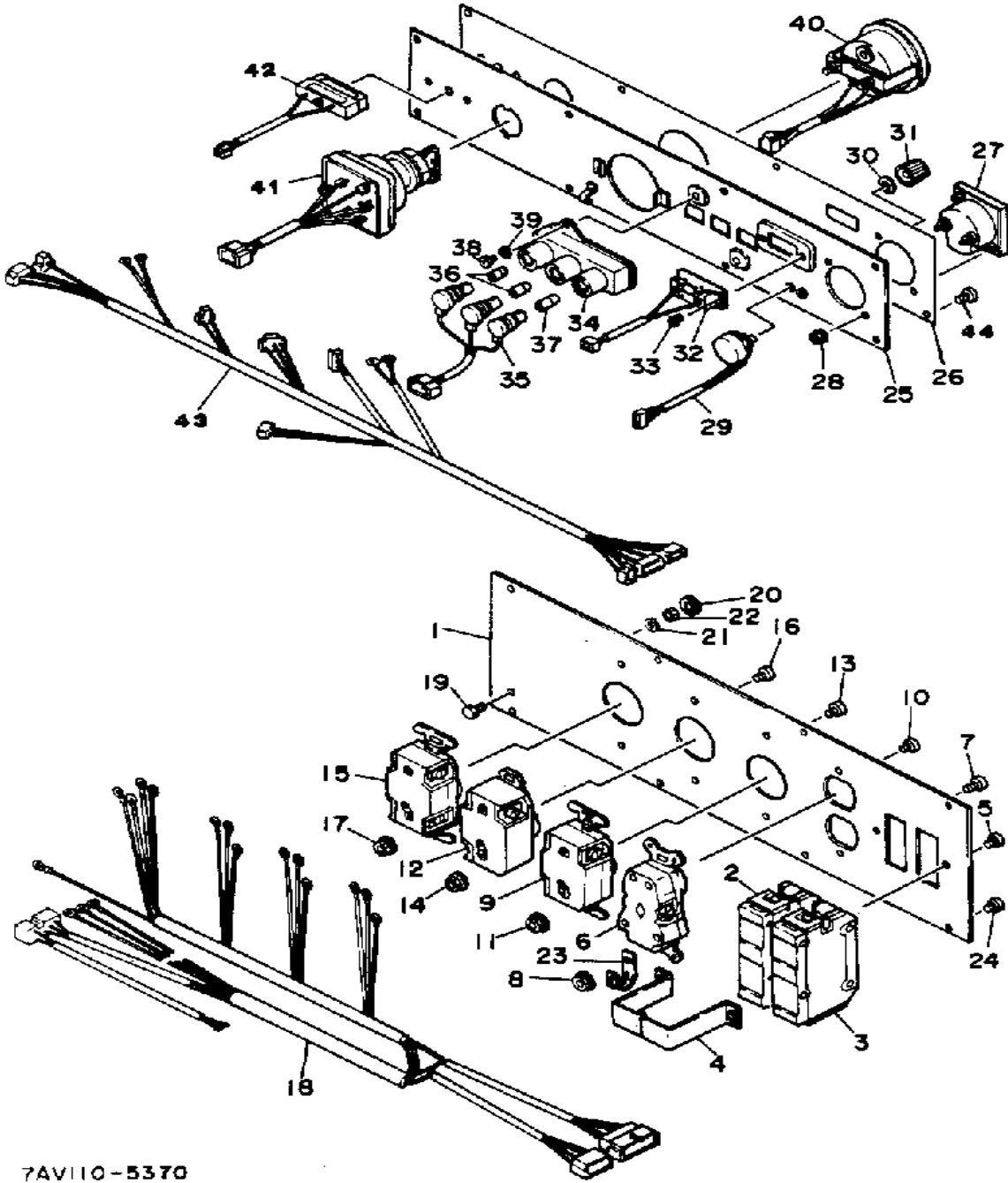
CONTINUED ON NEXT FRAME ►

# GENERATOR



Ref. No.	Part Number	Description	Qty	Remarks
28	92901-12100-00	WASHER, SPRING	1	
29	90159-05091-00	SCREW, WITH WASHER	4	
30	90462-05061-00	CLAMP	1	
31	7AV-87121-00-00	FRAME, FRONT	1	
32	7AV-8716K-00-00	SHAFT	1	
33	7AV-87122-00-00	CORD ASSEMBLY, 1	1	
34	97313-08020-00	BOLT, HEXAGON	5	
35	92990-08100-00	WASHER	5	
36	97013-08025-00	BOLT	6	
37	92990-08100-00	WASHER	6	
38	7AV-8718K-01-00	COVER, FRONT	1	
39	97313-05010-00	BOLT, HEXAGON	6	
40	92990-05100-00	WASHER, SPRING	6	

# CONTROL BOX

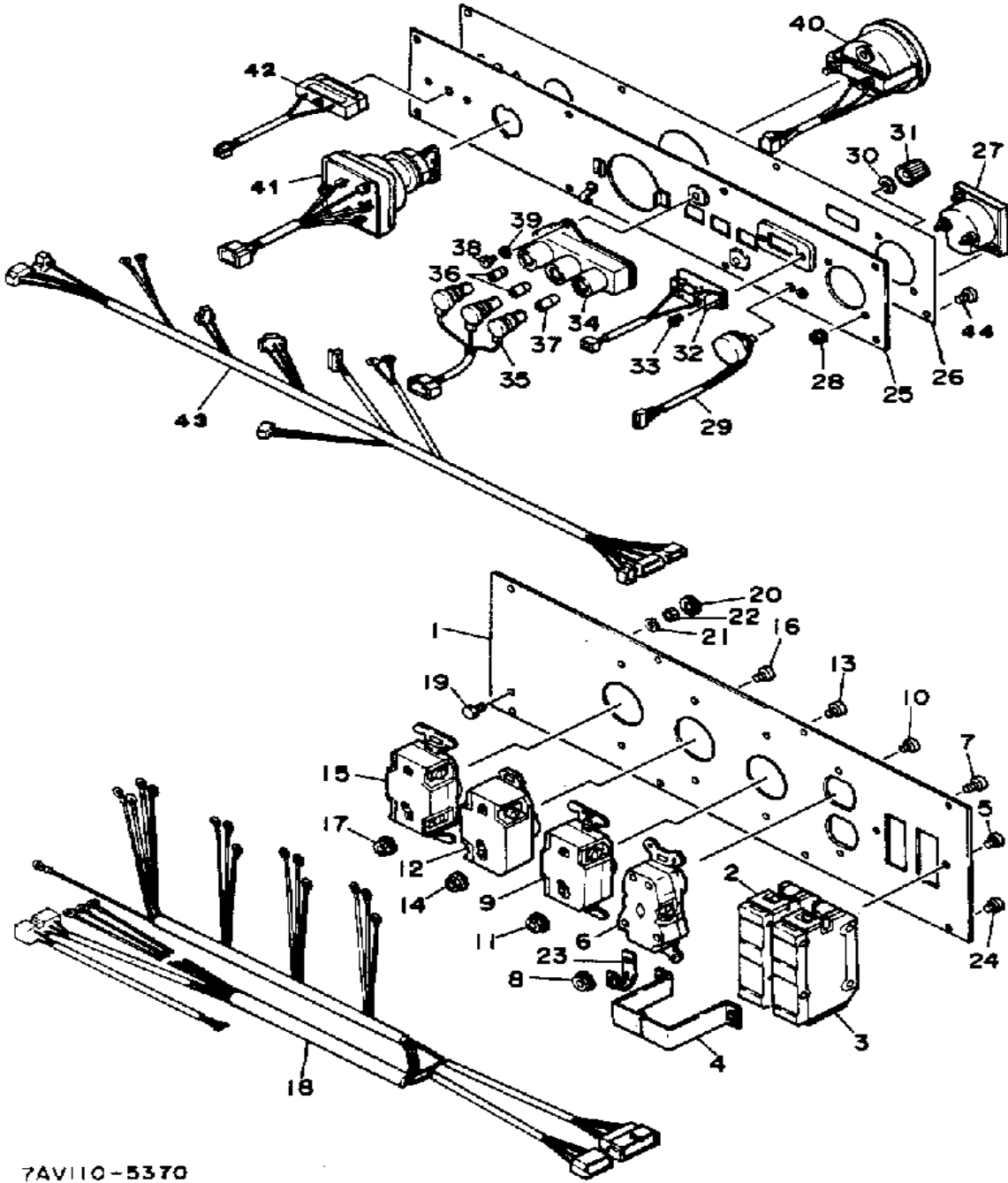


7AV110-5370

Ref. No.	Part Number	Description	Qty	Remarks
1	7AV-87249-71-00	PLATE .....	1	
2	7R1-87204-00-00	BREAKER .....	1	22.4A KM-1G
3	73A-87204-00-00	BREAKER COMP. ....	1	43.0A KM-1G
4	75X-87244-00-00	HOLDER, BREAKER .....	1	
5	98580-04010-00	SCREW, PAN HEAD .....	2	
6	73H-87221-90-00	CONSENT 1 (P&S 5-20R) .....	1	P&S 5-20R
7	98580-04010-00	SCREW, PAN HEAD .....	2	
8	95701-04500-00	NUT, FLANGE .....	2	
9	73H-87221-70-00	CONSENT 1 .....	1	P&S 15-20R
10	98580-04010-00	SCREW, PAN HEAD .....	2	
11	95701-04500-00	NUT, FLANGE .....	2	
12	73H-87222-90-00	CONSENT 2 .....	1	P&S 15-30R
13	98580-04010-00	SCREW, PAN HEAD .....	2	
14	95701-04500-00	NUT, FLANGE .....	2	
15	73H-87222-70-00	RECEPTACLE 2 .....	1	P&A 114-20R
16	98580-04010-00	SCREW, PAN HEAD .....	2	
17	95701-04500-00	NUT, FLANGE .....	2	
18	7AV-87226-70-00	WIRE HARNESS .....	1	
19	90101-05563-00	BOLT .....	1	
20	90170-05309-00	NUT, HEXAGON .....	1	
21	92901-05600-00	WASHER, PLATE .....	1	
22	95380-05600-00	NUT .....	1	
23	90462-05061-00	CLAMP .....	2	
24	98580-04010-00	SCREW, PAN HEAD .....	8	
25	7AV-87211-01-00	BOX, CONTROL .....	1	
26	7AV-87217-00-00	PLATE, CONTROL .....	1	
27	73H-87202-00-00	METER SUB ASSEMBLY .....	1	
28	90179-03478-00	NUT, SPEC'L SHAPE 0 2 .....	2	
29	7AV-87283-00-00	RESISTOR, VARIABLE .....	1	

CONTINUED ON NEXT FRAME ➤

# CONTROL BOX



7AV110-5370

Ref. No.	Part Number	Description	Qty	Remarks
30	92901-08600-00	WASHER	1	
31	73A-87284-00-00	KNOB, VAR.RESISTOR	1	
32	7AV-82567-00-00	SWITCH, THROTTLE	1	
33	98580-03008-00	SCREW, PAN HEAD	2	
34	7AV-8353G-00-00	CASE UPPER	1	
35	7AV-83520-00-00	SOCKET CORD ASSEMBLY	1	
36	7AV-83531-00-00	BULB, PILOT	2	
37	705-84347-00-00	BULB, PILOT LAMP	1	
38	98580-04008-00	SCREW, PAN HEAD	2	
39	92901-04600-00	WASHER, PLATE	2	
40	7AV-85751-00-00	FUEL GAUGE	1	
41	7AV-82510-00-00	MAIN SWITCH ASSEMBLY	1	
42	7AV-83504-00-00	HOUR METER	1	
43	7AV-87226-A0-00	WIRE HARNESS	1	
44	98580-04010-00	SCREW, PAN HEAD	8	