

PARTS CATALOGUE

GENERATOR

EDL6500S (7NF1) (7NFA)

Serial No..	EDL6500S EDL6500S	7NF-910191 7NF-960001	and following and following
COLOR CODE	COLOR NAME	ABBREVI- ATION	
ONJ	FARAWAY BLUE	FWB	

OWNERS **LIT-19626-00-64**
SERVICE **LIT-19616-00-54**

FOREWORD

-INTRODUCTION- To The Yamaha Parts Fiche

This parts fiche lists parts and sub-assemblies for the EDL6500S. When preparing a parts order, please refer to the most recently updated microfiche for this model.

THE YAMAHA PARTS FICHE

SYMBOLS

[]	Inactive, no longer available
U.R.	Use size (thickness) and/or number as required
U.N.	Use as many as you need
T	Number of teeth in a gear
V	Voltage for light bulbs
S	"S" type oil seal or "S" type circlip
SD,SO,SW	"SD", "SO", or "SW" type oil seal
E,R	"E" or "R" type circlip
F/No.	Frame No. (Applicable Machine No.)
L.M.	Locally made
O.L.	Obtain locally
AP	Alternate Part

SUPERSEDED PART NUMBERS

If part 'A' has been superseded by part 'B', the superseding part number "B" will appear in the part number listing with the superseded part number "A" appearing in parentheses immediately following the description.

EXAMPLE:

Ref. No.	Part No.	Description	Qty.
8	(Part 'B') 796-15711-05-86	(Part 'A') CASE, STARTER (796-15711-03-86)	1

A part that has been supersede to a kit may be identified by a 99999-00000-00 part number appearing in the part number column. The old superseded part number will appear in parentheses immediately following the description. Listed directly below the 99999 part number will be those parts making up the kit. The description of the parts making up the kit will be preceded by a small black dot (.) and the description will be indented one letter space.

EXAMPLE:

Ref. No.	Part No.	Description	Qty.
8	99999-12345-00	CYLINDER (111-12345-00-00)	1
	234-56789-00-00	• HEAD, CYLINDER	1
	345-67890-00-00	• GASKET, CYLINDER	1

SIZES

Except for steel balls (ball sizes are indicated in inches), all parts sizes are indicated in millimeters as in the following examples:

Hose (Rubber or Vinyl)	Inside Diameter - Length
O-Ring	Section Area - Inside Diameter
Washer, Shim, Collar	Inside Diameter - Outside Diameter Thickness (Length)

ASSEMBLIES AND COMPONENT PARTS

Assemblies and their component parts, are identified by an indentation of one letter space, and the description is preceded by a dot (.). If two main assemblies are listed, and have the same basic description (i.e.: left and right sides of the same assembly), one will immediately follow the other. If each of these main assemblies is made up of almost the same components, these component parts will be listed immediately under the second main assembly line and will be indicated, as noted above.

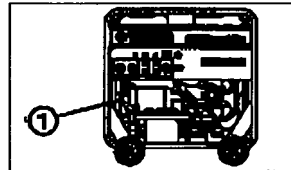
If the component is the same for both main assemblies, the quantity indicated will be the total required. If the component is not the same for both main assemblies, the quantity for each separate item will be listed separately.

EXAMPLE:

Description	Qty
CARBURETOR ASSY, LEFT	1
CARBURETOR ASSY, RIGHT	1
. JET, PILOT	2
. NOZZLE, MAIN	2
. LEVER, STARTER, LEFT	1
. LEVER, STARTER, RIGHT	1

APPLICABLE SERIAL NO.

(1) Serial No.

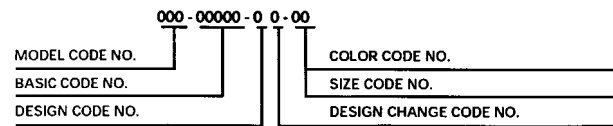


FOREWORD

THE YAMAHA PART NUMBER

The Yamaha part number consists of 12 digits. Each number represents a specific piece of information relating to a replacement part. The following is a guide for reading and interpreting the Yamaha part number.

BASIC PART NUMBER CONFIGURATION:



MODEL CODE NUMBER

FIRST THREE DIGITS . . . 000-00000-00-00

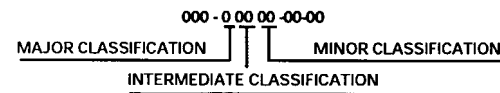
Every model in each Yamaha product line is assigned a model number to identify that particular model. All component parts are given the model code number relating to the model on which they were first used.

Example: 7J0-00000-00-00 identifies the EF2000.
7J4-00000-00-00 identifies the EF2800.

BASIC CODE NUMBER

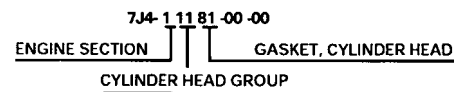
MIDDLE FIVE DIGITS . . . 000-00000-00-00

These "Middle Five Digits" indicate the type of part i.e., piston, rings, lower units, etc. The five digits are broken down as follows:



The "Major Classification" indicates the section to which the parts belong, i.e., engine, electrical etc. The "Intermediate" and "Minor Classifications" indicate more specific details.

Example:



DESIGN CODE NUMBER: 000-00000-00-00

The design code distinguishes like component parts from one another when specification differences are involved. For example, distinguishing a standard size piston ring from an oversized piston ring.

Example:

7J4-11610- 0 0-00 Standard Piston Ring Set for EF2800
7J4-11610- 2 0-00 Oversize Piston Ring Set for EF2800

DESIGN CHANGE CODE NUMBER: 000-00000-00-00

This code number is used to identify a difference between a new component part and old one when a new part is created by changing the old one.

Example: EF2800

7J4-11610-0 0-00 PISTON RING SET, STD. - ORIGINAL
7J4-11610-1 0-00 PISTON RING SET, STD. - FIRST DESIGN CHANGE

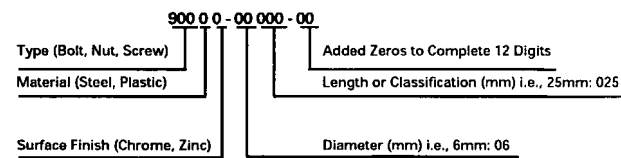
Only major changes to performance, durability, quality, appearance, cost or interchangeability will affect a part number change.

COLOR CODE & SIZE CODE NUMBER: 000-00000-00-00

When applicable, the last two digits of the part number identify:

1. Color Code: The painted color or type of plating or surface treatment used on certain parts.
2. Size Code: The last two digits are also used to show the size of parts (mm). Such as the thickness of shims or the size of pistons.

HARDWARE (Fastener) PART NUMBER CONFIGURATION:



TYPE:

A fastener part number always begins with the number "9" followed by either a 0, 1, 2, 3, 4, 5, 6, 7 or 8 designating one of eight major divisions within this group.

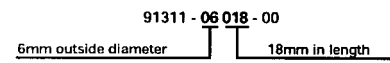
FOREWORD

Example:

- 9 0 000-00000-00 "0" designates various types.
- 9 1 000-00000-00 "1" designates bolts, cotter pins, etc.
- 9 2 000-00000-00 "2" designates screw, nuts, etc.
- 9 3 000-00000-00 "3" designates oil seals, o-rings, bearings, etc.
- 9 4 000-00000-00 "4" designates spark plugs.
- 9 5 000-00000-00 "5" designates bolts and nuts.
- 9 7 000-00000-00 "7" designates ISO bolts.
- 9 8 000-00000-00 "8" designates ISO screws and nuts.

The only major divisions which the mechanic should become familiar with are those related to the general hardware (nuts, bolts, and washers), since these are the most commonly used and most often replaced items. By knowing how to interpret the part number, the dimensions of a piece of hardware can be determined. This can be very helpful during major engine repair, and general parts replacement.

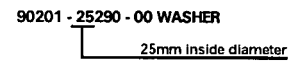
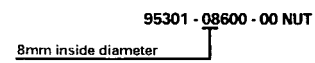
BOLT EXAMPLE:



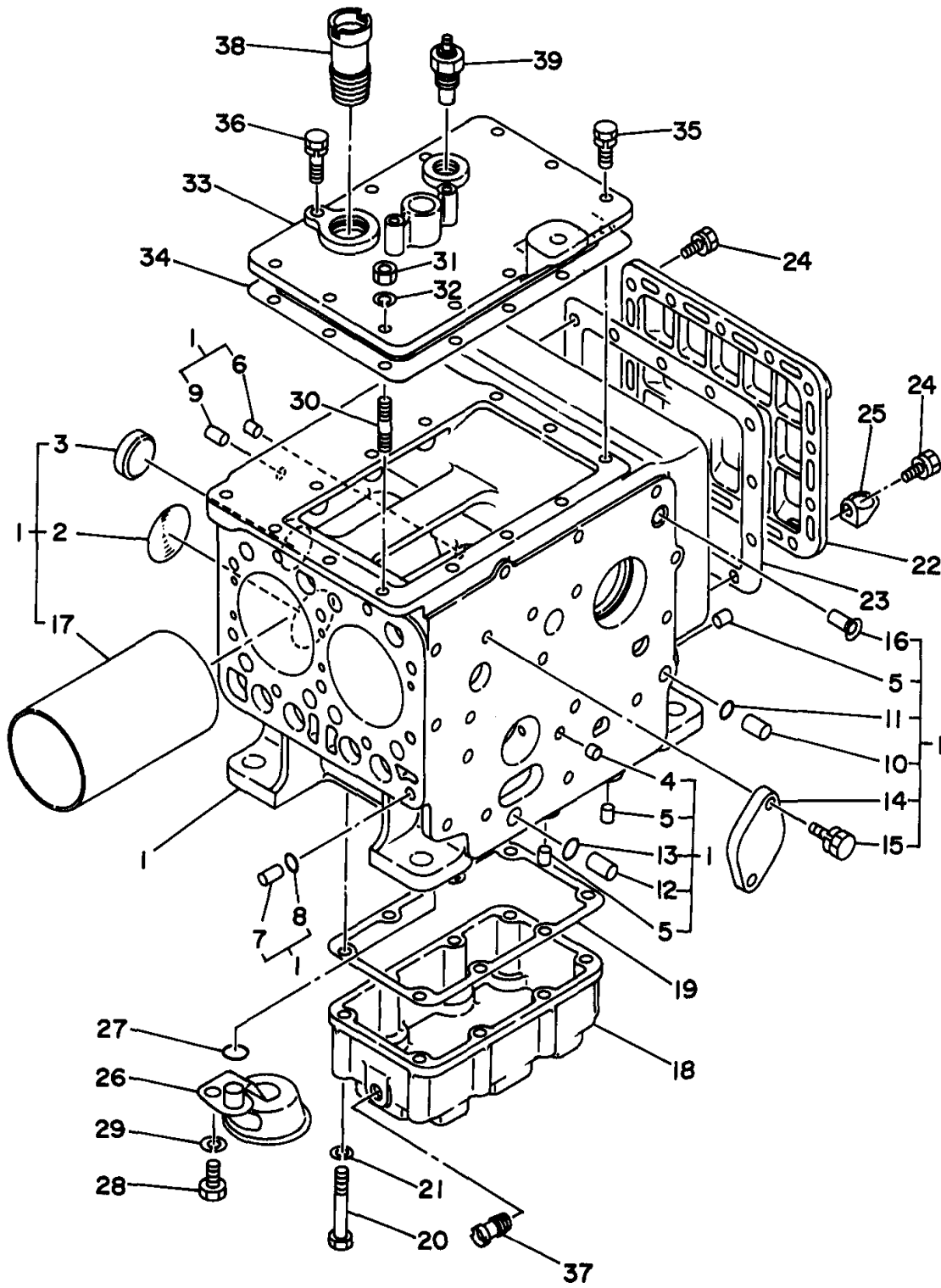
EXCEPTION:

It is NOT possible to identify the LENGTH of bolts having a 901 prefix. Only the bolt diameter can be identified with this number.

NUT AND WASHER EXAMPLE:



CRANKCASE



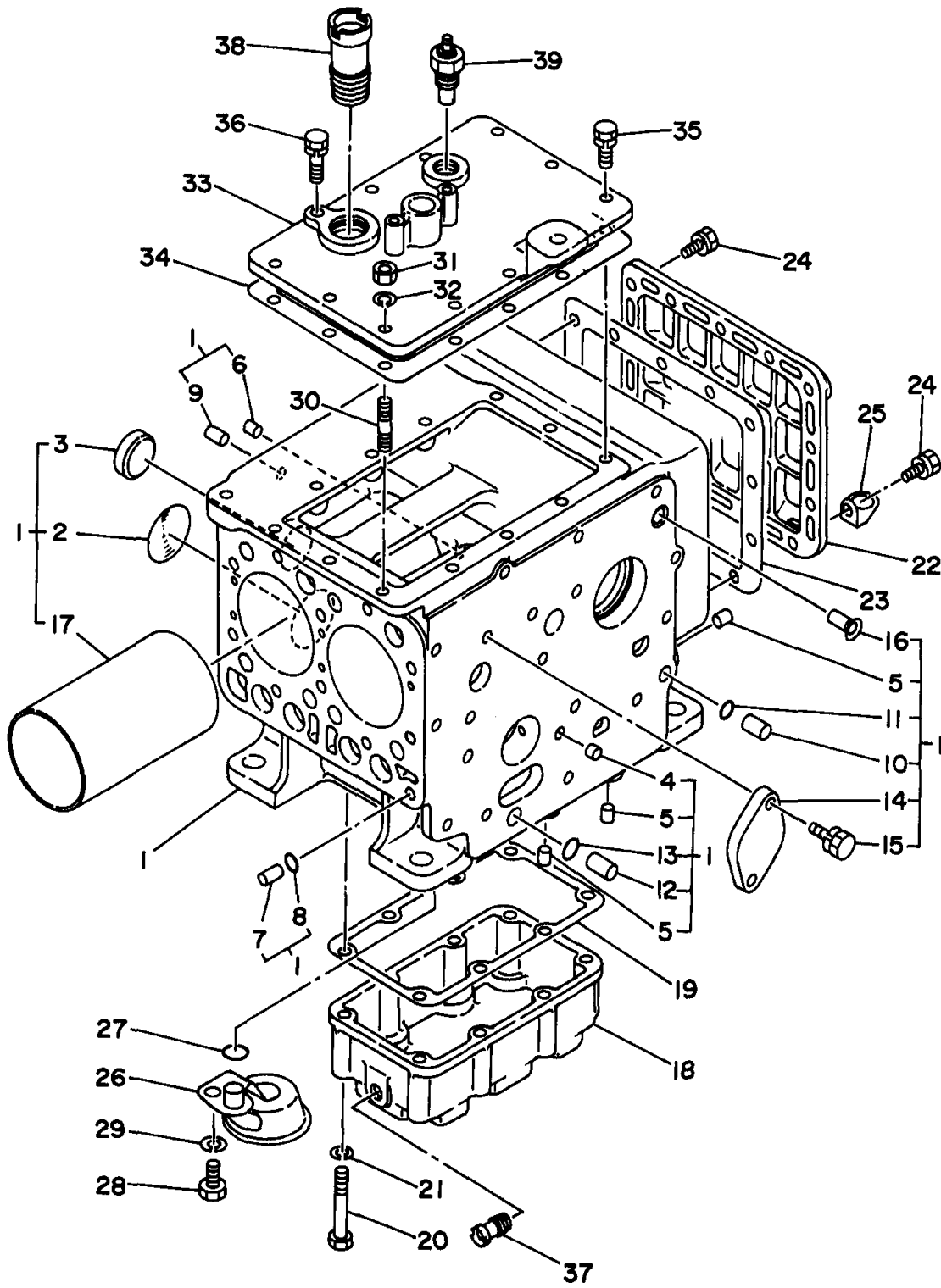
Ref. No.	Part Number	Description	Qty	Remarks
1	YF1-59030-10-10	CRANKCASE CAMP.	1	
2	YF0-63117-50-40	. PLUG	1	
3	YF1-53219-62-60	. CAP, SEALING	1	
4	YF1-59013-36-30	. PLUG, BLIND	1	
5	YF1-52213-36-30	. PLUG, PIN	5	
6	YF1-43013-36-30	. PLUG, PIN	1	
7	YF1-52213-36-51	. PIN, PIPE	1	
8	YF1-52213-37-00	. O-RING	1	
9	YF1-52313-39-60	. PIN, PIPE	2	
10	YF1-26319-49-30	. PIN, PIPE	1	
11	YF0-48111-01-00	. O-RING	1	
12	YF1-52713-39-50	. PIN, PIPE	1	
13	YF0-48111-01-20	. O-RING	1	
14	YF1-52617-39-10	. COVER, WATER	1	
15	YF0-10235-06-18	. BOLT	2	
16	YF1-52710-57-60	. PIPE, BREATHER INLET	1	
17	YF1-59010-23-10	. LINER, CYLINDER	2	
18	YF1-43840-16-10	. OIL PAN	1	
19	YF1-92460-16-20	GASKET, OIL PAN	1	
20	YF0-10535-06-55	BOLT	8	
21	YK0-45125-00-60	WASHER, SPRING (YF0-45125-00-60)	8	
22	YF1-52710-47-10	COVER, CRANKCASE	1	
23	YF1-92460-47-20	PACKING, C-CASE, COVER ..	1	
24	YF0-10235-06-18	BOLT	12	
25	YF1-52710-55-80	CLAMP, PIPE	1	
26	YF1-52713-21-10	FILTER, OIL	1	
27	YF0-48110-01-20	O-RING	1	
28	YF0-11535-08-18	BOLT	1	

CONTINUED ON NEXT FRAME ►

7NF1100-3010

EDL6500S

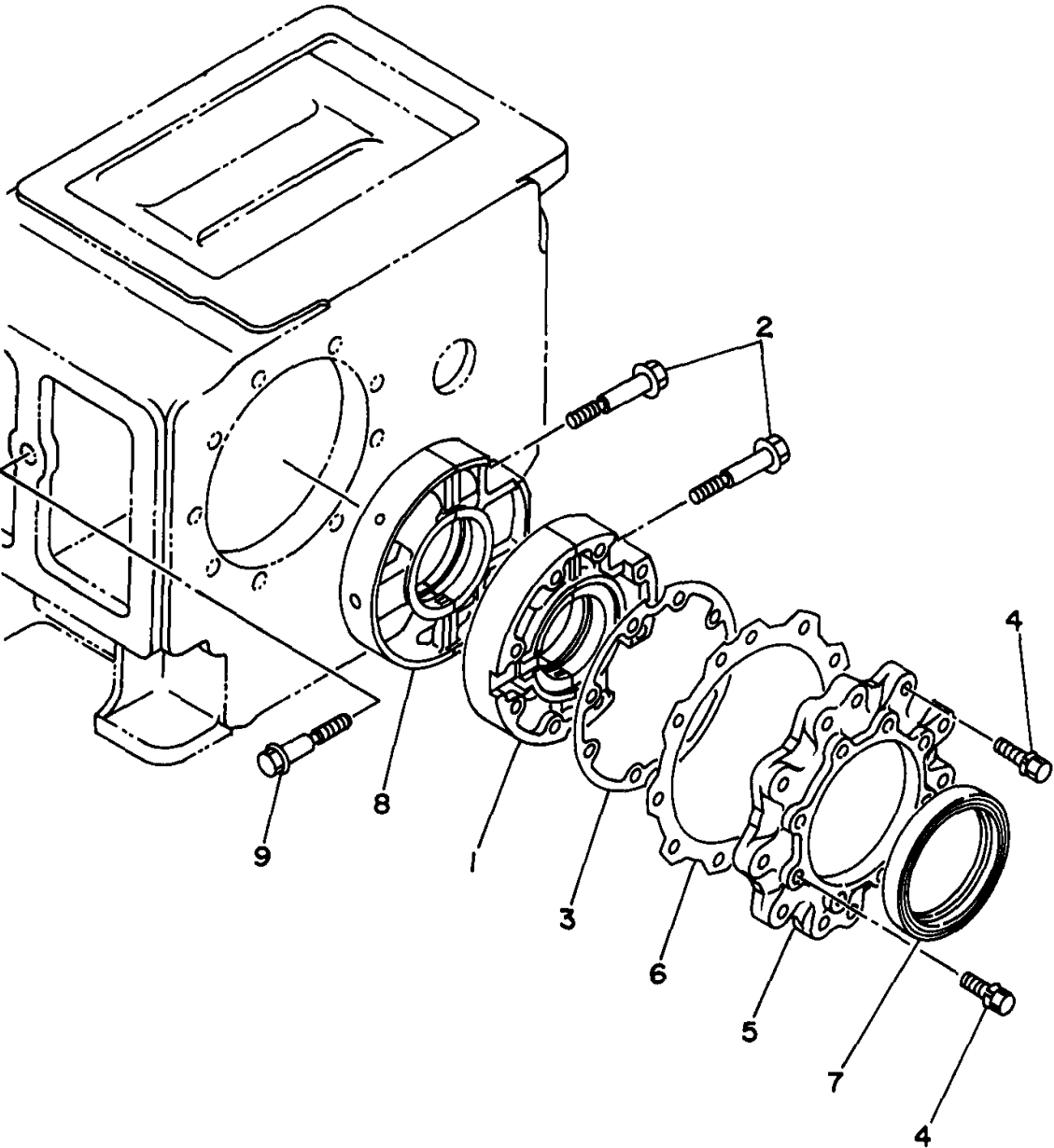
CRANKCASE



Ref. No.	Part Number	Description	Qty	Remarks
29	92902-08100-00	WASHER, SPRING	1	
30	YF0-15135-06-18	BOLT, STUD	2	
31	95380-06600-00	NUT, HEXAGON	2	
32	YK0-45125-00-60	WASHER, SPRING (YF0-45125-00-60)	2	
33	YF1-43847-22-90	COVER, WATER	1	
34	YF1-43197-21-20	GASKET	1	
35	YF0-10235-06-18	BOLT	9	
36	YF0-10235-06-25	BOLT	1	
37	YF1-53217-33-40	PIPE, WATER RETURN	1	
38	YF1-52617-28-80	PIPE, WATER	1	
39	YF1-55438-30-41	SWITCH, THERMOMETER (YF1-55438-30-40)	1	

7NF1100-3010

MAIN BEARING CASE

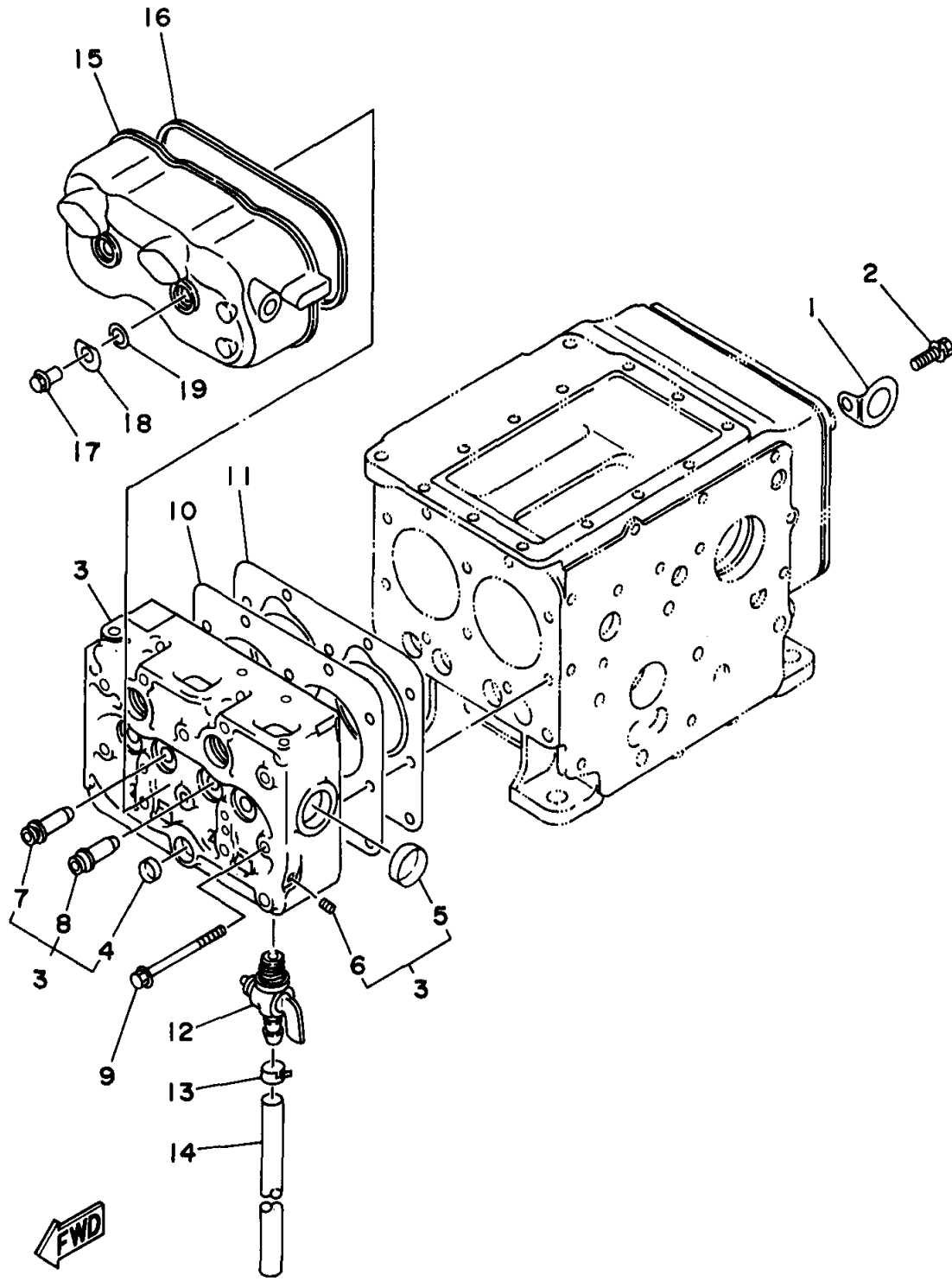


Ref. No.	Part Number	Description	Qty	Remarks
1	YF1-52740-40-90	CASE ASSEMBLY, MAIN BEARING	1	
2	YF1-53810-45-40	BOLT, BEARING CASE	4	
3	YF1-92460-43-60	GASKET, BEARING CASE	1	
4	YF0-10235-06-25	BOLT	17	
5	YF1-92150-48-10	COVER, BEARING CASE	1	
6	YF1-92460-48-20	GASKET, BEARING CASE COVER	1	
7	YF1-43840-44-60	OIL SEAL (STD)	1	
8	YF1-52610-40-40	CASE ASSEMBLY, MAIN BEARING	1	
9	YF1-53810-45-60	BOLT, BEARING CASE	1	

7NF1100-3020

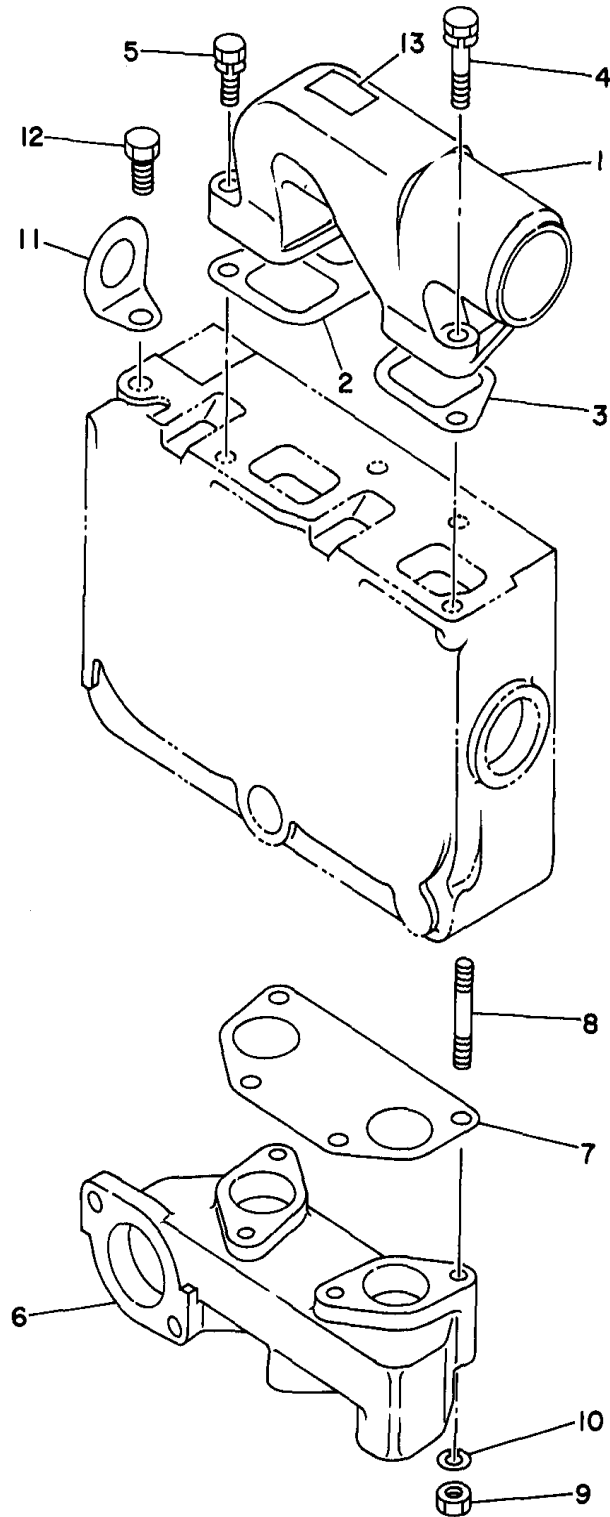
CYLINDER HEAD

Ref. No.	Part Number	Description	Qty	Remarks
1	YF1-52710-17-50	HOOK, ENGINE	1	
2	YF0-11235-08-28	BOLT	1	
3	YF1-43190-30-40	CYLINDER HEAD COMP.	1	
	YF1-G1210-30-00	CYLINDER HEAD COMP.	1	
4	YF1-52610-33-70	. CAP, SEALING	3	
5	YF1-53219-62-60	. CAP, SEALING	1	
6	YF1-52619-60-10	. PLUG	2	
7	YF1-52611-35-40	. GUIDE, INLET VALVE	2	
8	YF1-52611-35-60	. GUIDE, EXHAUST VALVE ...	2	
9	YF1-92150-34-50	BOLT, CYLINDER HEAD	10	
10	YF1-59440-33-10	GASKET, CYLINDER HEAD ...	1	
11	YF1-59010-33-20	SHIM, CYLINDER HEAD GASKET	1	
12	YF1-50003-43-90	COCK, DRAIN	1	
13	YF1-49114-27-50	CLIP, PIPE	1	
14	YF1-59577-31-30	PIPE, DRAIN	1	
15	YF1-92151-45-10	COVER, CYLINDER. HEAD ...	1	
16	YF1-52611-45-20	GASKET, HEAD COVER	1	
17	YF1-52611-46-20	NUT, HEAD COVER	2	
18	YF1-52611-46-40	WASHER, HEAD COVER	2	
19	YF1-52611-46-30	GASKET	2	



7NF1100-3030

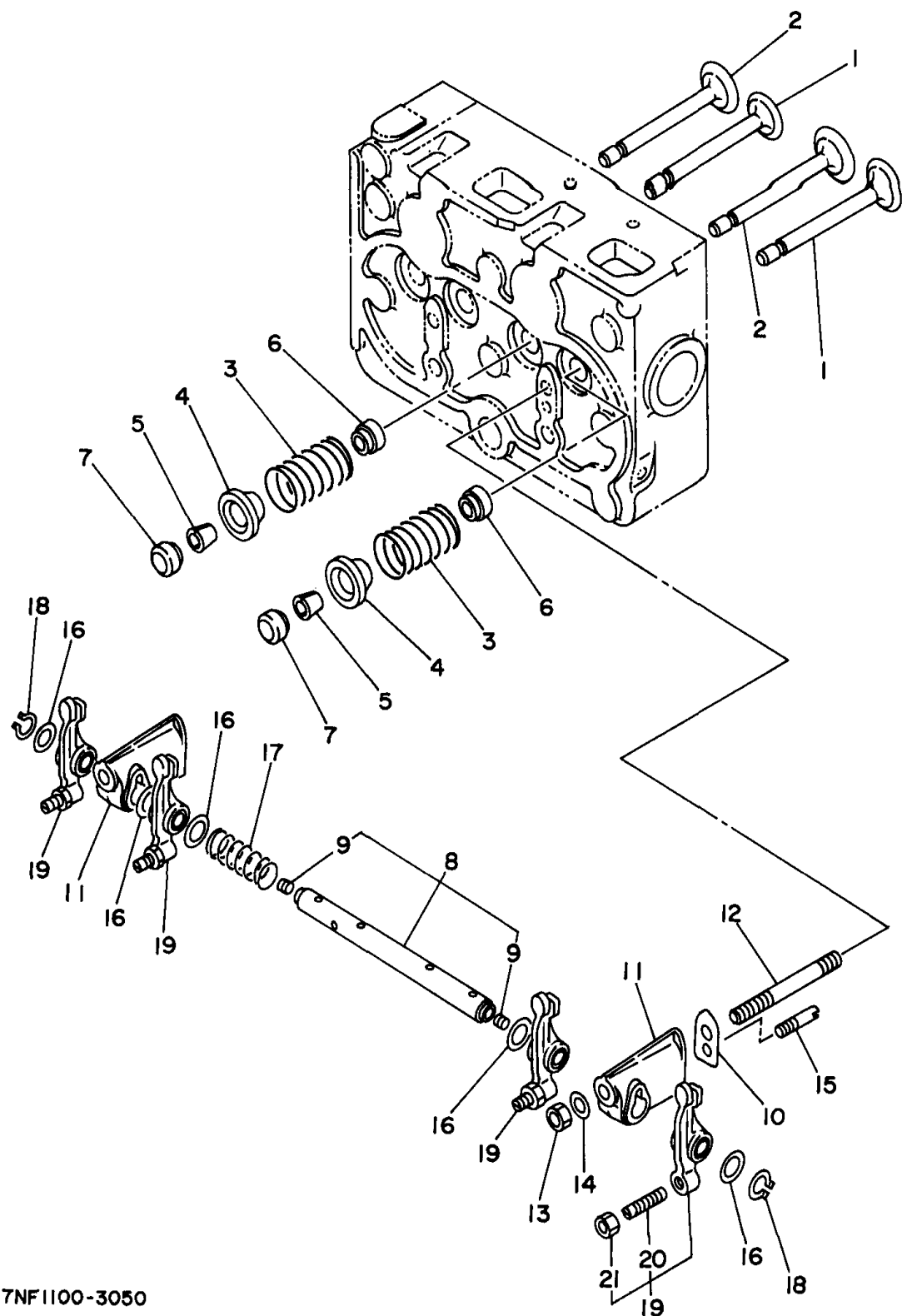
MANIFOLD



Ref. No.	Part Number	Description	Qty	Remarks
1	YF1-43841-17-60	MANIFOLD, INLET	1	
2	YF1-52631-18-20	GASKET	1	
3	YF1-52631-18-30	GASKET	1	
4	YF0-10235-06-22	BOLT	2	
5	YF0-10235-06-16	BOLT	2	
6	YF1-43841-23-20	MANIFOLD, EXHAUST	1	
7	YF1-92461-23-60	GASKET	1	
8	YF1-52729-15-00	BOLT, STUD	4	
9	95380-06600-00	NUT, HEXAGON	4	
10	YK0-45125-00-60	WASHER, SPRING (YF0-45125-00-60)	4	
11	YF1-52710-17-50	HOOK, ENGINE	1	
12	YK0-11535-08-16	BOLT (YF0-11535-08-16)	1	
13	YF1-92128-82-40	LABEL, CAUTION	1	

7NF1100-3040

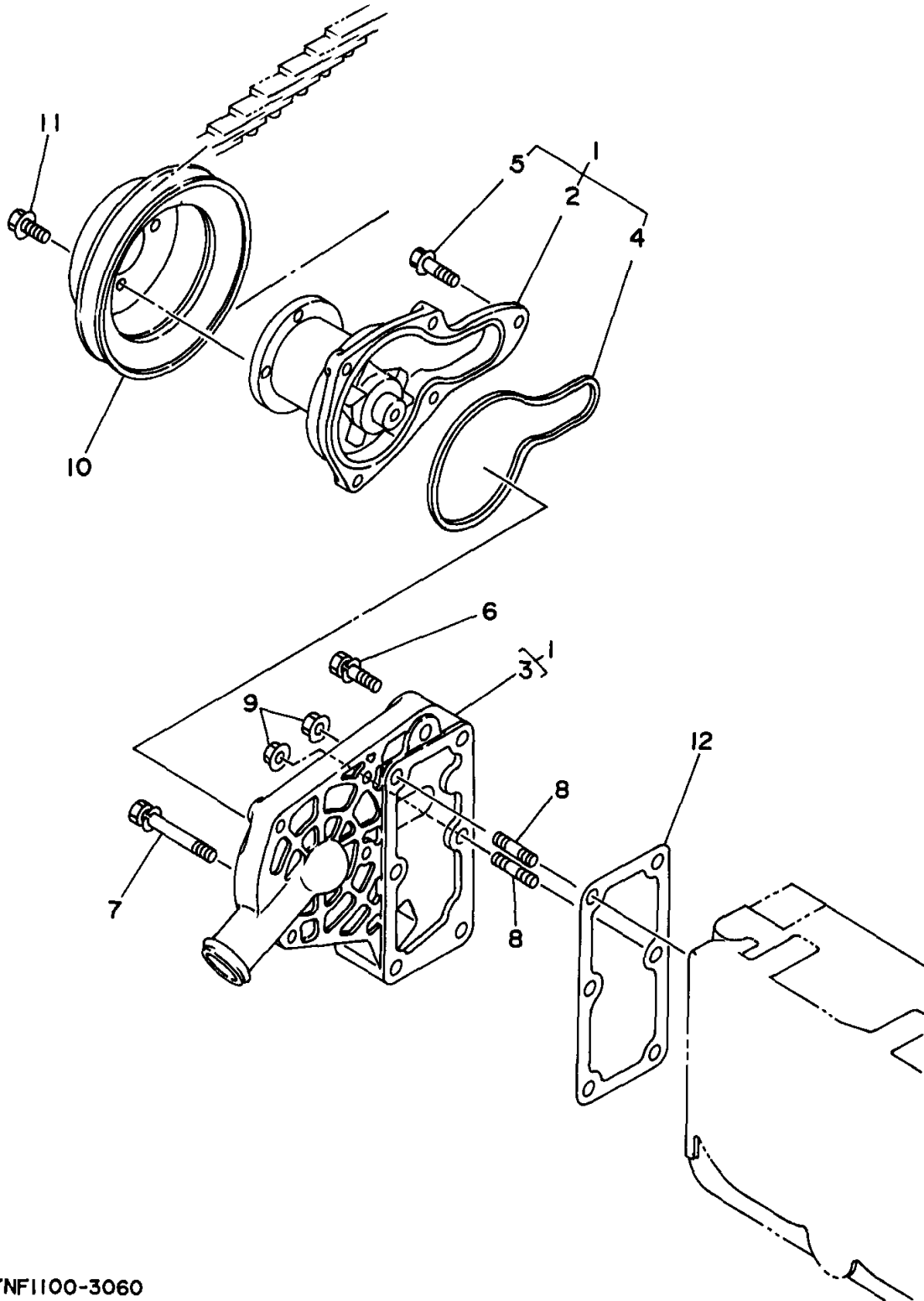
VALVE - ROCKER ARM



Ref. No.	Part Number	Description	Qty	Remarks
1	YF1-53931-31-10	VALVE, INLET	2	
2	YF1-53931-31-20	VALVE, EXHAUST	2	
3	YF1-52611-32-40	SPRING, VALVE	4	
4	YF1-62411-33-30	RETAINER, VALVE SPRING ..	4	
5	YF1-52611-33-60	COTTER, VALVE	8	
6	YF1-52611-31-50	SEAL, VALVE STEM	4	
7	YF1-62411-32-80	CAP, VALVE	4	
8	YF1-59011-40-53	SHAFT ASSEMBLY, ROCKER ARM	1	
9	YF0-34105-06-08	. SCREW SET	2	
10	YF1-52710-42-30	GUIDE, OIL	2	
11	YF1-53811-43-50	BRACKET, ROCKER ARM	2	
12	YF1-52611-44-10	BOLT, STUD	2	
13	YF1-52619-20-10	NUT	2	
14	YF1-52619-40-10	WASHER, PLAIN	2	
15	YF1-52611-44-20	SCREW SET	1	
16	YF1-52611-44-30	WASHER	4	
17	YF1-52611-43-10	SPRING, ROCKER ARM	1	
18	YF0-46120-01-10	CIRCLIP, EXTERNAL	2	
19	YF1-52711-40-30	ROCKER ARM ASSEMBLY ...	4	
20	YF1-52611-42-30	. SCREW, ADJUSTING	4	
21	YF1-52611-42-41	. NUT (YF1-52611-42-40)	4	

7NF1100-3050

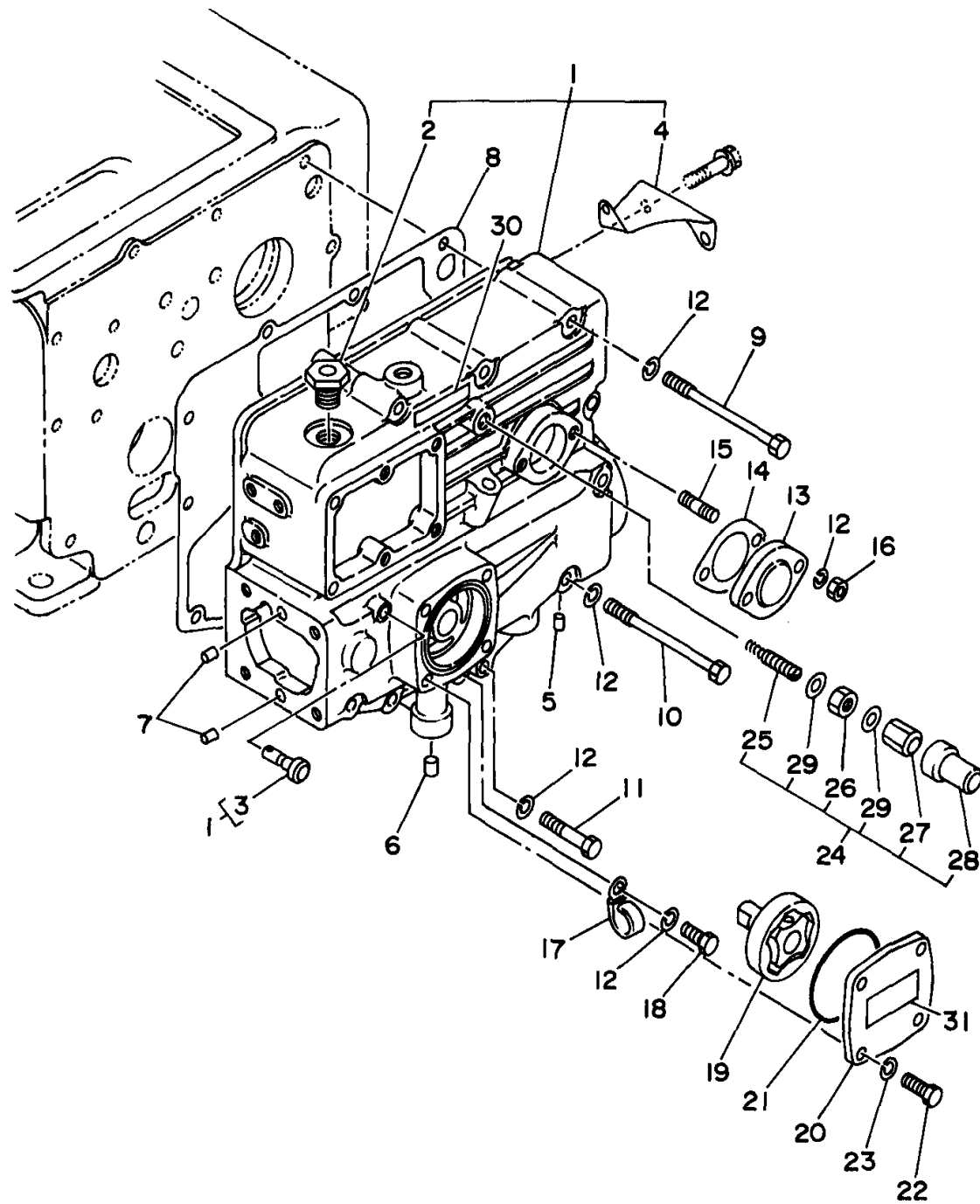
WATER PUMP



Ref. No.	Part Number	Description	Qty	Remarks
1	YF1-43847-30-30	WATER PUMP ASSEMBLY ...	1	
2	YF1-43847-34-00	BODY ASSEMBLY, WATER PUMP	1	
3	YF1-43847-37-70	. COVER, WATER PUMP	1	
4	YF1-43847-34-30	. GASKET, WATER PUMP	1	
5	YF1-43847-35-90	. BOLT	5	
6	YF0-10235-06-25	BOLT	3	
7	YF0-10235-06-40	BOLT	1	
8	YF0-15135-06-25	BOLT, STUD	2	
9	YF0-27515-00-60	NUT, FLANGE	2	
10	YF1-43847-42-50	PULLEY	1	
11	YF0-17545-06-10	BOLT, FLANGE	4	
12	YF1-92460-33-80	PACKING, PULLEY COVER ...	1	

7NF1100-3060

GEARCASE

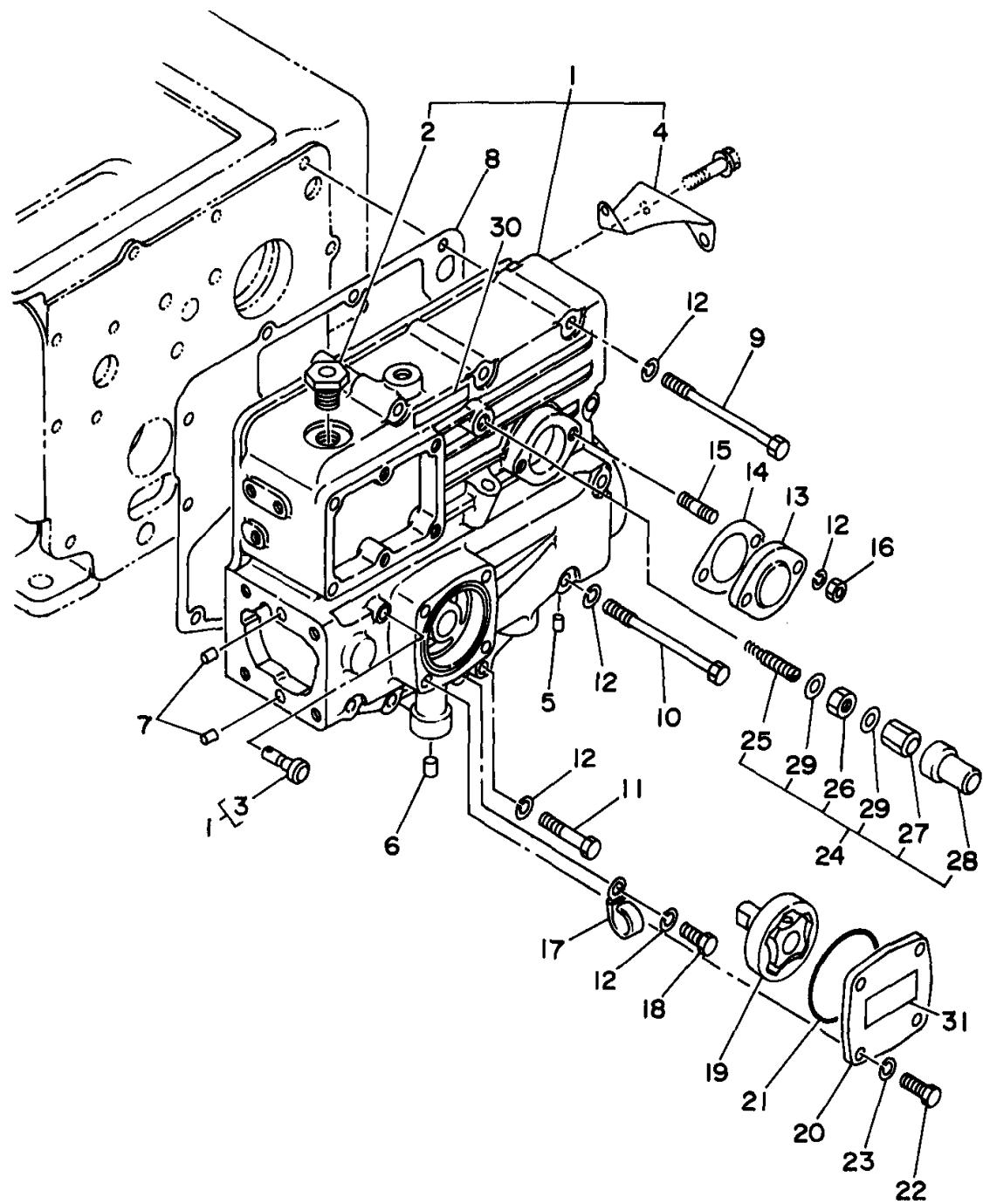


Ref. No.	Part Number	Description	Qty	Remarks
1	YF1-52710-40-22	GEARCASE COMP.	1	
2	YF1-52715-71-70	. SUPPORT SPRING ADJUST LEVER	1	
3	YF1-52215-62-80	. PIN, START SPRING	1	
4	YF1-59010-42-70	. SUPPORT, SPRING	1	ZB600-GL-S
5	YF1-52213-36-20	PLUG, PIN	1	
6	YF1-52213-36-40	PLUG, PIN	1	
7	YF0-50120-06-08	PIN, STRAIGHT	2	
8	YF1-92460-41-30	GASKET, GEARCASE	1	
9	YF1-46119-10-60	BOLT	4	
10	YF1-52719-10-30	BOLT	3	
11	YF0-10535-06-35	BOLT	2	
12	YK0-45125-00-60	WASHER, SPRING (YF0-45125-00-60)	12	
13	YF1-52710-42-80	CAP	1	
14	YF1-52710-42-90	PACKING, CAP	1	
15	YF0-15185-06-14	BOLT, STUD	2	
16	95380-06600-00	NUT, HEXAGON	2	
17	YF1-52726-75-80	CLAMP, CORD	1	
18	YF0-10535-06-12	BOLT	1	
19	YF1-52713-50-80	ROTOR ASSEMBLY	1	
20	YF1-52713-51-30	COVER, OIL PUMP	1	
21	YF1-52713-51-60	O-RING	1	
22	YF0-10535-06-18	BOLT	4	
23	YK0-45125-00-60	WASHER, SPRING (YF0-45125-00-60)	4	
24	YF1-52715-40-90	APPARATUS ASSEMBLY, I.D. .	1	
25	YF1-52715-41-00	. ADJUST BOLT ASSEMBLY ..	1	
26	YF1-52719-20-10	. NUT	1	
27	YF1-52719-23-30	. NUT, CAP	1	

CONTINUED ON NEXT FRAME ►

7NF1100-3070

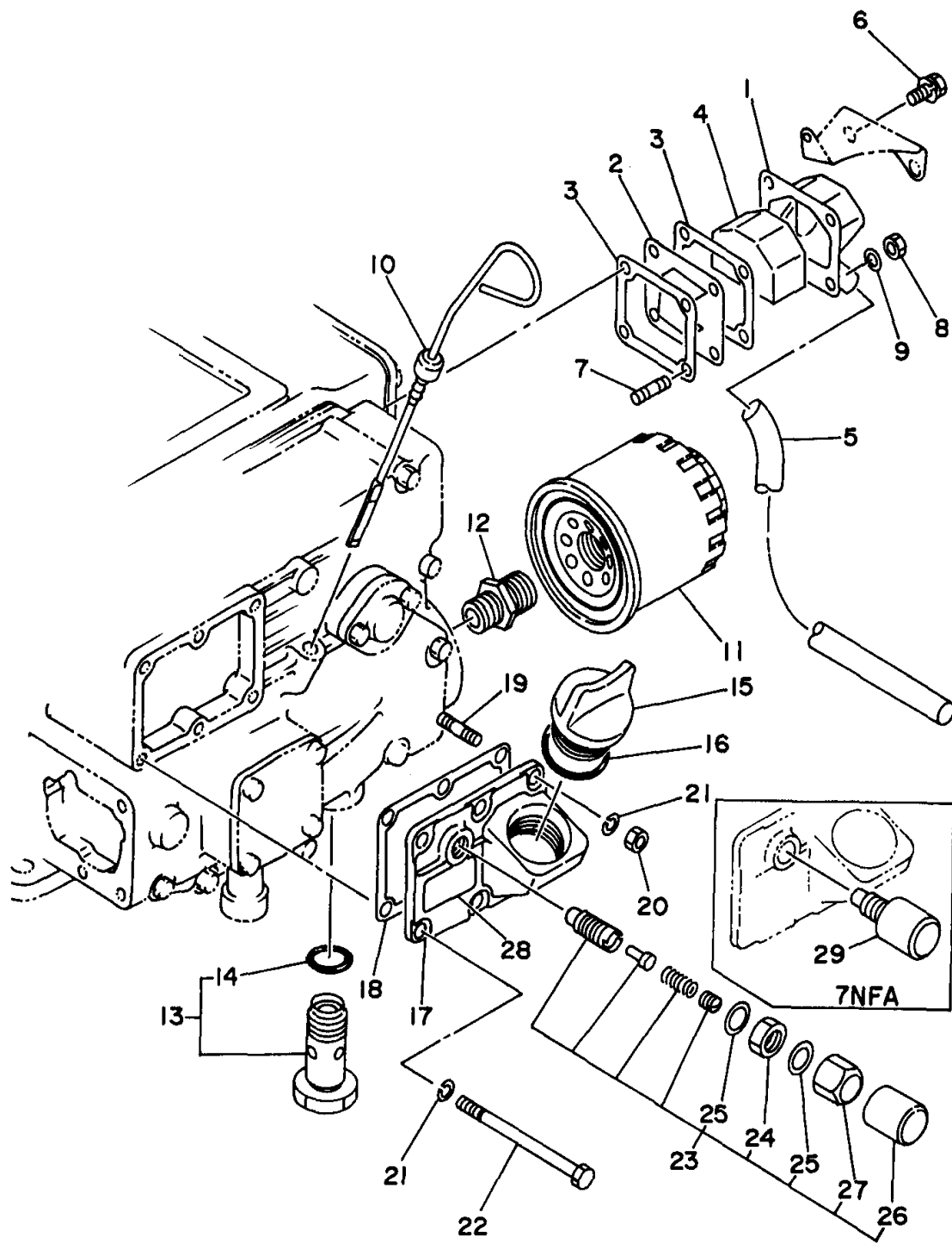
GEARCASE



Ref. No.	Part Number	Description	Qty	Remarks
28	YF1-52715-42-70	. CAP	1	
29	YF1-50213-36-60	. GASKET	2	
30	YF1-92128-82-10	LABEL, CAUTION	1	
31	YF1-43968-71-10	NAME PLATE, ENGINE	1	ZB600-GL-S

7NF1100-3070

BREATHER

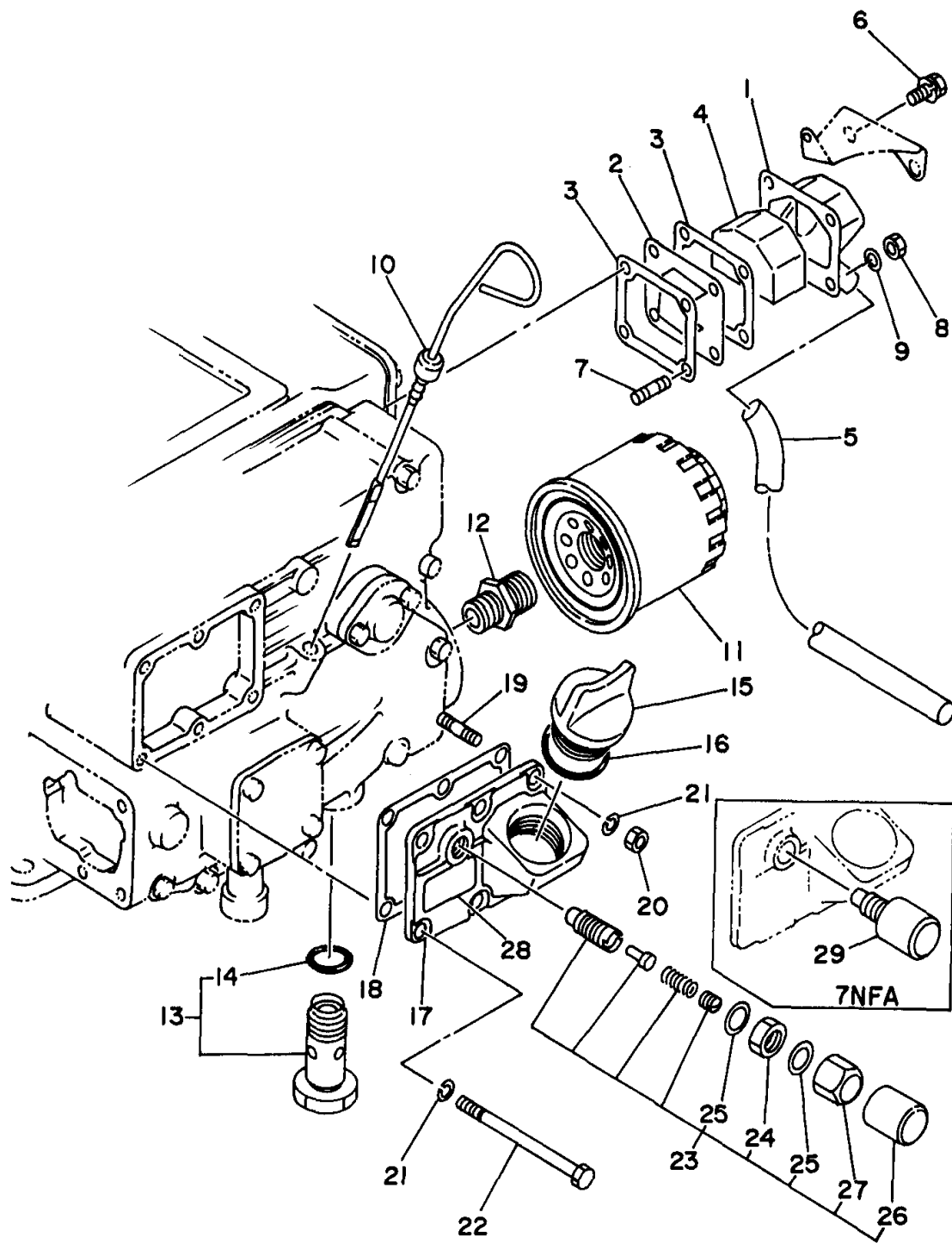


Ref. No.	Part Number	Description	Qty	Remarks
1	YF1-52710-54-10	COVER, BREATHER VALVE ..	1	
2	YF1-52310-51-10	BREATHER	1	
3	YF1-52630-51-30	GASKET, BREATHER	2	
4	YF1-52310-56-70	ELEMENT, BREATHER	1	
5	YF0-96638-04-30	PIPE, FUEL	1	
	YF0-96638-02-60	PIPE, FUEL	1	
6	YF0-10235-06-16	BOLT	2	
7	YF0-15185-06-14	BOLT, STUD	2	
8	95380-06600-00	NUT, HEXAGON	2	
9	YK0-45125-00-60	WASHER, SPRING (YF0-45125-00-60)	2	
10	YF1-52723-64-10	GAUGE, OIL	1	
11	YF1-52413-20-90	OIL CARTRDGE ASSEMBLY ..	1	
12	YF1-52413-22-90	JOINT, PIPE	1	
13	YF1-52613-60-70	RELIEF VALVE ASSEMBLY ...	1	
14	YF0-48100-01-50	. O-RING	1	
15	YF1-58523-31-40	PLUG, OIL FILLER	1	
16	YF0-48115-03-00	O-RING (YK0-48115-03-00)	1	
17	YF1-52715-41-40	SUPPORT	1	
18	YF1-92465-41-50	PACKING, SUPPORT	1	
19	YF0-15185-06-14	BOLT, STUD	4	
20	95380-06600-00	NUT, HEXAGON	4	
21	YK0-45125-00-60	WASHER, SPRING (YF0-45125-00-60)	6	
22	YF1-52719-10-30	BOLT	2	
23	YF1-59015-40-20	APPARATUS, FUEL LIMIT	1	
	YF1-G1215-40-21	APPARATUS, FUEL LIMIT	1	
24	YF1-52615-43-70	. NUT, LOCK	1	
	YF1-G1119-22-61	. NUT, LOCK	1	

CONTINUED ON NEXT FRAME ►

7NFA100-5080

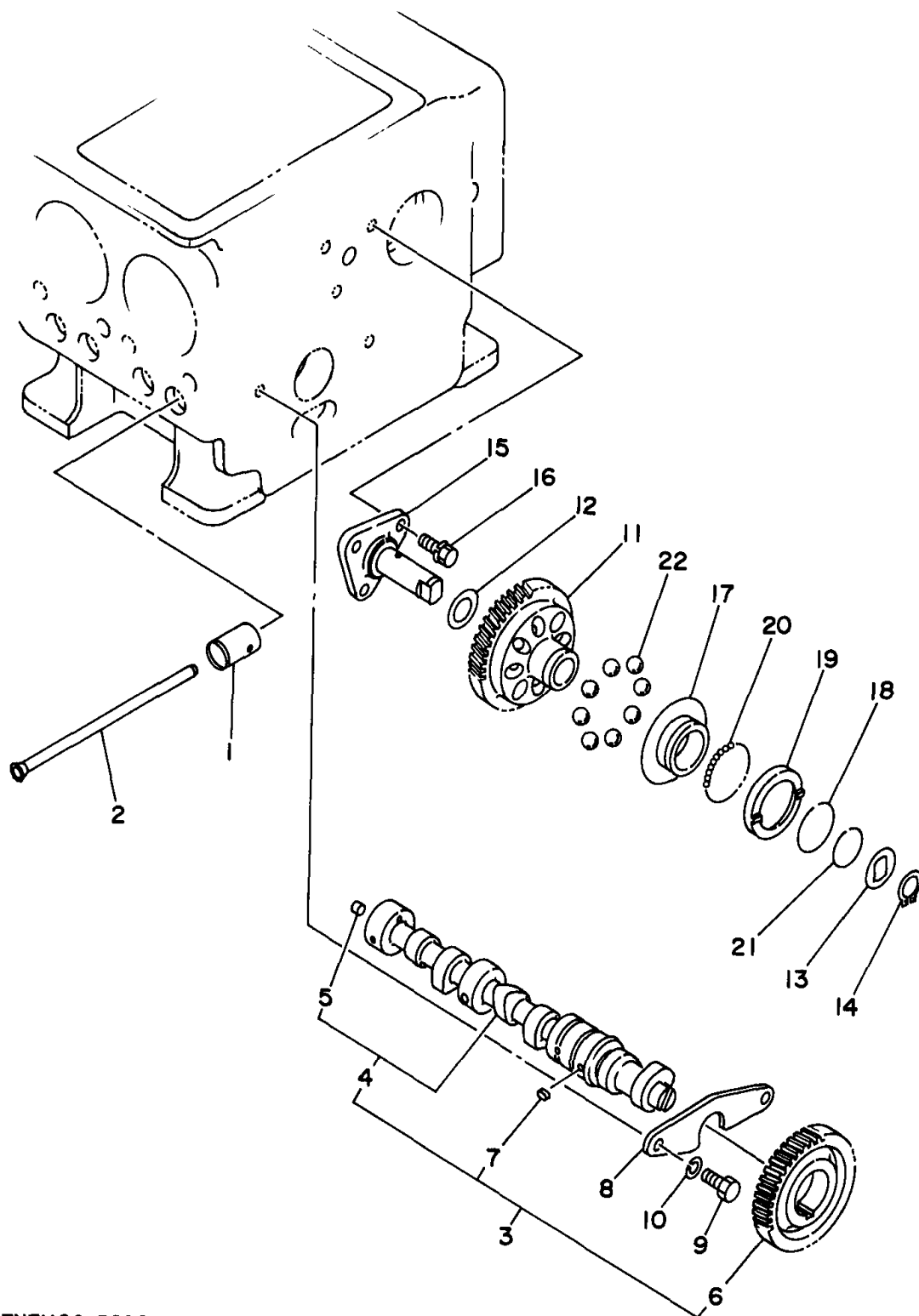
BREATHER



Ref. No.	Part Number	Description	Qty	Remarks
25	YF1-59015-41-90	. GASKET	2	
	YF1-51093-36-61	. GASKET	2	
26	YF1-43015-44-20	. CAP	1	
	YF1-43015-44-20	. CAP	1	
27	YF1-52615-42-20	. NUT, CAP	1	
	YF1-52615-42-20	. NUT, CAP	1	
28	YF1-92128-82-20	LABEL, CAUTION	1	
29	YF1-G1215-42-90	FUEL LIMIT, LOCK	1	

7NFA100-5080

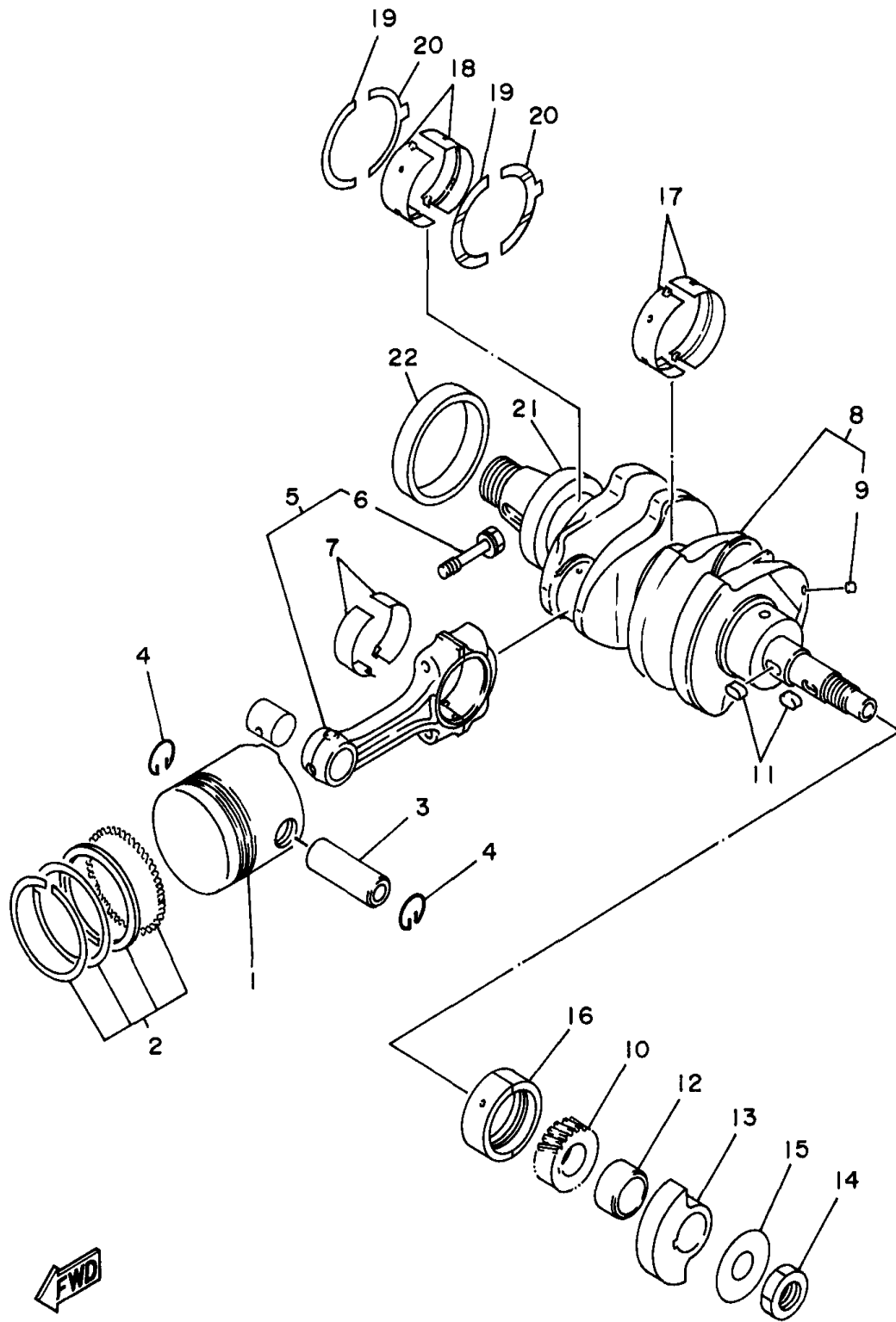
CAMSHAFT



Ref. No.	Part Number	Description	Qty	Remarks
1	YF1-62611-55-50	TAPPET	4	
2	YF1-52711-51-10	PUSH ROD	4	
3	YF1-52711-60-10	CAMSHAFT ASSEMBLY	1	
4	YF1-52711-61-10	. CAMSHAFT COMP	1	
5	YF1-52619-68-80	.. PLUG, BLIND	1	
6	YF1-52711-65-10	. GEAR, CAMSHAFT	1	
7	YF1-52711-62-40	. KEY, FEATHER	1	
8	YF1-52711-62-70	STOPPER, CAMSHAFT	1	
9	YF0-11535-08-18	BOLT	2	
10	92902-08100-00	WASHER, SPRING	2	
11	YF1-52712-40-10	IDLE GEAR COMP.	1	
12	YF1-52612-43-60	COLLAR, IDLE GEAR	1	
13	YF1-52612-43-70	COLLAR, IDLE GEAR	1	
14	YF1-52612-43-20	STOPPER, IDLE GEAR	1	
15	YF1-52712-42-50	SHAFT, IDLE GEAR	1	
16	YF0-11235-08-20	BOLT	3	
17	YF1-52615-54-50	SLEEVE, GOVERNOR	1	
18	YF1-52615-54-70	CIRCLIP, GOVERNOR SLEEVE	1	
19	YF1-55495-56-90	CASE, GOVERNOR BALL	1	
20	YF0-77150-32-05	BALL	30	
21	YF1-52615-57-40	CIRCLIP	1	
22	YF0-77150-32-17	BALL	8	

7NF1100-3090

CRANKSHAFT - PISTON



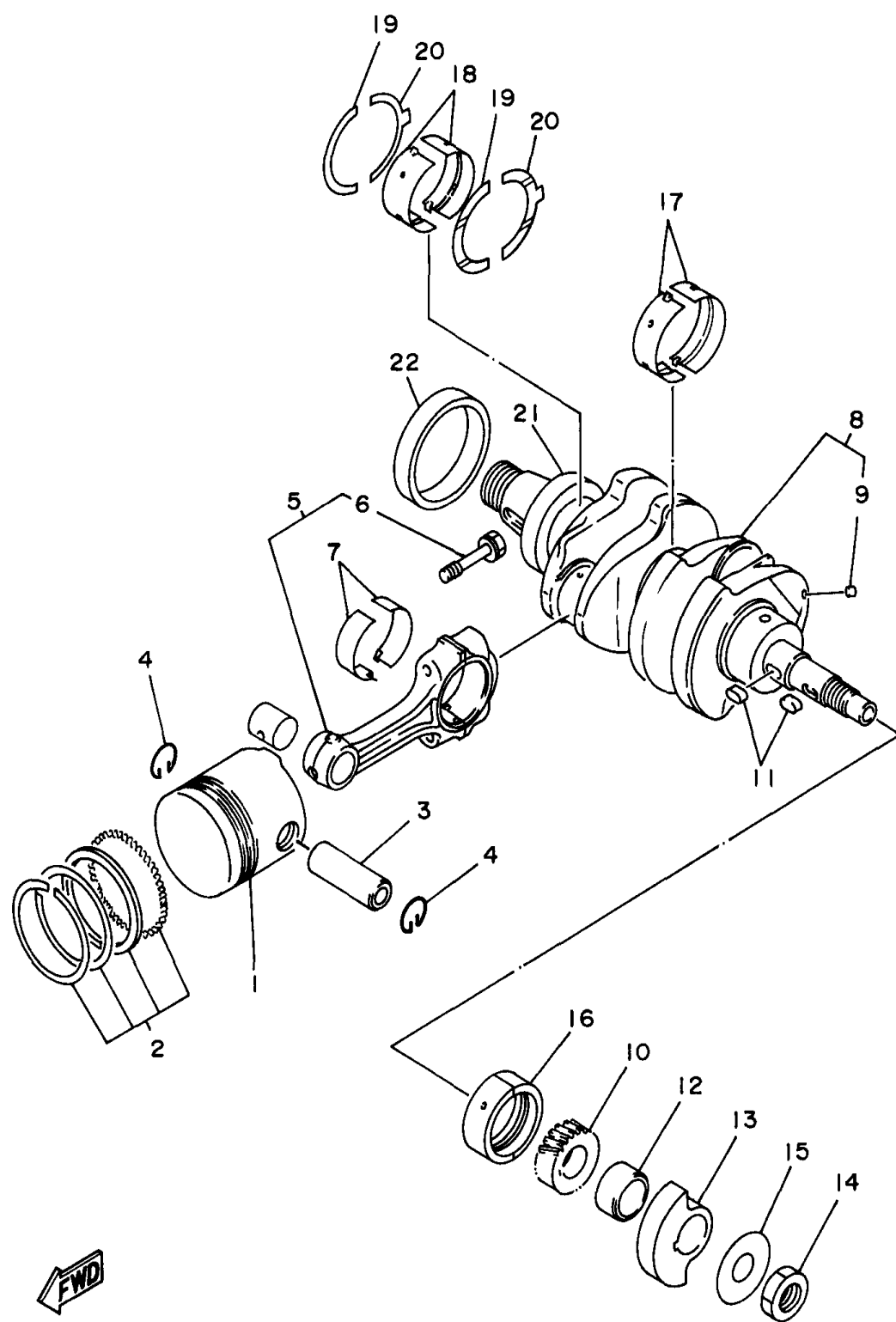
Ref. No.	Part Number	Description	Qty	Remarks
1	YF1-59562-11-10	PISTON (STD)	2	
	YF1-59562-19-10	PISTON (0.5MM O.S)	2	AP
2	YF1-59012-10-50	PISTON RING SET (STD)	2	
	YF1-59012-10-90	PISTON RING SET (0.5MM O.S)	2	AP
3	YF1-52612-13-10	PIN, PISTON	2	
4	YF1-52612-13-30	CIRCLIP, PISTON PIN	4	
5	YF1-53812-20-10	CONNECTING ROD ASSEMBLY	2	
6	YF1-53812-21-40	. BOLT, CONNECTING ROD	4	
7	YF1-55312-23-10	METAL, CRANKPIN (STD)	2	UR 0.0MM
	YF1-55312-29-80	METAL, CRANKPIN (-0.4MM)	2	AP
	YF1-55312-29-70	METAL, CRANKPIN (-0.2MM)	2	AP
8	YF1-52712-30-10	CRANKSHAFT COMP.	1	
9	YF0-77150-32-07	. BALL	2	
10	YF1-52712-41-10	GEAR, CRANKSHAFT	1	
11	YF0-57120-05-15	KEY, FEATHER	2	
12	YF1-52712-32-50	COLLAR, CRANKSHAFT	1	
13	YF1-52712-62-50	BALANCER	1	
14	YF1-52612-33-60	NUT, CRANKSHAFT	1	
15	YF1-52612-33-80	WASHER, CRANKSHAFT	1	
16	YF1-52612-34-70	METAL, CRANKSHAFT (STD)	1	
	YF1-52612-39-10	METAL, CRANKSHAFT (-0.2MM)	1	AP
	YF1-52612-39-20	METAL, CRANKSHAFT (-0.4MM)	1	AP
17	YF1-56942-34-80	METAL, CRANKSHAFT (STD)	1	
	YF1-52742-39-10	METAL, CRANKSHAFT (-0.2MM)	1	AP
	YF1-52742-39-20	METAL, CRANKSHAFT (-0.4MM)	1	AP
18	YF1-52742-34-90	METAL, CRANKSHAFT (STD)	1	

CONTINUED ON NEXT FRAME ►



7NF1100-3100

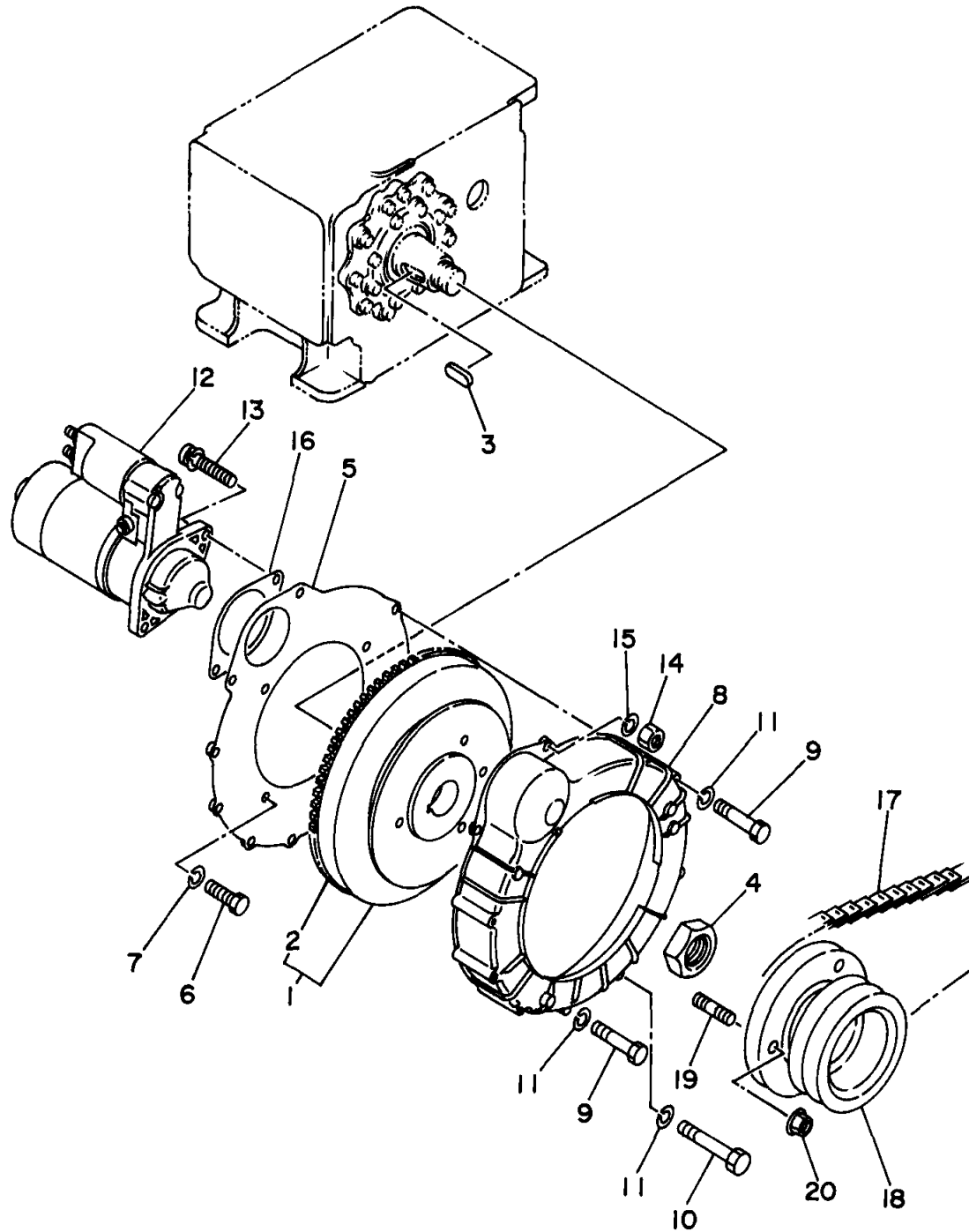
CRANKSHAFT - PISTON



Ref. No.	Part Number	Description	Qty	Remarks
18	YF1-52742-39-30	METAL, CRANKSHAFT (-0.2MM)	1	AP
	YF1-52742-39-40	METAL, CRANKSHAFT (-0.4MM)	1	AP
19	YF1-52612-35-32	METAL, SIDE (STD) (YF1-52612-35-30)	2	
	YF1-52612-39-50	METAL, SIDE (+0.2MM)	2	AP
	YF1-52612-39-60	METAL, SIDE (+0.4MM)	2	AP
20	YF1-52612-35-42	METAL, SIDE (STD) (YF1-52612-35-40)	2	
	YF1-52612-39-70	METAL, SIDE (+0.2MM)	2	AP
	YF1-52612-39-80	METAL, SIDE (+0.4MM)	2	AP
21	YF1-43840-44-60	OIL SEAL (STD)	1	2 & D-5
	YF1-92150-44-60	OIL SEAL	1	UR AP USE AS A SET
22	YF1-92152-32-80	SLEEVE, CRANKSHAFT	1	AP USE AS A SET

7NF1100-3100

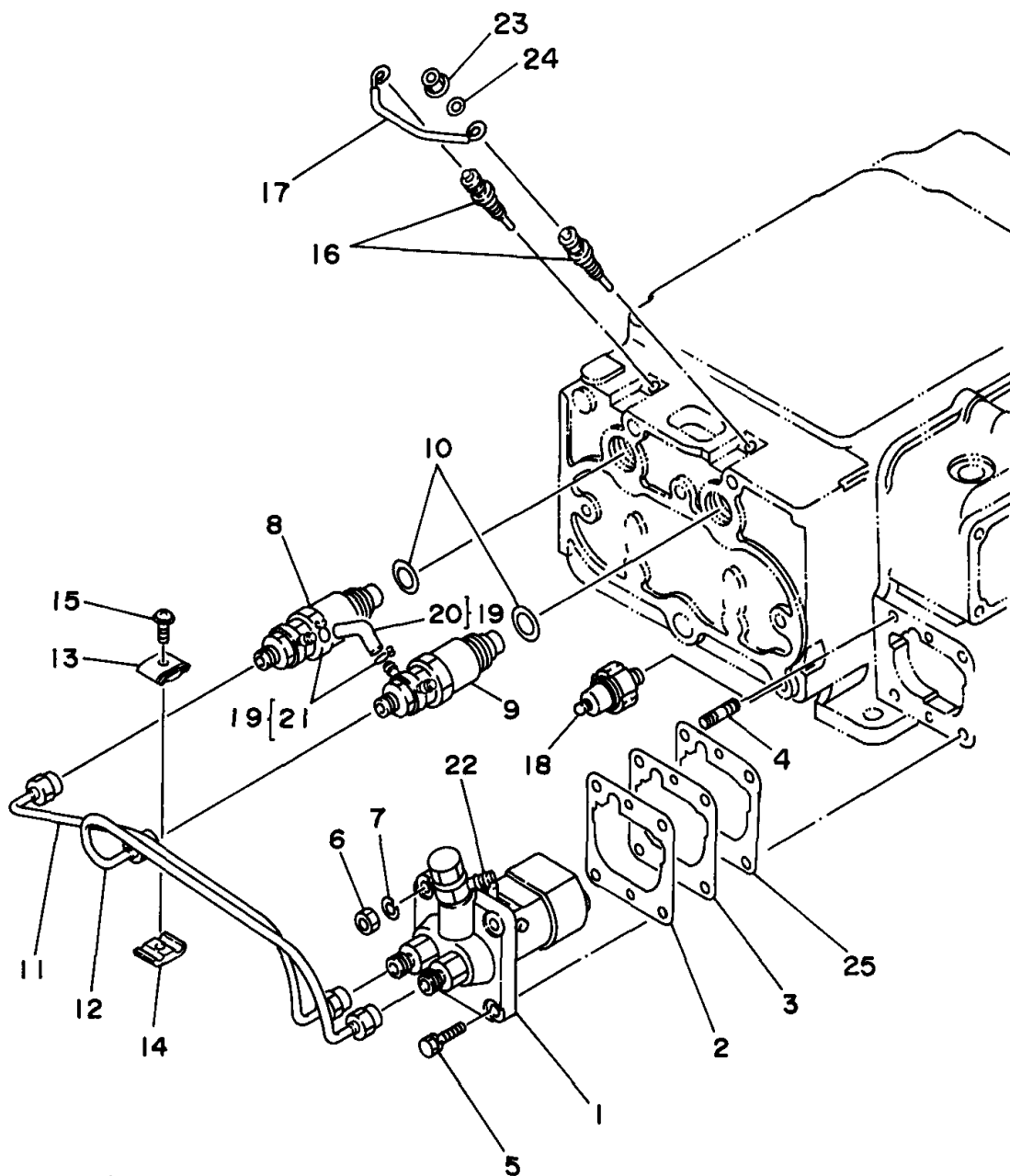
FLYWHEEL



Ref. No.	Part Number	Description	Qty	Remarks
1	YF1-52712-50-10	FLYWEEL COMP.	1	
2	YF1-52626-38-20	. GEAR, RING	1	
3	YF0-57120-07-25	KEY, FEATHER	1	
4	YF1-52712-33-50	NUT, FLYWHEEL	1	
5	YF1-52710-46-20	PLATE, END	1	
6	YF0-11535-08-18	BOLT	4	
7	92902-08100-00	WASHER, SPRING	4	
8	YF1-43842-53-10	COVER, FLYWHEEL	1	
	YF1-G1222-53-11	COVER, FLYWHEEL	1	
9	YF0-10535-06-65	BOLT	2	
10	YF0-10535-06-60	BOLT	6	
11	YK0-45125-00-60	WASHER, SPRING (YF0-45125-00-60)	8	
12	YF1-57416-30-10	STARTER ASSEMBLY	1	
13	YF0-11535-08-40	BOLT	2	
14	95380-08600-00	NUT	2	
15	92902-08100-00	WASHER, SPRING	2	
16	YF1-52716-35-80	SHIM	1	
17	YF1-43849-70-10	BELT, ENDLESS	1	
18	YF1-43868-40-20	PULLEY, V-150 (141MM)	1	UR
19	YF0-15175-10-30	BOLT, STUD	3	
20	YF0-27715-01-00	NUT, FLANGE	3	

7NF1100-3110

INJECTION PUMP



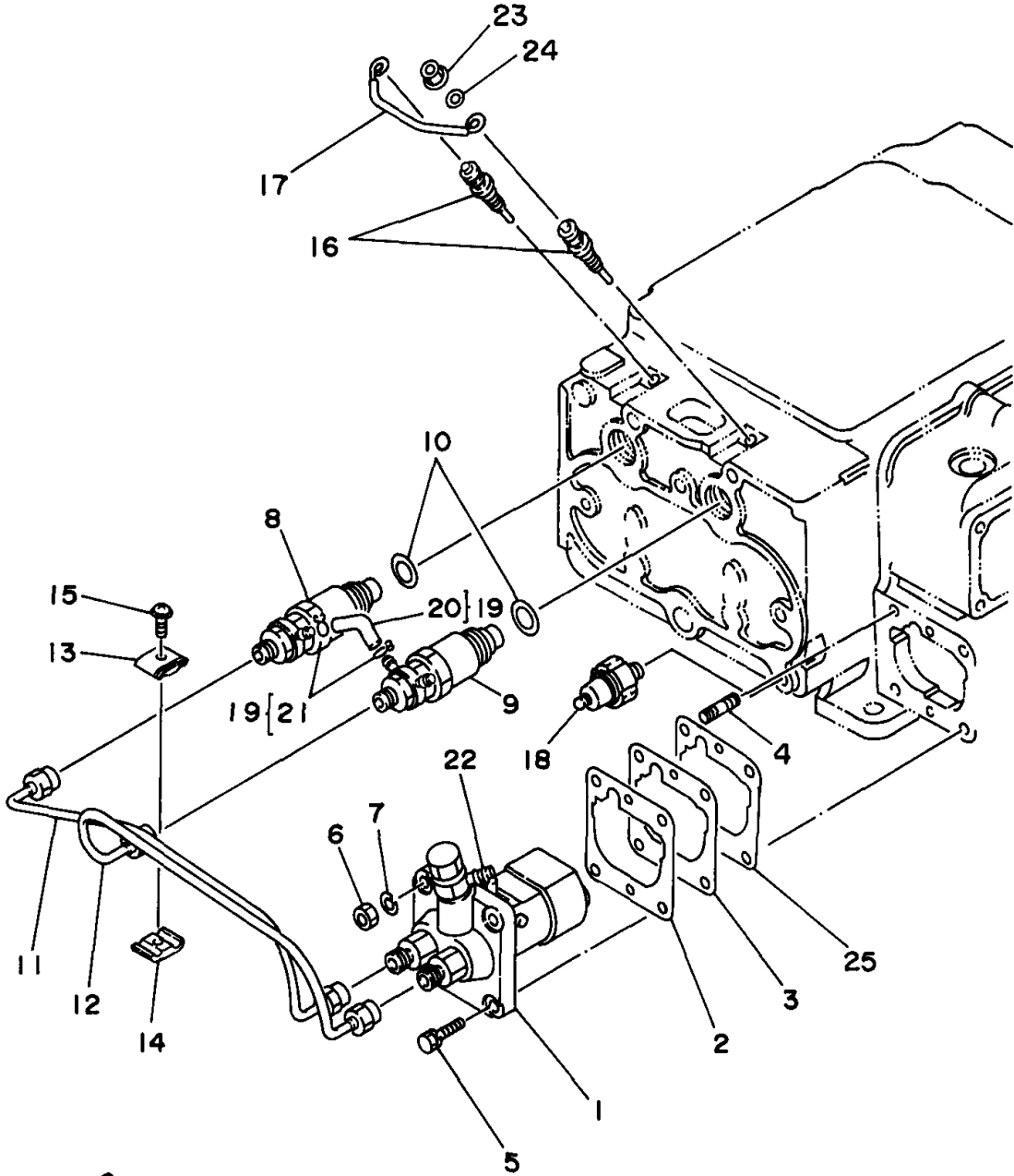
Ref. No.	Part Number	Description	Qty	Remarks
1	YF1-43845-10-10	PUMP ASSEMBLY, INJECTION	1	
	YF1-G1225-10-11	PUMP ASSEMBLY, INJECTION	1	
2	YF1-52215-21-10	SHIM, INJECTION PUMP	3	
3	YF1-52715-21-10	SHIM, INJECTION PUMP	1	
4	YF0-15135-08-22	BOLT, STUD	2	
5	YF0-11235-08-25	BOLT	2	
6	95380-08600-00	NUT	2	
7	92902-08100-00	WASHER, SPRING	2	
8	YF1-52715-30-00	HOLDER ASSEMBLY, NOZZLE 1	1	
	YF1-G1215-30-01	HOLDER ASSEMBLY, NOZZLE 1	1	
9	YF1-52715-30-20	HOLDER ASSEMBLY, NOZZLE 2	1	
	YF1-G1215-30-21	HOLDER ASSEMBLY, NOZZLE 2	1	
10	YF1-70115-36-20	GASKET	2	
11	YF1-43845-37-10	PIPE, INJECTION	1	
12	YF1-43845-37-20	PIPE, INJECTION	1	
13	YF1-58415-38-50	CLAMP, PIPE	1	
14	YF1-58415-38-60	CLAMP, PIPE	1	
15	YF0-30245-05-20	SCREW, WITH WASHER	1	
16	YF1-59516-55-12	PLUG, GLOW (YF1-59516-55-10)	2	
	YF1-56946-55-13	PLUG, GLOW	2	
17	YF1-52616-55-60	CORD, GLOW PLUG	1	
18	YF1-58413-90-10	SWITCH, OIL	1	
19	YF1-52714-25-00	PIPE ASSEMBLY, OVER FLOW	1	
20	YF1-52614-25-10	. PIPE, FUEL OVER FLOW	1	
21	YF1-49714-27-50	. CLIP, PIPE	2	
22	YF1-41114-24-10	JOINT	1	



7NF5100-4120

CONTINUED ON NEXT FRAME ►

INJECTION PUMP

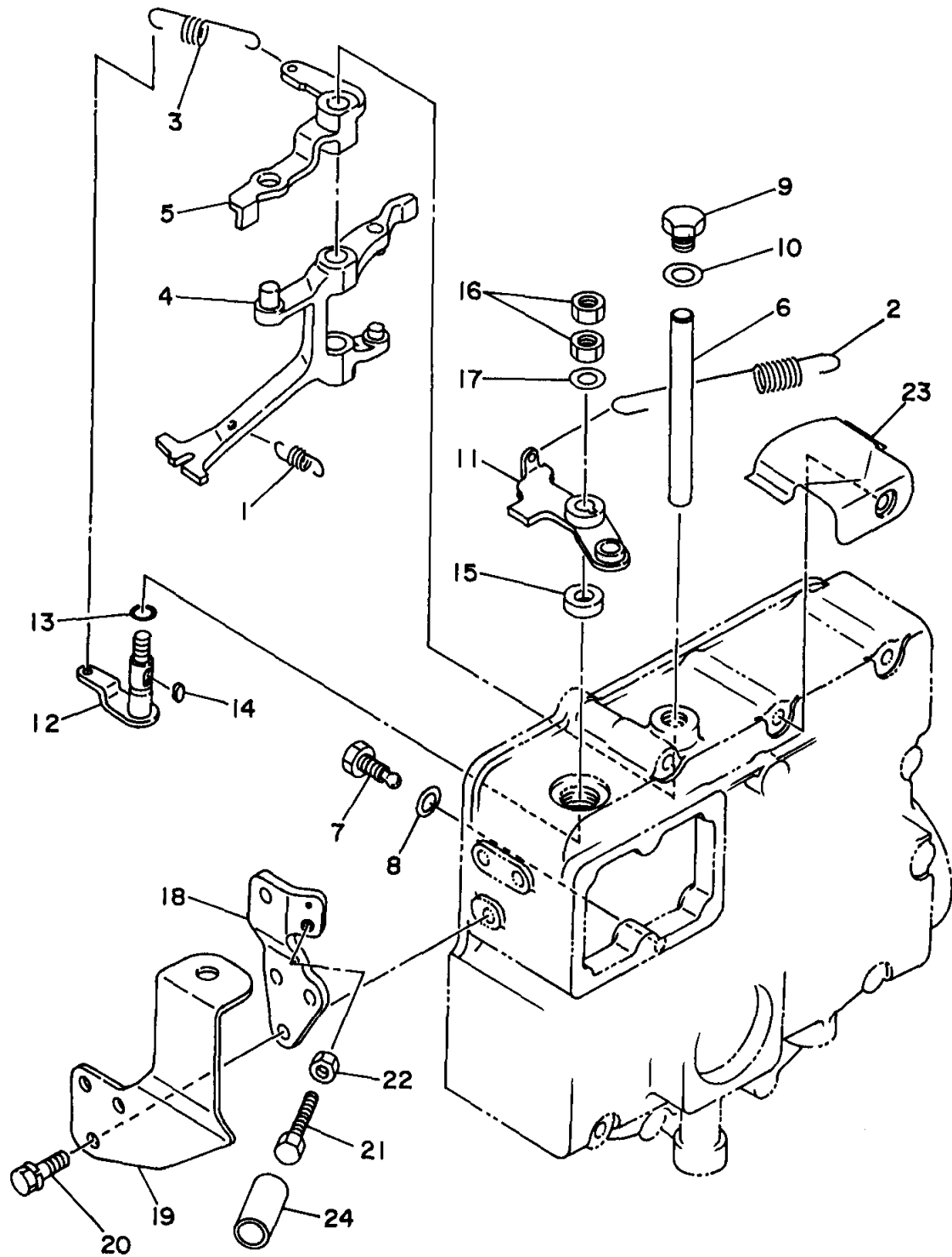


Ref. No.	Part Number	Description	Qty	Remarks
23	YF0-27615-00-40	NUT, FLANGE	2	
24	YF0-40135-00-40	WASHER, PLATE	2	
25	YF1-52615-21-11	SHIM	1	



7NF5100-4120

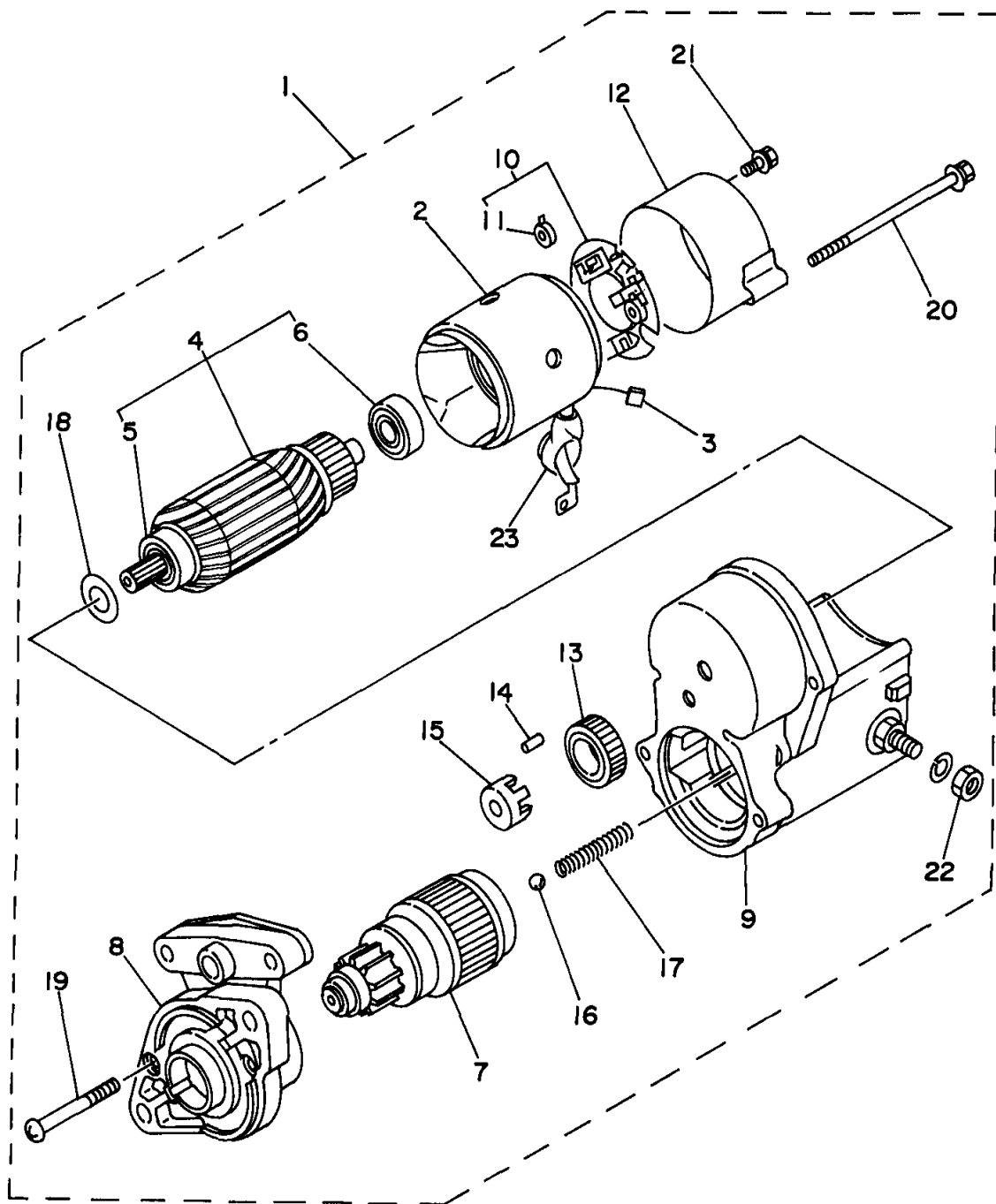
GOVERNOR



Ref. No.	Part Number	Description	Qty	Remarks
1	YF1-52715-64-80	SPRING, START	1	
2	YF1-52715-65-40	SPRING, STOP	1	
3	YF1-52715-64-10	SPRING, GOVERNOR	1	
4	YF1-52715-60-40	LEVER COMP., FORK	1	
5	YF1-52715-62-10	LEVER, FLOATING	1	
6	YF1-52715-61-50	SHAFT, FORK LEVER	1	
7	YF1-52710-42-10	BOLT, LEVER SHAFT	1	
8	92902-08100-00	WASHER, SPRING	1	
9	YF1-52710-42-60	PLUG	1	
10	YF0-47240-01-20	GASKET	1	
11	YF1-43845-71-50	LEVER, SPEED CONTROL	1	
12	YF1-52715-72-30	SHAFT, LEVER	1	
13	YF0-48111-00-70	RING	1	
14	YF1-52619-50-10	KEY, FEATHER	1	
15	YF1-43845-73-80	COLLAR	1	
16	95380-08700-00	NUT	2	
17	92990-08600-00	WASHER, PLATE	1	
18	YF1-52715-74-60	STOPPER, RELEASE	1	
19	YF1-43846-01-10	SUPPORT SOLENOID	1	
20	YF0-10235-06-22	BOLT	3	
21	YF0-10525-06-30	BOLT	1	
22	YF0-20125-00-60	NUT	1	
	YF1-G0315-42-10	NUT	1	
23	YF1-59015-65-70	STAY, SPRING STOP	1	
24	YF1-G0215-42-80	PIPE (R.P.M. LIMIT LOCK)	1	

7NFA100-5130

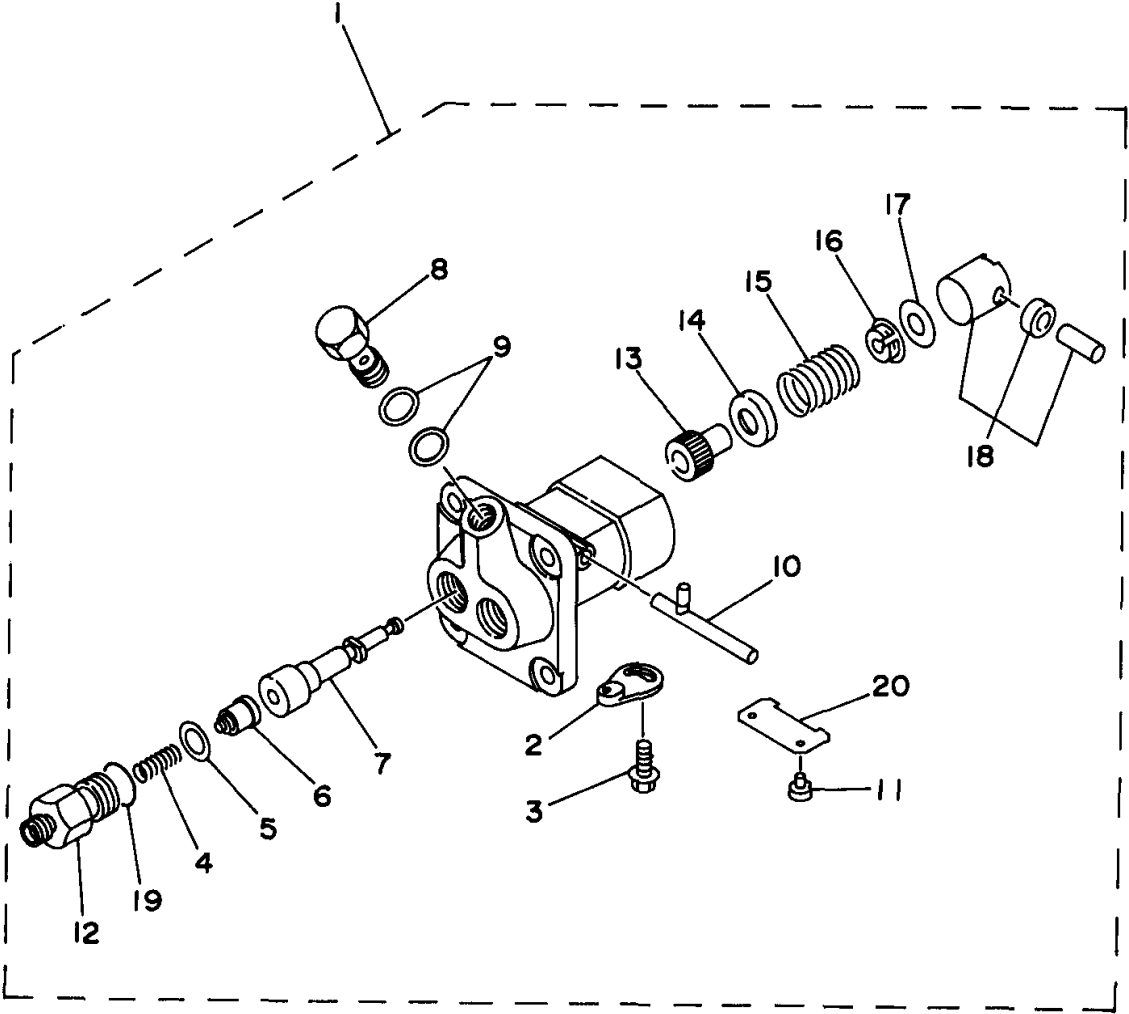
STARTER (SECTION PARTS)



Ref. No.	Part Number	Description	Qty	Remarks
1	YF1-57416-30-10	STARTER ASSEMBLY	1	
2	YF1-55016-30-80	. YOKE	1	
3	YF1-55016-33-70	. BRUSH	2	
4	YF1-55016-30-70	. ARMATURE	1	
5	YF1-55046-35-00	.. BEARING, BALL	1	
6	YF1-55046-35-30	.. BEARING, BALL	1	
7	YF1-55046-30-40	. CLUTCH	1	
8	YF1-55046-30-30	. HOUSING	1	
9	YF1-55046-30-20	. SWITCH, MAGNETIC	1	
10	YF1-55016-33-80	. HOLDER, BRUSH	1	
11	YF1-54016-33-90	.. SPRING, BRUSH	4	
12	YF1-55016-32-00	. FRAME, END	1	
13	YF1-54016-32-70	. GEAR	1	
14	YF1-92126-31-00	. ROLLER	5	
15	YF1-92126-31-10	. RETAINER	1	
16	YF1-92129-71-30	. BALL	1	
17	YF1-92126-31-20	. SPRING	1	
18	YF1-55019-66-70	. WASHER, FELT	1	
19	YF1-55019-33-10	. SCREW, PAN HEAD	2	
20	YF1-55016-33-20	. BOLT, THROUGH	2	
21	YF1-55019-10-20	. BOLT	2	
22	YF1-39639-20-10	. NUT, HEXAGON	1	
23	YF1-55046-31-20	. COVER, CORD	1	

7NF1100-3140

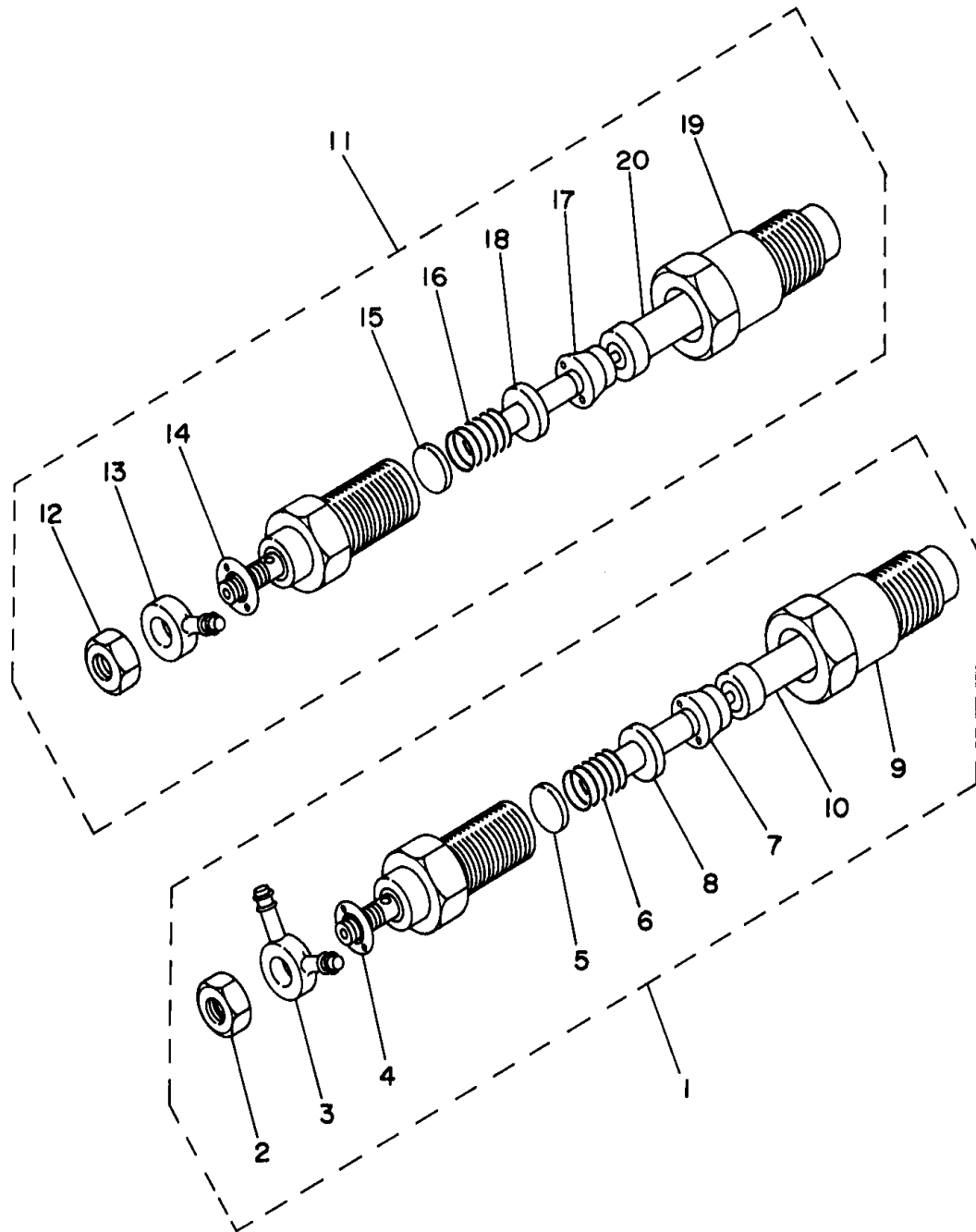
INJECTION PUMP (SECTION PARTS)



Ref. No.	Part Number	Description	Qty	Remarks
1	YF1-43845-10-10	PUMP ASSEMBLY, INJECTION	1	
	YF1-G1225-10-11	PUMP ASSEMBLY, INJECTION	1	
2	YF1-43845-13-90	. PLATE, ADJUSTING	1	
3	YF1-52219-10-30	. BOLT	1	
4	YF1-52215-12-30	. SPRING, DELIVERY VALVE	2	
5	YF1-52215-12-40	. GASKET, DELIVERY VALVE	2	
6	YF1-52715-10-30	. VALVE, DELIVERY	2	
7	YF1-43845-10-50	. PLUNGER, PUMP	2	
8	YF1-49115-13-20	. SCREW, FOLLOW	1	
9	YF1-52219-66-50	. WASHER, NIPPLE	2	
10	YF1-52715-10-60	. RACK, CONTROL	1	
11	YF1-46115-12-50	. PIN, TAPPET GUIDE	2	
12	YF1-19215-51-22	. HOLDER, DELIVERY VALVE	2	
13	YF1-52215-13-82	. SLEEVE, CONTROL	2	
14	YF1-52215-12-70	. SEAT, SPRING UPPER	2	
15	YF1-52215-12-80	. SPRING, PLUNGER	2	
16	YF1-52215-12-90	. SEAT, SPRING LOWER	2	
17	YF1-52215-14-90	. SHIM	1	
18	YF1-52215-10-70	. TAPPET ASSEMBLY	2	
19	YF1-46115-12-00	. O-RING	2	
20	YF1-46115-14-40	. PLATE	1	

7NF1100-3150

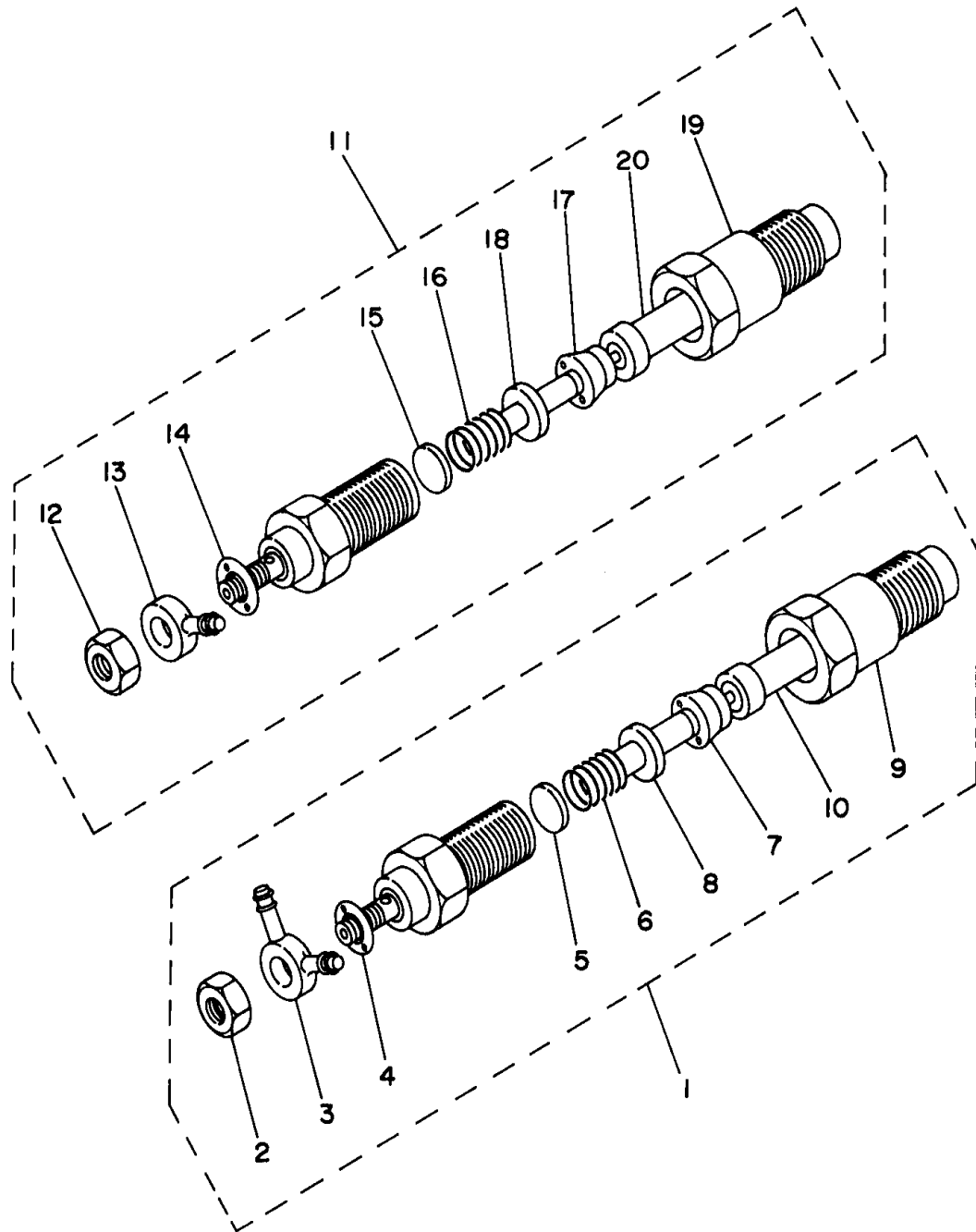
NOZZLE HOLDER



Ref. No.	Part Number	Description	Qty	Remarks
1	YF1-52715-30-00	HOLDER ASSEMBLY, NOZZLE 1	1	URFOR (7NF1) 7NF-53
	YF1-52715-30-20	HOLDER ASSEMBLY, NOZZLE 2	1	URFOR (7NF1) 7NF-53
	YF1-G1215-30-21	HOLDER ASSEMBLY, NOZZLE 2	1	FOR (7NF1) 7NF-91
2	YF1-52219-20-20	. NUT	2	FOR (7NF1) 7NF-53
	YF1-G1219-20-31	. NUT	1	FOR (7NF1) 7NF-91
3	YF1-52219-56-80	. JOINT	1	UR FOR NOZZLE 1 FOR (7NF1) 7NF-53
	YF1-G1219-56-91	. JOINT	1	FOR (7NF1) 7NF-91
	YF1-52219-56-90	. JOINT	1	UR FOR NOZZLE 2 FOR (7NF1) 7NF-53
4	YF1-52219-40-20	. WASHER, PLAIN	2	FOR (7NF1) 7NF-53
	YF1-G1219-40-21	. WASHER, PLAIN	1	FOR (7NF1) 7NF-91
5	YF1-52215-32-30	. WASHER, ASJUSTING	2	FOR (7NF1) 7NF-53
	YF1-G1215-32-31	. WASHER, ADJUSTING	1	FOR (7NF1) 7NF-91
6	YF1-52215-31-70	. SPRING, NOZZLE	2	FOR (7NF1) 7NF-53
	YF1-G1215-31-71	. SPRING, NOZZLE	1	FOR (7NF1) 7NF-91
7	YF1-41115-33-51	. PIECE, DISTANCE	1	FOR (7NF1) 7NF-91
	YF1-52215-33-50	. PIECE, DISTANCE	2	FOR (7NF1) 7NF-53
8	YF1-41115-31-61	. PUSH, ROD	1	FOR (7NF1) 7NF-91
	YF1-52215-31-60	. PUSH ROD	2	FOR (7NF1) 7NF-53
9	YF1-52215-32-80	. NUT, NOZZLE	2	FOR (7NF1) 7NF-53
	YF1-G1215-32-81	. NUT, NOZZLE	1	FOR (7NF1) 7NF-91
10	YF1-92025-36-10	. PIECE, NOZZLE	2	FOR (7NF1) 7NF-53
	YF1-41115-36-11	. PIECE, NOZZLE	1	FOR (7NF1) 7NF-91
11	YF1-G1215-30-01	HOLDER ASSEMBLY, NOZZLE 1	1	FOR (7NF1) 7NF-91
12	YF1-G1219-20-31	. NUT	1	FOR (7NF1) 7NF-91
13	YF1-G1219-56-81	. JOINT	1	FOR (7NF1) 7NF-910191~ (7NFA) 7NF-960001~ (CONT.)

CONTINUED ON NEXT FRAME ►

NOZZLE HOLDER

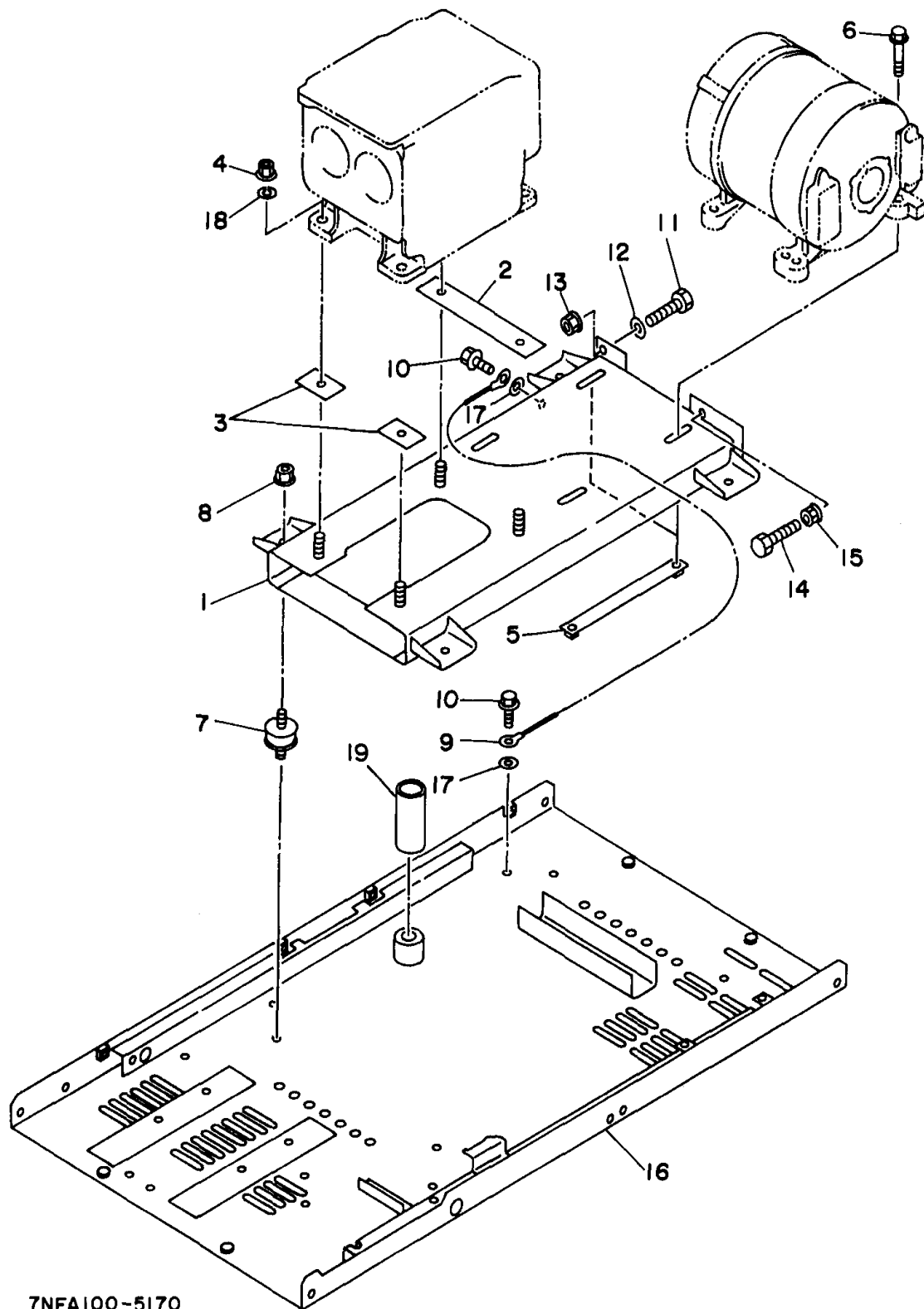


Ref. No.	Part Number	Description	Qty	Remarks
14	YF1-G1219-40-21	. WASHER, PLAIN	1	FOR (7NF1) 7NF-910191~ (7NFA) 7NF-960001~ (CONT.)
15	YF1-G1215-32-31	. WASHER, ADJUSTING	1	FOR (7NF1) 7NF-910191~ (7NFA) 7NF-960001~ (CONT.)
16	YF1-G1215-31-71	. SPRING, NOZZLE	1	FOR (7NF1) 7NF-910191~ (7NFA) 7NF-960001~ (CONT.)
17	YF1-41115-33-51	. PIECE, DISTANCE	1	FOR (7NF1) 7NF-910191~ (7NFA) 7NF-960001~ (CONT.)
18	YF1-41115-31-61	. PUSH, ROD	1	FOR (7NF1) 7NF-910191~ (7NFA) 7NF-960001~ (CONT.)
19	YF1-G1215-32-81	. NUT, NOZZLE	1	FOR (7NF1) 7NF-910191~ (7NFA) 7NF-960001~ (CONT.)
20	YF1-41115-36-11	. PIECE, NOZZLE	1	FOR (7NF1) 7NF-910191~ (7NFA) 7NF-960001~ (CONT.)

7NF5100-4160

EDL6500S

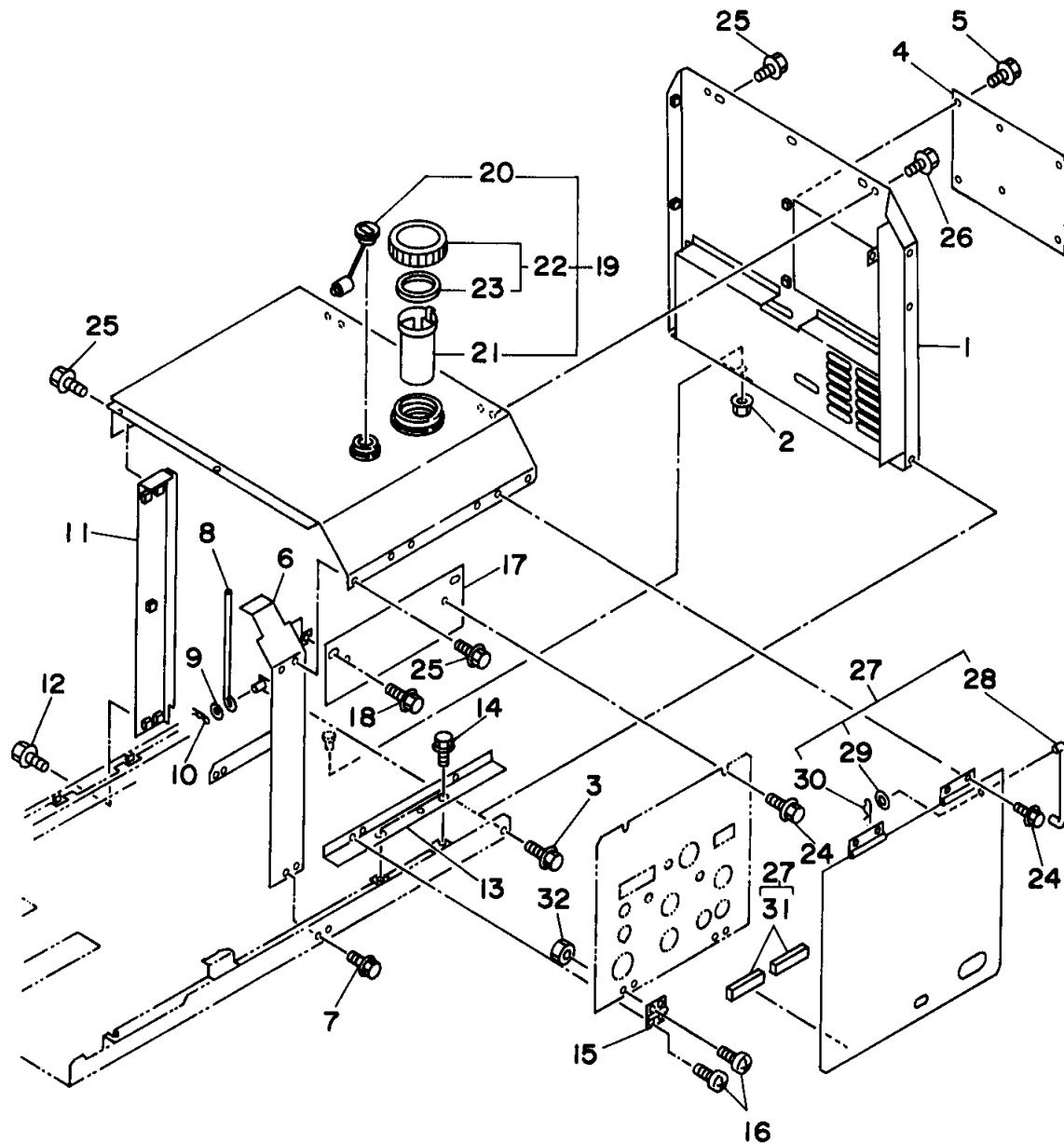
ENGINE BASE



7NFA100-5170

Ref. No.	Part Number	Description	Qty	Remarks
1	YF1-89613-06-93	BASE, ENGINE	1	
2	YF1-89616-03-40	SPACER, ENGINE	1	
3	YF1-89616-03-50	SPACER, ENGINE	2	
4	YF0-21185-01-20	NUT, FLANGE	4	
5	YF1-89613-05-60	PLATE, GENERATOR	2	
6	YF0-17745-10-40	BOLT, FLANGE	4	
7	YF1-88064-14-10	CUSHION	4	
8	YF0-27715-01-00	NUT, FLANGE	4	
9	YF1-89616-79-10	CORD, EARTH	1	
10	YF0-17545-08-16	BOLT, FLANGE	2	
11	YF0-11525-08-60	BOLT	1	
12	YK0-40135-00-80	WASHER, PLAIN (YF0-40135-00-80)	1	
13	YF0-27515-00-80	NUT, FLANGE	1	
14	YF0-11555-08-40	BOLT	1	
15	YF0-27515-00-80	NUT, FLANGE	1	
16	YFG-31813-05-50 YFG-31823-05-52	BED COMP.	1	
17	YF0-44135-00-80	WASHER, PLAIN	2	
18	92901-12100-00	WASHER, SPRING	4	
19	YF3-74103-86-22	PIPE	1	

BONNET (FRONT)

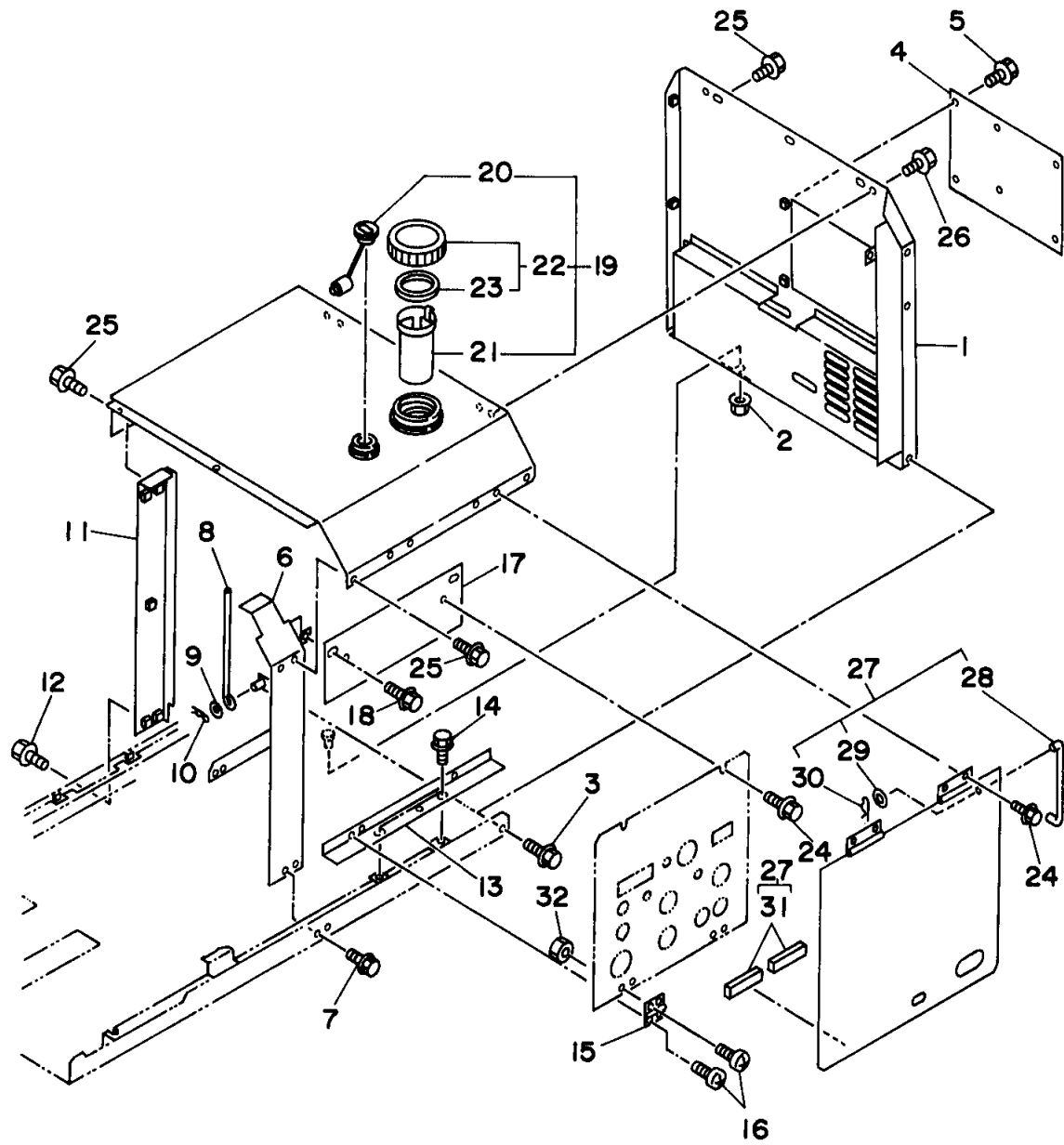


Ref. No.	Part Number	Description	Qty	Remarks
1	YFG-31813-01-10	BONNET COMP., FRONT	1	
2	YF0-27515-00-80	NUT, FLANGE	2	
3	YF0-17545-08-16	BOLT, FLANGE	2	
4	YFG-31813-02-20	COVER, FRONT	1	
5	YF0-17545-06-12	BOLT, FLANGE	4	
6	YFG-31813-13-70	POLE COMP., L.H	1	
7	YF0-17545-08-16	BOLT, FLANGE	2	
8	YF1-89613-12-70	STOPPER, DOOR	1	
9	YK0-40135-00-80	WASHER, PLAIN (YF0-40135-00-80)	1	
10	YF0-55155-08-00	PIN, SNAP	1	
11	YFG-31813-13-80	POLE COMP., R.H	1	
12	YF0-17545-08-16	BOLT, FLANGE	2	
13	YFG-31813-15-20	BRACKET, PANEL	1	
14	YF0-17545-06-12	BOLT, FLANGE	2	
15	YF1-89013-03-80	JOINT	2	
16	YF0-30245-04-10	SCREW, WITH WASHER	8	
17	YFG-31813-09-70	COVER, DUST	1	
18	YF0-17545-06-12	BOLT, FLANGE	4	
19	YFG-31813-05-10	ROOF COMP., GENERATOR	1	
20	YF1-89614-17-00	. GAUGE ASSEMBLY, FUEL	1	
21	YF1-42614-13-50	. FILTER	1	
22	YF1-25214-10-30	. CAP ASSEMBLY, FUEL TANK	1	
23	YF1-25214-13-40	. . GASKET, TANK CAP	1	
24	YF0-17545-06-12	BOLT, FLANGE	4	
25	YF0-17545-08-16	BOLT, FLANGE	7	
26	YF0-17745-10-20	BOLT, FLANGE	2	
27	YFG-31816-31-30	COVER ASSEMBLY, PANEL	1	
28	YF1-89616-31-40	. STOPPER, PANEL	1	

CONTINUED ON NEXT FRAME ►

7NF1100-3180

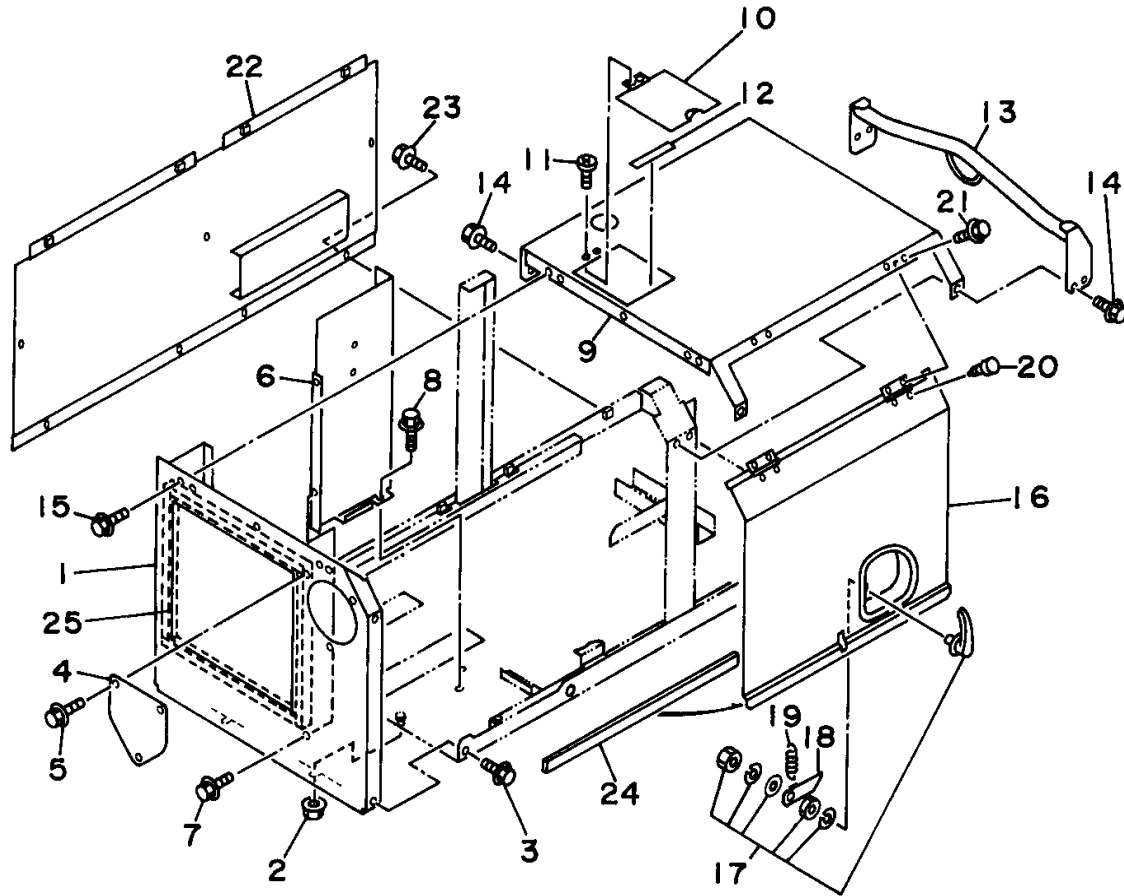
BONNET (FRONT)



Ref. No.	Part Number	Description	Qty	Remarks
29	92990-06200-00	. WASHER, PLAIN	1	
30	YF0-55155-06-00	. PIN, SNAP	1	
31	YF1-89610-06-80	. MAGNET, RUBBER	2	
32	YF0-20545-00-40	NUT	1	

7NF1100-3180

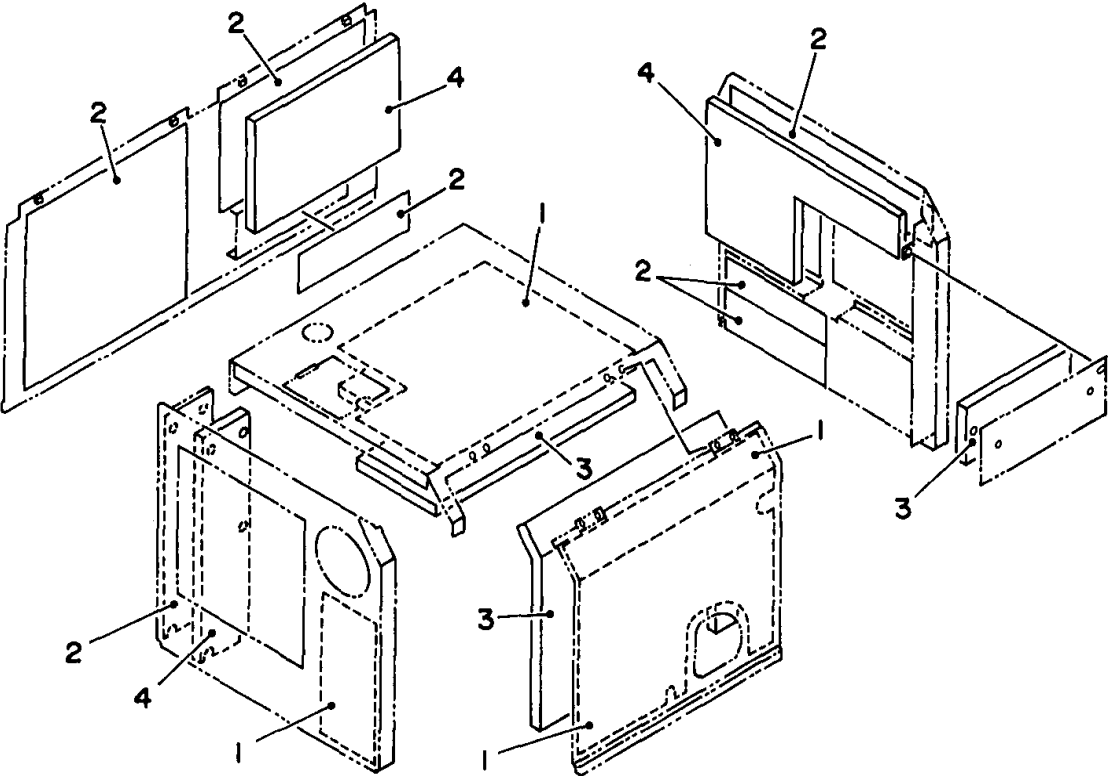
BONNET (REAR)



Ref. No.	Part Number	Description	Qty	Remarks
1	YFG-31813-17-50	BONNET COMP., REAR	1	
2	YF0-27515-00-80	NUT, FLANGE	2	
3	YF0-17545-08-16	BOLT, FLANGE	3	
4	YFG-31813-17-70	COVER, AIR CLEANER	1	
5	YF0-17545-06-12	BOLT, FLANGE	3	
6	YF1-89613-08-53	PLATE, STEM	1	
7	YF0-17545-06-12	BOLT, FLANGE	2	
8	YF0-17545-08-16	BOLT, FLANGE	2	
9	YFG-31813-05-40	ROOF COMP., ENGINE	1	
10	YFG-31813-02-80	COVER COMP., BONNET	1	
11	YF0-30245-04-10	SCREW, WITH WASHER	2	
12	YF1-89616-06-80	MAGNET, RUBBER	1	
13	YFG-31813-01-30	HOOK	1	
14	YF0-17545-08-16	BOLT, FLANGE	9	
15	YF0-17745-10-20	BOLT, FLANGE	2	
16	YFG-31813-00-50	DOOR COMP., BONNET	1	
17	YF1-89613-00-80	LEVER, HANDLE	1	
18	YF1-89613-00-30	WASHER, SET	1	
19	YF1-21785-64-10	SPRING, GOVERNOR	1	
20	YF1-89613-24-20	CLIP, PANEL	4	
21	YF0-17545-06-12	BOLT, FLANGE	4	
22	YFG-31813-08-60	COVER, SIDE BONNET	1	
23	YF0-17545-08-16	BOLT, FLANGE	11	
24	YF1-89613-15-30	CUSHION, DOOR	1	
25	YF1-89614-03-00	SPONGE	4	

7NF1100-3190

RUBBER PAD

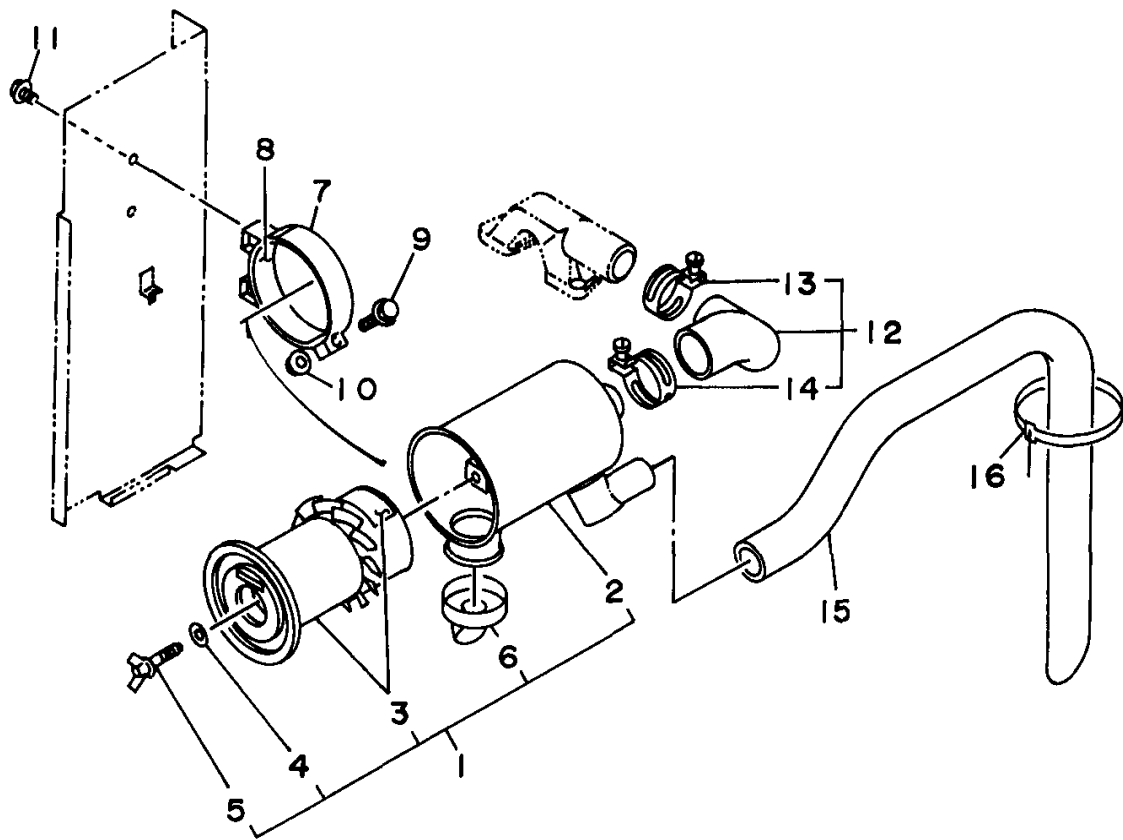


Ref. No.	Part Number	Description	Qty	Remarks
1	YF1-89614-06-00	NOISE ABSORBER KIT 1	1	
2	YF1-89614-07-00	NOISE ABSORBER KIT 2	1	
3	YF1-89614-01-00	NOISE ABSORBER KIT 3	1	
4	YF1-89614-02-00	NOISE ABSORBER KIT 4	1	

NOTE : IN THE ABOVE ILLUSTRATION, THE PARTS MARKED WITH THE SAME NUMBER ARE ALL INCLUDED IN THE SAME KIT. EACH PART IS NOT AVAILABLE INDIVIDUALLY.

7NF1100-3200

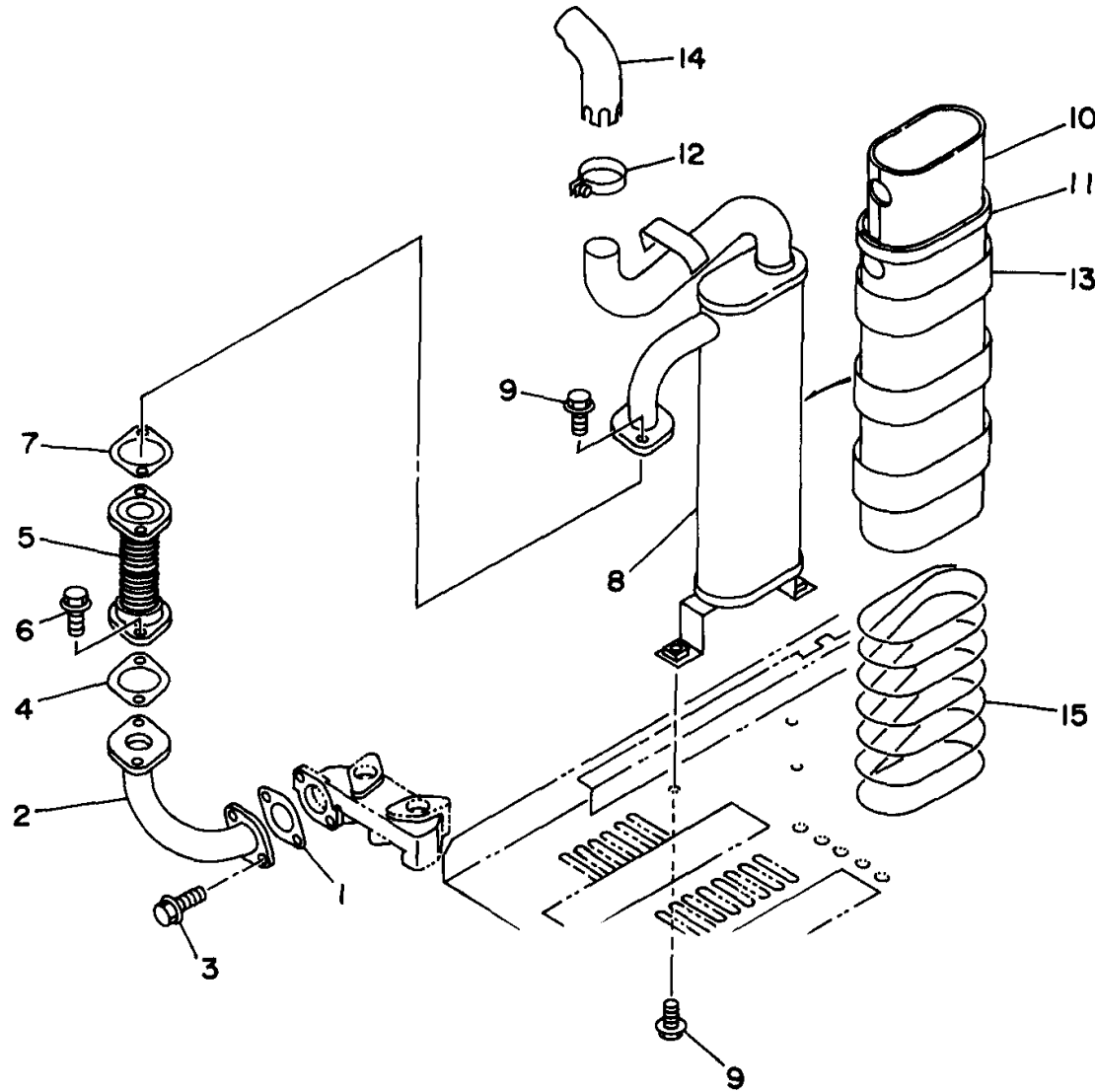
AIR CLEANER



Ref. No.	Part Number	Description	Qty	Remarks
1	YF1-89611-10-10	CLEANER ASSEMBLY, AIR ...	1	
2	YF1-89611-11-50	. BODY, AIR CLEANER	1	
3	YF1-58521-10-80	. ELEMENT ASSEMBLY, CLEANER	1	
4	YF1-52219-44-30	. WASHER, WITH RUBBER ...	1	
5	YF1-52219-26-20	. BOLT, WING	1	
6	YF1-58521-14-70	. VALVE	1	
7	YF1-89611-12-52	BAND, AIR CLEANER	1	
8	YF1-53711-18-70	CUSHION	1	
9	YF0-17545-08-40	BOLT, FLANGE	1	
10	YF0-27515-00-80	NUT, FLANGE	1	
11	YF0-17545-08-12	BOLT, FLANGE	2	
12	YF1-89611-16-40	PIPE ASSEMBLY, INLET	1	
13	YF1-52611-17-20	. BAND, PIPE	1	
14	YF1-52211-17-20	. BAND, PIPE	1	
15	YF1-89611-16-70	PIPE, INLET	1	
16	YF5-53114-12-60	BAND, CORD	1	

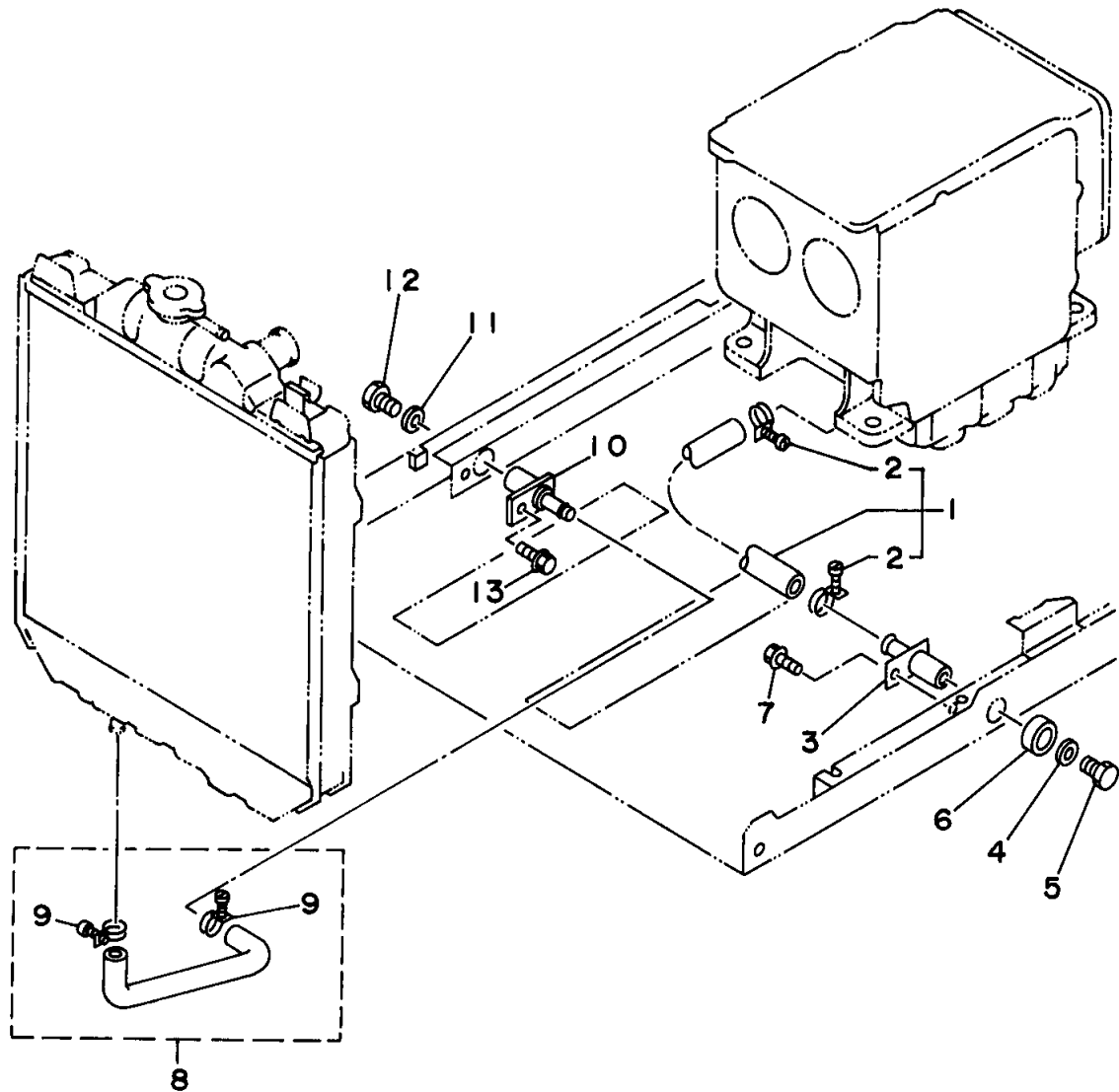
7NF1100-3210

EXHAUST



Ref. No.	Part Number	Description	Qty	Remarks
1	YFG-31811-22-30	GASKET, MUFFLER	1	
2	YF1-89611-24-00	PIPE, EXHAUST	1	
3	YF0-17545-08-16	BOLT, FLANGE	2	
4	YFG-31811-22-40	GASKET, MUFFLER	1	
5	YF1-89611-24-10	TUBE, FLEXIBLE	1	
6	YF0-17545-08-16	BOLT, FLANGE	2	
7	YFG-31811-22-40	GASKET, MUFFLER	1	
8	YF1-89611-21-10	MUFFLER COMP.	1	
9	YF0-17545-08-16	BOLT, FLANGE	4	
10	YF1-89611-26-20	SHEET, MUFFLER	1	
11	YF1-89611-26-30	SHEET, MUFFLER	1	
12	YF1-44311-24-30	BAND PIPE	1	
13	YF1-89611-26-60	TAPE	3	
14	YF1-44311-23-10	PIPE, MUFFLER	1	
15	NOT-AVAILABLE	WIRE	5	0.8MM-900 *LM

7NF1100-3220

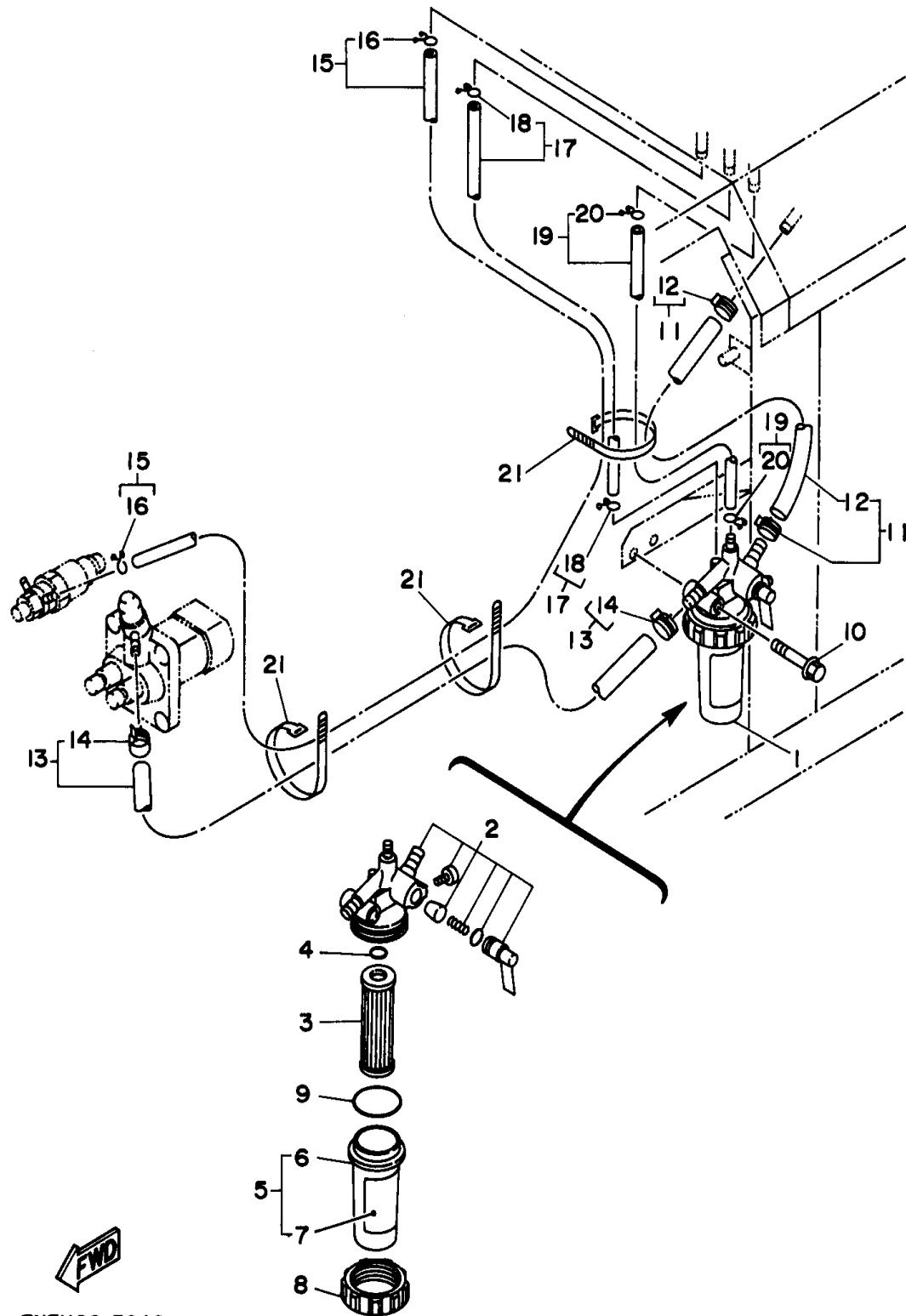


DRAIN PIPE

Ref. No.	Part Number	Description	Qty	Remarks
1	YF1-89613-18-42	PIPE ASSEMBLY, DRAIN	1	
2	YF0-93188-90-20	. CLAMP, HOSE	2	
3	YF1-89613-18-10	JOINT, PIPE	1	
4	YF0-47140-01-20	GASKET	1	
5	YF0-63314-50-12	PLUG	1	
6	YF1-89613-12-10	BUSH, RUBBER	1	
7	YF0-17545-08-16	BOLT, FLANGE	1	
8	YF1-89613-18-20	PIPE ASSEMBLY, WATER	1	
9	YF0-93188-90-20	. CLAMP, HOSE	2	
10	YF1-89613-18-00	JOINT, WATER PIPE	1	
11	YF0-47140-01-20	GASKET	1	
12	YF0-63314-50-12	PLUG	1	
13	YF0-17545-08-16	BOLT, FLANGE	1	

7NF1100-3230

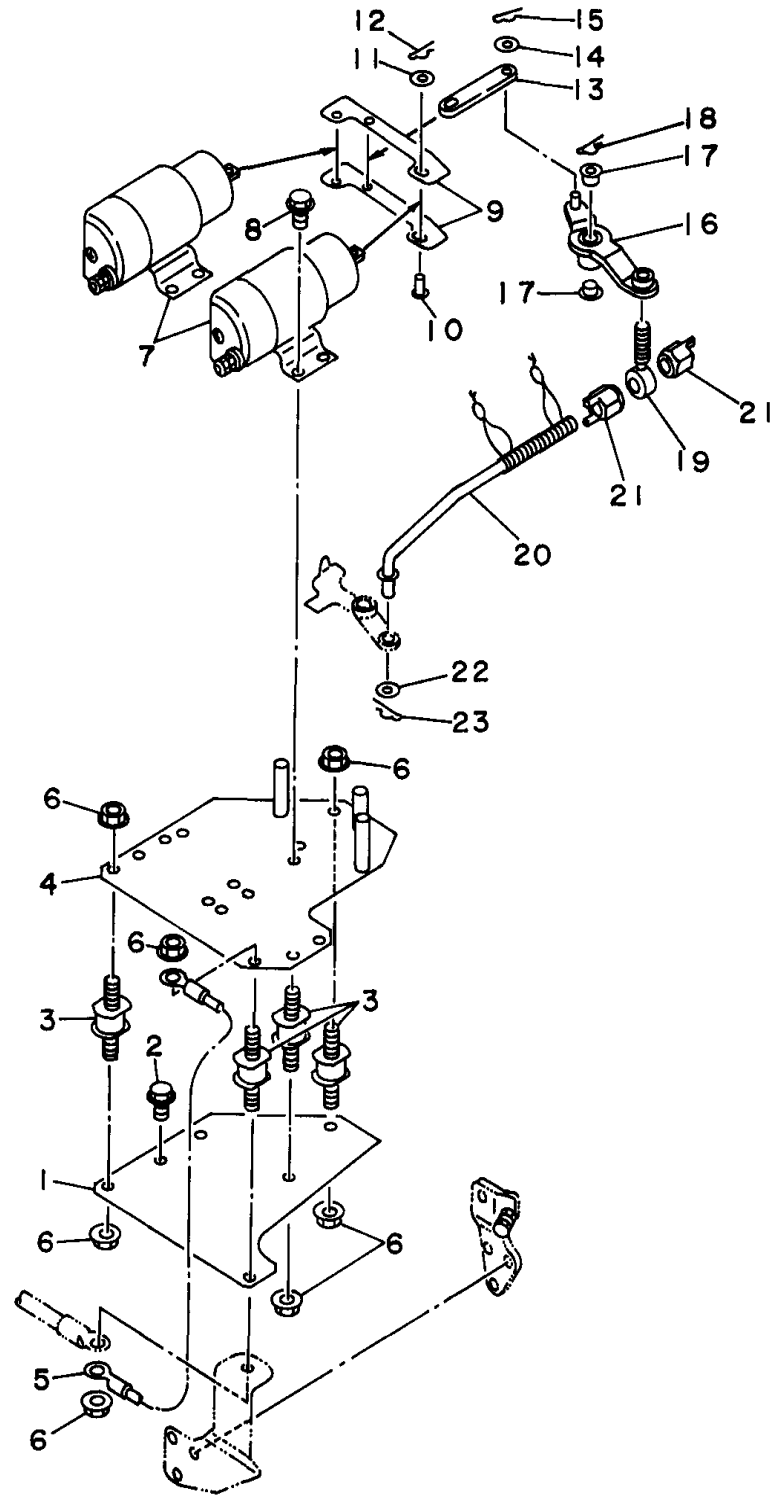
FUEL FILTER



Ref. No.	Part Number	Description	Qty	Remarks
1	YF1-79094-30-14	FILTER ASSEMBLY, FUEL ...	1	
2	YF1-49114-35-13	BODY COMP., FILTER	1	
3	YF1-52314-35-63	ELEMENT ASSEMBLY (YF1-52314-35-60)	1	
4	YF0-48110-01-00	O-RING, FILTER (YF1-43014-35-71)	1	
5	YF1-79094-30-73	CUP COMP., FILTER	1	
6	YF1-53934-35-81	CUP, FILTER	1	
7	YF1-91648-84-30	LABEL, FUEL FILTER	1	
8	YF1-43014-35-91	RING, RETAINING (YF1-43014-35-90)	1	
9	YF1-43014-36-51	O-RING, FILTER (YF1-43014-36-50)	1	
10	YF0-17545-08-40	BOLT, FLANGE	1	
11	YF1-89614-25-00	PIPE TF ASSEMBLY, FUEL ...	1	
12	YF1-49114-27-50	. CLIP, PIPE	2	
13	YF1-89614-25-50	PIPE TF ASSEMBLY, FUEL ...	1	
14	YF1-49114-27-50	. CLIP, PIPE	2	
15	YF1-89614-27-00	PIPE ASSEMBLY, RETURN ...	1	
16	YF1-49714-27-50	. CLIP, PIPE	2	
17	YF1-89614-27-50	PIPE, AIR VENT (S)	1	
18	YF1-49714-27-50	. CLIP, PIPE	2	
19	YF1-89614-28-00	PIPE, AIR VENT (L)	1	
20	YF1-49714-27-50	CLIP, PIPE	2	
21	YF1-84116-05-70	BINDER	3	

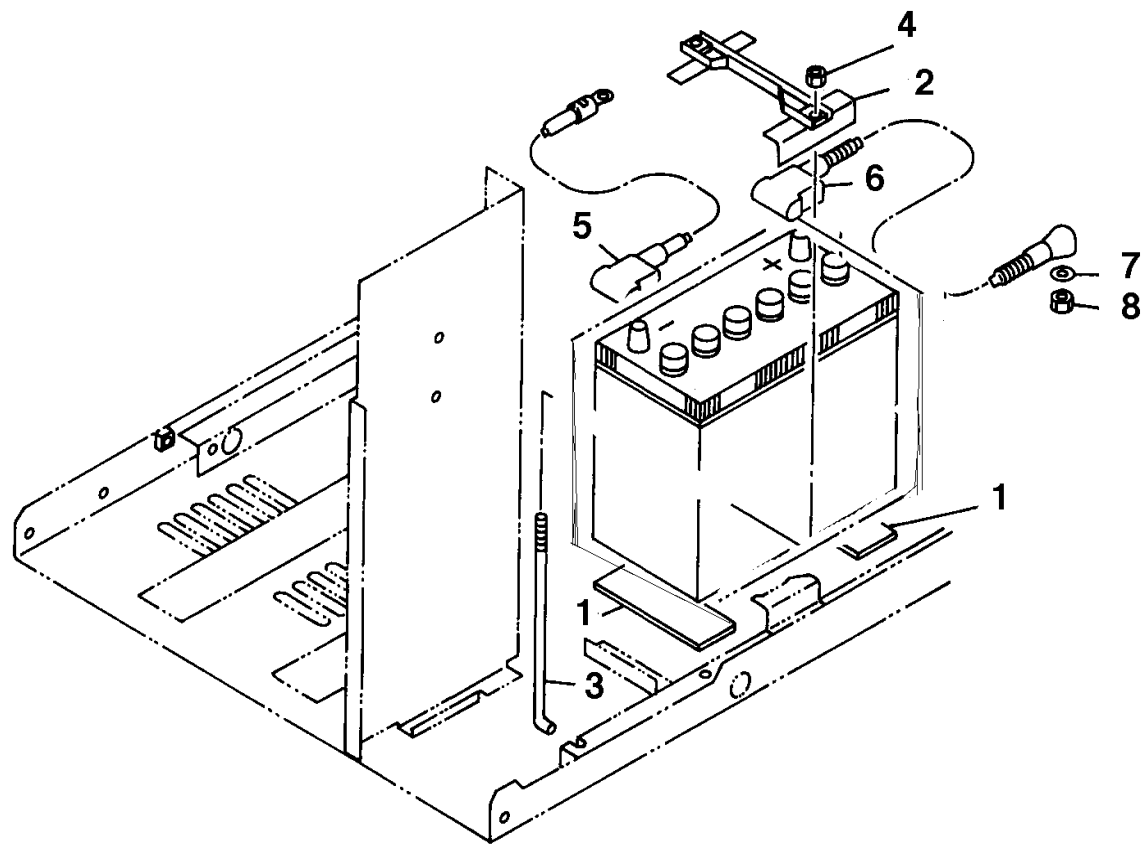

7NF1100-3240

SOLENOID



Ref. No.	Part Number	Description	Qty	Remarks
1	YF1-89611-51-20	BASE, ADAPTER	1	
2	YF0-17545-06-12	BOLT, FLANGE	2	
3	YF1-49114-14-10	CUSHION	4	
4	YF1-89611-51-12	BASE, SOLENOID	1	
5	YF1-87030-44-50	CORD	1	
6	YF0-27515-00-80	NUT, FLANGE	8	
7	YF1-89011-51-00	SOLENOID ASSEMBLY	2	
8	YF0-17545-06-12	BOLT, FLANGE	8	
9	YF1-89611-56-10	LINK	2	
10	YF0-51125-06-16	PIN, JOINT	3	
11	92990-06200-00	WASHER, PLAIN	3	
12	YF0-55255-06-00	PIN, SNAP	3	
13	YF1-89611-56-40	LINK	1	
14	92990-06200-00	WASHER, PLAIN	1	
15	YF0-55255-06-00	PIN, SNAP	1	
16	YF1-89611-55-80	LEVER, ACCEL.	1	
17	YF1-89611-57-00	BEARING, SLEEVE	2	
18	YF0-55255-08-00	PIN, SNAP	1	
19	YF3-13512-43-10	SCREW, ROD-END R.H	1	
20	YF1-89611-55-50	ROD, ACCEL.	1	
21	YF1-89011-55-10	NUT	2	
22	YK0-40135-00-80	WASHER, PLAIN (YF0-40135-00-80)	1	
23	YF0-55255-08-00	PIN, SNAP	1	

7NF1100-3250

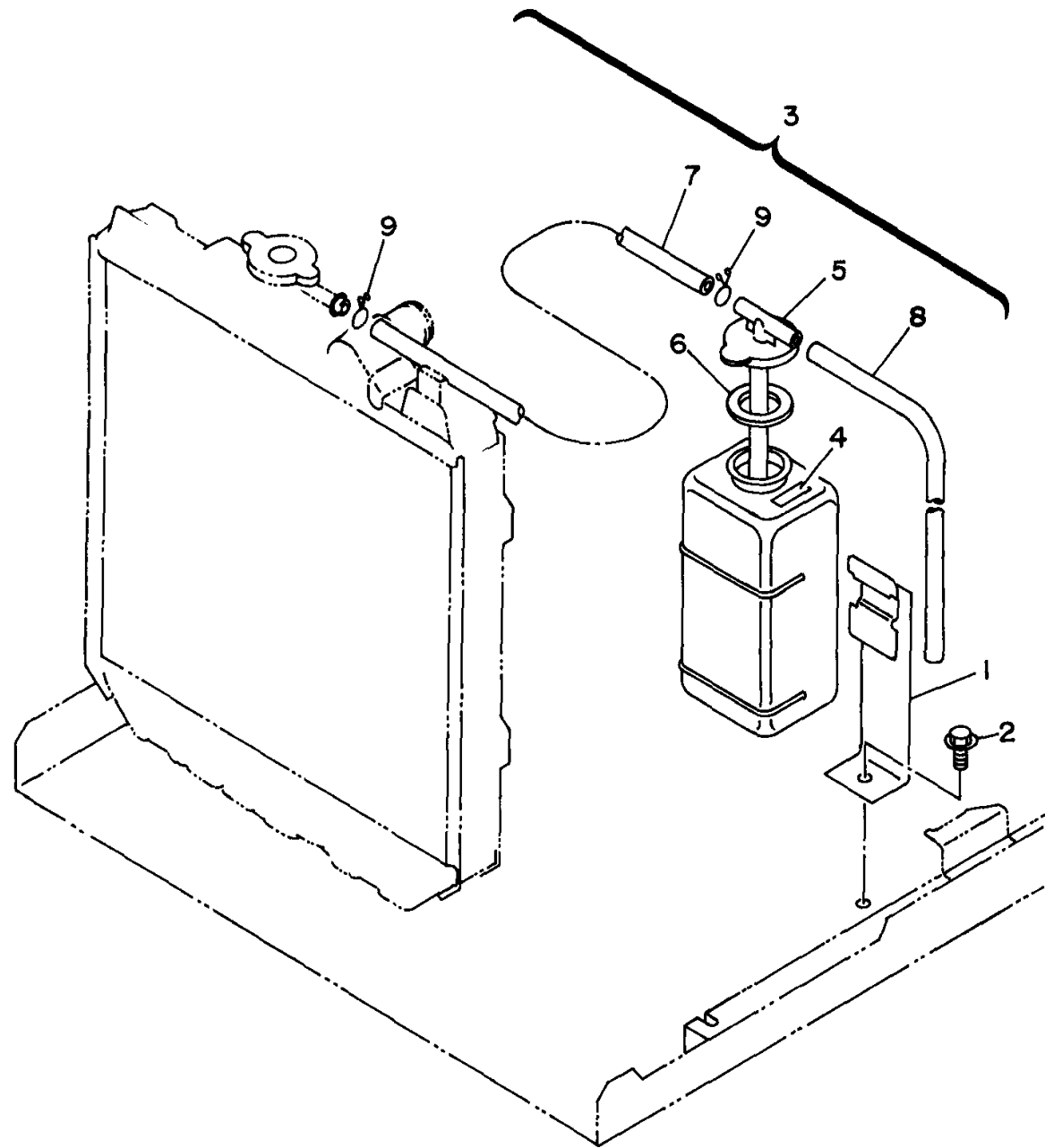


BATTERY

Ref. No.	Part Number	Description	Qty	Remarks
1	YF1-89013-12-00	CUSHION, BATTERY	2	
2	YF1-89613-32-70	RETAINER, BATTERY	1	
3	YF1-89613-32-90	BOLT, BATTERY	1	
4	95380-06600-00	. NUT, HEXAGON	2	
5	YF1-89614-17-20	CORD, EARTH	1	
6	YF1-89616-55-60	CORD, BATTERY	1	
7	92902-08100-00	. WASHER, SPRING	1	
8	YF0-20565-00-80	NUT	1	

7NF1100-3260

RESERVE TANK

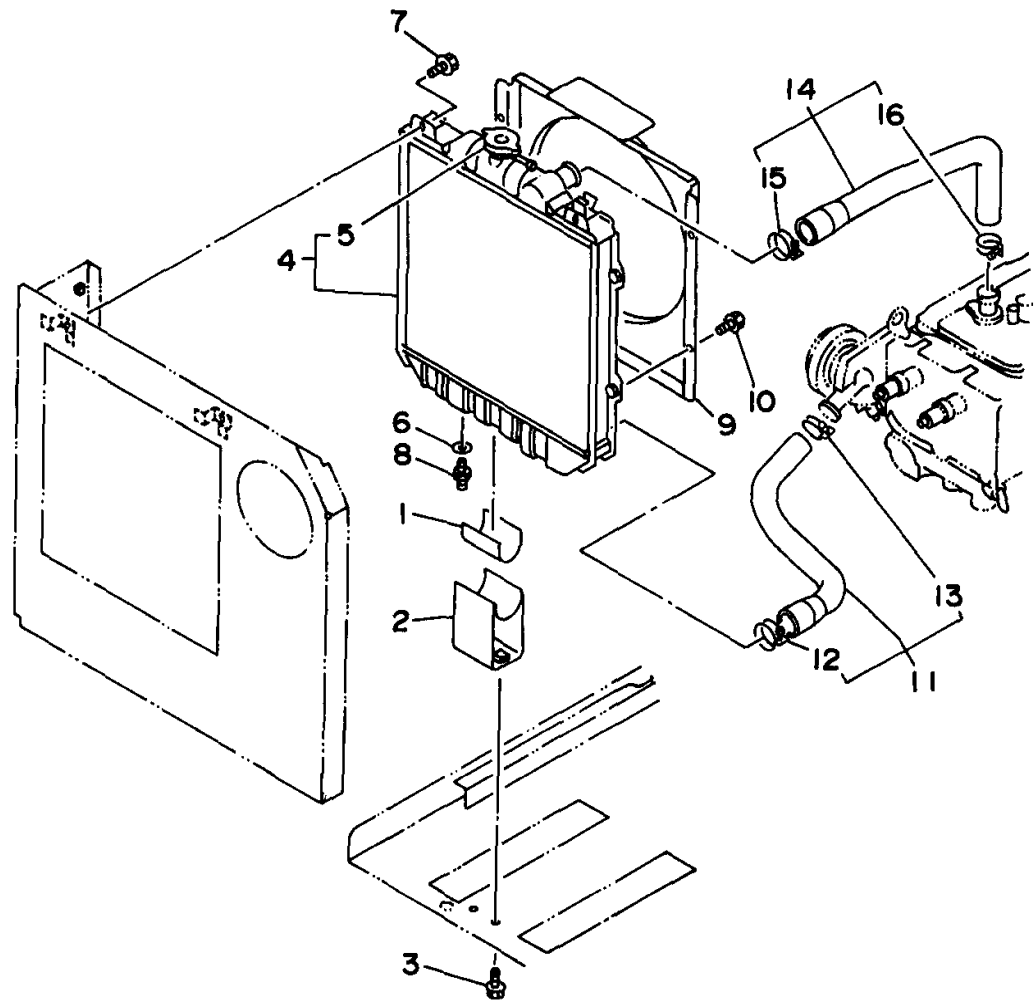


Ref. No.	Part Number	Description	Qty	Remarks
1	YF1-89617-24-60	SUPPORT, RESERVE TANK ..	1	
2	YF0-17545-08-16	BOLT, FLANGE	1	
3	YF1-55317-24-02	TANK ASSEMBLY, RESERVE .	1	
4	YF1-55018-82-10	. LABEL, CAUTION	1	
5	YF1-55317-24-22	. CAP	1	
6	YF1-55317-24-32	. GASKET	1	
7	YF1-54717-24-40	. PIPE, WATER 2	1	
8	YF1-55317-24-42	. PIPE, WATER OVER FLOW ..	1	
9	YF1-55017-24-70	. CLIP, PIPE	2	

7NF1100-3270

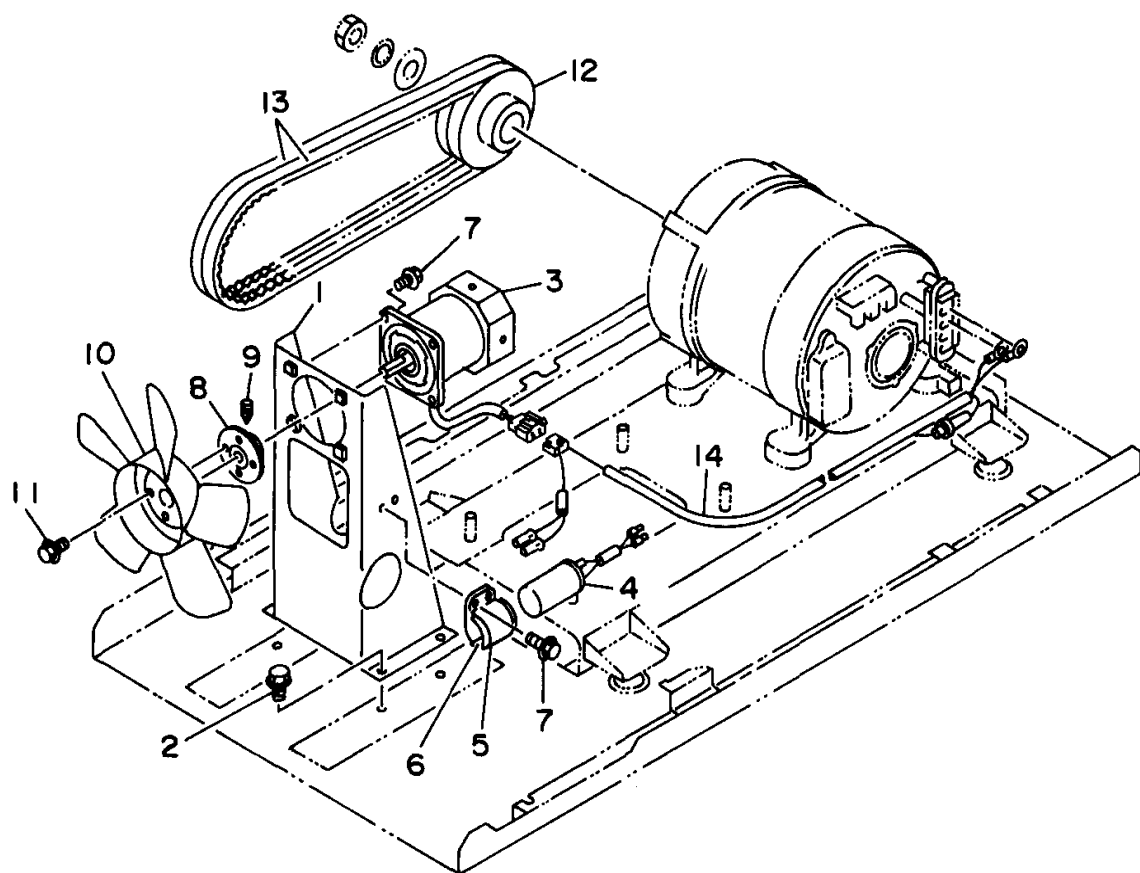
RADIATOR

Ref. No.	Part Number	Description	Qty	Remarks
1	YF1-89613-12-00	RUBBER, RADIATOR STOPPER	1	
2	YF1-89613-08-20	STOPPER, RADIATOR	1	
3	YF0-17545-08-16	BOLT, FLANGE	2	
4	YF1-89617-20-60	RADIATOR ASSEMBLY	1	
5	YF1-89617-20-20	. CAP ASSEMBLY	1	
6	YF1-52319-66-90	GASKET	1	
7	YF0-17545-06-12	BOLT, FLANGE	2	
8	YF1-89617-31-70	JOINT, RADIATOR PIPE	1	
9	YF1-89617-41-20	SHROUD, FAN	1	
10	YF0-17545-06-12	BOLT, FLANGE	4	
11	YF1-89617-28-50	PIPE ASSEMBLY, WATER (RP)	1	
12	YF0-93188-90-33	. CLAMP, HOSE	1	
13	YF0-93188-90-36	. CLAMP, HOSE	1	
14	YF1-89617-29-50	PIPE ASSEMBLY, WATER (ER)	1	
15	YF0-93188-90-33	. CLAMP, HOSE	1	
16	YF0-93188-90-36	. CLAMP, HOSE	1	



7FN5100-4280

COOLING FAN

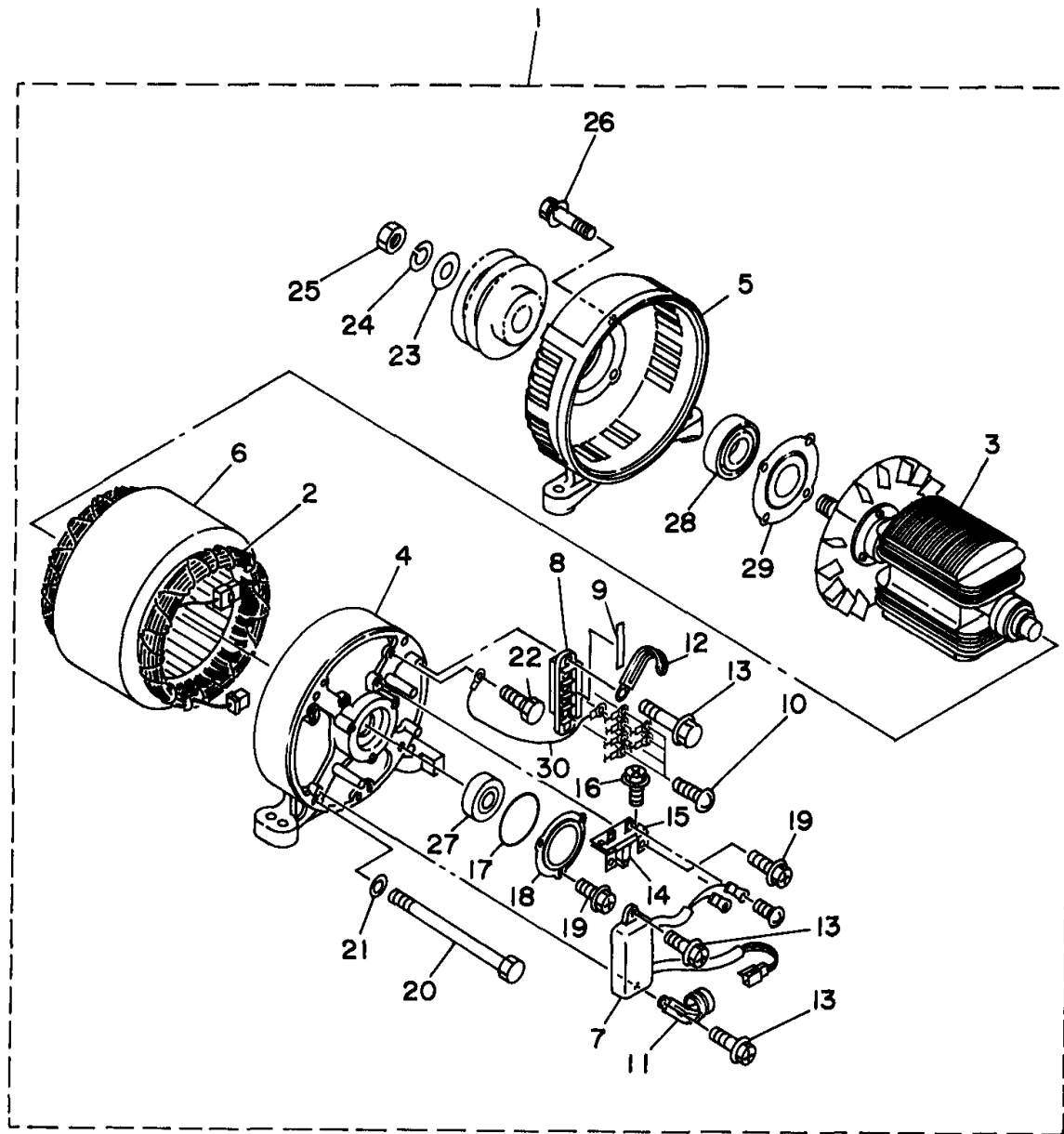


Ref. No.	Part Number	Description	Qty	Remarks
1	YF1-89613-12-80	STAND, MOTOR	1	
2	YF0-17545-08-16	BOLT, FLANGE	4	
3	YF1-89617-47-00	MOTOR ASSEMBLY (FAN 120V)	1	
4	YF1-89617-47-20	CONDENSER ASSEMBLY	1	
5	YF1-89617-46-50	BAND	1	
6	YF1-89617-46-60	CUSHION, CONDENSER	1	
7	YF0-17545-06-16	BOLT, FLANGE	6	
8	YF1-89617-41-50	FLANGE, FAN	1	
9	YF0-36505-06-12	SCREW, SET	1	
10	YF1-89617-41-10	FAN, COOLING	1	
11	YF0-17545-06-12	BOLT, FLANGE	4	
12	YF1-89611-09-00	V-PULLEY (110MM)	1	
13	YF1-89619-70-20	V-BELT	2	
14	YF1-89610-38-10	HARNESS, MOTOR	1	

7NF5100-4290

EDL6500S

GENERATOR

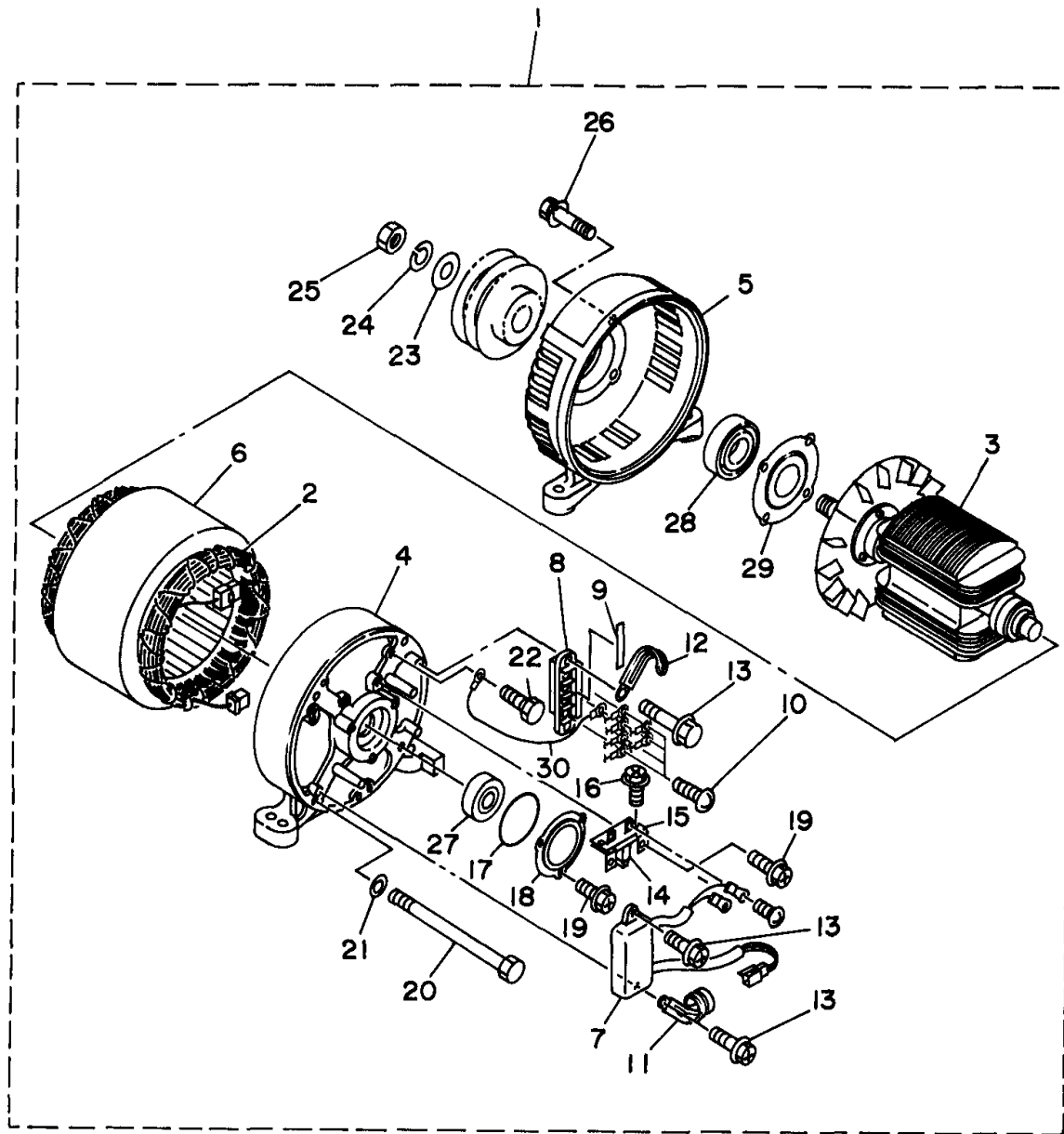


Ref. No.	Part Number	Description	Qty	Remarks
1	YF1-89610-21-50	GENERATOR ASSEMBLY	1	
2	YF1-89610-24-00	. STATOR ASSEMBLY	1	
3	YF1-89610-23-00	. ROTOR ASSEMBLY	1	
4	YF1-89610-26-10	. BRACKET, REAR	1	
5	YF1-89610-22-10	. BRACKET, FRONT	1	
6	YF1-89610-25-10	. BAND, COVER	1	
7	YF1-89610-28-00	. CONTROL ASSEMBLY (AVR)	1	
8	YF1-88011-07-50	. CONNECTOR	1	
9	YF1-87150-39-70	. MARK	1	
10	YF1-88130-43-90	. SCREW	8	
11	YF1-81030-28-50	. PLATE	1	
12	YF1-85510-28-80	. PLATE	1	
13	YF1-86090-29-40	. BOLT	4	
14	YF1-88010-27-00	. HOLDER ASSEMBLY, BRUSH	1	
15	YF1-89610-33-50	. SUPPORT, L	2	
16	YF1-88012-02-40	. BOLT	2	
17	YF1-88011-05-30	. O-RING	1	
18	YF1-89611-05-80	. COVER, BEARING	1	
19	YF1-89011-57-80	. SCREW	5	
20	YF1-88039-10-20	. BOLT	4	
21	YK0-40125-00-60	. WASHER, PLAIN (YF0-40125-00-60)	4	
22	YF1-88010-25-60	. BOLT	1	
23	YF1-88011-09-60	. WASHER	1	
24	YF1-88011-09-70	. WASHER, SPRING	1	
25	YF1-88011-09-50	. NUT	1	
26	YF1-88011-05-90	. BOLT	4	
27	YF1-88061-05-60	. BEARING, REAR	1	
28	YF1-89611-05-60	. BEARING, BALL	1	

CONTINUED ON NEXT FRAME ►

7NF5100-430I

GENERATOR

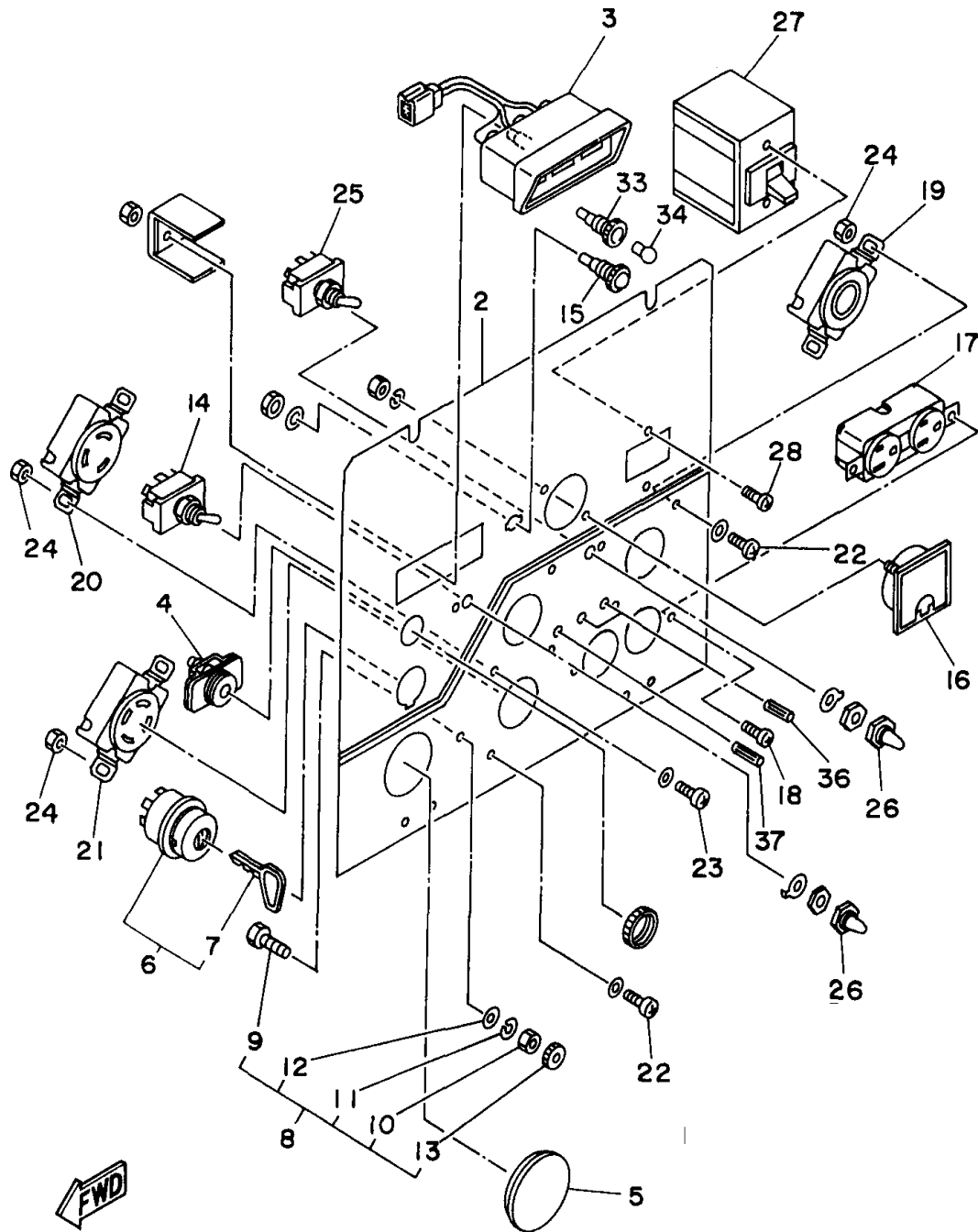


Ref. No.	Part Number	Description	Qty	Remarks
29	YF1-89010-35-80	. HOLDER	1	
30	YF1-89610-44-41	HARNESS NEUTRAL	1	

7NF5100-430I

CONTROL PANEL

Also includes the harness and other parts in the components of panel assy.



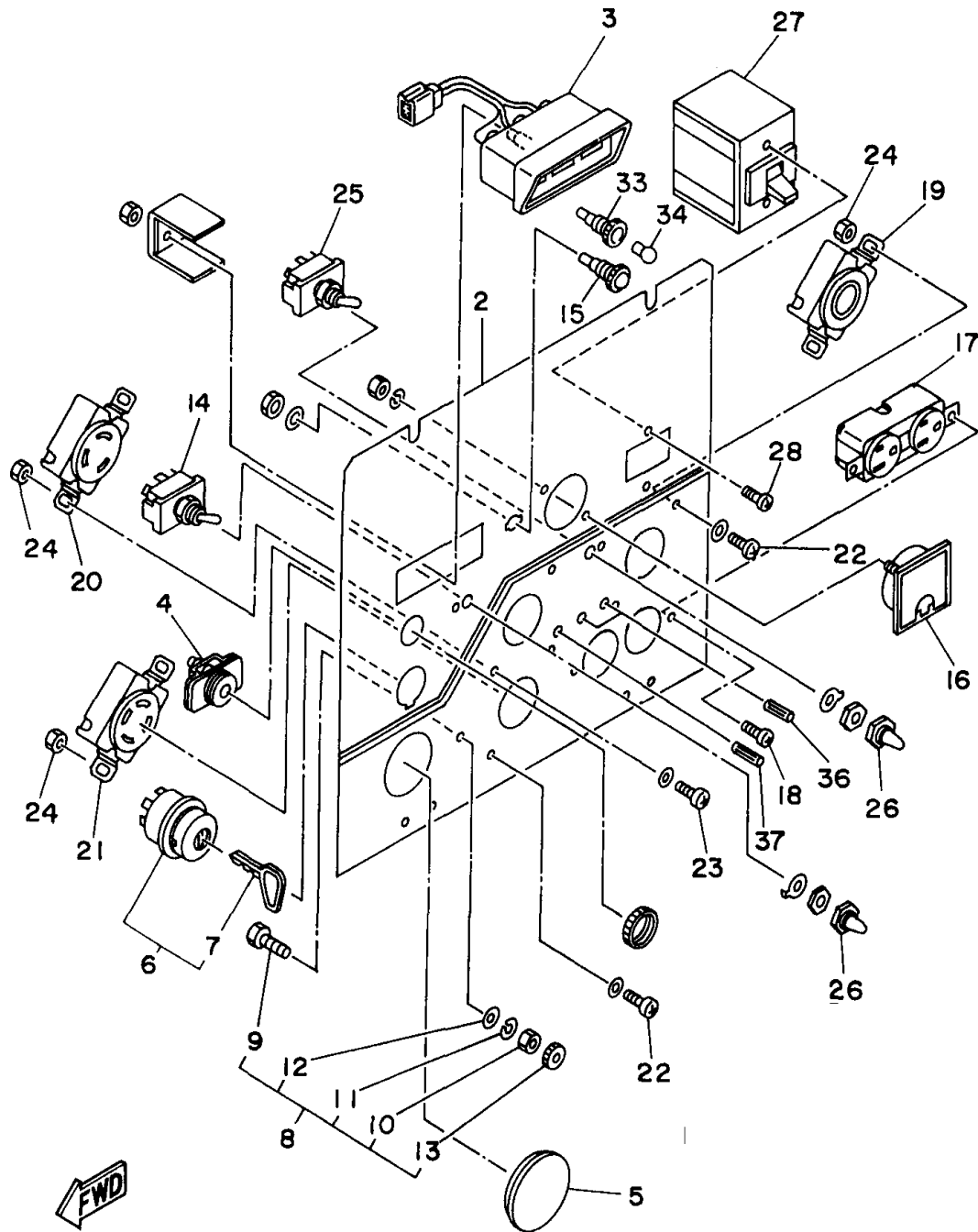
Ref. No.	Part Number	Description	Qty	Remarks
1	YFG-31810-31-50	PANEL ASSEMBLY, CONTROL	1	
2	YFG-31810-32-10	. PLATE, PANEL	1	
3	YF1-89610-34-20	. BOX, PILOT	1	
4	YF1-59516-59-51	. INDICATOR (YF1-59516-59-50)	1	
	YF5-21704-18-52	INDICATOR	1	
5	YF3-63308-74-70	. COVER, RUBBER	1	
6	YF1-53776-36-10	. SWITCH ASSEMBLY, STARTER	1	
7	YF6-67115-51-40	. . KEY, START	2	
8	YF1-89616-18-00	. BOLT, EARTH	1	
9	YF1-89616-18-00	. . BOLT, EARTH	1	
10	YF1-89616-18-30	. . NUT	1	
11	YK0-45125-00-60	. . WASHER, SPRING (YF0-45125-00-60)	1	
12	YK0-40125-00-60	. . WASHER, PLAIN (YF0-40125-00-60)	1	
13	YF1-89616-18-10	. . NUT	1	
14	YF1-89616-05-10	. SWITCH, TOGGLE	1	
15	YF1-89616-12-10	. LAMP ASSEMBLY, PILOT	1	
16	YF1-89610-35-50	. V-METER	1	
17	YF1-89610-32-50	. RECEPTACLE, TWIN (5-15R)	1	
	YF1-86200-34-32	. RECEPTACLE, TWIN (5.20R G.F.C)	1	
18	YF1-89619-64-00	. SCREW, WITH WASHER	2	
19	YF1-89610-34-32	. RECEPTACLE, L5-30R	1	
20	YF1-89610-33-80	. RECEPTACLE, L6-20R	1	
21	YF1-89610-34-02	. RECEPTACLE, L14-30R	1	
22	YF1-89619-64-00	. SCREW, WITH WASHER	5	
23	YF1-89619-64-10	. SCREW, WITH WASHER	1	
24	YF0-20545-00-40	. NUT	6	

CONTINUED ON NEXT FRAME ►

7NF5100-4311

CONTROL PANEL

Also includes the harness and other parts in the components of panel assy.



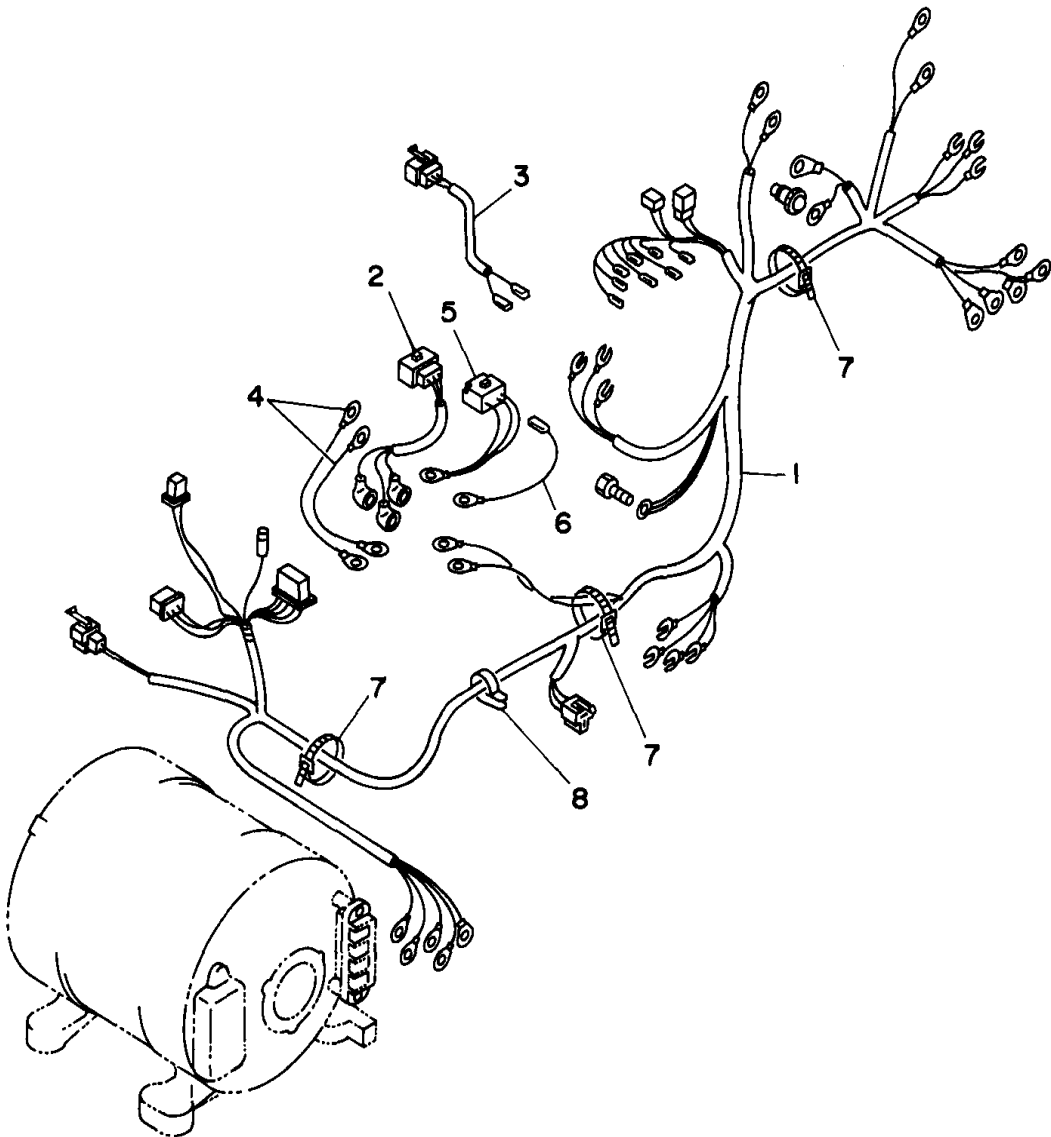
Ref. No.	Part Number	Description	Qty	Remarks
25	YF1-89610-38-70	. SWITCH, V (SELECT)	1	
26	YF1-89616-05-20	. CAP, WATERPROOF	2	
27	YF1-89610-35-10	. BREAKER (26.5A)	1	
28	YF1-89619-64-00	. SCREW, WITH WASHER	2	

7NF5100-4311

HARNESS (COMPONENTS OF PANEL ASSEMBLY)

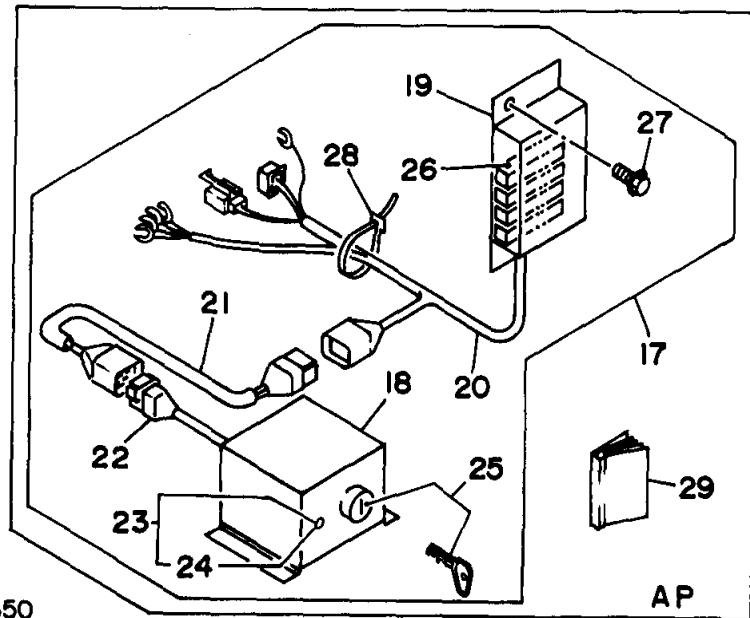
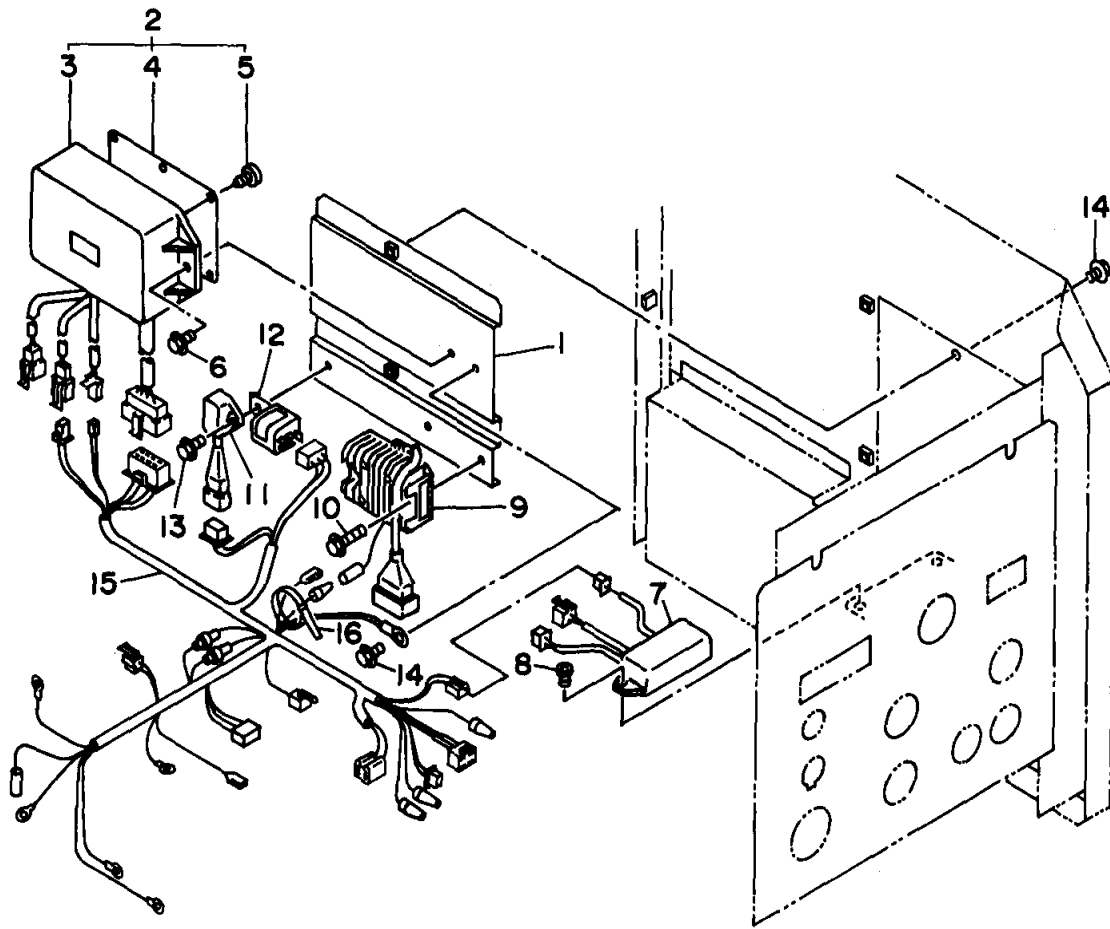
NOTE: The parts in this section are components of panel assy

Ref. No.	Part Number	Description	Qty	Remarks
1	YF1-89612-03-50	. HARNESS, PANEL 1S	1	
	YF1-89612-03-41	. HARNESS, PANEL 1S	1	
2	YF1-89612-03-60	. HARNESS, PANEL 3	1	
3	YF1-89612-03-70	. HARNESS, PANEL 4	1	
4	YF1-89612-03-80	. HARNESS, PANEL 6	2	
5	YF1-89612-03-90	. HARNESS, PANEL 7	1	
6	YF1-89612-04-10	. HARNESS, PANEL 8	1	
7	YF1-89016-05-70	. BINDER	7	
8	YF1-89612-04-90	. CLIP, NYLON (SN-12A)	1	



7NF5100-4340

EMERGENCY UNIT

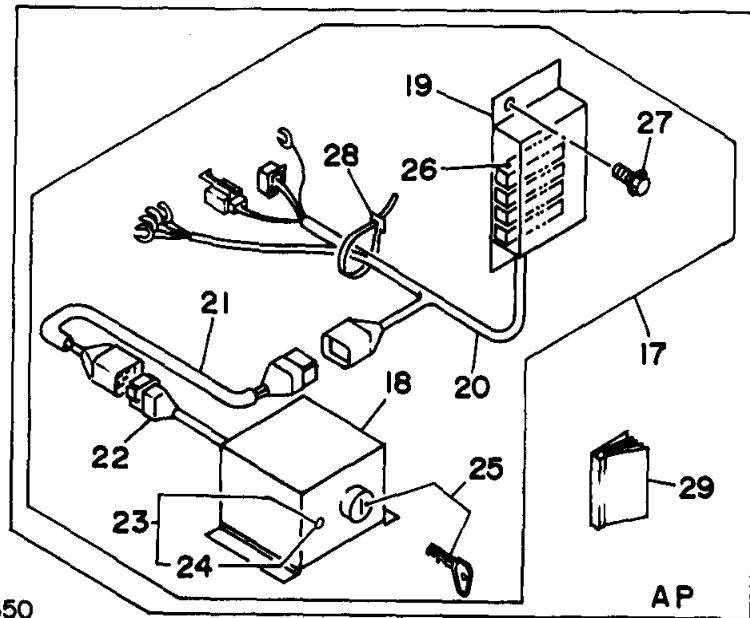
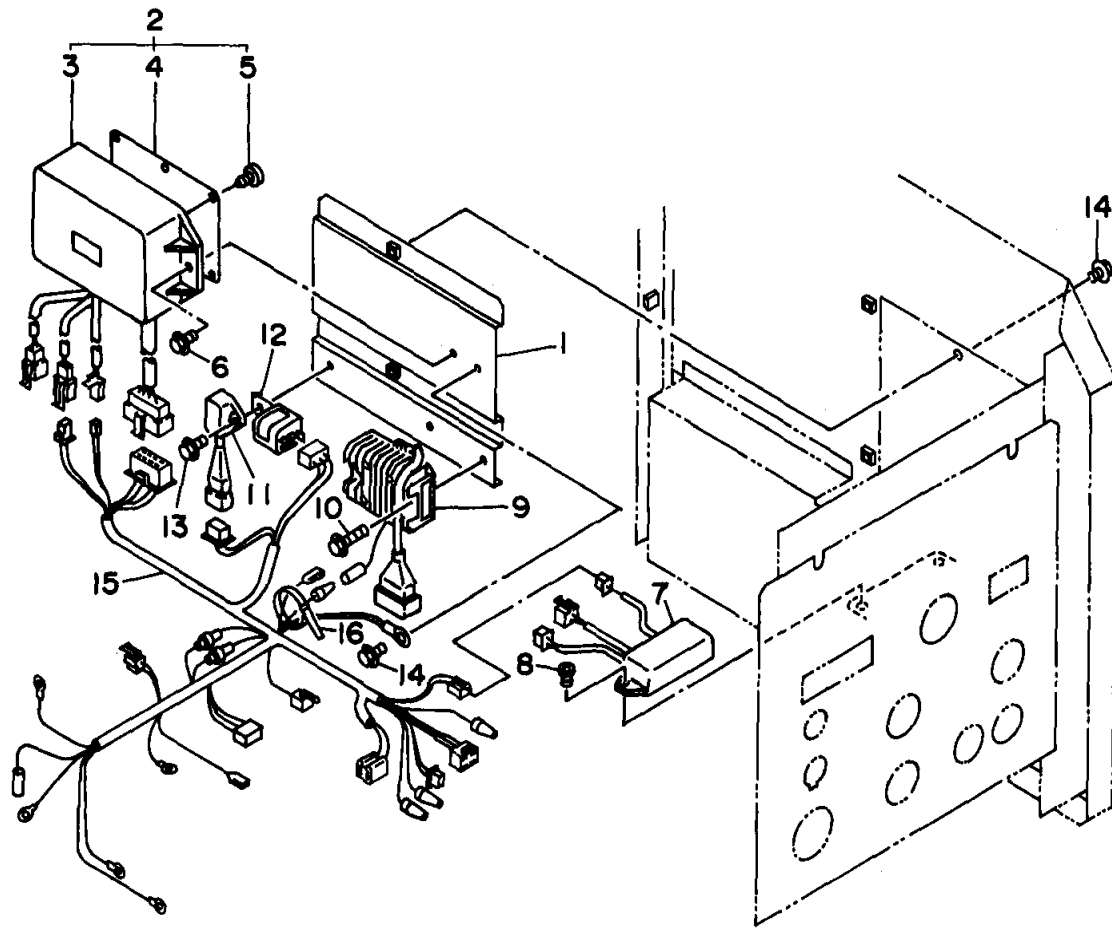


7NF5100-4350

Ref. No.	Part Number	Description	Qty	Remarks
1	YF1-89613-11-50	PLATE, UNIT	1	
2	YF1-89617-01-00	EMERGENCY UNIT	1	
3	YF1-89017-01-10	CASE	1	
4	YF1-89017-01-20	COVER	1	
5	YF1-89017-01-30	SCREW	6	
6	YF0-17545-06-12	BOLT, FLANGE	2	
7	YF1-89617-00-50	CONTROL ASSEMBLY (AC)	1	
8	YF0-30245-05-14	SCREW, WITH WASHER	2	
9	YF1-51816-46-02	REGULATOR COMP.	1	
10	YF0-17545-06-30	BOLT, FLANGE	2	
11	YF1-51816-01-90	UNIT	1	
12	YF1-51816-02-20	RELAY	1	
13	YF0-17545-06-12	BOLT, FLANGE	1	
14	YF0-17545-06-12	BOLT, FLANGE	3	
15	YF1-89610-38-00	WIRE HARNESS	1	
16	YF1-89016-05-70	BINDER	7	
17	YFG-31816-32-50	REMOTE CONTROL ASSEMBLY	1	AP
18	YFG-31816-32-60	. BOX, SWITCH	1	AP
19	YFG-31816-32-70	. BOX, RELAY	1	AP
20	YF1-89616-33-70	. HARNESS, RELAY BOX	1	AP
21	YF1-89616-33-20	. CABLE, REMOTE CONTROL	1	AP
22	YF1-89616-33-10	. HARNESS, SWITCH BOX	1	AP
23	YF1-89616-33-30	. LAMP ASSEMBLY	1	AP
24	YF1-89616-33-50	. BULB	1	AP
25	YF1-53776-36-10	. SWITCH ASSEMBLY, STARTER	1	AP
26	YF1-89616-33-80	. RELAY	4	AP
27	YF0-17545-06-16	. BOLT, FLANGE	2	AP

CONTINUED ON NEXT FRAME ►

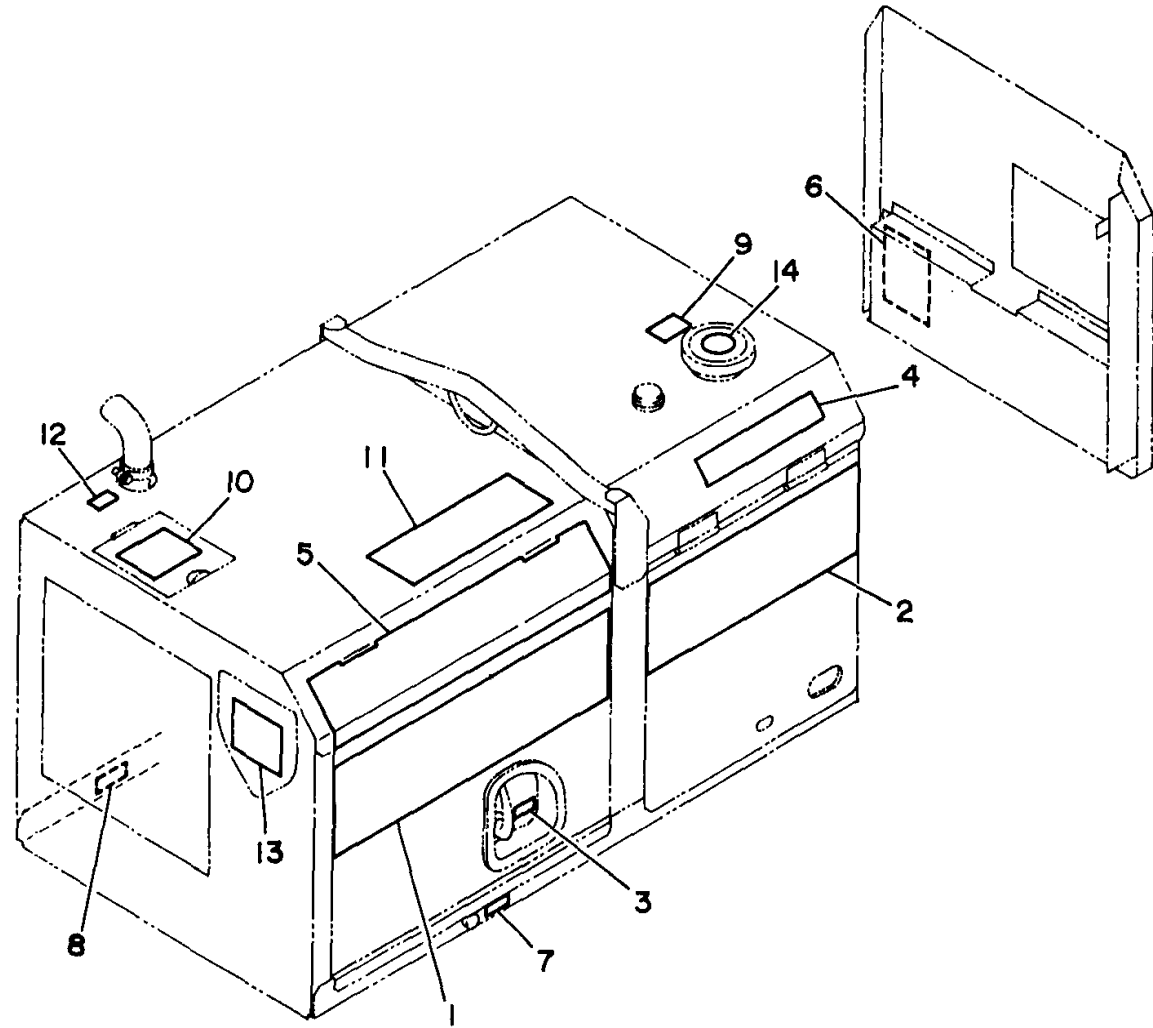
EMERGENCY UNIT



7NF5100-4350

Ref. No.	Part Number	Description	Qty	Remarks
28	YF1-89016-05-70	. BINDER	4	AP
29	YFG-31816-32-90	MANUAL, REMOTE CONTROL	1	

LABEL

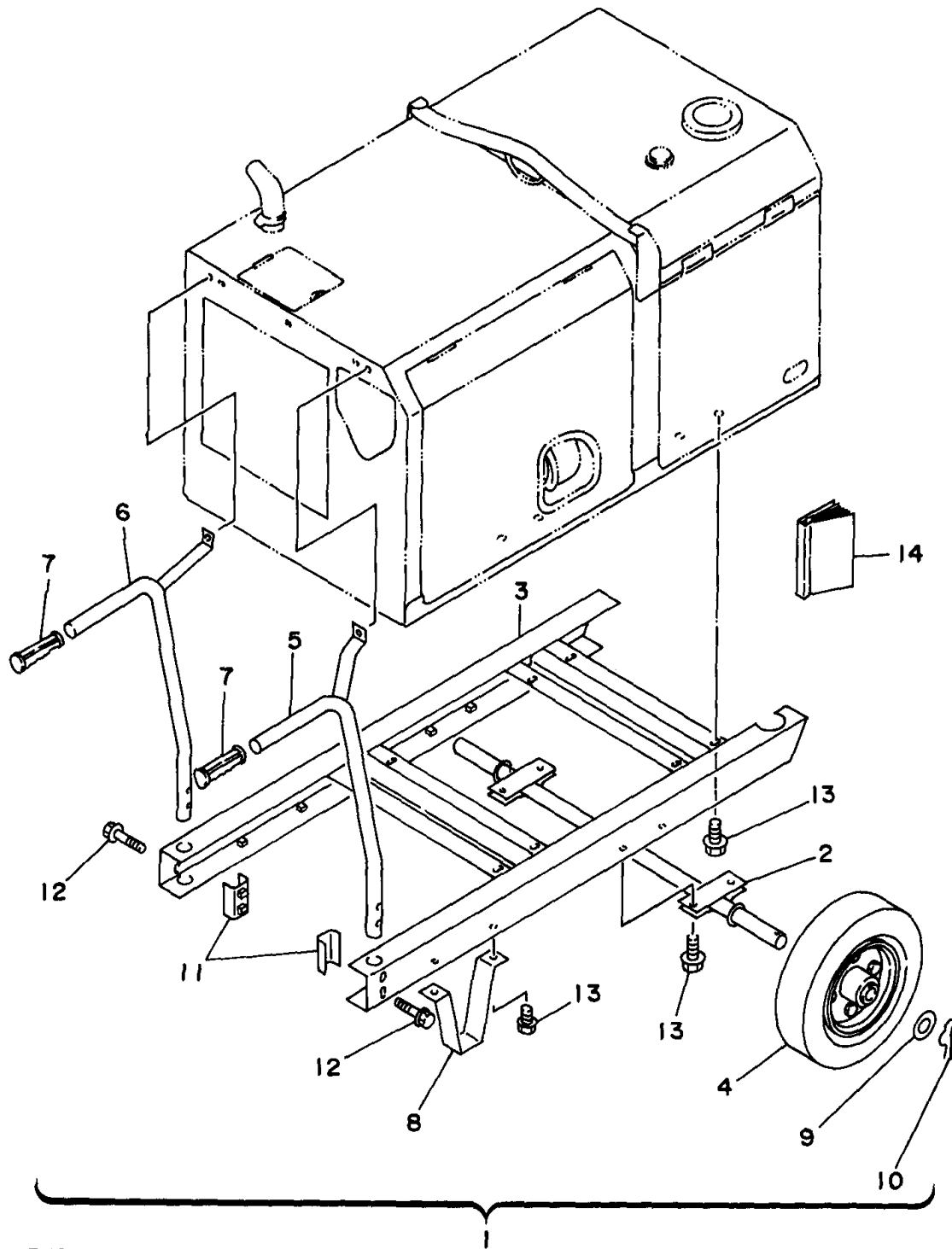


Ref. No.	Part Number	Description	Qty	Remarks
1	YFG-31815-11-10	MARK (YAMAHA EDL-E)	1	
2	YFG-31815-02-50	LABEL (EDL-E)	1	
3	YF1-89015-06-30	LABEL, HANDLE	1	
4	YFG-31815-00-00	MARK (EDL6500S)	1	
5	YFG-31815-06-00	MARK (DOOR EDL)	1	
6	YFG-31815-01-10	NAME PLATE (EDL65)	1	
7	YF1-89015-13-50	LABEL, DRAIN	1	
8	YF1-89615-13-50	LABEL, DRAIN	1	
9	YF1-89015-09-00	LABEL, FUEL	1	
10	YFG-31815-14-50	LABEL, RADIATOR (EDL-E)	1	
11	YFG-31815-12-10	LABEL, WARNING (EDL-E)	1	
12	YF1-89615-16-00	LABEL, EXHAUST	1	
	YF1-A0404-95-80	LABEL, EXHAUST	1	
13	YF1-89618-84-52	LABEL, AIR CLEANER	1	
14	YF3-69195-64-00	MARK, RED (FUEL CAP)	1	

7NFA100-5360

EDL6500S

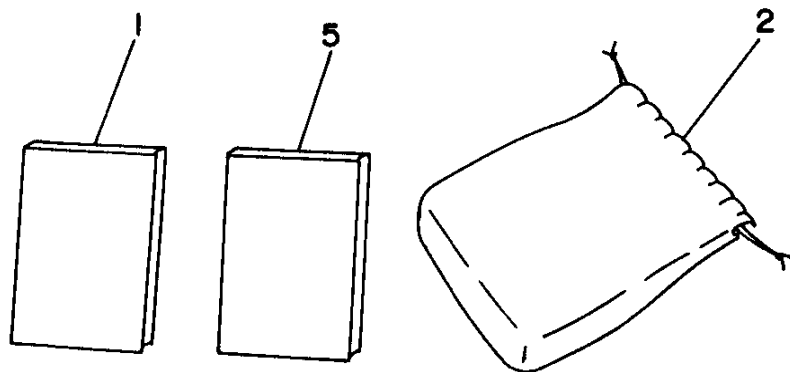
DOLLY (OPTIONAL PARTS)



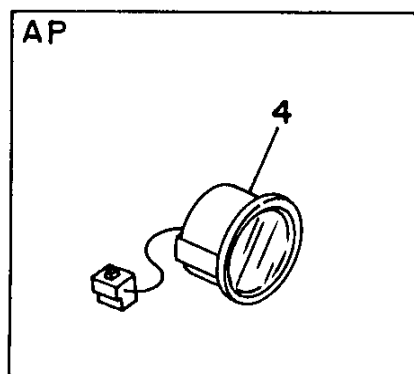
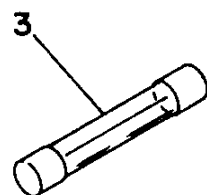
7NF1100-3370

Ref. No.	Part Number	Description	Qty	Remarks
1	YFG-31816-34-00	DOLLY ASSEMBLY, 2 WHEEL .	1	
2	YF1-89613-04-80	. AXLE COMP	1	
3	YF1-89616-34-10	. FRAME	1	
4	YF1-89613-04-70	. WHEEL 2	2	
5	YF1-89616-35-02	. HANDLE, R.H	1	
6	YF1-89616-35-52	. HANDLE, L.H	1	
7	YF6-41354-12-20	. GRIP, HANDLE	2	
8	YF1-89616-36-10	. STAND	2	
9	YF0-40115-02-50	. WASHER, PLAIN	2	
10	YF0-55155-16-00	. PIN, SNAP	2	
11	YF1-89616-36-20	. HOLDER	2	
12	YF0-17545-08-50	. BOLT, FLANGE	4	
13	YF0-17545-08-16	. BOLT, FLANGE	16	
14	YFG-31816-38-70	. MANUAL, WHEEL ASSEMBLY	1	

ACCESSORIES



Ref. No.	Part Number	Description	Qty	Remarks
1	YFG-31818-91-10	MANUAL, INSTRUCTION	1	
2	YF1-89018-60-10	TOOL KIT	1	
3	YF1-81080-34-80	FUSE	3	
4	YF1-89616-13-50	METER ASSEMBLY, HOUR ...	1	AP
5	YF1-89618-72-00	MANUAL INSTRUCTION	1	



7NFA100-5380