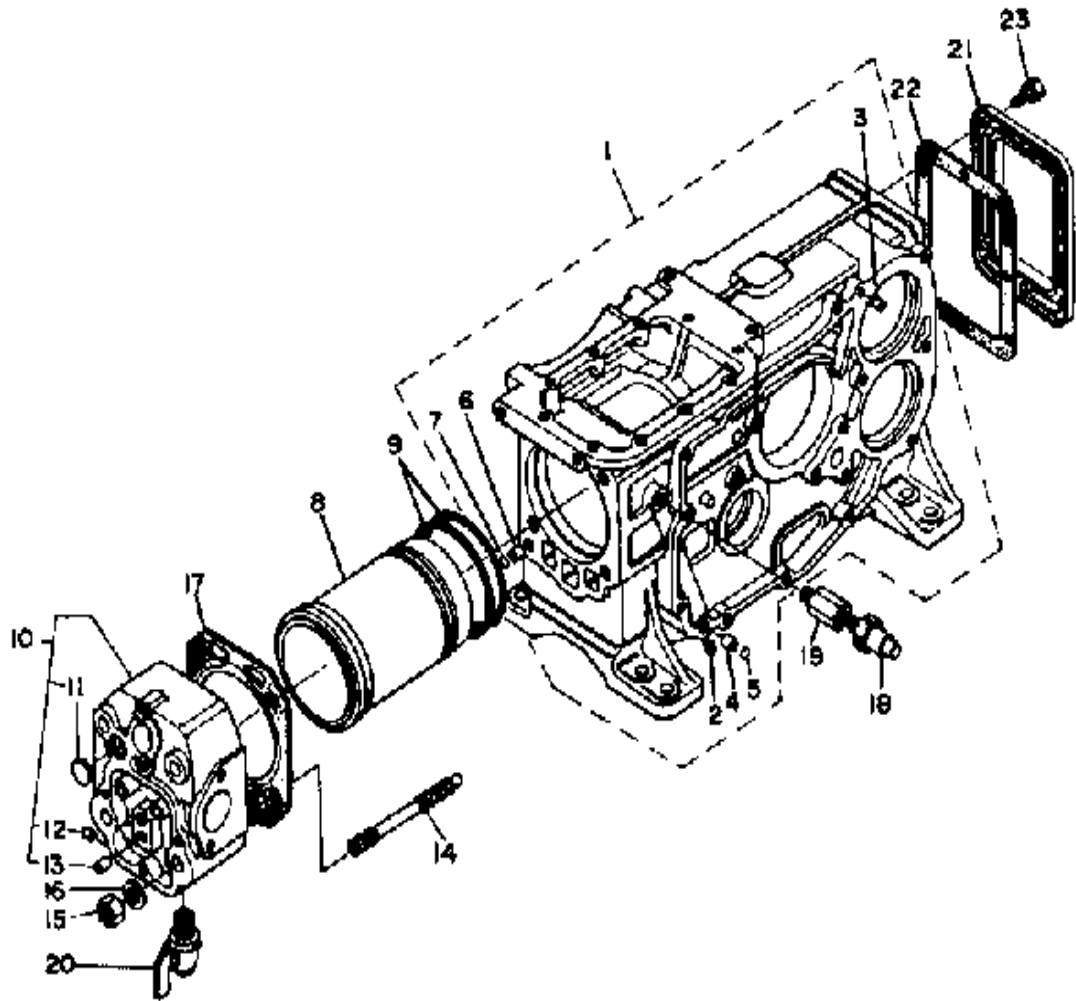




YAMAHA

**GENUINE
PARTS CATALOGUE
OUTDOOR POWER EQUIPMENT**

CRANKCASE

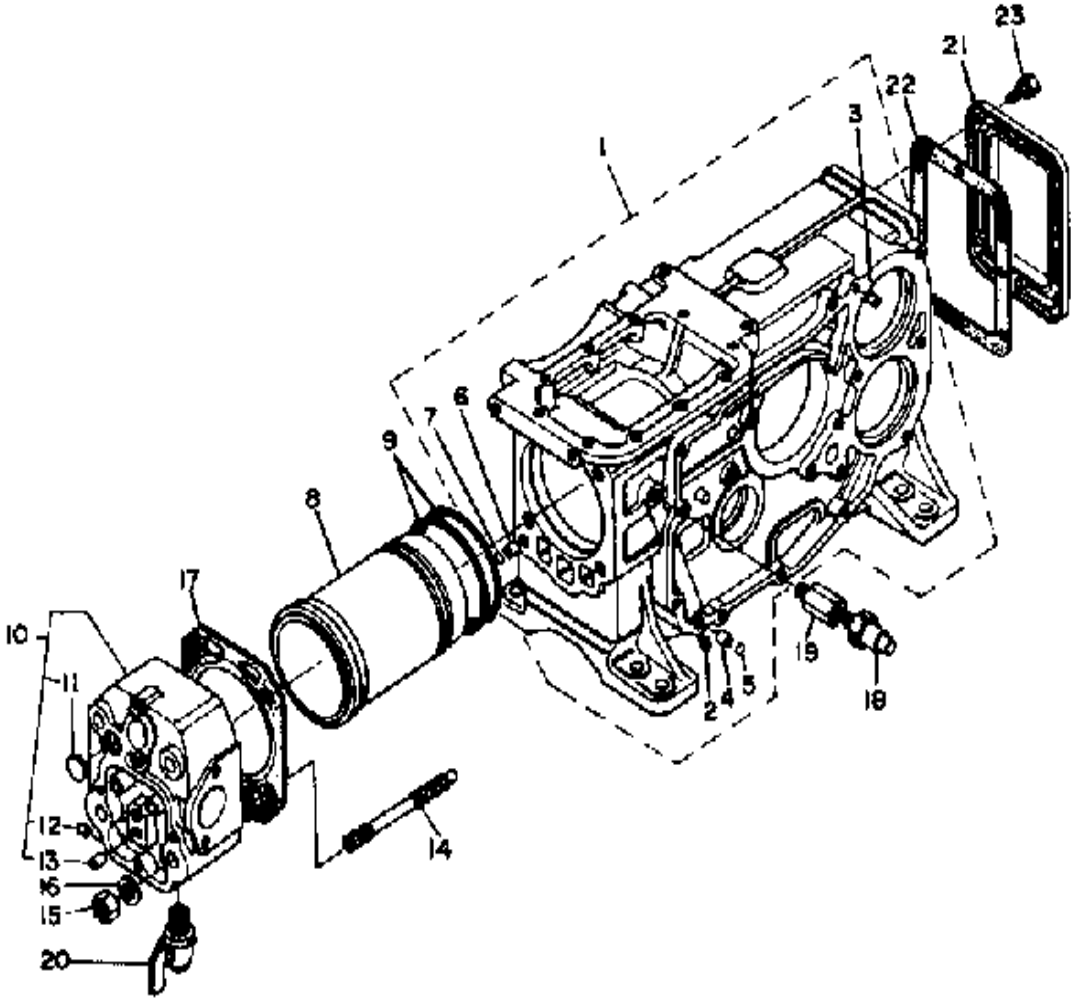


73T400-4010

Ref. No.	Part Number	Description	Qty	Remarks
1	YF1-79520-10-10	CRANKCASE ASS'Y	1	
	YF1-79540-10-10	CRANKCASE ASS'Y	1	
2	YF1-52619-60-11	.. PLUG, BLIND	2	
3	YF0-50120-06-12	.. PIN	1	
4	YF1-49119-49-31	.. PIN	1	
5	YF0-48110-00-80	.. O-RING (YF0-48110-00-80)	1	
6	YF1-43013-39-51	.. PIN	1	
7	YF0-48110-00-80	.. O-RING (YF0-48110-00-80)	1	
8	YF1-49010-23-12	LINER, CYLINDER	1	
	YF1-49310-23-12	LINER, CYLINDER	1	
9	YF1-43010-23-51	O-RING	2	
	YF1-49110-23-51	O-RING	2	
10	YF1-79540-30-40	CYLINDER HEAD ASSEMBLY	1	
	YF1-91030-30-42	CYLINDER HEAD ASSEMBLY	1	
11	YF0-63117-50-22	. PLUG, EXPANSION	1	
12	YF1-46819-68-50	.. PLUG, BLIND	2	
13	YK0-54110-06-12	.. PIN	1	
14	YF1-43510-34-13	STUD, HEAD	4	
	YF1-49110-34-12	STUD, HEAD	4	
15	YF1-43510-35-11	NUT, HEAD	4	
	YF1-49110-35-12	NUT	4	
16	(YF1-43510-35-42)	WASHER, PLAIN	4	
	YF1-51210-35-42	WASHER, PLAIN	4	
17	YF1-49110-35-12	NUT	1	
	YF1-49210-33-12	GASKET, HEAD	1	
18	YF1-46113-60-92	SIGNAL, OIL	1	
19	YF1-49213-61-10	HOLDER, OIL SIGNAL	1	
	YF1-79523-61-10	HOLDER, OIL SIGNAL	1	
20	YF1-43017-31-14	COCK, DRAIN	1	

CONTINUED ON NEXT FRAME ➤

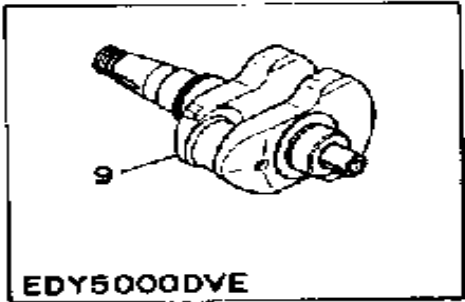
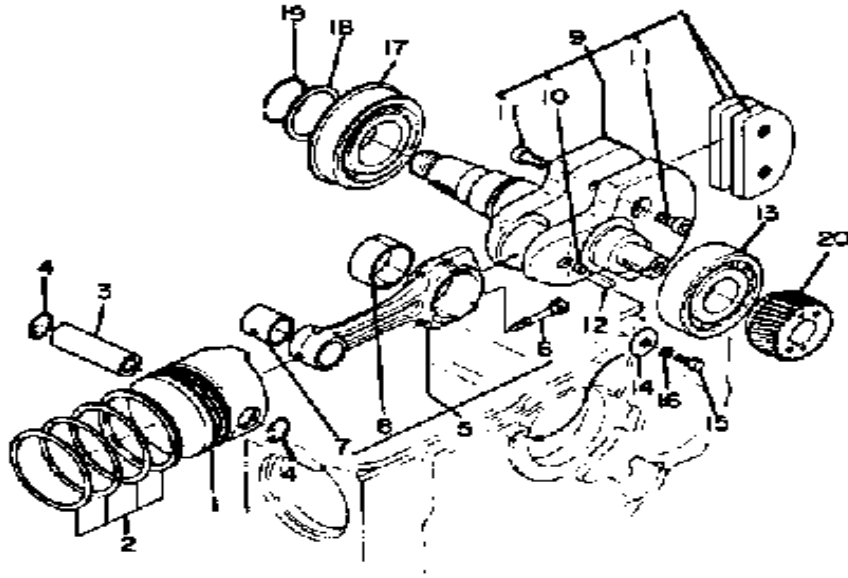
CRANKCASE



73T400-4010

Ref. No.	Part Number	Description	Qty	Remarks
21	YF1-79520-47-10	COVER, CRANKCASE	1	
22	YF1-49380-47-21	GASKET, CRNKCS CVR	1	
23	YK0-12025-06-12	BOLT	8	

CRANKSHAFT - PISTON

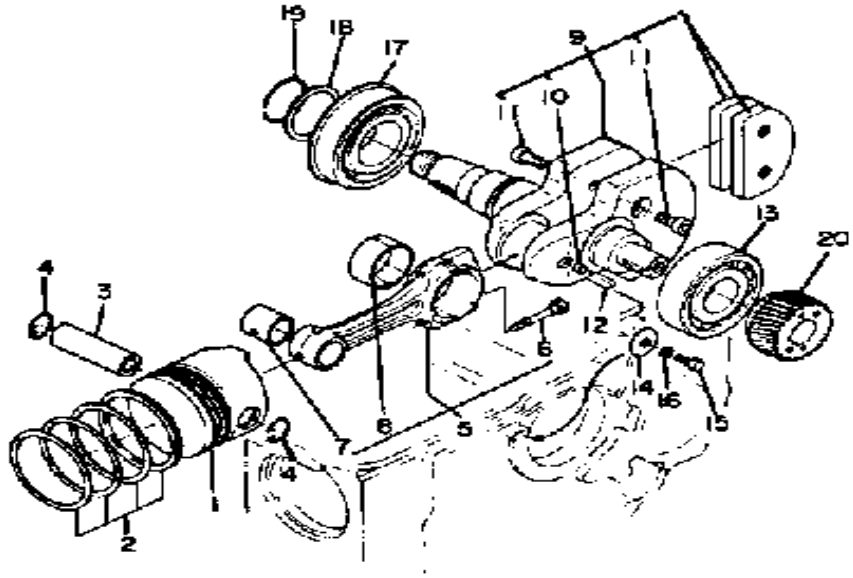


73W110-4080

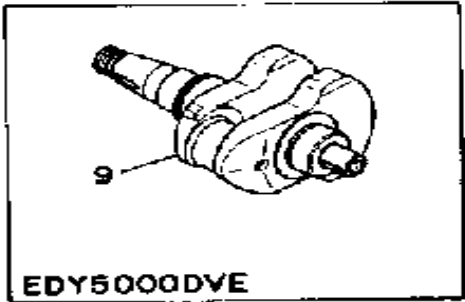
Ref. No.	Part Number	Description	Qty	Remarks
1	YF1-49012-11-11	PISTON	1	
	YF1-49312-11-11	PISTON	1	
2	YF1-49012-10-51	PISTON RING SET	1	
	YF1-49312-10-51	PISTON RING SET	1	
3	YF1-49012-13-11	PIN, PISTON	1	
	YF1-49212-13-11	PIN, PISTON	1	
4	YF1-41092-13-34	CIRCLIP, INTERNAL	2	
	YF1-49212-13-33	CIRCLIP, INTERNAL	2	
5	YF1-49112-20-12	CONNECTING ROD ASSEMBLY	1	
	YF1-49212-20-12	CONNECTING ROD ASSEMBLY	1	
6	YF1-43012-21-46	.. BOLT, CONECTNG RO	2	
	YF1-52312-21-41	.. BOLT, CONECTNG RO	2	
7	YF1-49212-19-80	. BUSHING, PISTON PIN (YF1-49212-13-50)	1	
8	YF1-49112-23-11	.. METAL, CRANK PIN	2	
	YF1-49212-23-11	.. METAL, CRANK PIN	2	
9	YF1-49212-30-11	CRANKSHAFT ASS'Y	1	
	YF1-91042-30-11	CRANKSHAFT ASS'Y	1	
10	(YF1-49412-32-41)	. PLUG	1	
11	YF1-49119-10-33	.. BOLT	4	
12	YF0-57120-07-22	KEY (YF0-47120-07-22)	1	
13	YF1-49112-34-51	BEARING, MAIN 1	1	
	YF1-49212-34-51	BEARING, MAIN 1	1	
14	YF1-49112-36-11	PLATE, LOCK	1	
15	YK0-11535-08-16	BOLT (YF0-11535-08-16)	1	
16	92902-08100-00	WASHER, SPRING	1	
17	YF1-49112-34-62	BEARING, MANI 2	1	
	YF1-49212-34-62	BEARING, MANI 2	1	
18	YF1-49112-36-31	RETAINER, MAIN BRNG	1	

CONTINUED ON NEXT FRAME ►

CRANKSHAFT - PISTON

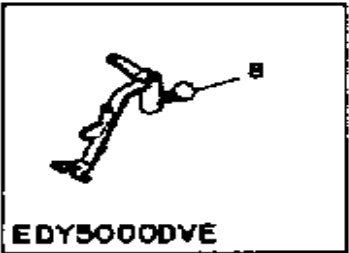
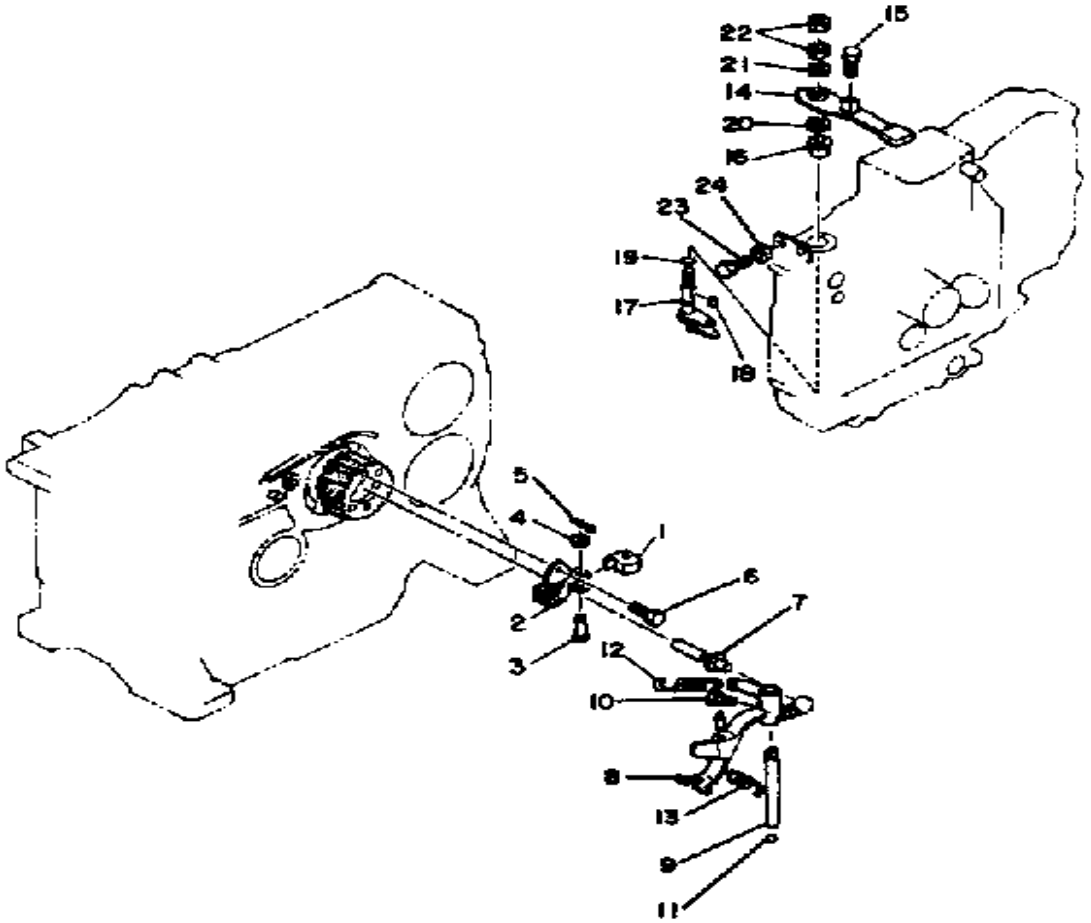


Ref. No.	Part Number	Description	Qty	Remarks
18	YF1-49212-36-31	RETAINER, MAIN BRNG	1	
19	YF1-49112-36-31	RETAINER, MAIN BRNG	1	
	YF1-49212-36-21	CIRCLIP, BRNG RTNR	1	
20	YF1-49112-41-12	GEAR, CRANK	1	
	YF1-49212-41-12	GEAR, CRANK	1	



73W110-4080

GOVERNOR

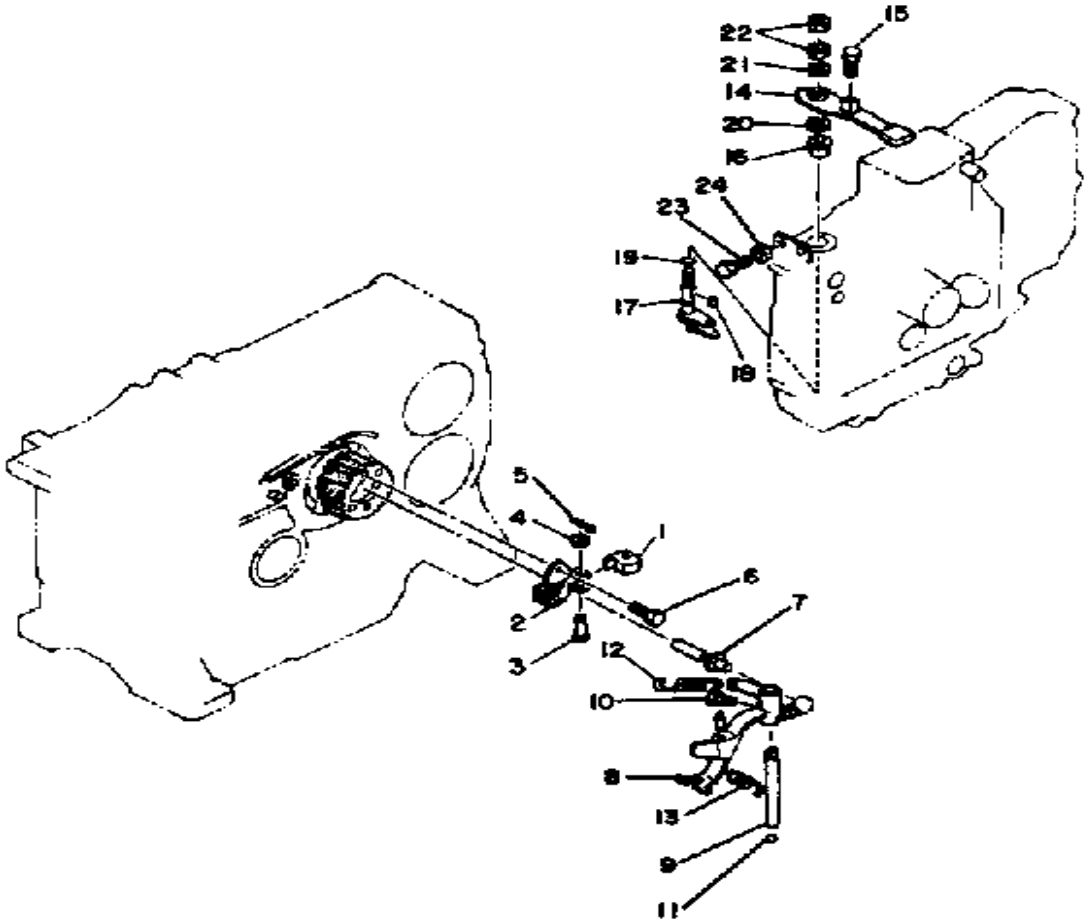


73W110-4120

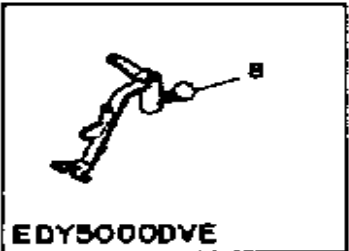
Ref. No.	Part Number	Description	Qty	Remarks
1	YF1-49115-52-51	WEIGHT, GOVERNOR	2	
2	YF1-49115-52-72	HOLDER, GVN R WEIGHT	1	
3	YF1-49115-52-82	PIN, GVN R WEIGHT (YF1-49115-52-81)	2	
4	YK0-40125-00-60	WASHER, PLAIN (YF0-40125-00-60)	2	
5	YF0-55115-02-15	PIN, SPLIT	2	
6	YF0-10235-06-16	BOLT	2	
7	YF1-49115-53-11	SHAFT, GOVERNOR	1	
8	YF1-49115-60-40	GOVERNOR LEVER ASSEMBLY	1	
	YF1-49215-60-40	GOVERNOR LEVER ASSEMBLY	1	
9	YF1-49115-61-42	SHAFT, GVN R LEVER	1	
	YF1-49215-61-43	SHAFT, GVN R LEVER	1	
10	YF0-12025-06-18	BOLT	1	
11	YF0-77150-32-05	BALL	1	
12	YF1-49015-64-11	SPRING, GOVERNOR	1	
	YF1-49215-64-12	SPRING, GOVERNOR	1	
13	YF1-49115-64-82	SPRING	1	
14	YF1-44725-70-50	SPEED CHNG LVR ASSEMBLY	1	
15	YF0-12225-06-10	BOLT	1	
16	YF1-49415-71-72	SUPRT, SPD CHNG LVR	1	
17	YF1-49115-72-32	SHAFT, SPD CHNG LVR	1	
18	YF1-52619-50-11	KEY (YF1-52619-40-11)	1	
19	YF0-48111-00-80	O-RING	1	
20	YF1-49415-76-51	PLATE	1	
21	YK0-40135-00-80	WASHER, PLAIN (YF0-40135-00-80)	1	
22	95380-08600-00	NUT	2	

CONTINUED ON NEXT FRAME ➤

GOVERNOR



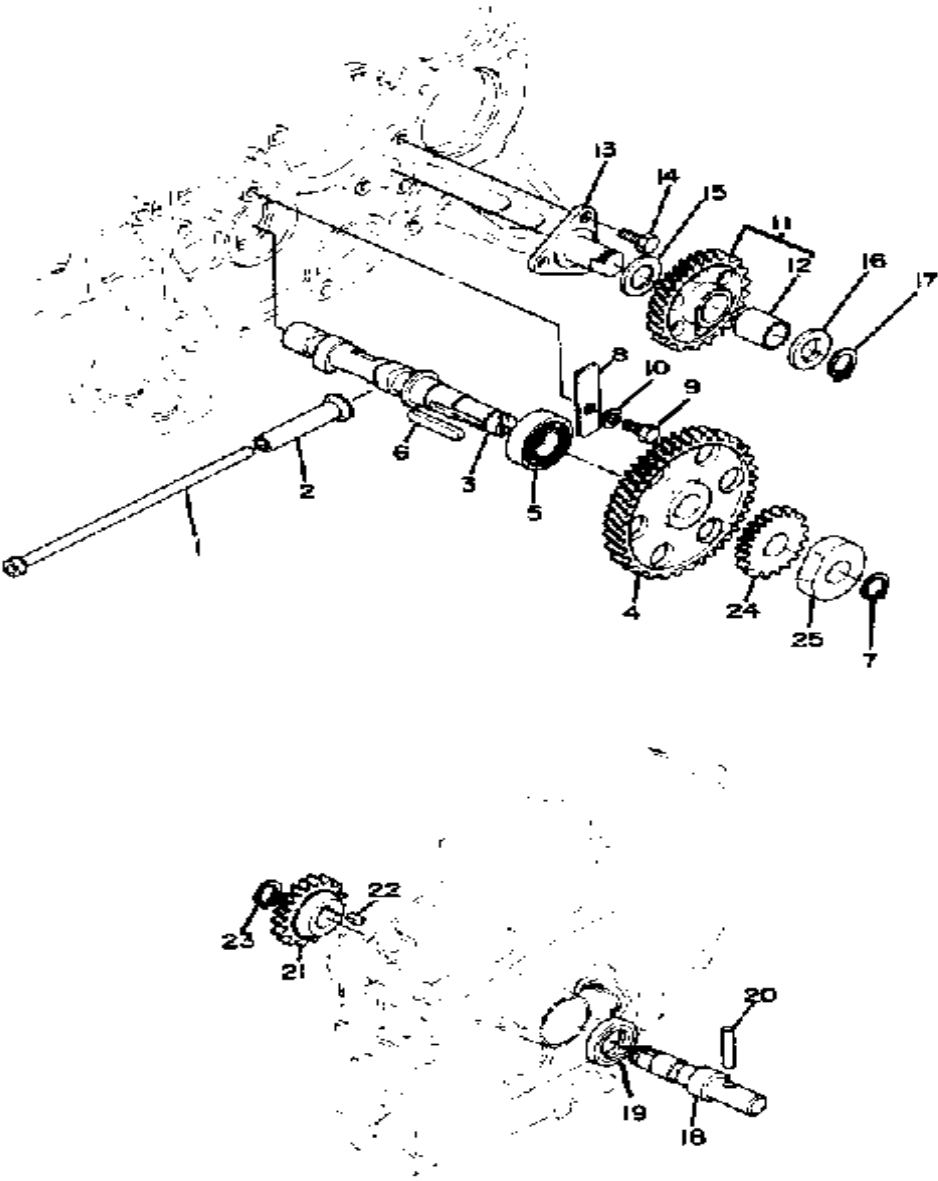
Ref. No.	Part Number	Description	Qty	Remarks
23	YF1-51085-72-84	STOPPER	1	
24	95380-06600-00	NUT	1	



EDY5000DVE

73W110-4120

CAMSHAFT



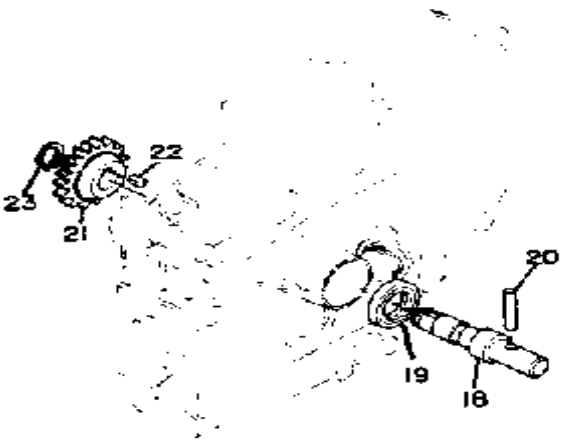
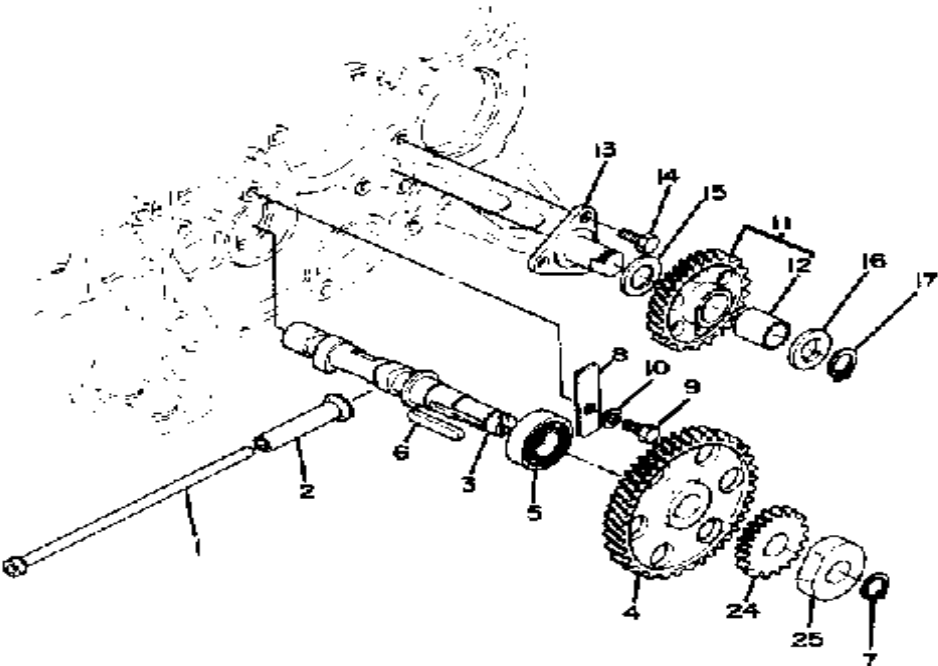
Ref. No.	Part Number	Description	Qty	Remarks
1	YF1-46711-51-12	ROD, PUSH	2	
	YF1-49211-51-11	ROD, PUSH	2	
2	YF1-44311-55-52	TAPPET	2	
3	YF1-49111-61-55	CAMSHAFT	1	
	YF1-49211-61-55	CAMSHAFT	1	
4	YF1-49111-65-12	GEAR, CAM	1	
	YF1-49211-65-12	GEAR, CAM	1	
5	YF0-81010-62-04	BEARING, BALL	1	
6	YF0-57120-07-45	KEY	1	
7	YK0-46120-01-80	CIRCLIP, EXTERNAL (YF0-46120-01-80)	1	
8	YF1-49111-64-61	PLATE, LOCK	1	
9	YK0-11535-08-16	BOLT (YF0-11535-08-16)	1	
10	92902-08100-00	WASHER, SPRING	1	
11	YF1-49212-40-11	IDLE GEAR ASS'Y	1	
12	YF1-49212-42-80	.. BUSH, IDLE GEAR	1	
13	YF1-49212-42-51	SHAFT, IDLE GEAR	1	
14	YF0-11235-08-18	BOLT	3	
15	YF1-52312-43-61	COLLAR, IDLE GEAR 1	1	
16	YF1-52312-43-71	COLLAR, IDLE GEAR 2	1	
17	YF1-52312-43-22	XTRNL CRCLP, IDL GR	1	
18	YF1-91046-22-60	SHAFT, STARTING	1	
19	YF0-95502-53-57	OIL SEAL	1	
20	YF1-41076-22-74	PIN, STARTING SHAF	1	
21	YF1-49116-21-23	GEAR, STARTING 2	1	
	YF1-49216-21-23	GEAR, STARTING 2	1	
22	YF0-57120-05-10	KEY	1	
23	YF0-46120-01-60	CIRCLIP, EXTERNAL	1	
24	YF1-49116-21-12	GEAR, STARTING 1	1	

73T400-4070

CONTINUED ON NEXT FRAME ►

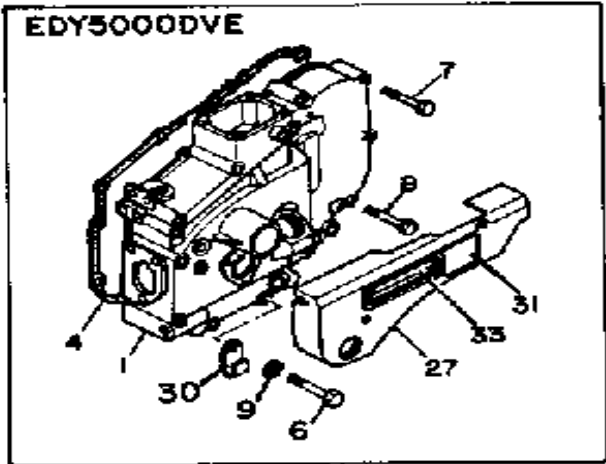
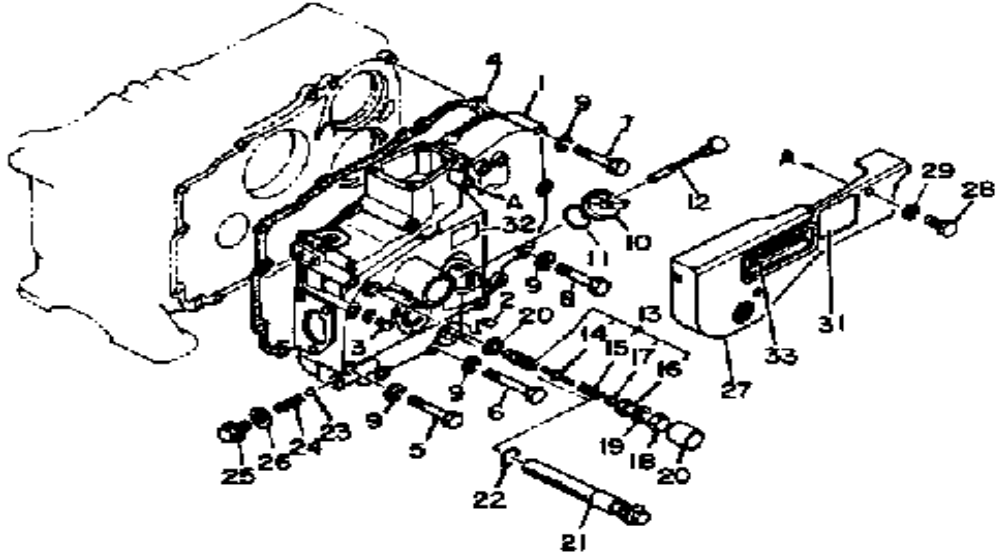
CAMSHAFT

Ref. No.	Part Number	Description	Qty	Remarks
24	YF1-49216-21-12	GEAR, STARTING 1	1	
25	YF1-49115-11-12	CAM, FUEL	1	



73T400-4070

GEAR CASE

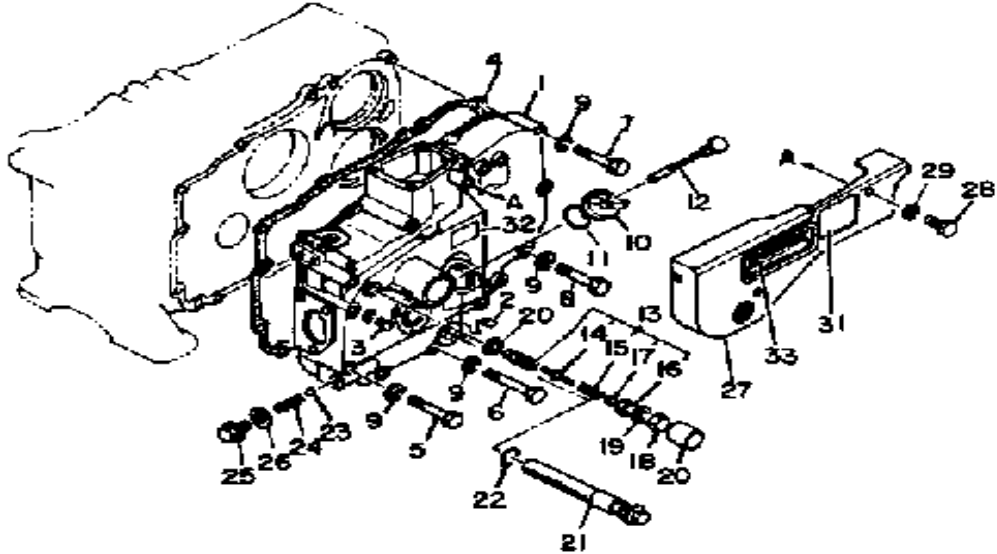


73W110-4020

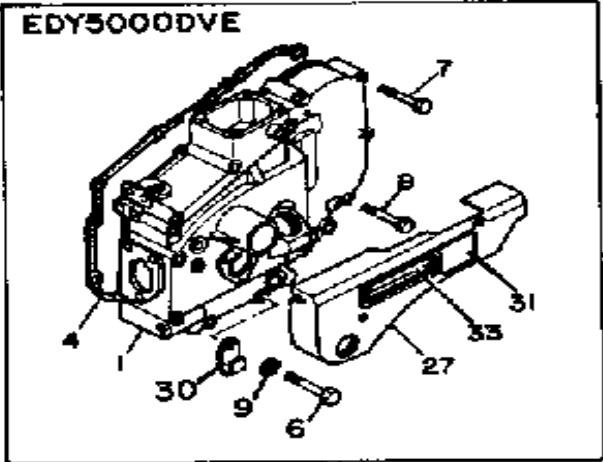
Ref. No.	Part Number	Description	Qty	Remarks
1	YF1-49910-40-21	UNAVAILABLE IN PRICE BOOK (YF1-79520-40-20)	1	
	YF1-79530-40-20	GEAR CASE ASS'Y	1	
2	(YF1-52213-36-41)	. PLUG, PIN	2	
3	(YF1-41076-62-92)	. PIN	1	
4	YF1-49110-41-32	GASKET, GEAR CASE	1	
	YF1-49210-41-32	GASKET, GEAR CASE	1	
5	YF0-11535-08-85	BOLT	2	
6	YF0-11535-08-75	BOLT	4	
	YF0-11535-08-75	BOLT	5	
7	YF0-11535-08-55	BOLT	2	
	YK0-11235-08-55	BOLT	4	
8	YF0-11235-08-45	BOLT	1	
	YF0-11535-08-50	BOLT	3	
9	92902-08100-00	WASHER, SPRING	6	
	92902-08100-00	WASHER, SPRING	7	
10	YF1-49113-31-42	PLUG, OIL FILTER	1	
11	YK0-48115-03-00	O-RING (YF0-48115-03-00)	1	
12	YF1-49113-64-11	GAUGE, OIL	1	
13	YF1-49115-40-21	FUEL LMTR APPR ASSEMBLY	1	
14	(YF1-43015-41-71)	. PIN	1	
15	YF1-49115-42-31	.. SPRING	1	
16	(YF1-43015-42-52)	. NUT, LOCK	1	
17	(YF1-43015-44-31)	. SCREW, SET	1	
18	YF1-43015-42-23	NUT, CAP	1	
19	YF1-43015-41-51	GASKET	2	
20	(YF1-43015-44-21)	CAP	1	
21	YF1-49113-21-11	FILTER, OIL	1	
22	YF0-48114-01-40	O-RING	1	

CONTINUED ON NEXT FRAME ►

GEAR CASE

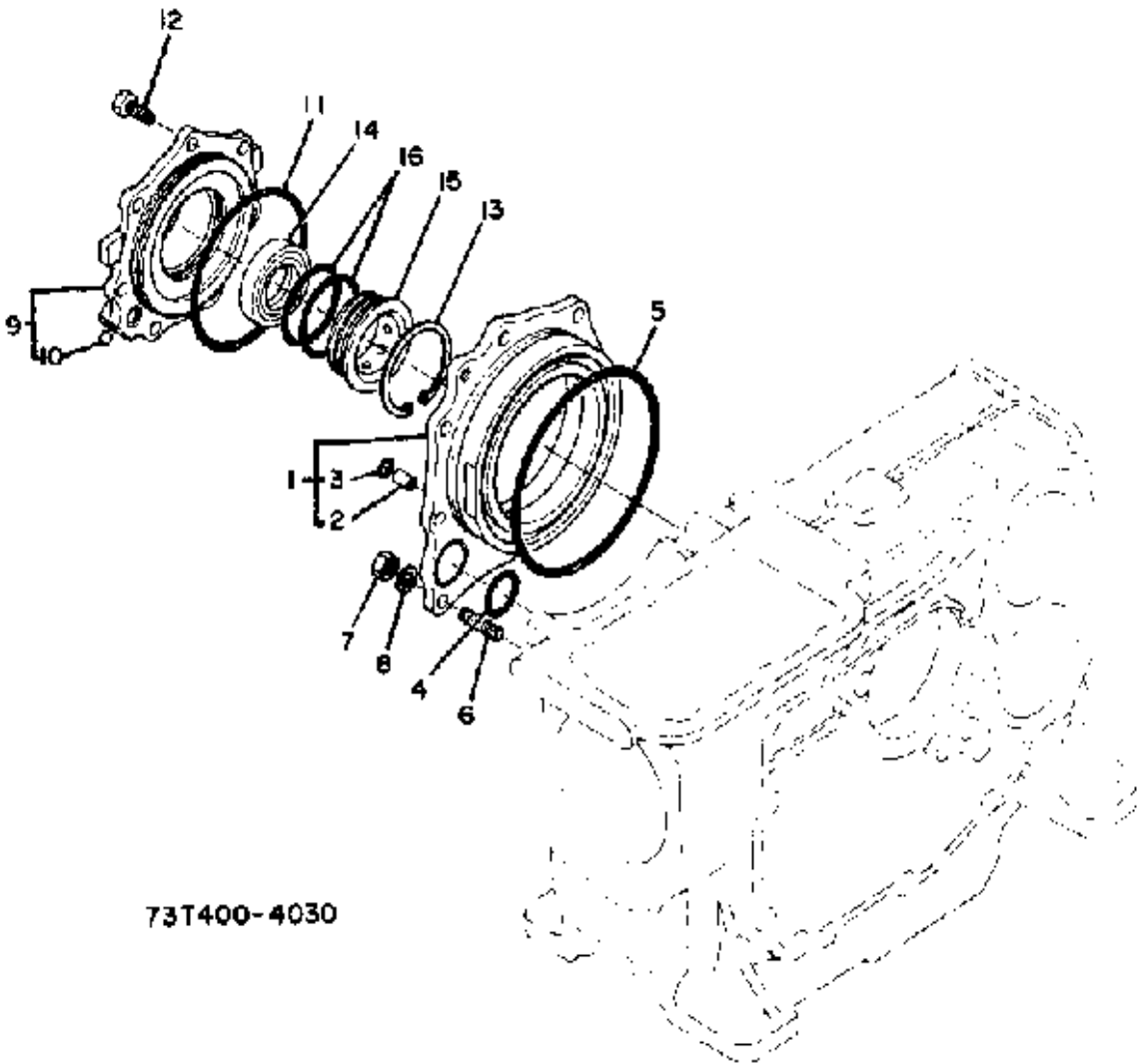


Ref. No.	Part Number	Description	Qty	Remarks
23	YF0-77150-16-07	BALL	1	
24	YF1-49113-69-51	SPRING	1	
25	YF1-49113-69-12	PLUG	1	
26	(YF0-47240-01-60)	GASKET	1	
27	YF1-44710-47-50	COVER, SIDE	1	
	YF1-78020-48-00	COVER, SIDE (YF1-78020-47-50)	1	
28	YF0-12225-06-12	BOLT	2	
29	YK0-45125-00-60	WASHER, SPRING (YF0-45125-00-60)	2	
30	YF1-38246-75-70	CLAMP, CORD	1	
31	73T-12629-00-00	EMBLEM	1	
32	73T-21793-00-00	ORNAMENT	1	
33	73T-24154-00-00	INDICATOR, SHIFT	1	



73W110-4020

MAIN BEARING

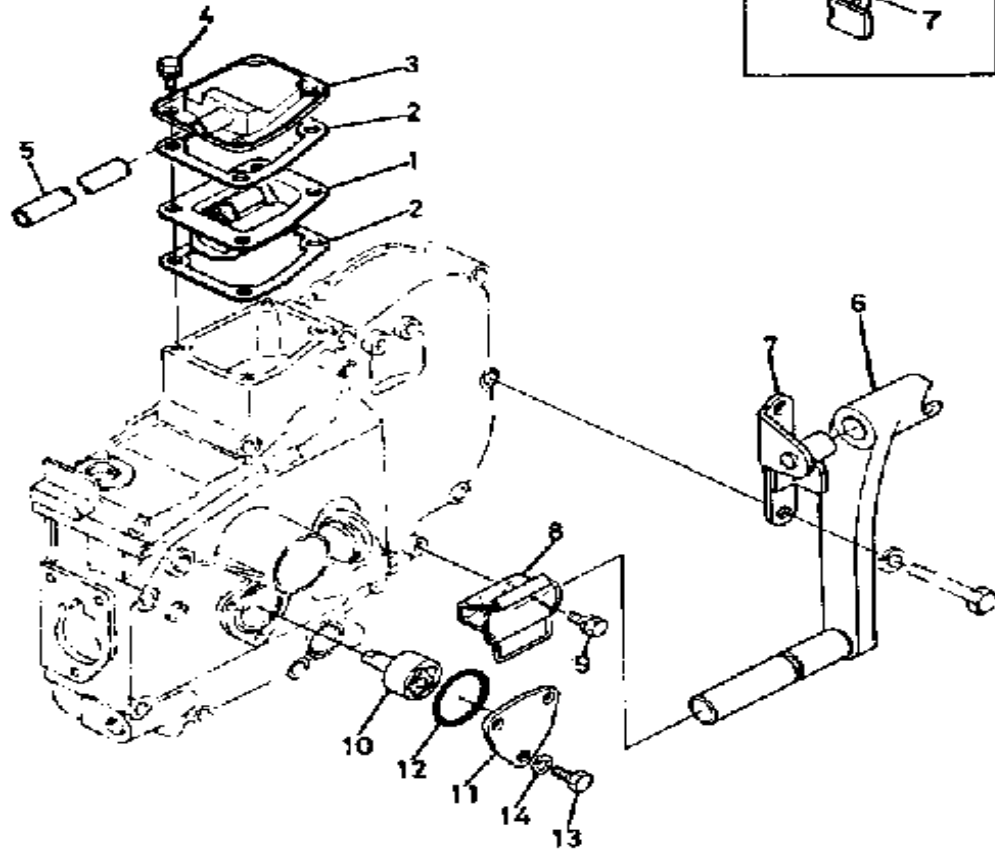
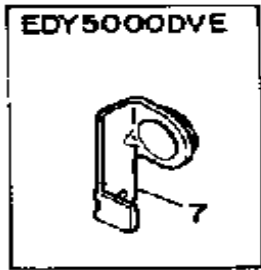


73T400-4030

Ref. No.	Part Number	Description	Qty	Remarks
1	YF1-49110-40-40	MAIN BRNG CASE ASSEMBLY (YF1-79520-40-40)		
	YF1-79530-40-40	MAIN BRG CASE ASSEMBLY	1	
2	YF1-46119-49-31	.. PIN	1	
3	YF0-48110-00-80	.. O-RING (YF0-48110-00-80)	1	
4	YF0-48111-02-60	O-RING (YF0-48111-02-80)	1	
5	YF0-48111-13-20	O-RING	1	
	YF0-48111-14-00	O-RING	1	
6	YF0-15135-08-20	STUD	8	
7	95380-08600-00	NUT	8	
8	92902-08100-00	WASHER, SPRING	8	
9	YF1-79520-43-00	BRG CASE COVER ASSEMBLY	1	
	YF1-79530-43-00	BRG CASE COVER ASSEMBLY	1	
10	(YF1-46819-68-51)	. PLUG, BLIND	1	
	YF1-49119-68-50	.. PLUG, BLIND	1	
11	YF0-48111-10-00	O-RING	1	
12	YF0-10235-06-18	BOLT	7	
	YF0-10235-06-20	BOLT	7	
13	YF0-46110-06-00	CIRCLIP, INTERNAL	1	
14	YF0-95603-85-58	OIL SEAL	1	
15	YF1-49113-57-51	RING, OIL FILTER	1	
16	YF1-49113-57-71	O-RING	2	

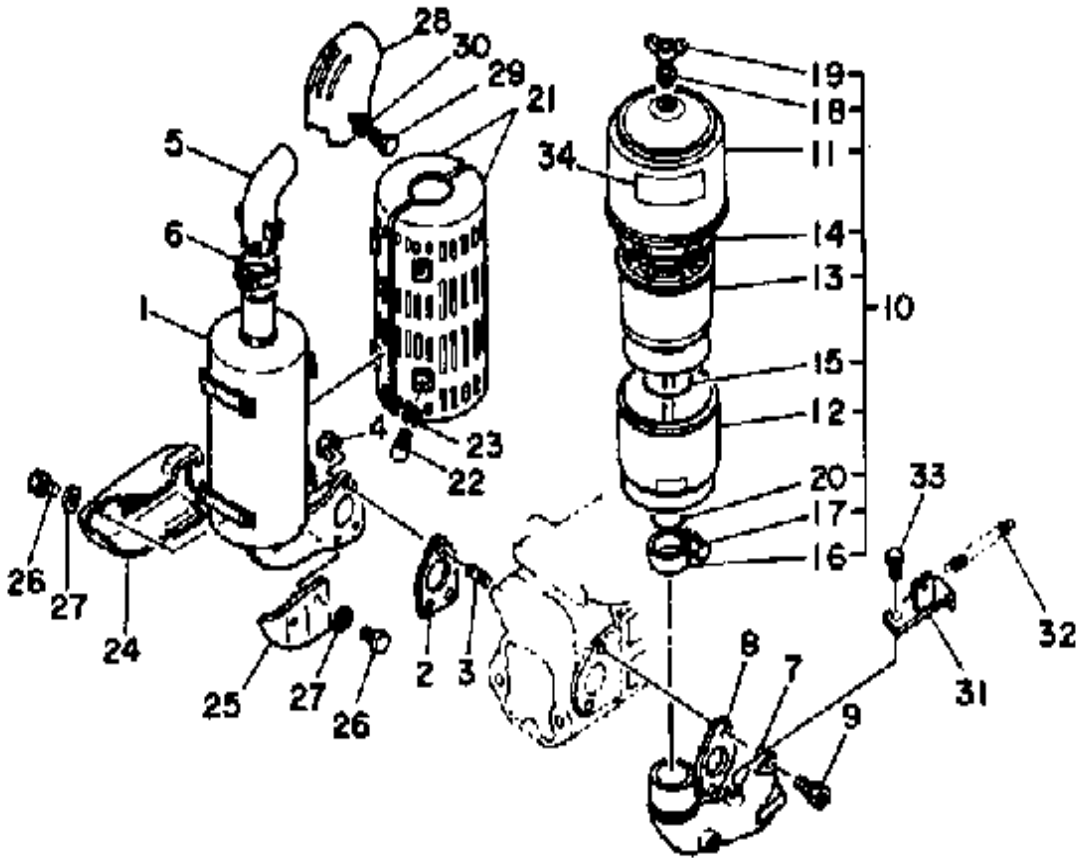
BREATHER

Ref. No.	Part Number	Description	Qty	Remarks
1	YF1-49110-50-11	BREATHER ASS"Y	1	
	YF1-49210-50-11	BREATHER ASS"Y	1	
2	YF1-49110-54-31	GASKET, BREATHER	2	
	YF1-49210-54-31	GASKET, BREATHER	2	
3	YF1-79520-54-10	COVER, BRTHR VALVE	1	
	YF1-79530-54-10	COVER, BRTHR VALVE	1	
4	YF0-12025-06-14	BOLT	4	
5	YF1-49210-55-11	PIPE, BREATHER	1	
6	YF1-91046-11-11	HANDLE, STARTING	1	
	YF1-91056-11-11	HANDLE, STARTING	1	
7	YF1-91046-12-81	SUPPORT, STRTG HNDL	1	
	YF1-93746-12-80	SUPPORT, STRTG HNDL	1	
8	YF1-43016-12-23	HOLDER, STRTG HNDL	1	
9	YF0-12025-06-10	BOLT	2	
10	YF1-49113-54-01	OIL PUMP ROTOR ASSEMBLY	1	
11	YF1-79523-54-30	COVER, OIL PUMP	1	
12	YF1-49113-54-51	O-RING	1	
13	YF0-10535-06-16	BOLT	3	
14	YK0-45125-00-60	WASHER, SPRING (YF0-45125-00-60)	3	



73W110-4040

MUFFLER - AIR CLEANER

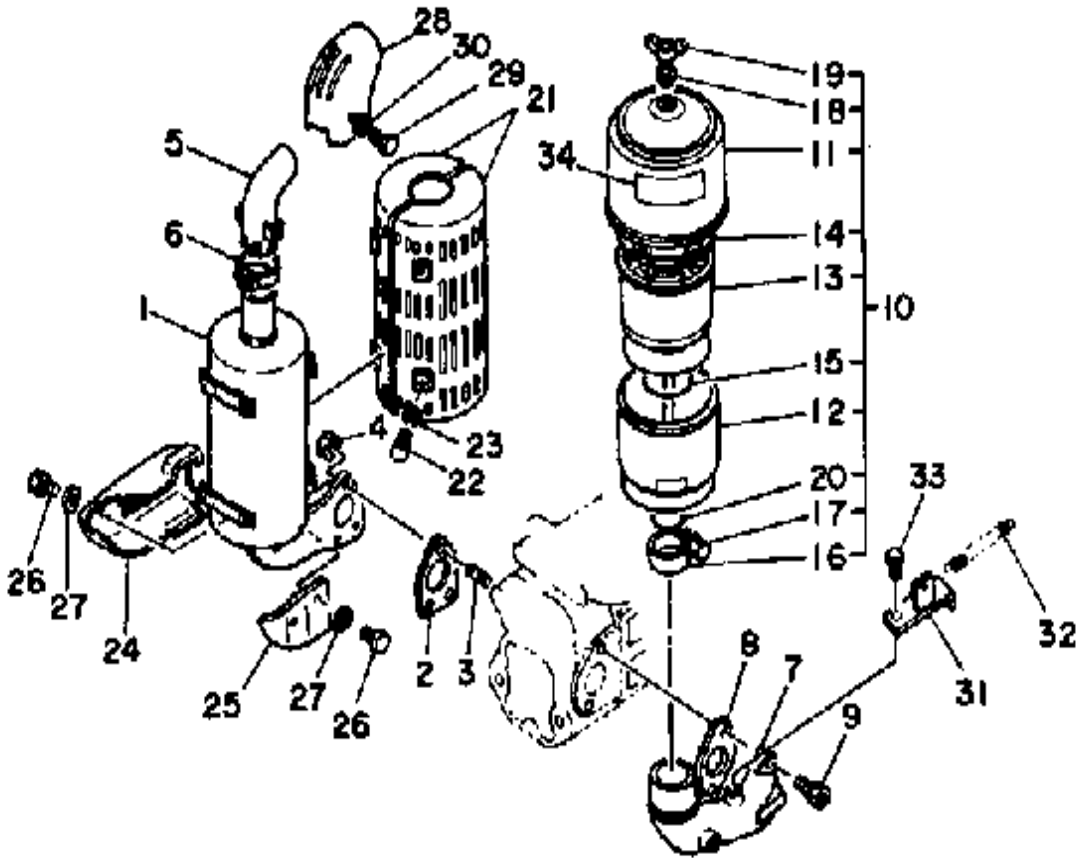


73W110-4050

Ref. No.	Part Number	Description	Qty	Remarks
1	YF1-49111-21-10	MUFFLER	1	
	YF1-49211-21-10	MUFFLER	1	
2	YF1-49111-22-32	GASKET, MUFFLER	1	
3	YF0-15135-08-16	STUD	3	
4	95380-08600-00	NUT	3	
5	YF1-49111-24-12	PIPE, MUFFLER	1	
6	YF1-44311-24-30	BAND PIPE	1	
7	YF1-79521-16-10	FLANGE, AIR CLNR	1	
	YF1-91051-16-11	FLANGE, AIR CLNR	1	
8	YF1-49111-16-51	GASKET, FLANGE	1	
	YF1-49211-16-51	GASKET, FLANGE	1	
9	YF0-11205-08-25	BOLT	2	
10	YF1-44711-10-10	AIR CLEANER ASS'Y	1	
11	YF1-78021-11-60	.. COVER ASS'Y	1	
12	YF1-78021-14-40	.. OIL PAN ASS'Y	1	
13	YF1-43011-12-00	. ELEMENT ASSEMBLY (YF1-42611-12-01)	1	
14	YF1-43011-12-11	.. GASKET, COVER	1	
15	YF1-43011-13-71	.. O-RING	1	
16	YF1-48011-12-50	.. CLAMP ASS'Y	1	
17	YF1-43511-12-70	.. BOLT, CLAMP	1	
18	YF1-43511-13-42	.. WASHER, SEAL	1	
19	YF1-42011-11-11	.. SCREW, WING	1	
20	YF1-43011-11-81	.. O-RING	1	
21	YF1-49111-27-00	COVER, MUFFLER	2	
22	YF0-12225-06-08	BOLT	8	
23	YK0-45125-00-60	WASHER, SPRING (YF0-45125-00-60)	8	
24	YF1-49111-27-20	CVR, MUFF FLANGE 1	1	

CONTINUED ON NEXT FRAME ►

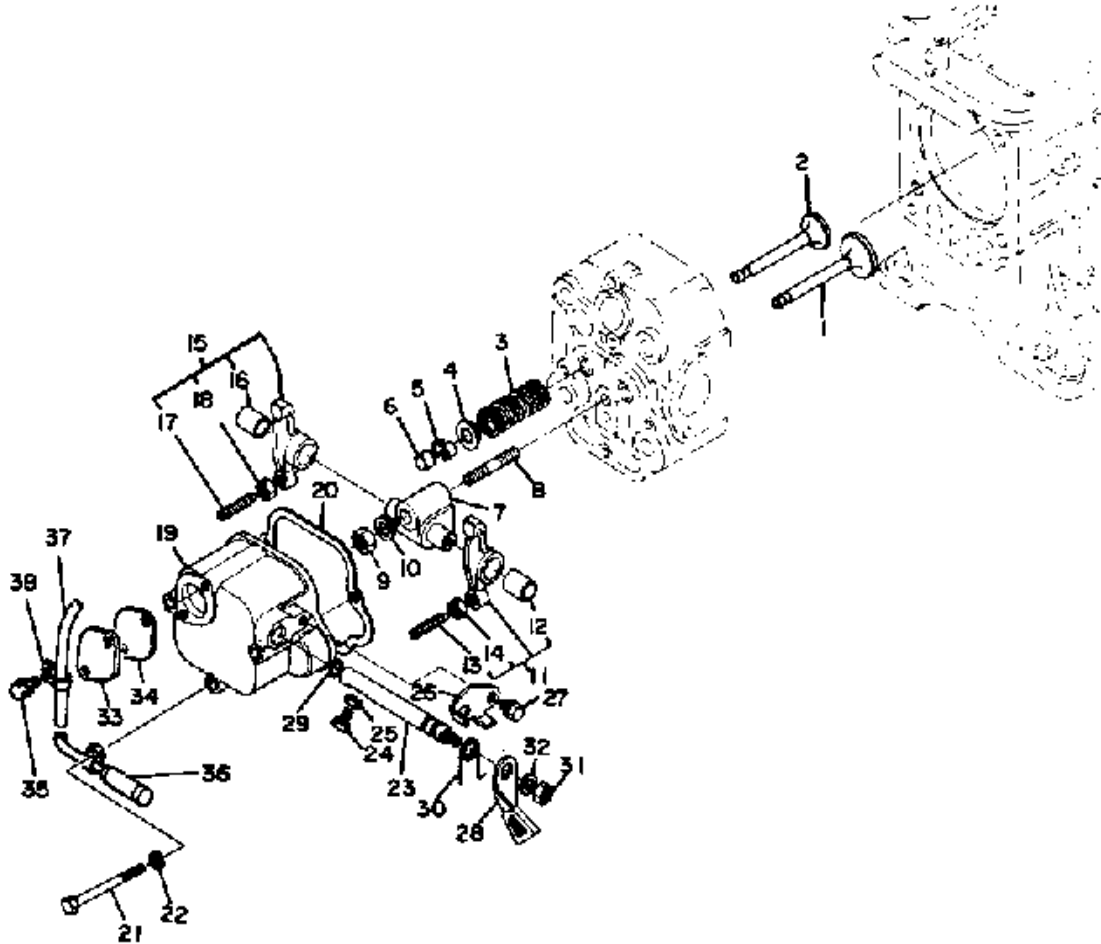
MUFFLER - AIR CLEANER



Ref. No.	Part Number	Description	Qty	Remarks
25	YF1-49111-27-30	CVR, MUFF FLANGE 2	1	
	YF1-49211-27-30	CVR, MUFF FLANGE 2	1	
26	YF0-12225-06-08	BOLT	4	
27	YK0-45125-00-60	WASHER, SPRING (YF0-45125-00-60)	4	
28	YF1-49111-24-70	COVER, MUFFLER PIPE	1	
29	YF0-12225-06-08	BOLT	2	
30	YK0-45125-00-60	WASHER, SPRING (YF0-45125-00-60)	2	
31	YF1-44755-65-10	SUPPORT, SPRING	1	
32	YF1-44725-64-80	SPRING	1	
33	YF0-63115-50-10	PLUG	1	
34	73T-14488-00-00	LABEL, CAUTION	1	

73W110-4050

VALVE - HEAD COVER

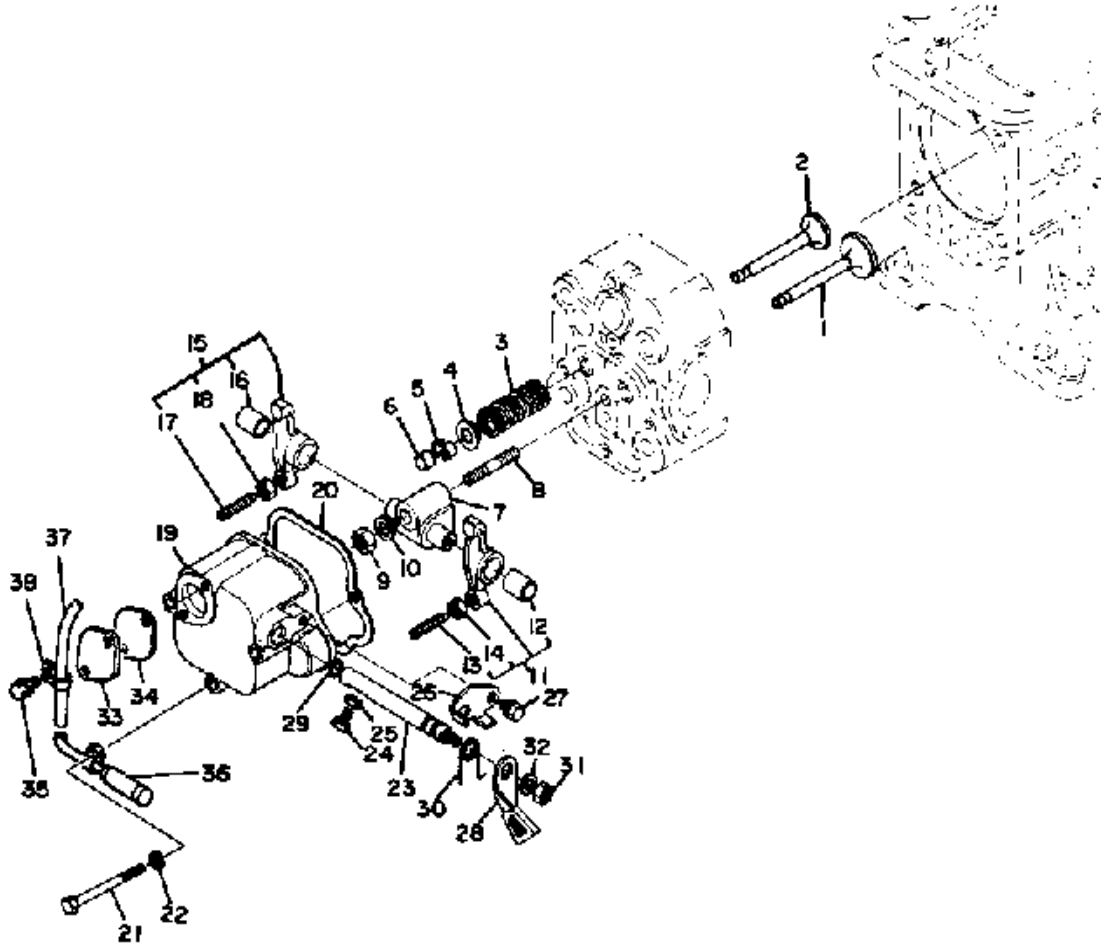


73T400-4060

Ref. No.	Part Number	Description	Qty	Remarks
1	YF1-49111-31-11	VALVE, INLET	1	
	YF1-49211-31-11	VALVE, INLET	1	
2	YF1-49111-31-21	VALVE, EXHAUST	1	
	YF1-49211-31-21	VALVE, EXHAUST	1	
3	YF1-43511-32-41	SPRING, VALVE	2	
4	YF1-43511-33-31	RETAINER, VLV SPRG	2	
	YF1-49211-33-32	RETAINER, VLV SPRG	2	
5	YF1-43511-33-63	COLLET, VLV SPRG	4	
	YF1-52211-33-61	COLLET, VLV SPRG	4	
6	YF1-52211-32-82	CAP, VALVE	2	
	YF1-52611-32-81	CAP, VALVE	2	
7	YF1-49111-40-51	ROCR, ARM BRKT ASSEMBLY	1	
8	YF0-15545-10-50	STUD	1	
9	95380-10600-00	NUT	1	
10	92901-10100-00	WASHER, SPRING	1	
11	YF1-49111-40-32	INLET ROKR ARM ASSEMBLY	1	
	YF1-49211-40-31	INLET ROKR ARM ASSEMBLY (YF1-49211-40-32)	1	
12	YF1-43511-41-81	.. BUSH, ROCKER ARM.	1	
13	YF1-43011-42-31	.. SCREW, ADJUSTING.	1	
14	YF0-21165-00-80	.. NUT	1	
15	YF1-49111-40-41	EXHAUST ROKR ARM A	1	
	YF1-49211-40-41	EXHAUST ROKR ARM A	1	
16	YF1-43511-41-81	. BUSH, ROCKER ARM.	1	
17	YF1-43011-42-31	. SCREW, ADJUSTING.	1	
18	YF0-21165-00-80	.. NUT	1	
19	YF1-79521-45-10	COVER, HEAD	1	
	YF1-79531-45-10	COVER, HEAD	1	
20	YF1-49111-45-21	GASKET, HEAD COVER	1	

CONTINUED ON NEXT FRAME ►

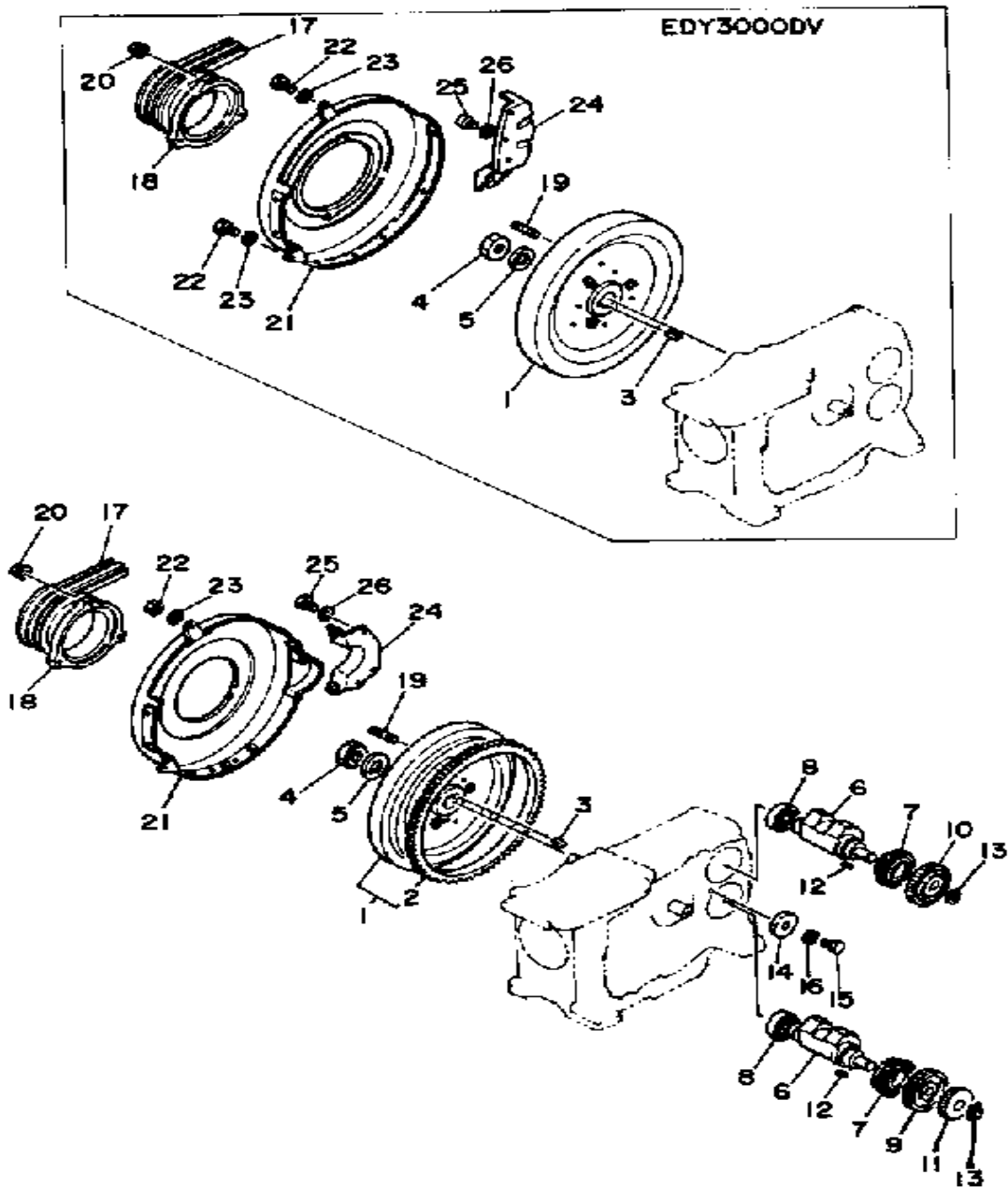
VALVE - HEAD COVER



Ref. No.	Part Number	Description	Qty	Remarks
20	YF1-49211-45-21	GASKET, HEAD COVER	1	
21	YF0-10535-06-70	BOLT	3	
22	YK0-45125-00-60	WASHER, SPRING (YF0-45125-00-60)	3	
23	YF1-49116-63-21	SHAFT, DECOMPRESS	1	
24	YF1-51016-63-52	BOLT	1	
25	YF1-50216-63-61	NUT, LOCK	1	
26	YF1-49116-65-51	STOPR, DECMPRS SHFT	1	
27	YF0-12025-06-14	BOLT	1	
28	YF1-43016-63-12	DECOMPRESS LVR ASSEMBLY	1	
29	YF0-48110-00-90	O-RING	1	
30	YF1-49116-62-11	SPRING, DECOMPRESS	1	
31	95380-06600-00	NUT	1	
32	YK0-45125-00-60	WASHER, SPRING (YF0-45125-00-60)	1	
33	YF1-49116-66-31	COVER	1	
34	YF1-49116-66-42	GASKET	1	
35	YF0-12025-06-14	BOLT	2	
36	YF1-49767-20-40	WHISTLE	1	
37	YF1-78027-24-40	PIPE, OVERFLOW	1	
38	YF1-52766-75-70	CLAMP	1	

73T400-4060

FLYWHEEL

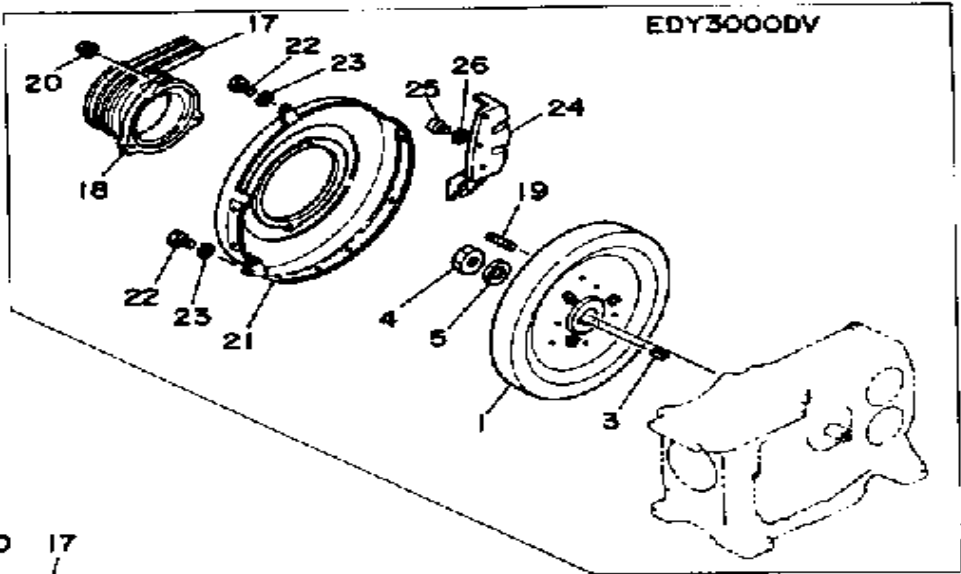


73W110-4090

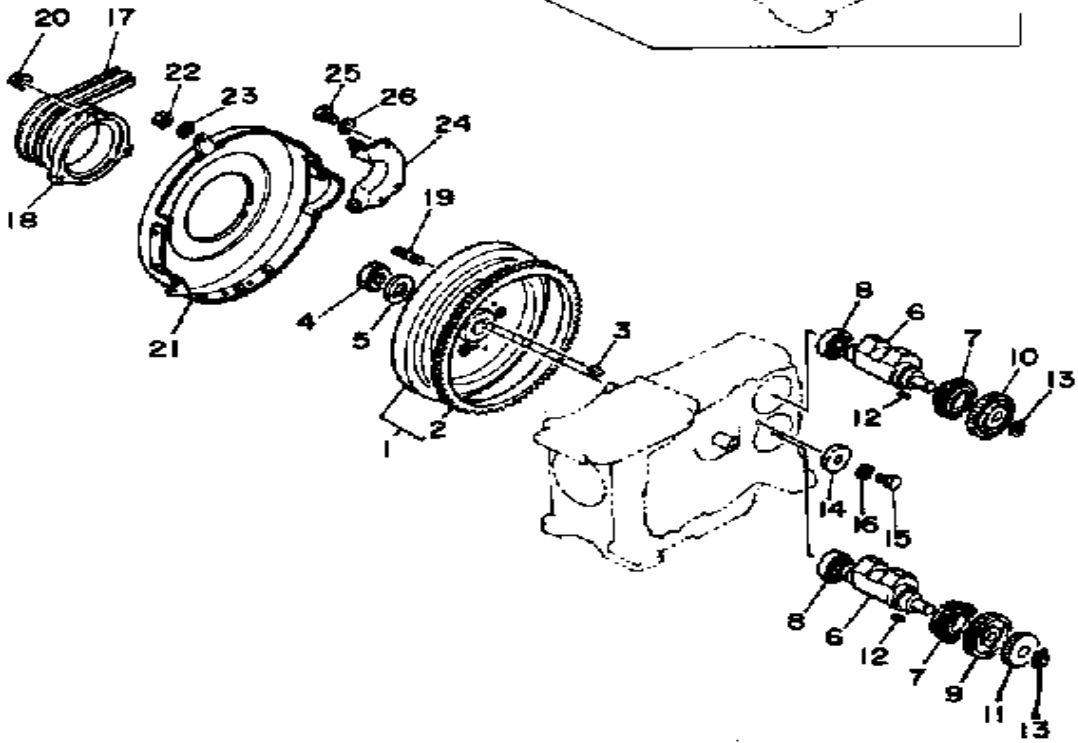
Ref. No.	Part Number	Description	Qty	Remarks
1	YF1-79522-51-10	FLYWHEEL	1	
	YF1-91622-50-10	FLYWHEEL	1	
2	YF1-49386-38-20	.. GEAR, RING	1	
3	YF1-49119-50-11	KEY	1	
4	YF1-79522-33-50	NUT, FLYWHEEL	1	
5	YF1-79522-33-70	WASHER, FLYWHEEL	1	
6	YF1-49212-62-53	BALANCE	2	
7	YF1-49212-62-81	BEARING, BALANCE 1	2	
8	YF1-49212-62-92	BEARING, BALANCE 2	2	
9	YF1-49212-64-40	GEAR, BALANCE 1	1	
10	YF1-49212-64-50	GEAR, BALANCE 2	1	
11	YF1-49212-64-62	GEAR, BALANCE 3	1	
12	YF0-57120-07-20	KEY	2	
13	YF1-52312-43-22	XTRNL CRCLP, IDL GR	2	
14	YF1-49112-68-10	RETNR, BALANCE BRNG	1	
15	YK0-11535-08-16	BOLT (YF0-11535-08-16)	1	
16	92902-08100-00	WASHER, SPRING	1	
17	73T-17641-00-00	V-BELT (60HZ)	3	
	75K-17641-00-00	V-BELT (60HZ)	3	
18	73T-17651-00-35	PULLEY, BELT (73T-17651-00-20)	1	CRYSTAL SLV
19	(90116-10440-00)	BOLT, STUD	3	
20	95701-10500-00	NUT, FLANGE (95702-10500) ..	3	
21	YF1-44762-53-30	COVER, FLYWHEEL	1	
	YF1-79642-53-30	COVER, FLYWHEEL	1	
22	(YF0-11505-08-16)	BOLT	4	
23	92902-08100-00	WASHER, SPRING	4	
24	YF1-42952-53-60	STAY, FLYWHL CVR	1	
	YF1-49122-53-60	STAY, FLYWHL CVR	1	

CONTINUED ON NEXT FRAME ►

FLYWHEEL



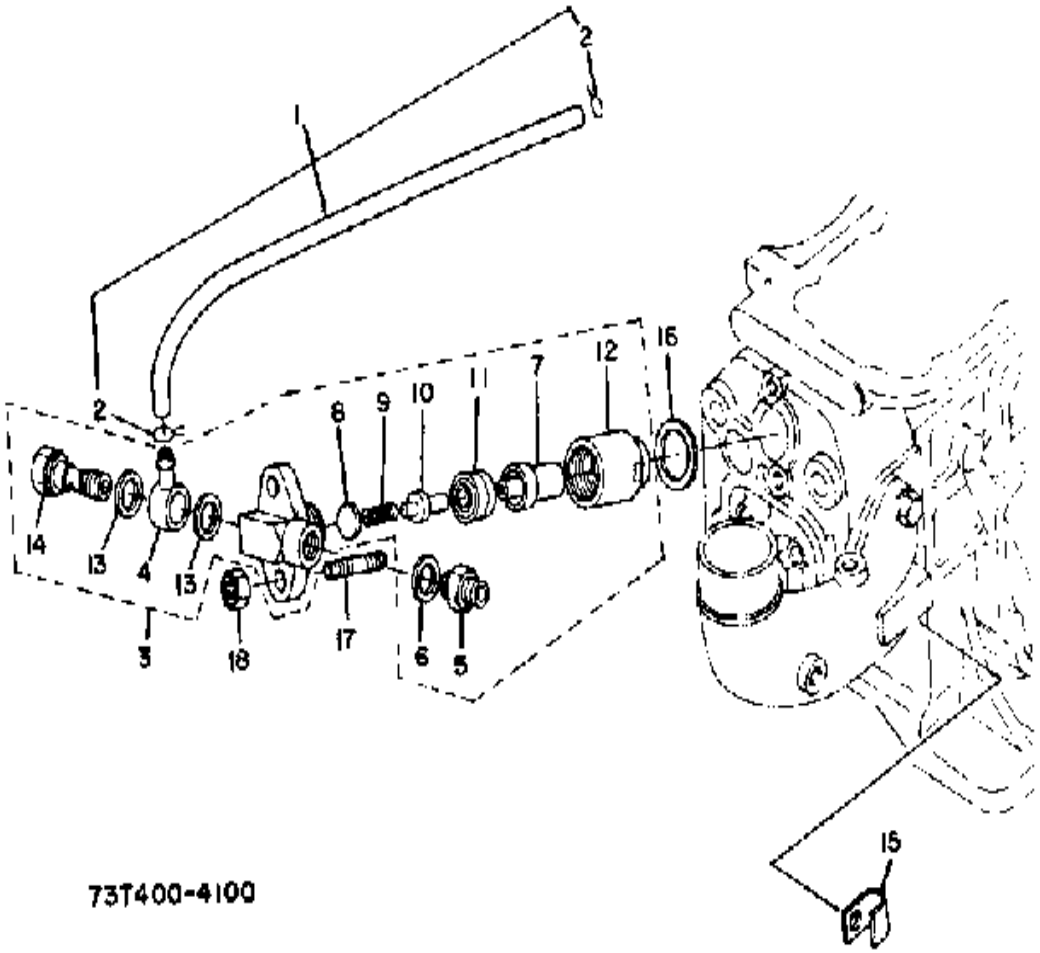
Ref. No.	Part Number	Description	Qty	Remarks
25	(YF0-11505-08-14)	BOLT	3	
26	92902-08100-00	WASHER, SPRING	3	



73W110-4090

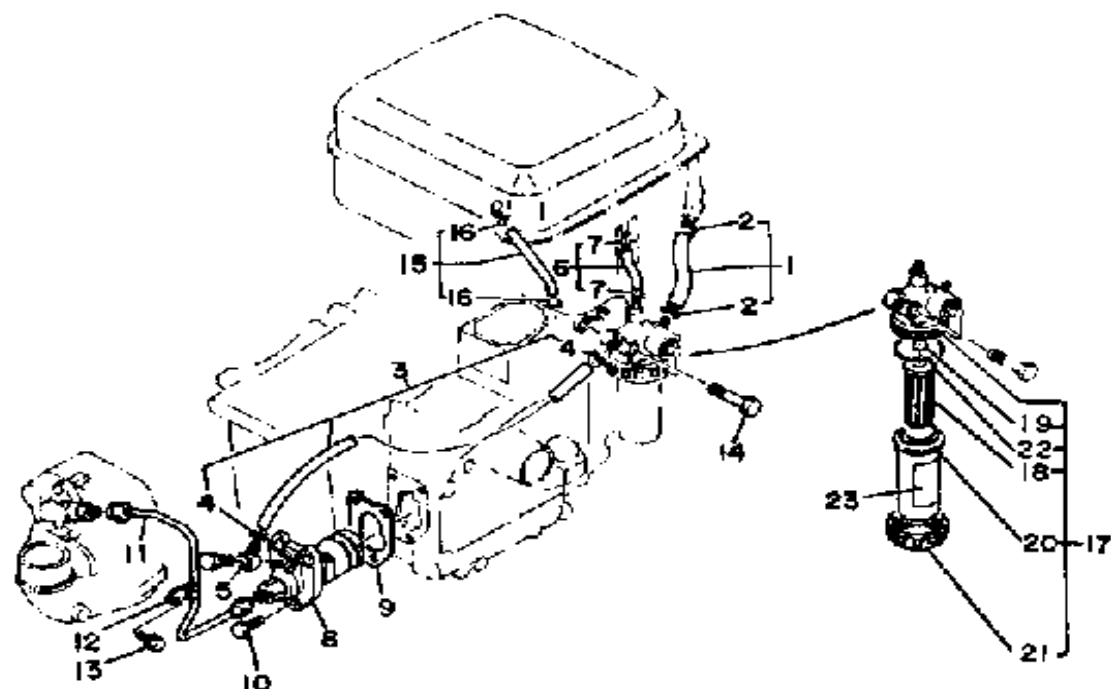
NOZZLE HOLDER

Ref. No.	Part Number	Description	Qty	Remarks
1	YF1-43056-06-02	OVER FLOW PIPE ASSEMBLY	1	
	YF1-49214-25-00	OVER FLOW PIPE ASSEMBLY	1	
2	YF1-49714-27-51	.. CLAMP, PIPE	2	
3	YF1-43015-30-05	NOZZLE HOLDER ASSEMBLY	1	
4	YF1-41174-25-61	.. JOINT	1	
5	YF1-41115-30-31	.. CONNECTOR, INLET	1	
6	YF1-43015-33-81	.. WASHER	1	
7	YF1-43015-36-12	.. PIECE, NOZZLE	1	
8	YF1-41115-32-31	.. WASHER, ADJUSTIN	1	
9	YF1-41115-31-71	.. SPRING, NOZZLE	1	
10	YF1-41115-31-61	.. PUSH, ROD	1	
11	YF1-41115-33-51	.. PIECE, DISTANCE	1	
12	YF1-43015-32-81	.. NUT, NOZZLE	1	
13	YF1-41115-33-81	.. GASKET	2	
14	YF1-41115-34-11	.. BOLT, PIPE JOINT	1	
15	YF1-49110-55-81	CLAMP, PIPE	1	
16	YF1-41025-36-21	GASKET	1	
17	YF0-15135-08-50	STUD	2	
18	95380-08600-00	NUT	2	

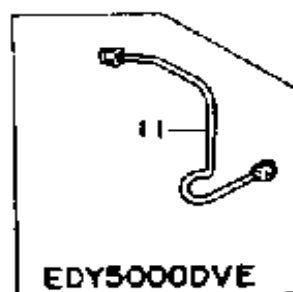


73T400-4100

FUEL PIPE



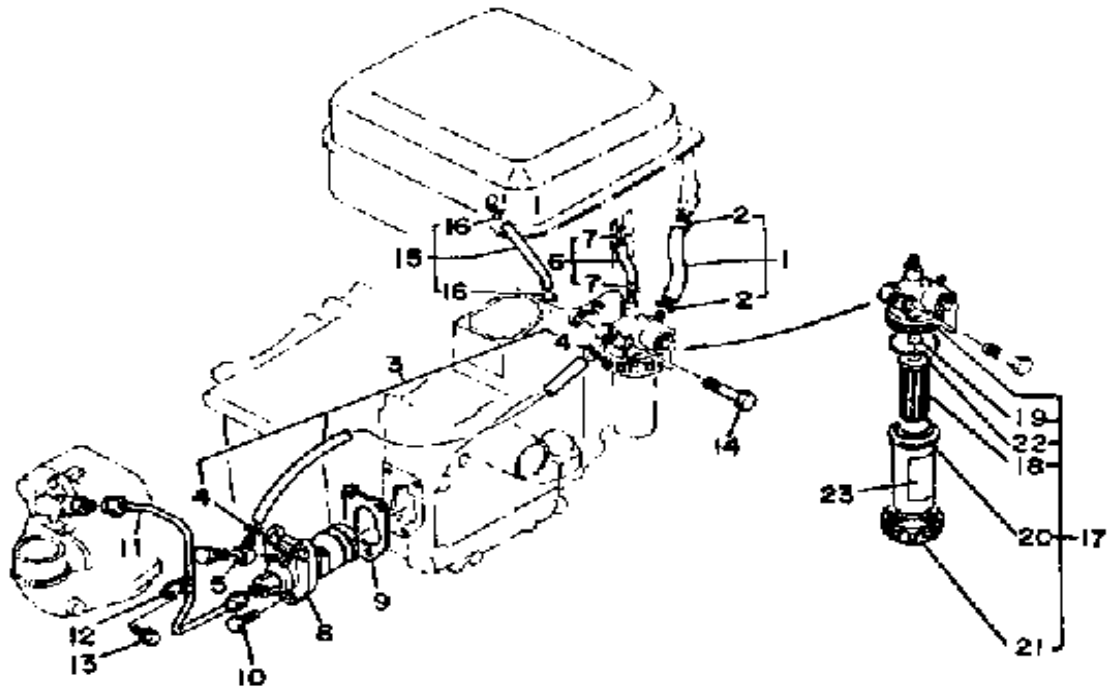
73W110-4110



Ref. No.	Part Number	Description	Qty	Remarks
1	YF1-49114-20-13	FUEL PIPE ASSEMBLY 1	1	
	YF1-49214-20-12	FUEL PIPE ASSEMBLY 1	1	
2	YF1-49114-27-51	. CLAMP, PIPE	2	
3	YF1-49114-20-20	FUEL PIPE ASSEMBLY 2	1	
4	YF1-49114-27-51	. CLAMP, PIPE	2	
5	YF1-41114-24-13	JOINT	1	
6	YF1-49114-20-52	PIPE ASS'Y	1	
7	YF1-49714-27-51	. . CLAMP, PIPE	2	
8	YF1-49015-10-11	INJECTION PUMP ASSEMBLY	1	
	YF1-49315-10-11	INJECTION PUMP ASSEMBLY	1	
9	YF1-49115-21-11	SHIM	5	
10	YF0-11235-08-25	BOLT	3	
11	YF1-49115-37-11	PIPE, INJECTION	1	
	YF1-49215-37-11	PIPE, INJECTION	1	
12	YF1-49415-38-52	CLAMP, PIPE	1	
13	YF0-11205-08-14	BOLT	1	
14	YF0-11235-08-45	BOLT	1	
15	YF1-49114-22-00	PIPE ASS'Y	1	
16	YF1-49714-27-51	. . CLAMP, PIPE	2	
17	YF1-44714-30-10	FUEL FILTER ASSEMBLY	1	
18	YF1-52314-35-63	. ELEMENT ASSEMBLY (YF1-52314-35-60)	1	
19	YF0-48110-01-00	. O-RING, FILTER (YF1-43014-35-71)	1	
20	YF1-91644-30-70	. CUP, FILTER (YF1-52314-35-80)	1	
21	YF1-43014-35-91	. . RING, RETAINING (YF1-43014-35-90)	1	
	YF1-91644-30-70	. CUP, FILTER (YF1-52314-35-80)	1	

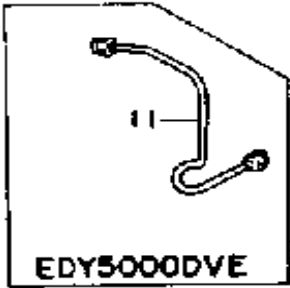
CONTINUED ON NEXT FRAME ►

FUEL PIPE

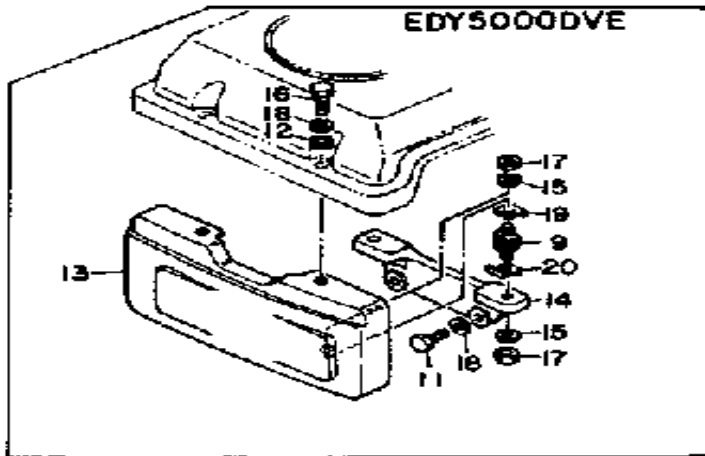
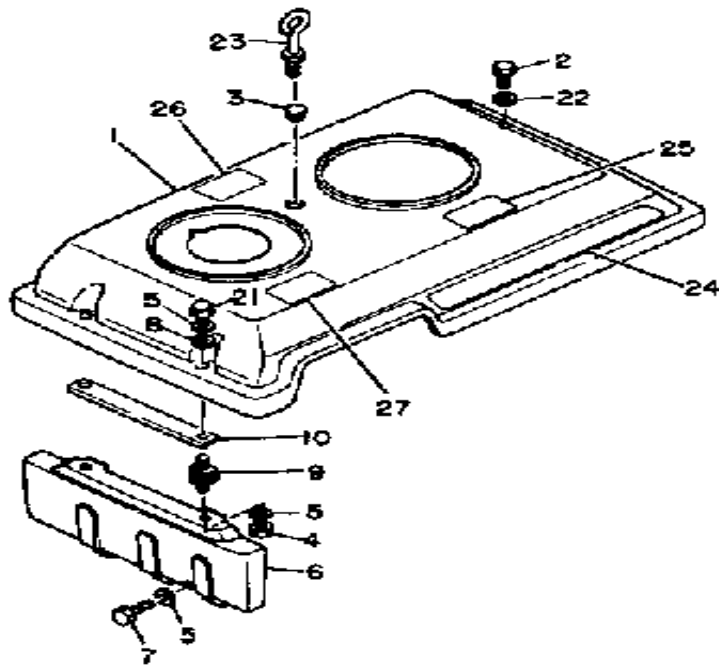


Ref. No.	Part Number	Description	Qty	Remarks
22	YF1-43014-36-51	O-RING, FILTER (YF1-43014-36-50)	1	
23	73T-14427-00-00	LABEL, INSTRUCTION	1	

73W110-4110



HOOD

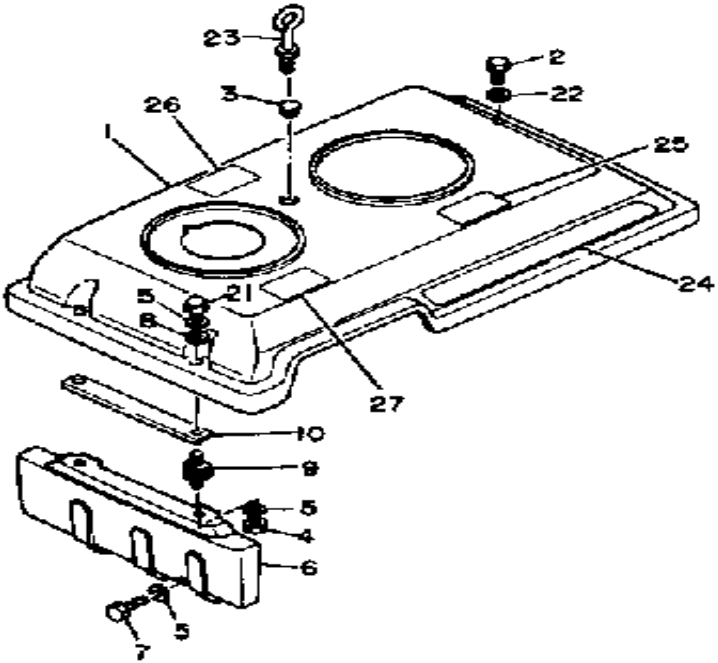


73W11Q-4140

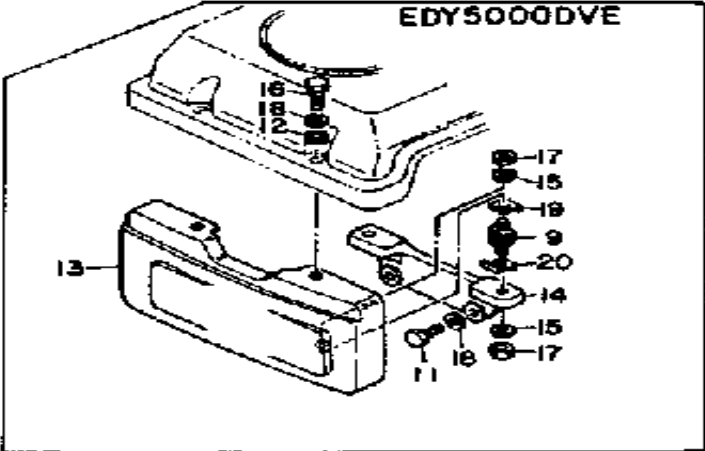
Ref. No.	Part Number	Description	Qty	Remarks
1	YF1-78027-71-10	HOOD	1	
	YF1-78147-71-10	HOOD	2	
2	YF0-11205-08-32	BOLT	2	
3	YF1-44717-22-70	CAP	1	
4	95380-08600-00	NUT	2	
5	92902-08100-00	WASHER, SPRING	6	
6	YF1-78027-71-20	STAY, HOOD	1	
7	(YF0-12225-08-16)	BOLT	2	
8	YK0-40135-00-80	WASHER, PLAIN (YF0-40135-00-80)	2	
9	YF1-49114-14-11	RUBBER, ABSORBER	2	
10	(YF1-49117-72-11)	WASHER	1	
11	YF0-11535-08-18	BOLT	2	
12	YK0-40135-00-80	WASHER, PLAIN (YF0-40135-00-80)	2	
13	YF1-78037-71-60	SUPPORT, HOOD	1	
14	YF1-91057-71-30	BRACKET, HOOD	1	
15	92902-08100-00	WASHER, SPRING	4	
16	YF0-11535-08-22	BOLT	2	
17	95380-08600-00	NUT	4	
18	92902-08100-00	WASHER, SPRING	4	
19	(YF1-49414-14-31)	WASHER	2	
20	(YF1-49414-14-51)	WASHER	2	
21	90176-08023-00	NUT, CROWN (YF6-26335-42-82)	2	
22	YK0-40135-00-80	WASHER, PLAIN (YF0-40135-00-80)	2	
23	YF1-49110-17-60	BOLT	1	
24	73W-24161-00-00	EMBLEM 1	1	
	75N-24161-00-00	EMBLEM 1	1	

CONTINUED ON NEXT FRAME ►

HOOD

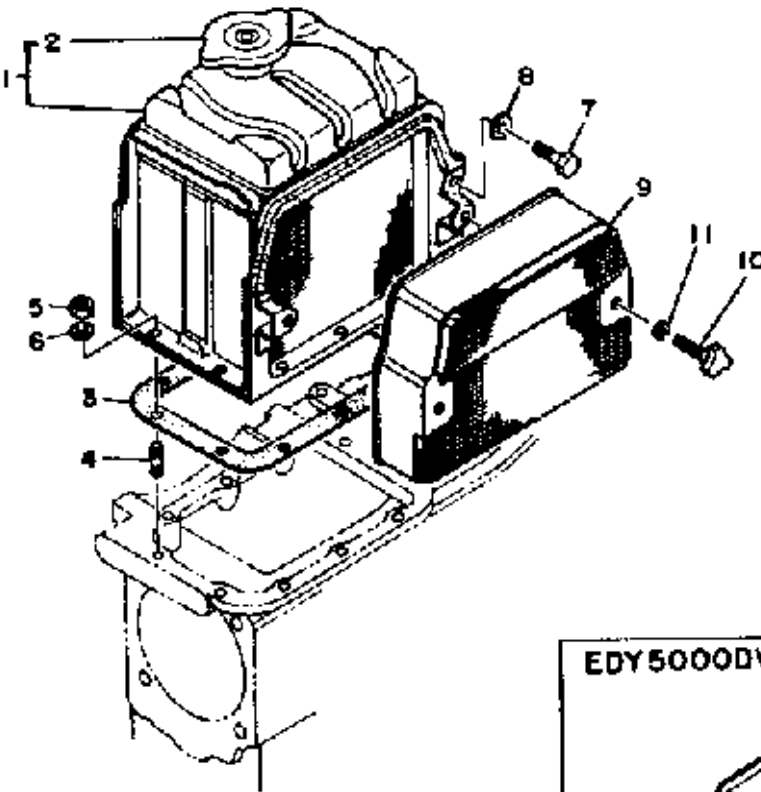


Ref. No.	Part Number	Description	Qty	Remarks
25	73T-21788-00-00	GRAPHIC	1	
26	73T-2415A-00-00	LABEL, CAUTION	1	
27	73T-2415E-00-00	LABEL, CAUTION	1	

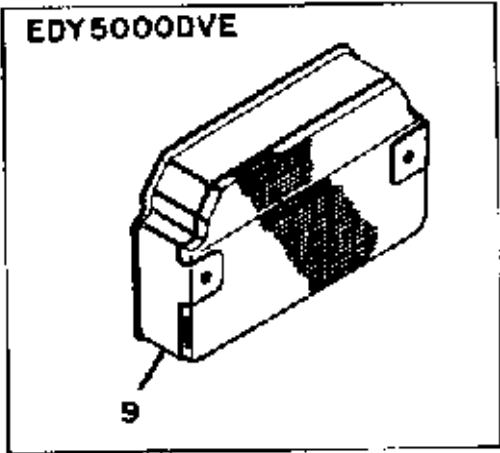


73W110-4140

RADIATOR

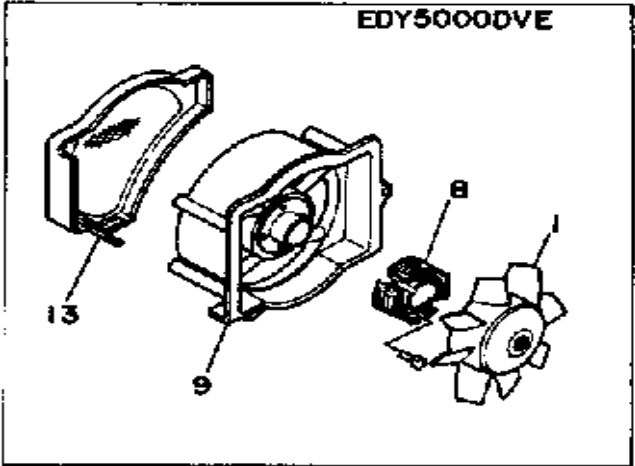
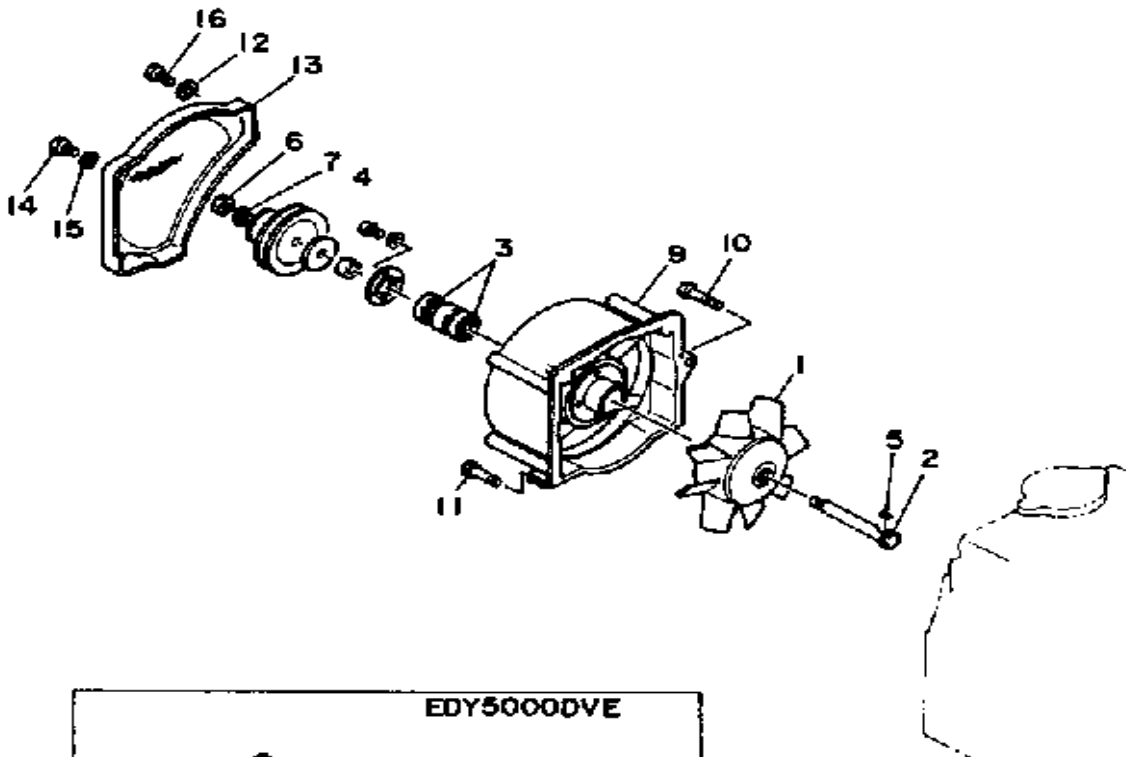


73W110-4150



Ref. No.	Part Number	Description	Qty	Remarks
1	YF1-42327-20-60	RADIATOR ASS'Y	1	
	YF1-91047-20-61	RADIATOR ASS'Y	1	
2	YF1-49527-20-30	.. CAP, RADIATOR	1	
	YF1-91047-20-31	.. CAP, RADIATOR	1	
3	YF1-49117-21-21	GASKET, RADIATOR	1	
	YF1-49217-21-21	GASKET, RADIATOR	1	
4	YF0-15135-06-16	STUD	10	
5	95380-06600-00	NUT	10	
6	YK0-45125-00-60	WASHER, SPRING (YF0-45125-00-60)	10	
7	YF0-10235-06-14	BOLT	1	
8	YK0-40125-00-60	WASHER, PLAIN (YF0-40125-00-60)	1	
9	YF1-49117-22-53	NET, RADIATOR	1	
	YF1-49217-22-52	NET, RADIATOR	1	
10	YF0-18205-06-35	KNOB	2	
11	YF0-46130-00-50	CIRCLIP	2	

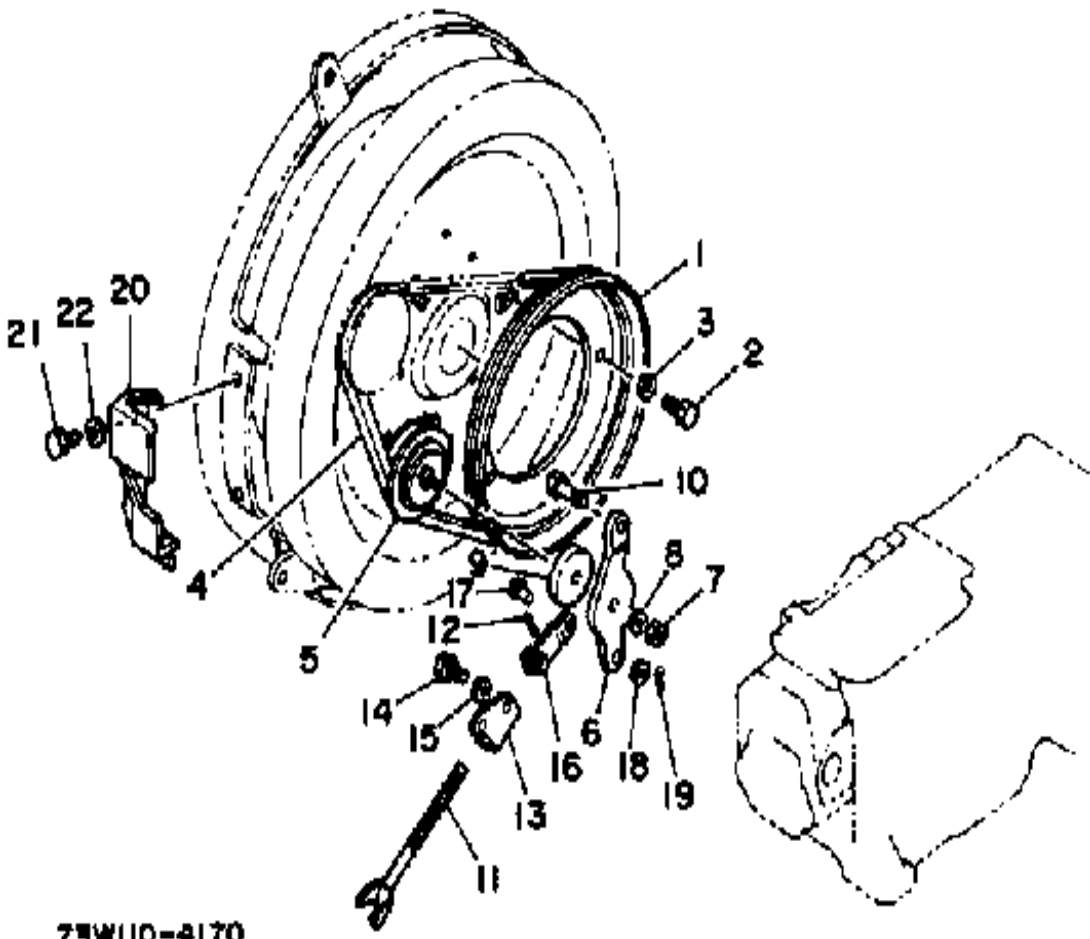
COOLING FAN



Ref. No.	Part Number	Description	Qty	Remarks
1	YF1-46827-41-11	FAN, COOLING	1	
	YF1-49227-41-11	FAN, COOLING	1	
2	YF1-46817-41-41	SHAFT, COOLING	1	
3	(YF0-81310-62-01)	BASE ASSEMBLY	2	
4	YF1-44717-42-50	PULLEY, COOLING FAN	1	
	YF1-91047-42-52	PULLEY, COOLING FAN	1	
5	YF0-58110-04-13	KEY, WOODRUFF	1	
6	YF0-21125-01-20	NUT	1	
7	92901-12100-00	WASHER, SPRING	1	
8	YF1-44737-42-00	COIL ASS'Y	1	
9	YF1-49127-42-13	BRACKET, COOLING FA	1	
	YF1-49387-42-11	BRACKET, COOLING FA	1	
10	YF0-11235-08-28	BOLT	1	
	YF0-11235-08-30	BOLT	1	
11	YF0-11235-08-22	BOLT	2	
	YF0-11235-08-25	BOLT	2	
12	92902-08100-00	WASHER, SPRING	1	
13	YF1-44717-41-20	UNAVAILABLE IN PRICE BOOK	1	
14	YF0-12225-06-12	BOLT	2	
15	YK0-45125-00-60	WASHER, SPRING (YF0-45125-00-60)	2	
16	(YF0-11535-08-14)	BOLT	1	

73W110-4160

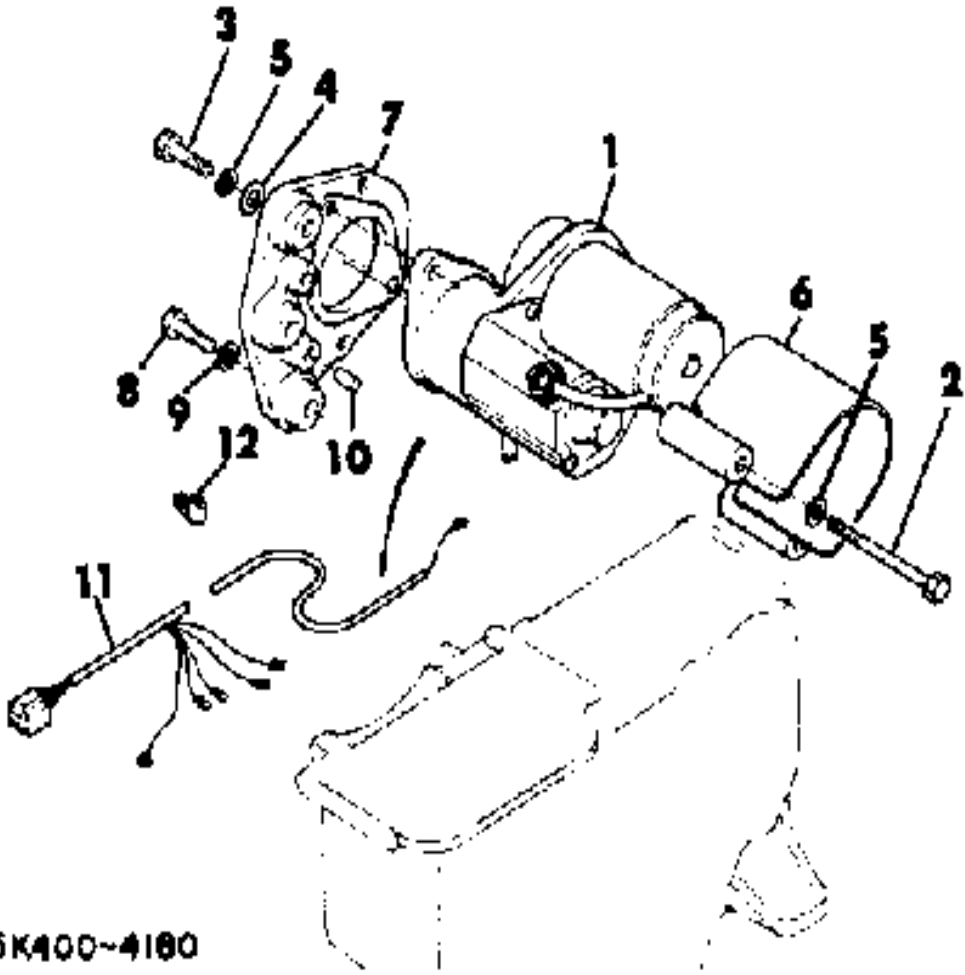
TENSION



Ref. No.	Part Number	Description	Qty	Remarks
1	YF1-49417-42-81	PULLEY, COOLING FAN	1	
2	YF0-11505-08-18	BOLT	3	
3	92902-08100-00	WASHER, SPRING	3	
4	YF1-49119-70-12	BELT, FAN (FM37.6) (FM37.6)	1	
	YF1-49219-70-10	BELT, FAN	1	
5	YF1-49117-43-20	PULLEY, TENSION	1	
6	YF1-49117-43-20	PULLEY, TENSION	1	
	YF1-49217-44-10	SUPPORT, TNSN PLY	1	
7	95380-08600-00	NUT	1	
8	92902-08100-00	WASHER, SPRING	1	
9	YF1-49117-47-70	CAP	1	
10	YF0-11235-10-30	BOLT	1	
11	YF1-49117-49-41	BOLT, TENSION	1	
12	(YF0-55115-16-12)	PIN, SPLIT	1	
13	YF1-49117-49-50	GUIDE, TENSION BOLT	1	
	YF1-49217-49-50	GUIDE, TENSION BOLT	1	
14	(YF0-11505-08-16)	BOLT	2	
15	92902-08100-00	WASHER, SPRING	2	
16	YF1-49117-43-60	ARM, TENSION PULLEY	1	
17	(YF0-51225-08-14)	PIN	1	
18	92990-08600-00	WASHER, PLATE	1	
19	YF0-55115-02-15	PIN, SPLIT	1	
20	YF1-49127-43-40	COVER, TNSN PLY	1	
	YF1-49227-43-40	COVER, TNSN PLY	1	
21	YF0-12225-06-10	BOLT	2	
22	YK0-45125-00-60	WASHER, SPRING (YF0-45125-00-60)	2	

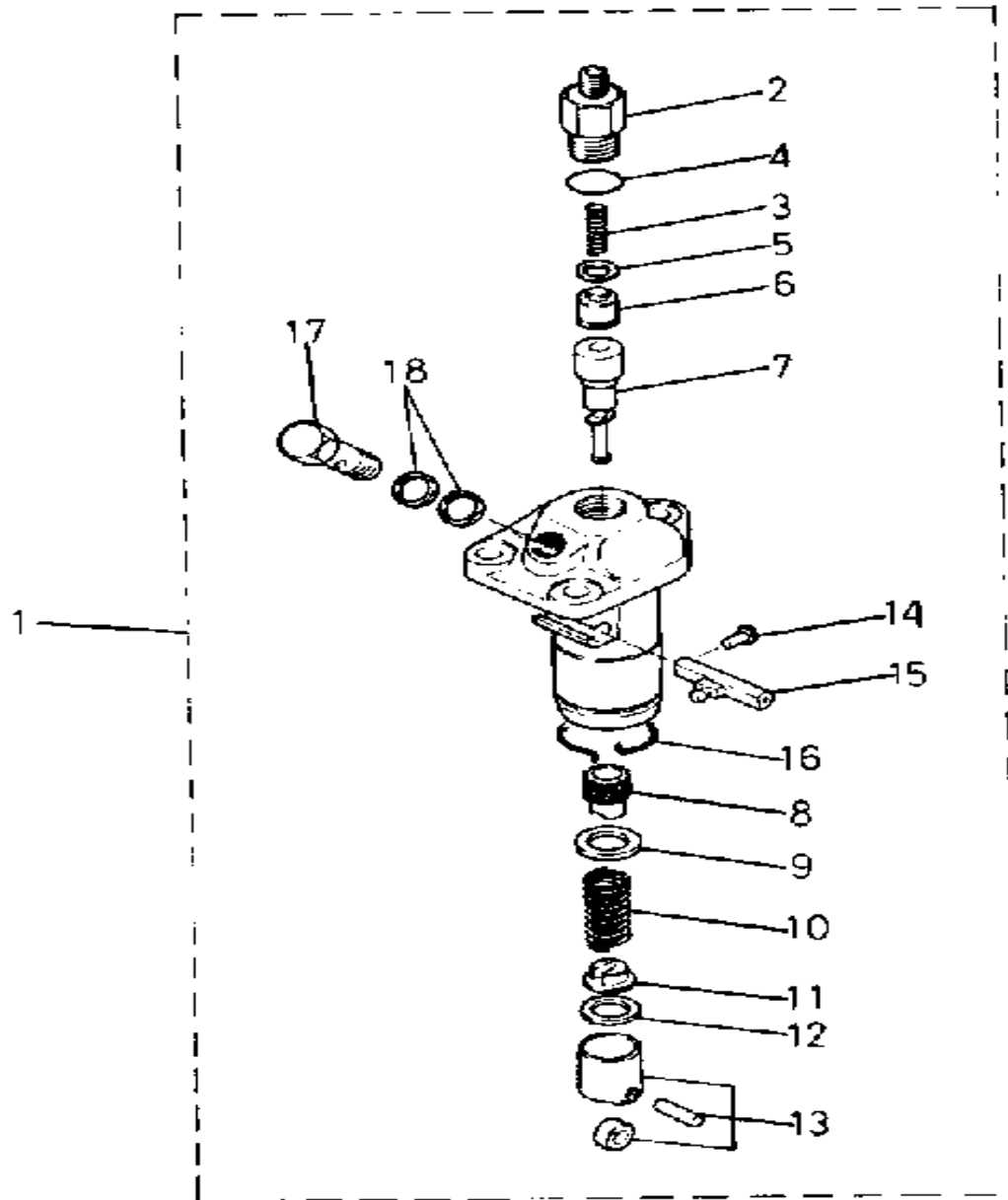
STARTER EDY 5000 DVE

Ref. No.	Part Number	Description	Qty	Remarks
1	YF1-49386-30-10	STARTER ASS'Y (YF1-42816-30-30)	1	
2	YF0-11735-10-00	BOLT	1	
3	YF0-11735-10-45	BOLT	1	
4	YK0-40135-01-00	WASHER, PLAIN	1	
5	92901-10100-00	WASHER, SPRING	2	
6	YF1-91946-35-40	COVER, STARTER	1	
7	YF1-49386-38-90	BRACKET, STARTER	1	
8	YF0-11535-08-35	BOLT	3	
9	92902-08100-00	WASHER, SPRING	3	
10	YF0-50120-06-14	PIN, DOWEL	2	
11	YF1-79646-57-90	WIRE HARNESS	1	
12	YF3-22403-44-90	CLAMP, CORD 3	1	



75K400~4180

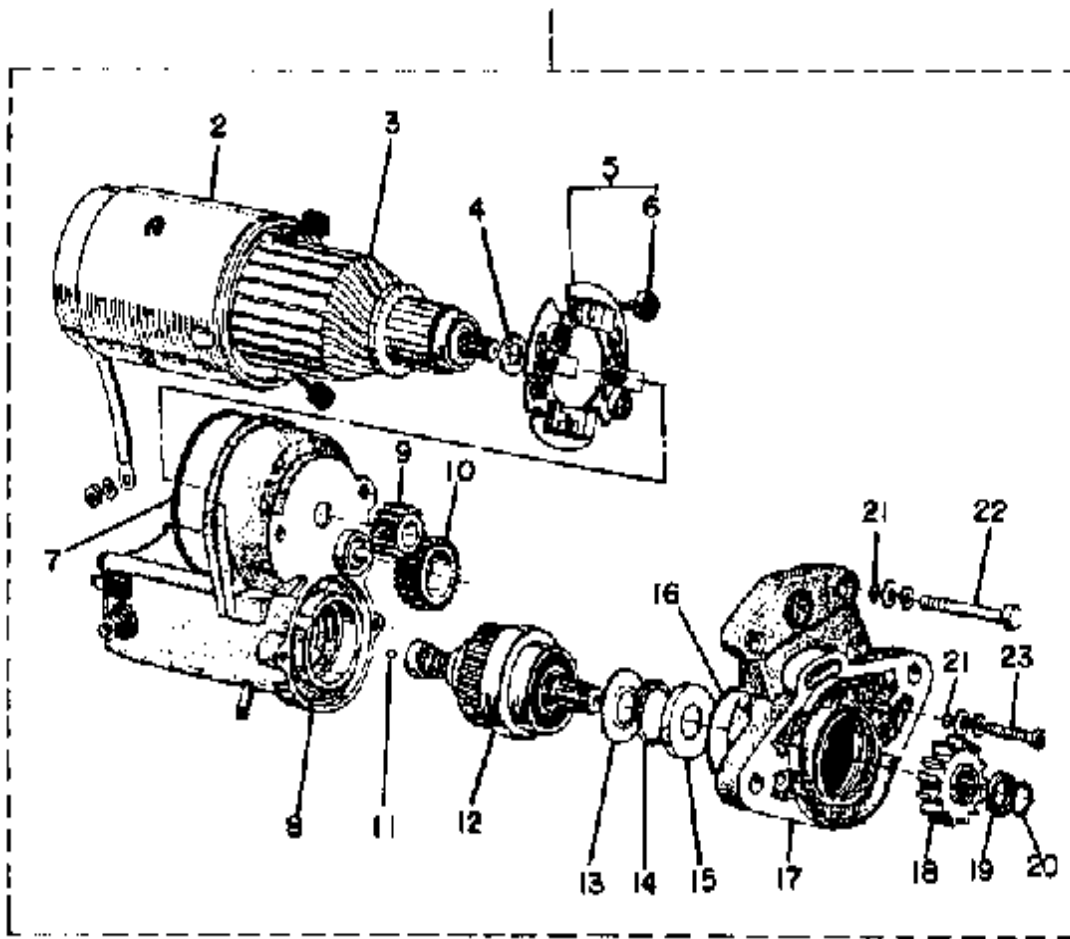
INJECTION PUMP (SECTION PARTS)



73T400-4180

Ref. No.	Part Number	Description	Qty	Remarks
1	YF1-49015-10-11	INJECTION PUMP ASSEMBLY	1	
	YF1-49315-10-11	INJECTION PUMP ASSEMBLY	1	
2	YF1-52215-12-21	.. HOLDER, DLVRY VLV	1	
3	YF1-52215-12-31	.. SPRING, DLVRY VLV	1	
4	YF1-46115-12-01	.. O-RING	1	
5	YF1-52215-12-41	.. GASKET, DLVRY VLV	1	
6	YF1-52215-10-31	.. VALVE, DELIVERY	1	
7	YF1-49115-10-51	.. ELEMENT, PUMP	1	
8	YF1-52215-13-81	.. SLEEVE, CONTROL	1	
9	YF1-52215-12-71	.. SEAT, SPRING UPPE	1	
10	YF1-52215-12-81	.. SPRING, PLUNGER	1	
11	YF1-52215-12-91	.. SEAT, SPRING UPPE	1	
12	YF1-52215-14-91	.. SHIM	1	
13	YF1-56015-10-70	.. TAPPET ASS'Y	1	
14	YF1-52215-12-51	.. PIN, TAPPET GUID	1	
15	YF1-49115-10-61	.. RACK, CONTROL	1	
16	YF1-49115-14-31	.. PIN, CLAMP	1	
17	YF1-49115-13-21	.. SCREW	1	
18	YF1-52219-66-51	.. GASKET	2	

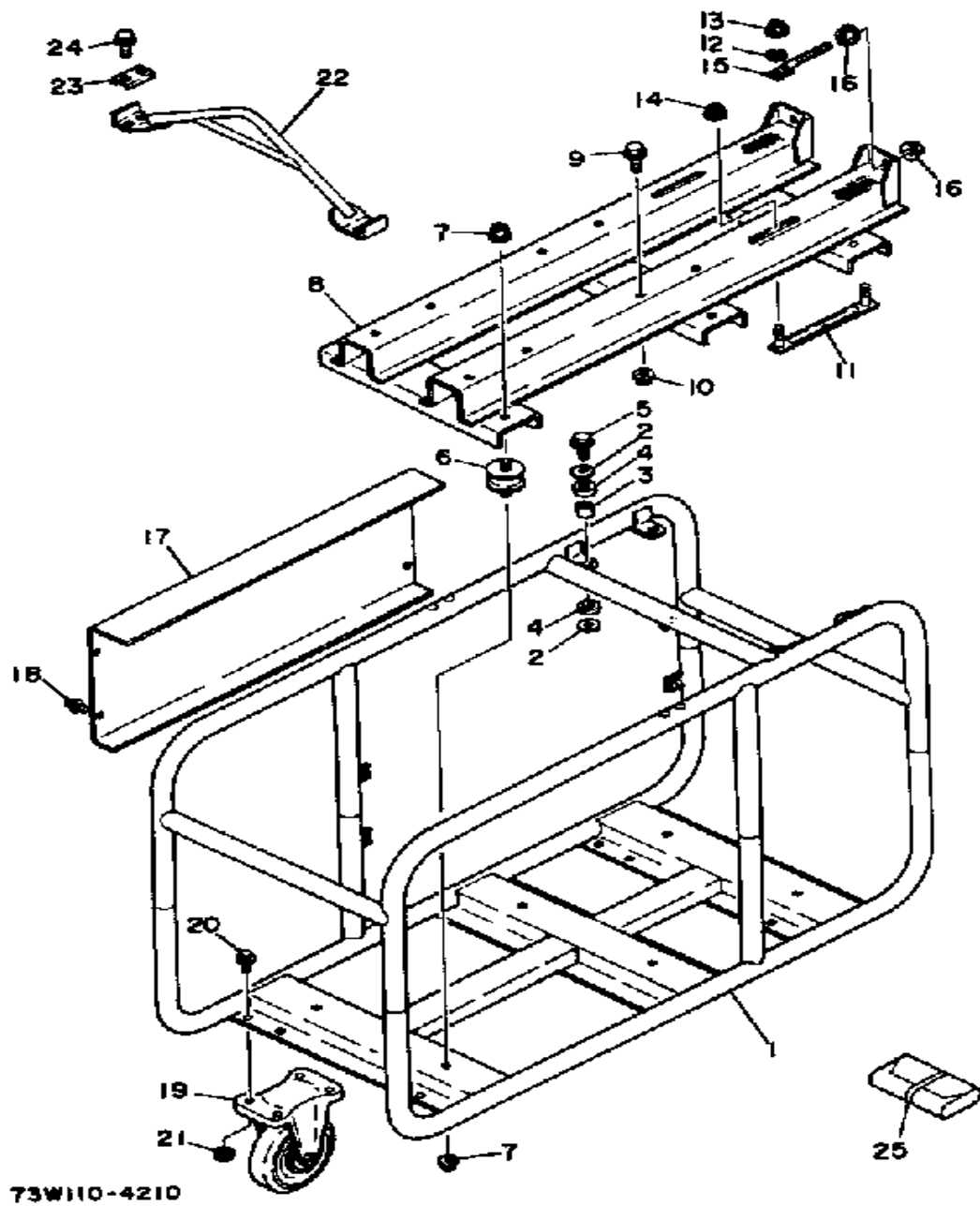
STARTER (SECTION PARTS) EDY 5000 D



75K400-4200

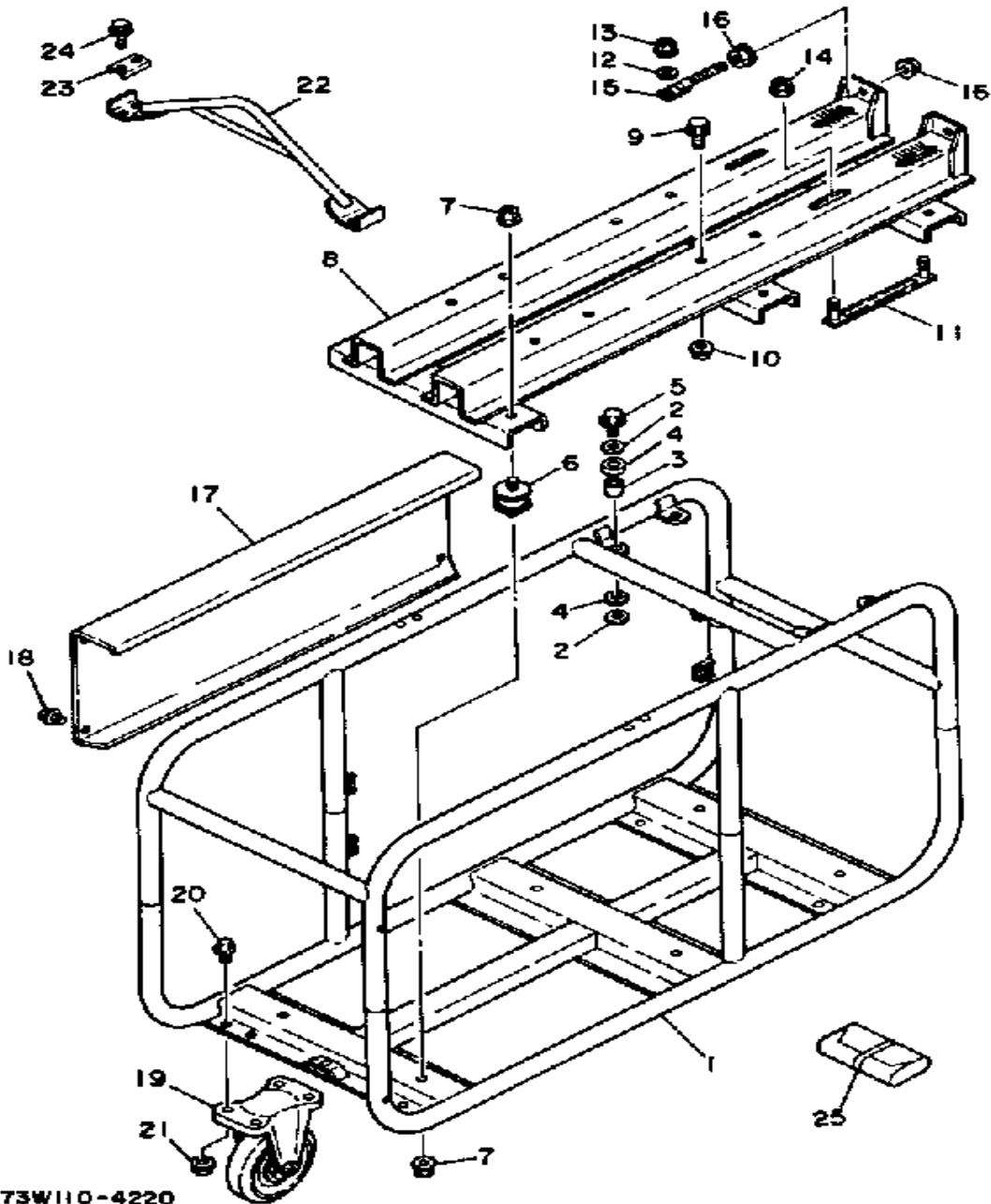
Ref. No.	Part Number	Description	Qty	Remarks
1	YF1-49386-30-10	STARTER ASS'Y (YF1-42816-30-30)	1	
2	YF1-54716-30-80	.. YOKE	1	
3	YF1-55216-30-70	.. ARMATURE	1	
4	YF1-55219-66-70	.. GASKET	1	
5	YF1-54016-33-80	.. HOLDER, BRUSH	1	
6	YF1-54016-33-90	.. SPRING, BRUSH	4	
7	YF1-54019-66-60	.. GASKET	1	
8	YF1-55216-30-20	.. SWITCH	1	
9	YF1-54016-32-60	.. GEAR 1	1	
10	YF1-54016-32-70	.. GEAR	1	
11	YF1-55219-71-30	.. BALL	1	
12	YF1-47846-30-40	.. SWITCH	1	
13	YF1-47846-34-40	.. WASHER, THRUST	1	
14	YF1-47846-34-90	.. SPRING, RETURN	1	
15	YF1-47846-34-80	.. HOLDER, SPRING	1	
16	YF1-47849-67-50	.. O-RING	1	
17	YF1-49386-30-10	.. STARTER ASS'Y (YF1-42816-30-30)	1	
18	YF1-42816-32-80	.. GEAR	1	
19	YF1-47846-34-30	.. WASHER, THRUST	1	
20	YF1-47846-33-70	.. CIRCLIP	1	
21	YF1-47869-67-60	.. O-RING	4	
22	YF1-54016-33-20	.. BOLT, THROUGH	2	
23	YF1-47849-33-10	.. SCREW	2	

FRAME EDY 3000 DV



Ref. No.	Part Number	Description	Qty	Remarks
1	73W-22810-00-35	FRAME ASSEMBLY. (73W-22810-00-20)	1	CRYSTAL SLV
2	90201-06407-00	WASHER, PLATE (90201-06747-00)	8	
3	90387-06387-00	COLLAR	4	
4	(90202-11155-00)	WASHER, PLATE	8	
5	95801-06030-00	BOLT, FLANGE	4	
6	73T-22891-00-00	INSULATOR, MOUNTING	6	
7	95701-10500-00	NUT, FLANGE (95702-10500)	12	
8	73T-2280E-00-20	COMMON BED COMP. (95801-10030)	1	CRYSAL SLV
9	73T-2280E-00-20	COMMON BED COMP. (95801-10030)	4	
10	95701-10500-00	NUT, FLANGE (95702-10500)	4	
11	73T-2284M-00-00	PLATE 9	2	
12	92990-10100-00	WASHER, SPRING	2	
13	90179-10279-00	NUT	2	
14	95701-10500-00	NUT, FLANGE (95702-10500)	2	
15	73T-2280N-00-00	NUT, ADJUST BOLT	2	
16	95701-10500-00	NUT, FLANGE (95702-10500)	4	
17	73T-2289E-00-86	COVER, V-BELT	1	NAIAD BLUE
18	95811-06010-00	BOLT, FLANGE	4	
19	73T-22845-00-00	CASTER 1	1	
20	95811-10020-00	BOLT, FLANGE (95822-10020-00)	16	
21	95701-10500-00	NUT, FLANGE (95702-10500)	16	
22	73W-22803-00-20	HANGER COMP.	1	
23	73W-22823-00-20	MEMBER 3	2	CRYSTAL SLV
24	95811-08045-00	BOLT, FLANGE (JN5)	4	
25	73T-28100-00-00	TOOL KIT	1	

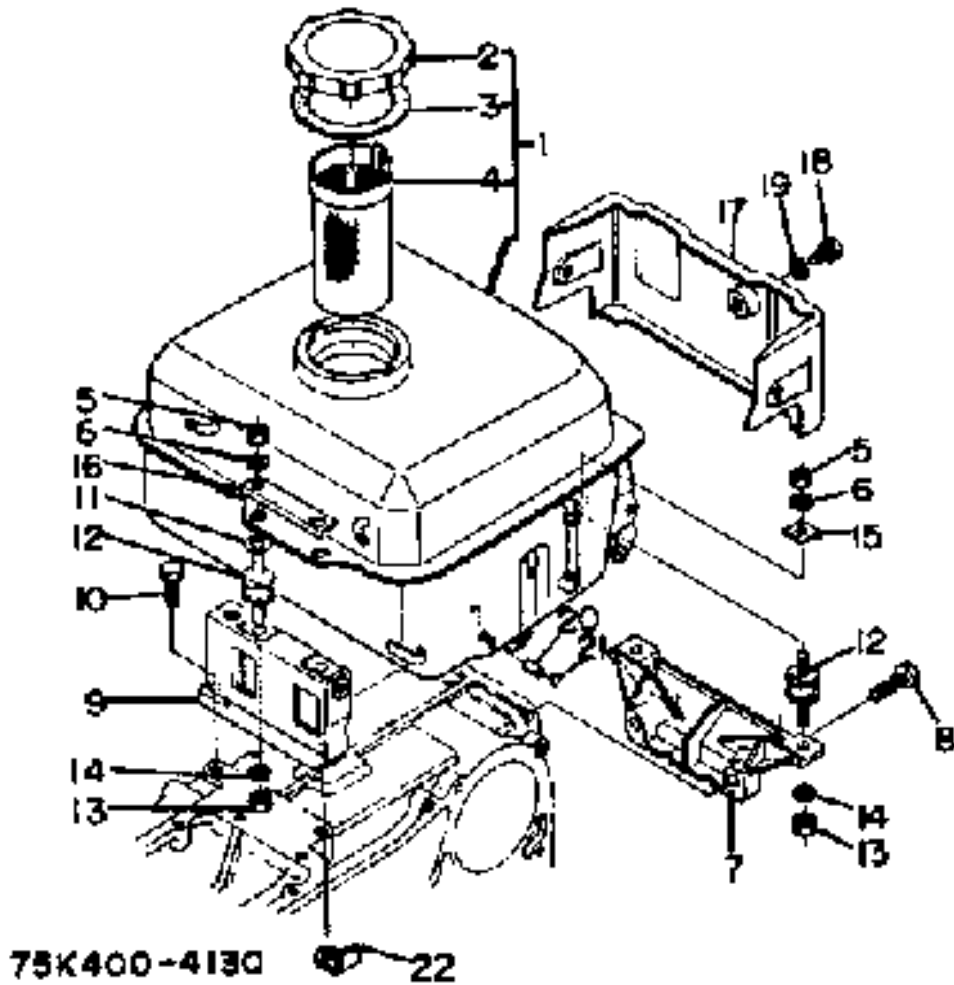
FRAME EDY 5000 DVE



73W110-4220

Ref. No.	Part Number	Description	Qty	Remarks
1	75N-22810-00-20	FRAME ASSEMBLY	1	CRYSTAL SLV
2	90201-06407-00	WASHER, PLATE (90201-06747-00)	8	
3	90387-06387-00	COLLAR	4	
4	(90202-11155-00)	WASHER, PLATE	8	
5	95801-06030-00	BOLT, FLANGE	4	
6	73T-22891-00-00	INSULATOR, MOUNTING	6	
7	95701-10500-00	NUT, FLANGE (95702-10500)	12	
8	75K-2280E-00-20	COMMON BED COMP.	1	CRYSTAL SLV
9	95811-10030-00	BOLT, FLANGE	4	
10	95701-10500-00	NUT, FLANGE (95702-10500)	4	
11	73T-2284M-00-00	PLATE 9	2	
12	92990-10100-00	WASHER, SPRING	2	
13	91079-10279-00	UNAVAILABLE IN PRICE BOOK	2	
14	95701-10500-00	NUT, FLANGE (95702-10500)	2	
15	73T-2280N-00-00	NUT, ADJUST BOLT	2	
16	95701-10500-00	NUT, FLANGE (95702-10500)	4	
17	75K-2289E-00-86	COVER, V-BELT	1	NAIAD BLUE
18	95811-06010-00	BOLT, FLANGE	4	
19	73T-22845-00-00	CASTER 1	4	
20	95811-10020-00	BOLT, FLANGE (95822-10020-00)	16	
21	95701-10500-00	NUT, FLANGE (95702-10500)	16	
22	73W-22803-00-20	HANGER COMP.	1	CRYSTAL SLV
23	73W-22823-00-20	MEMBER 3	2	CRYSTAL SLV
24	95811-08045-00	BOLT, FLANGE (JN5)	4	
25	73T-28100-00-00	TOOL KIT	1	

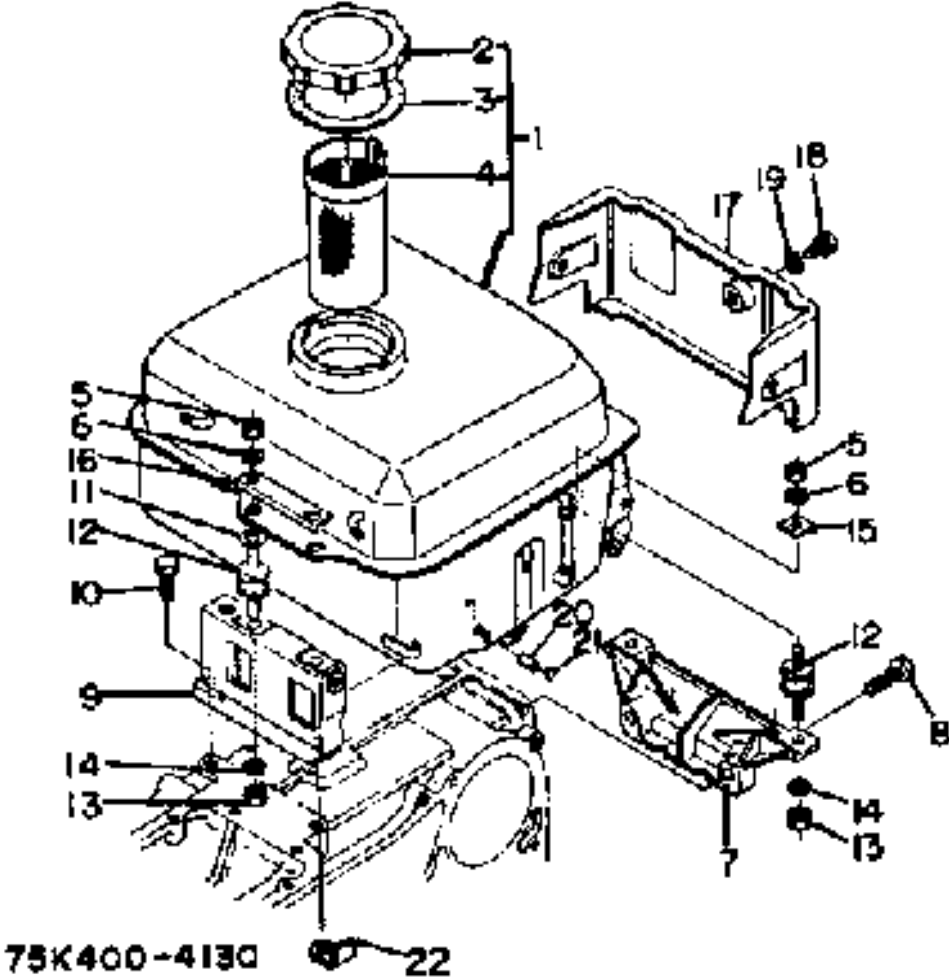
FUEL TANK



Ref. No.	Part Number	Description	Qty	Remarks
1	YF1-44714-10-10	FUEL TANK ASS'Y	1	
	YF1-44754-10-10	FUEL TANK ASS'Y	1	
2	YF1-44714-12-60	.. CAP, FUEL TANK	1	
3	YF1-46814-13-43	.. GASKET	1	
4	YF1-42614-13-52	.. FILTER	1	
5	95380-08600-00	NUT	4	
6	92902-08100-00	WASHER, SPRING	4	
7	YF1-91044-11-91	BRACKET, REAR	1	
	YF1-91054-11-91	BRACKET, REAR	1	
8	YF0-11235-08-28	BOLT	2	
9	YF1-49114-11-32	SUPPORT, FUEL TANK	1	
	YF1-49214-11-32	SUPPORT, FUEL TANK	1	
10	YF0-11235-08-25	BOLT	2	
	YF0-11235-10-28	BOLT	2	
11	YF1-49384-11-70	WASHER, PLAIN	4	
12	YF1-49114-14-11	RUBBER, ABSORBER	4	
	YF1-49384-14-10	RUBBER, ABSORBER	4	
13	95380-08600-00	NUT	4	
14	92902-08100-00	WASHER, SPRING	4	
15	(YF1-49414-14-31)	WASHER	2	
	YF1-49384-14-30	WASHER	2	
16	YF1-49114-11-81	WASHER	1	
	YF1-49384-11-80	WASHER	1	
17	(YF1-78024-12-20)	COVER, TANK STAY	1	
	YF1-78034-12-20	COVER, TANK STAY	1	
18	YF0-12025-06-14	BOLT	3	
19	YK0-40125-00-60	WASHER, PLAIN (YF0-40125-00-60)	3	
20	YF1-47814-27-91	CAP	1	

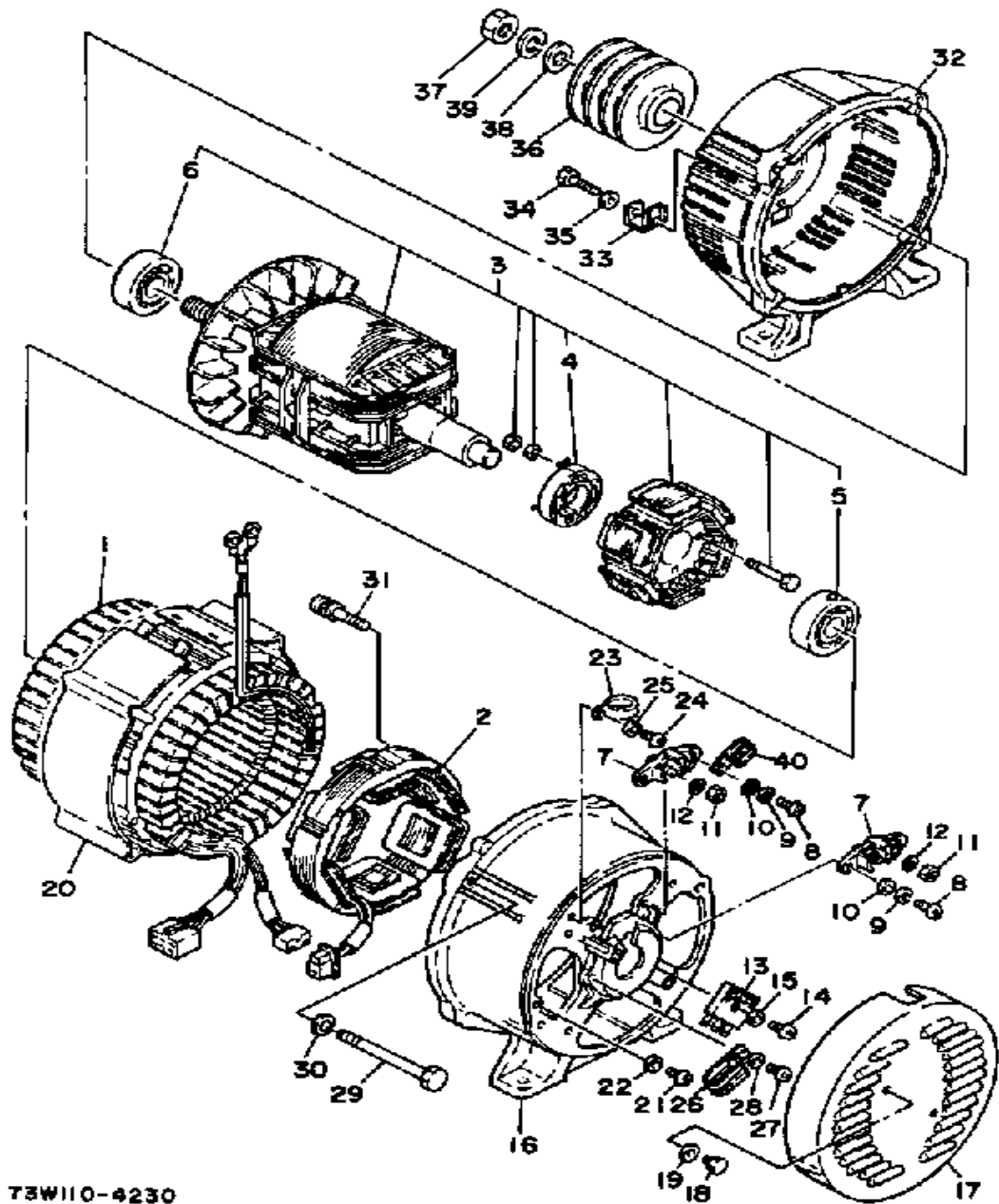
CONTINUED ON NEXT FRAME ►

FUEL TANK



Ref. No.	Part Number	Description	Qty	Remarks
21	YF1-49714-27-51	. CLAMP, PIPE	1	
22	YF3-41502-93-70	CLAMP, CORD	4	

GENERATOR EDY 3000 DV



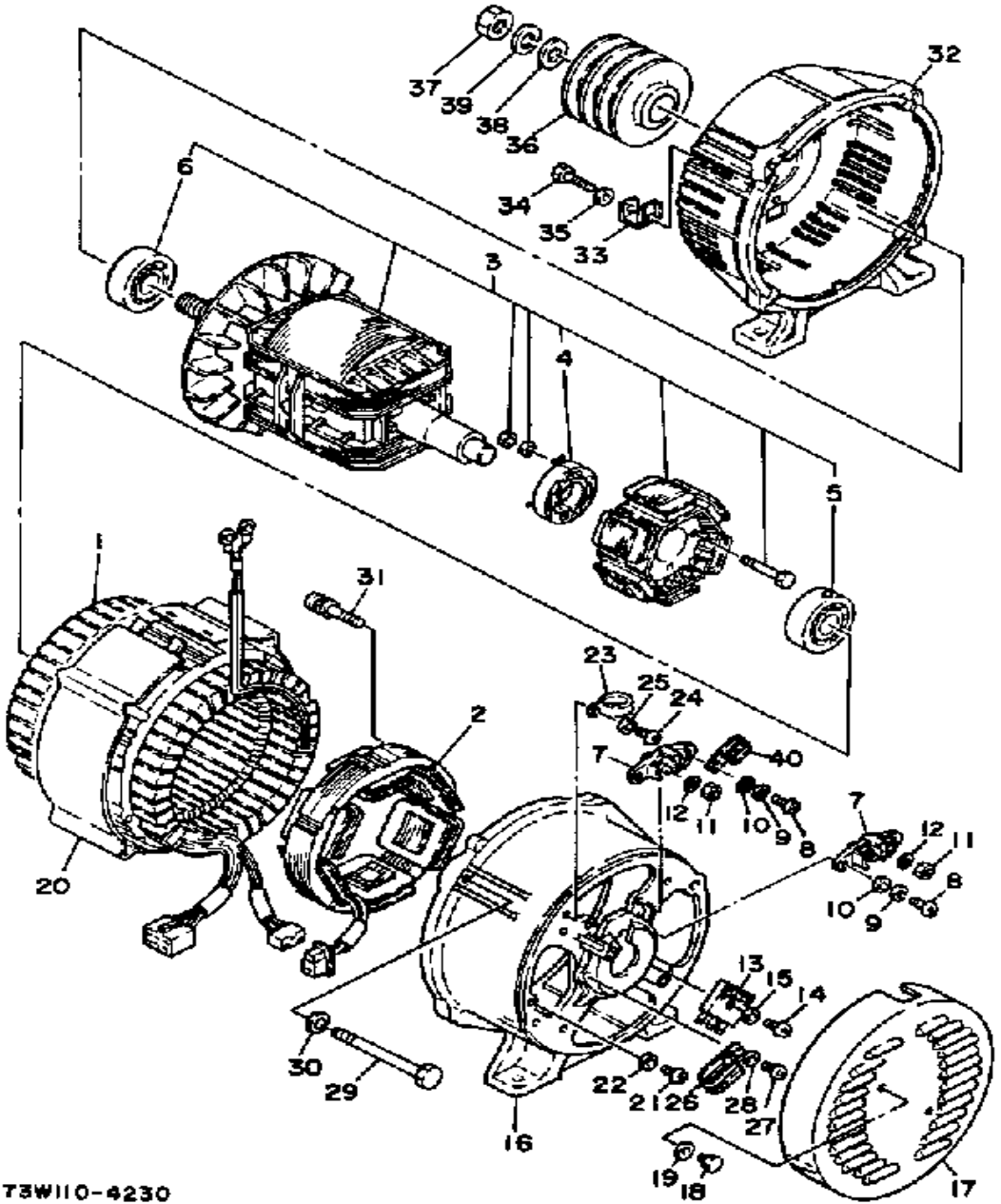
73W110-4230

Ref. No.	Part Number	Description	Qty	Remarks
1	73W-87150-90-00	STATOR ASS'Y (115/ (115/230-60HZ))	1	
2	73A-8712A-01-00	STATOR EXITER ASSEMBLY	1	
3	(73T-87160-01-00)	ROTOR ASSEMBLY	1	
4	73A-87109-09-00	. ROTOR REPAIR KIT (73A-87115-00)	1	
5	93306-37202-00	. BEARING	1	
6	93306-20632-00	.. BEARING	1	
7	7H9-87220-00-00	TERMINAL ASSEMBLY SUB-ASSEMBLY 1	2	
8	98580-05014-00	SCREW, PAN HEAD	4	
9	92990-05100-00	WASHER, SPRING	4	
10	92901-05600-00	WASHER, PLATE	4	
11	95311-05700-00	NUT	4	
12	92990-05100-00	WASHER, SPRING	4	
13	7H5-87105-01-00	RECTIFIER ASSEMBLY 1	1	
14	98580-05016-00	SCREW, PAN HEAD	1	
15	92901-05600-00	WASHER, PLATE	1	
16	73T-87131-00-00	FRAME, REAR	1	
17	73A-87174-00-86	COVER, REAR END (73A-87174-00)	1	NAIAD BLUE
18	97011-06010-00	BOLT	2	
19	90201-061A5-00	WASHER, PLATE	2	
20	73K-87153-00-00	COVER, STATOR	1	
21	98580-05010-00	SCREW, PAN HEAD	1	
22	92901-05600-00	WASHER, PLATE	1	
23	90465-08146-00	CLAMP	1	
24	98580-05010-00	SCREW, PAN HEAD	1	
25	92901-05600-00	WASHER, PLATE	1	
26	90462-05061-00	CLAMP	1	

CONTINUED ON NEXT FRAME ►

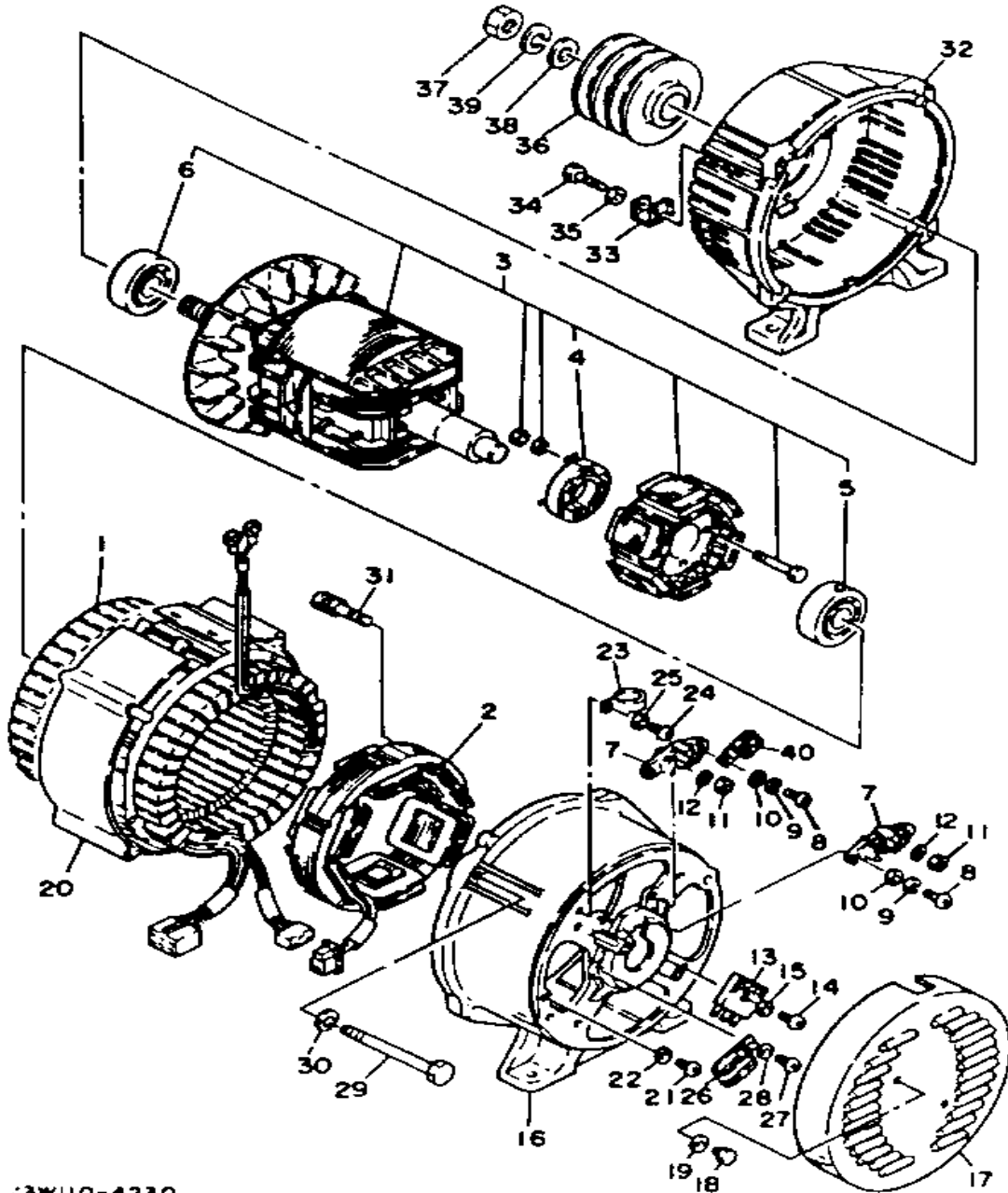
GENERATOR EDY 3000 DV

Ref. No.	Part Number	Description	Qty	Remarks
27	98580-05010-00	SCREW, PAN HEAD	1	
28	92901-05600-00	WASHER, PLATE	1	
29	97322-06105-00	BOLT, HEXAGON	4	
30	92901-06600-00	WASHER	4	
31	90159-05091-00	SCREW, WITH WASHER	4	
32	73T-87121-00-00	FRAME, FRONT	1	
33	73T-87123-00-00	PLATE, BEARING	3	
34	97301-05030-00	BOLT, HEXAGON (97302-05030)	3	
35	92901-05600-00	WASHER, PLATE	3	
36	73T-87171-01-20	PLY, GNRTR (60HZ) (60HZ)	1	CRYSTAL SLV
37	95303-16600-00	NUT (95301-16600)	1	
38	92901-16600-00	WASHER	1	
39	92901-16100-00	WASHER, SPRING	1	
40	90462-05059-00	CLAMP	1	



73W110-4230

GENERATOR EDY 5000 DVE

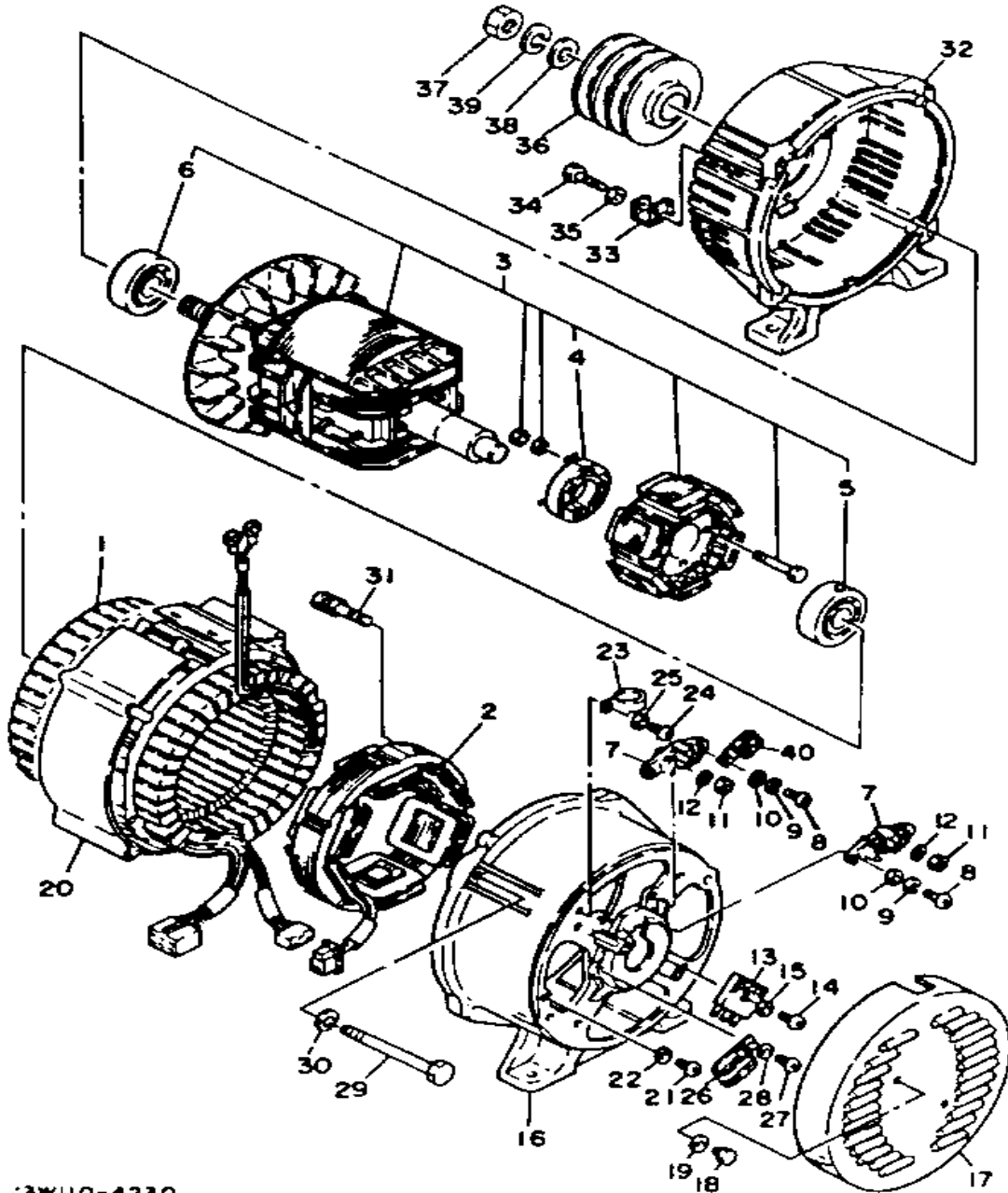


3W110-4230

Ref. No.	Part Number	Description	Qty	Remarks
1	74H-87150-90-00	STATOR ASSEMBLY (115/2 (115/230-60HZ))	1	
2	73A-8712A-01-00	STATOR EXITER ASSEMBLY	1	
3	74E-87160-01-00	ROTOR ASSEMBLY (7HE-87160-00)	1	
4	73A-87109-09-00	ROTOR REPAIR KIT (73A-87115-00)	1	
5	93306-37202-00	BEARING	1	
6	93306-20632-00	BEARING	1	
7	7H9-87220-00-00	TERMINAL ASSEMBLY SUB-ASSEMBLY 1	2	
8	98580-05014-00	SCREW, PAN HEAD	4	
9	92990-05100-00	WASHER, SPRING	4	
11	95311-05700-00	NUT	4	
12	92990-05100-00	WASHER, SPRING	4	
13	7H5-87105-01-00	RECTIFIER ASSEMBLY 1	1	
14	98580-05016-00	SCREW, PAN HEAD	1	
15	92901-05600-00	WASHER, PLATE	1	
16	73A-87131-00-00	FRAME, REAR	1	
17	73A-87174-00-86	COVER, REAR END (73A-87174-00)	1	NAIAD BLUE
18	97011-06010-00	BOLT	2	
19	90201-061A5-00	WASHER, PLATE	2	
20	74E-87153-00-00	COVER, STATOR	1	
21	98580-05010-00	SCREW, PAN HEAD	1	
22	92901-05600-00	WASHER, PLATE	1	
23	90465-08146-00	CLAMP	1	
24	98580-05010-00	SCREW, PAN HEAD	1	
25	92901-05600-00	WASHER, PLATE	1	
26	90462-05061-00	CLAMP	1	

CONTINUED ON NEXT FRAME ►

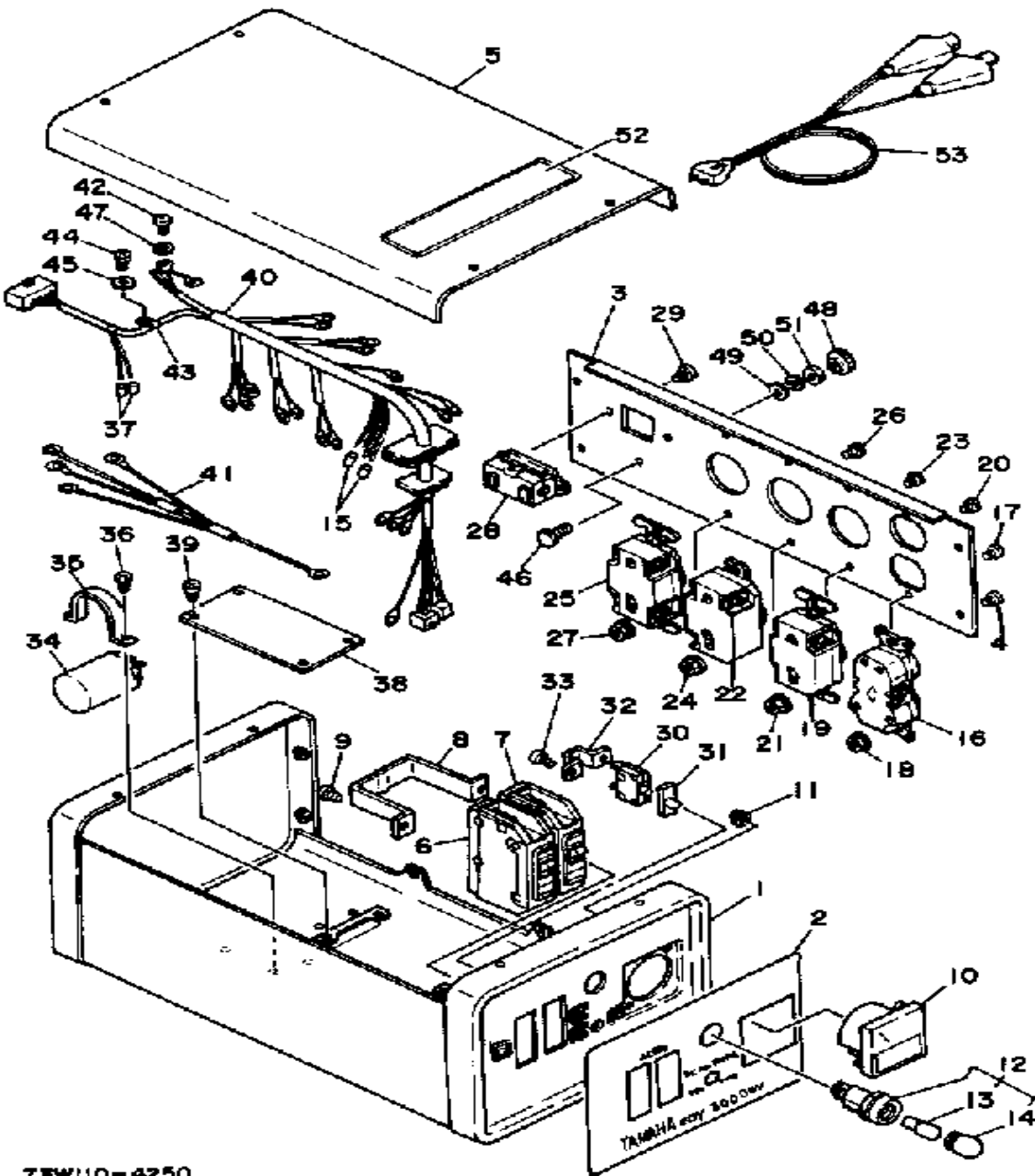
GENERATOR EDY 5000 DVE



Ref. No.	Part Number	Description	Qty	Remarks
27	98580-05010-00	SCREW, PAN HEAD	1	
28	92901-05600-00	WASHER, PLATE	1	
29	97322-06145-00	BOLT, HEXAGON	4	
30	92901-06600-00	WASHER	4	
31	90159-05091-00	SCREW, WITH WASHER	4	
32	73T-87121-00-00	FRAME, FRONT	1	
33	73T-87123-00-00	PLATE, BEARING	3	
34	97301-05030-00	BOLT, HEXAGON (97302-05030)	3	
35	92901-05600-00	WASHER, PLATE	3	
36	73T-87171-01-20	PLY, GNRTR (60HZ) (60HZ)	1	CRYSTAL SLV
37	95303-16600-00	NUT (95301-16600)	1	
38	92901-16600-00	WASHER	1	
39	92901-16100-00	WASHER, SPRING	1	
40	90462-05061-00	CLAMP	1	

3W110-4230

CONTROL BOX EDY 3000 DV

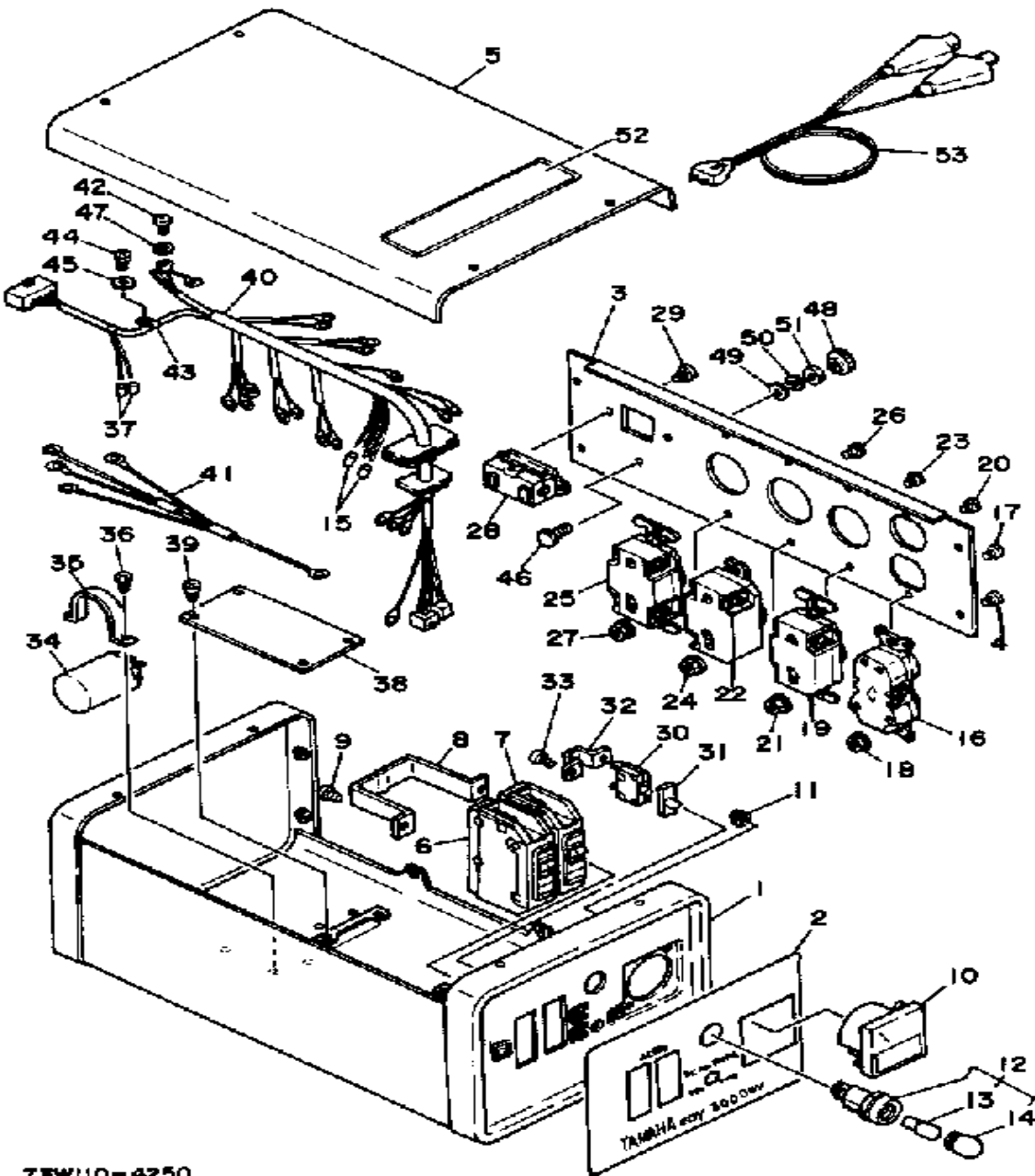


73W110-4250

Ref. No.	Part Number	Description	Qty	Remarks
1	73W-87201-90-86	CONTROL BOX COMP.	3	NAIAD BLUE
2	73W-87217-60-00	PLATE, CONTROL	1	
3	73W-87249-90-98	PLATE	1	LW GLOSS BK
4	98506-05008-00	SCREW, PAN HEAD	6	
5	73T-87213-00-86	COVER, CONTROL BOX	1	NAIAD BLUE
6	73R-87204-00-00	BREAKER COMP.	1	
7	73R-87204-10-00	BREAKER COMP.	1	
8	73H-87244-00-00	HOLDER, BREAKER	1	
9	98511-04006-00	SCREW, PAN HEAD (98501-04005)	2	
10	73H-87202-00-00	METER SUB ASSEMBLY	1	
11	90179-03478-00	NUT, SPEC'L SHAPE 0 2	2	
12	7G5-87251-01-00	SOCKET, PILOT LAMP	1	
13	7G5-87254-00-00	. BULB, PILOT LAMP	1	
14	7G5-87252-00-00	. . LENS, PILOT LIGHT	1	
15	7H5-8719F-00-00	TUBE 7	2	
16	73H-87221-90-00	CONSENT 1 (P&S 5-20R)	1	
17	98506-04008-00	SCREW, PAN HEAD	2	
18	95701-04500-00	NUT, FLANGE	2	
19	73H-87221-70-00	CONSENT 1	1	
20	98506-04008-00	SCREW, PAN HEAD	2	
21	95701-04500-00	NUT, FLANGE	2	
22	73H-87222-90-00	CONSENT 2	1	
23	98506-04008-00	SCREW, PAN HEAD	2	
24	95701-04500-00	NUT, FLANGE	2	
25	73H-87222-70-00	RECEPTACLE 2	1	
26	98506-04008-00	SCREW, PAN HEAD	2	
27	95701-04500-00	NUT, FLANGE	2	
28	73T-87239-00-00	RECEPTACLE COMP	1	

CONTINUED ON NEXT FRAME ►

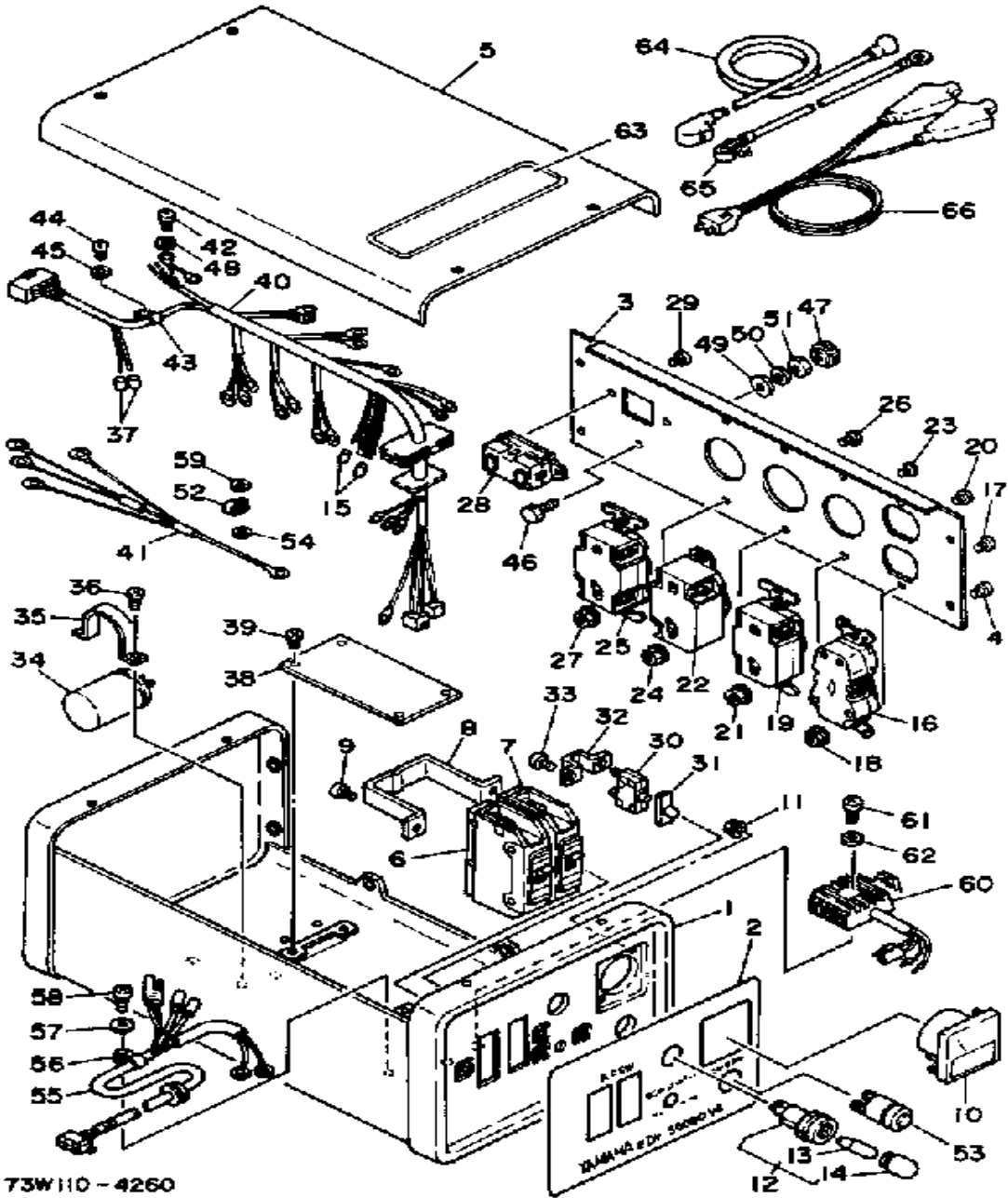
CONTROL BOX EDY 3000 DV



75W110-4250

Ref. No.	Part Number	Description	Qty	Remarks
29	98506-04008-00	SCREW, PAN HEAD	2	
30	7G5-82181-00-00	CIRCUIT BREAKER COMP.	1	
31	7H5-82182-00-00	COVER, CIRCUIT BREAKER	1	
32	73A-87248-00-00	HOLDER, BREAKER 2	1	
33	98511-04006-00	SCREW, PAN HEAD (98501-04005)	2	
34	78R-87107-00-00	CONDENSER ASSEMBLY	1	
35	73T-87216-00-00	HOLDER, CONDENSER	1	
36	98506-04008-00	SCREW, PAN HEAD	2	
37	7H5-8719F-00-00	TUBE 7	2	
38	73A-8722A-21-00	VOLTAGE REGLTR ASSEMBLY	1	
39	98511-04006-00	SCREW, PAN HEAD (98501-04005)	4	
40	73W-87226-90-00	WIRE HARNESS ASSEMBLY	1	
41	73W-82509-90-00	WIRE, SUB LEAD	1	
42	98506-05008-00	SCREW, PAN HEAD	1	
43	90461-11099-00	CLAMP	1	
44	98580-04010-00	SCREW, PAN HEAD	1	
45	92901-04600-00	WASHER, PLATE	1	
46	90101-05563-00	BOLT	1	
47	92901-04600-00	WASHER, PLATE	1	
48	90170-05309-00	NUT, HEXAGON	1	
49	92901-05600-00	WASHER, PLATE	1	
50	92990-05100-00	WASHER, SPRING	1	
51	95380-05600-00	NUT	1	
52	73T-24162-10-00	EMBLEM 2	1	
53	7LG-87209-00-00	CHARGE CORD ASSEMBLY	1	

CONTROL BOX EDY 5000 DVE

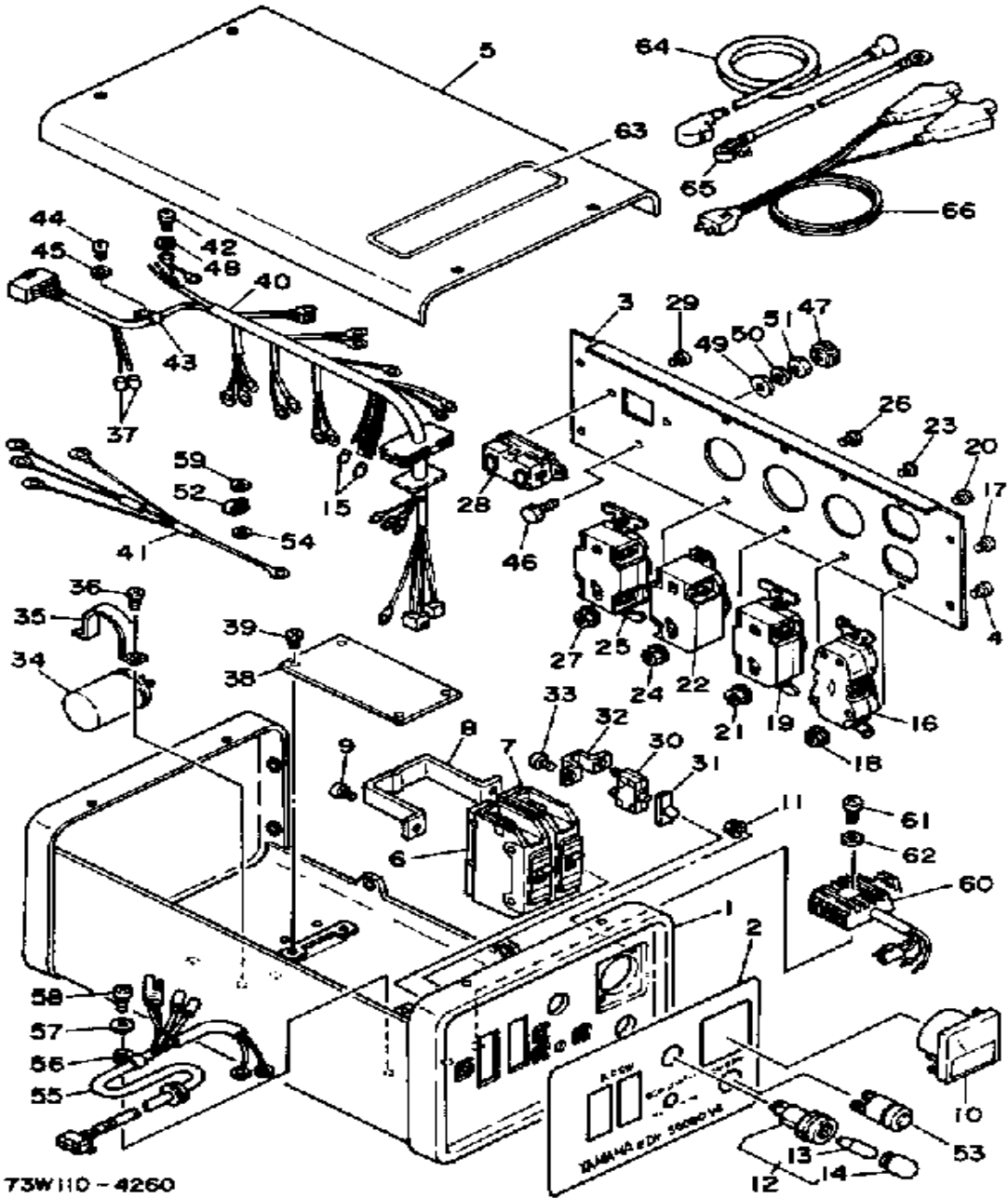


73W110-4260

Ref. No.	Part Number	Description	Qty	Remarks
1	75N-87201-70-86	CONTROL BOX COMP.	1	NAIAD BLUE
2	75N-87217-80-00	PLATE, CONTROL	1	
3	73W-87249-90-98	PLATE	1	LW GLOSS BK
4	98506-05008-00	SCREW, PAN HEAD	6	
5	73T-87213-00-86	COVER, CONTROL BOX	1	NAIAD BLUE
6	7R1-87204-00-00	BREAKER	1	
7	73A-87204-00-00	BREAKER COMP.	1	
8	73H-87244-00-00	HOLDER, BREAKER	1	
9	98511-04006-00	SCREW, PAN HEAD (98501-04005)	2	
10	73H-87202-00-00	METER SUB ASSEMBLY	1	
11	90179-03478-00	NUT, SPEC'L SHAPE 0 2	2	
12	7G5-87251-01-00	SOCKET, PILOT LAMP	1	
13	7G5-87254-00-00	. BULB, PILOT LAMP	1	
14	7G5-87252-00-00	.. LENS, PILOT LIGHT	1	
15	7H5-8719F-00-00	TUBE 7	2	
16	73H-87221-90-00	CONSENT 1 (P&S 5-20R)	1	
17	98506-04008-00	SCREW, PAN HEAD	2	
18	95701-04500-00	NUT, FLANGE	2	
19	73H-87221-70-00	CONSENT 1	1	
20	98506-04008-00	SCREW, PAN HEAD	2	
21	95701-04500-00	NUT, FLANGE	2	
22	73H-87222-90-00	CONSENT 2	1	
23	98506-04008-00	SCREW, PAN HEAD	2	
24	95701-04500-00	NUT, FLANGE	2	
25	73H-87222-70-00	RECEPTACLE 2	1	
26	98506-04008-00	SCREW, PAN HEAD	2	
27	95701-04500-00	NUT, FLANGE	2	
28	73T-87239-00-00	RECEPTACLE COMP	1	

CONTINUED ON NEXT FRAME ►

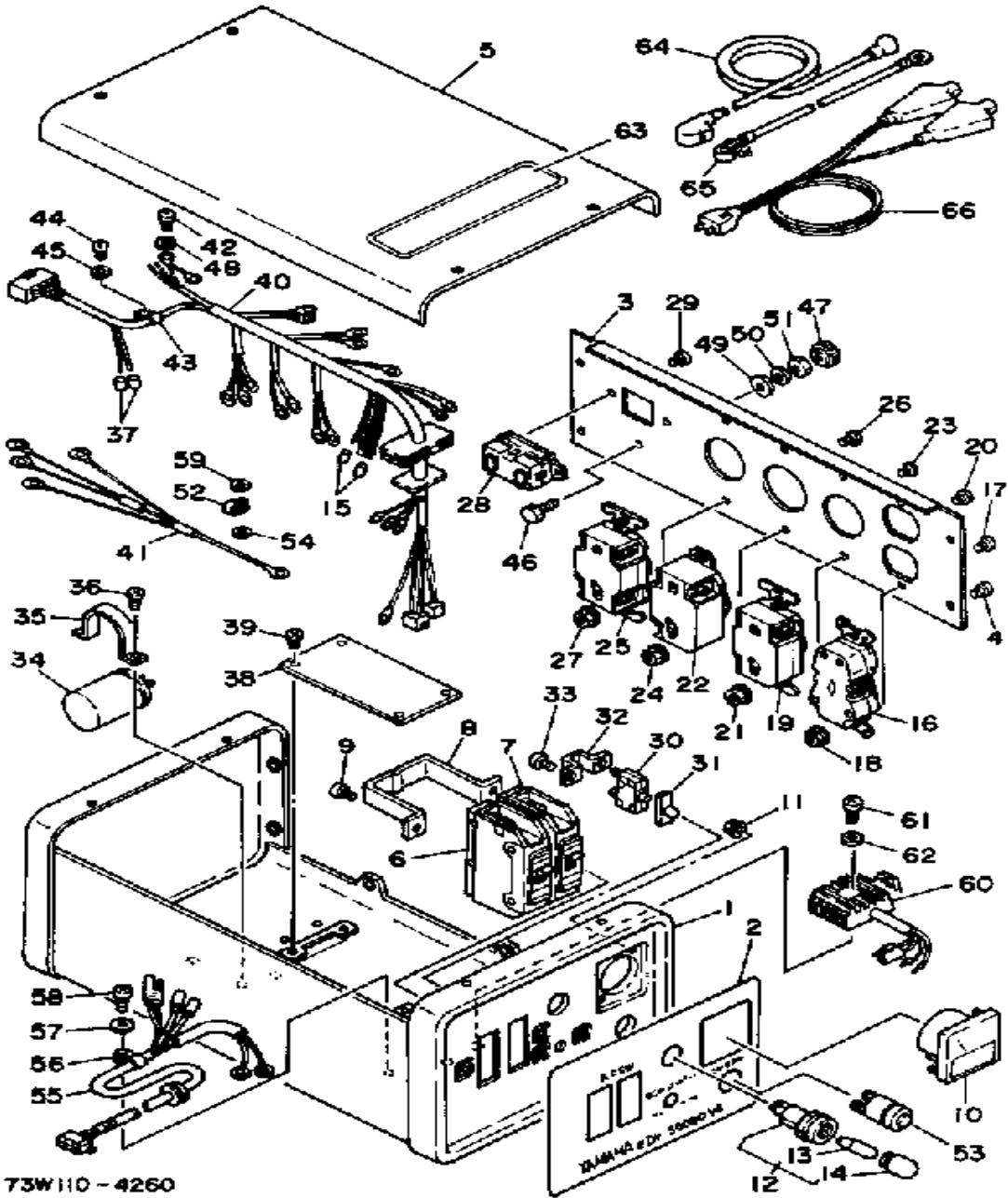
CONTROL BOX EDY 5000 DVE



Ref. No.	Part Number	Description	Qty	Remarks
29	98506-04008-00	SCREW, PAN HEAD	2	
30	7G5-82181-00-00	CIRCUIT BREAKER COMP.	1	
31	7H5-82182-00-00	COVER, CIRCUIT BREAKER	1	
32	73A-87248-00-00	HOLDER, BREAKER 2	1	
33	98511-04006-00	SCREW, PAN HEAD (98501-04005)	2	
34	78R-87107-00-00	CONDENSER ASSEMBLY	1	
35	73T-87216-00-00	HOLDER, CONDENSER	1	
36	98506-04008-00	SCREW, PAN HEAD	2	
37	7H5-8719F-00-00	TUBE 7	2	
38	73A-8722A-21-00	VOLTAGE REGLTR ASSEMBLY	1	
39	98511-04006-00	SCREW, PAN HEAD (98501-04005)	4	
40	73W-87226-90-00	WIRE HARNESS ASSEMBLY	1	
41	73W-82509-90-00	WIRE, SUB LEAD	1	
42	98506-05008-00	SCREW, PAN HEAD	1	
43	90461-11099-00	CLAMP	1	
44	98580-04010-00	SCREW, PAN HEAD	1	
45	92901-04600-00	WASHER, PLATE	1	
46	90101-05563-00	BOLT	1	
47	90170-05309-00	NUT, HEXAGON	1	
48	92901-04600-00	WASHER, PLATE	1	
49	92901-05600-00	WASHER, PLATE	1	
50	92990-05100-00	WASHER, SPRING	1	
51	95380-05600-00	NUT	1	
52	90461-11099-00	CLAMP	1	
53	75K-82510-00-00	MAIN SWITCH ASSEMBLY	1	
54	92901-04600-00	WASHER, PLATE	1	
55	75K-82513-01-00	CORD	1	

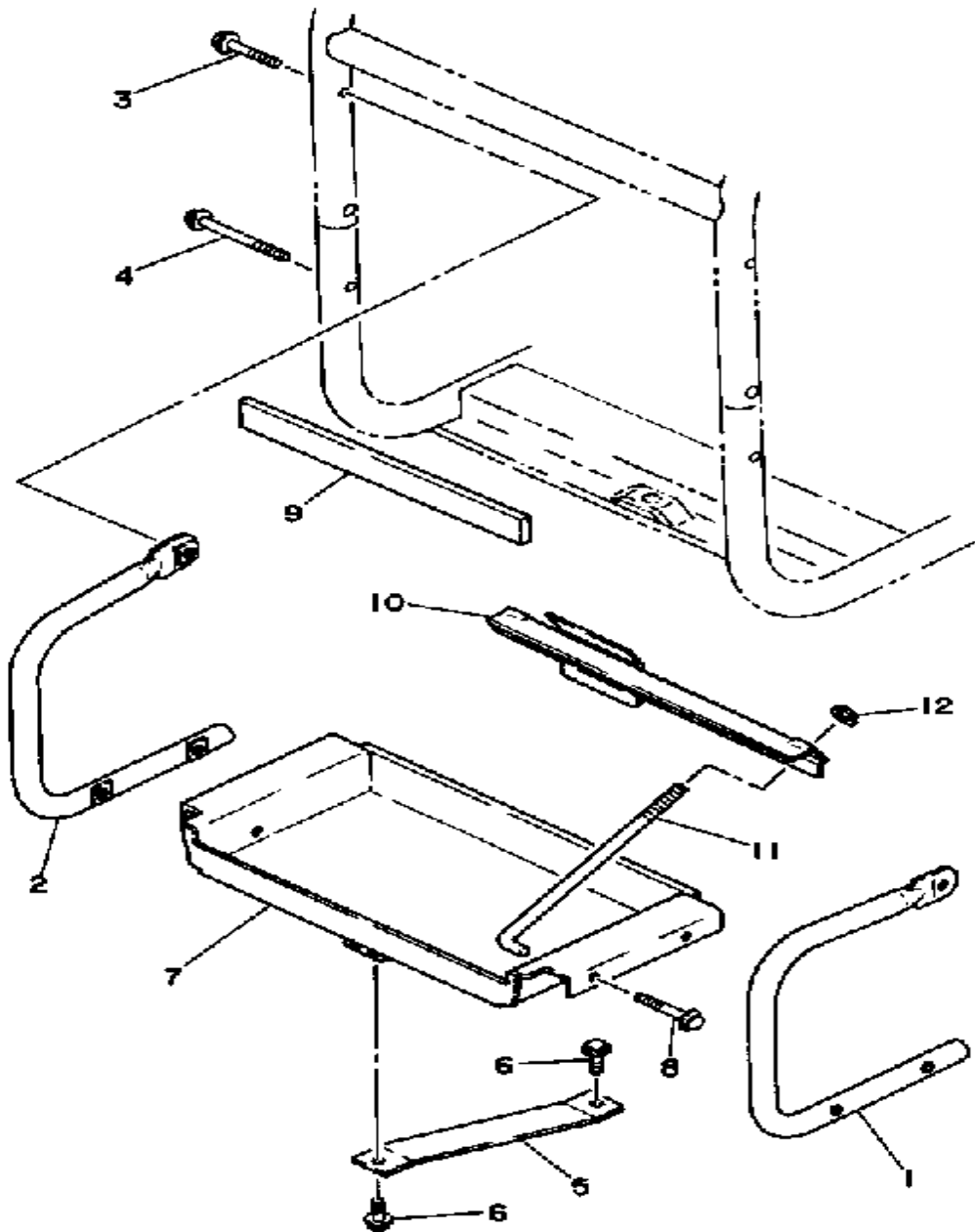
CONTINUED ON NEXT FRAME ►

CONTROL BOX EDY 5000 DVE



Ref. No.	Part Number	Description	Qty	Remarks
56	90461-11099-00	CLAMP	1	
57	92901-06600-00	WASHER	1	
58	98580-04010-00	SCREW, PAN HEAD	1	
59	92901-04600-00	WASHER, PLATE	1	
60	75K-81970-00-00	RECTIFIER ASSEMBLY	1	
61	98511-06025-00	SCREW PAN HEAD (92501-06025)	1	
62	92901-06600-00	WASHER	1	
63	73T-24162-10-00	EMBLEM 2	1	
64	75K-82115-00-00	WIRE, PLUS LEAD	1	
65	75K-82116-00-00	WIRE, MINUS LEAD	1	
66	7LG-87209-00-00	CHARGE CORD ASSEMBLY ..	1	

ELECTRICAL 1 EDY 5000 DVE



Ref. No.	Part Number	Description	Qty	Remarks
1	75K-2280V-00-35	BATTERY PIPE COMP. (R.H) (75K-2280V-00-20)	1	CRYSTAL SLV
2	75K-2280W-00-35	BATTERY PIPE COMP. (L.H) (75K-2280W-00-20)	1	
3	95811-08040-00	BOLT, FLANGE	2	
4	95811-08060-00	BOLT, FLANGE	2	
5	75K-22836-00-20	STAY, 3	1	CRYSTAL SLV
6	95811-08012-00	BOLT, FLANGE	2	
7	75K-82102-00-00	UNAVAILABLE IN PRICE BOOK	1	CRYSTAL SLV
8	95811-08030-00	BOLT, FLANGE	2	
9	73A-82121-10-00	PAD, BATTERY	1	
10	75K-82106-00-00	BATTERY PLATE COMP	1	
11	J10-82133-00-00	SCREW, FITTING	2	
12	95701-06500-00	NUT, FLANGE	2	

75K400-4290