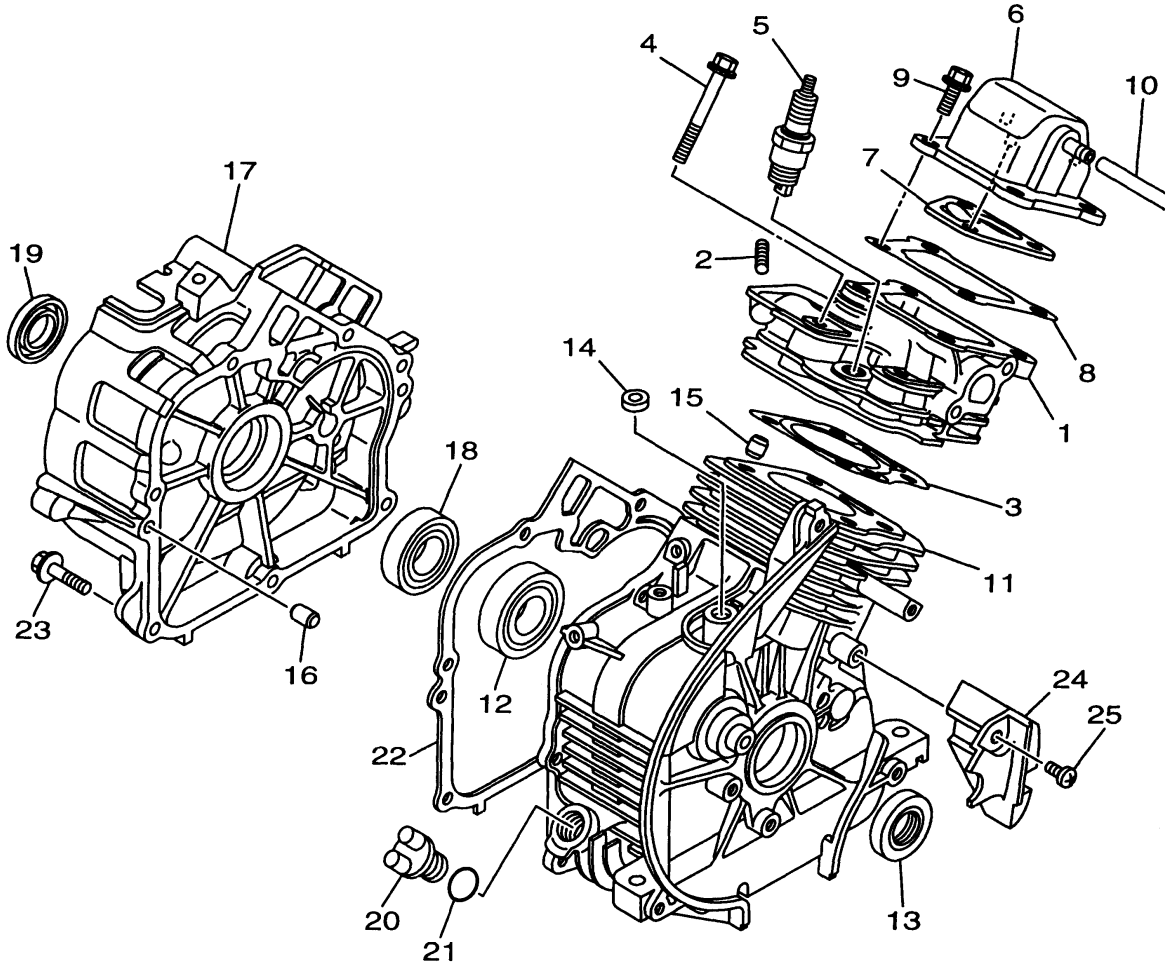


PARTS CATALOGUE

MODEL YEAR 1997

EF1000AX (7TA2)

CYLINDER CRANKCASE

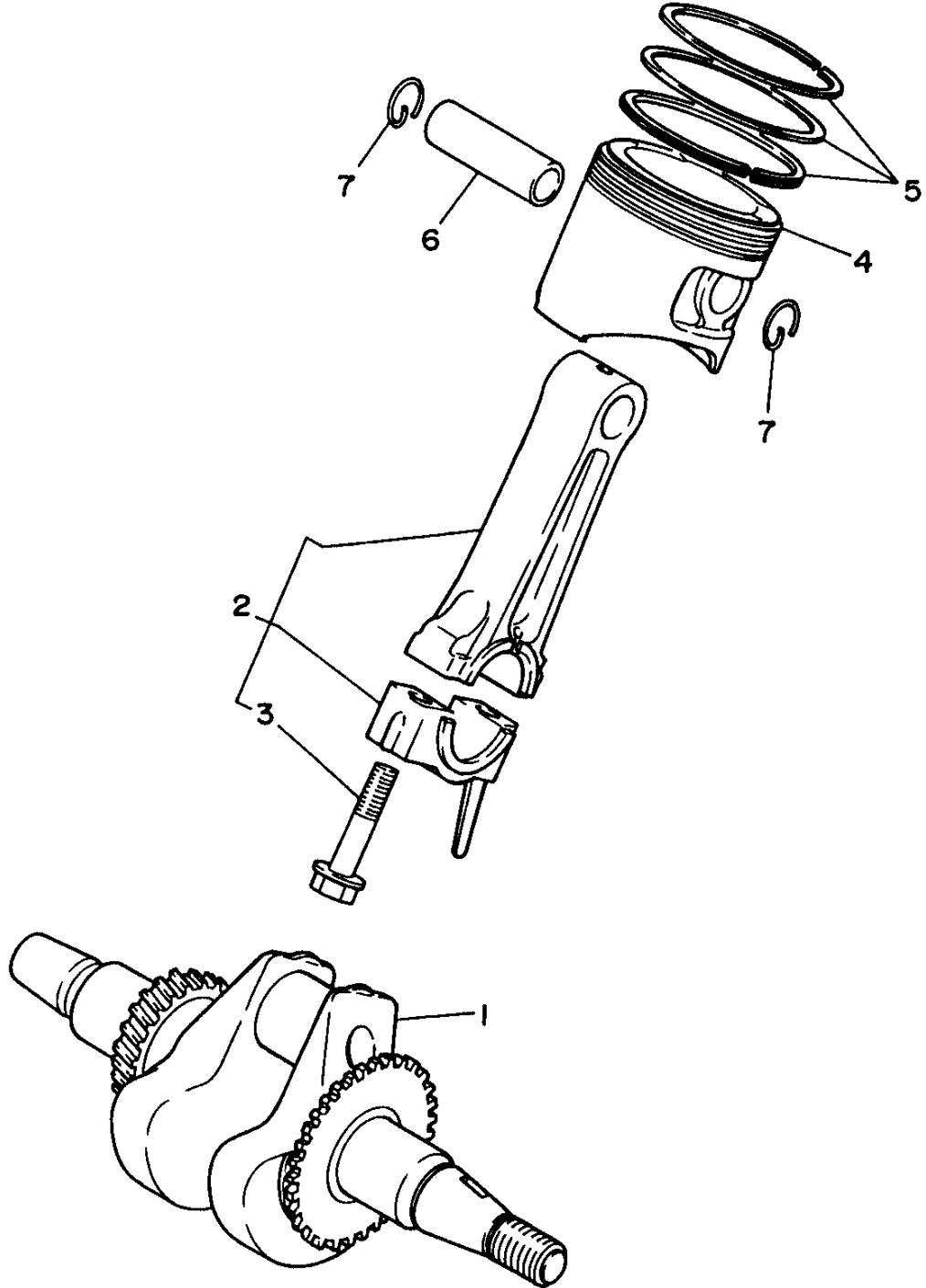


Ref. No.	Part Number	Description	Qty	Remarks
1	7FL-11111-00-00	HEAD, CYLINDER 1	1	
2	95607-06615-00	BOLT, STUD	2	
3	7TA-11181-00-00	GASKET, CYLINDER HEAD 1	1	
4	95827-06050-00	BOLT, FLANGE	4	
5	NGK-BPR6H-S0-00	PLUG, SPARK (NGK BP6HS)	1	
6	7TA-11191-00-00	COVER, CYLINDER HEAD 1	1	
7	7TA-11160-00-00	BREATHER ASSEMBLY	1	
8	7FK-11351-10-00	GASKET, CYLINDER (7FK-11351-00-00)	1	
9	95827-06016-00	BOLT, FLANGE	4	
10	7TA-11166-00-00	PIPE, BREATHER 1	1	
11	7FK-15111-01-00	CRANKCASE 1	1	
12	93306-20402-00	BEARING (B6204JRC3)	1	
13	93102-20366-00	OIL SEAL	1	
14	93104-06062-00	OIL SEAL	1	
15	99530-08012-00	PIN, DOWEL	2	
16	99530-08012-00	PIN, DOWEL	2	
17	7TA-15411-00-00	COVER, CRANKCASE 1	1	
18	93306-00423-00	BEARING (B6004)	1	
19	93102-20366-00	OIL SEAL	1	
20	7X9-15363-00-00	PLUG, OIL	1	
21	93210-15414-00	O-RING	1	
22	7TA-15451-00-00	GASKET, CRANKCASE COVER 1	1	
23	95827-06022-00	BOLT, FLANGE	7	
24	7FK-15123-00-00	PLATE, BUFFLE 1	1	
25	98507-06012-00	SCREW, PAN HEAD	1	



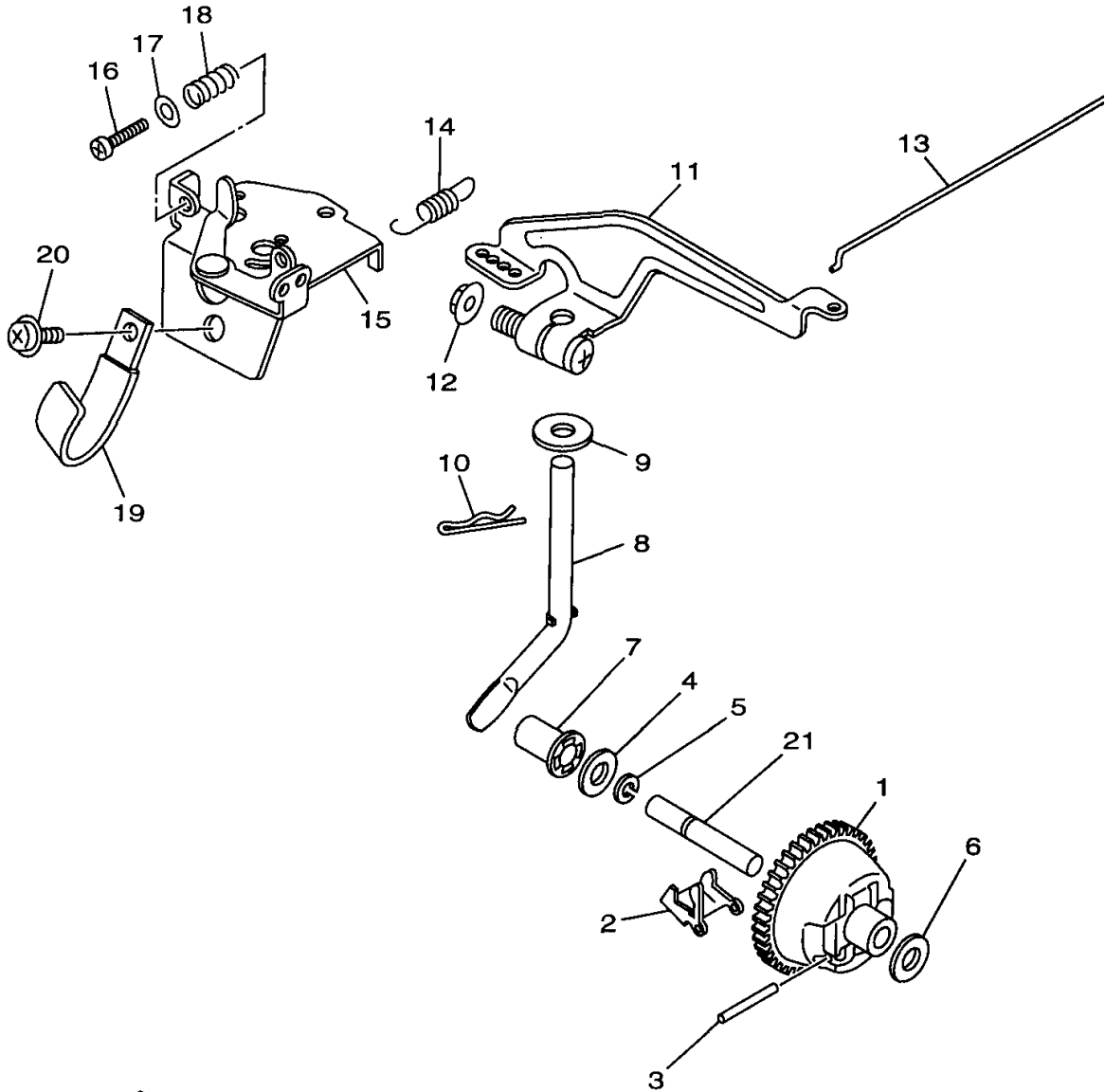
7TA1010-7010

CRANKSHAFT PISTON



Ref. No.	Part Number	Description	Qty	Remarks
1	7FK-11400-00-00	CRANKSHAFT ASSEMBLY ...	1	
2	7FK-11650-00-00	CONNECTING ROD ASSEMBLY	1	
3	7FK-11654-00-00	. BOLT, CONNECTING ROD ..	2	
4	7FK-11631-00-A0	PISTON (STD)	1	
	7FK-11635-00-00	PISTON (0.25MM O/S)	1	AP
	7FK-11636-00-00	PISTON (0.50MM O/S)	1	AP
5	7FK-11610-01-00	PISTON RING SET (STD)	1	
	7FK-11610-11-00	PISTON RING SET (0.25MM O/S)	1	AP
	7FK-11610-21-00	PISTON RING SET (0.50MM O/S)	1	AP
6	7FK-11633-00-00	PIN, PISTON	1	
7	93450-13022-00	CIRCLIP	2	

GOVERNOR

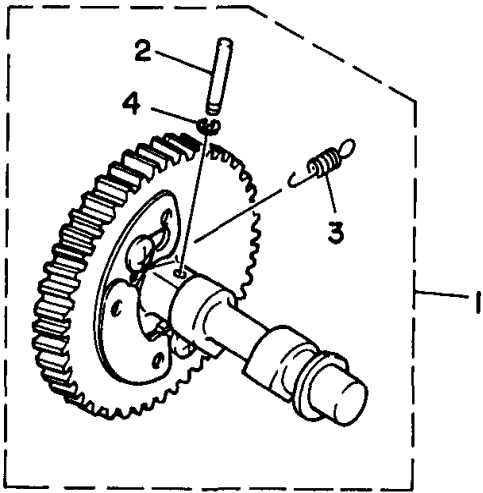
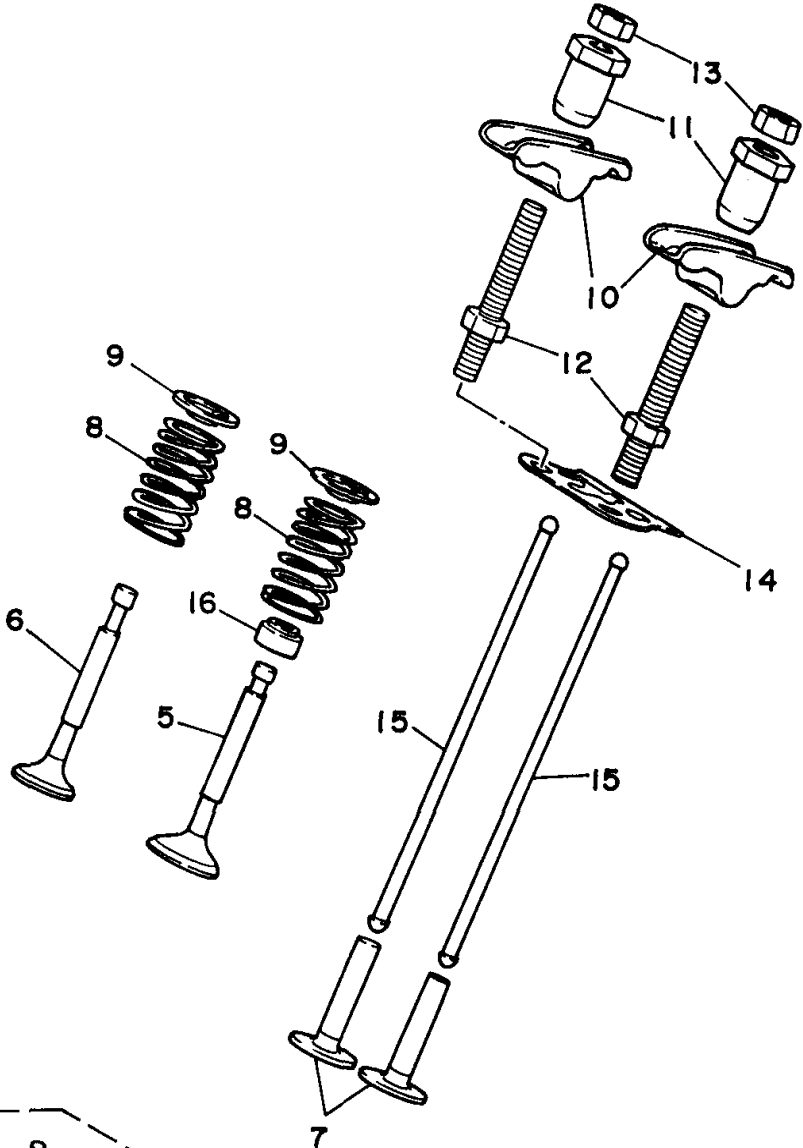


Ref. No.	Part Number	Description	Qty	Remarks
1	7FK-11972-01-00	GEAR, FLYWEIGHT SHAFT (7FK-11972-00-00)	1	
2	7FK-11913-00-00	WEIGHT	2	
3	7FK-11914-00-00	SHAFT, WEIGHT	2	
4	90201-065K7-00	WASHER, PLATE	1	
5	93440-06107-00	CIRCLIP	1	
6	90201-065K7-00	WASHER, PLATE	1	
7	JA9-11917-00-00	COLLAR	1	
8	7FK-11922-01-00	FORK, GOVERNOR	1	
9	90201-06061-00	WASHER, PLATE	1	
10	90468-18008-00	CLIP	1	
11	7FK-11924-00-00	ARM, GOVERNOR	1	
12	95707-06500-00	NUT, FLANGE	1	
13	7FK-11928-00-00	ROD, LINK	1	
14	90506-08390-00	SPRING, TENSION	1	
15	7FL-11940-00-00	STAY COMP.	1	
16	98507-04016-00	SCREW, PAN HEAD	1	
17	92907-04600-00	WASHER	1	
18	90501-071E3-00	SPRING, COMPRESSION	1	
19	90462-05061-00	CLAMP	1	
20	95807-06010-00	BOLT, FLANGE	1	
21	7FK-11971-00-00	SHAFT, FLYWEIGHT	1	



7TA1010-7030

CAMSHAFT VALVE

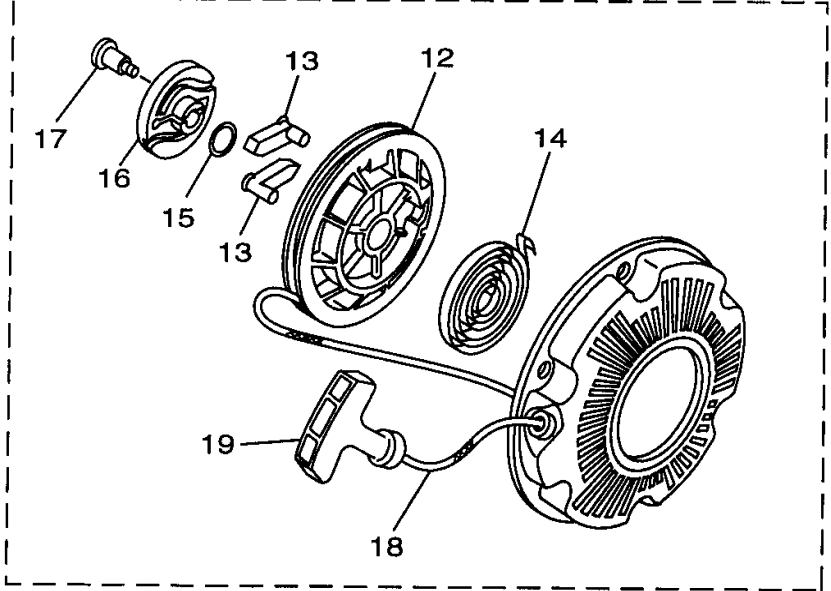
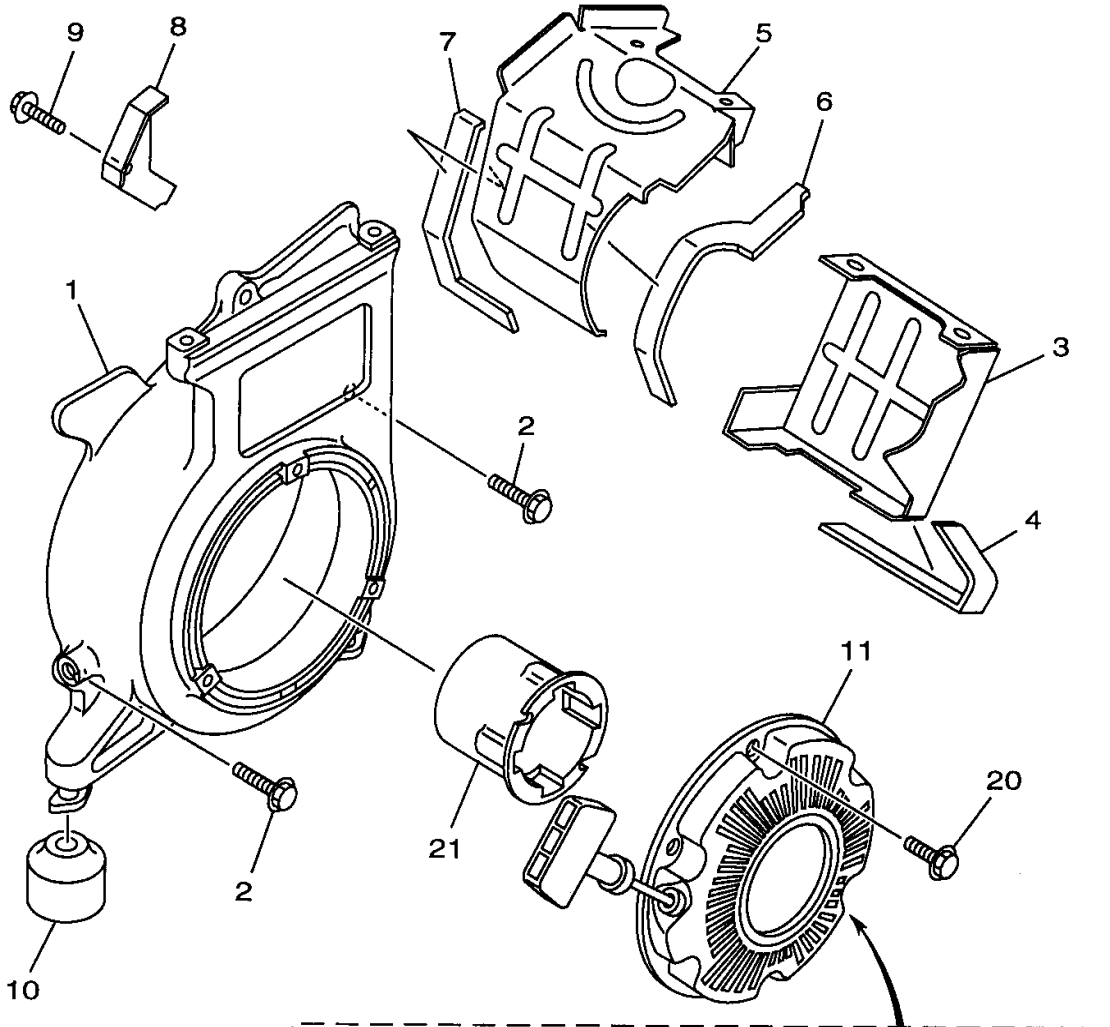


7FK010-5040

Ref. No.	Part Number	Description	Qty	Remarks
1	7FK-12170-00-00	CAMSHAFT ASSEMBLY 1	1	
2	7FK-12284-10-00	. PIN, DECOMP. LEVER (1ST O/S)	1	AP
	7FK-12284-20-00	. PIN, DECOMP. LEVER (2ND O/S)	1	AP
	7FK-12284-30-00	. PIN, DECOMP. LEVER (3RD O/S)	1	AP
3	7FK-12287-00-00	. SPRING, DECOMPRESSION	1	
4	93440-03151-00	. CIRCLIP	1	
5	7FK-12111-00-00	VALVE, INTAKE	1	
6	7FK-12121-01-00	VALVE, EXHAUST	1	
7	7FK-12153-00-00	LIFTER, VALVE	2	
8	90501-181E1-00	SPRING, COMPRESSION	2	
9	7FK-12117-00-00	RETAINER, VALVE SPRING	2	
10	7FK-12151-00-00	ARM, VALVE ROCKER	2	
11	7FK-12165-00-00	PIVOT, ROCKER ARM	2	
12	7FK-12157-00-00	BOLT	2	
13	7FK-12158-00-00	NUT, LOCK	2	
14	7FK-12155-00-00	GUIDE, PUSH ROD	1	
15	7FK-12154-00-00	ROD, VALVE PUSH	2	
16	7FK-12119-00-00	SEAL, VALVE STEM	1	

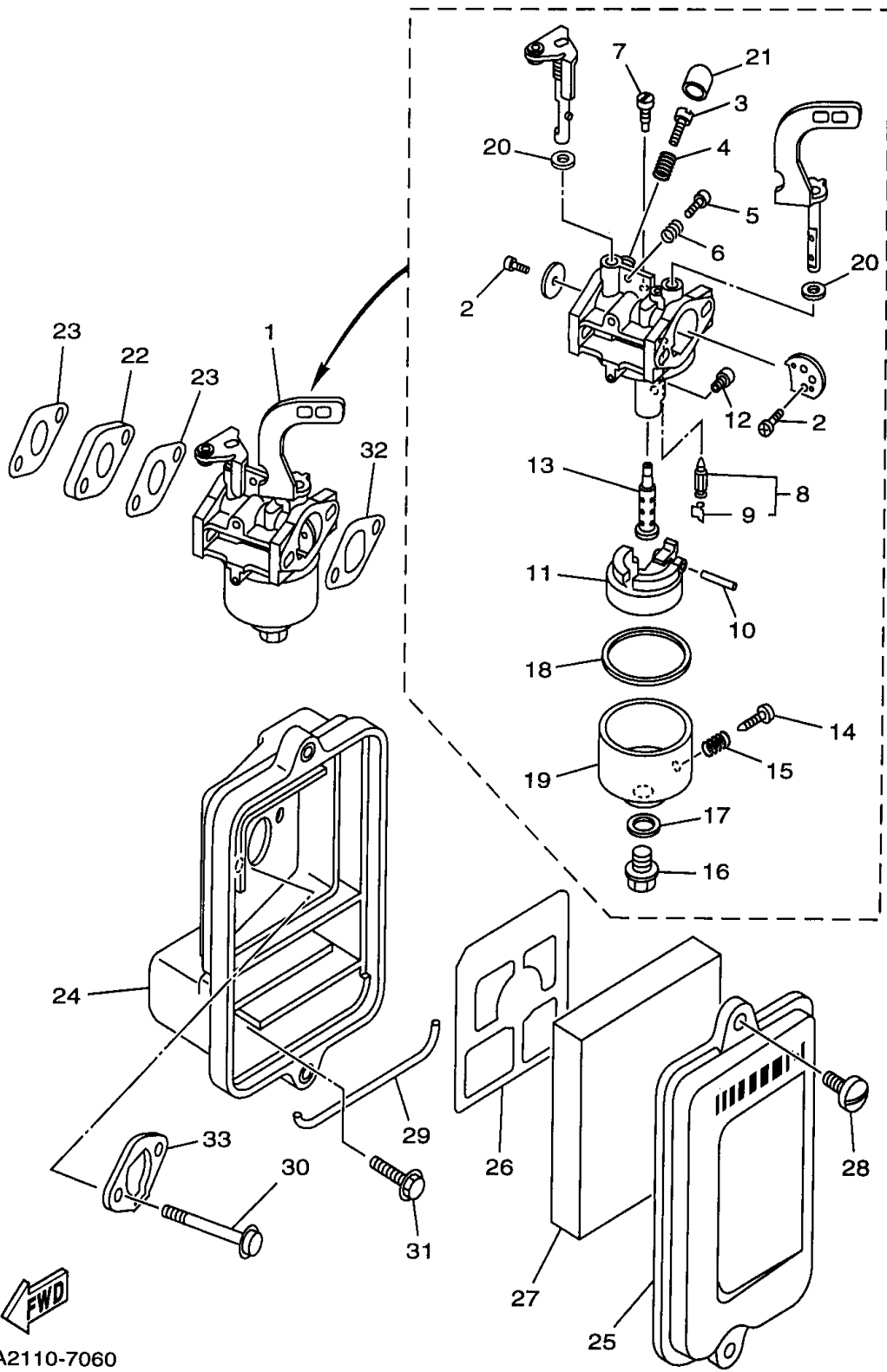
AIR SHROUD STARTER

Ref. No.	Part Number	Description	Qty	Remarks
1	7TA-12621-00-00	CASE, FAN	1	
2	95807-06020-00	BOLT, FLANGE	4	
3	7FK-12651-00-00	AIR SHROUD, CYLINDER 1	1	
4	7FK-12658-00-00	DAMPER, AIR SHROUD 1	1	
5	7FK-12652-00-00	AIR SHROUD, CYLINDER 2	1	
6	7FK-12659-00-00	DAMPER, AIR SHROUD 2	1	
7	7FK-12668-00-00	DAMPER, AIR SHROUD 3	1	
8	7FK-12653-00-00	AIR SHROUD, CYLINDER 3	1	
9	95807-06010-00	BOLT, FLANGE	1	
10	7TA-22891-00-00	INSULATOR, MOUNTING	2	
11	7TA-15710-00-00	STARTER ASSEMBLY	1	
12	7TA-15714-00-00	. DRUM, SHEAVE	1	
13	7TA-15741-00-00	. PAWL, DRIVE	2	
14	7TA-15713-00-00	. SPRING, STARTER	1	
15	7TA-15715-00-00	. SPRING, FRICTION	1	
16	7TA-15716-00-00	. PLATE, DRIVE	1	
17	7TA-15793-00-00	. SCREW	1	
18	7TA-15751-00-00	. WIRE, STARTER	1	
19	7TA-15755-00-00	. HANDLE, STARTER	1	
20	95807-06012-00	BOLT, FLANGE	3	
21	7TA-15723-00-00	PULLEY, STARTER	1	



7TA1010-7051

INTAKE



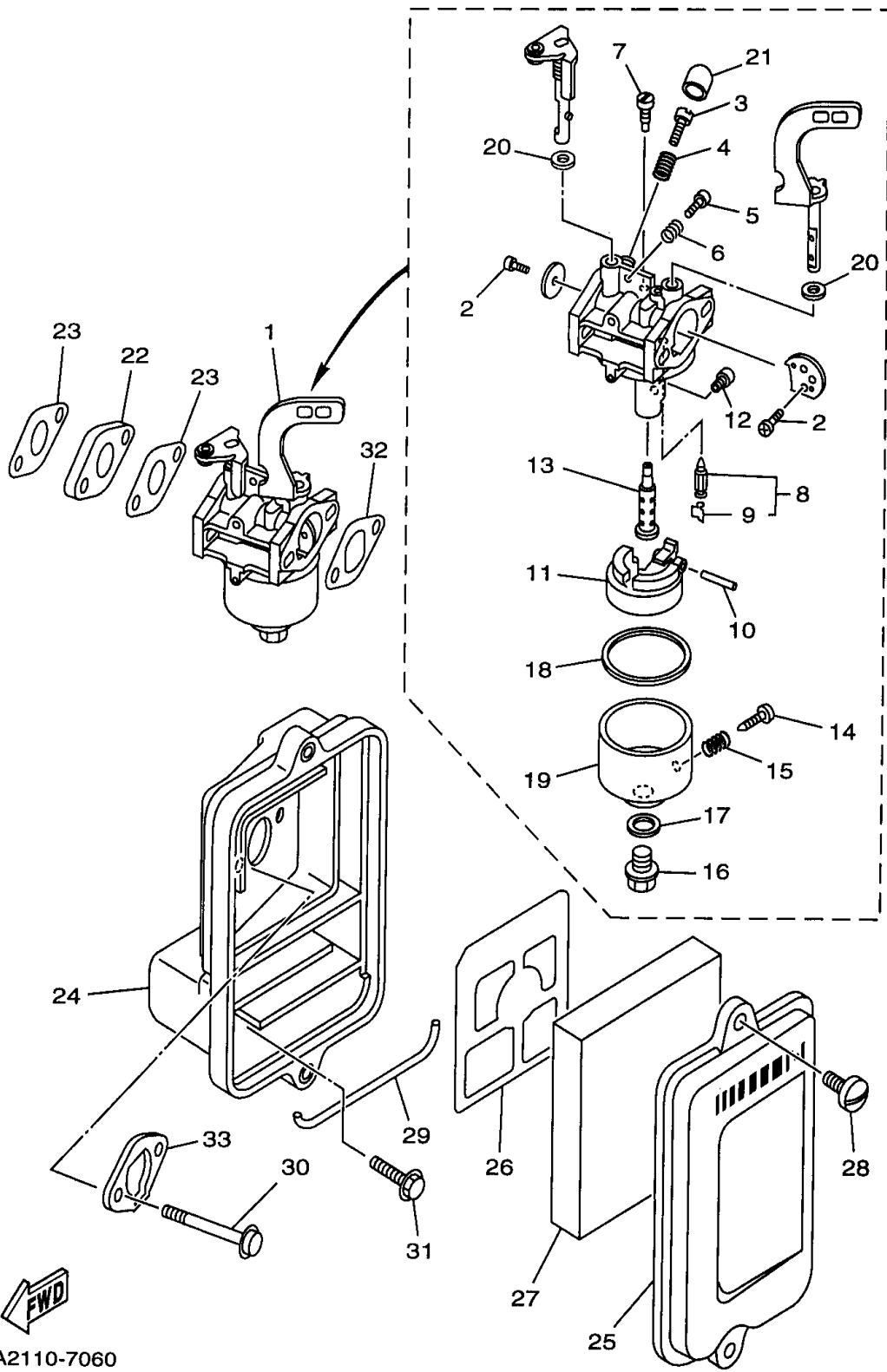
Ref. No.	Part Number	Description	Qty	Remarks
1	7TA-14101-10-00	CARBURETOR ASSEMBLY 1	1	
2	7RH-14486-00-00	. SCREW, ROD	3	
3	7LV-14211-00-00	. SCREW, PILOT ADJUSTING	1	
4	620-14212-00-00	. SPRING, PILOT ADJUSTING	1	
5	75J-14990-00-00	. SCREW	1	
6	73A-14212-00-00	. SPRING	1	
7	620-14142-42-A0	. JET, MAIN (#42.5)	1	
8	7LG-14150-11-00	. NEEDLE ASSEMBLY	1	
9	7EG-14159-00-00	. CLIP	1	
10	7FK-14186-00-00	. PIN, FLOAT	1	
11	7X9-14185-00-00	. FLOAT	1	
12	3G2-1423E-22-A0	. JET, MAIN (#56.3)	1	
13	7TA-1495A-1A-00	. NOZZLE, MAIN	1	
14	7E1-14191-00-00	. PLUG, DRAIN	1	
15	73A-14212-00-00	. SPRING	1	
16	7RA-14162-00-00	. BOLT, HOLDING	1	
17	127-14198-00-00	. GASKET	1	
18	7G5-14227-00-00	. WASHER	1	
19	7RA-14181-00-00	. BODY, FLOAT CHAMBER 1	1	
20	22F-14117-00-00	. WASHER, PLUG SCREW	2	
21	7LV-14118-00-00	. CAP (CUT AWAY 1/8)	1	
22	7X9-13595-00-00	JOINT, CARBURETOR	1	
23	7G5-13556-10-00	GASKET, MANIFOLD (7G5-13556-00-00)	2	
24	7TA-14411-10-00	CASE, AIR CLEANER 1	1	
25	7TA-14412-00-00	CAP, CLEANER CASE 1	1	
26	7TA-14468-00-00	PLATE, ELEMENT FITTING	1	
27	7TA-14451-00-00	ELEMENT, AIR CLEANER	1	
28	90146-06014-00	SCREW, OVAL FILLISTER	2	

CONTINUED ON NEXT FRAME ►

7TA2110-7060

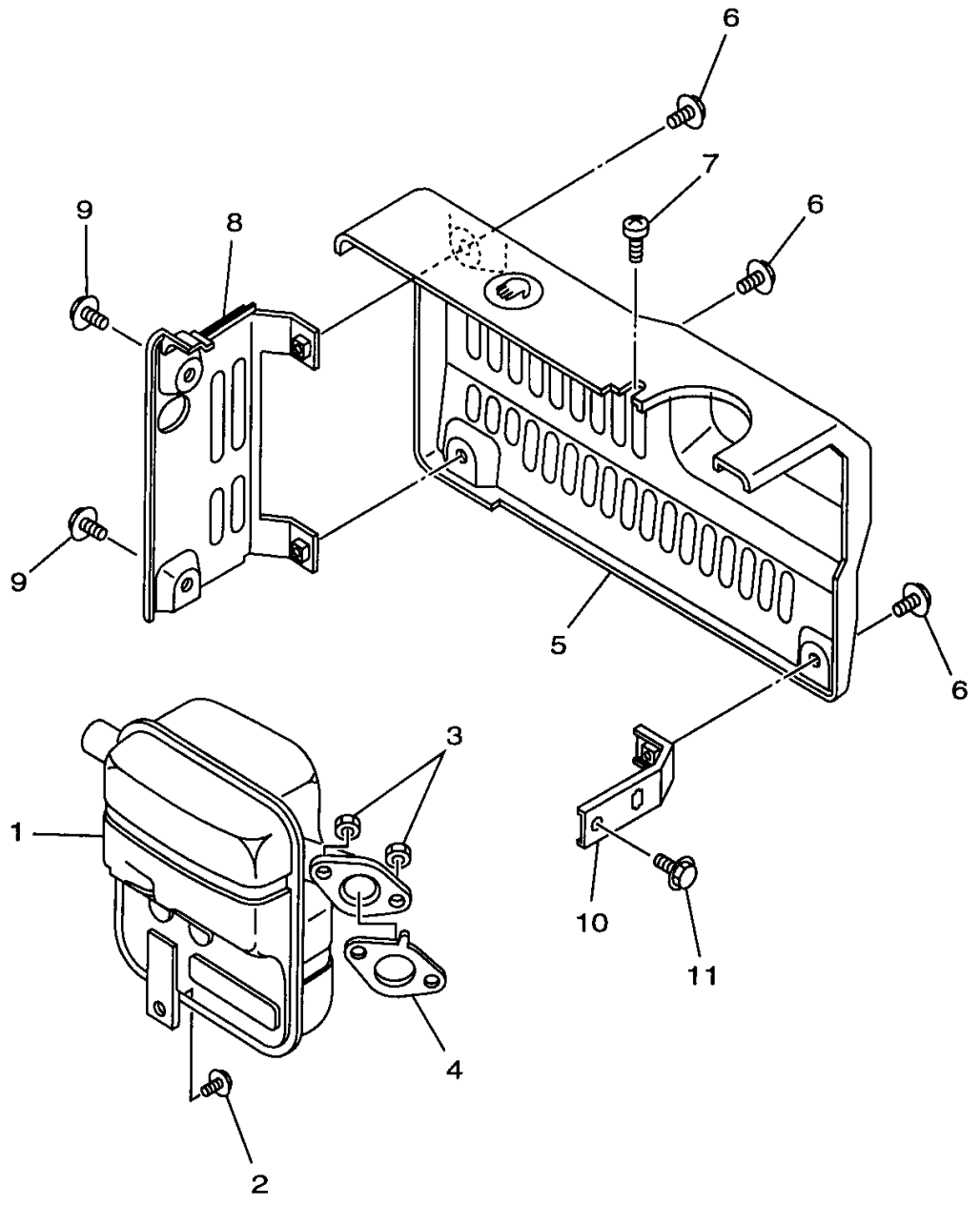
INTAKE

Ref. No.	Part Number	Description	Qty	Remarks
29	7TA-1446R-00-00	SEAL	1	
30	95807-06070-00	BOLT, FLANGE	2	
31	95807-06016-00	BOLT, FLANGE	1	
32	7X9-14416-10-00	GASKET, AIR CLEANER (7X9-14416-00-00)	1	
33	JK4-14477-00-00	PLATE	1	



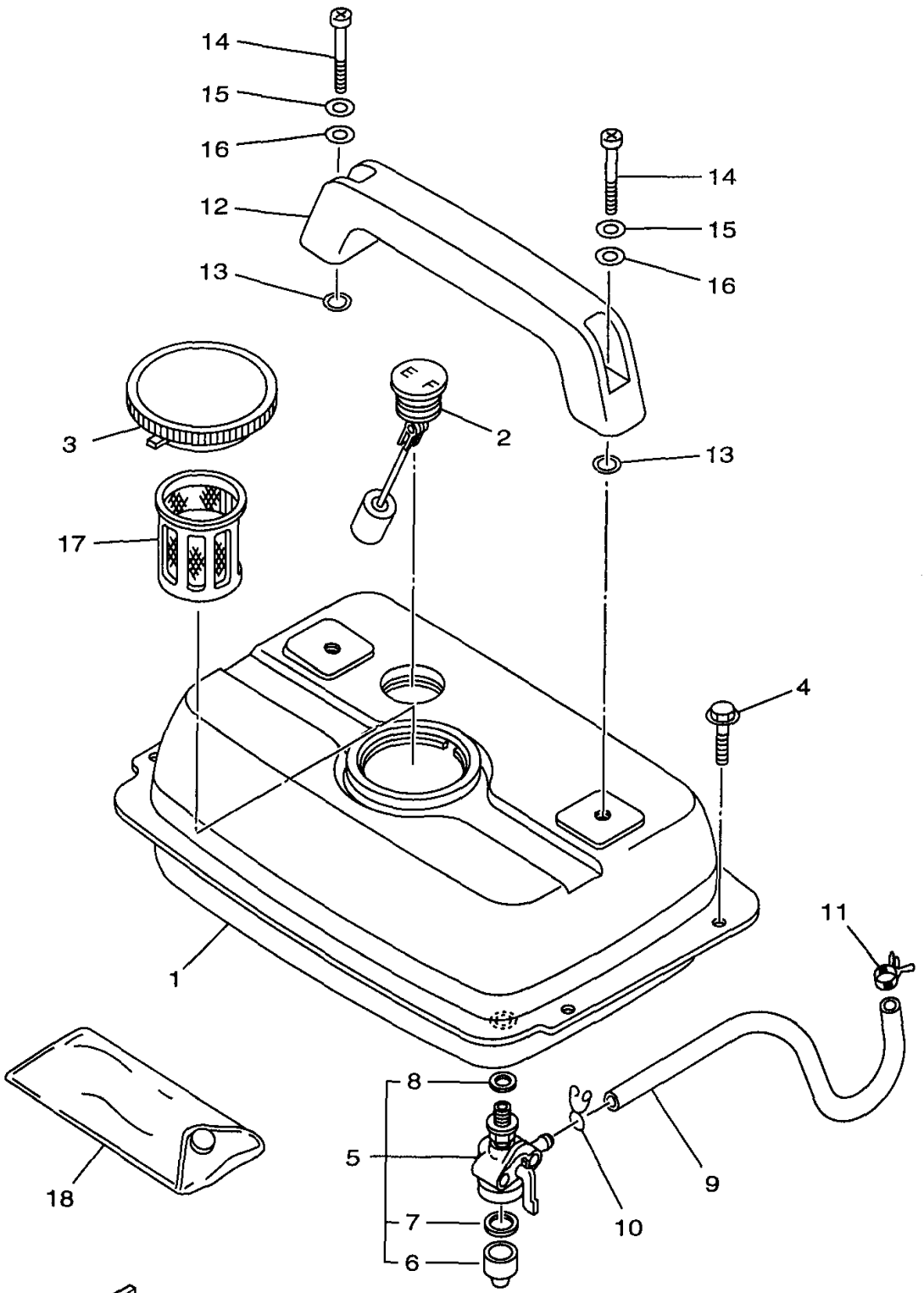
EXHAUST

Ref. No.	Part Number	Description	Qty	Remarks
1	7FL-14780-00-00	SPARK ARRESTER	1	
2	95807-06012-00	BOLT, FLANGE	1	
3	95390-06600-00	NUT	2	
4	7FK-14613-10-00	GASKET, EXHAUST PIPE (7FK-14613-00-00)	1	
5	7TA-14718-00-00	PROTECTOR, MUFFLER 1	1	
6	95807-06012-00	BOLT, FLANGE	3	
7	98907-06010-00	SCREW, BIND	1	
8	7TA-14728-00-00	PROTECTOR, MUFFLER 2	1	
9	95807-06012-00	BOLT, FLANGE	2	
10	7TA-14771-00-00	STAY, MUFFLER 1	1	
11	95807-06012-00	BOLT, FLANGE	1	



7TA1010-7070

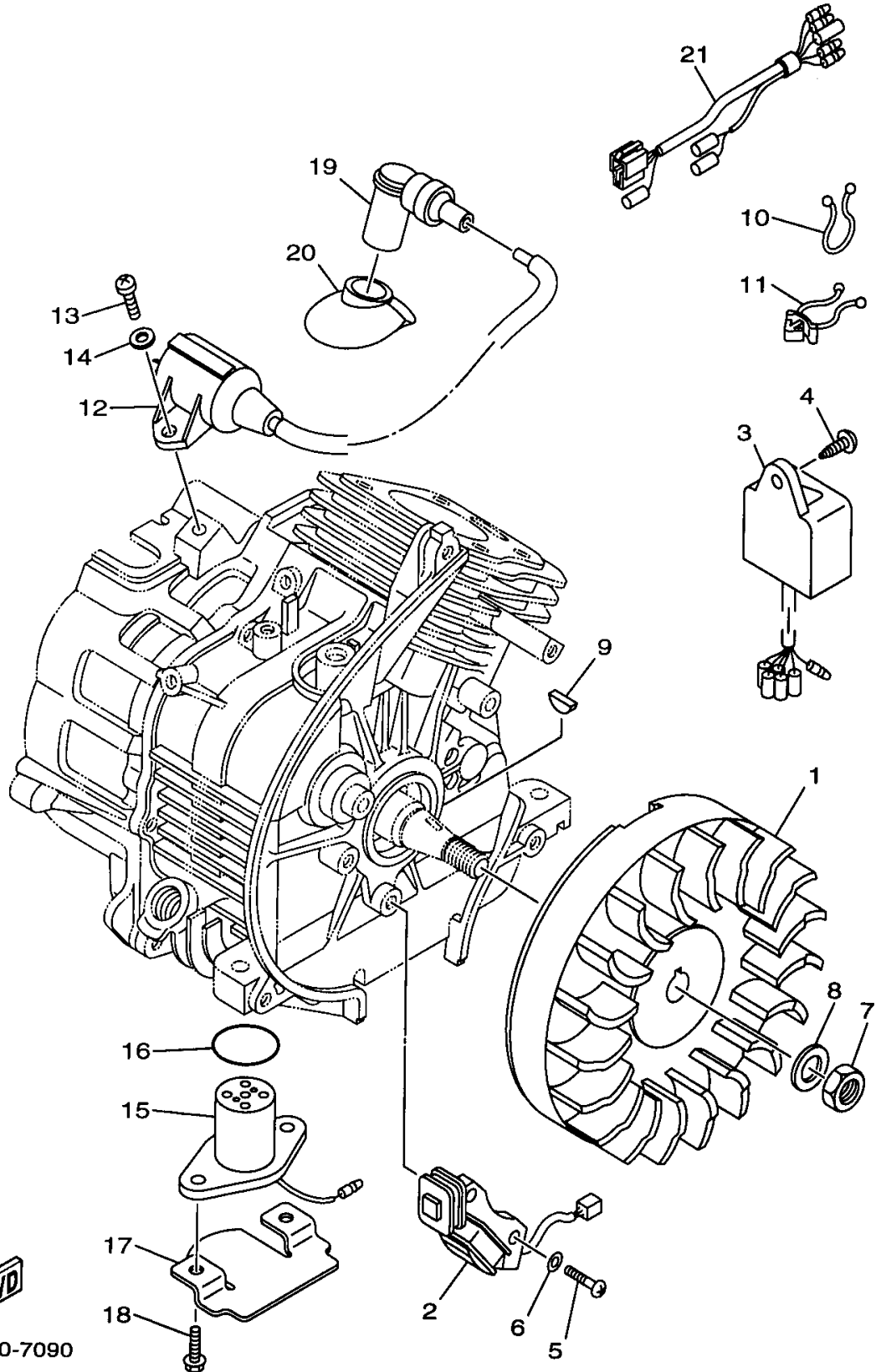
FUEL TANK



Ref. No.	Part Number	Description	Qty	Remarks
1	7TA-24110-00-NJ	FUEL TANK COMP.	1	
2	7F7-85710-02-00	FUEL LVL GAUGE ASSEMBLY ASSY	1	
3	74T-24610-00-00	CAP ASSEMBLY	1	
4	95807-06012-00	BOLT, FLANGE	4	
5	7RA-24500-00-00	FUEL COCK ASSEMBLY 1 ...	1	
6	7J3-24521-00-00	. CUP, FILTER	1	
7	4X8-24565-00-00	. GASKET	1	
8	7NJ-24532-00-00	. GASKET	1	
9	7TA-24311-00-00	PIPE, FUEL 1	1	
10	90467-09006-00	CLIP	1	
11	90467-10038-00	CLIP	1	
12	7TA-22830-00-00	HANDLE ASSEMBLY	1	
13	93210-12327-00	O-RING	2	
14	98507-06035-00	SCREW, PAN HEAD	2	
15	7G5-24186-00-00	WASHER, SPECIAL	2	
16	90210-06006-00	WASHER, SEAL	2	
17	796-24167-00-00	STRAINER	1	
18	7TA-28100-00-00	TOOL KIT	1	

7TA1010-7080

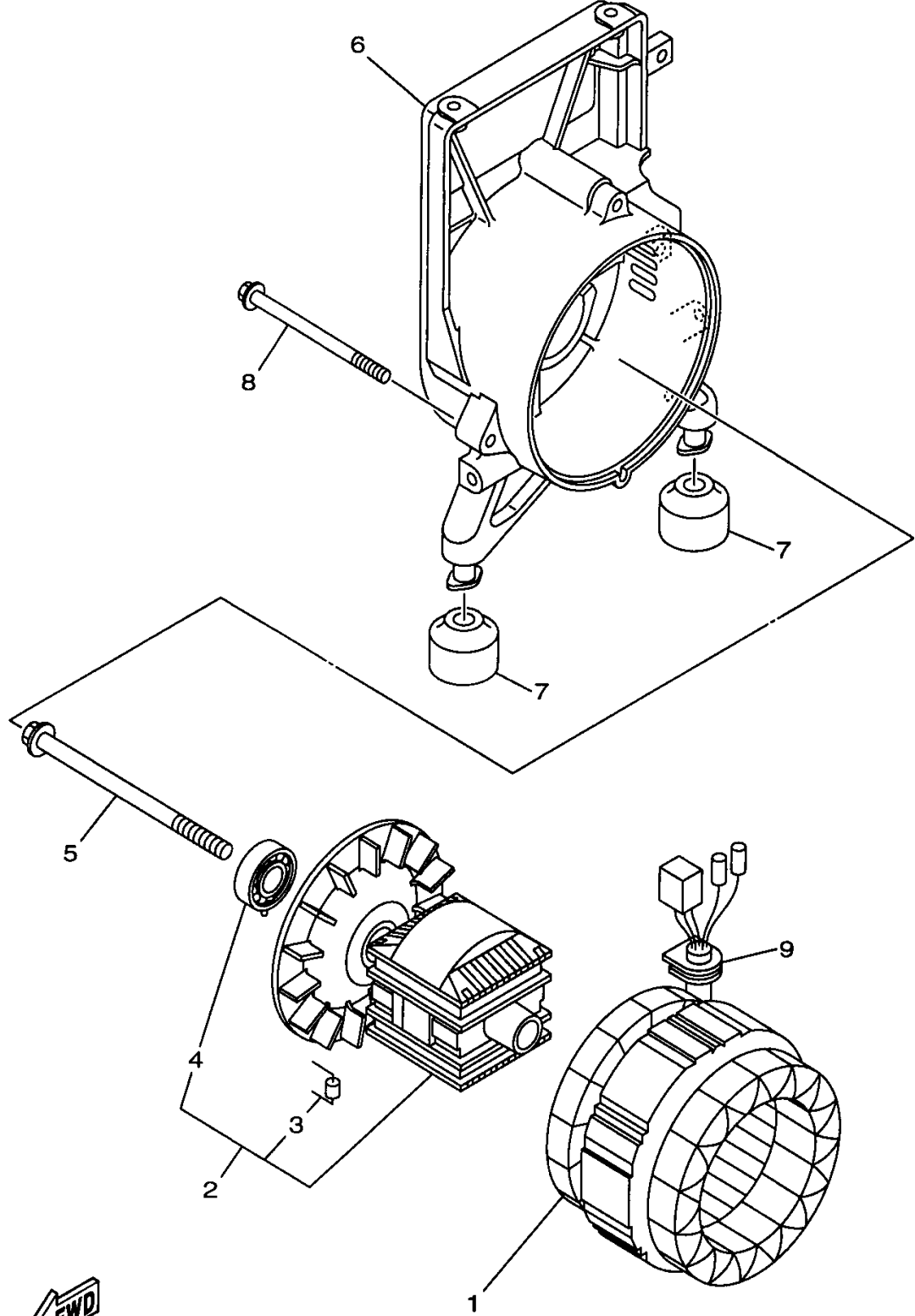
MAGNETO



Ref. No.	Part Number	Description	Qty	Remarks
1	7TA-85550-00-00	ROTOR ASSEMBLY	1	
2	7FK-85521-M0-00	COIL ASSEMBLY	1	
3	7TA-85540-00-00	C.D.I. UNIT ASSEMBLY	1	
4	97707-60020-00	SCREW, TAPPING	1	
5	98507-06020-00	SCREW, PAN HEAD	2	
6	92907-06100-00	WASHER, SPRING	2	
7	95307-12700-00	NUT	1	
8	92907-12600-00	WASHER	1	
9	90280-03017-00	KEY, WOODRUFF	1	
10	90465-18147-00	CLAMP	1	
11	90464-13066-00	CLAMP	1	
12	7TA-82310-00-00	IGNITION COIL ASSEMBLY	1	
13	98580-06020-00	SCREW	1	
14	92907-06200-00	WASHER	1	
15	7TA-85720-00-00	OIL LEVEL GAUGE ASSEMBLY	1	
16	93210-27370-00	O-RING	1	
17	7TA-8572M-00-00	PLATE, OIL LEVEL	1	
18	95807-06012-00	BOLT, FLANGE	2	
19	2JA-82370-00-00	PLUG CAP ASSEMBLY	1	
20	7FK-82372-00-00	SEAL, PLUG CAP	1	
21	7TA-82509-00-00	WIRE, SUB LEAD	1	

7TA1010-7090

GENERATOR

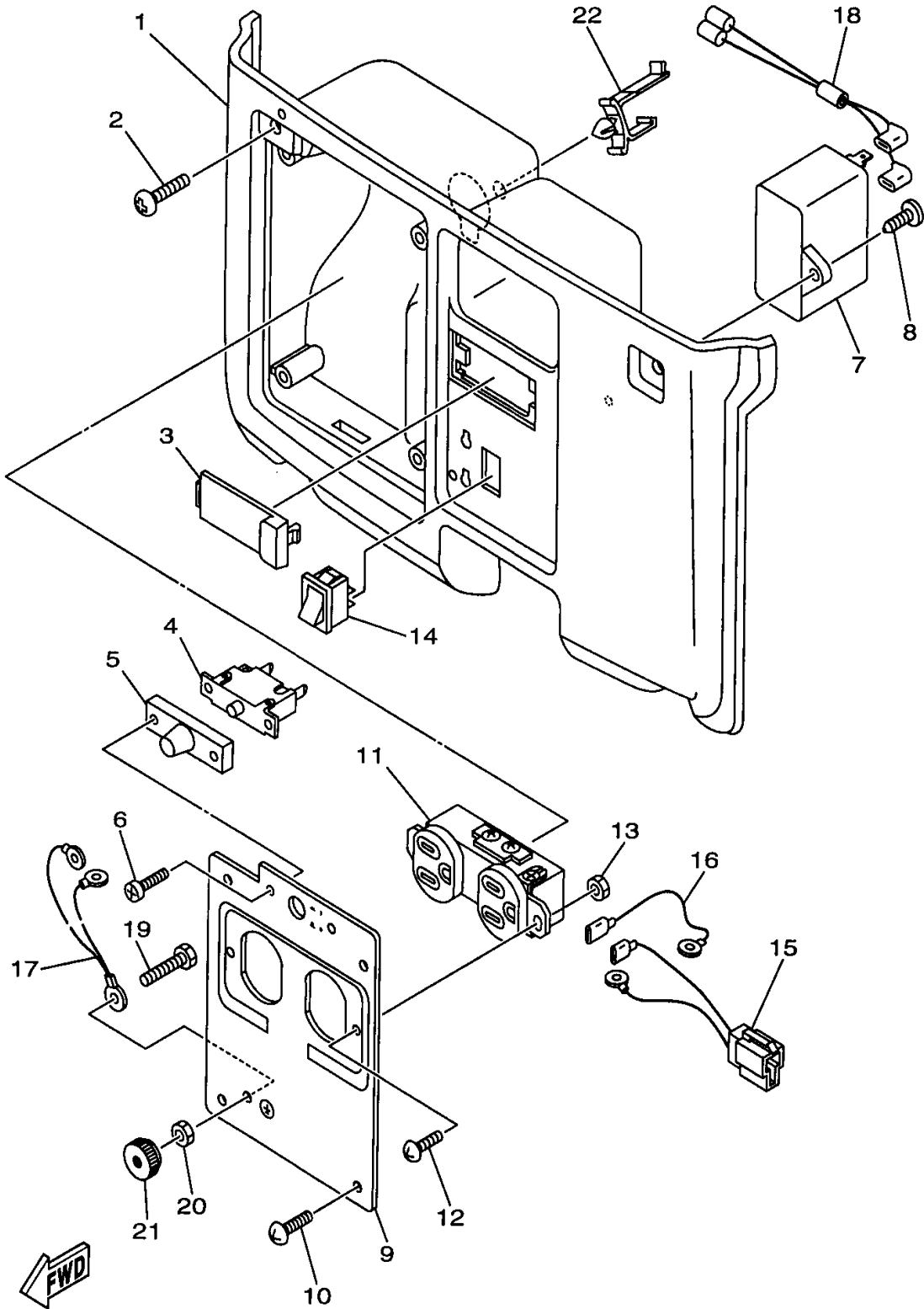


Ref. No.	Part Number	Description	Qty	Remarks
1	7RB-87150-70-00	STATOR ASSEMBLY (120V-60HZ)	1	
2	7RB-87160-00-00	ROTOR ASSEMBLY	1	
3	90983-03066-00	. DIODE, ALLY	2	
4	93306-20435-00	. BEARING	1	
5	95827-08150-00	BOLT, FLANGE	1	
6	7TA-87131-00-00	FRAME, REAR	1	
7	7TA-22891-00-00	INSULATOR, MOUNTING	2	
8	95827-06105-00	BOLT, FLANGE	3	
9	90480-17441-00	GROMMET	1	



7TA1010-7100

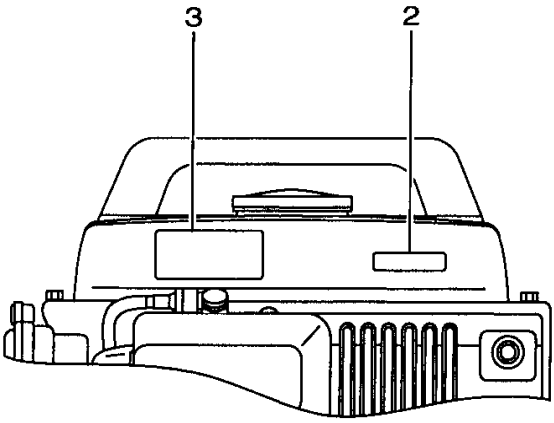
CONTROL BOX



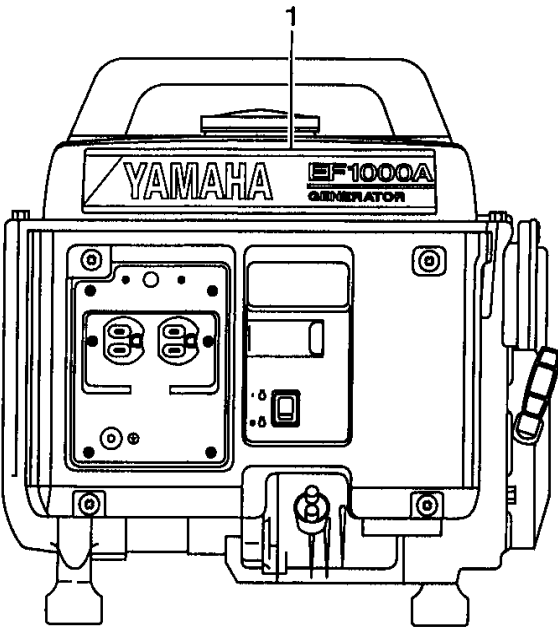
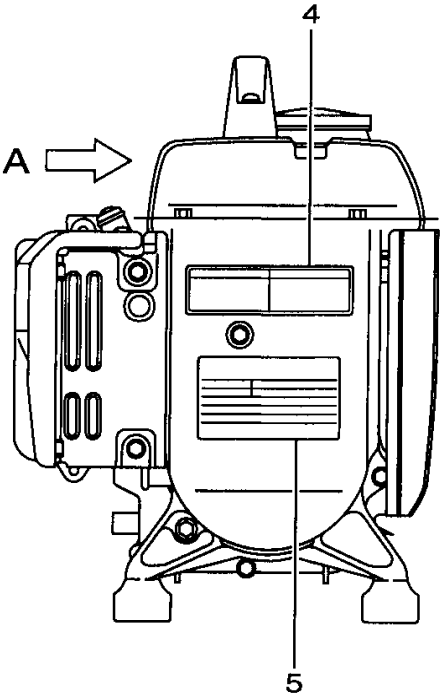
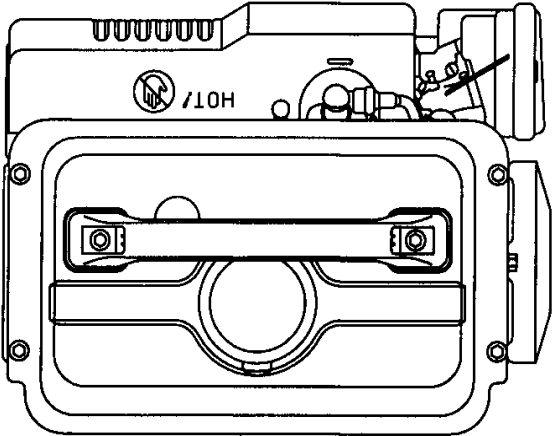
7TA1010-7110

Ref. No.	Part Number	Description	Qty	Remarks
1	7TA-87211-00-00	BOX, CONTROL	1	
2	98907-06010-00	SCREW, BIND	4	
3	7FK-11935-00-00	PLUG, BLIND	1	
4	7TA-82181-10-00	CIRCUIT BREAKER COMP. (50H)	1	
5	7TA-82182-00-00	COVER, CIRCUIT BREAKER ..	1	
6	98507-03006-00	SCREW, PAN HEAD	2	
7	7RB-87107-00-00	CONDENSER ASSEMBLY	1	
8	97707-40020-00	SCREW, TAPPING	1	
9	7TA-87249-40-00	PLATE	1	
10	97707-40512-00	SCREW, TAPPING	4	
11	7G5-87221-01-00	RECEPTACLE 1	1	MATSUSHITA WCZ1303-9N
12	98507-04012-00	SCREW, PAN HEAD	2	
13	95707-04500-00	NUT, FLANGE	2	
14	7NJ-82550-00-00	ENGINE STOP SWITCH ASSEMBLY	1	
15	7RA-87223-00-00	WIRE, LEAD 1	1	
16	7RA-87224-00-00	WIRE, LEAD 2	1	
17	7TA-87225-00-00	WIRE, LEAD 3	1	
18	7TA-8722J-00-00	WIRE, LEAD	1	
19	90101-05563-00	BOLT	1	
20	95307-05700-00	NUT	1	
21	90170-05309-00	NUT, HEXAGON	1	
22	90464-16021-00	CLAMP	1	

LABELS



VIEW OF A



Ref. No.	Part Number	Description	Qty	Remarks
1	7TA-24161-10-00	EMBLEM 1	1	
2	7Y0-2415A-10-00	LABEL, CAUTION (HOT EXHAUST)	1	
3	7FL-2179R-01-00	PLATE, EPA 2 (CALIFORNIA) .	1	
4	7TA-24162-10-00	EMBLEM 2 (WARNING)	1	
5	73H-2415A-00-00	LABEL, CAUTION	1	



7TA2110-7120