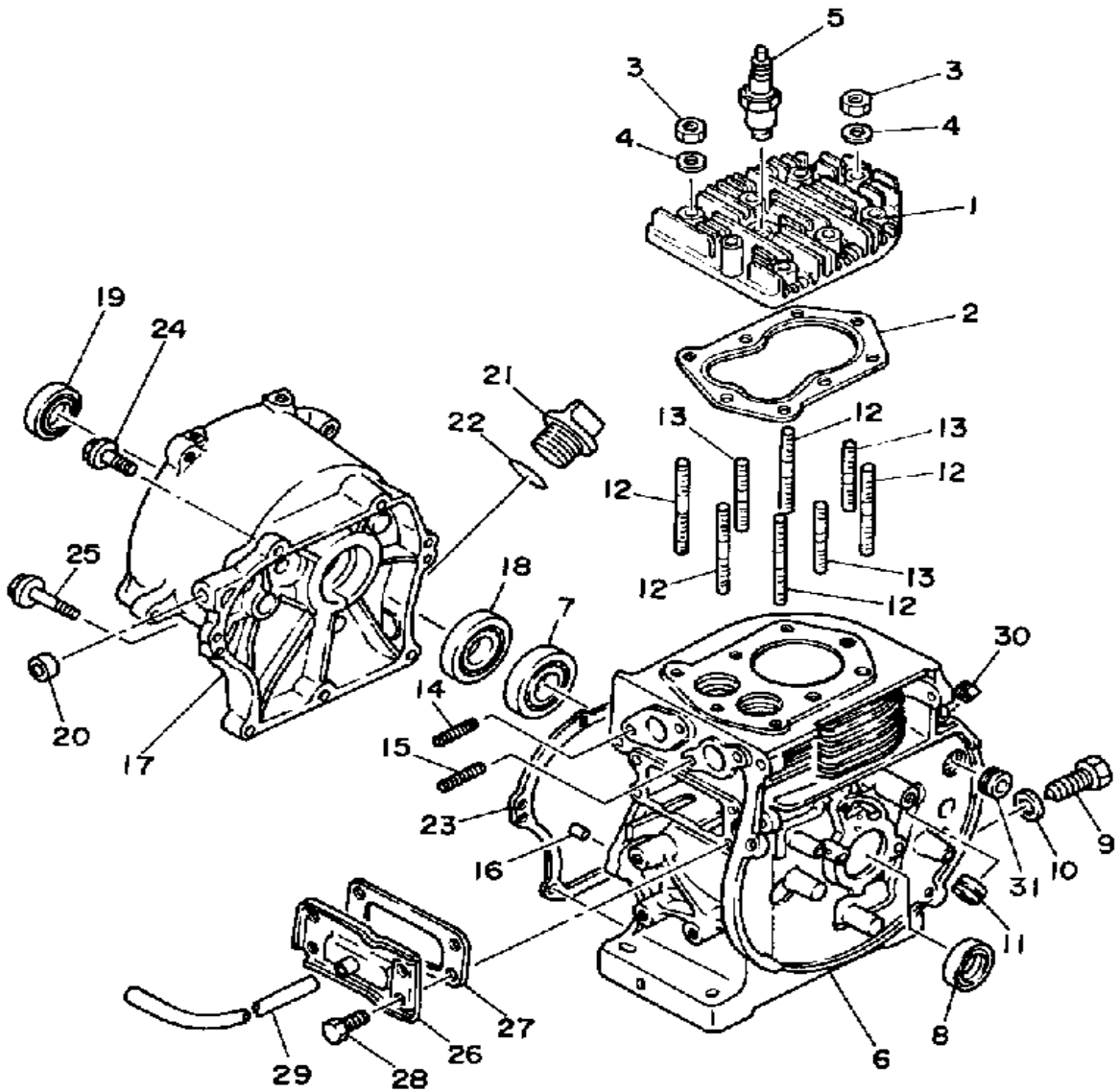




**YAMAHA**

**GENUINE  
PARTS CATALOGUE  
OUTDOOR POWER EQUIPMENT**

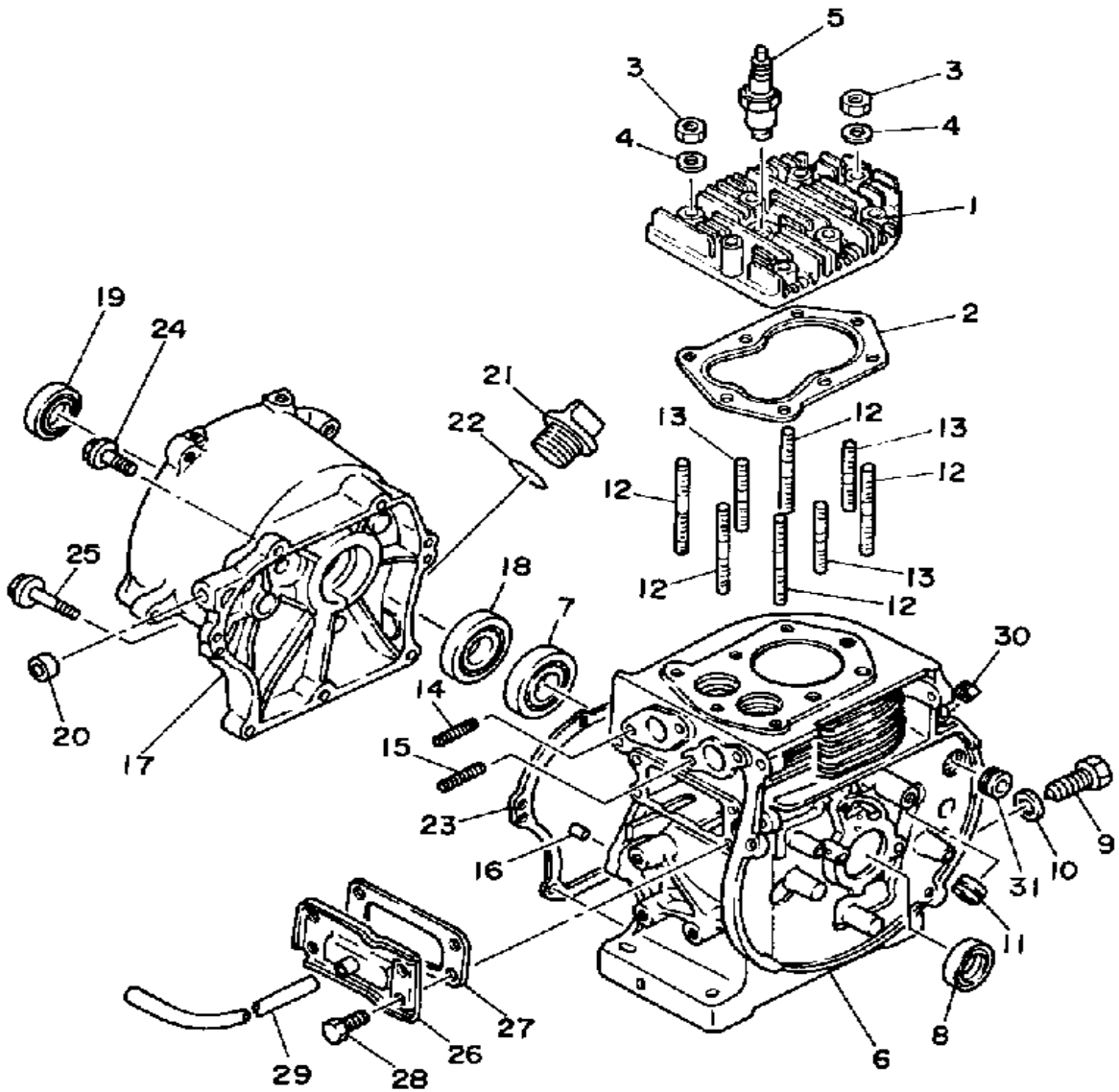
# CYLINDER - CRANKCASE (~801500)



Ref. No.	Part Number	Description	Qty	Remarks
1	(7H5-11111-00-00)	HEAD, CYLINDER 1	2	
2	76G-11181-00-00	GASKET, CYLINDER HEAD 1	1	
3	95333-08600-00	NUT	8	
4	90201-08638-00	WASHER, PLATE	8	
5	NGK-BP6HS-00-00	NGK BP6HS 4PK (94701-00108) (M5)	1	
6	7H5-15111-09-00	CRANKCASE 1 (7H5-15111-00)	1	
7	93306-20427-00	BEARING (62/22-9-C3)	1	
8	93102-22216-00	OIL SEAL	1	
9	97001-12020-00	BOLT	1	
10	812-11198-00-00	GASKET	1	
11	7H5-15365-00-00	GROMMET	1	
12	90116-08252-00	BOLT, STUD	5	
13	(90116-08246-00)	BOLT, STUD	3	
14	90116-08335-00	BOLT, STUD	2	
15	90116-06298-00	BOLT, STUD	2	
16	93607-14099-00	PIN, DOWEL	2	
17	7H5-15411-00-00	COVER, CRANKCASE L	1	
18	93306-20427-00	BEARING (62/22-9-C3)	1	
19	93102-22217-00	OIL SEAL, SD-TYPE (SD-22-41-6)	1	
20	93109-08050-00	OIL SEAL	1	
21	796-15363-01-00	PLUG, OIL	1	
22	93210-22344-00	O-RING	1	
23	7H5-15451-00-00	GASKET, CRCS COVER	1	
24	95811-06025-00	BOLT, FLANGE	5	
25	90109-06516-00	BOLT	2	
26	7H5-11168-01-00	COVER, BREATHER	1	
27	76G-11169-00-00	GASKET, BRTHR COVER (7H5-11169-00)	1	

CONTINUED ON NEXT FRAME ►

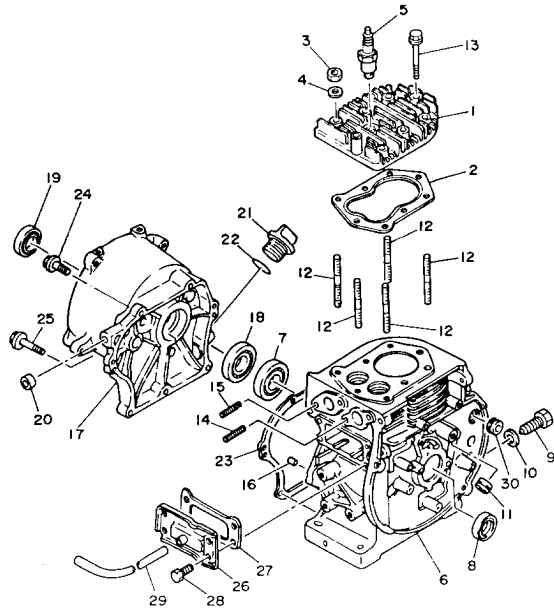
# CYLINDER - CRANKCASE (~801500)



Ref. No.	Part Number	Description	Qty	Remarks
28	90109-06513-00	BOLT .....	4	
29	90445-10334-00	HOSE (6-85) .....	1	
30	663-81922-00-00	GROMMET .....	1	
31	90480-15058-00	GROMMET .....	1	

FWD

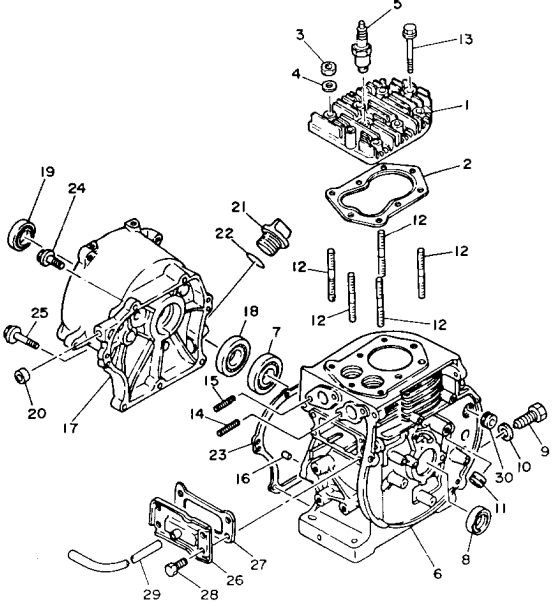
# CYLINDER - CRANKCASE (801501~)



Ref. No.	Part Number	Description	Qty	Remarks
1	7H-51111-10-00	UNAVAILABLE IN PRICE BOOK	1	
2	76G-11181-00-00	GASKET, CYLINDER HEAD 1	1	
3	95333-08600-00	NUT	5	
4	90201-08638-00	WASHER, PLATE	5	
5	NGK-BPR6H-S0-00	PLUG, SPARK (NGK BP6HS)	1	
6	77V-15110-00-00	CRANKCASE ASSEMBLY 1	1	E/G NO. 801501
7	93306-20427-00	BEARING (62/22-9-C3)	1	
8	93102-22216-00	OIL SEAL	1	
9	97001-12020-00	BOLT	1	
10	812-11198-00-00	GASKET	1	
11	(90480-17218-00)	GROMMET	1	
12	90116-08252-00	BOLT, STUD	5	
13	95811-08045-00	BOLT, FLANGE (JN5)	3	
14	90116-08335-00	BOLT, STUD	2	
15	90116-06298-00	BOLT, STUD	2	
16	93607-14099-00	PIN, DOWEL	2	
17	7H5-15411-00-00	COVER, CRANKCASE L	1	
18	93306-20427-00	BEARING (62/22-9-C3)	1	
19	93102-22217-00	OIL SEAL, SD-TYPE (SD-22-41-6)	1	
20	93109-08050-00	OIL SEAL	1	
21	796-15363-01-00	PLUG, OIL	1	
22	93210-22344-00	O-RING	1	
23	7H5-15451-00-00	GASKET, CRCS COVER	1	
24	95811-06025-00	BOLT, FLANGE	5	
25	90109-06516-00	BOLT	2	
26	7H5-11168-01-00	COVER, BREATHER	1	
27	76G-11169-00-00	GASKET, BRTHR COVER (7H5-11169-00)	1	

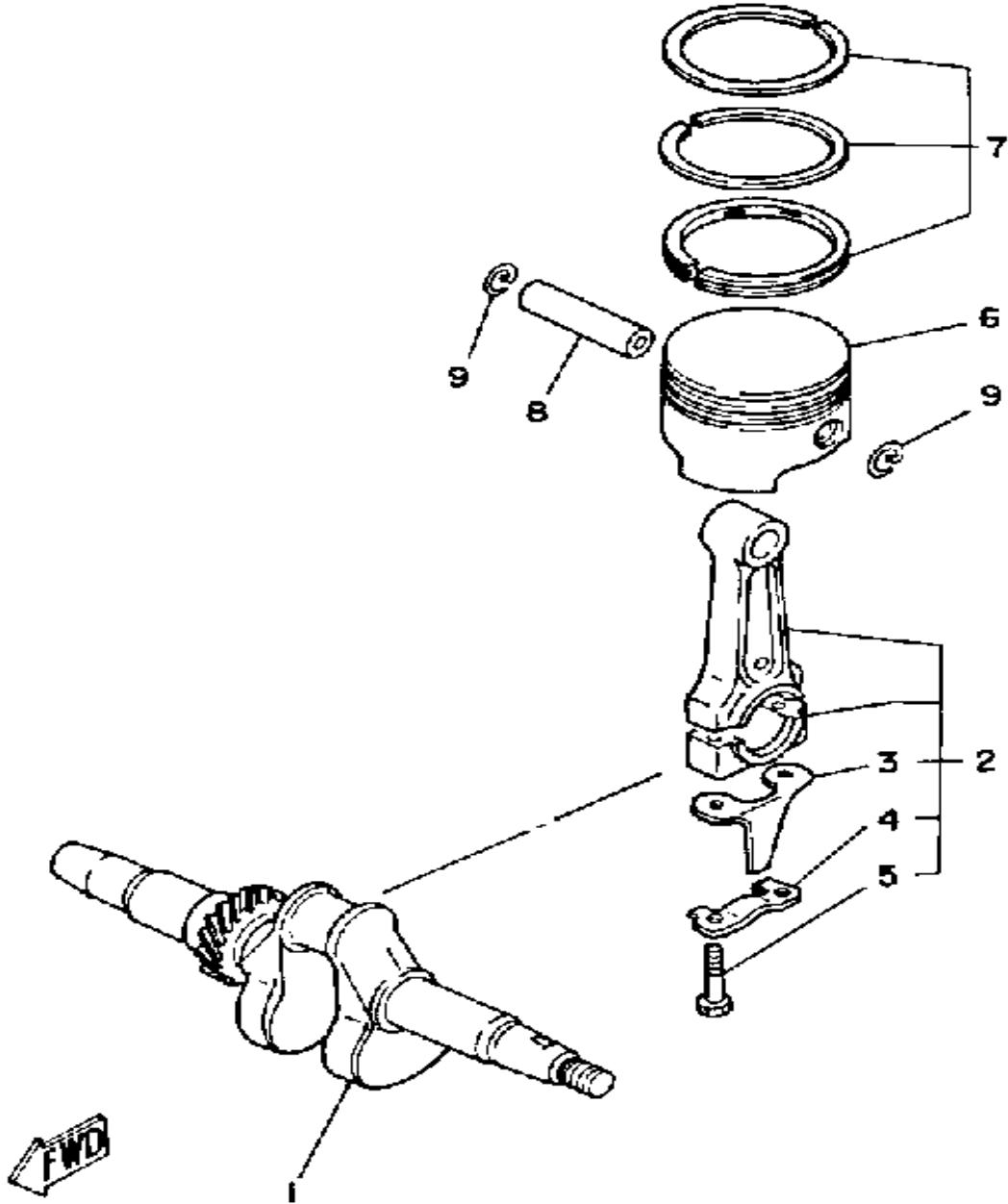
CONTINUED ON NEXT FRAME ►

# CYLINDER - CRANKCASE (801501~)



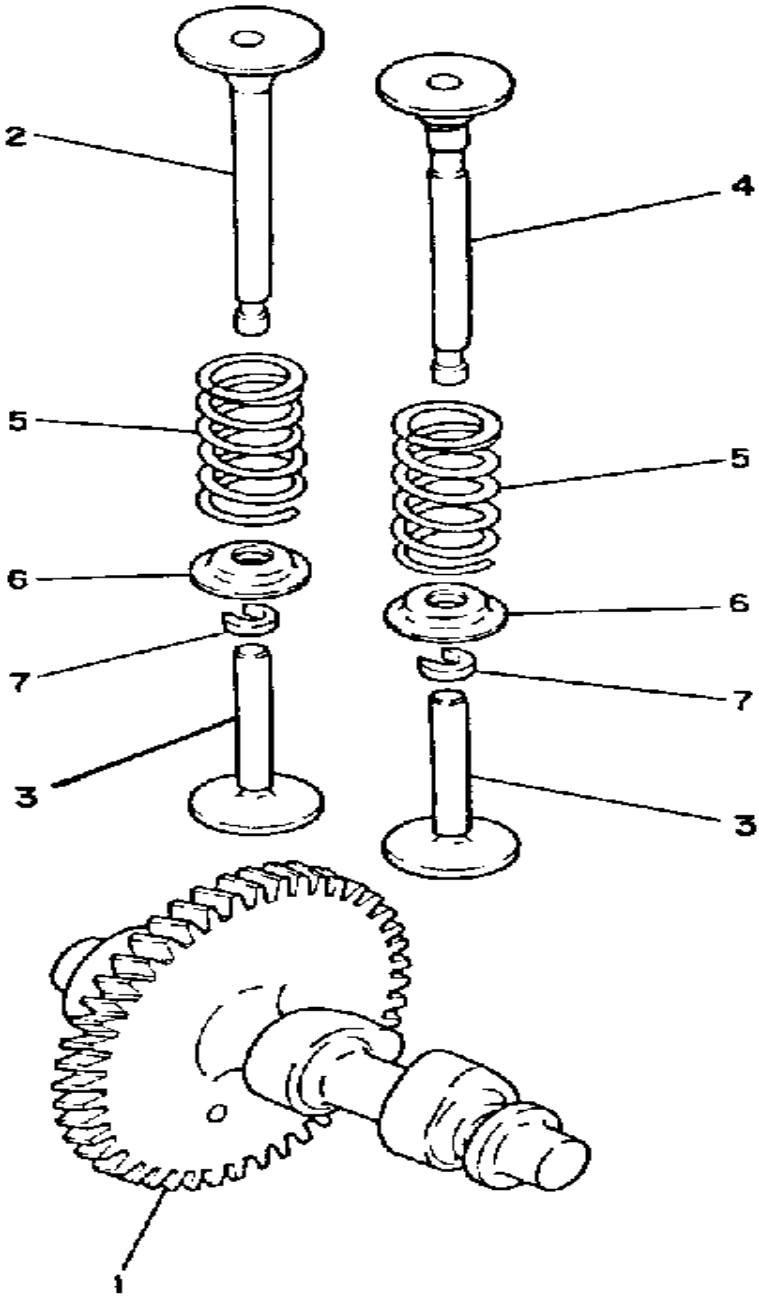
Ref. No.	Part Number	Description	Qty	Remarks
28	90109-06513-00	BOLT .....	4	
29	90445-10334-00	HOSE (6-85) .....	1	
30	90480-15058-00	GROMMET .....	1	

# CRANKSHAFT - PISTON



Ref. No.	Part Number	Description	Qty	Remarks
1	7H5-11400-01-00	CRANKSHAFT ASSEMBLY ...	1	
2	7H5-11650-01-00	CONNECTING ROD ASSEMBLY	1	U.R.
	7H5-11665-01-00	CON ROD ASSEMBLY 3 .....	1	U.R.
	7H5-11666-01-00	CON ROD ASSEMBLY 4 .....	1	U.R.
3	7H5-11657-00-00	. SPLASHER, OIL .....	1	
4	7H5-11449-00-00	. WASHER, LOCK .....	1	
5	7H5-11654-00-00	. BOLT, CON ROD .....	2	
6	7H5-11631-00-93	PISTON STD (61.93MM STD) ..	1	U.R.
	7H5-11635-00-00	PISTON 1 O/S 0.25 (62.25MM 1ST O.S) .....	1	ALT. PART
	7H5-11636-00-00	PISTON 2 O/S 0.50 (62.50MM 2ND O.S) .....	1	ALT. PART
7	7H5-11610-01-00	PISTON RING SET (7H5-11610-00) (STD) .....	1	
	7H5-11610-01-00	PISTON RING SET (7H5-11610-00) (STD) .....	1	101-
	7H5-11610-11-00	PISTON RING SET (7H5-11610-10) (1ST O.S) .....	1	
	7H5-11610-11-00	PISTON RING SET (7H5-11610-10) (1ST O.S) .....	1	101-ALT. PART
	7H5-11610-21-00	PISTON RING SET (2ND O.S) .	1	
	7H5-11610-21-00	PISTON RING SET (2ND O.S) .	1	101- ALT. PART
8	7H5-11633-00-00	PIN, PISTON .....	1	
9	93450-15023-00	CIRCLIP .....	2	

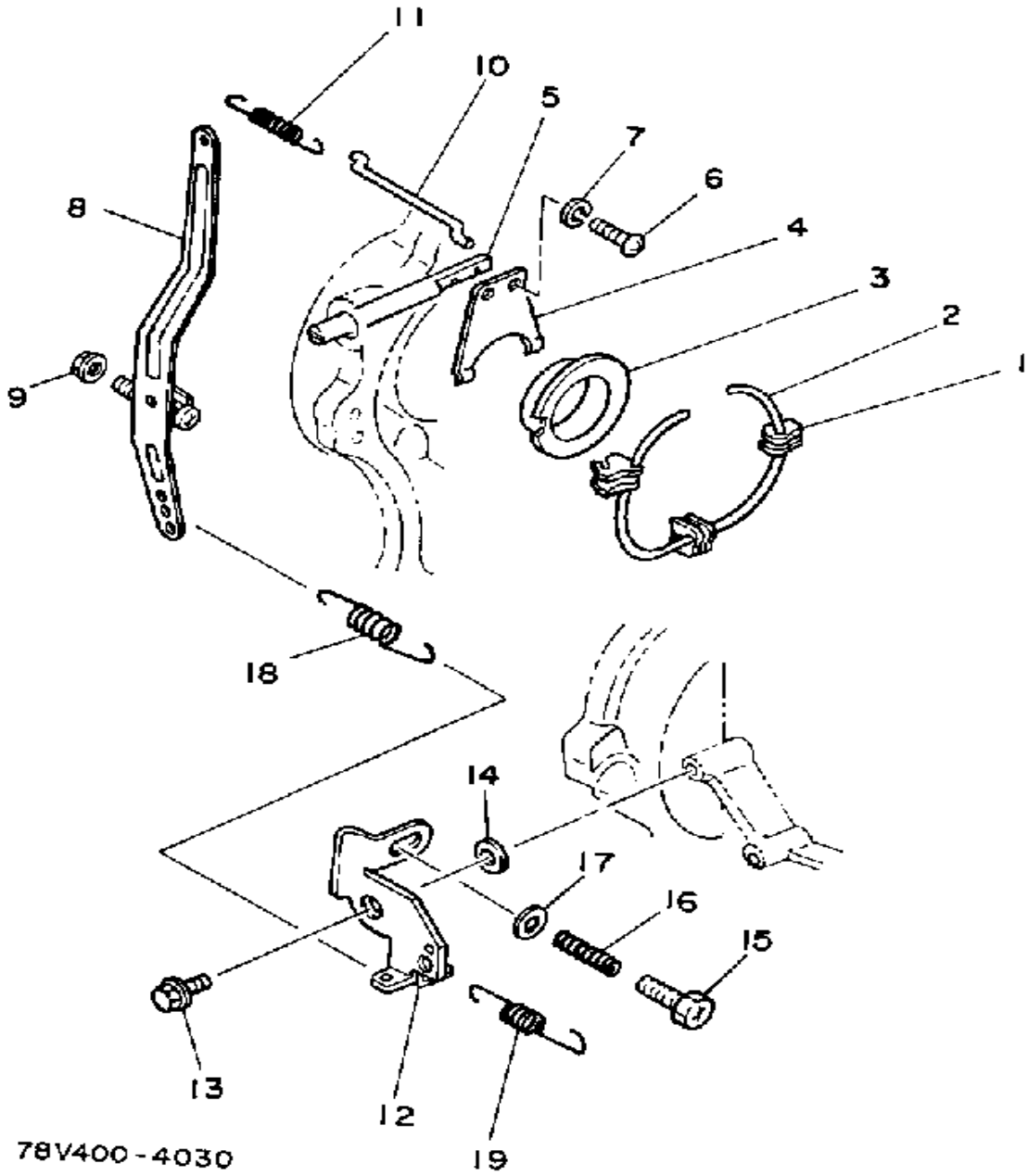
# CAMSHAFT - VALVE



Ref. No.	Part Number	Description	Qty	Remarks
1	7GV-12171-00-00	CAMSHAFT 1 (7H5-12171-00)	1	
2	7H5-12111-21-00	VALVE, INTAKE (7H5-12111-10) (NO. 1)	1	
3	7H5-12153-01-00	LIFTER, VALVE (7H5-12153-00)	2	
4	7H5-12121-22-00	VALVE, EXHAUST (7H5-12121-21) (NO. 2)	1	U.R.
5	90501-23547-00	SPRING, COMPRESSION	2	
6	796-12117-02-00	RETAINER, VALVE SPRING	2	
7	796-12118-00-00	COTTER, VALVERETAINER	2	



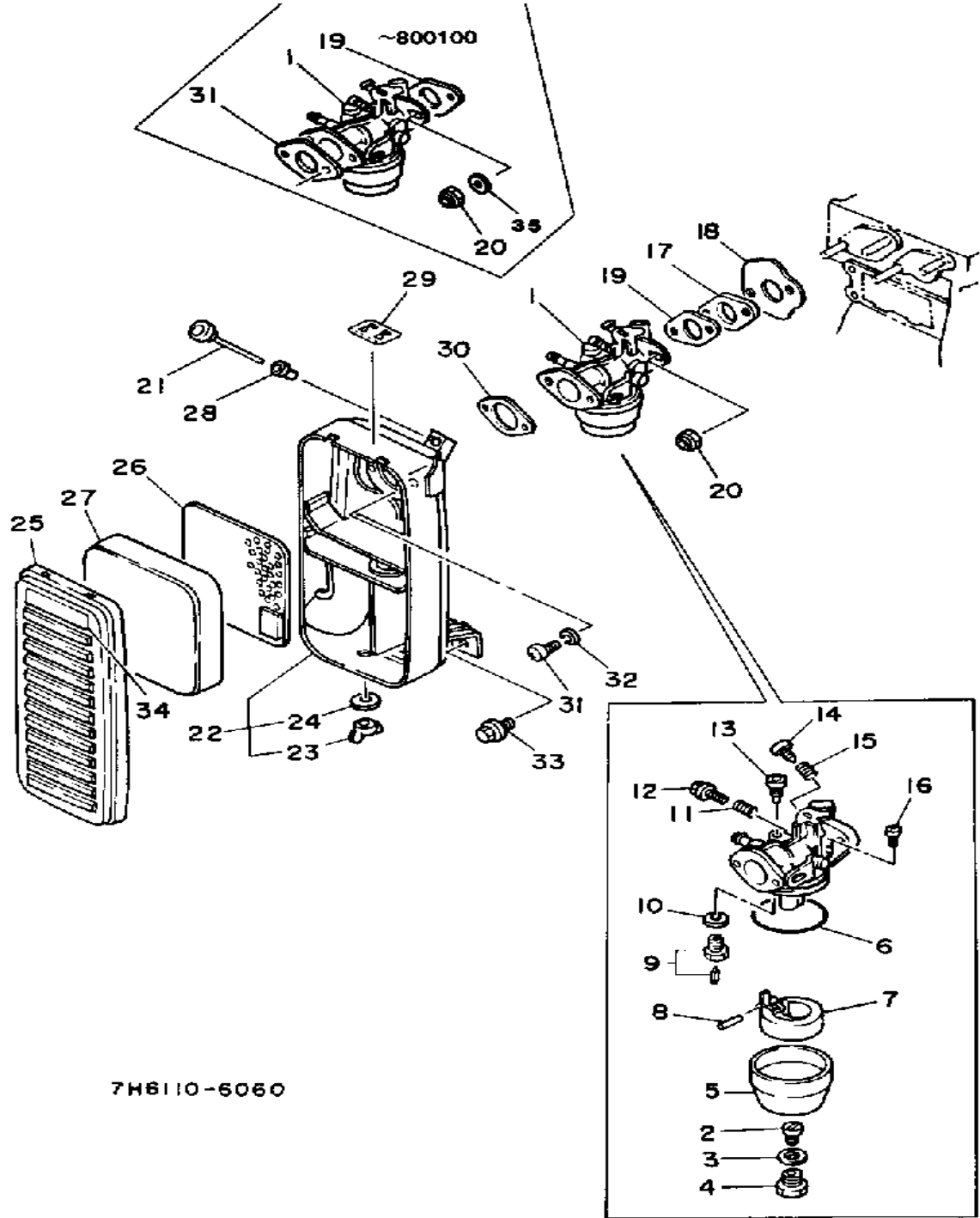
# GOVERNOR



Ref. No.	Part Number	Description	Qty	Remarks
1	796-11913-00-00	WEIGHT .....	6	
2	7H5-12273-00-00	HOLDER, WEIGHT .....	1	
3	7H5-11917-00-00	COLLAR .....	1	
4	7H5-11922-00-00	FORK, GOVERNOR .....	1	
5	7H5-11921-00-00	SHAFT, GOVERNOR .....	1	
6	98580-04008-00	. SCREW, PAN HEAD .....	2	
7	92901-04100-00	. WASHER, SPRING .....	2	
8	7H5-11924-01-00	ARM, GOVENOR (7H5-11924-00) .....	1	
9	95701-06500-00	NUT, FLANGE .....	1	
	95701-06500-00	NUT, FLANGE .....	1	101-
10	796-11928-01-00	ROD, LINK .....	1	
11	90506-05141-00	SPRING, TENSION .....	1	
12	7H5-11915-00-00	PLATE, THRUST 1 .....	1	
13	90149-06148-00	SCREW, SPEC'L SHAPE .....	1	
14	90201-065F3-00	WASHER, PLATE .....	1	
15	90157-06030-00	SCREW, PAN HEAD .....	1	
16	90501-12473-00	SPRING, COMPRESSION .....	1	
17	90201-06050-00	WASHER, PLATE .....	1	
18	90506-12230-00	SPRING, TENSION .....	1	
19	90506-12219-00	SPRING, TENSION .....	1	



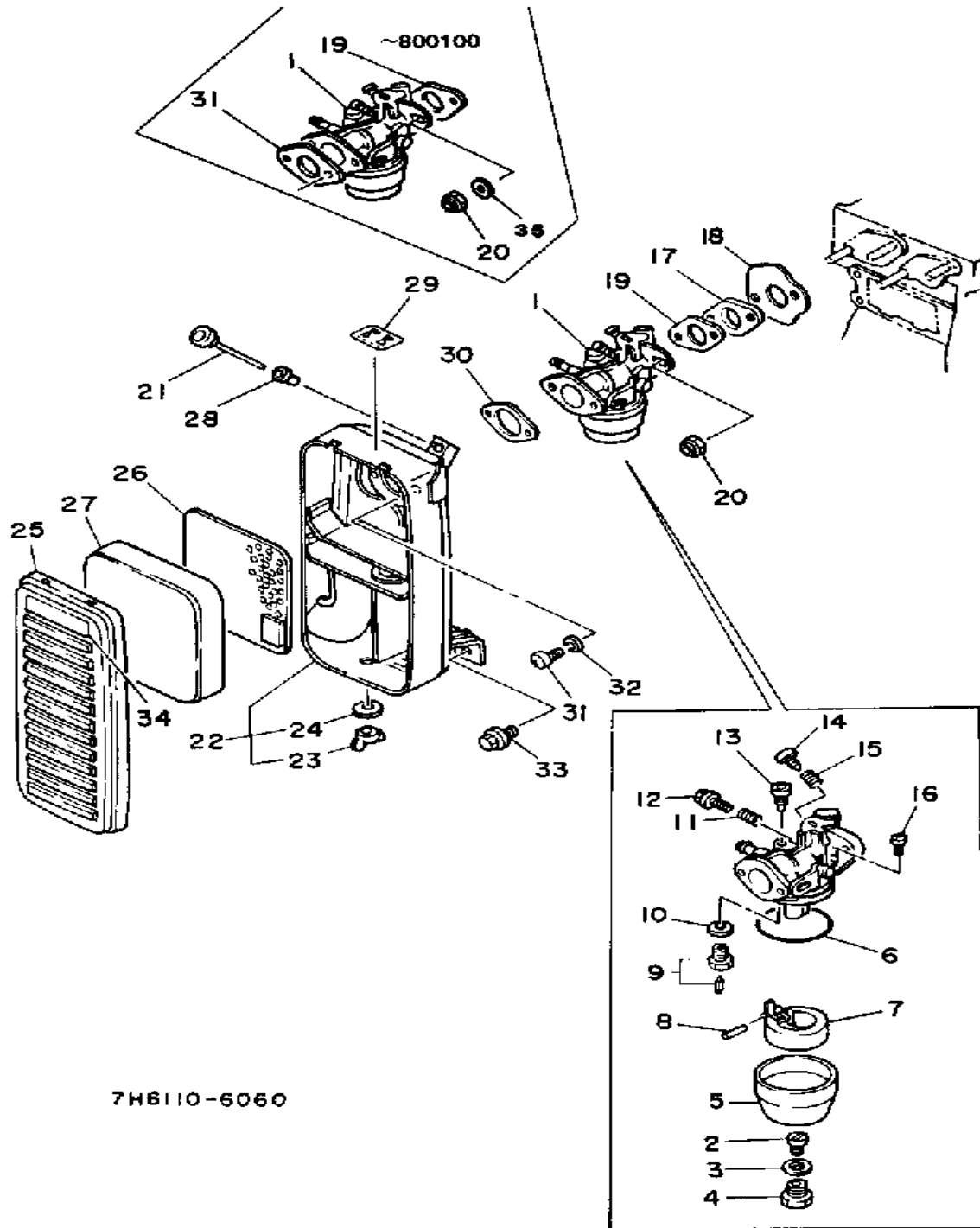
# AIR CLEANER - CARBURETOR



Ref. No.	Part Number	Description	Qty	Remarks
1	7H6-14501-02-00	CARBURETOR ASSEMBLY 1 (7H6-14501-01)	1	
2	3G2-1423A-69-00	JET, MAIN 92 5	1	
3	732-14237-00-00	. GASKET	1	
4	796-14261-00-00	. HOLDER	1	
5	796-14181-00-00	. BODY, FLOAT CHMBR 1	1	
6	796-14184-00-00	. GASKET, FLOAT CHAMBER	1	
7	796-14185-00-00	. FLOAT	1	
8	796-14186-00-00	. PIN, FLOAT	1	
9	168-14190-20-00	. NEEDLE VALVE ASSEMBLY	1	
10	214-14195-00-00	. WASHER, NEEDLE VALVE	1	
11	620-14133-00-00	. SPRING, THRTL STOP (#37.5)	1	
12	7H9-14216-01-00	. SCREW	1	
13	620-14142-50-00	. JET, PILOT # 0	1	
14	732-14211-00-00	. SCREW, PILOT ADJUSTING	1	
15	620-14212-00-00	. SPRING, PILOT ADJUSTING	1	
16	98580-04008-00	. SCREW, PAN HEAD	1	
17	76G-13555-00-00	MANIFOLD, INTAKE	1	
18	7H5-13556-00-00	GASKET, MANIFOLD	1	
19	796-13557-00-00	GASKET	1	
20	95601-06100-00	NUT, U	2	
	95601-06200-00	NUT, U FLANGE	2	123-
21	796-14583-00-00	LEVER, CHOKE	1	
22	7H5-14411-01-00	CASE, AIR CLEANER 1	1	
23	90175-06008-00	NUT, WING	1	
24	90201-065F3-00	WASHER, PLATE	1	
	90201-065F3-00	WASHER, PLATE	1	123-
25	7H5-14412-11-00	CAP, CLEANER CASE 1	1	

CONTINUED ON NEXT FRAME ►

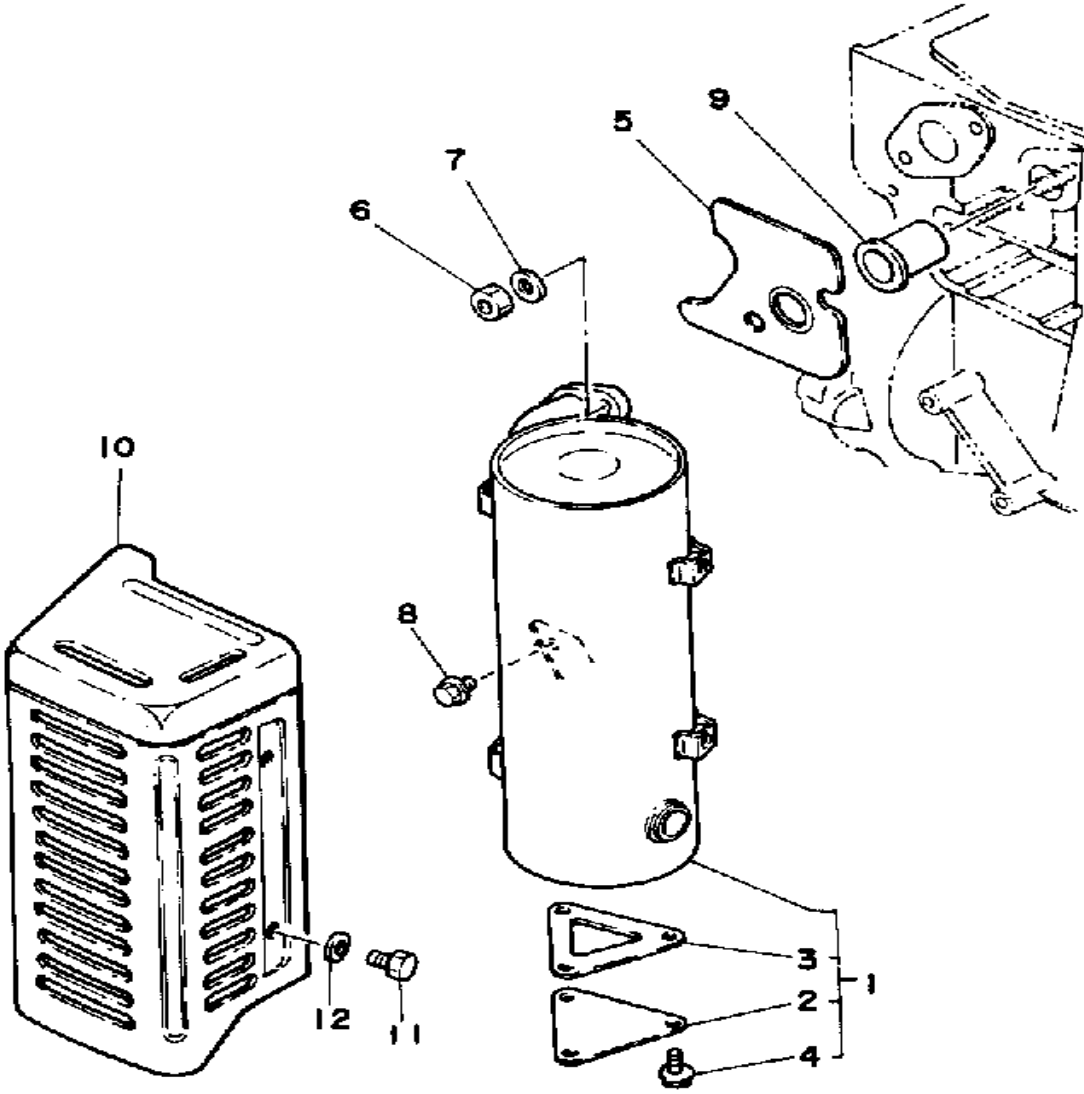
# AIR CLEANER - CARBURETOR



Ref. No.	Part Number	Description	Qty	Remarks
26	7H5-14468-00-00	PLATE, ELEMENT FTNG	1	
27	796-14451-01-00	ELEMENT, AIR CLNR	1	
28	796-14445-00-00	GROMMET	1	
29	(799-24155-01-00)	INDICATOR, CHOKE	1	
	7H6-24155-U0-00	INDICATOR, CHOKE	1	123-
30	796-14416-00-00	GASKET, AIR CLEANER	1	
31	98580-06010-00	SCREW, PAN HEAD (92503-06010)	2	
	98580-06010-00	SCREW, PAN HEAD (92503-06010)	2	123-
32	92995-06100-00	WASHER, SPRING	1	
	92995-06100-00	WASHER, SPRING	2	123-
33	90109-08519-00	BOLT	1	
34	7EJ-14488-10-00	LABEL, CAUTION	1	
35	90201-06643-00	WASHER, PLATE	2	

7H6110-6060

# EXHAUST (~801500)

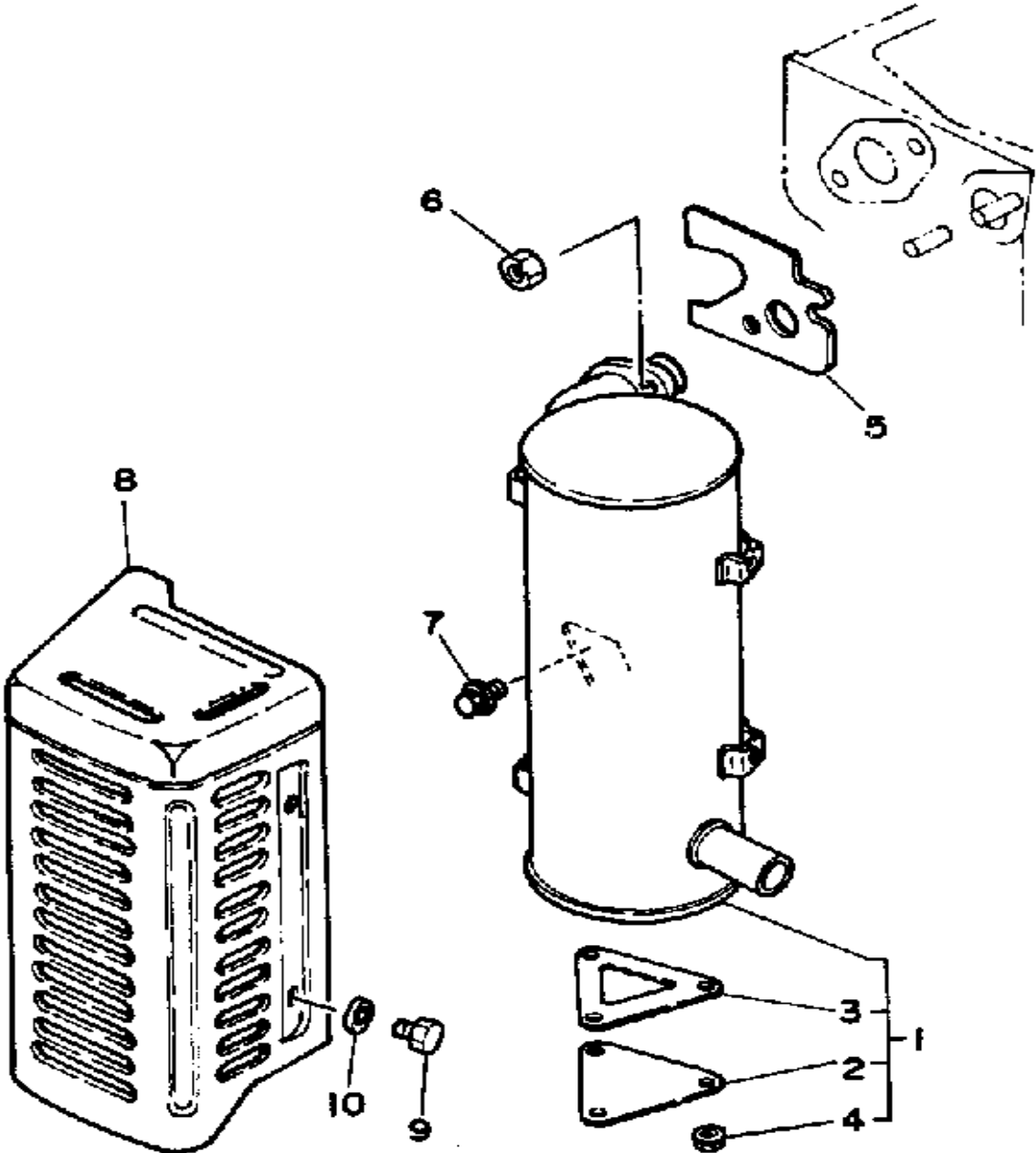


Ref. No.	Part Number	Description	Qty	Remarks
1	7H6-14780-01-00	SPARK ARRESTER .....	1	
2	799-14717-00-00	. PLATE, STOPPER .....	1	
3	799-14714-00-00	. GASKET, MUFFLER .....	1	
4	95811-06010-00	. BOLT, FLANGE .....	2	
5	7GV-14613-00-00	GASKET, EXH. PIPE .....	1	
6	95380-08600-00	NUT .....	2	
7	92901-08600-00	WASHER .....	2	
8	90109-06513-00	BOLT .....	1	
9	7H5-14712-02-00	RING, JOINT .....	1	
10	7H5-14718-00-98	PROTECTOR, MUFF 1 .....	1	
11	97011-06010-00	BOLT .....	4	
12	92901-06600-00	WASHER .....	4	



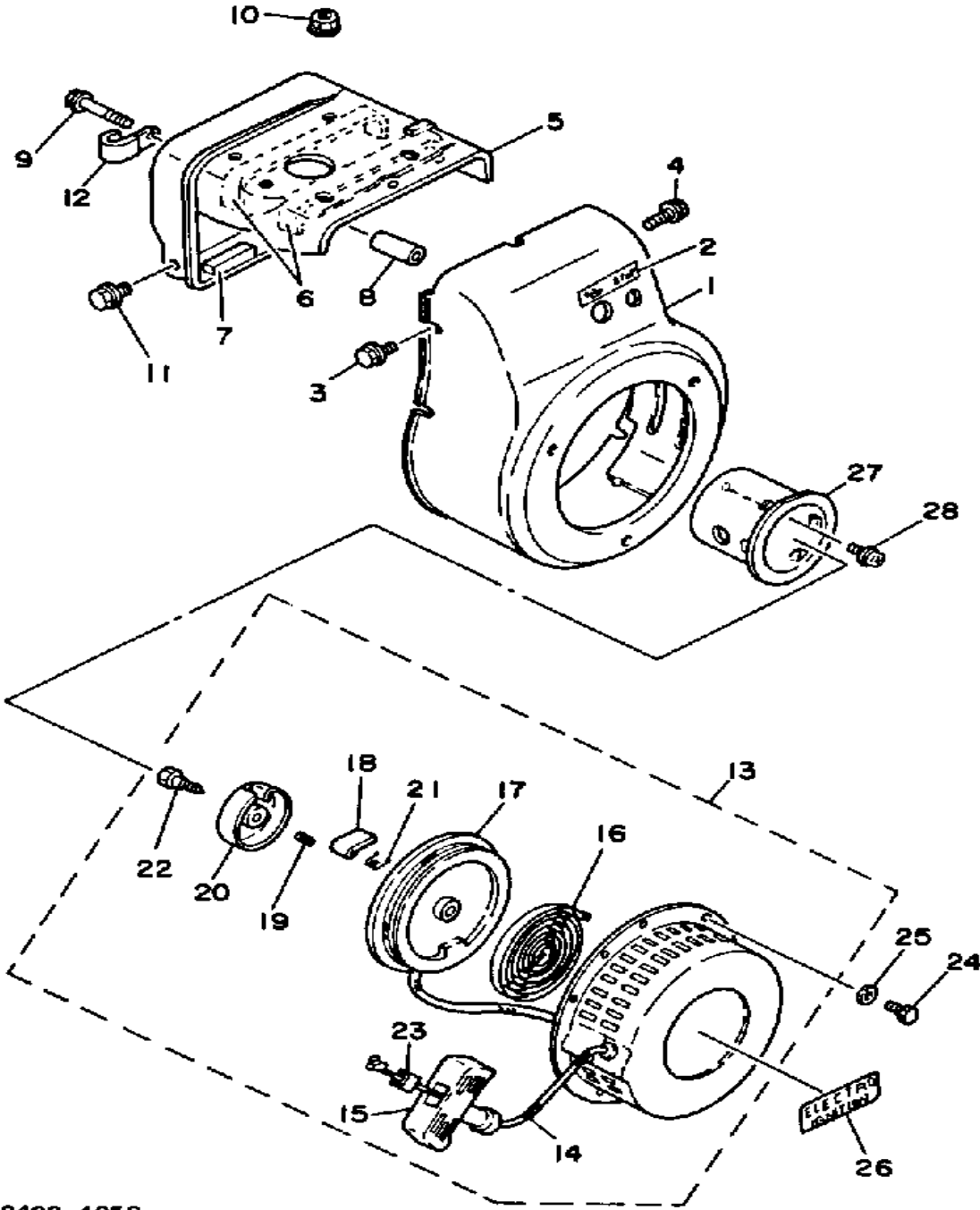
# EXHAUST (801501~)

Ref. No.	Part Number	Description	Qty	Remarks
1	7H6-14780-11-00	SPARK ARRESTER .....	1	E/G NO. 801501-
2	799-14717-00-00	. PLATE, STOPPER .....	1	
3	799-14714-00-00	. GASKET, MUFFLER .....	1	
4	95380-06600-00	. NUT .....	3	
5	7GV-14613-00-00	GASKET, EXH. PIPE .....	1	
6	95380-08600-00	NUT .....	2	
7	90109-06513-00	BOLT .....	1	
8	7H5-14718-00-98	PROTECTOR, MUFF 1 .....	1	CHROME PLATED
9	97011-06010-00	BOLT .....	4	
10	92901-06600-00	WASHER .....	4	



7H6110-6070

# AIR SHROUD - STARTER (~801500)

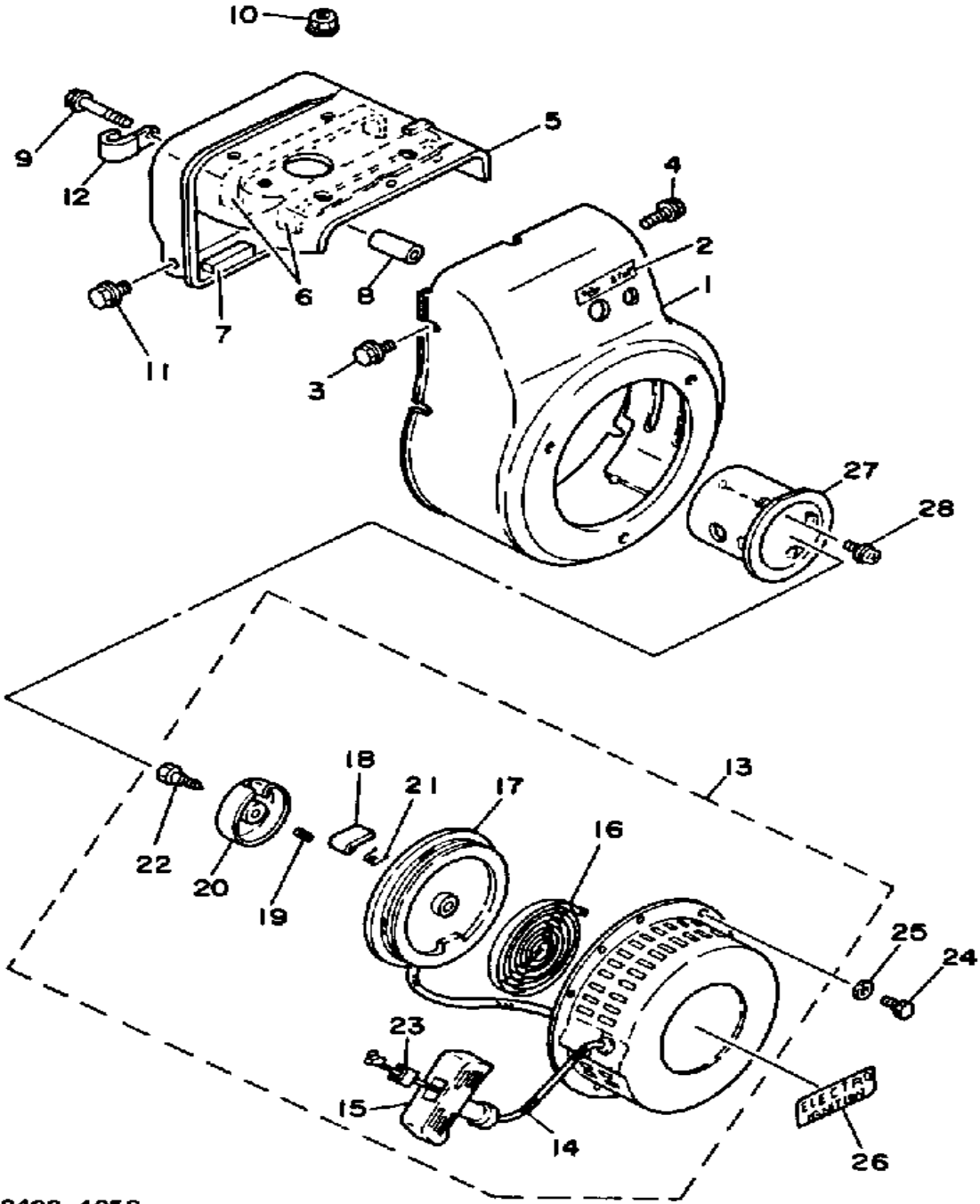


7WB400-4050

Ref. No.	Part Number	Description	Qty	Remarks
1	7H5-12621-00-00	CASE, FAN	1	
2	7H5-12659-00-00	DAMPER, AIR SHRD 2	1	
3	7H-51266-80-00	UNAVAILABLE IN PRICE BOOK	1	
4	7J-02179-31-00	UNAVAILABLE IN PRICE BOOK	1	
5	79-98256-10-00	UNAVAILABLE IN PRICE BOOK	1	
6	90109-06513-00	BOLT	6	
7	7H5-12651-00-86	AIR SHROUD, CYLINDER 1	1	
8	7A9-12658-02-00	DAMPER, AIR SHRD 1	2	
9	7H5-12659-00-00	DAMPER, AIR SHRD 2	1	
10	90387-06574-00	COLLAR	1	
11	90109-06517-00	BOLT	1	
12	95333-08600-00	NUT	3	
13	92901-08600-00	WASHER	3	
14	90109-06513-00	BOLT	2	
15	90465-08028-00	CLAMP	1	
16	95333-08600-00	NUT	2	
17	92901-08600-00	WASHER	2	
18	7H5-15710-00-86	STARTER ASSEMBLY (7H5-15710-00)	1	
19	7H5-15711-00-00	. CASE, STARTER	1	
20	796-15751-00-00	. ROPE, STARTER	1	
21	7EG-15755-00-00	. HANDLE, STARTER (732-15755-00)	1	
22	732-15713-00-00	. SPRING, STARTER	1	
23	796-15714-00-00	. DRUM, SHEAVE	1	
24	732-15741-00-00	. PAWL, DRIVE	1	
25	732-15715-00-00	. SPRING, DRIVE PLATE	1	
26	732-15734-00-00	. SPRING, RETURN	1	
27	732-15726-00-00	. WASHER, FLAT	1	

CONTINUED ON NEXT FRAME ►

# AIR SHROUD - STARTER (~801500)

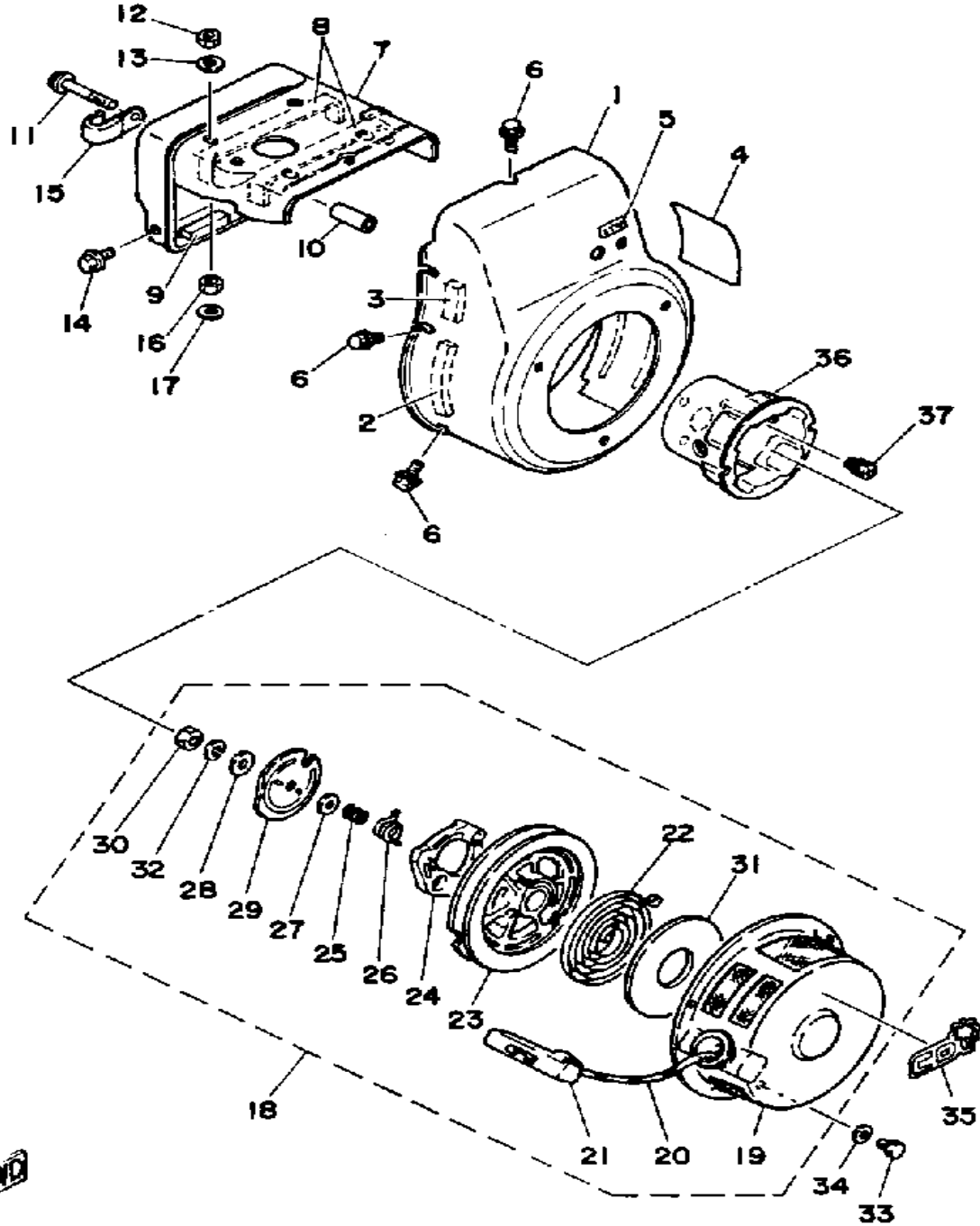


Ref. No.	Part Number	Description	Qty	Remarks
28	732-15719-00-00	. WASHER, THRUST	1	
29	732-15716-00-00	. PLATE, DRIVE	1	
30	95380-06700-00	. NUT	1	
31	796-15724-00-00	. SPACER	1	
32	92995-06100-00	. WASHER, SPRING	1	
33	97011-06010-00	BOLT	3	
34	92901-06600-00	WASHER	3	
35	3E1-21781-00-00	EMBLEM 1	1	
36	7H5-15723-01-00	PULLEY, STARTER (7H5-15723-00)	1	
37	90159-06069-00	SCREW, WITH WASHER	3	

7WB400-4050

# AIR SHROUD - STARTER (801501~)

Ref. No.	Part Number	Description	Qty	Remarks
1	77V-12621-00-86	CASE, FAN .....	1	NAIAD BLUE E/G NO. 801501-
2	7H6-82561-00-00	GRAPHIC, ENG .....	1	
3	90109-06513-00	BOLT .....	5	
4	90109-06524-00	BOLT .....	1	
5	7H5-12651-00-86	AIR SHROUD, CYLINDER 1 ...	1	NAIAD BLUE
6	7A9-12658-02-00	DAMPER, AIR SHRD 1 .....	2	
7	7H5-12659-00-00	DAMPER, AIR SHRD 2 .....	1	
8	90387-06574-00	COLLAR .....	1	
9	90109-06517-00	BOLT .....	1	
10	95701-08500-00	NUT, FLANGE .....	5	
11	90109-06513-00	BOLT .....	2	
12	90465-08028-00	CLAMP .....	1	
13	7R7-15710-01-33	STARTER ASSEMBLY .....	1	NAIAD BLUE E/G NO. 800703-
14	7Y6-15751-00-00	. ROPE, STARTER (7R7-15751-00) .....	1	
15	7R7-15755-00-00	. HANDLE, STARTER .....	1	
16	7R7-15713-00-00	. SPRING, STARTER .....	1	
17	7R7-15714-00-00	. DRUM, SHEAVE .....	1	
18	7R7-15741-00-00	. PAWL, DRIVE .....	1	
19	7X9-15715-00-00	. SPRING, DRIVE PLATE .....	1	
20	7R7-15716-00-00	. PLATE, DRIVE .....	1	
21	7X9-15743-00-00	. CLIP, DRIVE PAWL .....	1	
22	7X9-15768-00-00	. BOLT .....	1	
23	7R7-15756-00-00	. CONNECTOR 1 .....	1	
24	97011-06010-00	BOLT .....	3	
25	92901-06600-00	WASHER .....	3	
26	76G-21781-00-00	EMBLEM 1 .....	1	
27	7R7-15723-00-00	PULLEY, STARTER .....	1	E/G NO. 800703-

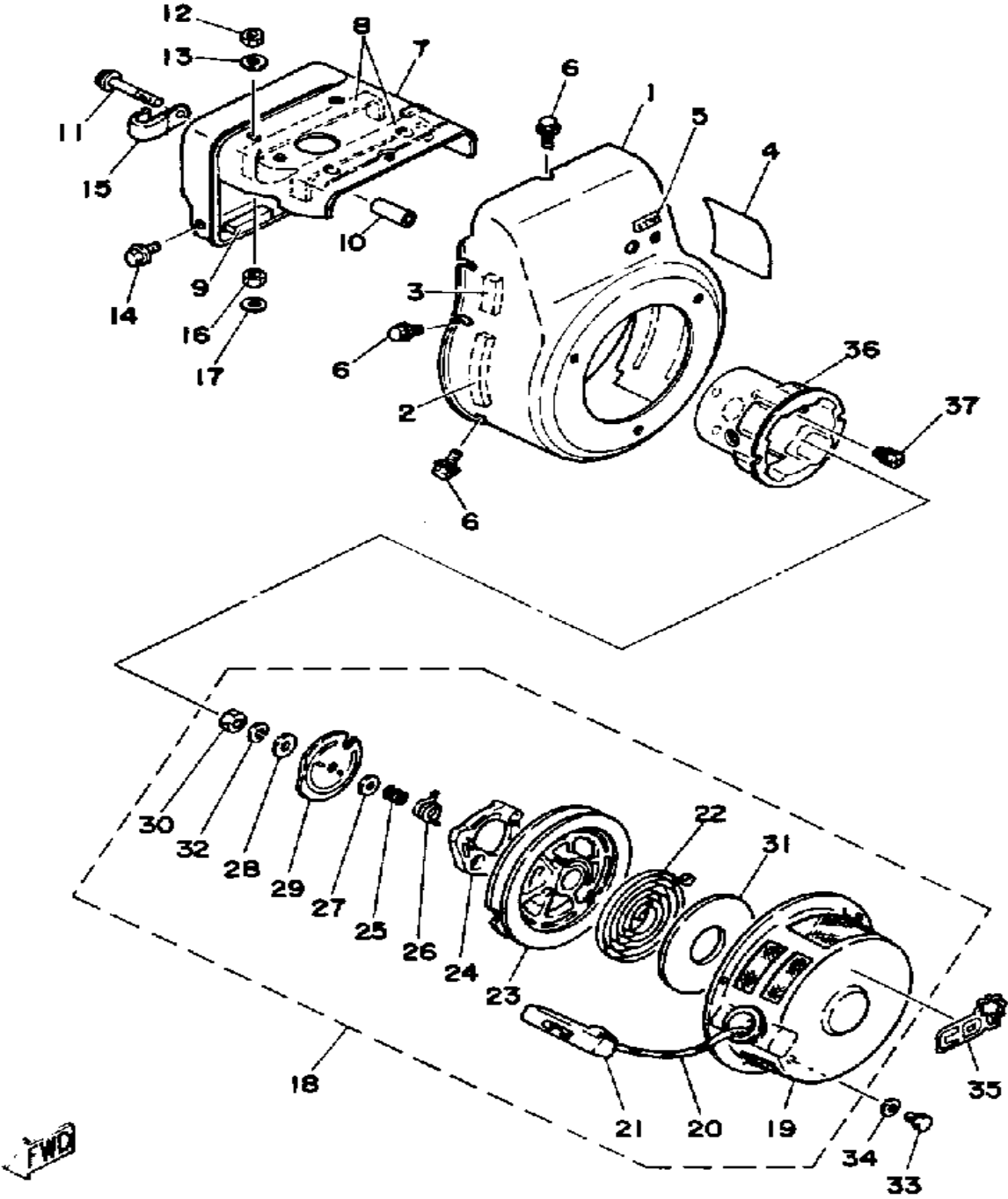


CONTINUED ON NEXT FRAME ➤

# AIR SHROUD - STARTER (801501~)

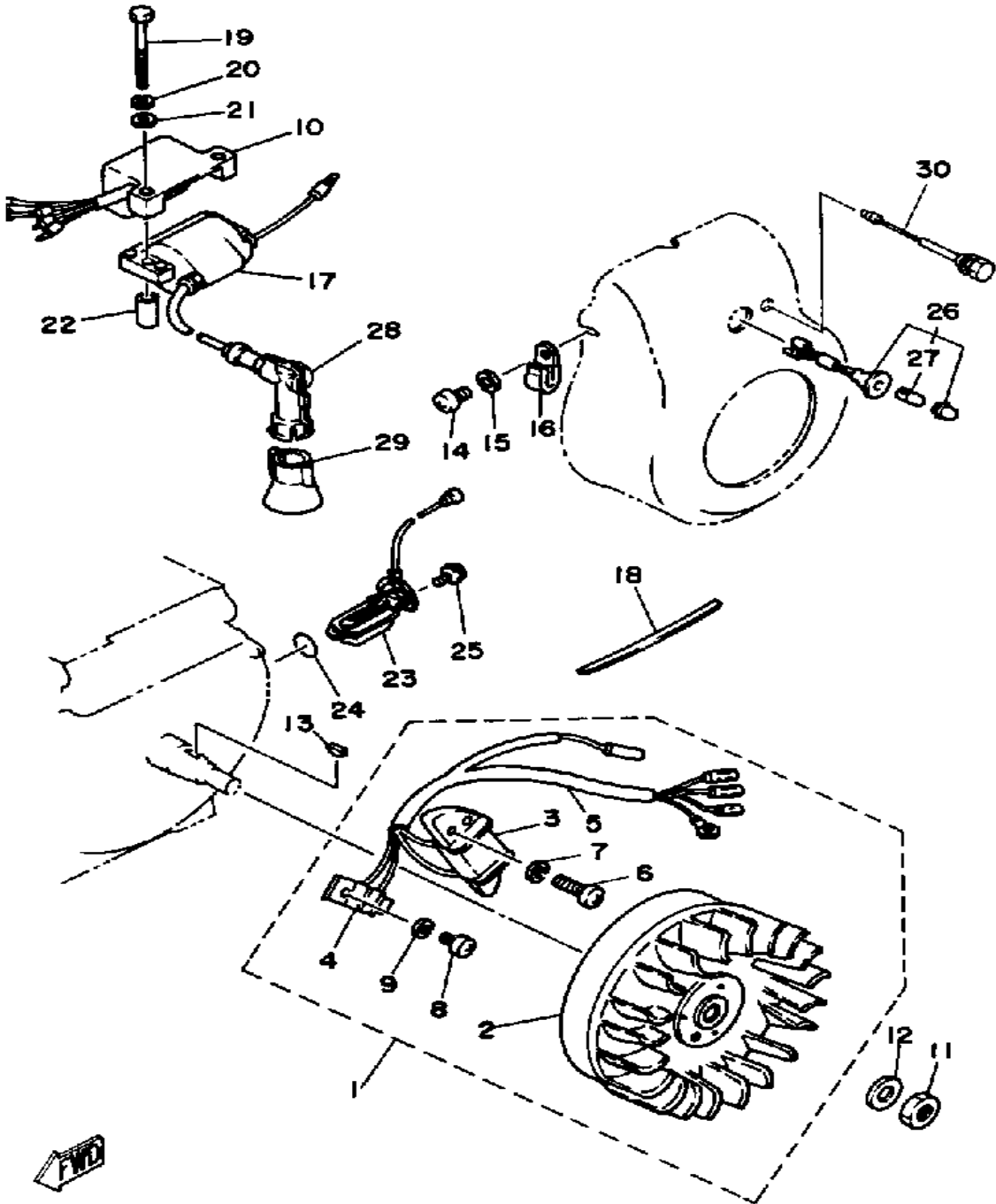
Ref. No.	Part Number	Description	Qty	Remarks
----------	-------------	-------------	-----	---------

28	90159-06069-00	SCREW, WITH WASHER	..... 3	
----	----------------	--------------------	---------	--





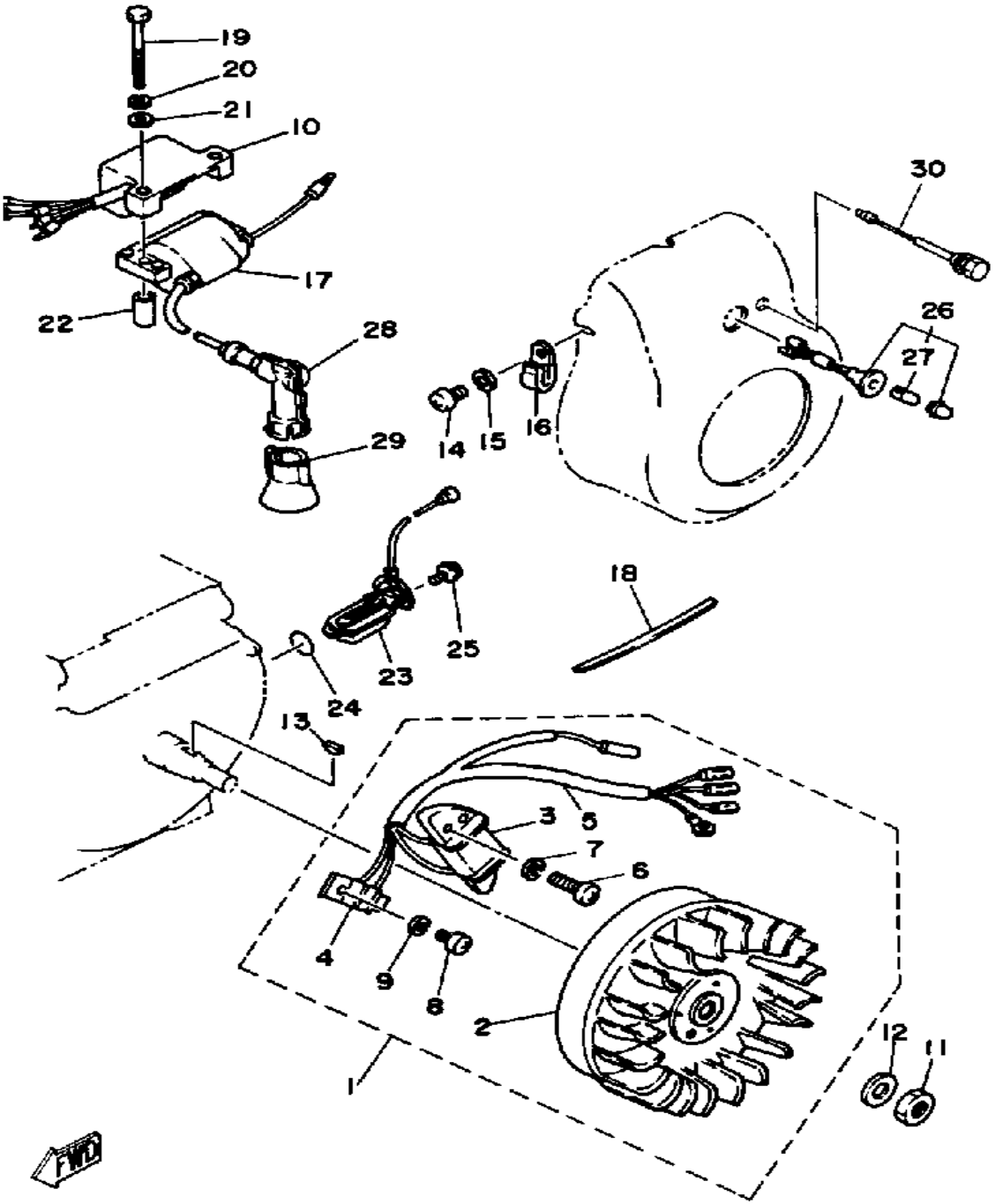
# C - D - I - MAGNETO (~801500)



Ref. No.	Part Number	Description	Qty	Remarks
1	7H5-85500-M0-00	CDI MAGNETO ASSEMBLY ...	1	
2	7H5-85550-M0-00	. ROTOR ASSEMBLY .....	1	
3	7H5-85520-M0-00	. COIL, CHARGE .....	1	
4	7H5-85580-M0-00	. COIL, PULSER .....	1	
5	7H5-8131X-M0-00	. CORD ASSEMBLY .....	1	
6	98511-06025-00	. SCREW PAN HEAD (92501-06025) .....	2	
7	92995-06100-00	. WASHER, SPRING .....	2	
8	98511-04012-00	. SCREW, PAN HEAD .....	2	
9	92901-04100-00	. WASHER, SPRING .....	2	
10	7H5-85540-M3-00	CDI UNIT (7H5-85540-M2) ....	1	
11	90170-14403-00	NUT .....	1	
12	90201-140G9-00	WASHER, PLATE (90201-14707) .....	1	
13	90280-05025-00	KEY, WOODRUFF .....	1	
14	98580-06010-00	SCREW, PAN HEAD (92503-06010) .....	1	
15	92995-06100-00	WASHER, SPRING .....	1	
16	90465-06038-00	CLAMP .....	1	
17	7H5-82310-M0-00	IGNITION COIL ASSEMBLY ...	1	
18	796-81328-00-00	CLAMP .....	1	
19	97313-06070-00	NUT (97301-06070) .....	2	
20	92995-06100-00	WASHER, SPRING .....	2	
21	92901-06600-00	WASHER .....	2	
22	90387-06249-00	COLLAR .....	2	
23	77W-85720-00-00	OIL LVL GAUGE ASSEMBLYASSY .....	1	
24	93210-32390-00	O-RING .....	1	
25	90109-06513-00	BOLT .....	4	
26	7H5-85770-00-00	OIL PILOT LT ASSEMBLY ....	1	
27	7H5-87254-00-00	. BULB, PILOT LAMP (24V/15W) .....	1	

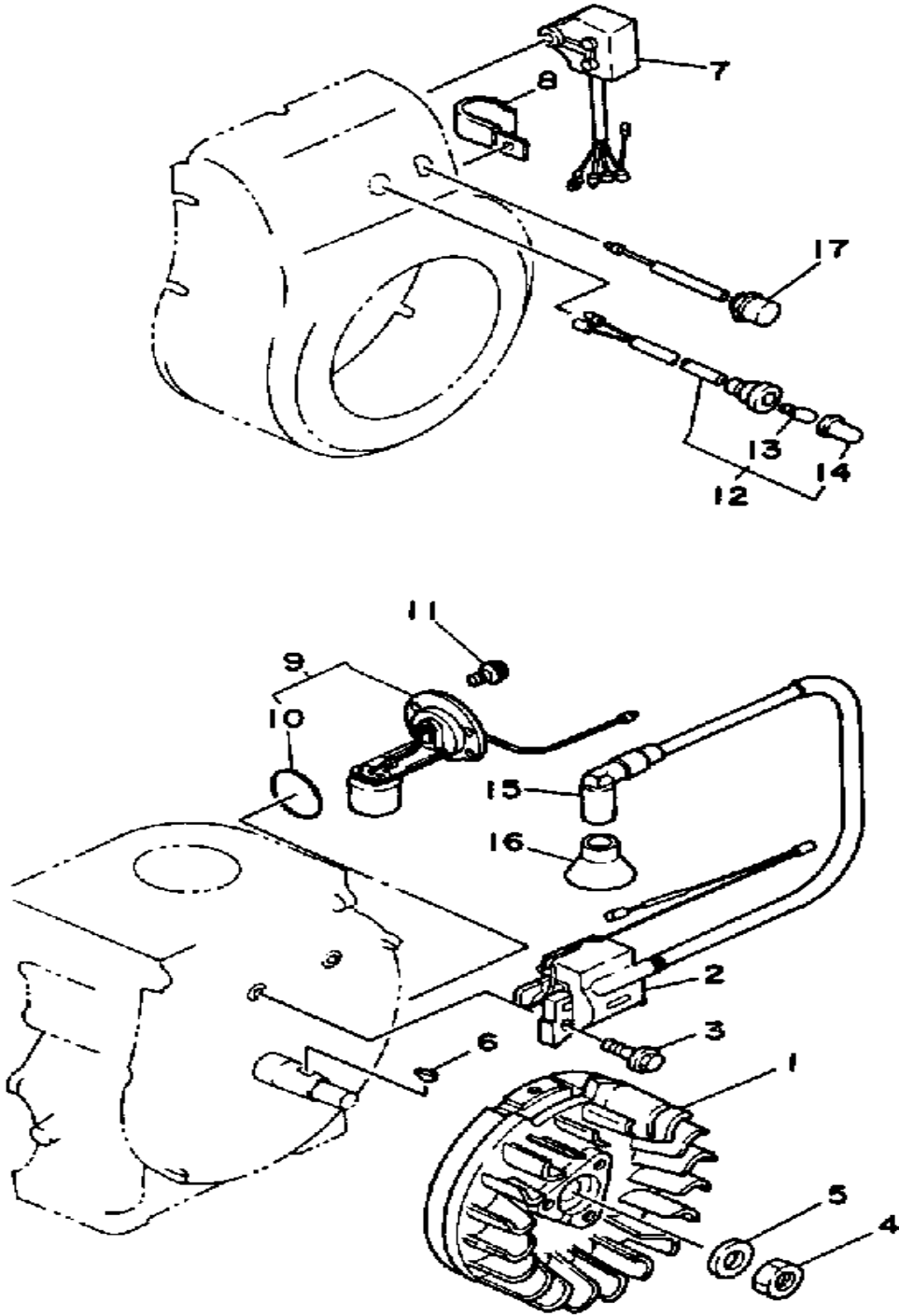
CONTINUED ON NEXT FRAME ►

# C - D - I - MAGNETO (~801500)



Ref. No.	Part Number	Description	Qty	Remarks
28	512-82370-10-00	PLUG CAP ASSEMBLY .....	1	W/NOISE SUPPRESSOR
29	796-82372-01-00	SEAL, PLUG CAP .....	1	
30	796-82550-09-00	STOP SWITCH ASSEMBLY ...	1	

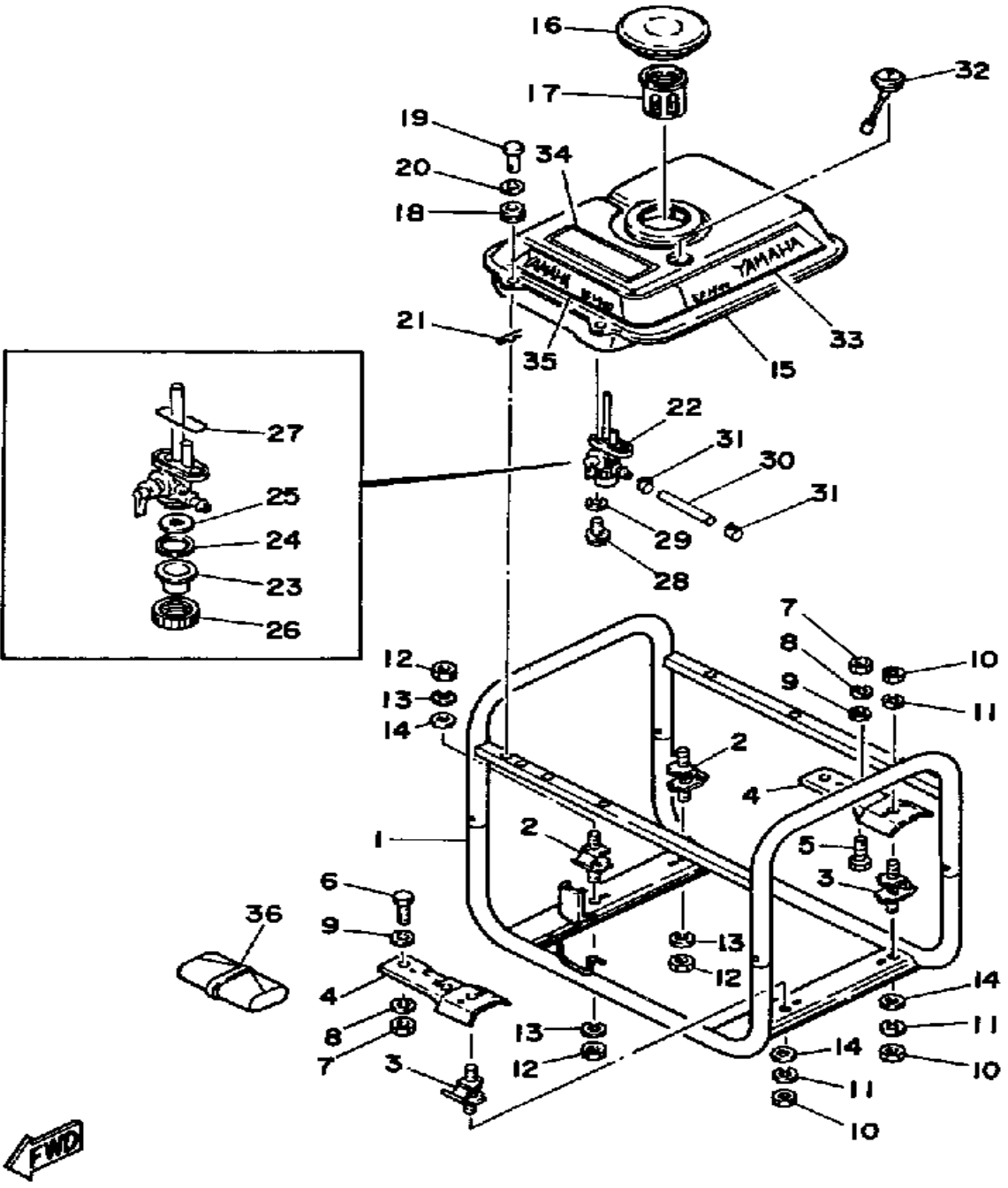
# C - D - I - MAGNETO (801501~)



Ref. No.	Part Number	Description	Qty	Remarks
1	77V-85650-M0-00	ROTOR ASSEMBLY .....	1	
2	77V-85640-M0-00	T.C.I. UNIT ASSEMBLY .....	1	
3	90105-05331-00	BOLT, WASHER BASED .....	2	
4	90170-14403-00	NUT .....	1	
5	92990-14600-00	WASHER .....	1	
6	90280-05025-00	KEY, WOODRUFF .....	1	
7	77V-85690-M0-00	OIL WARNING UNIT .....	1	
8	(90462-08100-00)	CLAMP .....	1	
9	77W-85720-00-00	OIL LVL GAUGE ASSEMBLY .....	1	
10	93210-32390-00	. O-RING .....	1	
11	90109-06513-00	BOLT .....	4	
12	77V-85770-00-00	OIL PILOT LT ASSEMBLY .....	1	
13	7X9-83531-00-00	. BULB, PILOT .....	1	
14	77V-87252-00-00	. LENS, PILOT LIGHT .....	1	
15	73A-82370-00-00	PLUG CAP ASSEMBLY .....	1	
16	77V-82372-00-00	SEAL, PLUG CAP .....	1	
17	76G-82550-00-00	STOP SWITCH ASSEMBLY ...	1	

110-6090

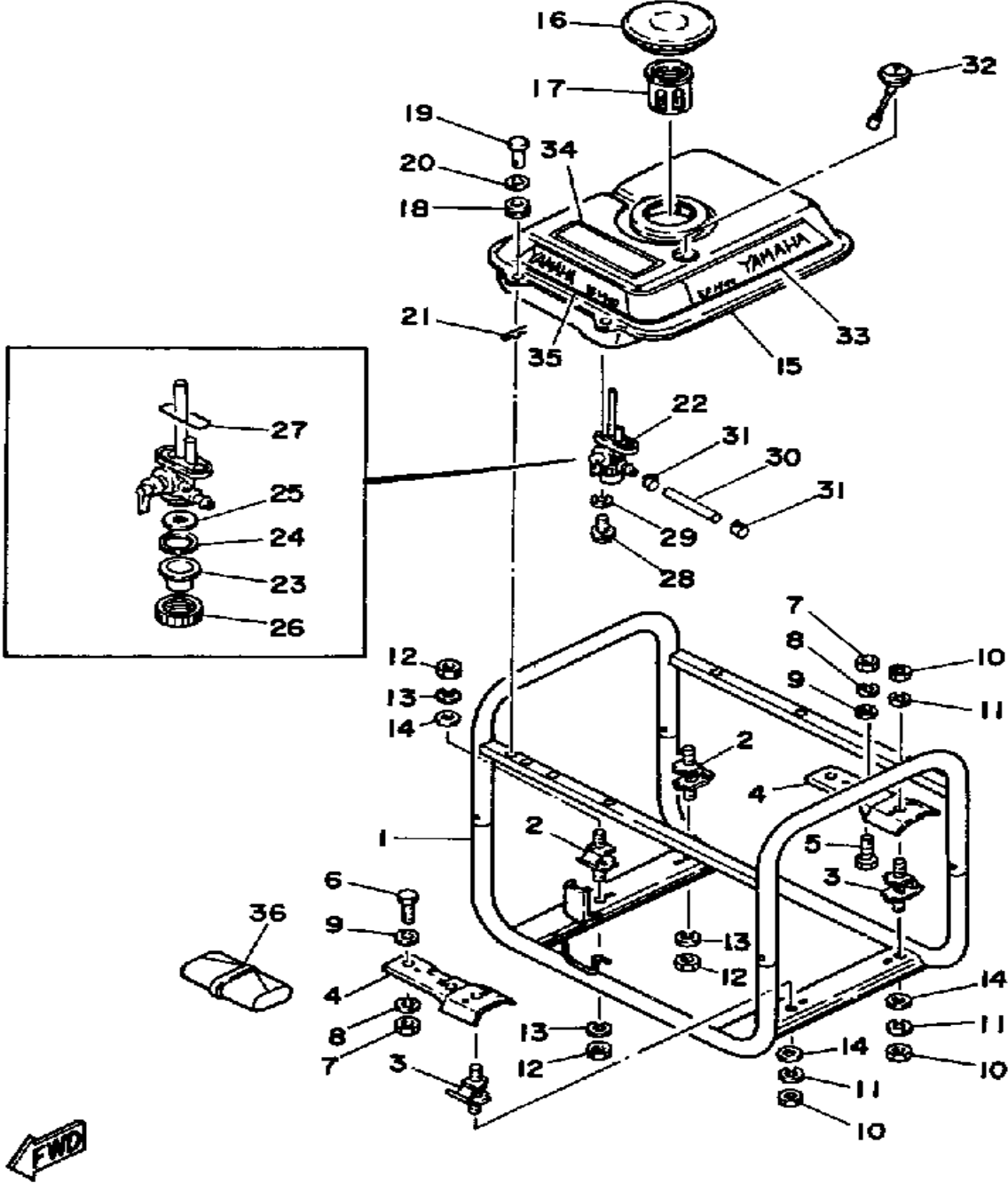
# FRAME - FUEL TANK (~801500)



Ref. No.	Part Number	Description	Qty	Remarks
1	7H6-22810-11-93	FRAME (7H6-22810-10-93)	1	CHROME PLATED
2	796-22891-03-00	INSULATOR, MOUNTING	2	
3	796-22894-00-00	INSULATOR, MNTNG 2	2	
4	7H5-11011-01-00	ENGINE BRACKET	2	
5	97313-08035-00	BOLT, HEXAGON	3	
6	97313-08030-00	BOLT, HEXAGON	1	
7	95303-08700-00	NUT	4	
8	92990-08100-00	WASHER	4	
9	92901-08600-00	WASHER	4	
10	95303-10700-00	NUT	4	
11	92990-10100-00	WASHER, SPRING	4	
12	95303-10700-00	NUT	4	
13	92990-10100-00	WASHER, SPRING	4	
14	92990-10600-00	WASHER, PLATE	2	
15	7H5-24110-01-86	FUEL TANK	1	NAIAD BLUE
16	137-24610-00-00	CAP ASSEMBLY	1	
17	630-24167-00-00	STRAINER	1	
18	90480-14052-00	GROMMET	4	
19	90240-06055-00	PIN, CLEVIS	4	
20	90201-06067-00	WASHER, PLATE	4	
21	90468-10050-00	CLIP	4	
22	7H5-24500-01-00	FUEL COCK ASSEMBLY 1	1	
23	7G5-24521-00-00	. CUP, FILTER	1	
24	7G5-24522-00-00	. GASKET	1	
25	7G5-24515-00-00	. NET, FILTER 2	1	
26	7G5-24531-00-00	NUT	1	
27	2W6-24512-00-00	O-RING	1	
28	90149-06011-00	SCREW	2	
29	90202-05187-00	WASHER, PLATE	2	

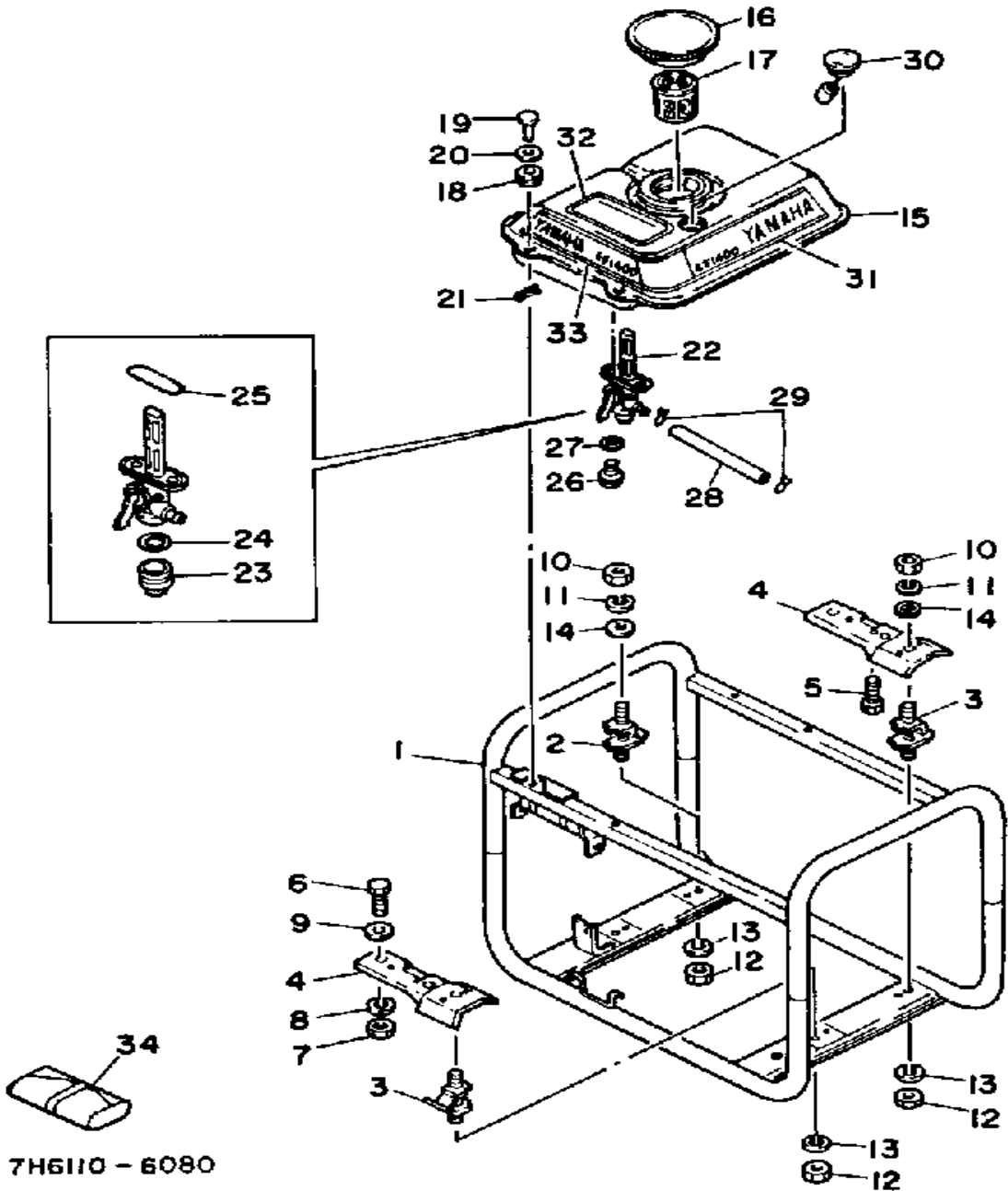
CONTINUED ON NEXT FRAME ➤

# FRAME - FUEL TANK (~801500)



Ref. No.	Part Number	Description	Qty	Remarks
30	90445-126A1-00	HOSE .....	1	
31	90467-11044-00	CLIP .....	2	
32	7F7-85710-02-00	FUEL LVL GAUGE ASSEMBLY	1	
33	7H6-24161-11-00	EMBLEM 1 .....	1	
34	(799-24162-10-00)	EMBLEM 2 .....	1	
35	7H6-24164-11-00	EMBLEM 4 .....	1	
36	79W-W2810-00-00	TOOL KIT .....	1	

# FRAME - FUEL TANK (801501~)

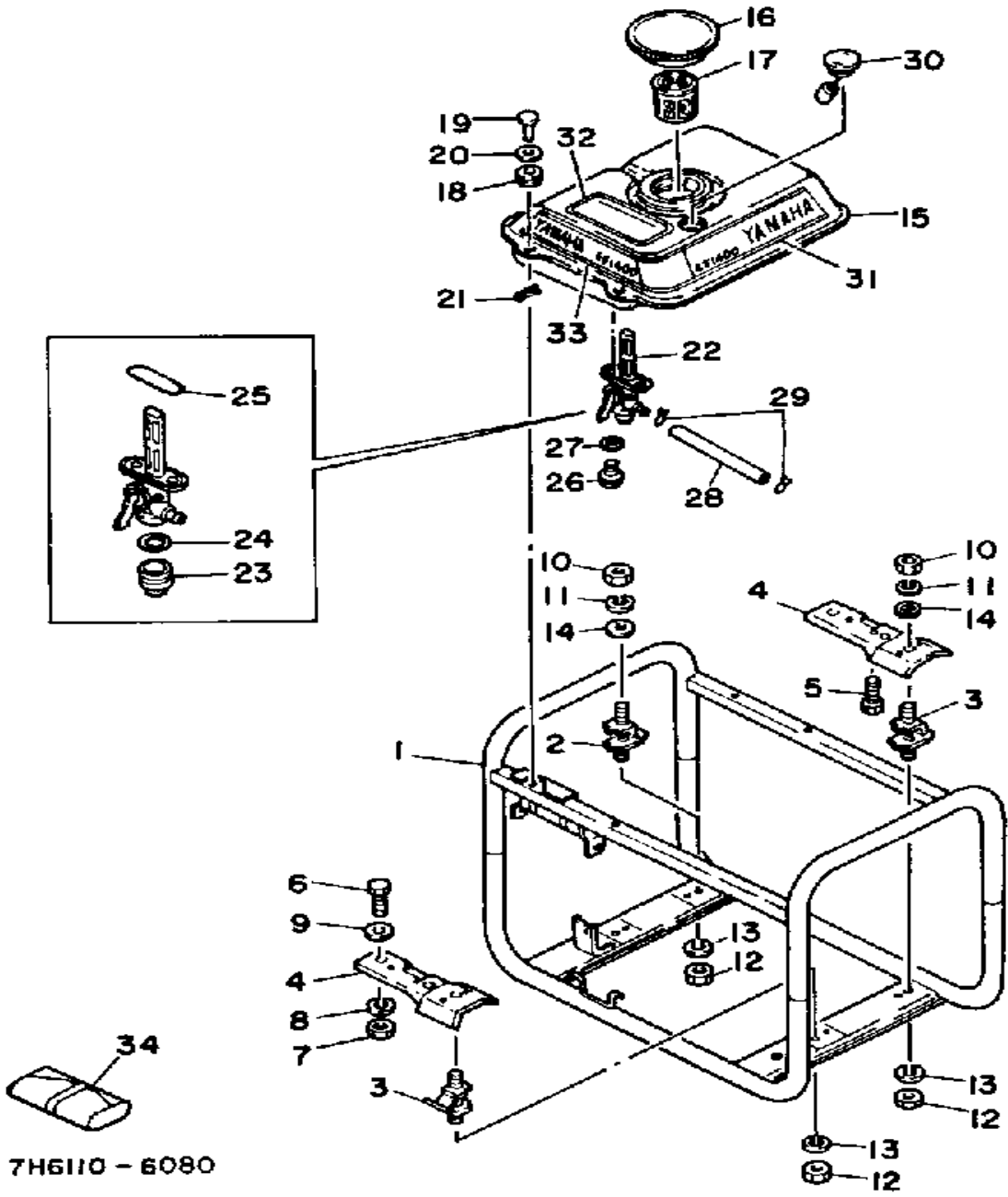


Ref. No.	Part Number	Description	Qty	Remarks
1	7H6-22810-11-93	FRAME (7H6-22810-10-93)	1	CHROME PLATEDE/G NO. 801501-
2	796-22891-03-00	INSULATOR, MOUNTING	2	
3	796-22894-00-00	INSULATOR, MNTNG 2	2	
4	7H5-11011-01-00	ENGINE BRACKET	2	
5	97313-08035-00	BOLT, HEXAGON	3	
6	97313-08030-00	BOLT, HEXAGON	1	
7	95303-08700-00	NUT	4	
8	92990-08100-00	WASHER	4	
9	92901-08600-00	WASHER	4	
10	95303-10700-00	NUT	4	
11	92990-10100-00	WASHER, SPRING	4	
12	95303-10700-00	NUT	4	
13	92990-10100-00	WASHER, SPRING	4	
14	92990-10600-00	WASHER, PLATE	2	
15	7H5-24110-01-86	FUEL TANK	1	NAIAD BLUE
16	7V5-24610-01-00	CAP ASSEMBLY	1	
17	630-24167-00-00	STRAINER	1	
18	90480-14052-00	GROMMET	4	
19	90240-06055-00	PIN, CLEVIS	4	
20	90201-06067-00	WASHER, PLATE	4	
21	90468-10050-00	CLIP	4	
22	7H5-24500-01-00	FUEL COCK ASSEMBLY 1	1	E/G NO. 802225-
23	7J3-24521-00-00	. CUP, FILTER	1	
24	4X8-24565-00-00	. GASKET	1	
25	2W6-24512-00-00	. O-RING	1	
26	90149-06011-00	SCREW	2	
27	90202-05187-00	WASHER, PLATE	2	
28	90445-126A1-00	HOSE	1	

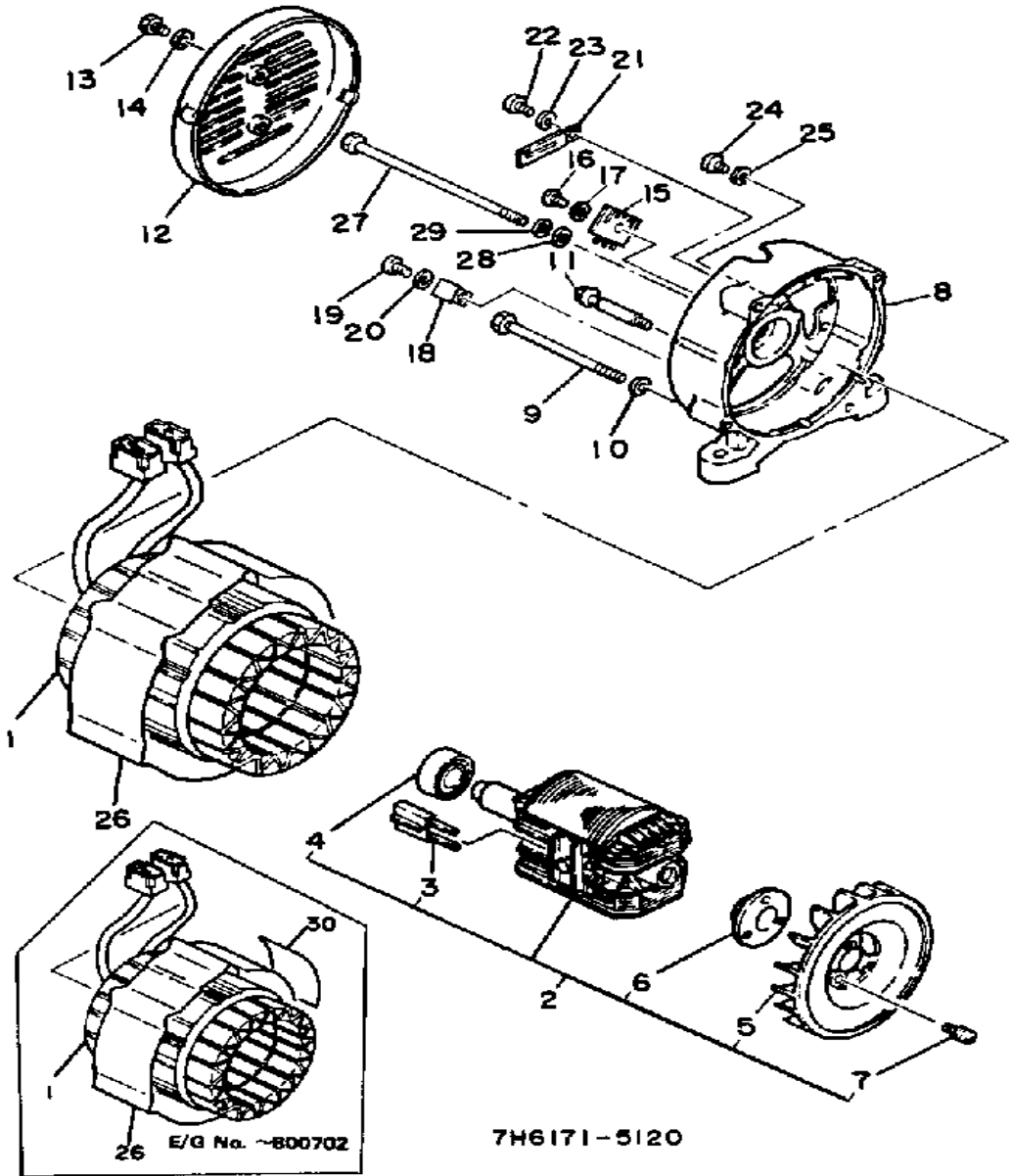
CONTINUED ON NEXT FRAME ➤

# FRAME - FUEL TANK (801501~)

Ref. No.	Part Number	Description	Qty	Remarks
29	90467-11102-00	CLIP, SCISSOR .....	2	
30	7F7-85710-02-00	FUEL LVL GAUGE ASSEMBLYASSY .....	1	
31	7H6-24161-11-00	EMBLEM 1 .....	1	
32	73T-24162-10-00	EMBLEM 2 .....	1	
33	7H6-24164-11-00	EMBLEM 4 .....	1	
34	79W-W2810-00-00	TOOL KIT .....	1	



# GENERATOR



Ref. No.	Part Number	Description	Qty	Remarks
1	7H6-87150-00-00	STATOR ASSEMBLY	1	
2	7GV-87160-00-00	. ROTOR ASSEMBLY	1	
	93306-20328-00	. BEARING	1	
	99999-01602-00	ROTOR ASSEMBLY (7H5-87160-00)	1	E/G NO. -800702
	99999-01602-00	ROTOR ASSEMBLY (7H5-87160-00)	1	E/G NO. 800703-
3	7H5-87115-00-00	. RECTIFIER ASSEMBLY	2	
4	93306-20328-00	. BEARING	1	E/G NO. 800101-
	93306-20331-00	. BEARING	1	E/G NO. -800100
5	7H5-87172-00-00	. FAN, GENERATOR	1	
6	7H5-87142-00-00	. SUPPORT, FAN	1	
7	90159-06032-00	. SCREW, WITH WASHER	3	
8	(99999-01430-00)	FRAME, REAR	1	E/G NO. -800702
	7H5-87131-00-00	. NO LONGER AVAILABLE	1	
	7H5-87131-02-00	FRAME, REAR	1	E/G NO. 800703-
	93306-20328-00	. BEARING	1	
9	(97321-06135-00)	BOLT, HEXAGON	4	
10	92901-06600-00	WASHER	4	
11	7H5-87192-00-00	SCREW, STATOR	2	
12	7H5-87174-00-86	COVER, REAR END (7H5-87174-00)	1	E/G NO. -800100
	7H5-87174-00-86	COVER, REAR END (7H5-87174-00)	1	NAIAD BLUE E/G NO. 800101-
13	97011-06010-00	BOLT	2	
14	92901-06600-00	WASHER	2	
15	7H5-87105-01-00	RECTIFIER ASSEMBLY 1	1	E/G NO. 800101-
16	98580-05016-00	SCREW, PAN HEAD	1	
17	92901-05600-00	WASHER, PLATE	1	

GENERATOR	
Phase / Poles / Magnetization	Single / 2 / Self Magnetization (Brushless)
AC Circuit Breaker Capacity	10.0A
DC Circuit Breaker Capacity	20A

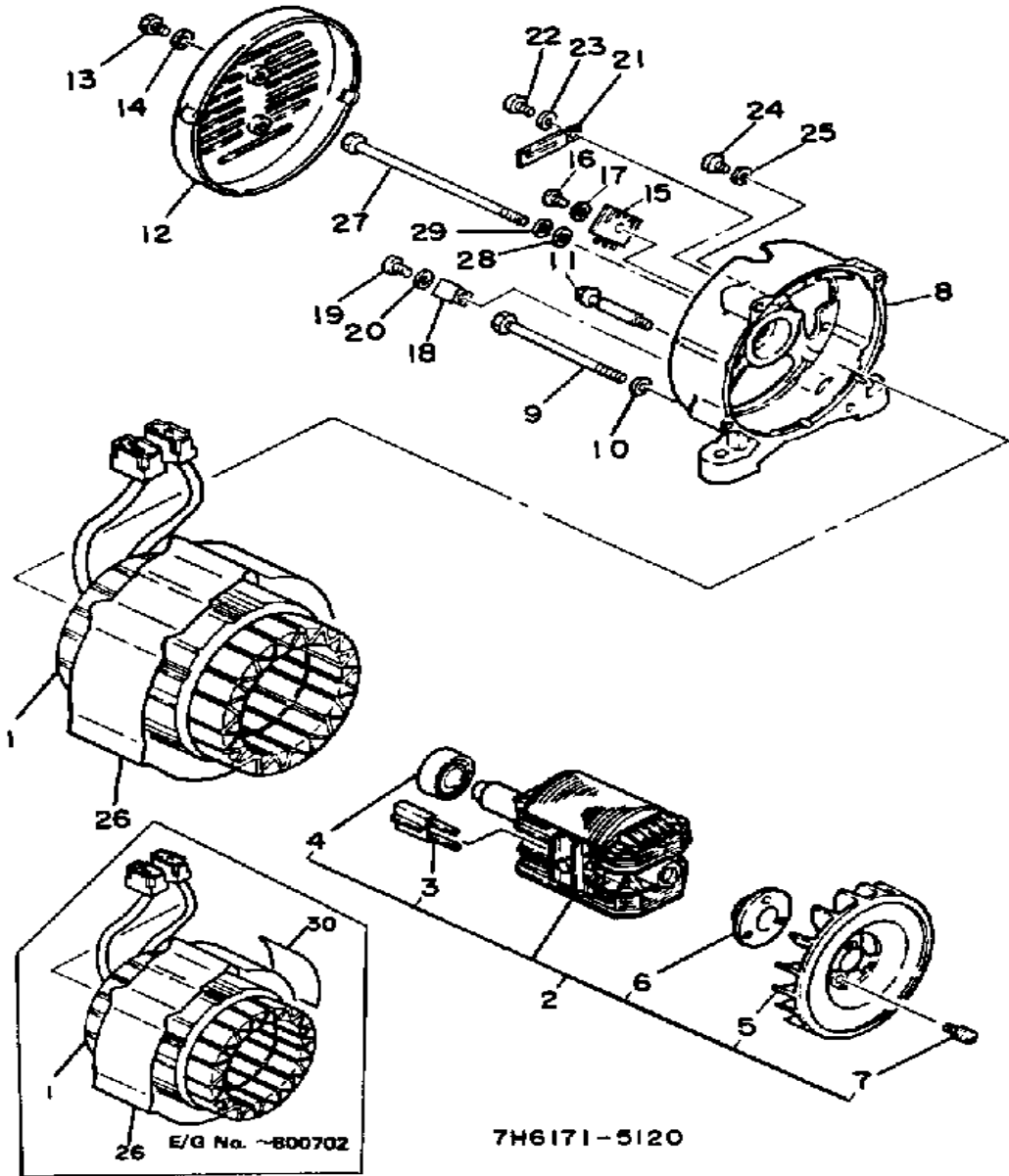
  

STATOR	
Main Coil Ω	0.69Ω ± 10%
Sub Coil Ω	2.61Ω ± 10%

CONTINUED ON NEXT FRAME ➤



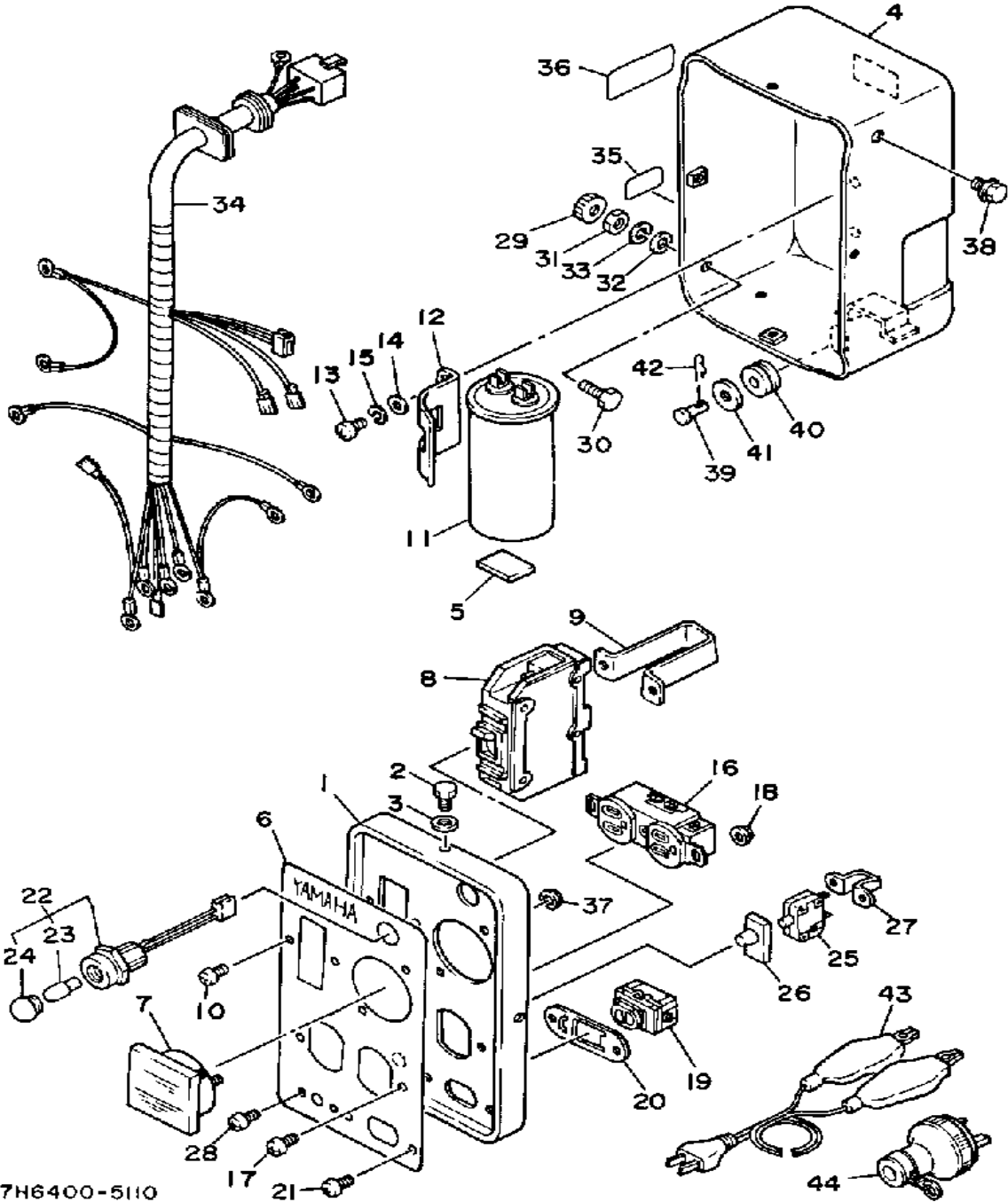
# GENERATOR



Ref. No.	Part Number	Description	Qty	Remarks
18	90465-08146-00	CLAMP	1	
19	98580-05010-00	SCREW, PAN HEAD	1	
20	92901-05600-00	WASHER, PLATE	1	
21	90462-05061-00	CLAMP	1	
22	98580-05010-00	SCREW, PAN HEAD	1	
23	92901-05600-00	WASHER, PLATE	1	
24	98580-05010-00	SCREW, PAN HEAD	1	
25	92901-05600-00	WASHER, PLATE	1	
26	77V-87153-00-00	COVER, STATOR (7H5-87153-00)	1	E/G NO. -800100
	77V-87153-00-00	COVER, STATOR (7H5-87153-00)	1	E/G NO. 800101-
27	7H5-81152-00-00	BOLT, WW	1	
28	92901-08600-00	WASHER	1	E/G NO. -800100
	92990-08600-00	WASHER, PLATE	1	E/G NO. 800101-
29	92990-08100-00	WASHER	1	
30	7H6-24163-00-00	EMBLEM 3	1	E/G NO. -800100

GENERATOR	
Phase / Poles / Magnetization	Single / 2 / Self Magnetization (Brushless)
AC Circuit Breaker Capacity	10.0A
DC Circuit Breaker Capacity	20A
STATOR	
Main Coil Ω	0.69Ω ± 10%
Sub Coil Ω	2.61Ω ± 10%

# CONTROL BOX (~802024)

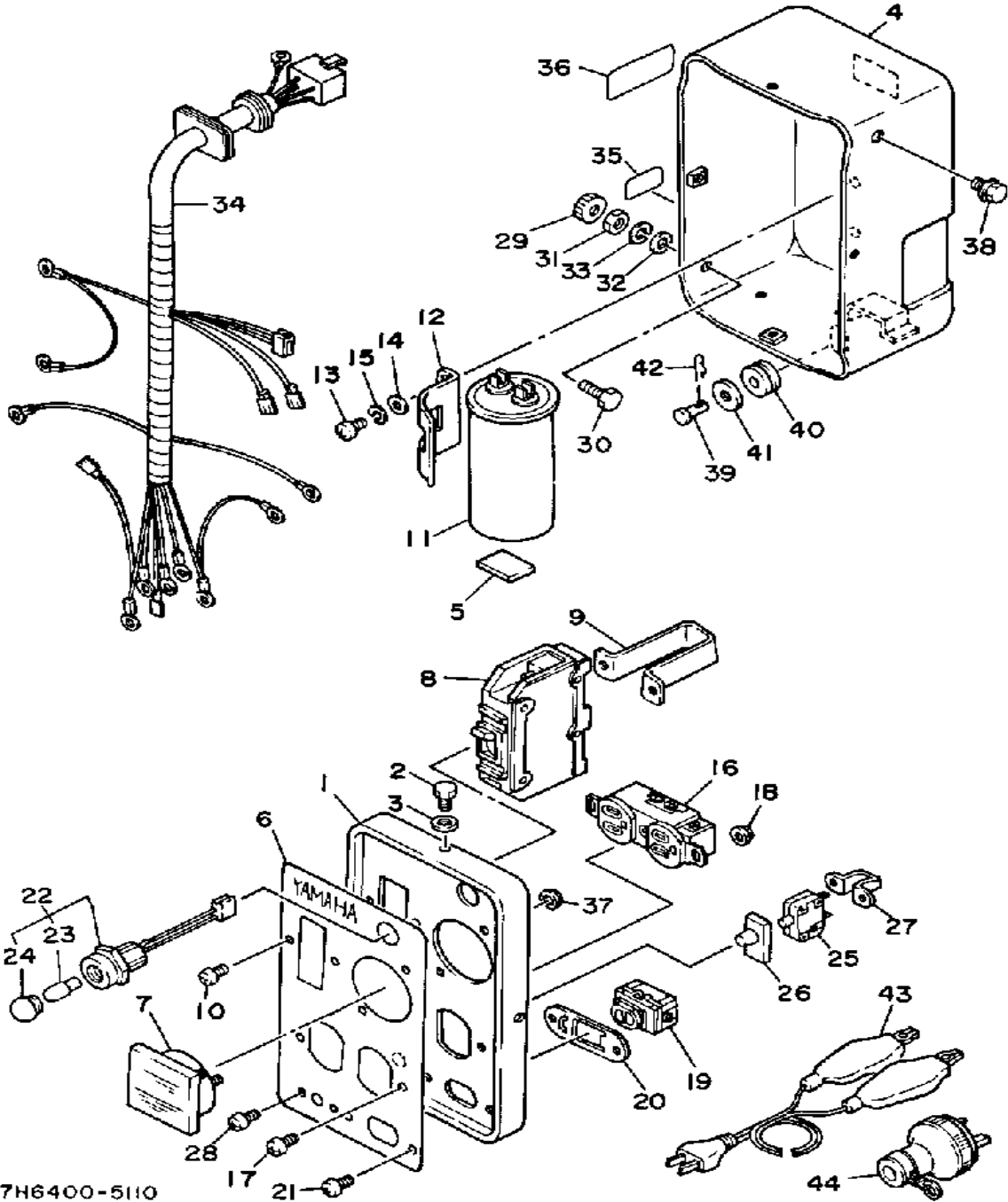


7H6400-5110

Ref. No.	Part Number	Description	Qty	Remarks
1	7H5-87211-00-00	BOX, CONTROL (7H5-87211-00)	1	
2	97313-05010-00	BOLT, HEXAGON	4	
3	92901-05600-00	WASHER, PLATE	4	
4	7H5-87213-00-86	COVER CONTROL BOX (7H5-87213-00)	1	
5	7H5-87219-00-00	DAMPER CONTROL	1	
6	7H6-87217-00-00	PLATE, CONTROL	1	
7	7G5-87202-01-00	METER SUB ASSEMBLY	1	
8	90179-03478-00	NUT, SPEC'L SHAPE 0 2	2	
9	7R2-87204-10-00	BREAKER	1	
10	7H5-87244-00-00	HOLDER, BREAKER	1	
11	98580-05008-00	SCREW, PAN HEAD (98501-05008-00)	2	
12	7H5-87107-02-00	CONDENSER ASSEMBLY	1	
13	7H5-87216-01-00	HOLDER, CONDENSER	1	
14	98580-05010-00	SCREW, PAN HEAD	2	
15	92990-05100-00	WASHER, SPRING	2	
16	92901-05600-00	WASHER, PLATE	2	
17	7N7-87221-00-00	CONSENT	1	
18	98580-04008-00	SCREW, PAN HEAD	2	
19	95701-04500-00	NUT, FLANGE	2	
20	7H5-87233-01-00	RECEPTACLE D.C.	1	
21	7H5-87235-00-00	HOLDER, RECEPTACLE	1	
22	98580-04008-00	SCREW, PAN HEAD	2	
23	7G5-87251-01-00	SOCKET, PILOT LAMP	1	
24	7G5-87254-00-00	BULB, PILOT LAMP	1	
25	7H5-82181-00-00	CIRCUIT BREAKER ASSEMBLY	1	
26	7H5-82182-00-00	COVER, CIRCUIT BREAKER	1	
27	7H5-87248-02-00	HOLDER, BREAKER 2	1	

CONTINUED ON NEXT FRAME ►

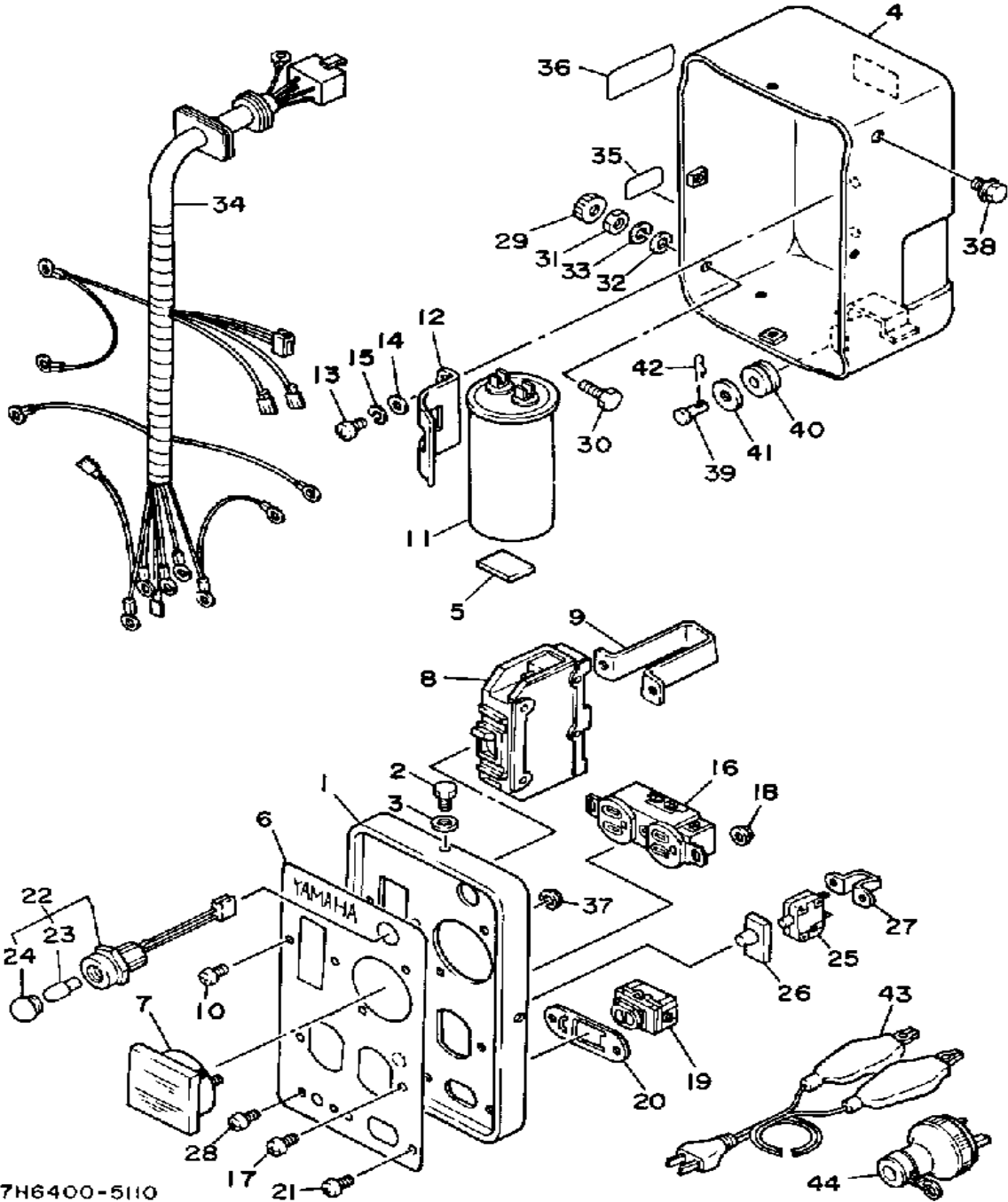
# CONTROL BOX (~802024)



Ref. No.	Part Number	Description	Qty	Remarks
28	98580-04008-00	SCREW, PAN HEAD	2	
29	90179-06300-00	NUT	1	
30	90101-06484-00	BOLT	1	
31	95380-06700-00	NUT	1	
32	92901-06600-00	WASHER	1	
33	92995-06100-00	WASHER, SPRING	1	
34	7H5-87241-00-00	HOLDER, EARTH	1	
35	7H5-87226-00-00	WIRE HARNESS	1	
36	90480-20271-00	. GROMMET	1	
37	90480-20272-00	. GROMMET	1	
38	7H6-87261-00-00	EMBLEM 1	1	
39	(7G6-87267-00-00)	EMBLEM	1	
40	796-22835-01-86	STAY, CONTROL BOX	1	NAIAD BLUE
41	98503-05025-00	SCREW, PAN HEAD (98501-05025)	2	
42	97013-06012-00	BOLT	2	
43	92901-06600-00	WASHER	2	
44	90240-06103-00	PIN, CLEVIS	1	
45	90480-14052-00	GROMMET	1	
46	90201-06067-00	WASHER, PLATE	1	
47	90468-10050-00	CLIP	1	
48	92990-05600-00	WASHER, PLATE	2	
49	7LG-87209-00-00	CHARGE CORD ASSEMBLY	1	ENCLOSED PARTS
50	7G5-87236-00-00	PLUG A C RECEPTALE	2	ENCLOSED PARTS

7H6400-5110

# CONTROL BOX (802024~)

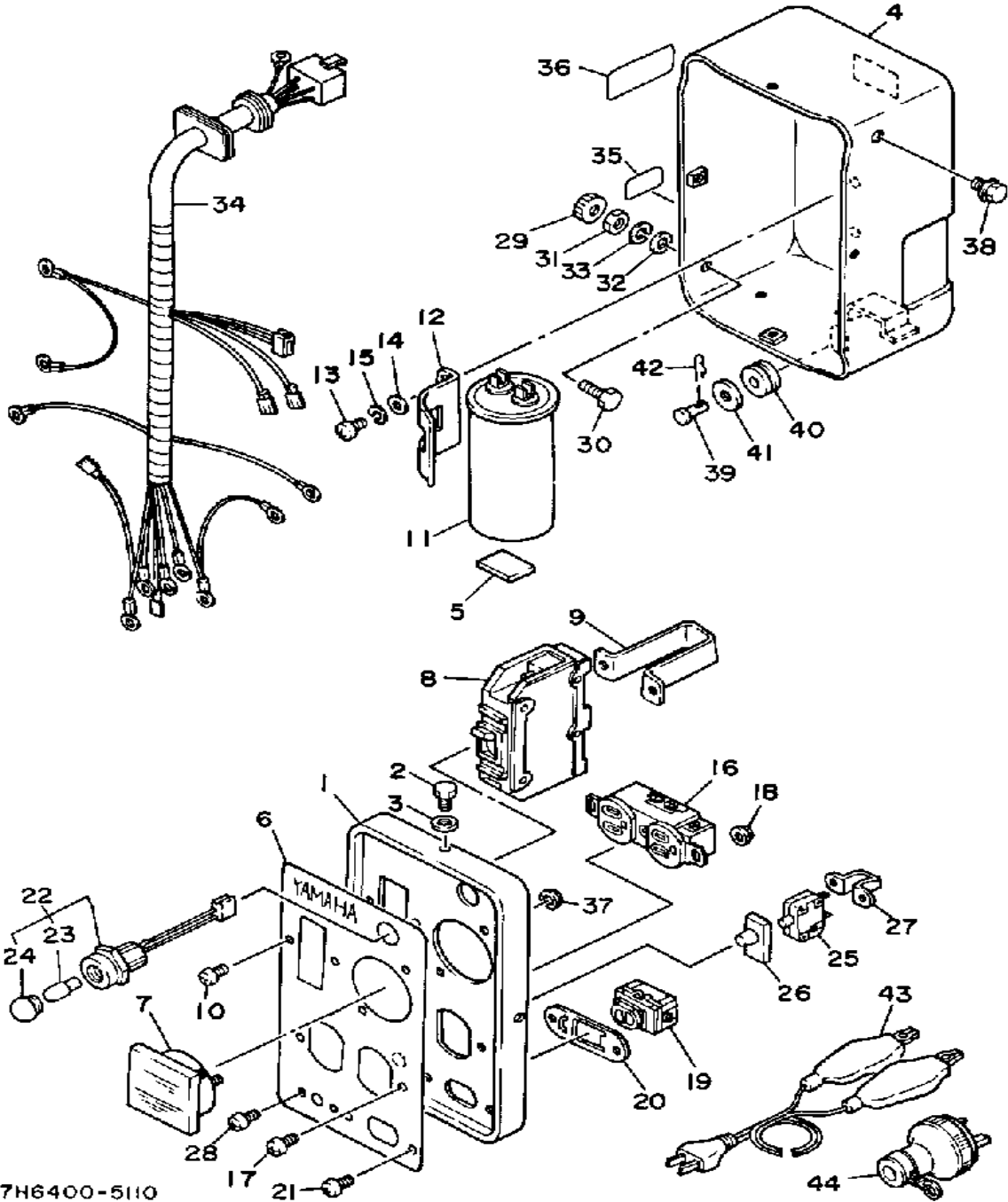


7H6400-5110

Ref. No.	Part Number	Description	Qty	Remarks
1	7H5-87211-00-00	BOX, CONTROL (7H5-87211-00)	1	NAIAD BLUE
2	97313-05010-00	BOLT, HEXAGON .....	4	
3	92901-05600-00	WASHER, PLATE .....	4	
4	7H5-87213-01-86	COVER CONTROL BOX .....	1	NAIAD BLUE E/G NO. 802025-
5	7H5-87219-00-00	DAMPER CONTROL .....	1	
6	7H6-87217-00-00	PLATE, CONTROL .....	1	
7	7G5-87202-01-00	METER SUB ASSEMBLY .....	1	
8	7R2-87204-10-00	BREAKER .....	1	10.0A KM-1G
9	7H5-87244-00-00	HOLDER, BREAKER .....	1	
10	98580-05008-00	SCREW, PAN HEAD (98501-05008-00) .....	2	
11	7H5-87107-02-00	CONDENSER ASSEMBLY .....	1	
12	7H5-87216-01-00	HOLDER, CONDENSER .....	1	E/G NO 802025-
13	98580-05010-00	SCREW, PAN HEAD .....	2	
14	92901-05600-00	WASHER, PLATE .....	2	
15	92990-05100-00	WASHER, SPRING .....	2	
16	7N7-87221-00-00	CONSENT .....	1	MATSUSHITA WCZ1303-8N
17	98580-04008-00	SCREW, PAN HEAD .....	2	
18	95701-04500-00	NUT, FLANGE .....	2	
19	7H5-87233-01-00	RECEPTACLE D.C. ....	1	
20	7H5-87235-00-00	HOLDER, RECEPTACLE .....	1	
21	98580-04008-00	SCREW, PAN HEAD .....	2	
22	78G-87251-00-00	SOCKET, PILOT LAMP .....	1	
23	7G5-87254-00-00	. BULB, PILOT LAMP .....	1	
24	7G5-87252-00-00	. . LENS, PILOT LIGHT .....	1	
25	7G5-82181-00-00	CIRCUIT BREAKER COMP. ...	1	
26	7H5-82182-00-00	COVER, CIRCUIT BREAKER ..	1	
27	7H5-87248-02-00	HOLDER, BREAKER 2 .....	1	

CONTINUED ON NEXT FRAME ►

# CONTROL BOX (802024~)



Ref. No.	Part Number	Description	Qty	Remarks
28	98580-04008-00	SCREW, PAN HEAD	2	
29	90179-06300-00	NUT	1	
30	90101-06484-00	BOLT	1	
31	95380-06700-00	NUT	1	
32	92990-06600-00	WASHER, PLATE	1	
33	92995-06100-00	WASHER, SPRING	1	
34	7H5-87226-01-00	WIRE HARNESS	1	E/G NO. 801801-
35	73A-87261-00-00	EMBLEM 1	1	
36	(7G6-87267-00-00)	EMBLEM	1	
37	90179-03478-00	NUT, SPEC'L SHAPE 0 2	2	
38	95811-06012-00	BOLT, FLANGE	2	
39	90240-06103-00	PIN, CLEVIS	1	
40	90480-14052-00	GROMMET	1	
41	90201-06067-00	WASHER, PLATE	1	
42	90468-10050-00	CLIP	1	
43	7LG-87209-00-00	CHARGE CORD ASSEMBLY	1	
44	7G5-87236-00-00	PLUG A C RECEPTALE	2	