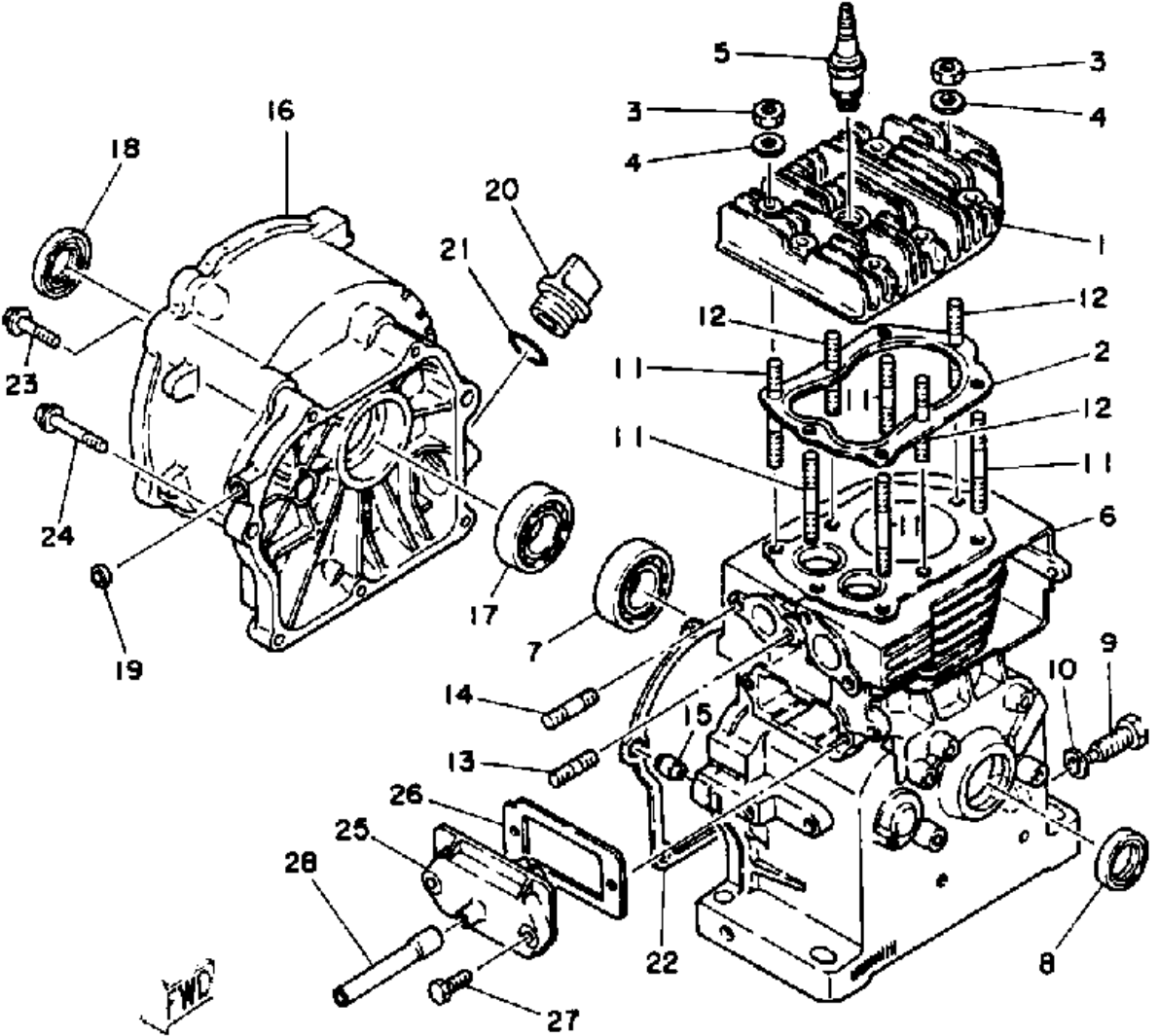




**YAMAHA**

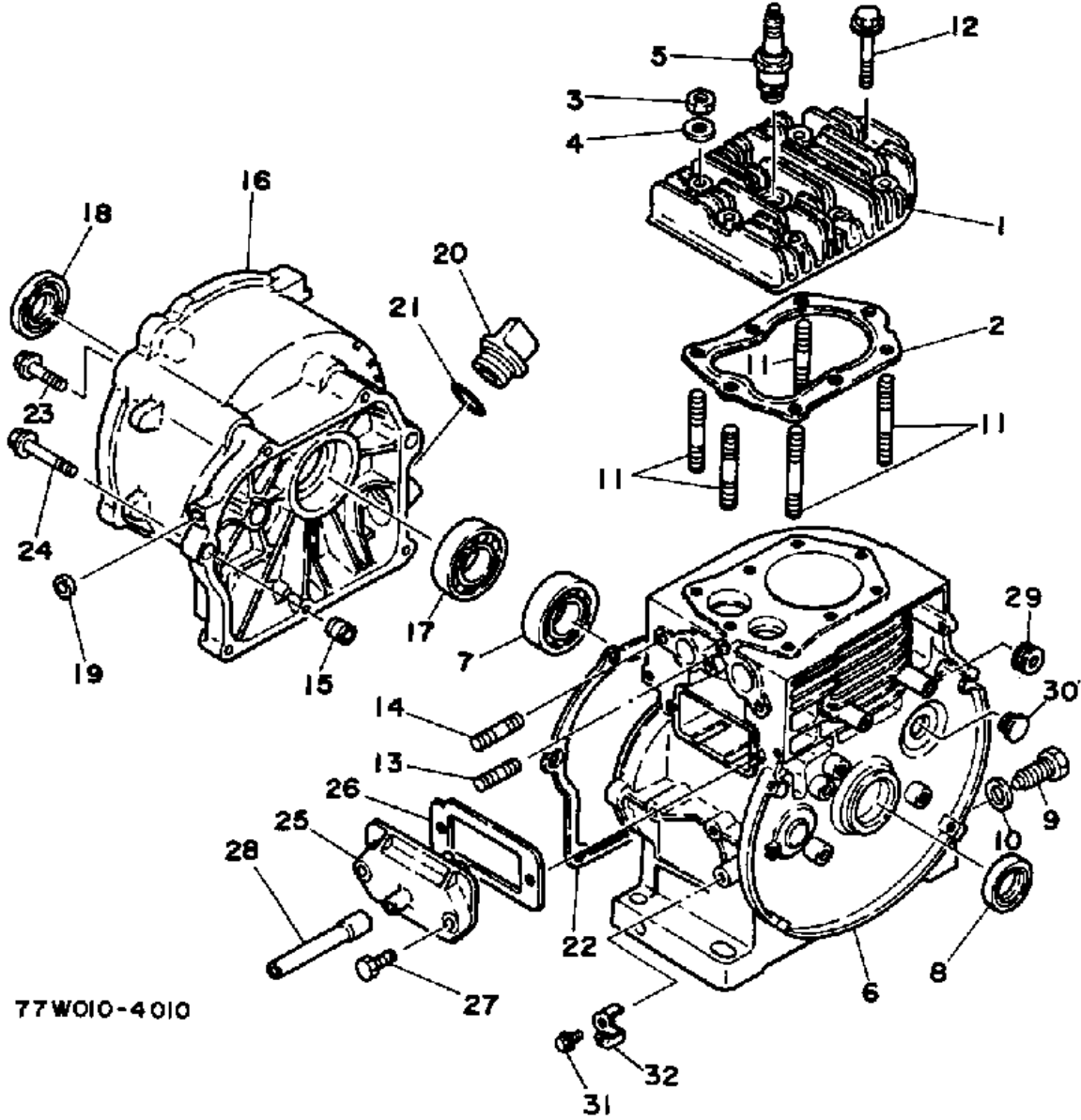
**GENUINE  
PARTS CATALOGUE  
OUTDOOR POWER EQUIPMENT**

# CRANKCASE-CYLINDER (~800100)



Ref. No.	Part Number	Description	Qty	Remarks
1	(796-11111-01-00)	HEAD, CYLINDER 1 .....	1	
2	7N7-11181-00-00	GASKET, CYLINDER HEAD 1 .	1	
3	95333-08600-00	NUT .....	8	
4	90201-08638-00	WASHER, PLATE .....	8	
5	NGK-BP6HS-00-00	NGK BP6HS 4PK (94701-00108) (M5) .....	1	
6	99999-01411-00	CRANKCASE 1 .....	1	
7	93306-205U0-00	BEARING .....	1	
8	93102-25064-00	OIL SEAL .....	1	
9	97001-12020-00	BOLT .....	1	
10	812-11198-00-00	GASKET .....	1	
11	90116-08252-00	BOLT, STUD .....	5	
12	(90116-08246-00)	BOLT, STUD .....	3	
13	90116-08335-00	BOLT, STUD .....	2	
14	90116-06298-00	BOLT, STUD .....	2	
15	99530-10014-00	PIN, DOWEL .....	2	
16	7H9-15411-00-00	COVER, CRANKCASE L .....	1	
17	93306-205U0-00	BEARING .....	1	
18	93102-25090-00	OIL SEAL .....	1	
19	93104-05057-00	OIL SEAL, SO-TYPE .....	1	
20	796-15363-01-00	PLUG, OIL .....	1	
21	93210-22344-00	O-RING .....	1	
22	796-15451-10-00	GASKET, CRCS CVRCOVER 1	1	
23	90109-06515-00	BOLT .....	3	
24	90109-06517-00	BOLT .....	4	
25	7H9-11168-01-00	COVER, BREATHER .....	1	
26	7H9-11169-00-00	GASKET, BRTHR COVER .....	1	
27	97011-06025-00	BOLT (97001-06025) .....	2	
28	7N7-15373-00-00	PIPE, BREATHER .....	1	

# CRANKCASE - CYLINDER (800101~)

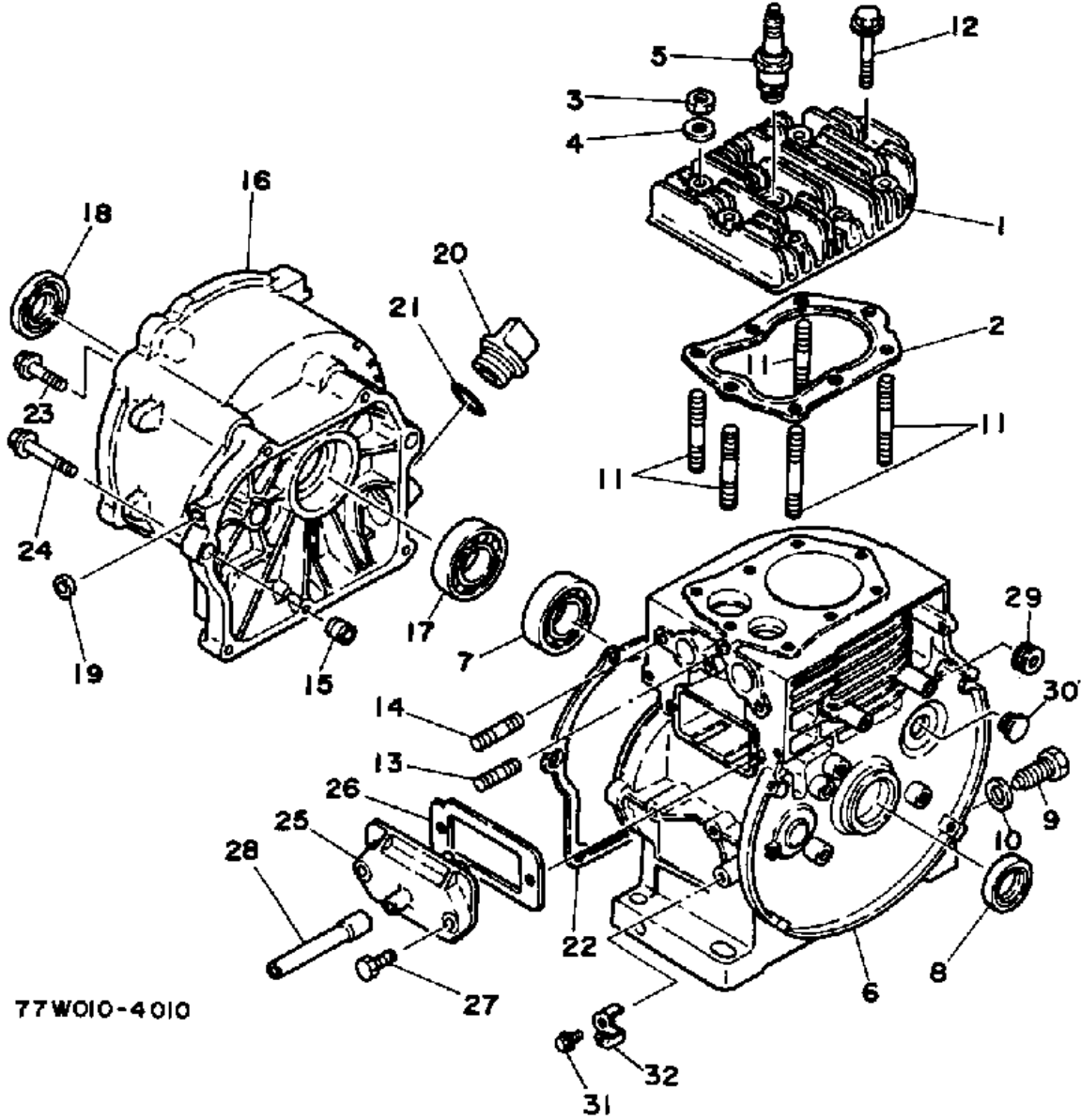


77W010-4010

Ref. No.	Part Number	Description	Qty	Remarks
1	ø79-61111-10-10	UNAVAILABLE IN PRICE BOOK	1	
2	7N7-11181-00-00	GASKET, CYLINDER HEAD 1	1	
3	95333-08600-00	NUT	5	
4	90201-08638-00	WASHER, PLATE	5	
5	NGK-BPR6H-S0-00	PLUG, SPARK (NGK BP6HS)	1	
6	77W-15111-09-00	CRANKCASE 1 (77W-15111-10)	1	E/G NO. 800701~
7	93306-205U0-00	BEARING	1	
8	93102-25064-00	OIL SEAL	1	
9	97001-12020-00	BOLT	1	
10	812-11198-00-00	GASKET	1	
11	90116-08252-00	BOLT, STUD	5	
12	95811-08045-00	BOLT, FLANGE (JN5)	3	
13	90116-08335-00	BOLT, STUD	2	
14	90116-06298-00	BOLT, STUD	2	
15	99530-10014-00	PIN, DOWEL	2	
16	7H9-15411-00-00	COVER, CRANKCASE L	1	
17	93306-20529-00	BEARING (B6205C4)	1	
18	93102-25090-00	OIL SEAL	1	
19	93104-05057-00	OIL SEAL, SO-TYPE	1	
20	796-15363-01-00	PLUG, OIL	1	
21	93210-22344-00	O-RING	1	
22	796-15451-10-00	GASKET, CRCS CVRCOVER 1	1	
23	90109-06515-00	BOLT	3	
24	90109-06517-00	BOLT	4	
25	7H9-11168-01-00	COVER, BREATHER	1	
26	7H9-11169-00-00	GASKET, BRTHR COVER	1	
27	97011-06025-00	BOLT (97001-06025)	2	
28	7N7-15373-00-00	PIPE, BREATHER	1	
29	90480-15058-00	GROMMET	1	

CONTINUED ON NEXT FRAME ➤

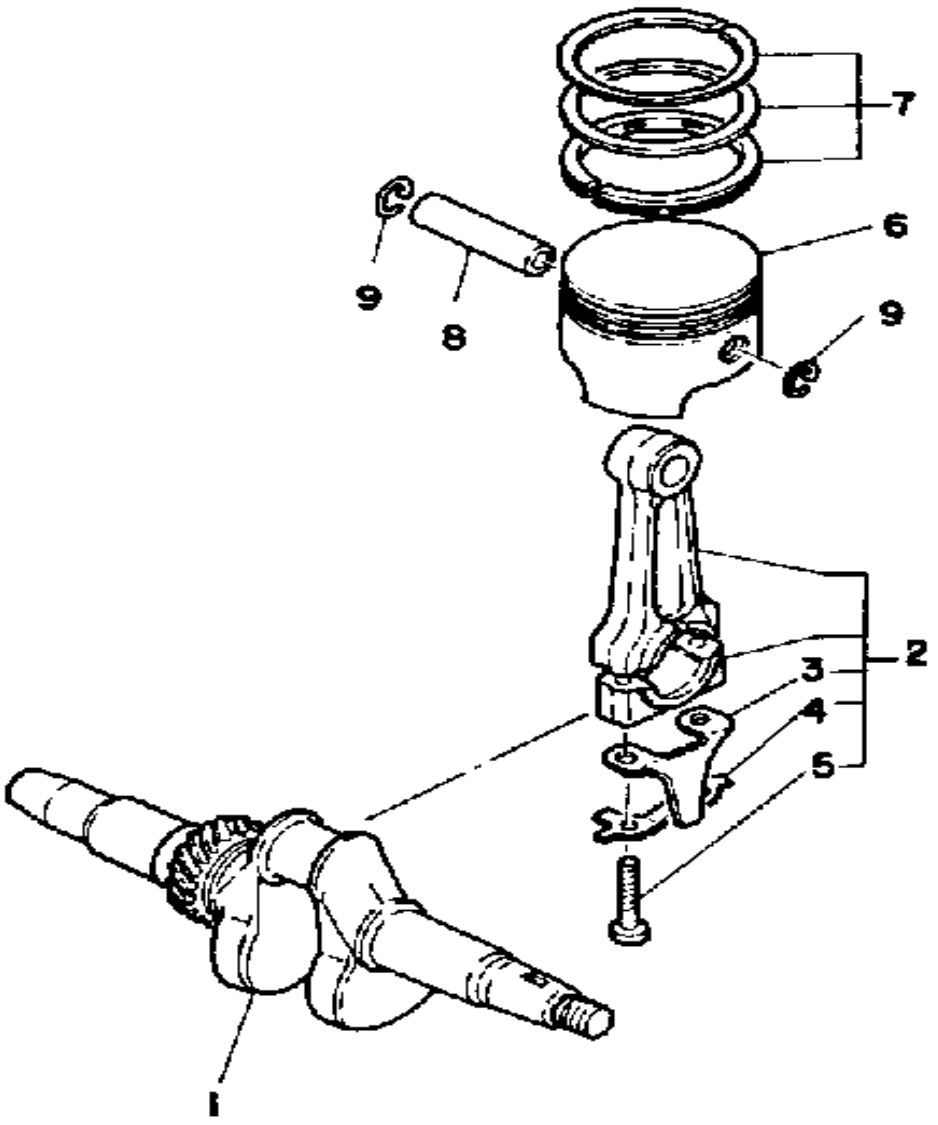
# CRANKCASE - CYLINDER (800101~)



77W010-4010

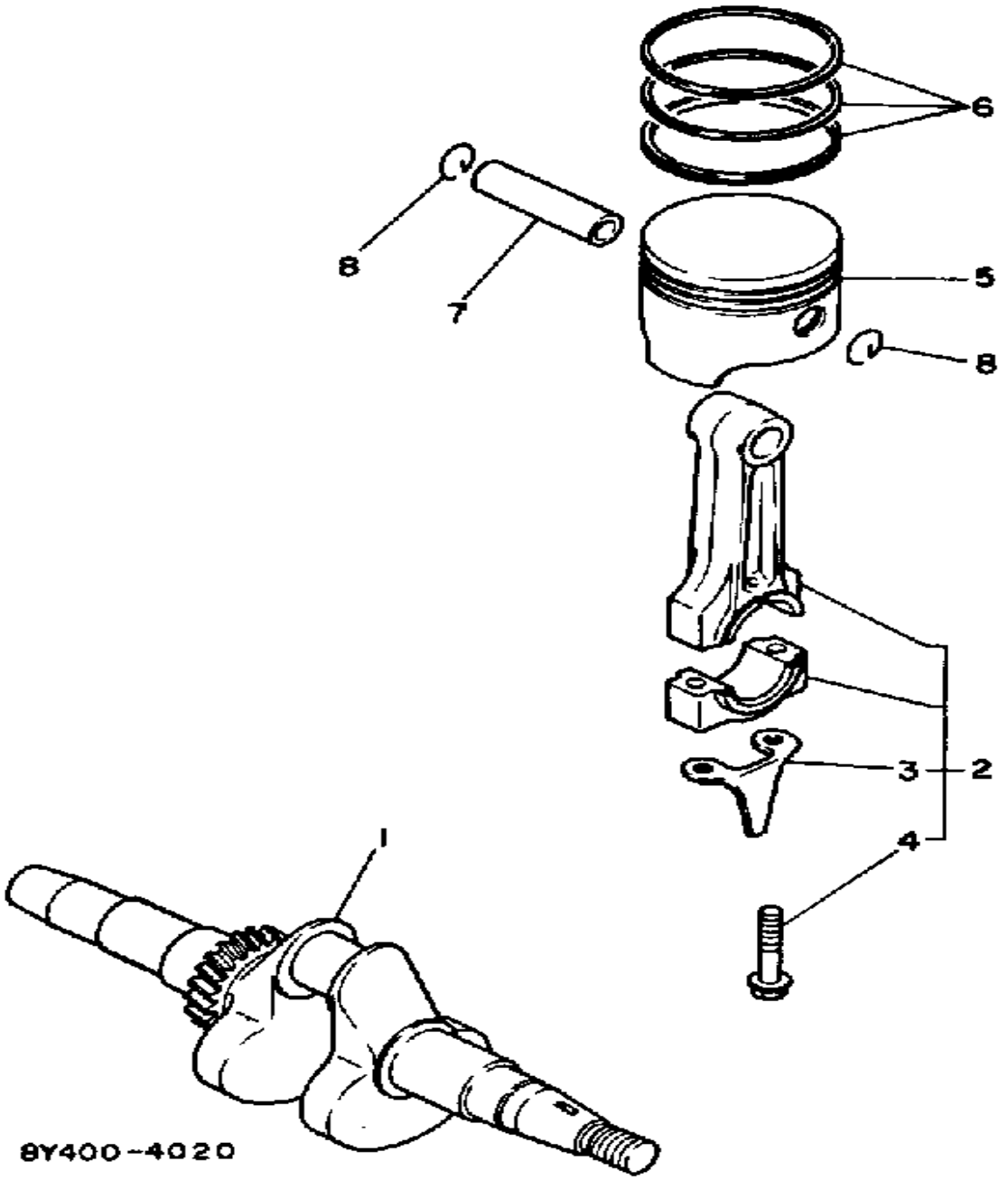
Ref. No.	Part Number	Description	Qty	Remarks
30	(90480-17218-00)	GROMMET .....	1	
31	90109-06513-00	BOLT .....	1	
32	796-11951-10-00	PLATE .....	1	

# CRANKSHAFT - PISTON (~800100)



Ref. No.	Part Number	Description	Qty	Remarks
1	796-11400-02-00	CRANKSHAFT ASSEMBLY ...	1	
2	7H9-11650-00-00	CONNECTING ROD ASSEMBLY	1	UR
	7H9-11665-00-00	CON ROD ASSEMBLY 3 (1ST U/S)	1	UR
	7H9-11666-00-00	CON ROD ASSEMBLY 4 (2ND U/S)	1	UR
3	796-11657-01-00	. SPLASHER, OIL	1	
4	7H9-11449-00-00	. WASHER, LOCK	1	
5	796-11654-03-00	. BOLT, CON ROD	2	
6	796-11631-03-93	PISTON STD	1	UR
	796-11635-03-00	PISTON 1 O/S 0.25 (0.25MM O/S)	1	AP
	796-11636-03-00	PISTON 2 O/S 0.50 (0.50MM O/S)	1	AP
7	796-11610-03-00	PISTON RINGSET STD	1	
	796-11610-13-00	PISTON RINGSET 1ST (1ST O/S)	1	AP
	796-11610-23-00	PISTON RINGSET 2ND (2ND O/S)	1	AP
8	796-11633-00-00	PIN, PISTON	1	
9	93450-15023-00	CIRCLIP	2	

# CRANKSHAFT - PISTON (800101~)

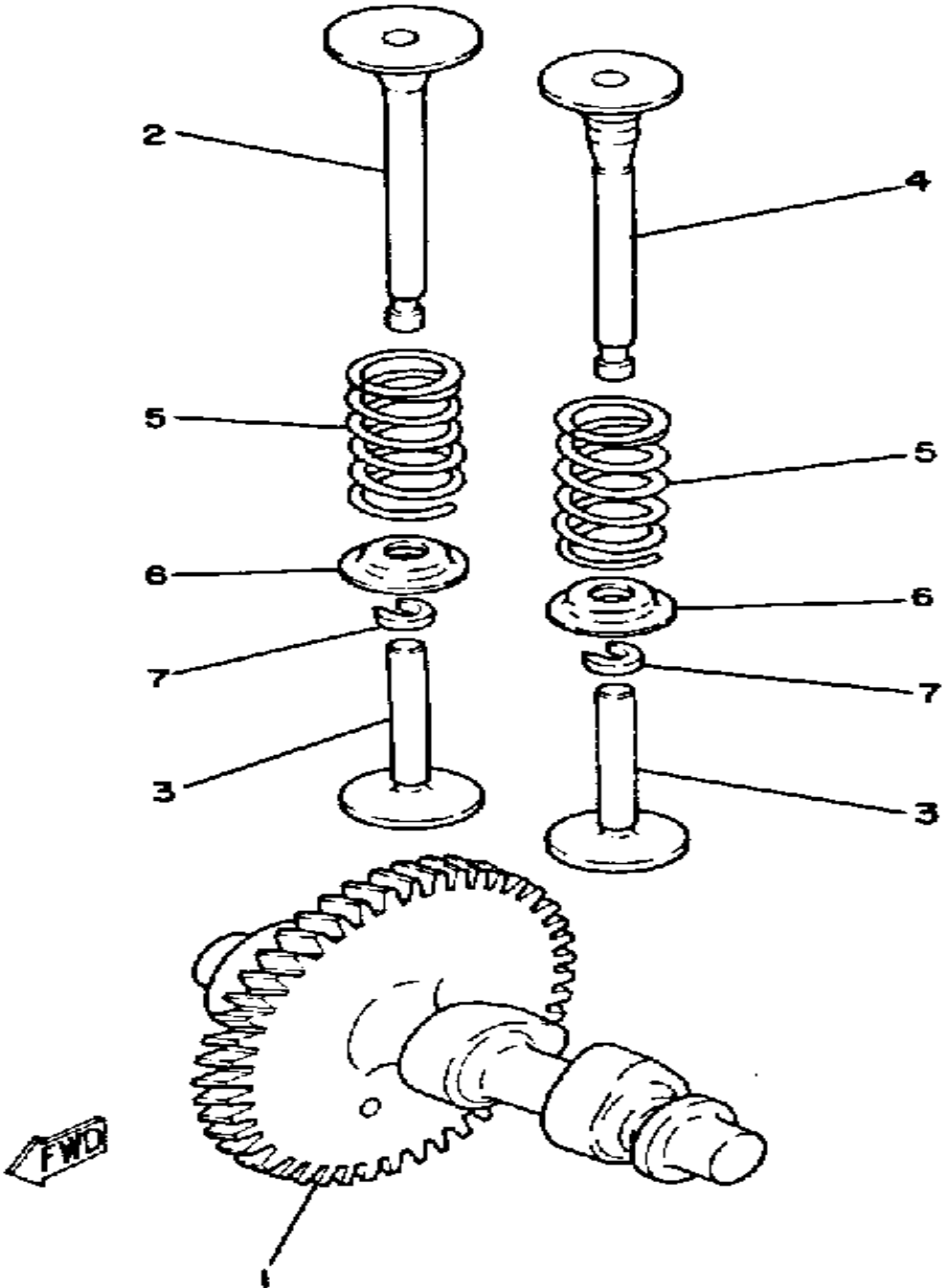


Ref. No.	Part Number	Description	Qty	Remarks
1	796-11400-02-00	CRANKSHAFT ASSEMBLY ...	1	
2	7H9-11650-00-00	CONNECTING ROD ASSEMBLYASSY .....	1	
3	796-11657-01-00	. SPLASHER, OIL .....	1	
4	796-11654-03-00	. BOLT, CON ROD .....	2	
5	796-11631-03-93	PISTON STD .....	1	
	796-11635-03-00	PISTON 1 O/S 0.25 (0.25MM O/S) .....	1	AP
	796-11636-03-00	PISTON 2 O/S 0.50 (0.50MM O/S) .....	1	AP
6	796-11610-03-00	PISTON RINGSET STD .....	1	
	796-11610-13-00	PISTON RINGSET 1ST (1ST O/S) .....	1	AP
	796-11610-23-00	PISTON RINGSET 2ND (2ND O/S) .....	1	AP
7	796-11633-00-00	PIN, PISTON .....	1	
8	93450-15023-00	CIRCLIP .....	2	

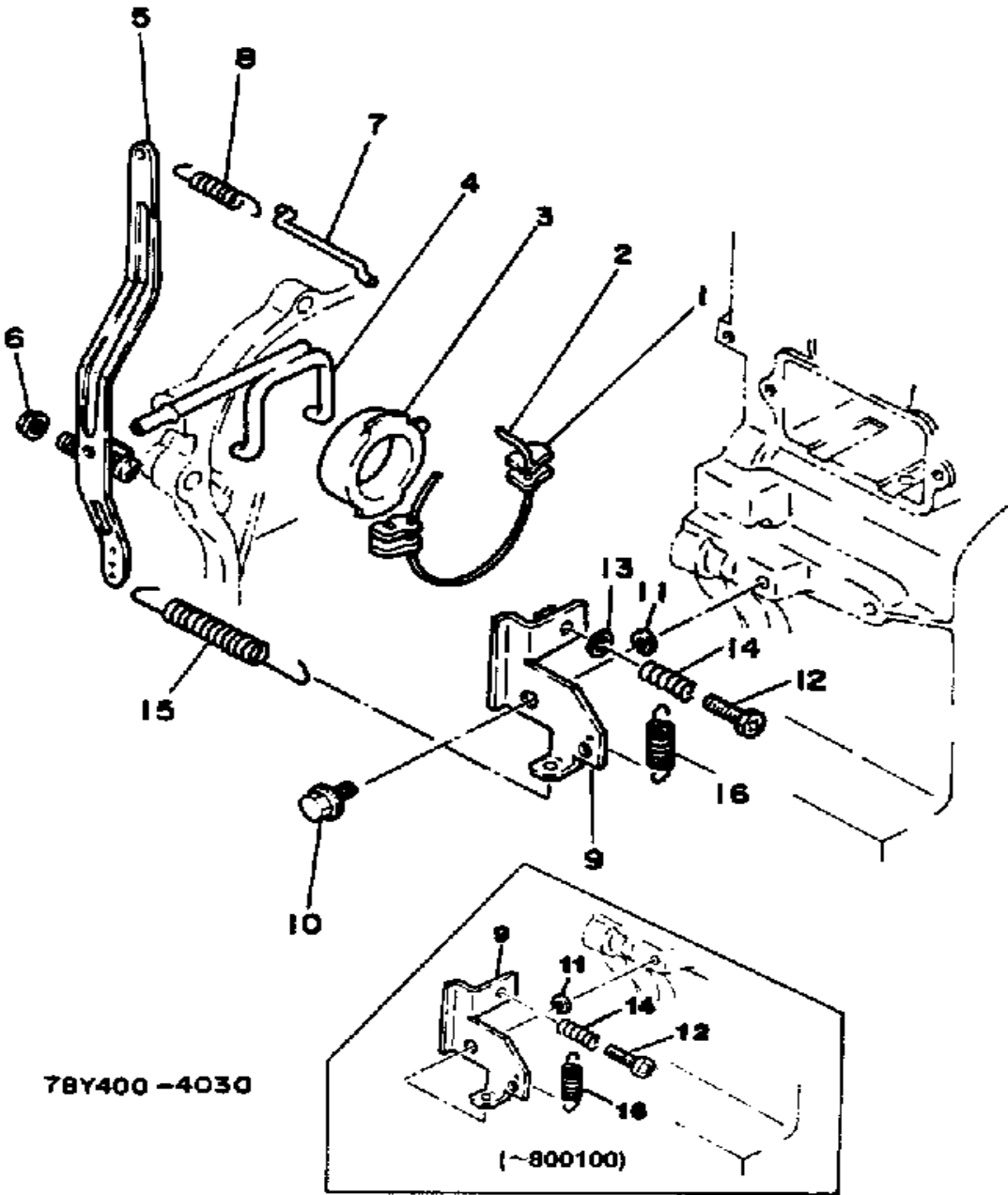
8Y400-4020

# CAMSHAFT - VALVE

Ref. No.	Part Number	Description	Qty	Remarks
1	7GY-12171-01-00	UNAVAILABLE IN PRICE BOOK (796-12171-01) .....	1	
2	7H9-12111-21-00	VALVE, INTAKE (7H9-12111-20)	1	
3	796-12153-01-00	LIFTER, VALVE .....	2	
	796-12153-02-00	LIFTER, VALVE .....	2	
4	7H9-12121-21-00	VALVE, EXHAUST (7H9-12121-20) .....	1	
5	90501-23547-00	SPRING, COMPRESSION .....	2	
6	796-12117-02-00	RETAINER, VALVE SPRING	2	
7	796-12118-00-00	COTTER, VALVERETAINER ...	2	



# GOVERNOR



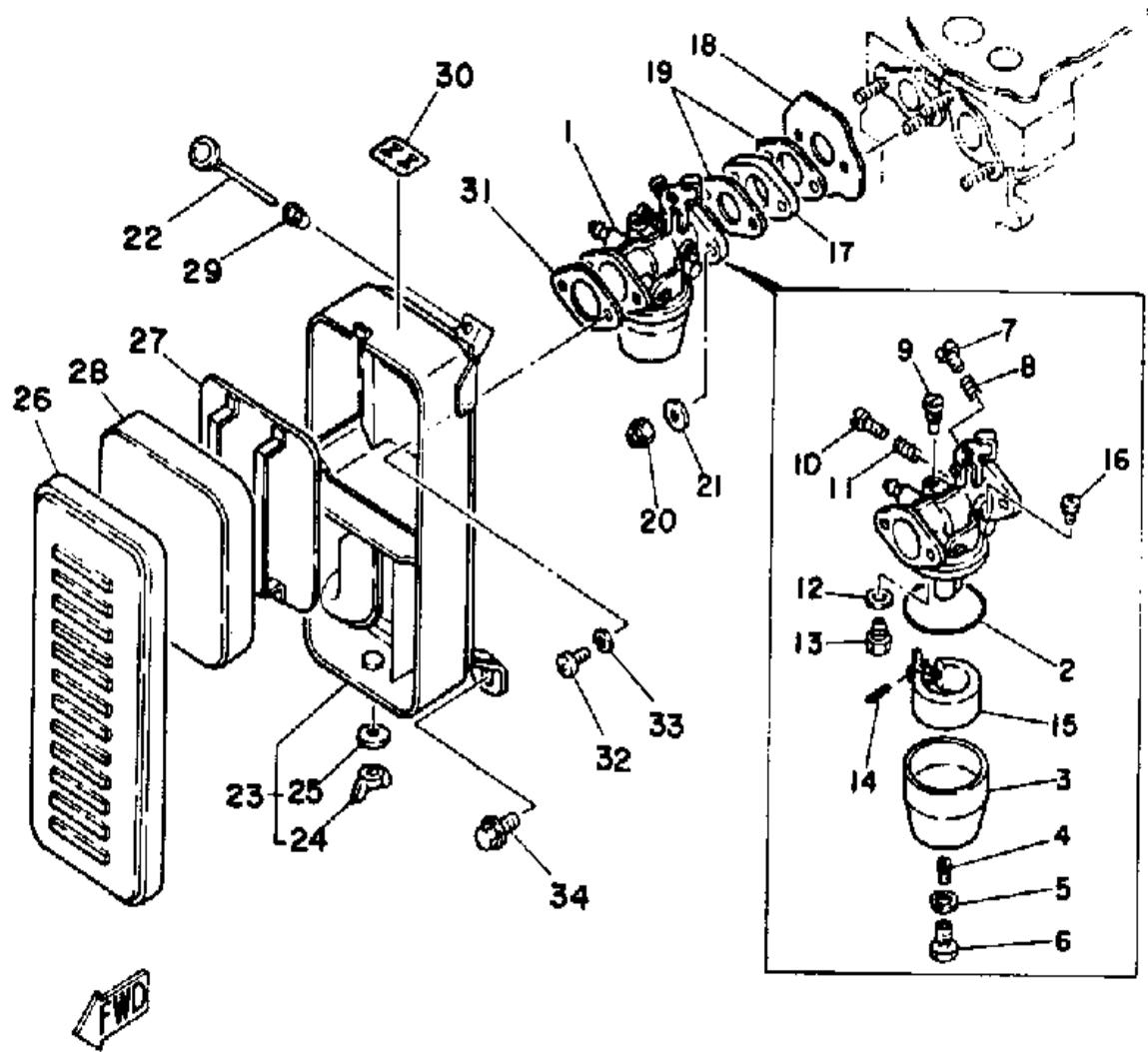
Ref. No.	Part Number	Description	Qty	Remarks
1	796-11913-00-00	WEIGHT .....	1	
2	796-12273-00-00	HOLDER, WEIGHT .....	1	
3	796-11917-01-00	COLLAR (796-11917-00) .....	1	
4	7H4-11922-01-00	FORK, GOVERNOR (7H4-11922-00) .....	1	
5	796-11924-02-00	ARM, GOVERNOR .....	1	
6	95701-06500-00	NUT, FLANGE .....	1	
7	796-11928-01-00	ROD, LINK .....	1	
8	90506-05141-00	SPRING, TENSION .....	1	
9	796-11915-03-00	PLATE, THRUST 1 .....	1	
10	90149-06148-00	SCREW, SPEC'L SHAPE .....	1	
11	90201-065F3-00	WASHER, PLATE .....	1	
12	90157-06030-00	SCREW, PAN HEAD .....	1	
13	90201-06050-00	WASHER, PLATE .....	1	
14	90501-12473-00	SPRING, COMPRESSION .....	1	
15	90506-12239-00	SPRING, TENSION .....	1	
16	90506-12176-00	SPRING, TENSION .....	1	

78Y400-4030

(~800100)



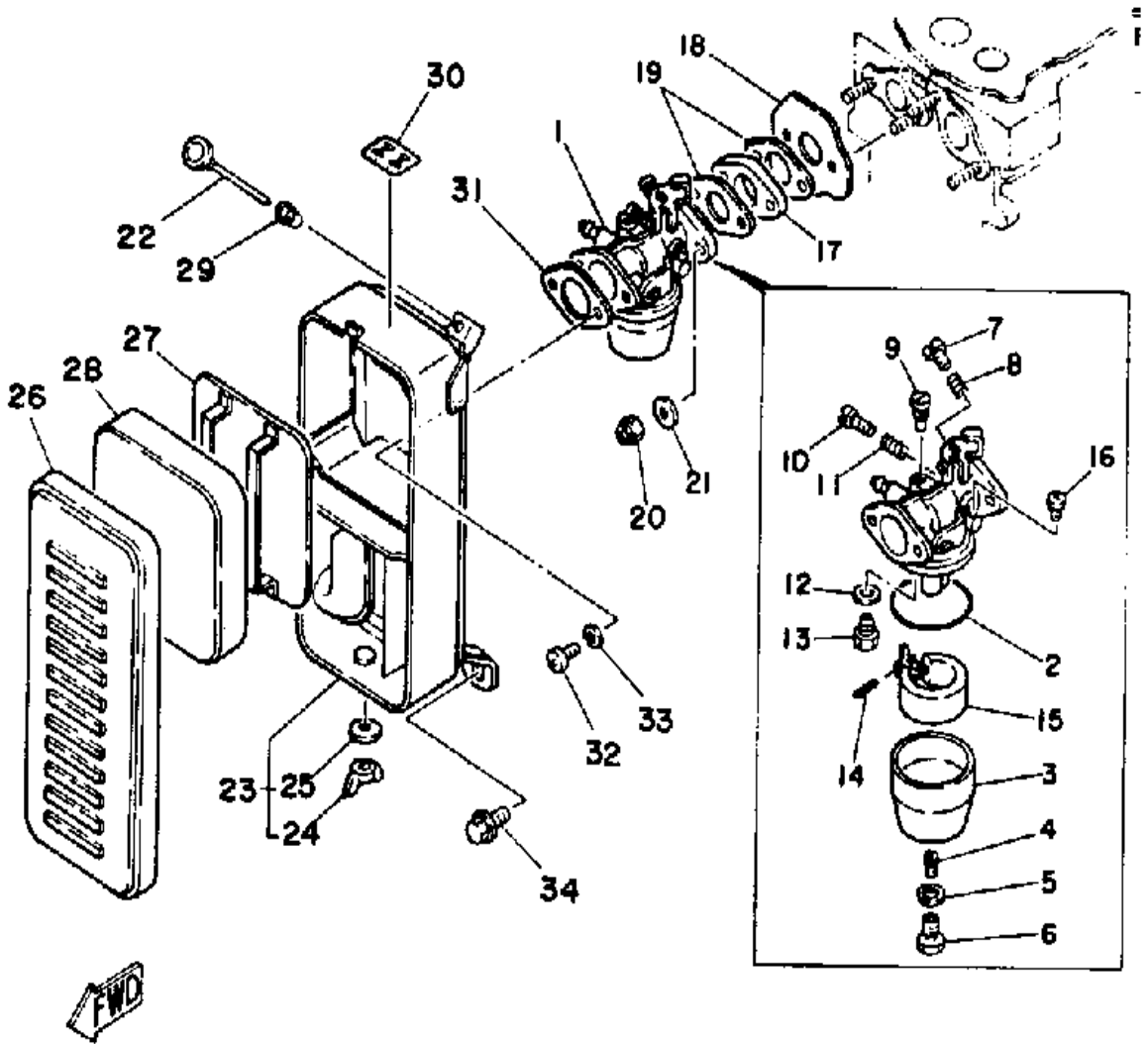
# AIR CLEANER - CARBURETOR (~800100)



Ref. No.	Part Number	Description	Qty	Remarks
1	7H9-14501-01-00	CARBURETOR ASSEMBLY . . .	1	
2	796-14184-00-00	. GASKET, FLOAT CHAMBER .	1	
3	796-14181-00-00	. BODY, FLOAT CHMBR 1 . . . .	1	
4	3G2-14231-18-00	. JET, MAIN (# 90) . . . . .	1	
5	732-14237-00-00	. GASKET . . . . .	1	
6	796-14261-00-00	. HOLDER . . . . .	1	
7	732-14211-00-00	. SCREW, PILOT ADJADJUSTING . . . . .	1	
8	620-14212-00-00	. SPRING, PILOT ADJUSTING .	1	
9	620-14142-50-00	. JET, PILOT # 0 . . . . .	1	
10	7H9-14216-01-00	. SCREW . . . . .	1	
11	620-14133-00-00	. SPRING, THRTL STOP (#37.5)	1	
12	214-14195-00-00	. WASHER, NEEDLE VALVE . .	1	
13	168-14190-20-00	. NEEDLE VALVE ASSEMBLYASSY . . . . .	1	
14	796-14186-00-00	. PIN, FLOAT . . . . .	1	
15	796-14185-00-00	. FLOAT . . . . .	1	
16	98580-04008-00	. SCREW, PAN HEAD . . . . .	1	
17	76G-13555-00-00	MANIFOLD, INTAKE . . . . .	1	
18	7H5-13556-00-00	GASKET, MANIFOLD . . . . .	1	
19	796-13557-00-00	GASKET . . . . .	2	
20	95601-06100-00	NUT, U . . . . .	2	
21	90201-06643-00	WASHER, PLATE . . . . .	2	
22	796-14583-00-00	LEVER, CHOKE . . . . .	1	
23	796-14411-04-35	CASE, AIR CLEANER 1 . . . . .	1	CRYSTAL SLV
24	90175-06008-00	. NUT, WING . . . . .	1	
25	90201-065F3-00	. WASHER, PLATE . . . . .	1	
26	796-14412-11-00	. CAP, CLEANER CASE 1 . . . .	1	CHROM PLATED
27	796-14468-00-00	PLATE, ELEMENT FTNG . . . . .	1	

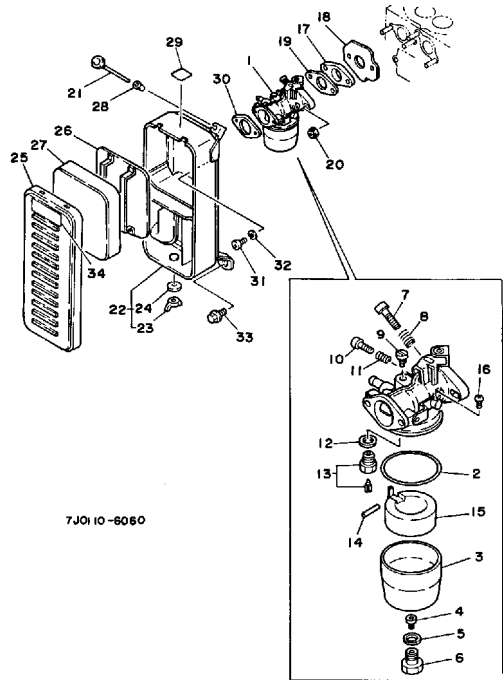
CONTINUED ON NEXT FRAME ►

# AIR CLEANER - CARBURETOR (~800100)



Ref. No.	Part Number	Description	Qty	Remarks
28	796-14451-01-00	ELEMENT, AIR CLNR	1	
29	796-14445-00-00	GROMMET	1	
30	(799-24155-01-00)	INDICATOR, CHOKE	1	
31	796-14416-00-00	GASKET, AIR CLEANER	1	
32	98580-06010-00	SCREW, PAN HEAD (92503-06010)	2	
33	92995-06100-00	WASHER, SPRING	2	
34	90109-08519-00	BOLT	1	

# AIR CLEANER - CARBURETOR (800101-

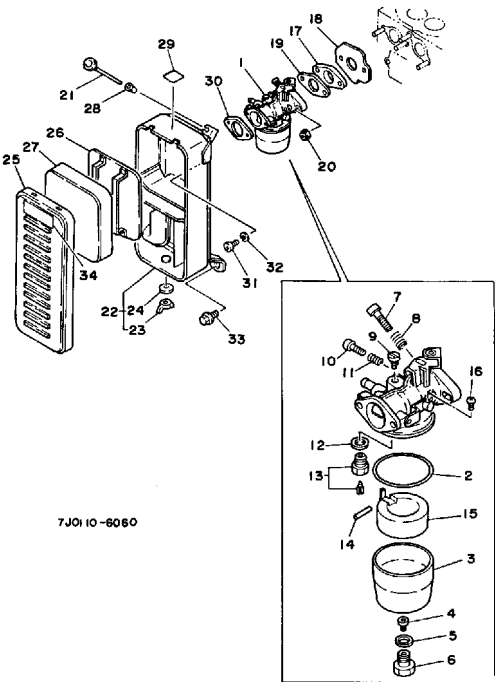


7J0110-8060

Ref. No.	Part Number	Description	Qty	Remarks
1	7H9-14501-01-00	CARBURETOR ASSEMBLY . . .	1	E/G NO. 800491~
2	796-14184-00-00	. GASKET, FLOAT CHAMBER .	1	
3	796-14181-00-00	. BODY, FLOAT CHMBR 1 . . . .	1	
4	3G2-14231-18-00	. JET, MAIN (# 90) . . . . .	1	
5	732-14237-00-00	. GASKET . . . . .	1	
6	796-14261-00-00	. HOLDER . . . . .	1	
7	732-14211-00-00	. SCREW, PILOT ADJADJUSTING . . . . .	1	
8	620-14212-00-00	. SPRING, PILOT ADJUSTING .	1	
9	620-14142-50-00	. JET, PILOT # 0 . . . . .	1	
10	7H9-14216-01-00	. SCREW . . . . .	1	
11	620-14133-00-00	. SPRING, THRTL STOP (#37.5)	1	
12	214-14195-00-00	. WASHER, NEEDLE VALVE . .	1	
13	168-14190-20-00	. NEEDLE VALVE ASSEMBLYASSY . . . . .	1	
14	796-14186-00-00	. PIN, FLOAT . . . . .	1	
15	796-14185-00-00	. FLOAT . . . . .	1	
16	98580-04008-00	. SCREW, PAN HEAD . . . . .	1	
17	76G-13555-00-00	MANIFOLD, INTAKE . . . . .	1	
18	7H5-13556-00-00	GASKET, MANIFOLD . . . . .	1	
19	796-13557-00-00	GASKET . . . . .	1	
20	95601-06200-00	NUT, U FLANGE . . . . .	2	
21	796-14583-00-00	LEVER, CHOKE . . . . .	1	
22	796-14411-04-35	CASE, AIR CLEANER 1 . . . . .	1	SILVER
23	90175-06008-00	. NUT, WING . . . . .	1	
24	90201-065F3-00	. WASHER, PLATE . . . . .	1	
25	796-14412-11-00	CAP, CLEANER CASE 1 . . . . .	1	CHROM PLATED
26	796-14468-00-00	PLATE, ELEMENT FTNG . . . . .	1	
27	796-14451-01-00	ELEMENT, AIR CLNR . . . . .	1	

CONTINUED ON NEXT FRAME ►

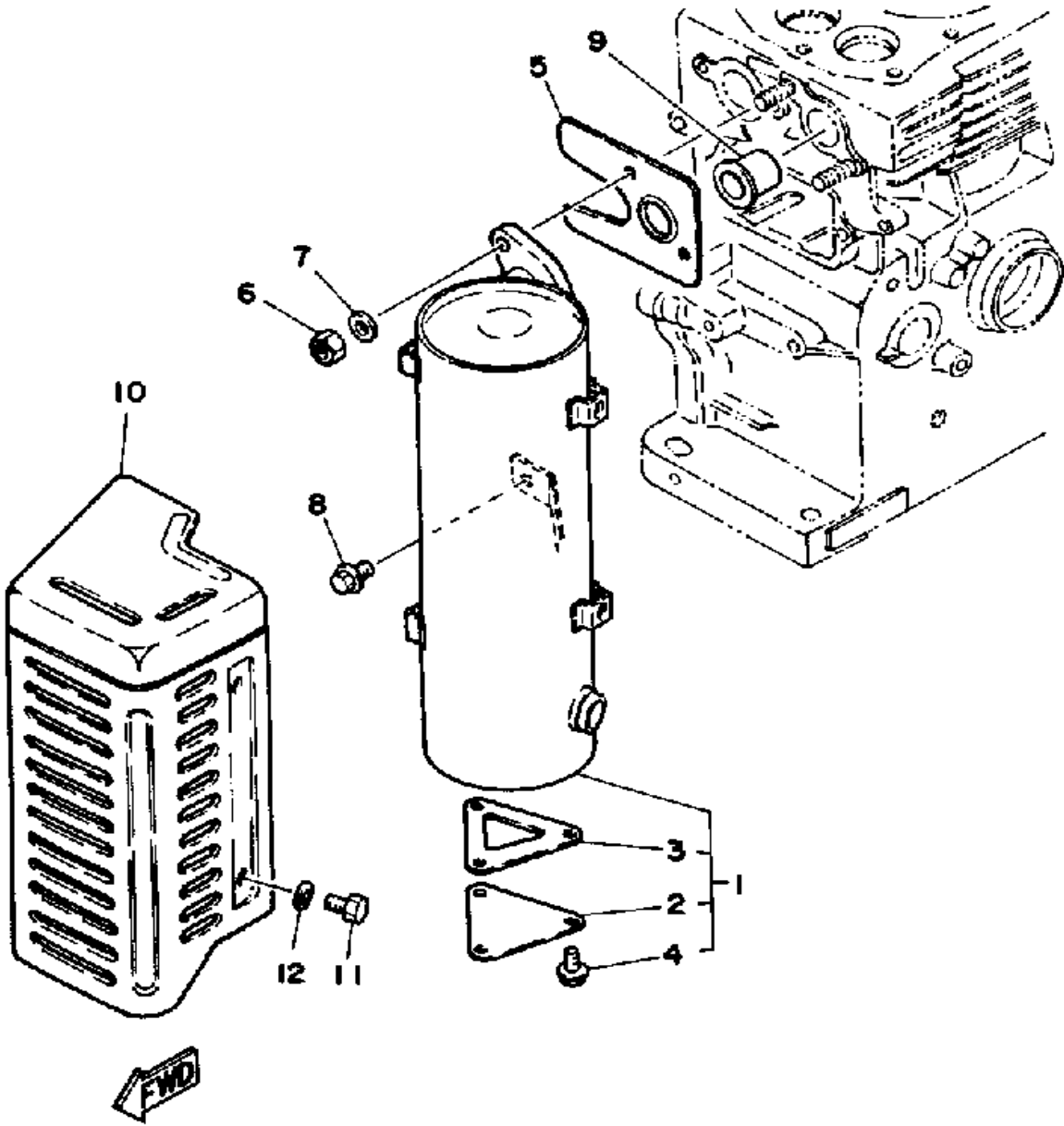
# AIR CLEANER - CARBURETOR (800101)



7J0110-8060

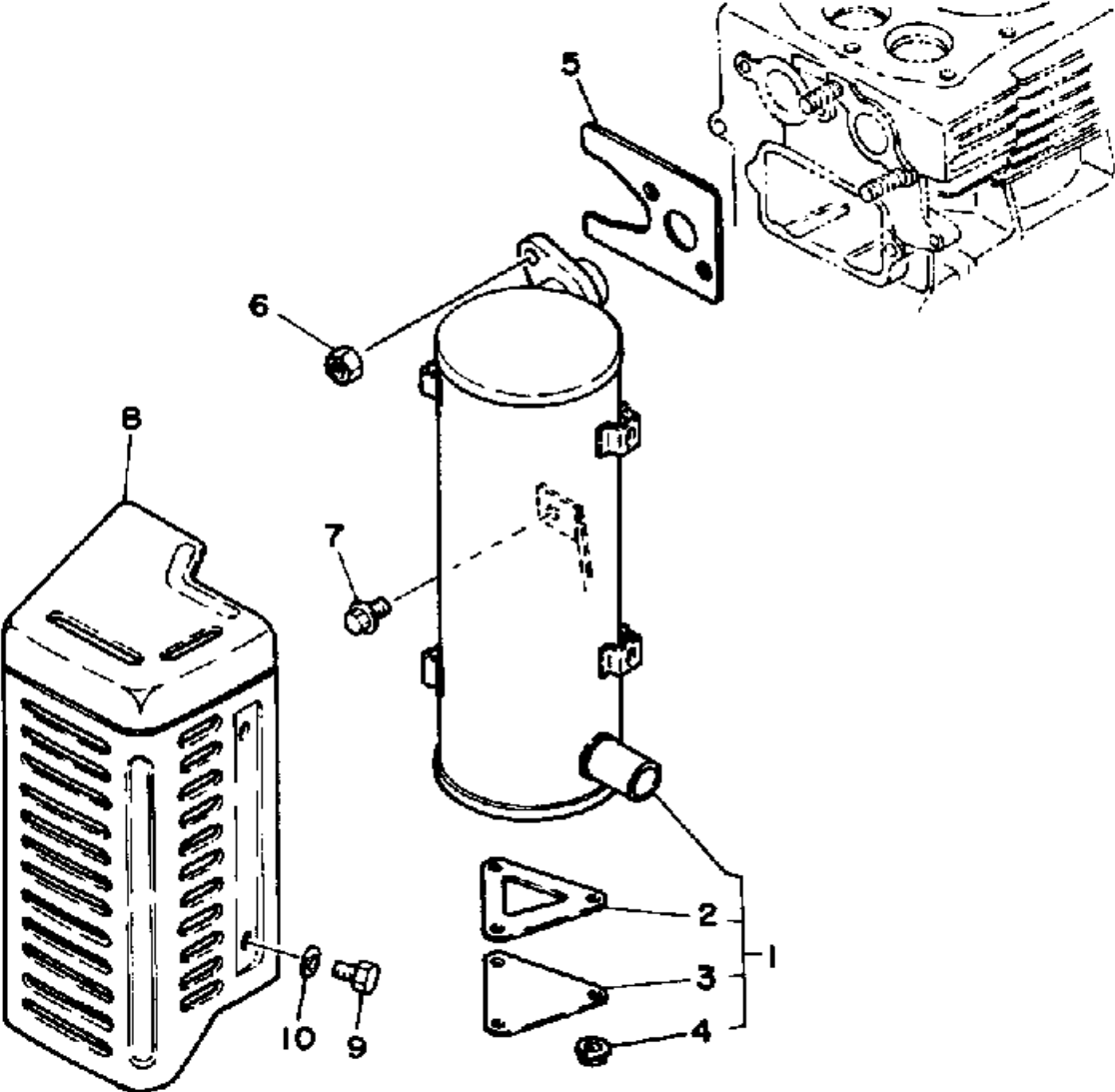
Ref. No.	Part Number	Description	Qty	Remarks
28	796-14445-00-00	GROMMET .....	1	
29	7H6-24155-U0-00	INDICATOR, CHOKE .....	1	
30	796-14416-00-00	GASKET, AIR CLEANER .....	1	
31	98580-06010-00	SCREW, PAN HEAD (92503-06010) .....	2	
32	92995-06100-00	WASHER, SPRING .....	2	
33	90109-08519-00	BOLT .....	1	
34	7EJ-14488-10-00	LABEL, CAUTION .....	1	

# EXHAUST (800101~)



Ref. No.	Part Number	Description	Qty	Remarks
1	799-14780-00-00	SPARK ARRESTERASSEMBLY	1	
2	799-14717-00-00	. PLATE, STOPPER .....	1	
3	799-14714-00-00	. GASKET, MUFFLER .....	1	
4	95811-06010-00	. BOLT, FLANGE .....	2	
5	79T-14613-10-00	GASKET, EXST PIPE (7H9-14613-00) .....	1	
6	95380-08600-00	NUT .....	2	
7	92901-08600-00	WASHER .....	2	
8	90109-06513-00	BOLT .....	1	
9	796-14712-02-00	RING, JOINT .....	1	
10	796-14718-01-93	PROTECTOR, MUFF 1 .....	1	CHROME PLATED
11	97011-06010-00	BOLT .....	4	
12	92901-06600-00	WASHER .....	4	

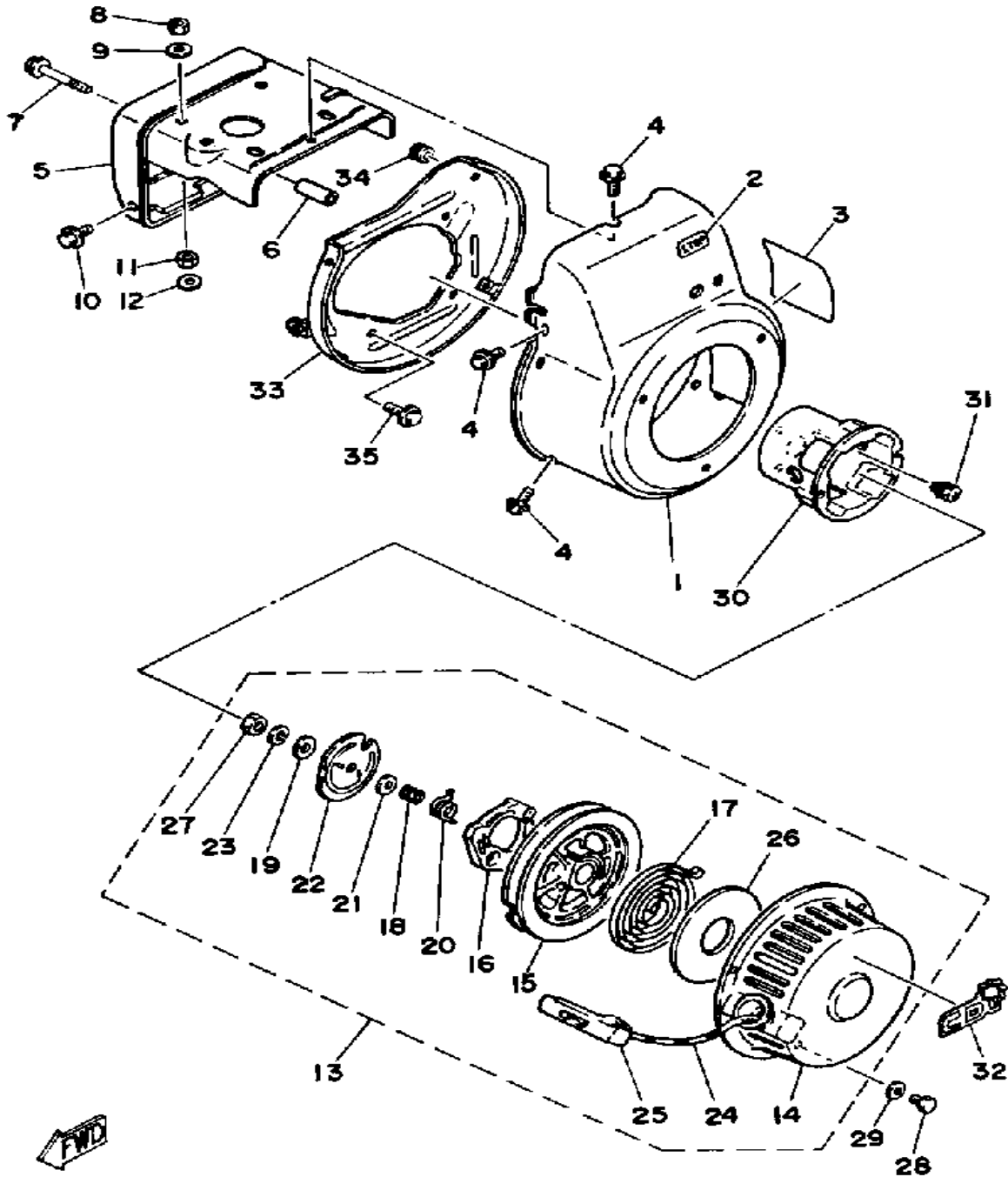
# EXHAUST (~800100)



7EJ110-5070

Ref. No.	Part Number	Description	Qty	Remarks
1	7J0-14780-01-98	SPARK ARRESTERASS"Y ...	1	E/G NO. 800701~
2	799-14714-00-00	. GASKET, MUFFLER .....	1	
3	799-14717-00-00	. PLATE, STOPPER .....	1	
4	95380-06600-00	. NUT .....	3	
5	77W-14613-00-00	GASKET, EXST PIPE .....	1	
6	95380-08600-00	NUT .....	2	
7	90109-06513-00	BOLT .....	1	
8	796-14718-01-93	PROTECTOR, MUFF 1 .....	1	CHROM PLATED
9	97011-06010-00	BOLT .....	4	
10	92901-06600-00	WASHER .....	4	

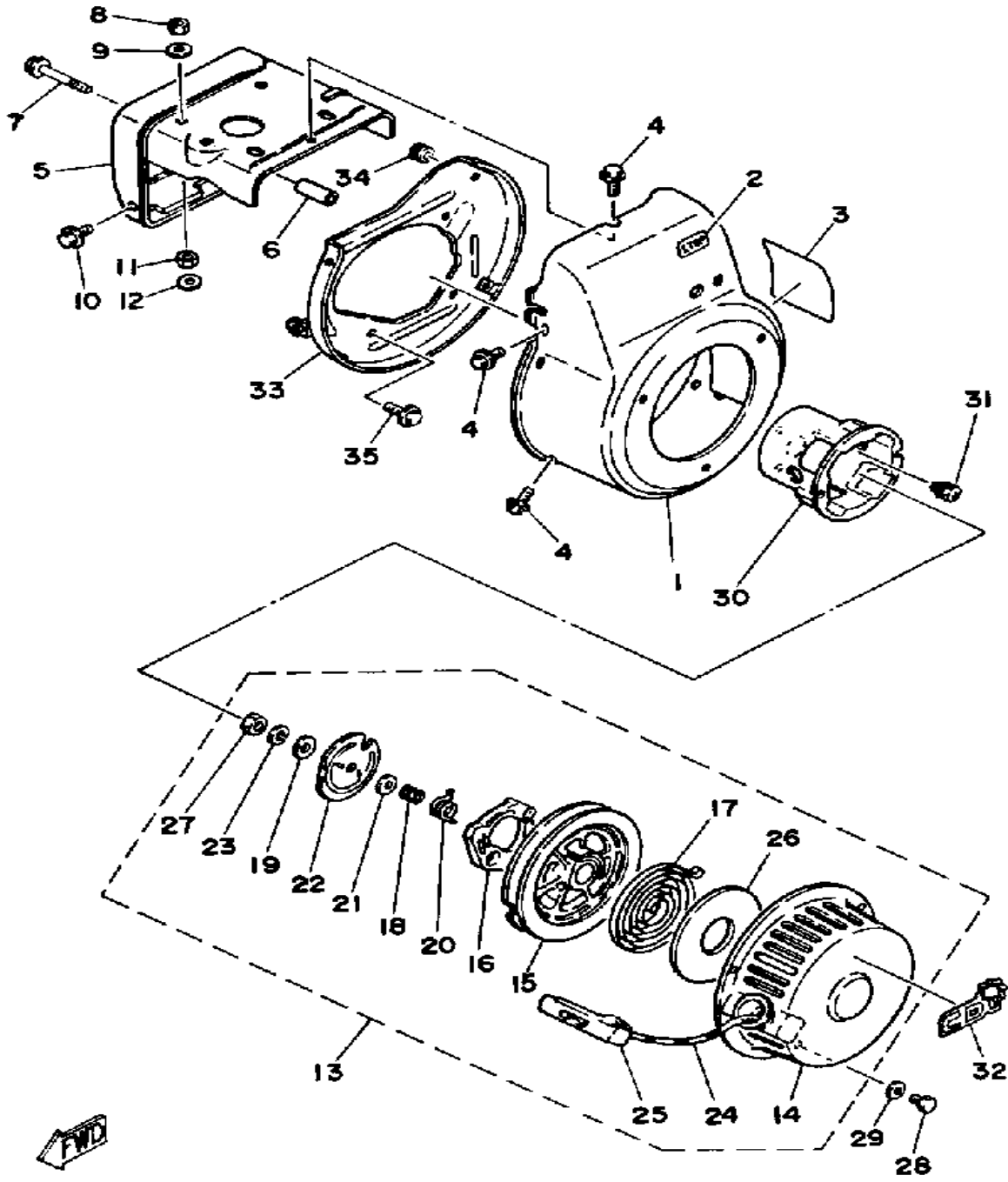
# AIR SHROUD - STARTER (~800100)



Ref. No.	Part Number	Description	Qty	Remarks
1	7H9-12610-00-00	FAN CASE ASSEMBLY	1	
2	ø79-98256-10-00	UNAVAILABLE IN PRICE BOOK	1	
3	ø7J-02179-31-00	UNAVAILABLE IN PRICE BOOK	1	
4	90109-06513-00	BOLT	7	
5	7H9-12620-00-86	AIR SHROUD ASSEMBLY	1	
6	90387-06574-00	COLLAR	1	
7	90109-06517-00	BOLT	1	
8	95333-08600-00	NUT	3	
9	92901-08600-00	WASHER	3	
10	90109-06513-00	BOLT	2	
11	95333-08600-00	NUT	2	
12	92901-08600-00	WASHER	2	
13	99999-02147-00	STARTER ASSEMBLY.	1	NAIAD BLUE
14	796-15711-05-86	. CASE, STARTER	1	NAIAD BLUE
15	796-15714-00-00	. DRUM, SHEAVE	1	
16	732-15741-00-00	. PAWL, DRIVE	1	
17	732-15713-00-00	. SPRING, STARTER	1	
18	732-15715-00-00	. SPRING, DRIVE PLATE	1	
19	732-15719-00-00	. WASHER, THRUST	1	
20	732-15734-00-00	. SPRING, RETURN	1	
21	732-15726-00-00	. WASHER, FLAT	1	
22	732-15716-00-00	. PLATE, DRIVE	1	
23	92995-06100-00	. WASHER, SPRING	1	
24	796-15751-00-00	. ROPE, STARTER	1	
25	7EG-15755-00-00	. HANDLE, STARTER (732-15755-00)	1	
26	796-15724-00-00	. SPACER	1	
27	95380-06700-00	. NUT	1	
28	97011-06010-00	BOLT	3	

CONTINUED ON NEXT FRAME ►

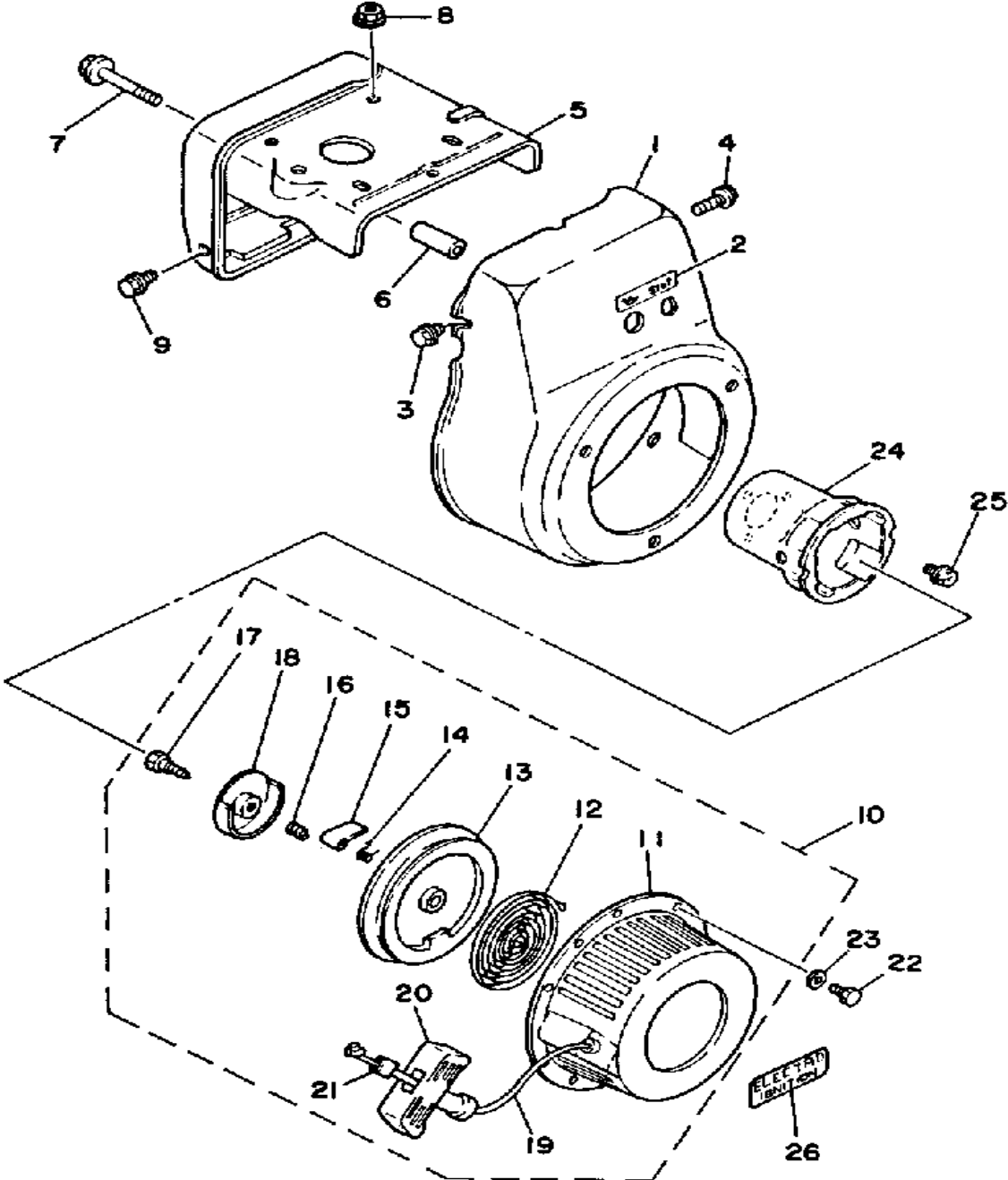
# AIR SHROUD - STARTER (~800100)



Ref. No.	Part Number	Description	Qty	Remarks
29	92901-06600-00	WASHER .....	3	
30	796-15723-02-00	PULLEY, STARTER .....	1	
31	90159-06069-00	SCREW, WITH WASHER .....	3	
32	3E1-21781-00-00	EMBLEM 1 .....	1	
33	796-12643-02-86	FITTING PLATE .....	1	NAIAD BLUE
34	90480-17245-00	GROMMET .....	1	
35	90109-06524-00	BOLT .....	4	



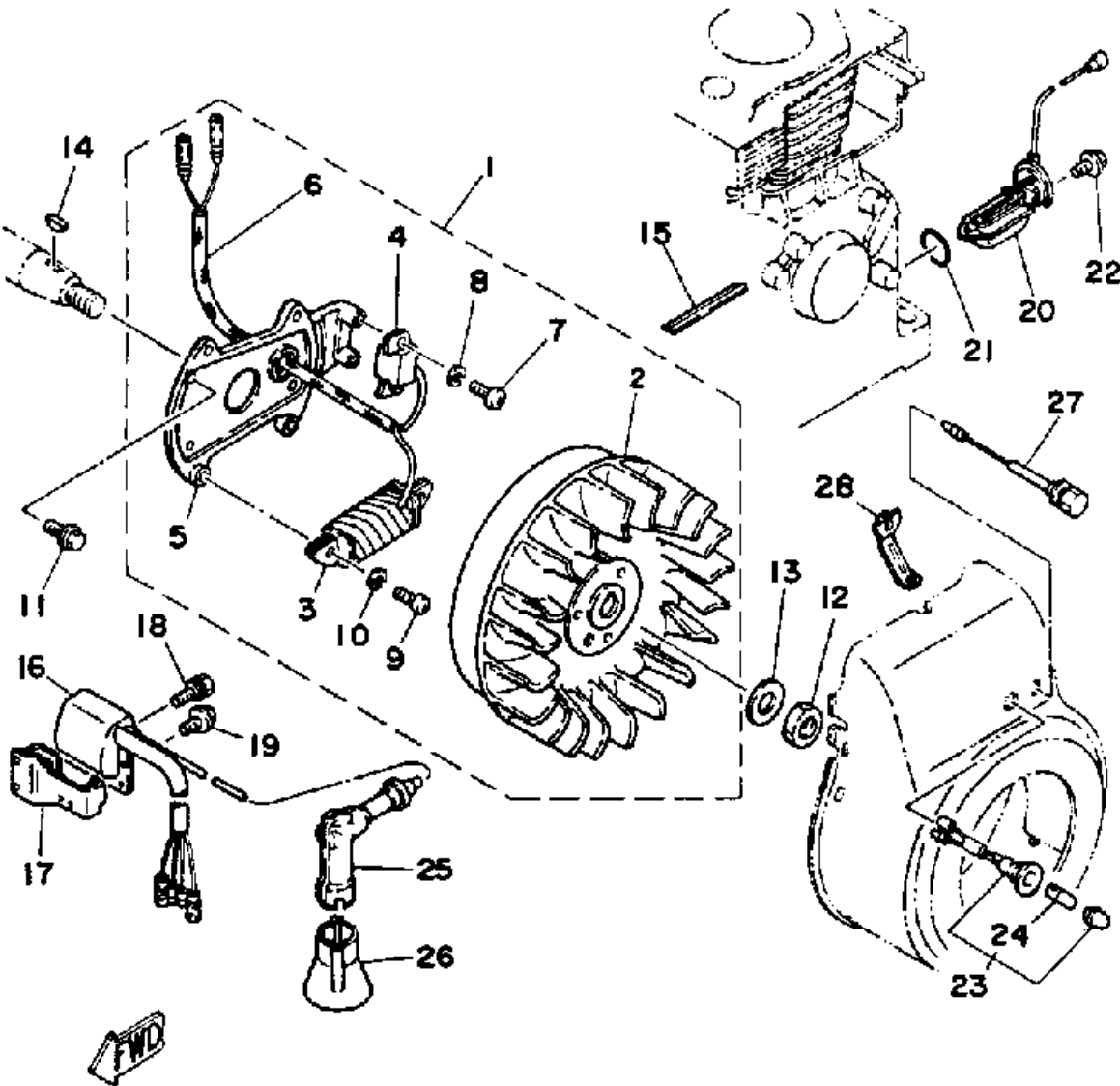
# AIR SHROUD - STARTER (800101~)



7T9400-5050

Ref. No.	Part Number	Description	Qty	Remarks
1	77W-12610-00-86	FAN CASE ASSEMBLY	1	NAIAD BLUE E/G NO. 800701~
	T---	UNAVAILABLE IN PRICE BOOK	1	
2	7H6-82561-00-00	GRAPHIC, ENG	1	
3	90109-06513-00	BOLT	6	
4	90109-06524-00	BOLT	1	
5	7H9-12620-00-86	AIR SHROUD ASSEMBLY	1	NAIAD BLUE
6	90387-06574-00	COLLAR	1	
7	90109-06517-00	BOLT	1	
8	95701-08500-00	NUT, FLANGE	5	
9	90109-06513-00	BOLT	2	
10	796-15710-06-86	STARTER ASSEMBLY	1	NAIAD BLUE E/G NO. 800291~
11	796-15711-06-86	. CASE, STARTER	1	
12	7R7-15713-00-00	. SPRING, STARTER	1	
13	7R7-15714-00-00	. DRUM, SHEAVE	1	
14	7X9-15743-00-00	. CLIP, DRIVE PAWL	1	
15	7R7-15741-00-00	. PAWL, DRIVE	1	
16	7X9-15715-00-00	. SPRING, DRIVE PLATE	1	
17	7X9-15768-00-00	. BOLT	1	
18	7R7-15716-00-00	. PLATE, DRIVE	1	
19	7Y6-15751-00-00	. ROPE, STARTER (7R7-15751-00)	1	
20	7R7-15755-00-00	. HANDLE, STARTER	1	
21	7R7-15756-00-00	. CONNECTOR 1	1	
22	97011-06010-00	BOLT	3	
23	92901-06600-00	WASHER	3	
24	796-15723-03-00	PULLEY, STARTER	1	E/G NO. 800291~
25	90159-06069-00	SCREW, WITH WASHER	3	
26	76G-21781-00-00	EMBLEM 1	1	

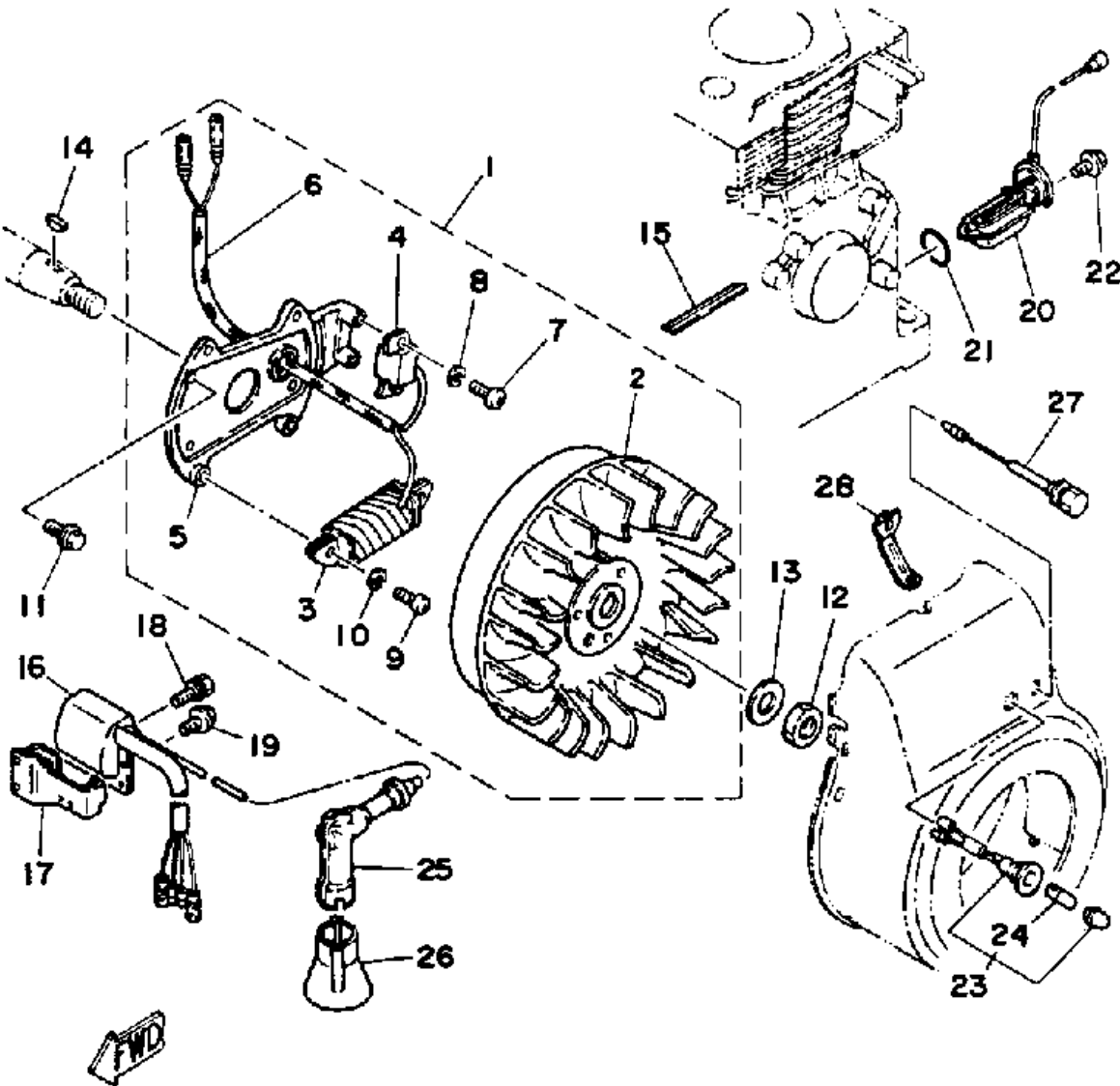
# C - D - I - MAGNETO (~800700)



Ref. No.	Part Number	Description	Qty	Remarks
1	7H9-85500-K1-00	CDI MAGNETO ASSEMBLY ...	1	
2	7H9-85550-01-00	. ROTOR ASSEMBLY .....	1	
3	7H9-85541-00-00	. COIL, CHARGE .....	1	
4	796-85543-00-00	. COIL PULSER .....	1	
5	7H9-85561-00-00	. BASE, MAGNETO .....	1	
6	796-85515-00-00	. LEAD WIRE ASSEMBLY ....	1	
7	98503-04014-00	. SCREW, PAN HEAD .....	2	
8	92901-04100-00	. WASHER, SPRING .....	2	
9	98511-06025-00	. SCREW PAN HEAD (92501-06025) .....	2	
10	92995-06100-00	. WASHER, SPRING .....	2	
11	90109-06524-00	BOLT .....	3	
12	90170-14403-00	NUT .....	1	
13	90201-140G9-00	WASHER, PLATE (90201-14707)	1	
14	90280-05025-00	KEY, WOODRUFF .....	1	
15	796-81328-00-00	CLAMP .....	2	
16	7H9-85540-K1-00	CDI UNIT ASSEMBLY .....	1	
17	796-85542-00-00	BRACKET .....	1	
18	(90153-06047-00)	SCREW, HEXAGON .....	2	
19	90109-06513-00	BOLT .....	2	
20	77W-85720-00-00	OIL LVL GAUGE ASSEMBLYASSY .....	1	
21	93210-32390-00	O-RING .....	1	
22	90109-06513-00	BOLT .....	4	
23	796-85770-01-00	OIL PILOT LT ASSEMBLY ....	1	
24	7G5-87254-00-00	. BULB, PILOT LAMP .....	1	
25	512-82370-10-00	PLUG CAP ASSEMBLY .....	1	W/NOISE SUPPRESSOR
26	796-82372-01-00	SEAL, PLUG CAP .....	1	
27	796-82550-09-00	STOP SWITCH ASSEMBLY ...	1	

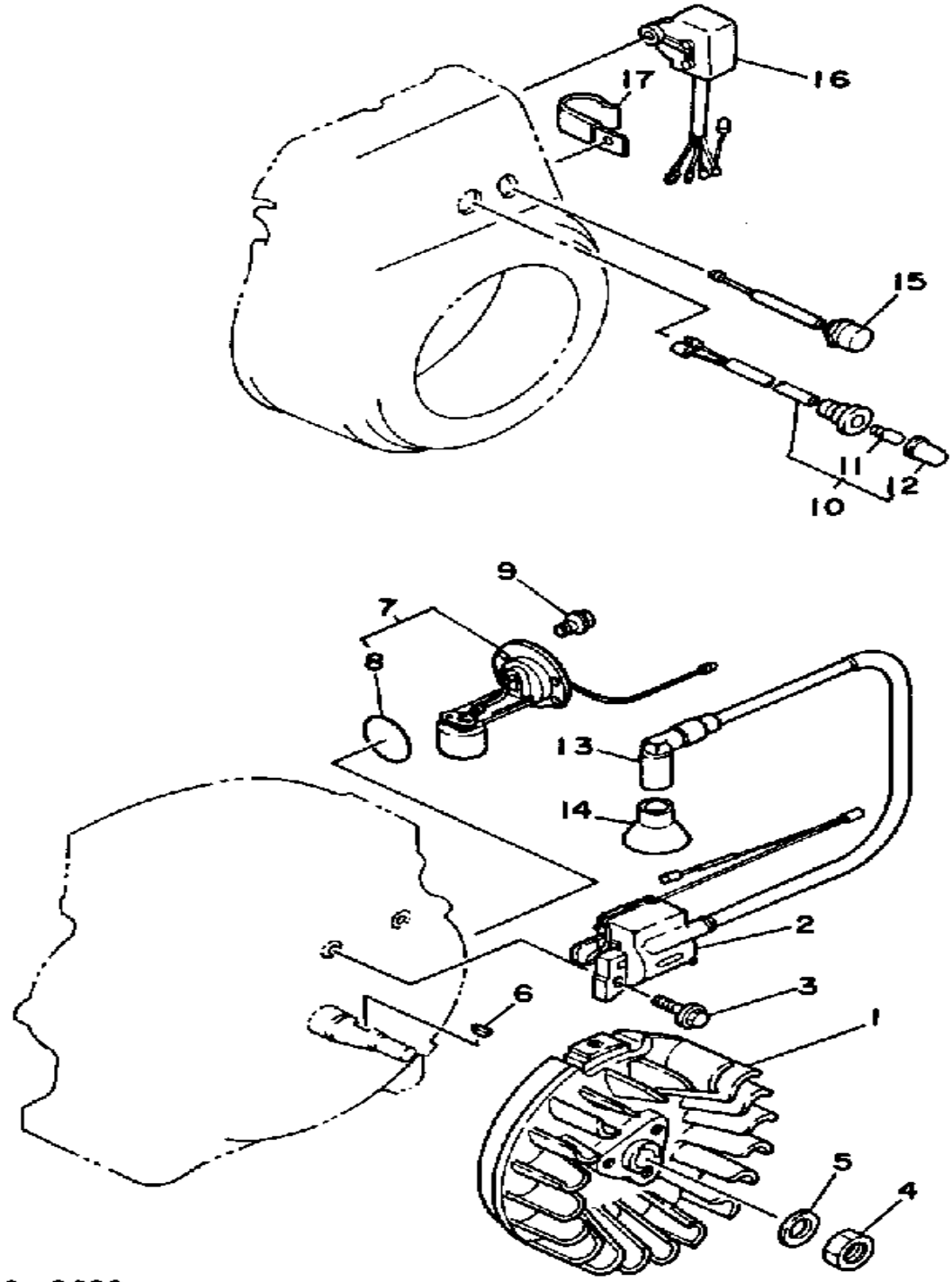
CONTINUED ON NEXT FRAME ➤

# C - D - I - MAGNETO (~800700)



Ref. No.	Part Number	Description	Qty	Remarks
28	796-82357-01-00	HOLDER HIGH TEN COCORD	1	

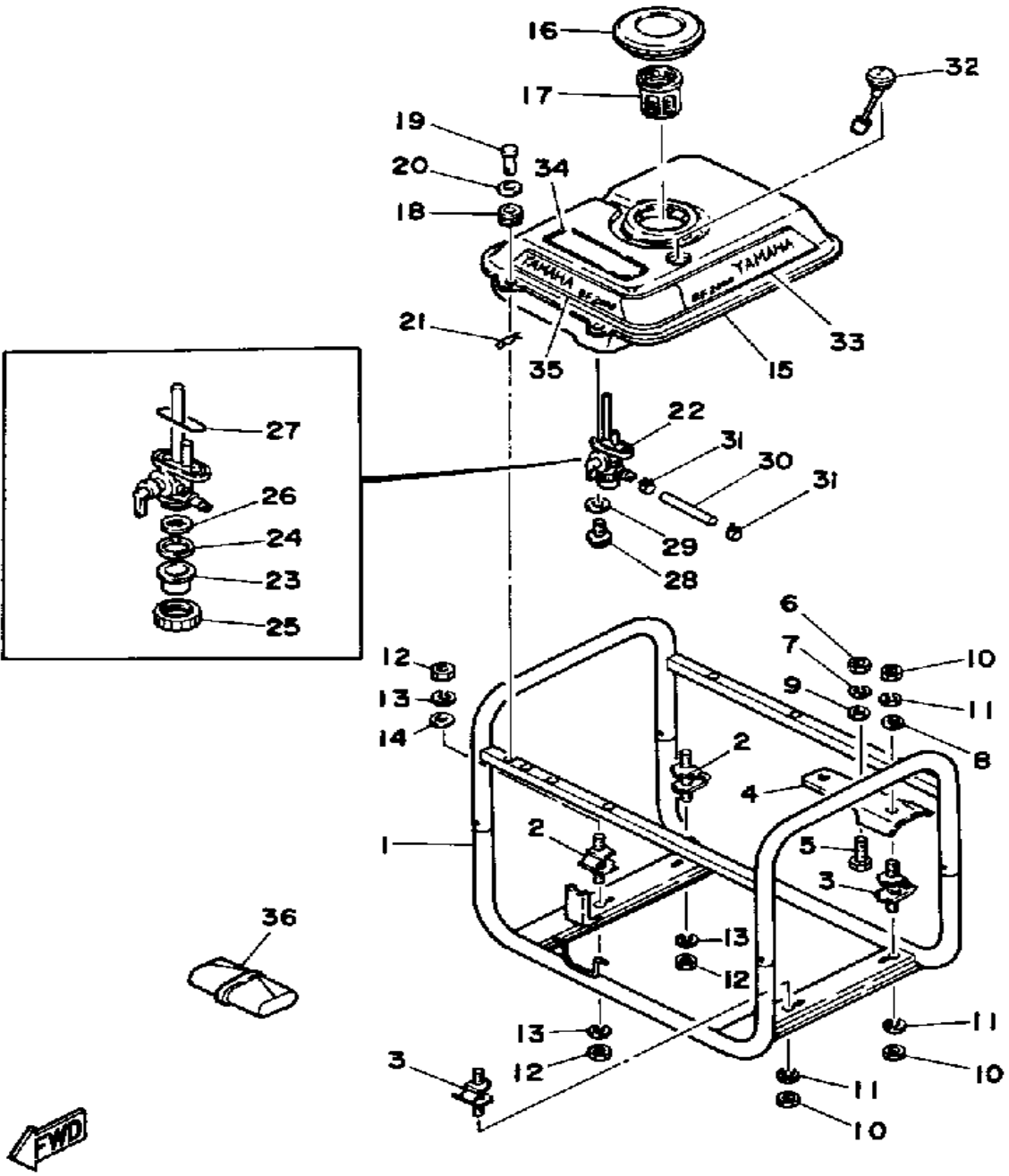
# C - D - I - MAGNETO (800701~)



Ref. No.	Part Number	Description	Qty	Remarks
1	(77W-85650-M0-00)	ROTOR ASSEMBLY .....	1	
2	77V-85640-M0-00	T.C.I. UNIT ASSEMBLY .....	1	
3	90105-05331-00	BOLT, WASHER BASED .....	2	
4	90170-14403-00	NUT .....	1	
5	92901-01460-00	UNAVAILABLE IN PRICE BOOK	1	
6	90280-05025-00	KEY, WOODRUFF .....	1	
7	77W-85720-00-00	OIL LVL GAUGE ASSEMBLY .....	1	
8	93210-32390-00	. O-RING .....	1	
9	90109-06513-00	BOLT .....	4	
10	77V-85770-00-00	OIL PILOT LT ASSEMBLY .....	1	
11	7X9-83531-00-00	. BULB, PILOT .....	1	
12	77V-87252-00-00	. LENS, PILOT LIGHT .....	1	
13	73A-82370-00-00	PLUG CAP ASSEMBLY .....	1	
14	77V-82372-00-00	SEAL, PLUG CAP .....	1	
15	76G-82550-00-00	STOP SWITCH ASSEMBLY ...	1	
16	77V-85690-M0-00	OIL WARNING UNIT .....	1	
17	(90462-08100-00)	CLAMP .....	1	

7J0110-6090

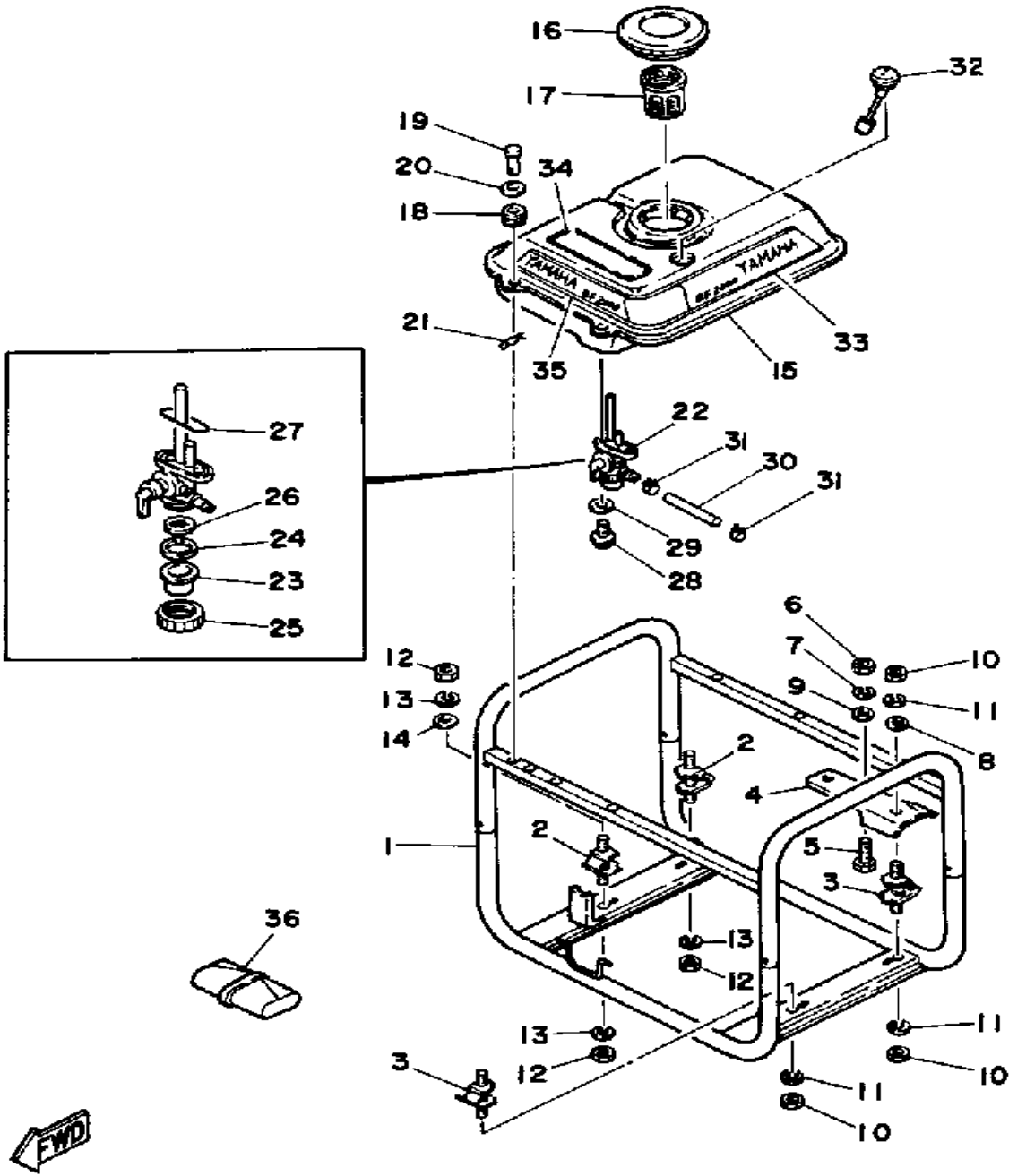
# FRAME - FUEL TANK (~800100)



Ref. No.	Part Number	Description	Qty	Remarks
1	7J0-22810-11-00	FRAME ASSEMBLY (7J0-22810-10-93)	1	CHROM PLATED
2	796-22891-03-00	INSULATOR, MOUNTING	2	
3	796-22894-00-00	INSULATOR, MNTNG 2	2	
4	7H9-11011-00-00	BRACKET ASSEMBLY.	2	
5	97013-10040-00	BOLT	4	
6	95303-10700-00	NUT	4	
7	92990-10100-00	WASHER, SPRING	4	
8	92990-10200-00	WASHER, PLAIN	2	
9	92990-10200-00	WASHER, PLAIN	4	
10	95303-10700-00	NUT	4	
11	92990-10100-00	WASHER, SPRING	4	
12	95303-10700-00	NUT	4	
13	92990-10100-00	WASHER, SPRING	4	
14	92990-10200-00	WASHER, PLAIN	2	
15	796-24110-03-86	FUEL TANK	1	NAIAD BLUE
16	137-24610-00-00	CAP ASSEMBLY	1	
17	630-24167-00-00	STRAINER	1	
18	90480-14052-00	GROMMET	4	
19	90240-06055-00	PIN, CLEVIS	4	
20	90201-06067-00	WASHER, PLATE	4	
21	90468-10050-00	CLIP	4	
22	7J3-24500-01-00	FUEL COCK ASSEMBLY 1 (7J3-24500-00-00)	1	
23	7G5-24521-00-00	. CUP, FILTER	1	
24	7G5-24522-00-00	. GASKET	1	
25	7G5-24531-00-00	. NUT	1	
26	7G5-24515-00-00	. NET, FILTER 2	1	
27	2W6-24512-00-00	. O-RING	1	

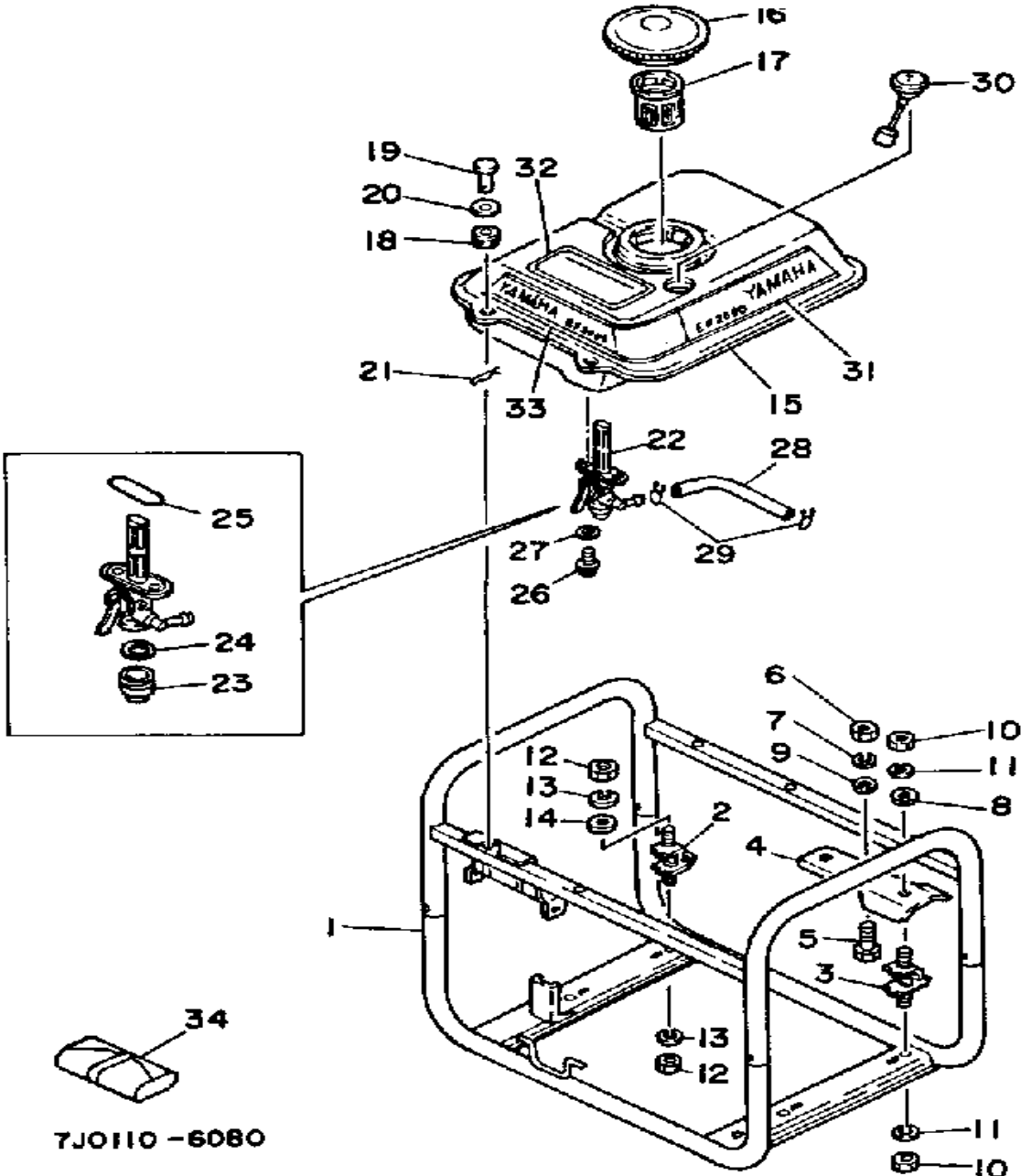
CONTINUED ON NEXT FRAME ►

# FRAME - FUEL TANK (~800100)



Ref. No.	Part Number	Description	Qty	Remarks
28	90149-06011-00	SCREW	2	
29	90202-05187-00	WASHER, PLATE	2	
30	90445-126A1-00	HOSE	1	
31	90467-11044-00	CLIP	2	
32	7F7-85710-02-00	FUEL LVL GAUGE ASSEMBLY	1	
33	7J0-24161-10-00	EMBLEM 1	1	
34	ø79-92416-21-00	UNAVAILABLE IN PRICE BOOK	1	
35	7J0-24164-10-00	EMBLEM 4	1	
36	79W-W2810-00-00	TOOL KIT	1	

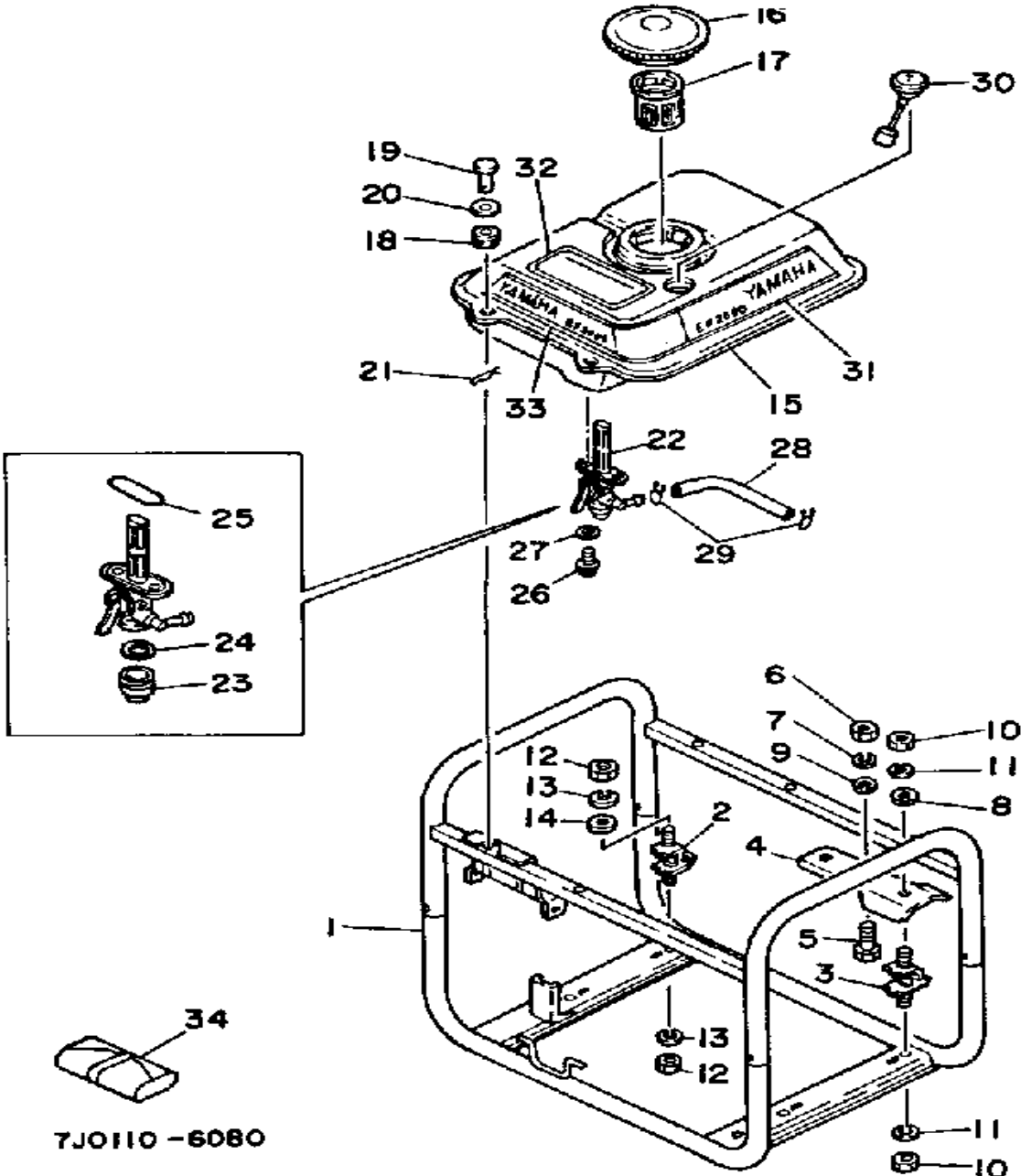
# FRAME - FUEL TANK (800101~)



Ref. No.	Part Number	Description	Qty	Remarks
1	(7J0-22810-11-93)	FRAME ASSEMBLY .....	1	CHROME PLATED E/G NO. 800701
2	796-22891-03-00	INSULATOR, MOUNTING .....	2	
3	796-22894-00-00	INSULATOR, MNTNG 2 .....	1	
4	7H9-11011-00-00	BRACKET ASSEMBLY. ....	2	
5	97013-10040-00	BOLT .....	4	
6	95303-10700-00	NUT .....	4	
7	92990-10100-00	WASHER, SPRING .....	4	
8	92990-10200-00	WASHER, PLAIN .....	2	
9	92990-10200-00	WASHER, PLAIN .....	4	
10	95303-10700-00	NUT .....	4	
11	92990-10100-00	WASHER, SPRING .....	4	
12	95303-10700-00	NUT .....	4	
13	92990-10100-00	WASHER, SPRING .....	4	
14	92990-10200-00	WASHER, PLAIN .....	2	
15	796-24110-03-86	FUEL TANK .....	1	NAIAD BLUE
16	7V5-24610-01-00	CAP ASSEMBLY .....	1	
17	630-24167-00-00	STRAINER .....	1	
18	90480-14052-00	GROMMET .....	4	
19	90240-06055-00	PIN, CLEVIS .....	4	
20	90201-06067-00	WASHER, PLATE .....	4	
21	90468-10050-00	CLIP .....	4	
22	7J3-24500-01-00	FUEL COCK ASSEMBLY 1 (7J3-24500-00-00) .....	1	E/G NO. 801521
23	7J3-24521-00-00	CUP, FILTER .....	1	
24	4X8-24565-00-00	. GASKET .....	1	
25	2W6-24512-00-00	. O-RING .....	1	
26	90149-06011-00	SCREW .....	2	
27	90202-05187-00	WASHER, PLATE .....	2	

CONTINUED ON NEXT FRAME ►

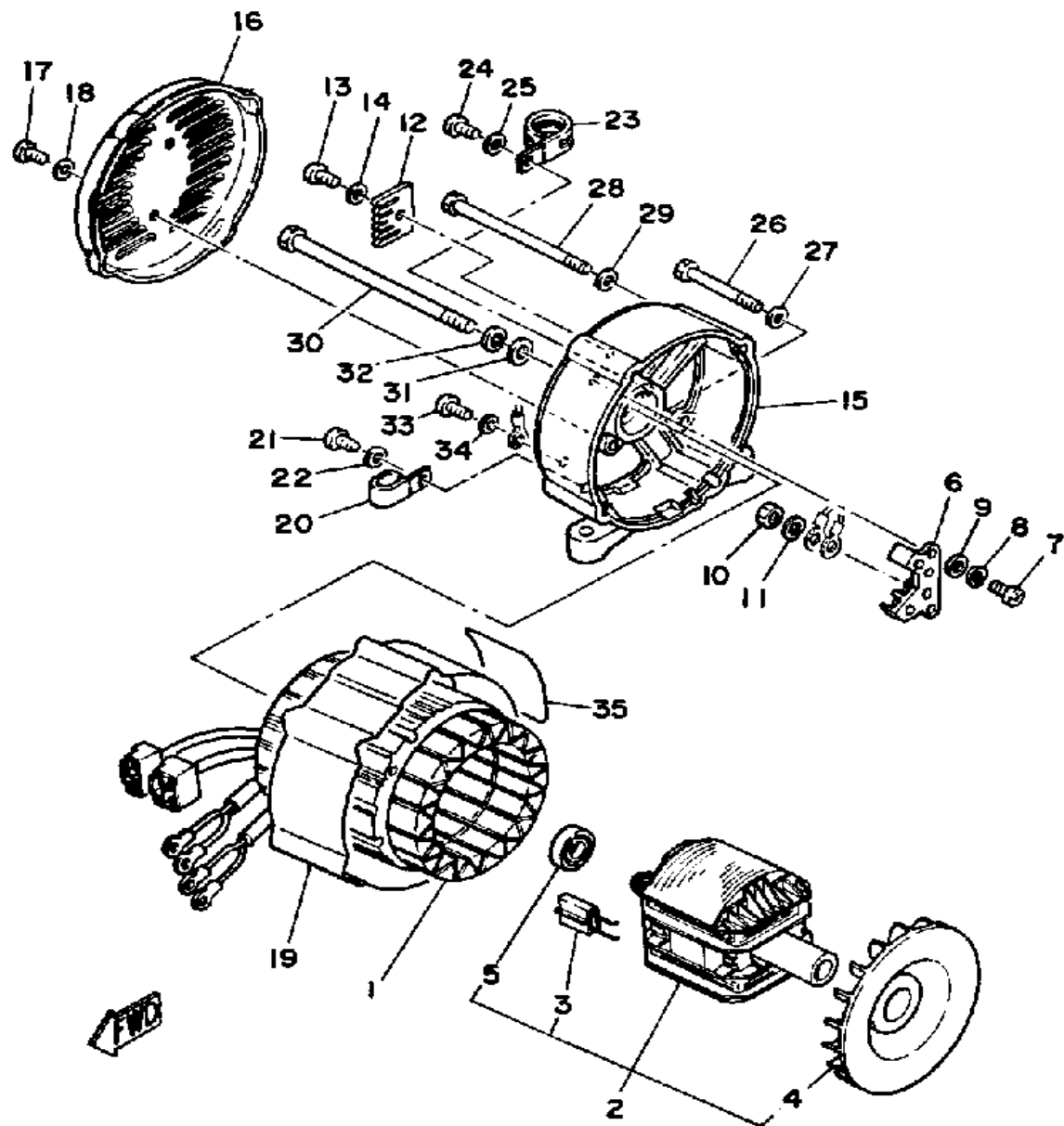
# FRAME - FUEL TANK (800101~)



Ref. No.	Part Number	Description	Qty	Remarks
28	90445-126A1-00	HOSE .....	1	
29	90467-11102-00	CLIP, SCISSOR .....	2	
30	7F7-85710-02-00	FUEL LVL GAUGE ASSEMBLY	1	
31	7J0-24161-10-00	EMBLEM 1 .....	1	
32	73T-24162-10-00	EMBLEM 2 .....	1	
33	7J0-24164-10-00	EMBLEM 4 .....	1	
34	79W-W2810-00-00	TOOL KIT .....	1	



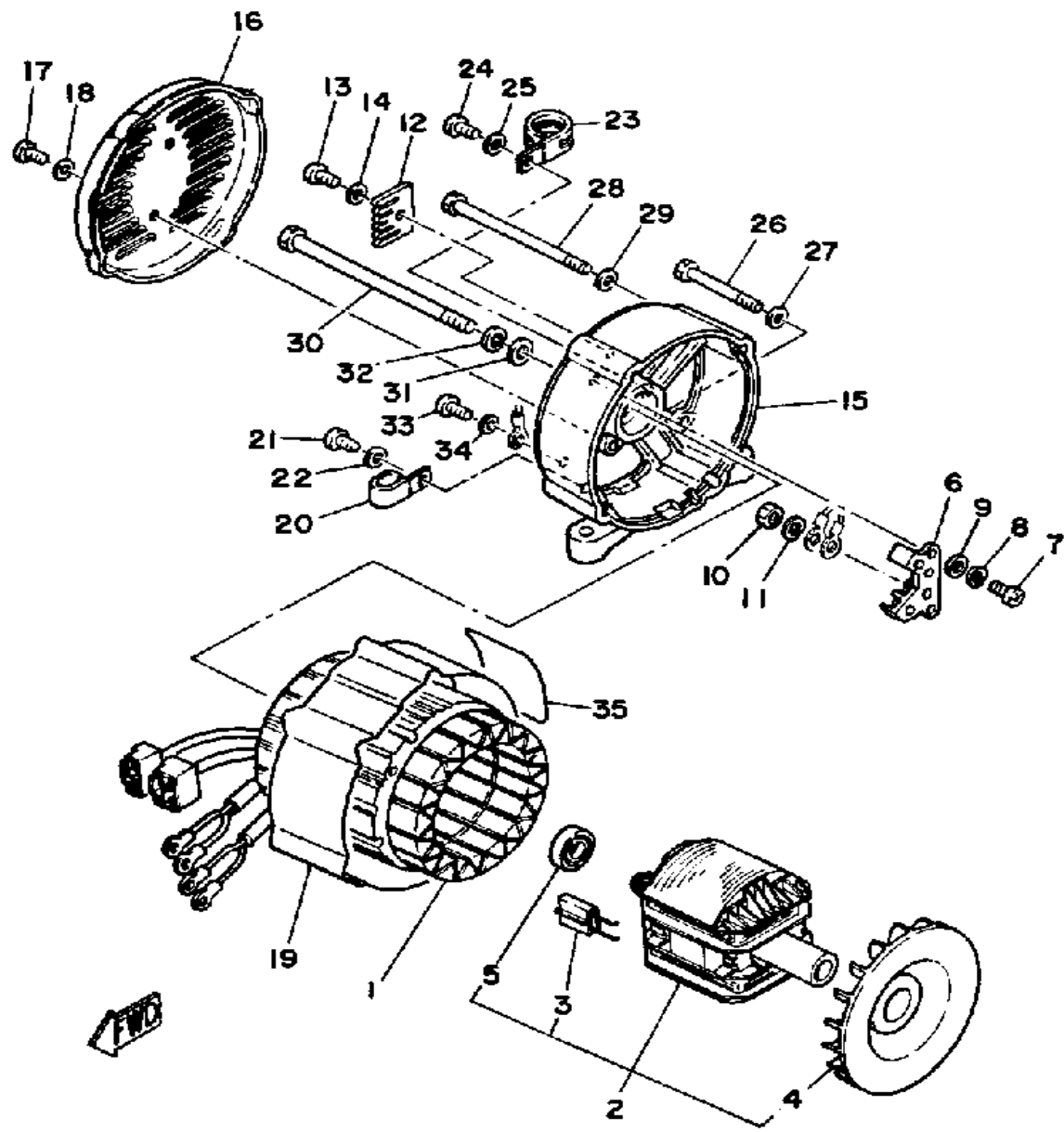
# GENERATOR (~800100)



Ref. No.	Part Number	Description	Qty	Remarks
1	7J0-87150-11-00	STATOR ASSEMBLY	1	
2	7GY-87160-00-00	. ROTOR ASSEMBLY	1	
	93306-20328-00	. BEARING	1	
	99999-01605-00	ROTOR ASSEMBLY (7V2-87160-00)	1	
3	7G5-87115-00-00	. RECTIFIER ASSEMBLY	4	
4	7K6-87172-00-00	. FAN, GENERATOR	1	
5	93306-20328-00	. BEARING	1	
6	7V2-87220-00-00	TERMINAL ASSEMBLY	1	
7	98580-05014-00	SCREW, PAN HEAD	2	
8	92990-05100-00	WASHER, SPRING	2	
9	92901-05600-00	WASHER, PLATE	2	
10	95311-05700-00	NUT	2	
11	92990-05100-00	WASHER, SPRING	2	
12	7H5-87105-01-00	RECTIFIER ASSEMBLY 1	1	
13	98580-05016-00	SCREW, PAN HEAD	1	
14	92901-05600-00	WASHER, PLATE	1	
15	7N7-87131-01-00	. FRAME, REAR	1	
	93306-20328-00	. BEARING	1	
	99999-01563-00	FRAME, REAR (7H9-87131-00)	1	
16	7H9-87174-00-86	COVER, REAR END	1	NAIAD BLUE
17	97011-06010-00	BOLT	2	
18	92901-06600-00	WASHER	2	
19	7H9-87153-00-20	COVER, STATOR	1	CRYSTAL SLV
20	90465-08146-00	CLAMP	1	
21	98580-05010-00	SCREW, PAN HEAD	1	
22	92901-05600-00	WASHER, PLATE	1	
23	90462-05061-00	CLAMP	1	
24	98580-05010-00	SCREW, PAN HEAD	1	

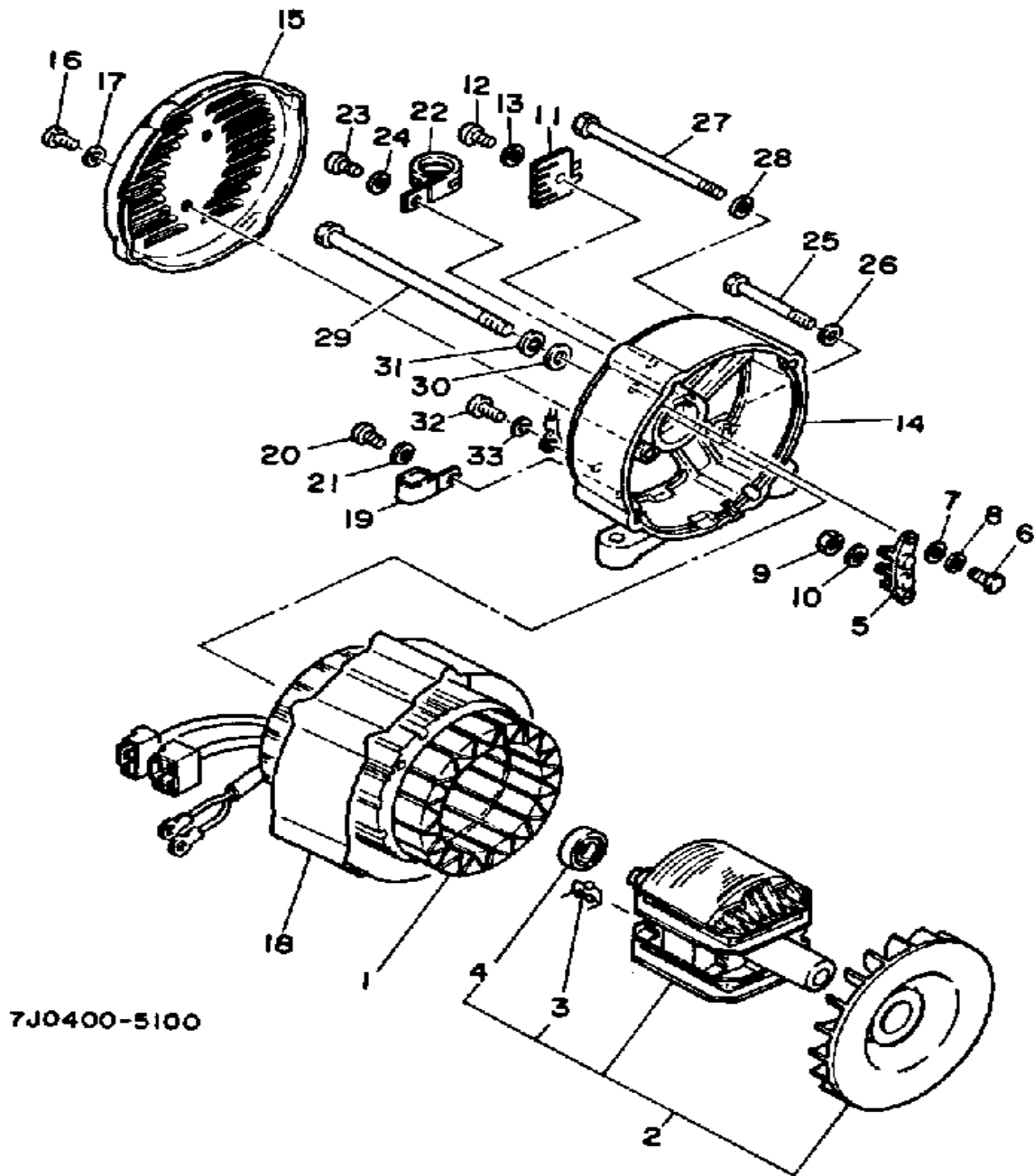
CONTINUED ON NEXT FRAME ►

# GENERATOR (~800100)



Ref. No.	Part Number	Description	Qty	Remarks
25	92901-05600-00	WASHER, PLATE .....	1	
26	97021-06075-00	BOLT, HEXAGON .....	2	
27	92901-06600-00	WASHER .....	2	
28	97322-06145-00	BOLT, HEXAGON .....	4	
29	92901-06600-00	WASHER .....	4	
30	97322-08190-00	BOLT, HEXAGON .....	1	
31	92901-08600-00	WASHER .....	1	
32	92990-08100-00	WASHER .....	1	
33	98580-05010-00	SCREW, PAN HEAD .....	1	
34	92901-05600-00	WASHER, PLATE .....	1	
35	7J0-24163-00-00	EMBLEM 3 .....	1	

# GENERATOR (800101~)

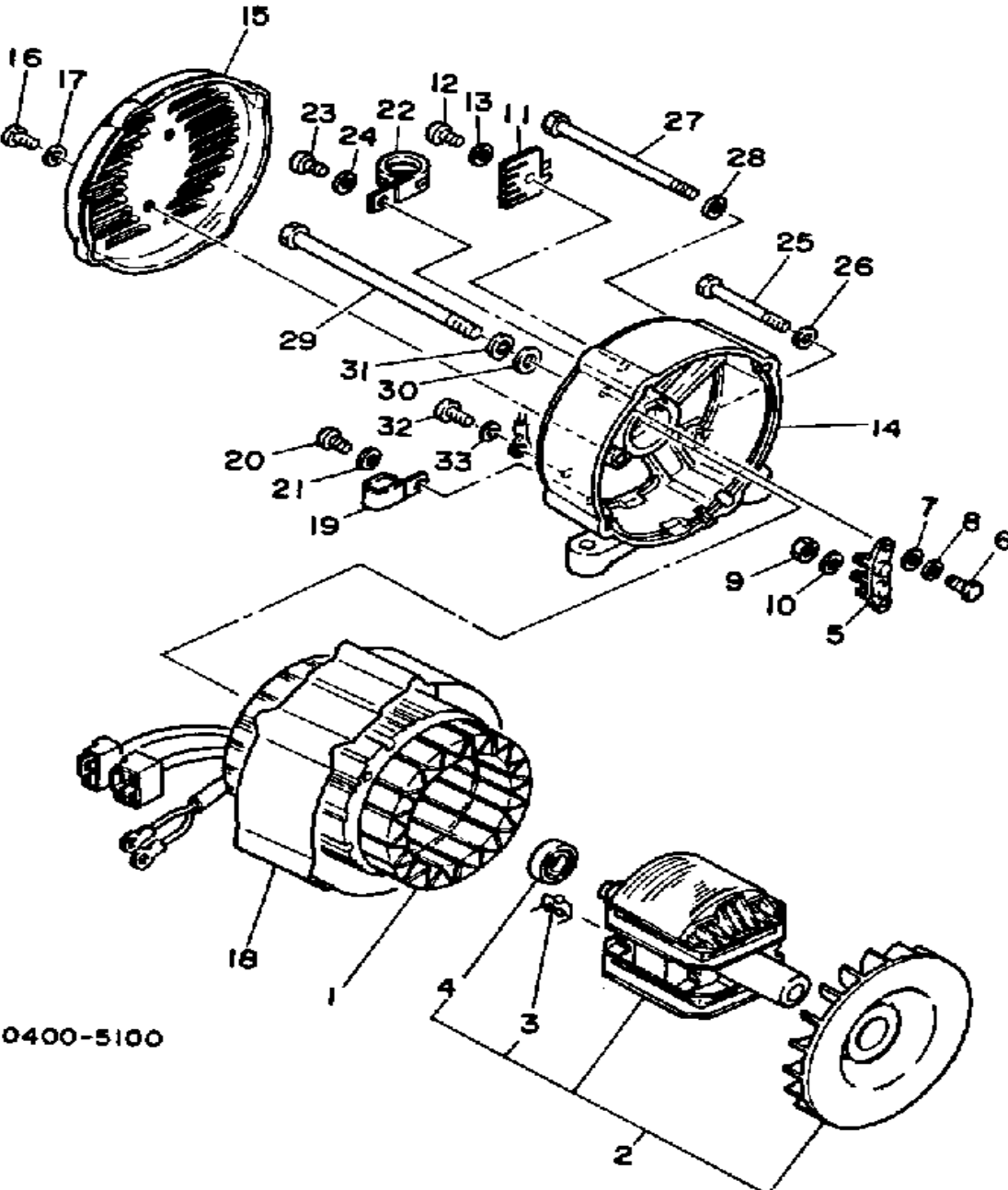


7J0400-5100

Ref. No.	Part Number	Description	Qty	Remarks
1	7J0-87150-01-00	STATOR ASSEMBLY	1	
2	7GY-87160-00-00	ROTOR ASSEMBLY	1	E/G NO. 800290~
3	75J-87115-00-00	. RECTIFIER ASSEMBLY	4	
4	93306-20328-00	. BEARING	1	
5	7H9-87220-00-00	TERMINAL ASSEMBLY SUB-ASSEMBLY 1	1	
6	98580-05016-00	SCREW, PAN HEAD	2	
7	92901-05600-00	WASHER, PLATE	2	
8	92990-05100-00	WASHER, SPRING	2	
9	95311-05700-00	NUT	2	
10	92990-05100-00	WASHER, SPRING	2	
11	7H5-87105-01-00	RECTIFIER ASSEMBLY 1	1	
12	98580-05016-00	SCREW, PAN HEAD	1	
13	92901-05600-00	WASHER, PLATE	1	
14	7H9-87131-01-00	FRAME, REAR	1	E/G NO. 800290~
15	7H9-87174-00-86	COVER, REAR END	1	NAIAD BLUE
16	97011-06010-00	BOLT	2	
17	92901-06600-00	WASHER	2	
18	78Y-87153-00-00	COVER, STATOR	1	
19	90465-08146-00	CLAMP	1	
20	98580-05010-00	SCREW, PAN HEAD	1	
21	92901-05600-00	WASHER, PLATE	1	
22	90462-05061-00	CLAMP	1	
23	98580-05010-00	SCREW, PAN HEAD	1	
24	92901-05600-00	WASHER, PLATE	1	
25	97021-06075-00	BOLT, HEXAGON	2	
26	92901-06600-00	WASHER	2	
27	97322-06145-00	BOLT, HEXAGON	4	
28	92990-06600-00	WASHER, PLATE	4	

CONTINUED ON NEXT FRAME ►

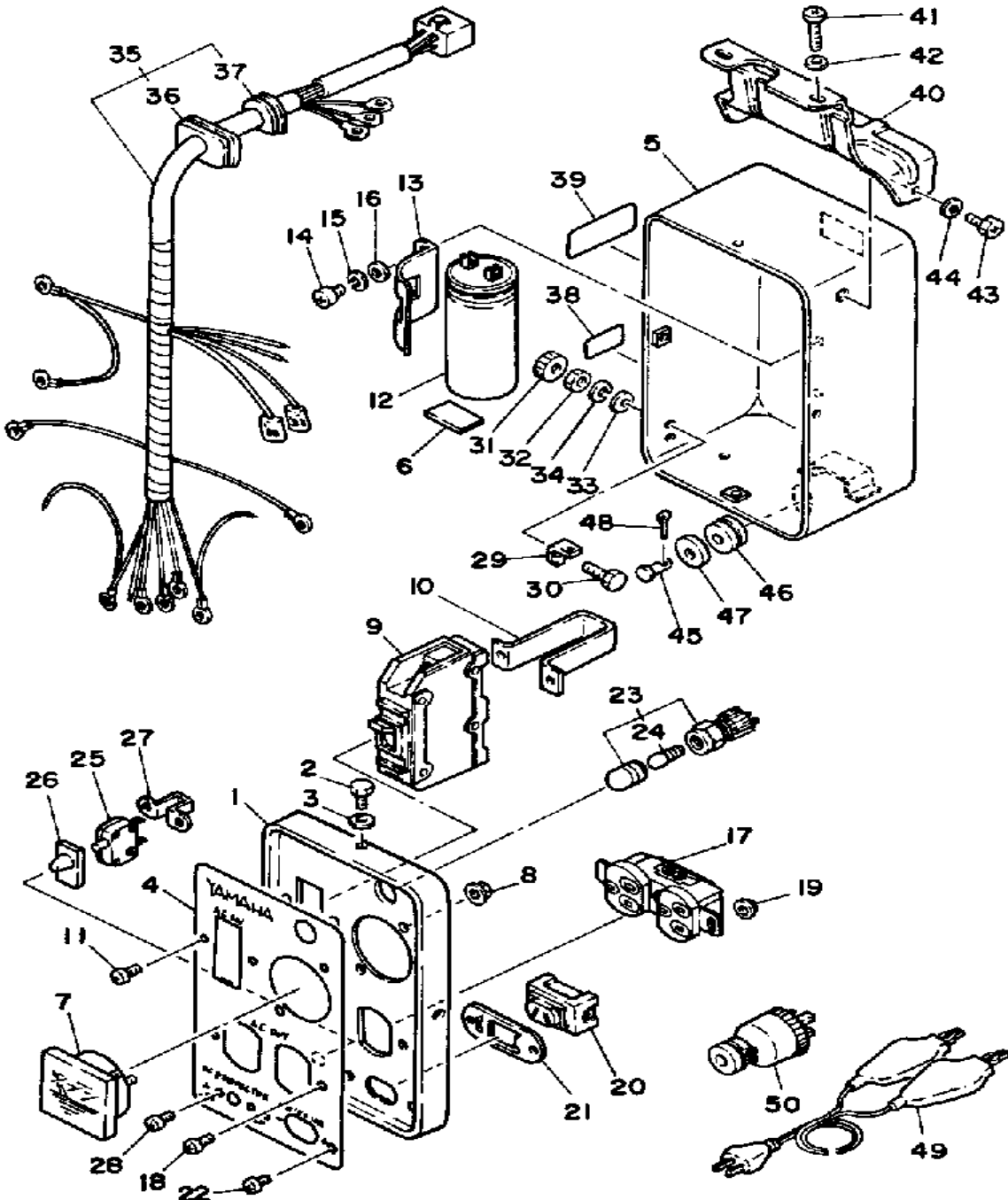
# GENERATOR (800101~)



7J0400-5100

Ref. No.	Part Number	Description	Qty	Remarks
29	97322-08190-00	BOLT, HEXAGON	1	
30	92990-08600-00	WASHER, PLATE	1	
31	92990-08100-00	WASHER	1	
32	98580-05010-00	SCREW, PAN HEAD	1	
33	92901-05600-00	WASHER, PLATE	1	

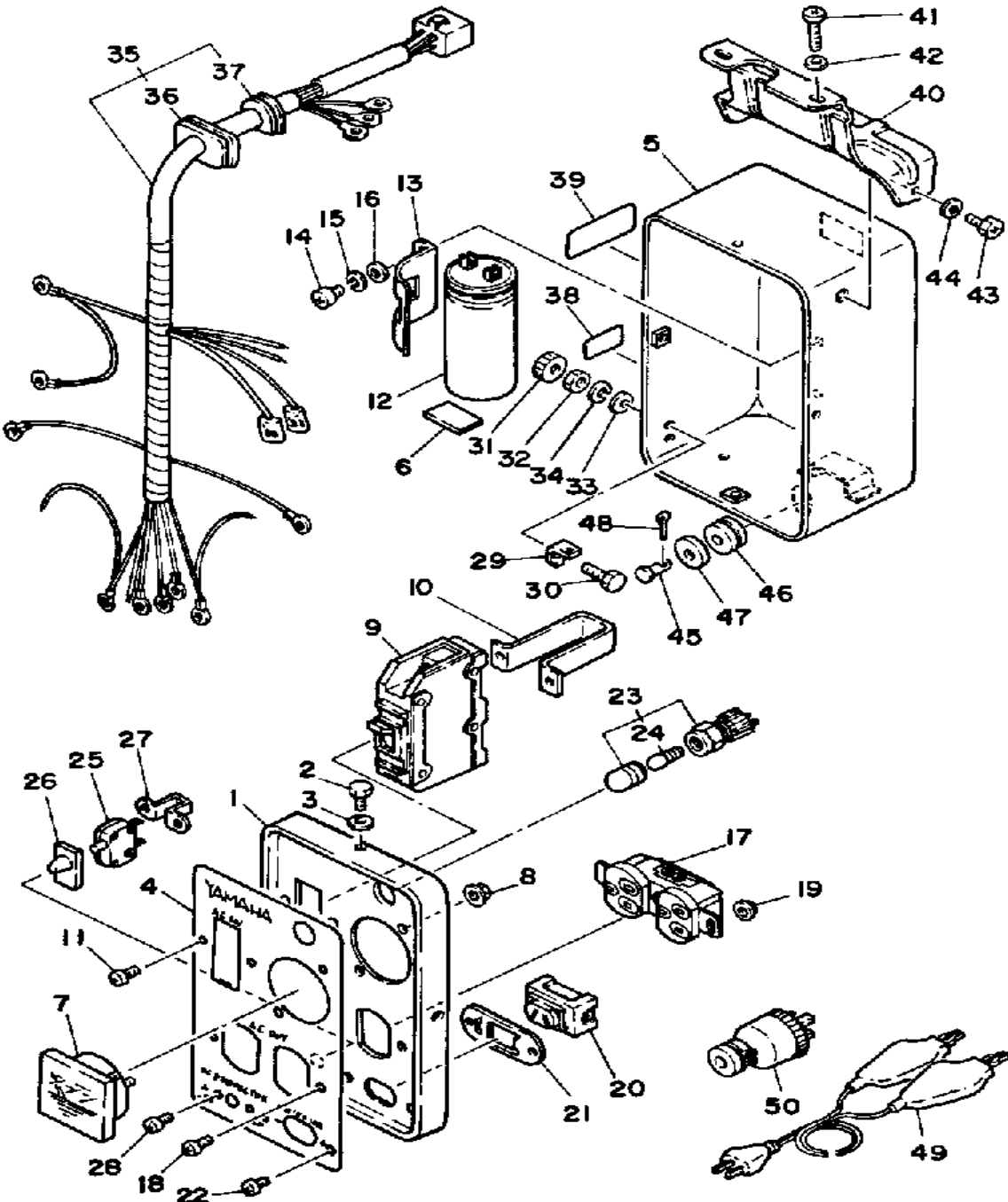
# CONTROL BOX (~800100)



Ref. No.	Part Number	Description	Qty	Remarks
1	7H5-87211-00-00	BOX, CONTROL (7H5-87211-00)	1	
2	97313-05010-00	BOLT, HEXAGON	4	
3	92901-05600-00	WASHER, PLATE	4	
4	7H6-87217-00-00	PLATE, CONTROL	1	
5	7H5-87213-00-86	COVER CONTROL BOX (7H5-87213-00)	1	
6	7H5-87219-00-00	DAMPER CONTROL	1	
7	7G5-87202-01-00	METER SUB ASSEMBLY	1	
8	90179-03478-00	NUT, SPEC'L SHAPE 0 2	2	
9	7N7-87204-00-00	BREAKERCIRCUIT (60HZ)	1	
10	7H5-87244-00-00	HOLDER, BREAKER	1	
11	98580-05008-00	SCREW, PAN HEAD (98501-05008-00)	2	
12	7V2-87107-02-00	CONDENSER ASSEMBLY (7V2-87107-00)	1	
13	7H5-87216-01-00	HOLDER, CONDENSER	1	
14	98580-05010-00	SCREW, PAN HEAD	2	
15	92990-05100-00	WASHER, SPRING	2	
16	92901-05600-00	WASHER, PLATE	2	
17	7N7-87221-00-00	CONSENT	1	
18	98580-04008-00	SCREW, PAN HEAD	2	
19	95701-04500-00	NUT, FLANGE	2	
20	7H5-87233-01-00	RECEPTACLE D.C.	1	
21	7H5-87235-00-00	HOLDER, RECEPTACLE	1	
22	98580-04008-00	SCREW, PAN HEAD	2	
23	7G5-87251-01-00	SOCKET, PILOT LAMP	1	
25	7G5-87254-00-00	. BULB, PILOT LAMP	1	
	7H5-82181-00-00	CIRCUIT BREAKERASSEMBLY	1	
26	7H5-82182-00-00	COVER, CIRCUIT BREAKER	1	
27	7H5-87248-02-00	HOLDER, BREAKER 2	1	

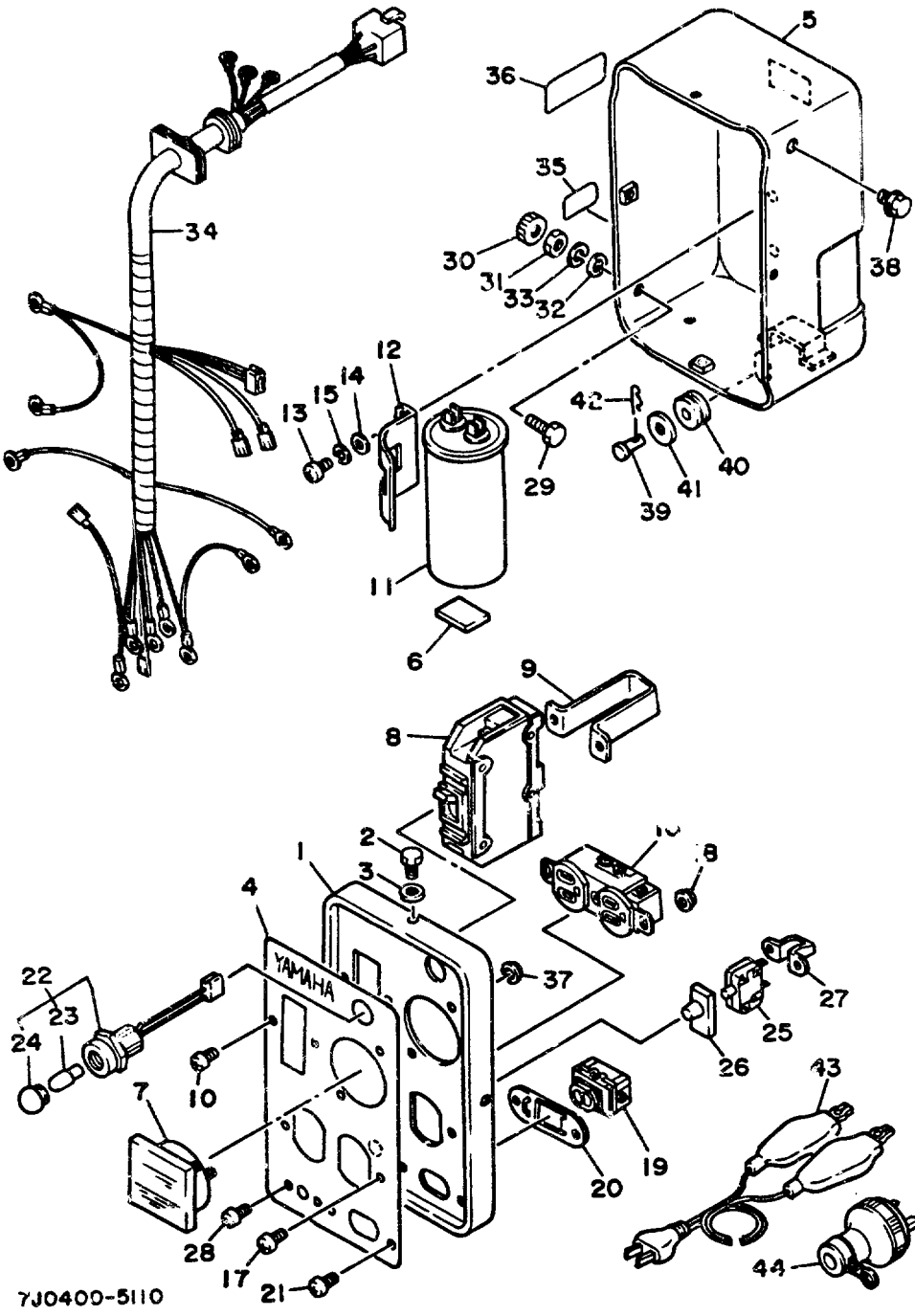
CONTINUED ON NEXT FRAME ➤

# CONTROL BOX (~800100)



Ref. No.	Part Number	Description	Qty	Remarks
28	98580-04008-00	SCREW, PAN HEAD	2	
29	90179-06300-00	NUT	1	
30	90101-06484-00	BOLT	1	
31	95380-06700-00	NUT	1	
32	92901-06600-00	WASHER	1	
33	92995-06100-00	WASHER, SPRING	1	
34	7H5-87241-00-00	HOLDER, EARTH	1	
35	7H5-87226-00-00	WIRE HARNESS	1	
36	90480-20271-00	. GROMMET	1	
37	90480-20272-00	. GROMMET	1	
38	7H6-87261-00-00	EMBLEM 1	1	
39	(7G6-87267-00-00)	EMBLEM	1	
40	796-22835-01-86	STAY, CONTROL BOX	1	NAIAD BLUE
41	98503-05025-00	SCREW, PAN HEAD (98501-05025)	2	
42	97013-06012-00	BOLT	2	
43	92901-06600-00	WASHER	2	
44	90240-06103-00	PIN, CLEVIS	1	
45	90480-14052-00	GROMMET	1	
46	90201-06067-00	WASHER, PLATE	1	
47	90468-10050-00	CLIP	1	
48	92990-05600-00	WASHER, PLATE	1	
49	7LG-87209-00-00	CHARGE CORD ASSEMBLY	1	
50	7G5-87236-00-00	PLUG A C RECEPTALE	2	

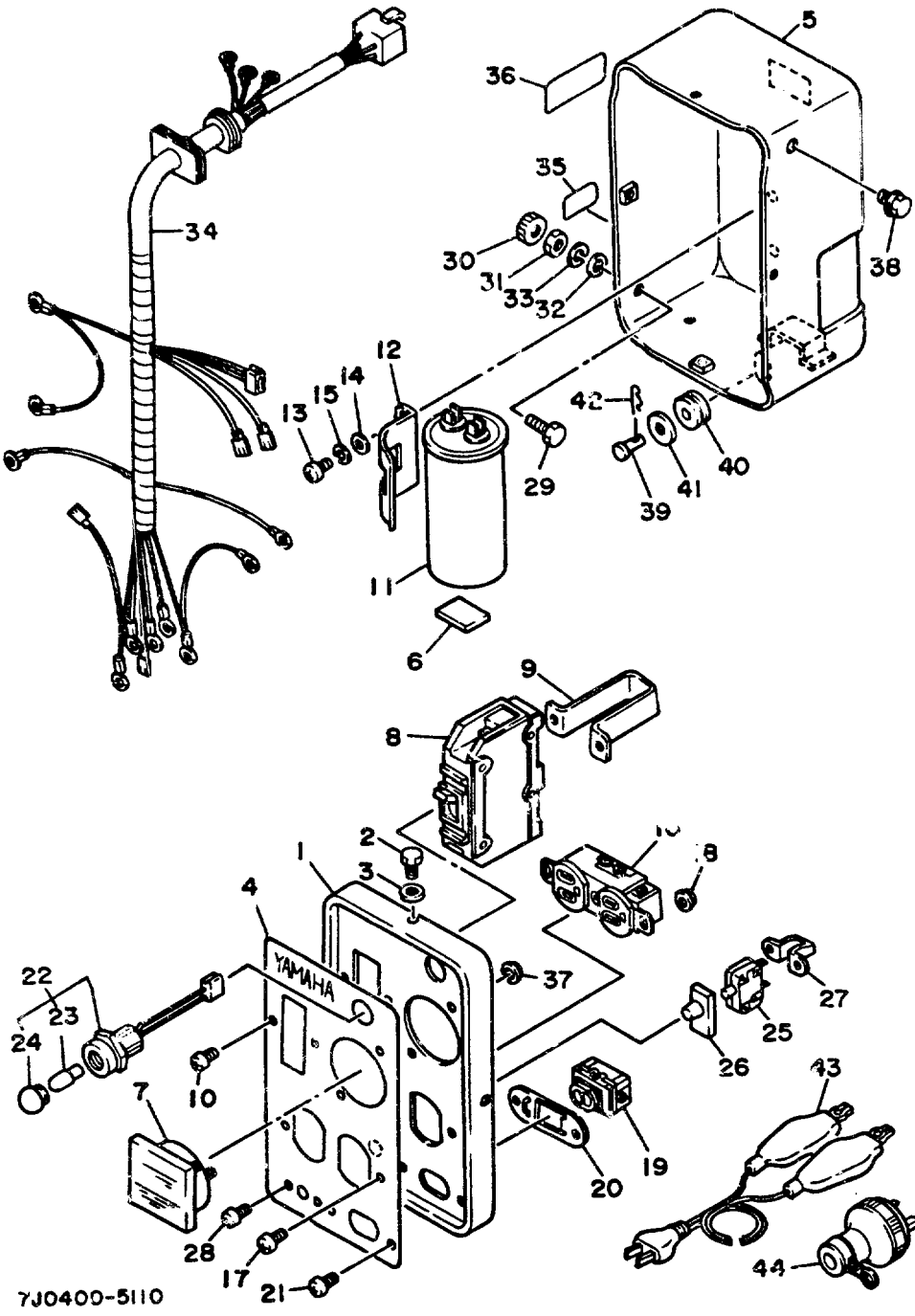
# CONTROL BOX (800101~)



Ref. No.	Part Number	Description	Qty	Remarks
1	7H5-87211-00-00	BOX, CONTROL (7H5-87211-00)	1	NAIAD BLUE
2	97313-05010-00	BOLT, HEXAGON .....	4	
3	92901-05600-00	WASHER, PLATE .....	4	
4	7H5-87213-01-86	COVER CONTROL BOX .....	1	NAIAD BLUE E/G NO. 802025
5	7H5-87219-00-00	DAMPER CONTROL .....	1	
6	7H6-87217-00-00	PLATE, CONTROL .....	1	
7	7G5-87202-01-00	METER SUB ASSEMBLY .....	1	
8	7R2-87204-10-00	BREAKER .....	1	10.A KM-1G
9	7H5-87244-00-00	HOLDER, BREAKER .....	1	
10	98580-05008-00	SCREW, PAN HEAD (98501-05008-00) .....	2	
11	7H5-87107-02-00	CONDENSER ASSEMBLY .....	1	
12	7H5-87216-01-00	HOLDER, CONDENSER .....	1	E/G NO. 802025
13	98580-05010-00	SCREW, PAN HEAD .....	2	
14	92901-05600-00	WASHER, PLATE .....	2	
15	92990-05100-00	WASHER, SPRING .....	2	
16	7N7-87221-00-00	CONSENT .....	1	MATSUSHITA WCZ1303-8N
17	98580-04008-00	SCREW, PAN HEAD .....	2	
18	95701-04500-00	NUT, FLANGE .....	2	
19	7H5-87233-01-00	RECEPTACLE D.C. ....	1	
20	7H5-87235-00-00	HOLDER, RECEPTACLE .....	1	
21	98580-04008-00	SCREW, PAN HEAD .....	2	
22	78G-87251-00-00	SOCKET, PILOT LAMP .....	1	
23	7G5-87254-00-00	. BULB, PILOT LAMP .....	1	
24	7G5-87252-00-00	. . LENS, PILOT LIGHT .....	1	
25	7G5-82181-00-00	CIRCUIT BREAKER COMP. ...	1	
26	7H5-82182-00-00	COVER, CIRCUIT BREAKER ..	1	
27	7H5-87248-02-00	HOLDER, BREAKER 2 .....	1	

CONTINUED ON NEXT FRAME ➤

# CONTROL BOX (800101~)



Ref. No.	Part Number	Description	Qty	Remarks
28	98580-04008-00	SCREW, PAN HEAD	2	
29	90179-06300-00	NUT	1	
30	90101-06484-00	BOLT	1	
31	95380-06700-00	NUT	1	
32	92990-06600-00	WASHER, PLATE	1	
33	92995-06100-00	WASHER, SPRING	1	
34	7H5-87226-01-00	WIRE HARNESS	1	E/G NO. 801801
35	73A-87261-00-00	EMBLEM 1	1	
36	(7G6-87267-00-00)	EMBLEM	1	
37	90179-03478-00	NUT, SPEC'L SHAPE 0 2	2	
38	95811-06012-00	BOLT, FLANGE	2	
39	90240-06103-00	PIN, CLEVIS	1	
40	90480-14052-00	GROMMET	1	
41	90201-06067-00	WASHER, PLATE	1	
42	90468-10050-00	CLIP	1	
43	7LG-87209-00-00	CHARGE CORD ASSEMBLY	1	
44	7G5-87236-00-00	PLUG A C RECEPTALE	2	

7J0400-5110