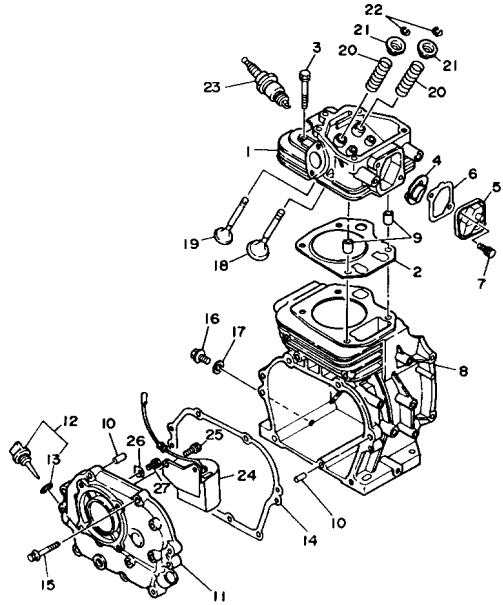




YAMAHA

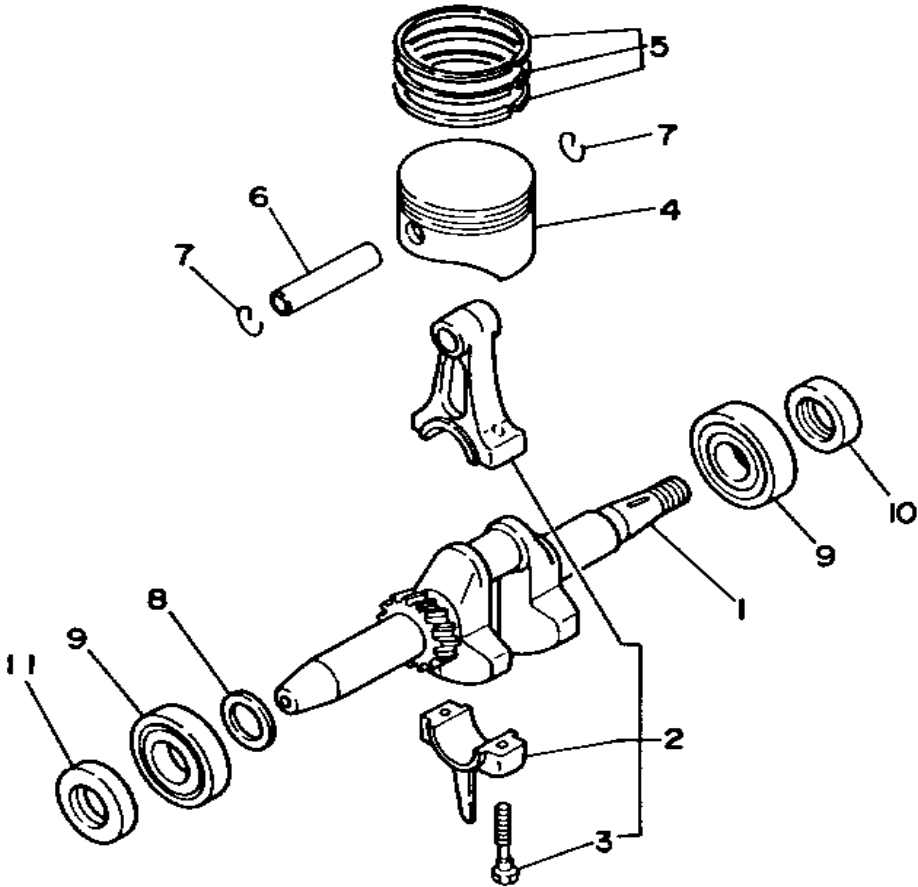
**GENUINE
PARTS CATALOGUE
OUTDOOR POWER EQUIPMENT**

CYLINDER - CRANKCASE



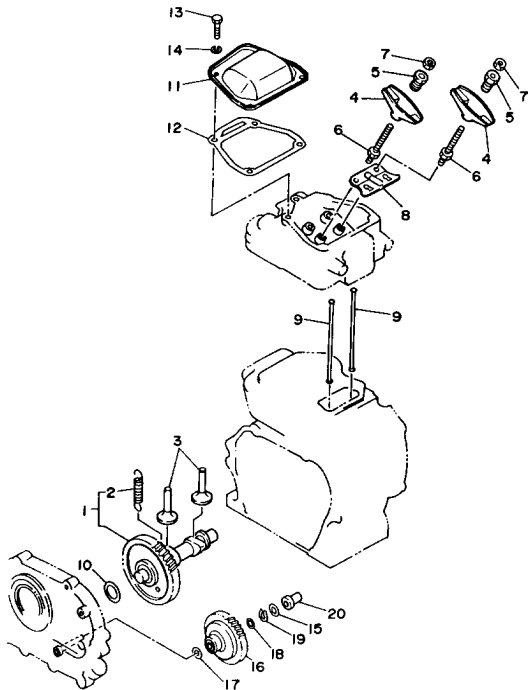
Ref. No.	Part Number	Description	Qty	Remarks
1	YF1-26530-30-41	HEAD, CYLINDER	1	
2	YF1-26530-33-12	GASKET, CYLINDER HEAD	1	
3	YF1-26310-34-52	BOLT, COVERHEAD	4	
4	YF1-26430-50-12	BREATHER ASSEMBLY	1	
5	YF1-26430-54-12	COVER, BREATHER	1	
6	YF1-26430-54-32	GASKET, BREATHER	1	
7	90109-06513-00	BOLT	2	
8	YF1-26570-21-12	CRANKCASE 1	1	
9	7LG-15181-00-00	PIN, DOWEL	2	
10	YF1-33259-45-11	PIN, STRAIGHT (YF1-33259-45-10)	2	
11	YF1-26570-10-51	COVER, CRANKCASE	1	
12	YF1-39013-30-81	PLUG OIL ASSEMBLY	1	
13	YF0-48110-01-60	GASKET, OIL PLUG	1	
14	YF1-26570-13-41	GASKET, CASE COVER	1	
15	YF1-39219-11-11	BOLT (YF1-39219-11-10)	7	
16	YF1-39013-37-51	PLUG, DRAIN (YF1-39013-37-50)	1	
17	YF0-47240-01-20	GASKET	1	
18	YF1-26531-31-12	VALVE, INTAKE	1	
19	YF1-26531-31-22	VALVE, EXHAUST	1	
20	YF1-26311-32-41	SPRING	2	
21	YF1-26311-33-31	RETAINER, SPRING	2	
22	YF1-26311-33-61	COTTER, VALVE	2	
23	94701-00198-00	PLUG, SPARK (NGK BPR6HS)	1	
24	YF1-26473-95-13	OIL LEVEL GAUGE ASSEMBLY	1	
25	7LG-15193-00-00	BOLT, CRANKCASE STUD 2	2	
26	YF1-26473-95-51	CLAMP, OIL LEVEL GAUGE	1	
27	90109-06513-00	BOLT	1	

CRANKSHAFT - PISTON



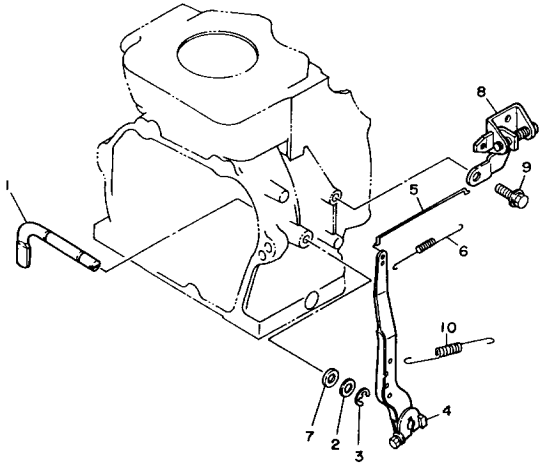
Ref. No.	Part Number	Description	Qty	Remarks
1	YF1-26572-30-31	CRANKSHAFT	1	
2	YF1-26532-20-11	CONNECTING ROD ASSEMBLY	1	
3	YF1-39212-21-42	. BOLT, CONNECTING ROD ..	2	
4	YF1-26572-11-11	PISTON (STD)	1	
	YF1-26572-19-11	PISTON (0.50MM O/S)	1	AP
	YF1-26572-19-21	PISTON (0.25MM O/S)	1	AP
5	YF1-26572-10-51	PISTON RING SET (STD)	1	
	YF1-26572-10-91	PISTON RING SET (0.50MM O/S)	1	AP
	YF1-26572-11-01	PISTON RING SET (0.25MM O/S)	1	AP
6	YF1-26312-13-11	PIN, PISTON	1	
7	YF1-36312-13-31	CIRCLIP	2	
8	YF1-36212-36-32	SHIM (0.25MM)	1	UR
	YF1-36212-36-42	SHIM (0.30MM)	1	UR
	YF1-36212-37-21	SHIM (0.20MM)	1	UR
9	93306-20529-00	BEARING (B6205C4)	2	
10	YF0-95000-00-23	OIL SEAL	1	
11	YF1-28660-44-61	OIL SEAL	1	

CAMSHAFT - VALVE



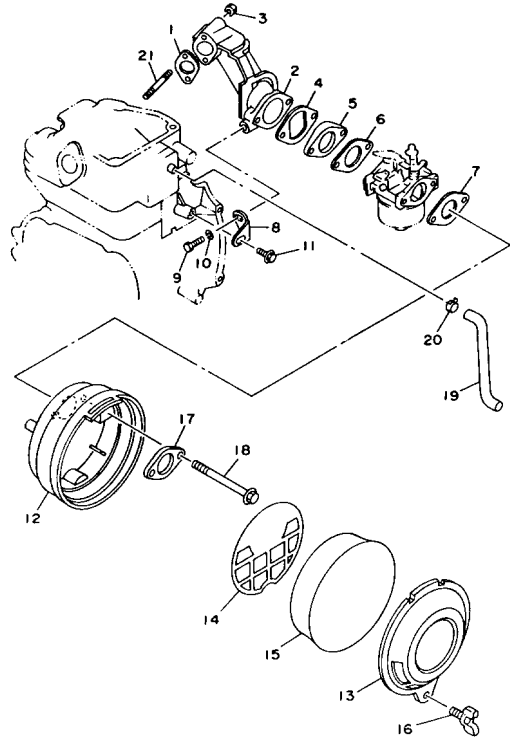
Ref. No.	Part Number	Description	Qty	Remarks
1	YF1-26571-60-11	CAMSHAFT ASSEMBLY	1	
2	YF1-23146-62-82	SPRING, DECOMPRESS (YF1-23146-62-80)	1	
3	YF1-26311-55-51	LIFTER, VALVE	2	
4	YF1-26311-41-11	ARM, VALVE ROCKER	2	
5	YF1-26311-42-31	PIVOT, ROCKER ARM	2	
6	YF1-26319-10-12	BOLT	2	
7	YF1-26311-42-41	NUT, LOCK	2	
8	YF1-26531-51-41	GUIDE, PUSH ROD	1	
9	YF1-26531-51-12	ROD, VALVE PUSH	2	
10	YF1-36221-66-32	SHIM (0.25MM)	1	UR
	YF1-36221-66-42	SHIM (0.30MM)	1	UR
	YF1-36221-67-21	SHIM (0.20MM)	1	UR
11	YF1-26431-45-11	COVER, CYLINDER HEAD	1	
12	YF1-26431-45-21	GASKET, CYLINDER	1	
13	97313-06014-00	BOLT, HEXAGON	4	
14	92995-06100-00	WASHER, SPRING	4	
15	YF1-26475-54-61	WASHER, THRUST (YF1-26475-54-60)	1	
16	YF1-26475-52-91	FLYWEIGHT SHAFT ASSEMBLY	1	
17	90201-06057-00	WASHER, PLATE	1	
18	YF1-36415-53-33	WASHER	1	
19	YF1-36415-53-63	STOPPER	1	
20	YF1-39015-54-51	COLLAR	1	

GOVERNOR



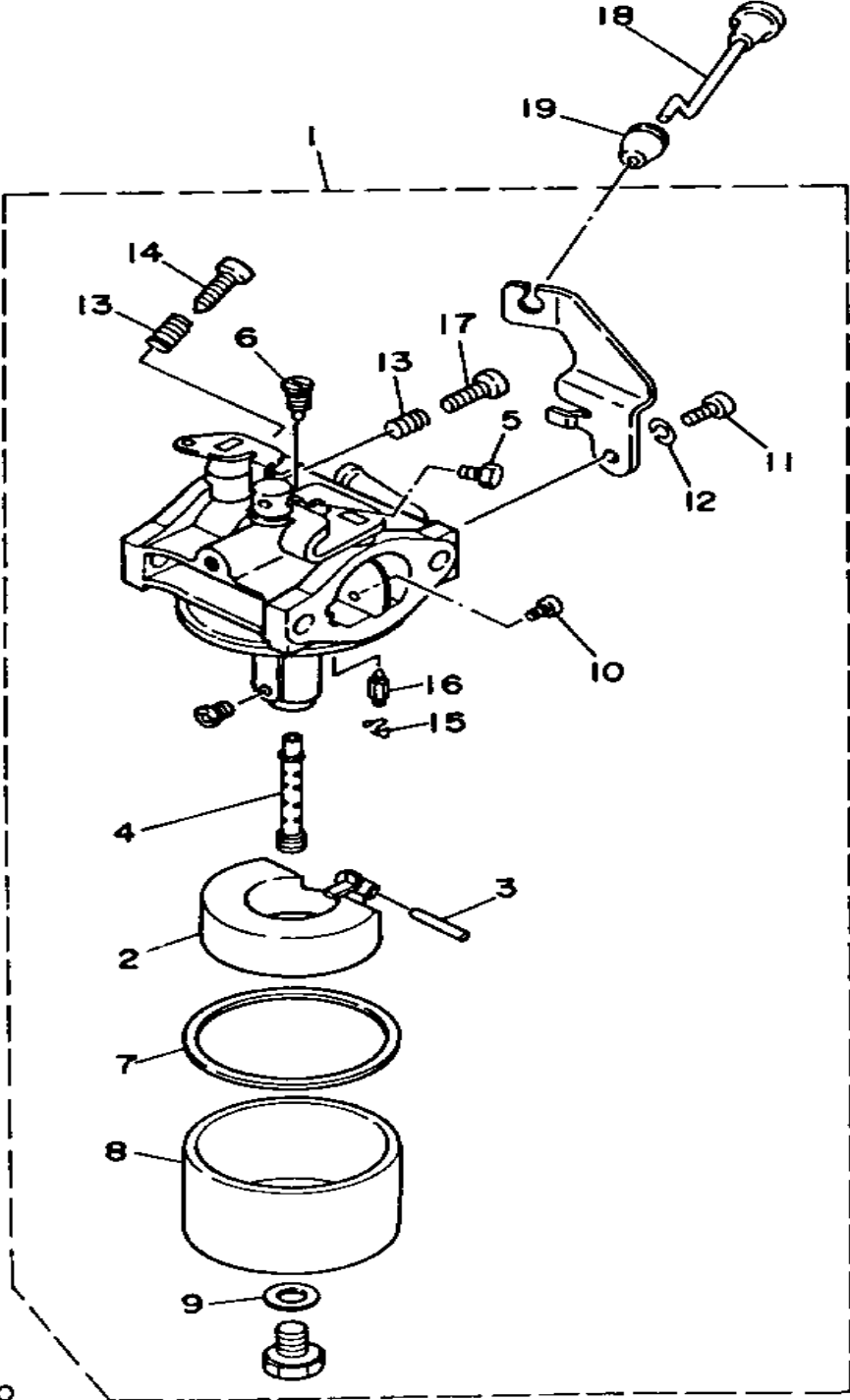
Ref. No.	Part Number	Description	Qty	Remarks
1	YF1-26435-61-01	GOVERNOR SHAFT	1	
2	7LG-11952-00-00	PLATE	1	
3	YF0-46135-00-70	CIRCLIP	1	
4	YF1-26535-60-22	ARM, GOVERNOR	1	
5	YF1-26535-63-51	ROD, LINK	1	
6	YF1-26535-63-91	SPRING, COIL	1	
7	YF1-36415-62-41	GASKET (YF1-36415-62-40) ...	1	
8	YF1-26475-70-11	CONTROLLER ASSEMBLY (YF1-26475-70-10)	1	
9	7LG-11982-00-00	BOLT, HOLDER	1	
10	90506-12434-00	SPRING, TENSION	1	

AIR FILTER



Ref. No.	Part Number	Description	Qty	Remarks
1	YF1-26571-18-21	GASKET, MANIFOLD	1	
2	YF1-26531-18-12	MANIFOLD, INTAKE	1	
3	95701-06500-00	NUT, FLANGE	2	
4	YF1-26574-61-61	GASKET	1	
5	YF1-26534-61-52	JOINT	1	
6	YF1-26474-61-11	GASKET, HOLDER	1	
7	YF1-26471-15-11	GASKET	1	
8	YF1-26431-17-91	BRACKET (YF1-26431-17-90) ..	1	
9	97013-06012-00	BOLT	1	
10	92995-06100-00	WASHER, SPRING	1	
11	90109-06513-00	BOLT	1	
12	7NB-14411-00-00	CASE, AIR CLEANER 1	1	
13	7NB-14412-00-00	CAP, CLEANER CASE 1	1	
14	7NB-14468-00-00	PLATE, ELEMENT FITTING ...	1	
15	7NB-14451-00-00	ELEMENT, AIR CLEANER	1	
16	90122-06017-00	BOLT, WING	1	
17	7NB-14477-00-00	PLATE	1	
18	95811-06075-00	BOLT, FLANGE	2	
19	7NB-15373-00-00	PIPE, BREATHER	1	
20	90467-11044-00	CLIP	2	
21	YF1-26439-15-11	BOLT, STUD (IN)	2	

CARBURETOR

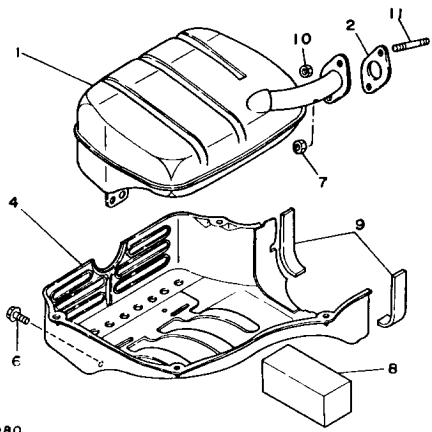
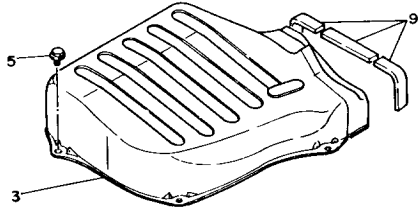


7NC1010-3070

Ref. No.	Part Number	Description	Qty	Remarks
1	7NC-14101-00-00	CARBURETOR ASSEMBLY 1	1	
2	7LG-14185-00-00	. FLOAT	1	
3	22F-14186-00-00	. PIN, FLOAT	1	
4	830-1423A-70-00	. JET, MAIN (#97.5)	1	
5	7LL-1495E-6A-00	. NOZZLE, MAIN	1	
6	620-1414J-16-00	. JET, PILOT (#41.3)	1	
7	7G0-14184-00-00	. GASKET, FLOAT CHAMBER	1	
8	7G0-14181-00-00	. BODY, FLOAT CHAMBER 1	1	
9	7G0-14227-00-00	. WASHER	1	
10	73A-14486-00-00	. SCREW, ROD	1	
11	98580-05008-00	. SCREW, PAN HEAD (98501-05008-00)	1	
12	92990-05100-00	. WASHER, SPRING	1	
13	73A-14212-00-00	. SPRING	2	
14	7LV-14211-00-00	. SCREW, PILOT ADJUSTING	1	
15	7EG-14159-00-00	. CLIP	1	
16	7LG-14150-11-00	. NEEDLE ASSEMBLY	1	
17	7LG-14990-00-00	. SCREW	1	
18	7NB-14583-00-00	LEVER, CHOKE	1	
19	796-14445-00-00	GROMMET	1	

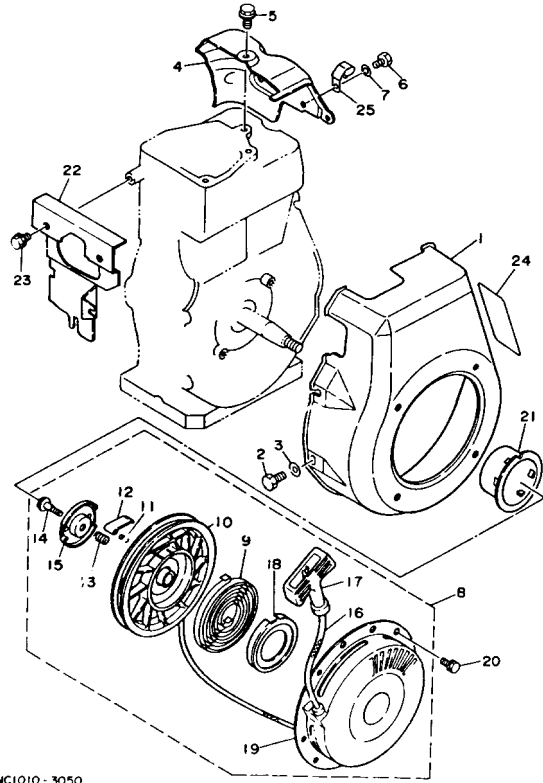
EXHAUST

Ref. No.	Part Number	Description	Qty	Remarks
1	7NC-14780-00-00	SPARK ARRESTER ASSEMBLY	1	
2	YF1-26571-22-31	GASKET, EXHAUST	1	
3	7LL-14718-00-98	PROTECTOR, MUFFLER 1	1	LOW GLOSS BLACK
4	7LL-14728-00-98	PROTECTOR, MUFFLER 2	1	LOW GLOSS BLACK
5	95826-06010-00	BOLT, FLANGE	5	
6	95811-06016-00	BOLT, FLANGE (95822-06016)	2	
7	90170-06328-00	NUT	1	
8	7LG-12658-00-00	DAMPER, AIR SHROUD 1	1	
9	7LL-22875-00-00	SEAL 3	5	
10	95601-06200-00	NUT, U FLANGE	1	
11	7LG-14661-00-00	BOLT, STUD	2	



7NC1010-3080

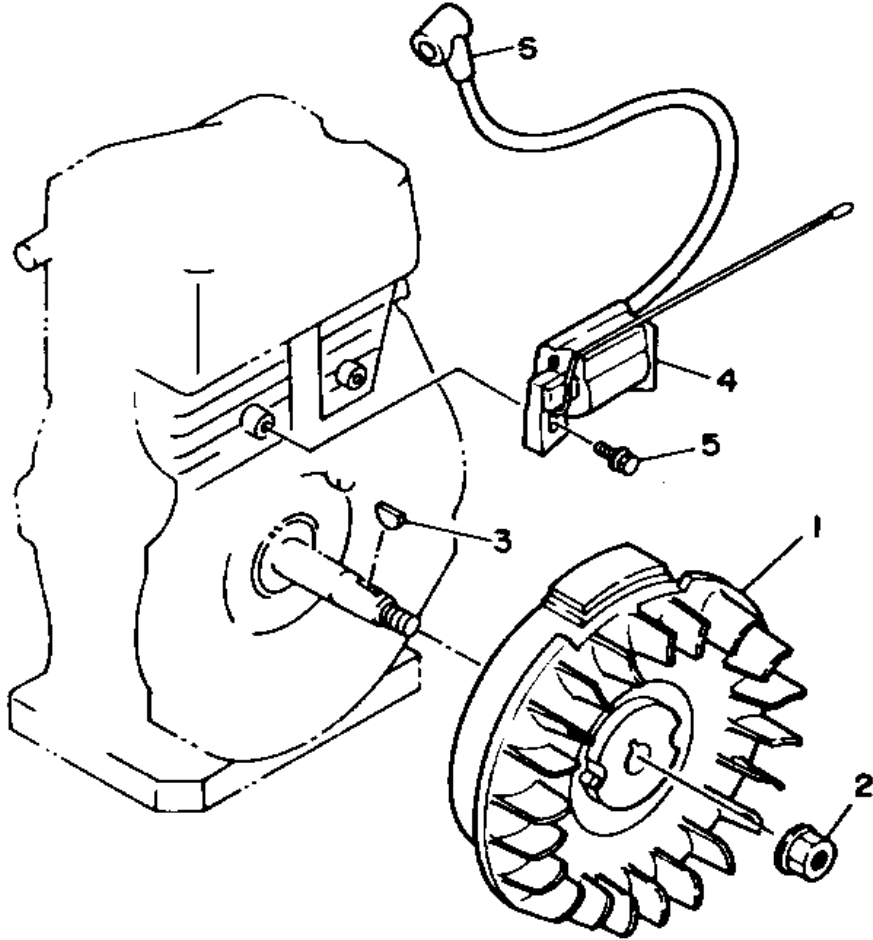
AIR SHROUD - STARTER



7NC1010 - 3050

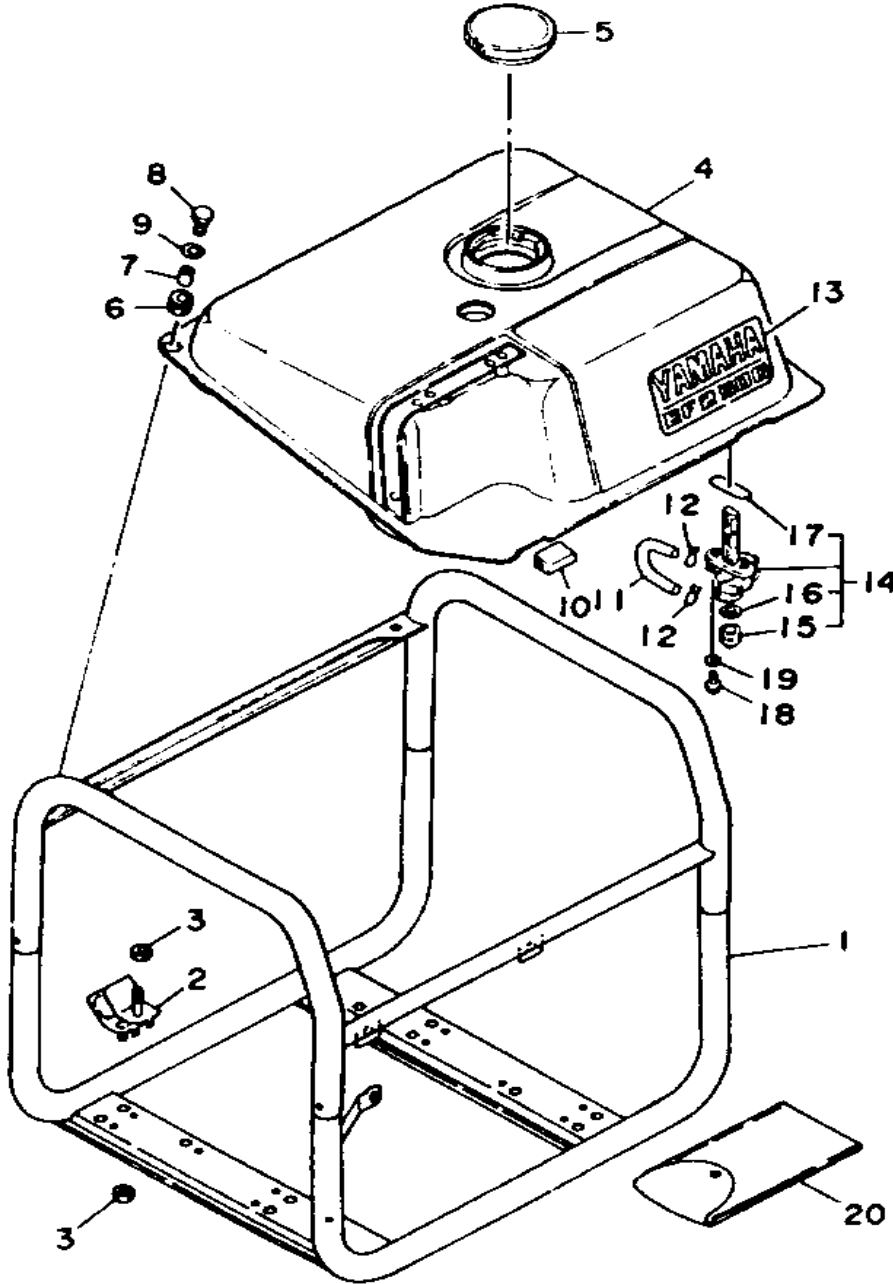
Ref. No.	Part Number	Description	Qty	Remarks
1	YF1-26577-40-41	CASE, FAN	1	
2	97013-06012-00	BOLT	4	
3	92990-06600-00	WASHER, PLATE	4	
4	YF1-26577-44-81	AIR SHROUD, CYLINDER 1 ...	1	
5	90109-06513-00	BOLT	1	
6	97002-08012-00	BOLT	1	
7	92902-08100-00	WASHER, SPRING	1	
8	YF1-26476-10-81	STARTER ASSEMBLY	1	
9	YF1-26476-15-41	. SPRING, STARTER	1	
10	YF1-26476-15-21	. DRUM, SHEAVE	1	
11	7X9-15743-00-00	. CLIP, DRIVE PAWL	2	
12	YF1-26476-15-31	. PAWL, DRIVE	2	
13	YF1-36266-18-51	. SPRING, DRIVE PLATE	1	
14	7X9-15768-00-00	. BOLT	1	
15	YF1-26476-16-21	. PLATE, DRIVE	1	
16	YF1-23546-16-51	. WIRE, STARTER	1	
17	YF1-25216-16-71	. HANDLE, STARTER	1	
18	YF1-26476-16-01	. CASE, SPRING	1	
19	YF1-26476-15-51	. CASE, STARTER	1	
20	7LG-15768-01-00	BOLT	4	
21	YF1-26576-17-41	PULLEY, STARTER	1	
22	7LL-12652-01-00	AIR SHROUD, CYLINDER 2 ...	1	
23	95023-08012-00	BOLT	2	
24	7NC-24163-40-00	EMBLEM 3	1	
25	90465-06100-00	CLAMP	1	

MAGNETO



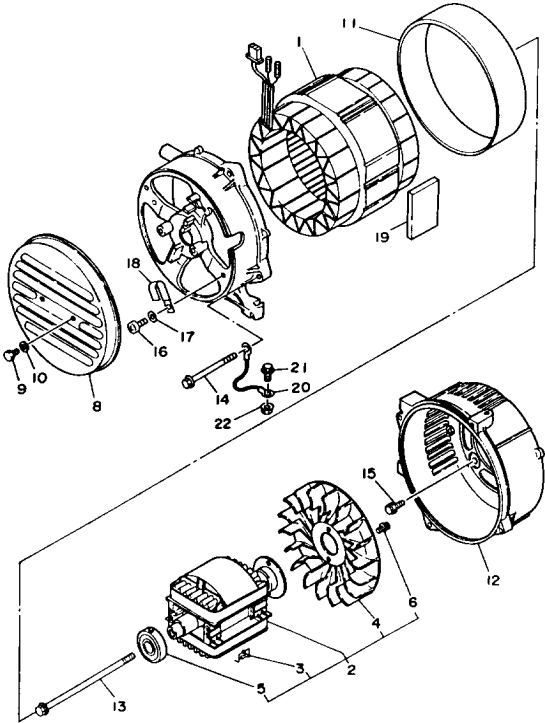
Ref. No.	Part Number	Description	Qty	Remarks
1	YF1-26576-77-52	ROTOR ASSEMBLY	1	
2	7LL-11459-00-00	NUT, SPECIAL	1	
3	YF1-23319-52-31	KEY, WOODRUFF (YF1-23319-52-30)	1	
4	YF1-26436-70-51	T.C.I. UNIT ASSEMBLY	1	
5	YF1-38019-11-21	BOLT (YF1-38019-11-20)	2	
6	YF1-39216-77-21	CAP, SPARK PLUG (YF1-39216-77-20)	1	

FRAME - FUEL TANK



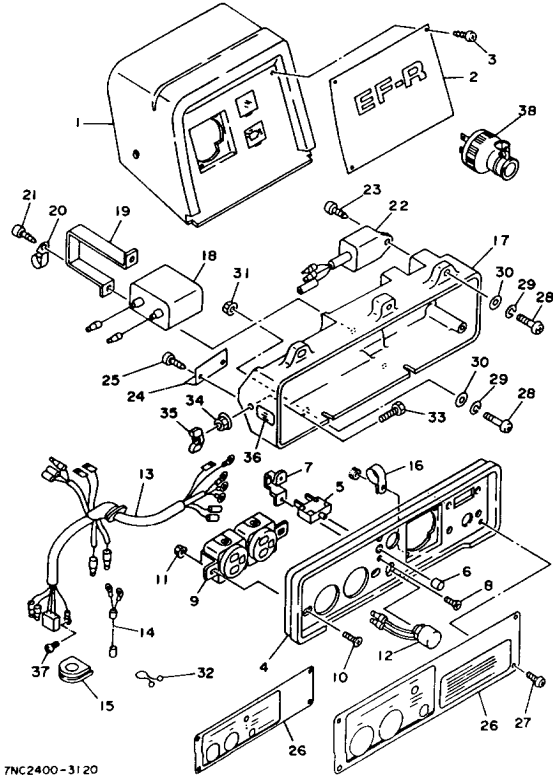
Ref. No.	Part Number	Description	Qty	Remarks
1	7NB-22810-00-00	FRAME ASSEMBLY	1	
2	7LG-22891-00-00	INSULATOR, MOUNTING	4	
3	95701-08500-00	NUT, FLANGE	8	
4	7NB-24110-20-NJ	FUEL TANK COMP.	1	FARAWAY BLUE
5	7V5-24610-01-00	CAP ASSEMBLY	1	
6	90480-12475-00	GROMMET	2	
7	90387-08747-00	COLLAR	2	
8	97011-06020-00	BOLT	2	
9	90201-06067-00	WASHER, PLATE	2	
10	7LG-24181-00-00	DAMPER, LOCATING 1	2	
11	7LG-24311-00-00	PIPE, FUEL 1	1	
12	90467-09006-00	CLIP	2	
13	7LL-24161-10-00	EMBLEM 1	1	
14	7H5-24500-01-00	FUEL COCK ASSEMBLY 1	1	
15	7J3-24521-00-00	. CUP, FILTER	1	
16	4X8-24565-00-00	. GASKET	1	
17	2W6-24512-00-00	. O-RING	1	
18	90149-06011-00	SCREW	2	
19	90202-05193-00	WASHER, PLATE	2	
20	50W-28100-00-00	TOOL KIT	1	

GENERATOR



Ref. No.	Part Number	Description	Qty	Remarks
1	7NC-87150-60-00	STATOR ASSEMBLY	1	
2	7NC-87160-00-00	ROTOR ASSEMBLY	1	
3	75J-87115-01-00	. RECTIFIER ASSEMBLY 2	1	
4	7LG-87172-00-00	. FAN, GENERATOR	1	
5	93306-20345-00	. BEARING	1	
6	90159-06032-00	. SCREW, WITH WASHER	2	
7	7LG-87131-00-00	FRAME, REAR	1	
8	7NB-87174-00-00	COVER, REAR END	1	
9	97011-06010-00	BOLT	2	
10	92901-06600-00	WASHER	2	
11	7LL-87153-00-00	COVER, STATOR	1	
12	7LG-87121-00-00	FRAME, FRONT	1	
13	7LL-81152-00-00	BOLT	1	
14	95822-06110-00	BOLT, FLANGE	4	
15	95821-08020-00	BOLT, FLANGE (95801-08020)	4	
16	98580-05010-00	SCREW, PAN HEAD	1	
17	92901-05600-00	WASHER, PLATE	1	
18	90465-08146-00	CLAMP	1	
19	7LG-87159-00-00	SEAL, STATOR	4	
20	7LG-87139-00-00	LEAD WIRE ASSEMBLY 2	1	
21	95811-06010-00	BOLT, FLANGE	1	
22	95701-06500-00	NUT, FLANGE	1	

CONTROL BOX

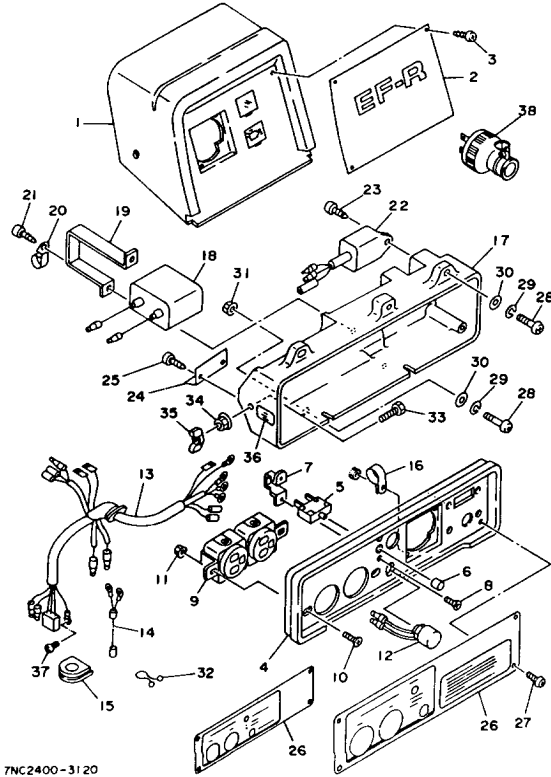


7NC2400-3120

Ref. No.	Part Number	Description	Qty	Remarks
1	7LG-87201-00-00	BOX, CONTROL 2 (7LG-87212-00-00)	1	
2	7NB-87249-10-00	PLATE	1	
3	97706-50010-00	SCREW, TAPPING	3	
4	7NC-87211-60-00	BOX, CONTROL	1	
5	7NC-82181-60-00	CIRCUIT BREAKER COMP.	1	
6	7H5-82182-00-00	COVER, CIRCUIT BREAKER	1	
7	7H5-87248-02-00	HOLDER, BREAKER 2	1	
8	98701-04010-00	SCREW, FLAT HEAD	2	
9	77V-87221-00-00	RECEPTACLE	1	
10	98701-04010-00	SCREW, FLAT HEAD	2	
11	95701-04500-00	NUT, FLANGE	2	
12	7L6-82550-00-00	ENGINE STOP SWITCH ASSEMBLY	1	
13	7NC-87226-40-00	WIRE HARNESS ASSEMBLY	1	
14	7NC-87224-60-00	WIRE, LEAD 2	1	
15	7NB-87127-00-00	GROMMET	1	
16	80L-26397-00-00	BAND	1	
17	7G5-87213-02-00	COVER, CONTROL BOX	1	
18	7NB-87107-00-00	CONDENSER ASSEMBLY	1	
19	7NB-87216-00-00	HOLDER, CONDENSER	1	
20	90465-06332-00	CLAMP	1	
21	97780-60512-00	SCREW, TAPPING	2	
22	7NB-85590-00-00	CONTROL UNIT ASSEMBLY	1	
23	97702-60120-00	SCREW, TAPPING (97702-60520-00)	1	
24	7NB-87179-00-00	PLATE, COUPLER	1	
25	97780-30512-00	SCREW, TAPPING (97702-30512-00)	2	
26	7NC-87217-40-00	PLATE, CONTROL	1	

CONTINUED ON NEXT FRAME ►

CONTROL BOX



7NC2400-3120

Ref. No.	Part Number	Description	Qty	Remarks
27	97706-40625-00	SCREW, TAPPING	4	
28	98516-06020-00	SCREW, PAN HEAD	3	
29	92906-06100-00	WASHER, SPRING	3	
30	92906-06600-00	WASHER	3	
31	95706-06500-00	NUT, FLANGE	1	
32	90465-18147-00	CLAMP	1	
33	97011-06020-00	BOLT	1	
34	95701-06500-00	NUT, FLANGE	1	
35	90175-06008-00	NUT, WING	1	
36	7H6-87261-00-00	EMBLEM 1	1	
37	98580-05010-00	SCREW, PAN HEAD	1	
38	7G7-87236-00-00	PLUG, AC RECEPTACLE	1	