



PARTS CATALOGUE

MODEL YEAR 1999

EF2600A (7UU2)

COLOR CODE	COLOR NAME	ABBREVIATION
ONJ	PARAWAY BLUE	FAB

FOREWORD

-INTRODUCTION- To The Yamaha Parts Fiche

This parts fiche lists parts and sub-assemblies for the EF2600A. When preparing a parts order, please refer to the most recently updated microfiche for this model.

THE YAMAHA PARTS FICHE

SYMBOLS

[]	Inactive, no longer available
U.R.	Use size (thickness) and/or number as required
U.N.	Use as many as you need
T	Number of teeth in a gear
V	Voltage for light bulbs
S	"S" type oil seal or "S" type circlip
SD,SO,SW	"SD", "SO", or "SW" type oil seal
E,R	"E" or "R" type circlip
F/No.	Frame No. (Applicable Machine No.)
L.M.	Locally made
O.L.	Obtain locally
AP	Alternate Part

SUPERSEDED PART NUMBERS

If part 'A' has been superseded by part 'B', the superseding part number "B" will appear in the part number listing with the superseded part number "A" appearing in parentheses immediately following the description.

EXAMPLE:

Ref. No.	Part No.	Description	Qty.
8	(Part 'B') 796-15711-05-86	(Part 'A') CASE, STARTER (796-15711-03-86)	1

A part that has been supersede to a kit may be identified by a 99999-00000-00 part number appearing in the part number column. The old superseded part number will appear in parentheses immediately following the description. Listed directly below the 99999 part number will be those parts making up the kit. The description of the parts making up the kit will be preceded by a small black dot (.) and the description will be indented one letter space.

EXAMPLE:

Ref. No.	Part No.	Description	Qty.
8	99999-12345-00	CYLINDER (111-12345-00-00)	1
	234-56789-00-00	• HEAD, CYLINDER	1
	345-67890-00-00	• GASKET, CYLINDER	1

SIZES

Except for steel balls (ball sizes are indicated in inches), all parts sizes are indicated in millimeters as in the following examples:

Hose (Rubber or Vinyl)	Inside Diameter - Length
O-Ring	Section Area - Inside Diameter
Washer, Shim, Collar	Inside Diameter - Outside Diameter Thickness (Length)

ASSEMBLIES AND COMPONENT PARTS

Assemblies and their component parts, are identified by an indentation of one letter space, and the description is preceded by a dot (.). If two main assemblies are listed, and have the same basic description (i.e.: left and right sides of the same assembly), one will immediately follow the other. If each of these main assemblies is made up of almost the same components, these component parts will be listed immediately under the second main assembly line and will be indicated, as noted above.

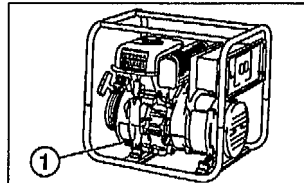
If the component is the same for both main assemblies, the quantity indicated will be the total required. If the component is not the same for both main assemblies, the quantity for each separate item will be listed separately.

EXAMPLE:

Description	Qty
CARBURETOR ASSY, LEFT	1
CARBURETOR ASSY, RIGHT	1
. JET, PILOT	2
. NOZZLE, MAIN	2
. LEVER, STARTER, LEFT	1
. LEVER, STARTER, RIGHT	1

APPLICABLE SERIAL NO.

(1) Serial No.

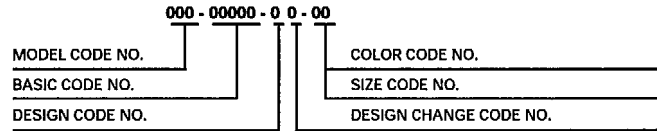


FOREWORD

THE YAMAHA PART NUMBER

The Yamaha part number consists of 12 digits. Each number represents a specific piece of information relating to a replacement part. The following is a guide for reading and interpreting the Yamaha part number.

BASIC PART NUMBER CONFIGURATION:



MODEL CODE NUMBER

FIRST THREE DIGITS . . . 000-00000-00-00

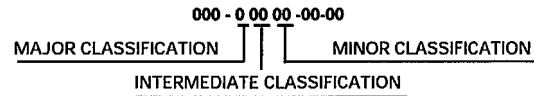
Every model in each Yamaha product line is assigned a model number to identify that particular model. All component parts are given the model code number relating to the model on which they were first used.

Example: 7J0-00000-00-00 identifies the EF2000.
7J4-00000-00-00 identifies the EF2800.

BASIC CODE NUMBER

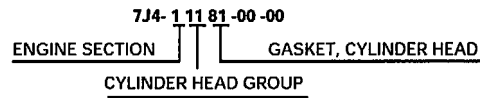
MIDDLE FIVE DIGITS . . . 000-00000-00-00

These "Middle Five Digits" indicate the type of part i.e., piston, rings, lower units, etc. The five digits are broken down as follows:



The "Major Classification" indicates the section to which the parts belong, i.e., engine, electrical etc. The "Intermediate" and "Minor Classifications" indicate more specific details.

Example:



DESIGN CODE NUMBER: 000-00000-00-00

The design code distinguishes like component parts from one another when specification differences are involved. For example, distinguishing a standard size piston ring from an oversized piston ring.

Example:

7J4-11610-00-00 Standard Piston Ring Set for EF2800
7J4-11610-01-00 Oversize Piston Ring Set for EF2800

DESIGN CHANGE CODE NUMBER: 000-00000-00-00

This code number is used to identify a difference between a new component part and old one when a new part is created by changing the old one.

Example: EF2800

7J4-11610-00-00 PISTON RING SET, STD. - ORIGINAL
7J4-11610-01-00 PISTON RING SET, STD. - FIRST DESIGN CHANGE

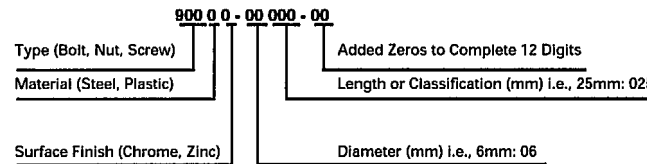
Only major changes to performance, durability, quality, appearance, cost or interchangeability will affect a part number change.

COLOR CODE & SIZE CODE NUMBER: 000-00000-00-00

When applicable, the last two digits of the part number identify:

1. Color Code: The painted color or type of plating or surface treatment used on certain parts.
2. Size Code: The last two digits are also used to show the size of parts (mm). Such as the thickness of shims or the size of pistons.

HARDWARE (Fastener) PART NUMBER CONFIGURATION:



TYPE:

A fastener part number always begins with the number "9" followed by either a 0, 1, 2, 3, 4, 5, 6, 7 or 8 designating one of eight major divisions within this group.

FOREWORD

Example:

- 9 0 000-00000-00 "0" designates various types.
- 9 1 000-00000-00 "1" designates bolts, cotter pins, etc.
- 9 2 000-00000-00 "2" designates screw, nuts, etc.
- 9 3 000-00000-00 "3" designates oil seals, o-rings, bearings, etc.
- 9 4 000-00000-00 "4" designates spark plugs.
- 9 5 000-00000-00 "5" designates bolts and nuts.
- 9 7 000-00000-00 "7" designates ISO bolts.
- 9 8 000-00000-00 "8" designates ISO screws and nuts.

The only major divisions which the mechanic should become familiar with are those related to the general hardware (nuts, bolts, and washers), since these are the most commonly used and most often replaced items. By knowing how to interpret the part number, the dimensions of a piece of hardware can be determined. This can be very helpful during major engine repair, and general parts replacement.

BOLT EXAMPLE:

91311 - 06 018 - 00

6mm outside diameter 18mm in length

EXCEPTION:

It is NOT possible to identify the LENGTH of bolts having a 901 prefix. Only the bolt diameter can be identified with this number.

NUT AND WASHER EXAMPLE:

95301 - 08600 - 00 NUT

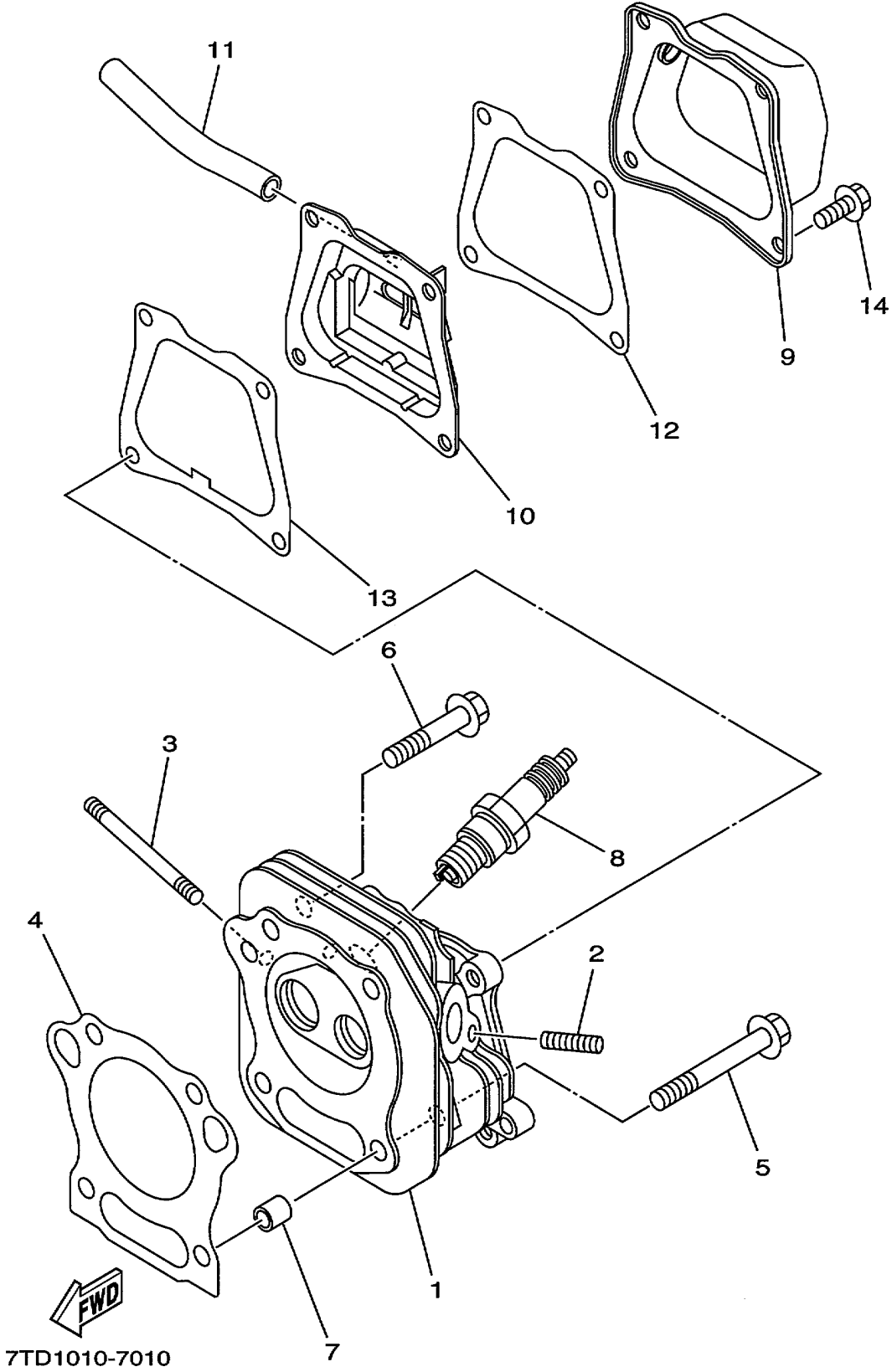
8mm inside diameter

90201 - 25290 - 00 WASHER

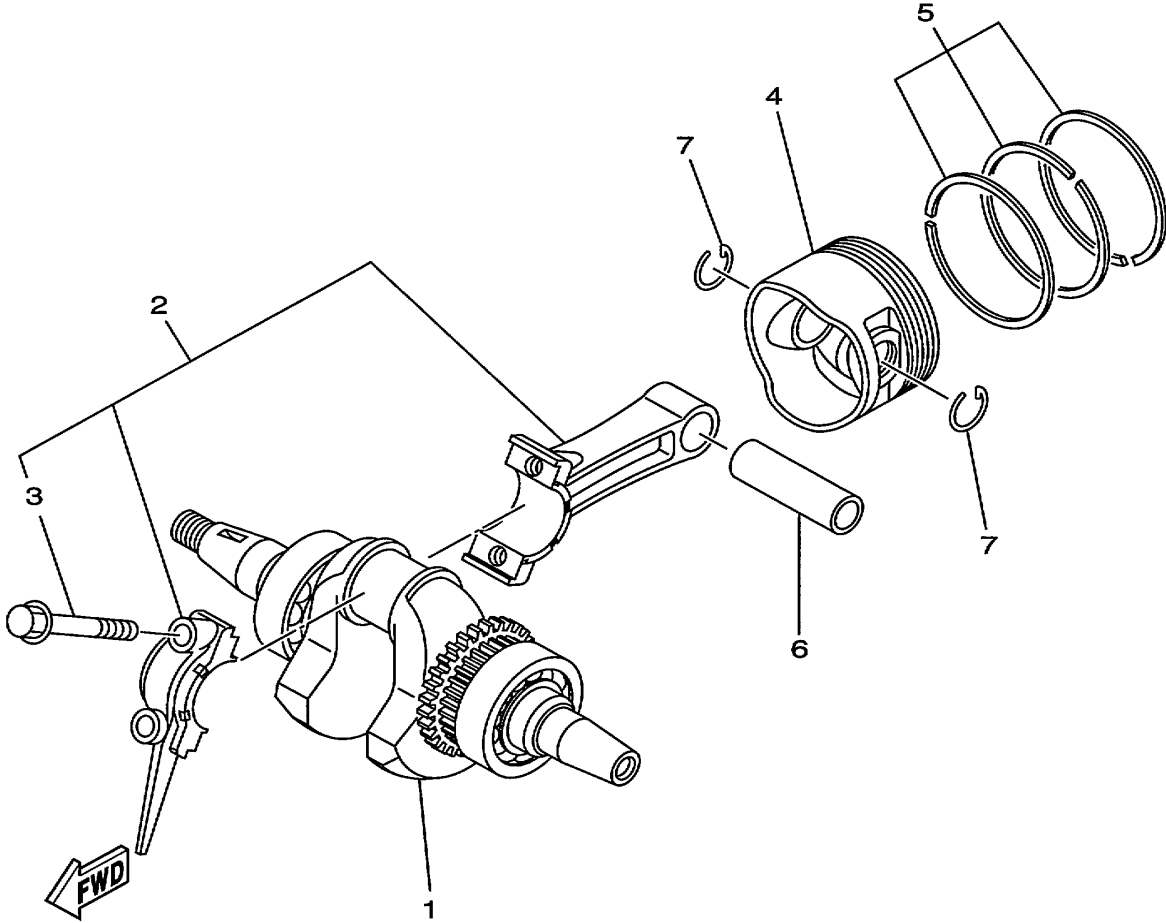
25mm inside diameter

CYLINDER

Ref. No.	Part Number	Description	Qty	Remarks
1	7NJ-11111-00-00	HEAD, CYLINDER 1	1	
2	95607-06615-00	BOLT, STUD	2	
3	90116-06493-00	BOLT, STUD	2	
4	7NJ-11181-00-00	GASKET, CYLINDER HEAD 1 .	1	
5	95827-08065-00	BOLT, FLANGE	2	
6	95827-08045-00	BOLT, FLANGE	2	
7	99530-10114-00	PIN, DOWEL	2	
8	94701-00331-00	PLUG, SPARK	1	
9	7NJ-11191-00-00	COVER, CYLINDER HEAD 1 ..	1	
10	7NJ-11160-00-00	BREATHER ASSEMBLY	1	
11	90445-131J5-00	HOSE	1	
12	7NJ-11169-00-00	GASKET, BREATHER COVER .	1	
13	7NJ-11193-00-00	GASKET, HEAD COVER 1	1	
14	95827-06012-00	BOLT, FLANGE	4	



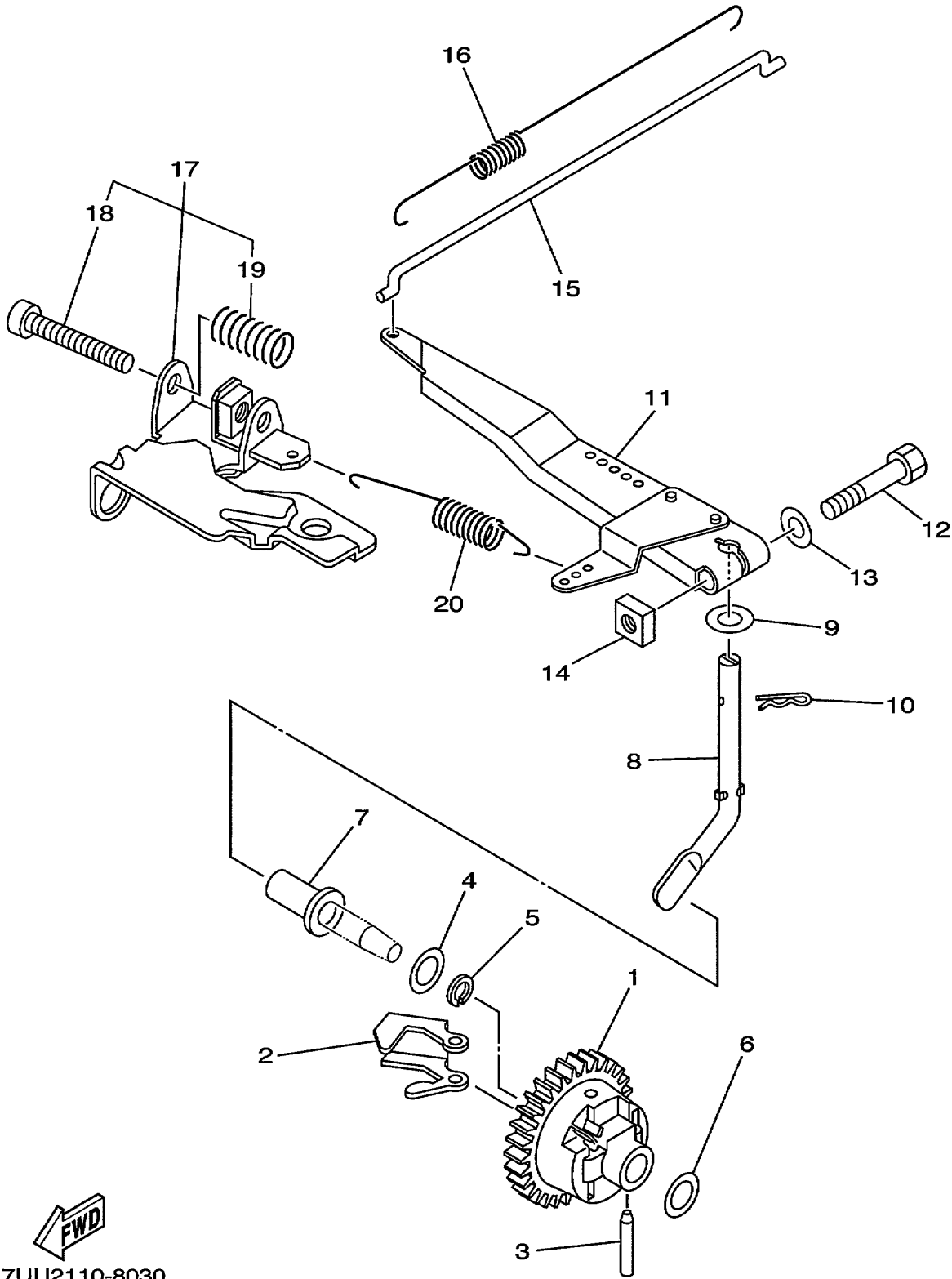
CRANKSHAFT - PISTON



7TD1010-7020

Ref. No.	Part Number	Description	Qty	Remarks
1	7NJ-11400-00-00	CRANKSHAFT ASSEMBLY ...	1	
2	7NJ-11650-00-00	CONNECTING ROD ASSEMBLY	1	
3	JA9-11654-01-00	. BOLT, CONNECTING ROD ..	2	
4	7NJ-11631-00-98	PISTON (STD)	1	
	7NJ-11635-00-00	PISTON (0.25MM O/S)	1	AP
	7NJ-11636-00-00	PISTON (0.50MM O/S)	1	AP
5	7NJ-11604-01-00	PISTON RING SET (0.25MM O/S)	1	AP
	7NJ-11605-01-00	PISTON RING SET (0.50MM O/S)	1	AP
	7NJ-11610-01-00	PISTON RING SET (STD)	1	
6	4H7-11633-00-00	PIN, PISTON	1	
7	93450-17025-00	CIRCLIP	2	

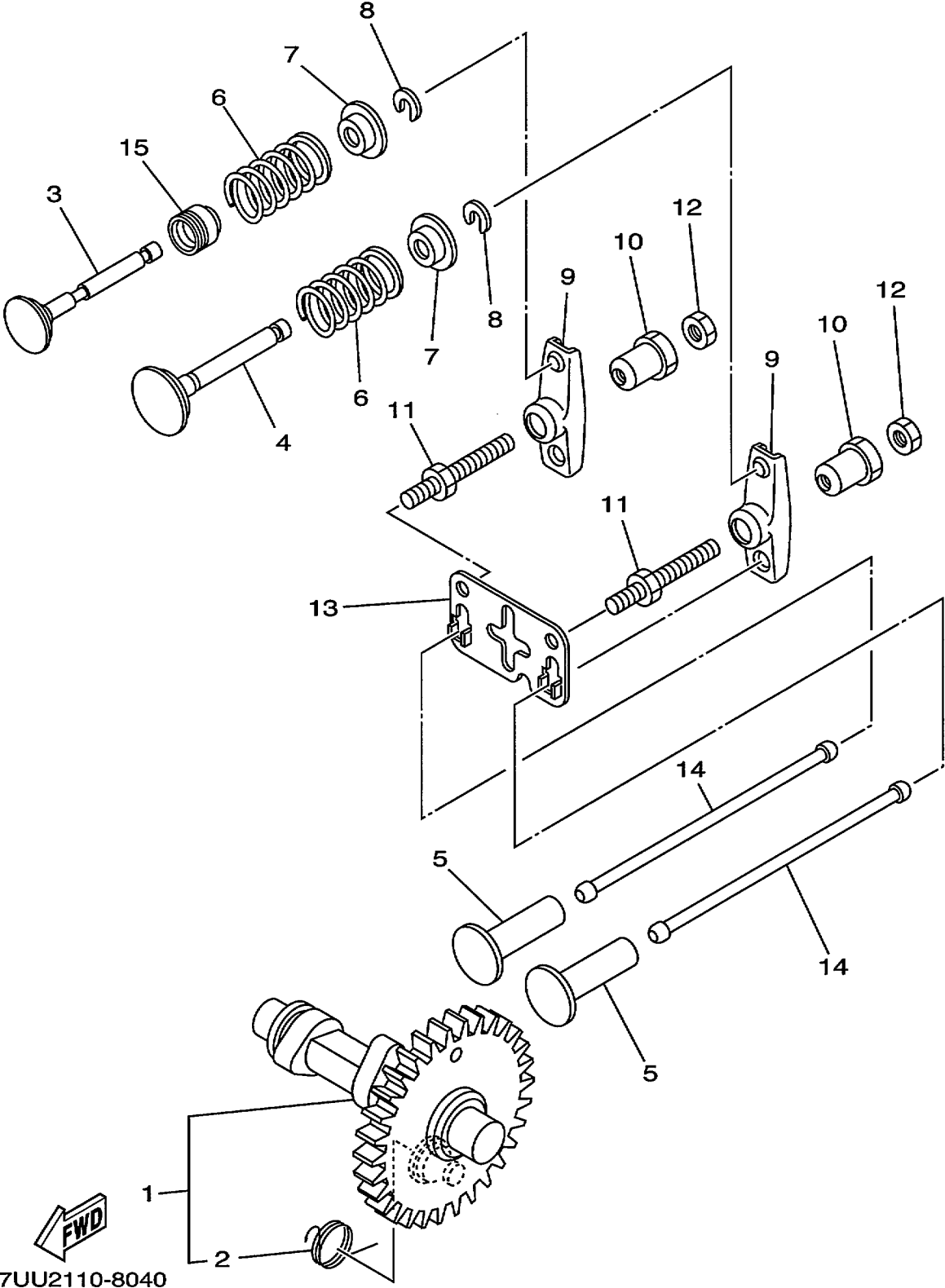
GOVERNOR



Ref. No.	Part Number	Description	Qty	Remarks
1	JA9-11972-00-00	GEAR, FLYWEIGHT SHAFT ...	1	
2	7NJ-11913-00-00	WEIGHT	2	
3	7FK-11914-00-00	SHAFT, WEIGHT	2	
4	90201-065K7-00	WASHER, PLATE	1	
5	93440-06107-00	CIRCLIP	1	
6	90201-065K7-00	WASHER, PLATE	1	
7	JA9-11917-00-00	COLLAR	1	
8	7NJ-11922-00-00	FORK, GOVERNOR	1	
9	92907-06200-00	WASHER	1	
10	90468-18008-00	CLIP	1	
11	7NN-11924-00-00	ARM, GOVERNOR	1	
12	97027-06030-00	BOLT	1	
13	92907-06600-00	WASHER, PLATE	1	
14	90173-06017-00	NUT, SQUARE	1	
15	7LV-11928-10-00	ROD, LINK	1	
16	90506-04495-00	SPRING, TENSION	1	
17	7NN-11950-00-00	ADJIP LATE COMP.	1	
18	98507-06035-00	. SCREW, PAN HEAD	1	
19	90501-10264-00	. SPRING, COMPRESSION	1	
20	7NN-11925-10-00	SPRING, GOVERNOR	1	

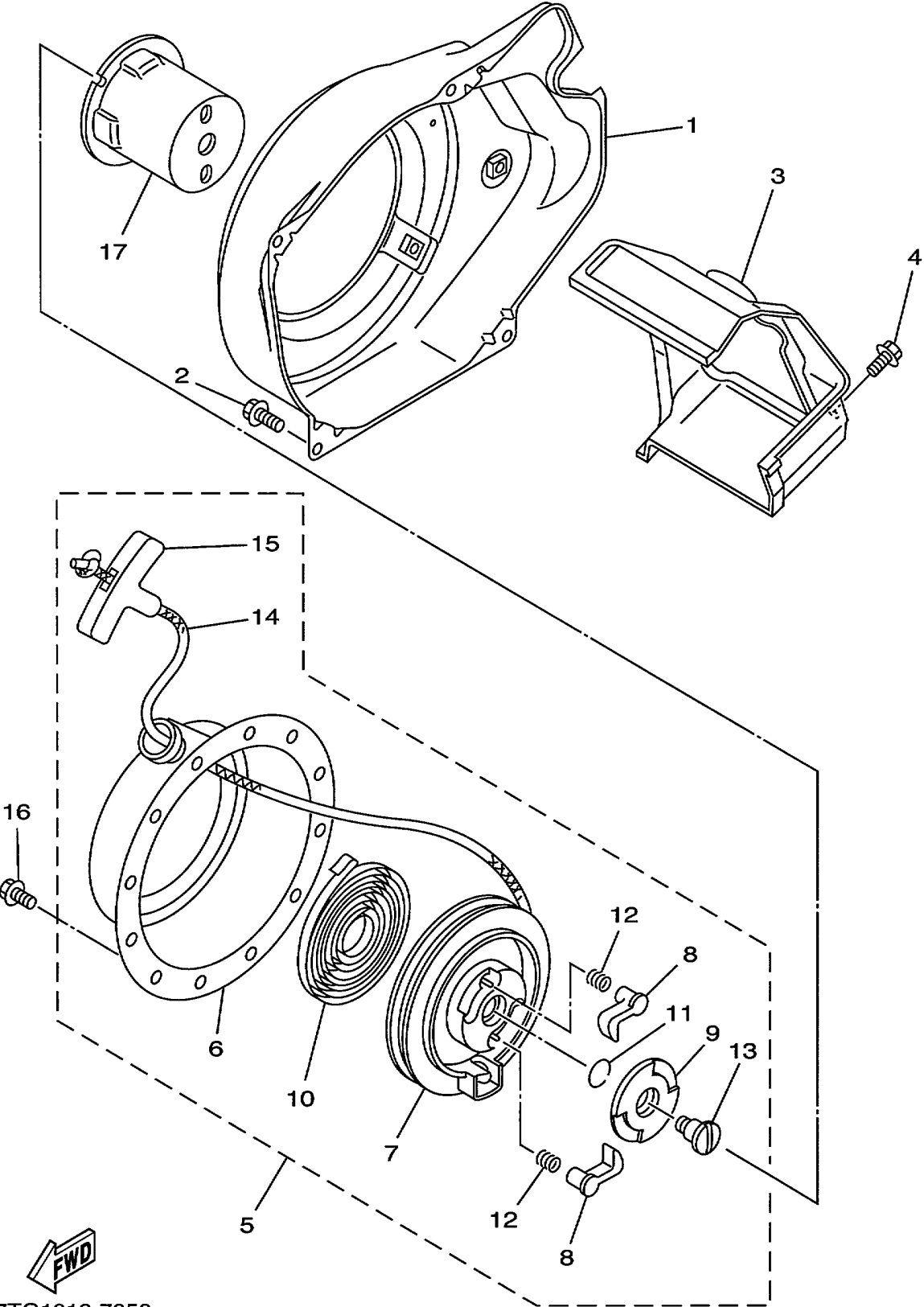

7UU2110-8030

CAMSHAFT - VALVE



Ref. No.	Part Number	Description	Qty	Remarks
1	7NJ-12170-02-00	CAMSHAFT ASSEMBLY 1	1	
2	7NJ-12287-00-00	. SPRING, DECOMPRESSION	1	
3	7NJ-12111-00-00	VALVE, INTAKE	1	
4	7NJ-12121-00-00	VALVE, EXHAUST	1	
5	JA9-12153-00-00	LIFTER, VALVE	2	
6	90501-205J4-00	SPRING, COMPRESSION	2	
7	7NJ-12117-00-00	RETAINER, VALVE SPRING	2	
8	7NJ-12118-00-00	COTTER, VALVE	2	
9	JA9-12151-00-00	ARM, VALVE ROCKER	2	
10	7FK-12165-00-00	PIVOT, ROCKER ARM	2	
11	7FK-12157-00-00	BOLT	2	
12	7FK-12158-00-00	NUT, LOCK	2	
13	7NJ-12155-00-00	GUIDE, PUSH ROD	1	
14	7NJ-12154-00-00	ROD, VALVE PUSH	2	
15	51Y-12119-00-00	SEAL, VALVE STEM	1	

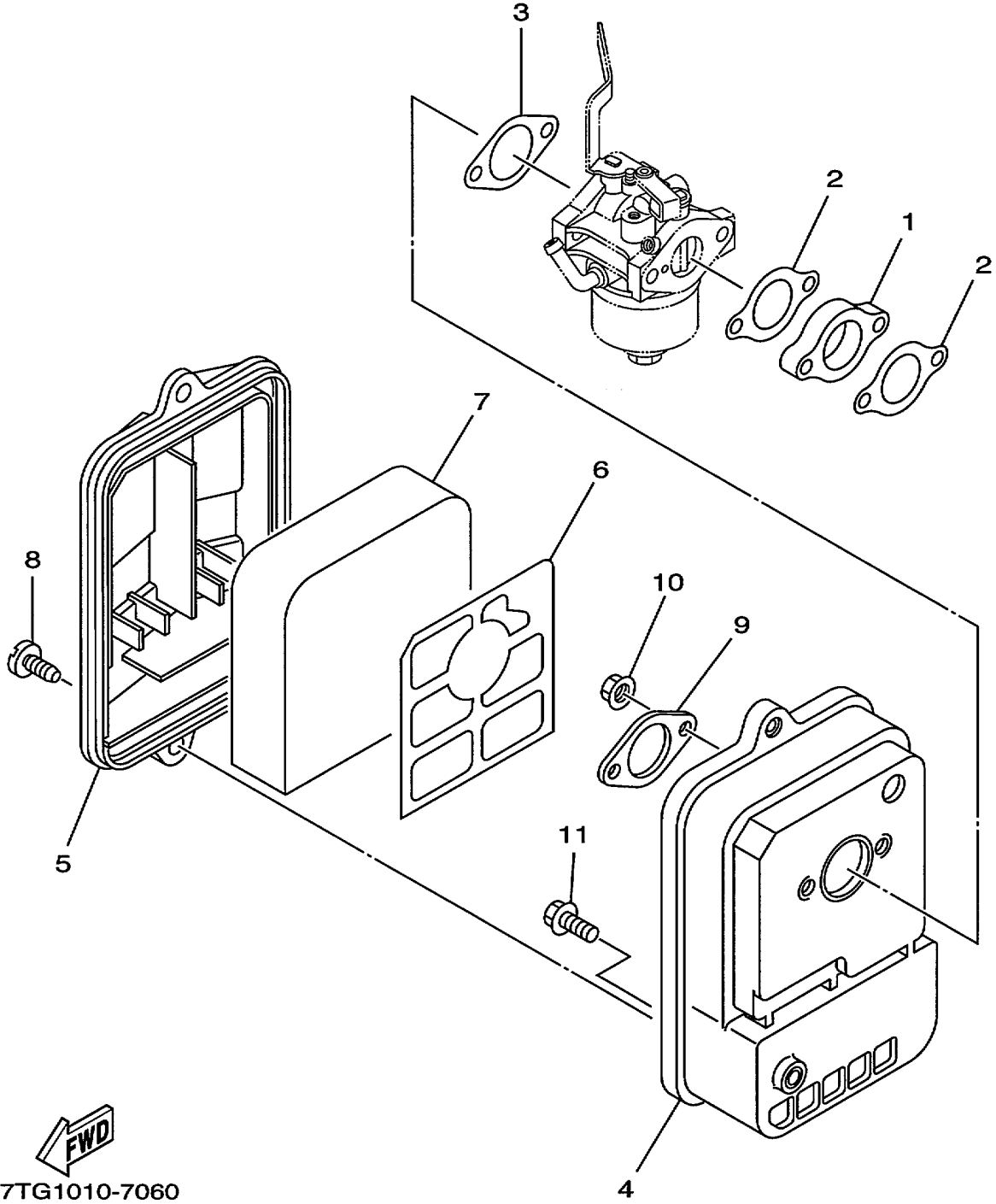
AIR SHROUD - STARTER



Ref. No.	Part Number	Description	Qty	Remarks
1	7NJ-12621-00-00	CASE, FAN	1	
2	95807-06012-00	BOLT, FLANGE	4	
3	7NJ-12651-01-00	AIR SHROUD, CYLINDER 1 ...	1	
4	95807-06012-00	BOLT, FLANGE	1	
5	7NJ-15710-01-00	STARTER ASSEMBLY	1	
6	7NJ-15711-00-00	. CASE, STARTER	1	
7	JL8-15714-00-00	. DRUM, SHEAVE	1	
8	JL8-15741-00-00	. PAWL, DRIVE	2	
9	JL8-15716-00-00	. PLATE, DRIVE	1	
10	7NJ-15713-00-00	. SPRING, STARTER	1	
11	JL8-15715-00-00	. SPRING, FRICTION	1	
12	JK4-15743-00-00	. SPRING, RETURN	2	
13	7NJ-15793-00-00	. SCREW	1	
14	7NJ-15751-01-00	. ROPE, STARTER (5.0X1500) .	1	
15	7LV-15755-00-00	. HANDLE, STARTER	1	
16	95807-06008-00	BOLT, FLANGE	3	
17	7NJ-15723-00-00	PULLEY, STARTER	1	

7TG1010-7050

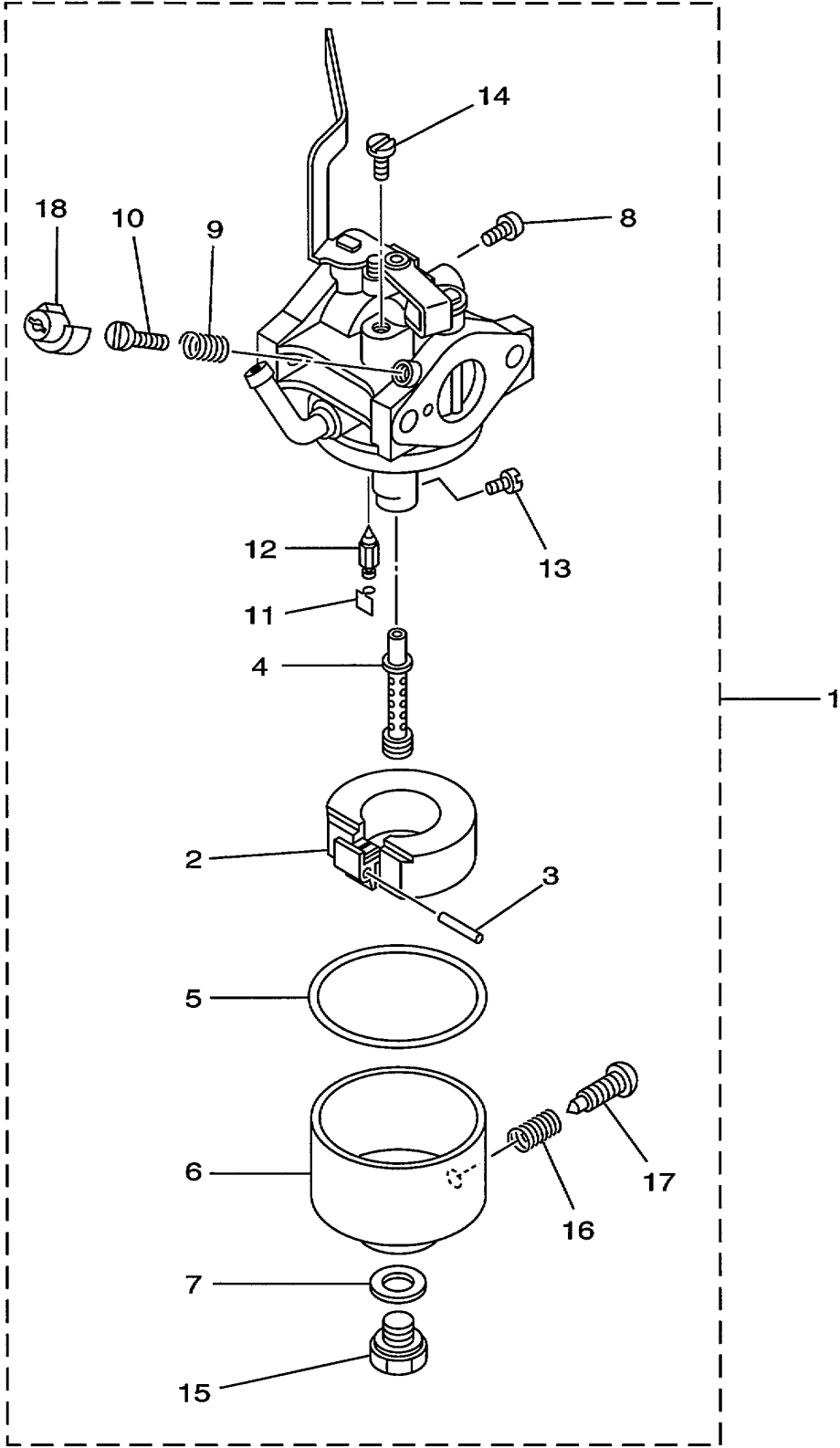
INTAKE



Ref. No.	Part Number	Description	Qty	Remarks
1	7NJ-13596-00-00	JOINT, CARBURETOR 2	1	
2	7NJ-13557-00-00	GASKET	2	
3	7NJ-13567-00-00	GASKET	1	
4	7NJ-14411-00-00	CASE, AIR CLEANER 1	1	
5	7NJ-14412-00-00	CAP, CLEANER CASE 1	1	
6	7NJ-14468-00-00	PLATE, ELEMENT FITTING	1	
7	7NJ-14451-00-00	ELEMENT, AIR CLEANER	1	
8	90146-06014-00	SCREW, OVAL FILLISTER	2	
9	7NB-14477-00-00	PLATE	1	
10	95707-06500-00	NUT, FLANGE	2	
11	95807-06016-00	BOLT, FLANGE	1	

FWD
7TG1010-7060

CARBURETOR

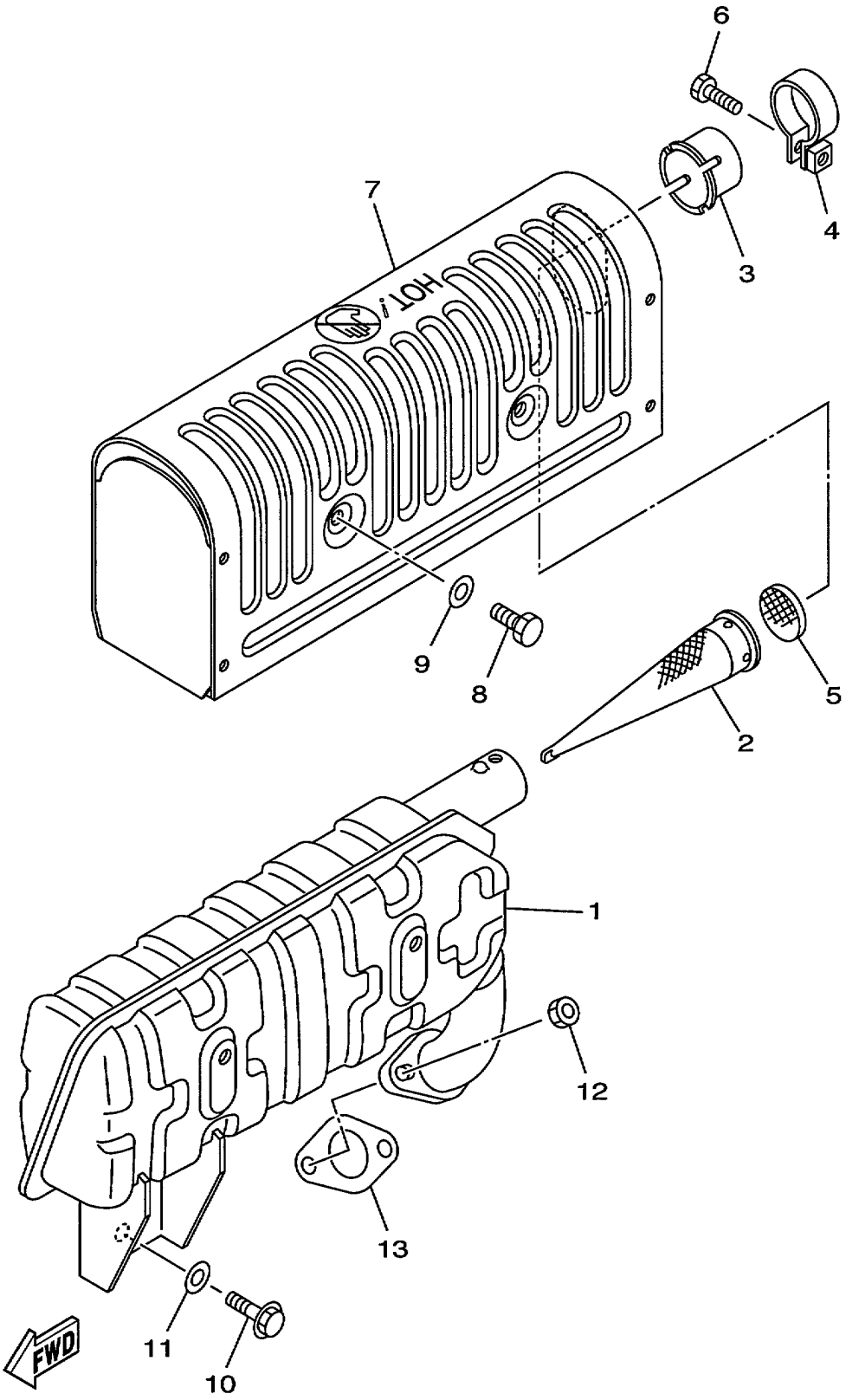


Ref. No.	Part Number	Description	Qty	Remarks
1	7NJ-14101-10-00	CARBURETOR ASSEMBLY 1	1	
2	7LG-14185-00-00	. FLOAT	1	
3	22F-14186-00-00	. PIN, FLOAT	1	
4	7NJ-1495F-1A-00	. NOZZLE, MAIN	1	
5	7G0-14184-00-00	. GASKET, FLOAT CHAMBER	1	
6	7EG-14181-00-00	. BODY, FLOAT CHAMBER 1	1	
7	7G0-14227-00-00	. WASHER	1	
8	78F-14486-00-00	. SCREW, ROD	2	
9	73A-14212-00-00	. SPRING	2	
10	7NJ-14211-00-00	. SCREW, PILOT ADJUSTING	1	
11	7EG-14159-00-00	. CLIP	1	
12	7LG-14150-11-00	. NEEDLE ASSEMBLY	1	
13	1HX-1423E-36-A0	. JET, MAIN (#91.3)	1	
14	620-14142-42-A0	. JET, MAIN (#42.5)	1	
15	7NJ-14162-00-00	. BOLT, HOLDING	1	
16	73A-14212-00-00	. SPRING	1	
17	7E1-14191-00-00	. PLUG, DRAIN	1	
18	7NJ-14118-00-00	. CAP (CUT AWAY 1/4)	1	

7UU2110-8070

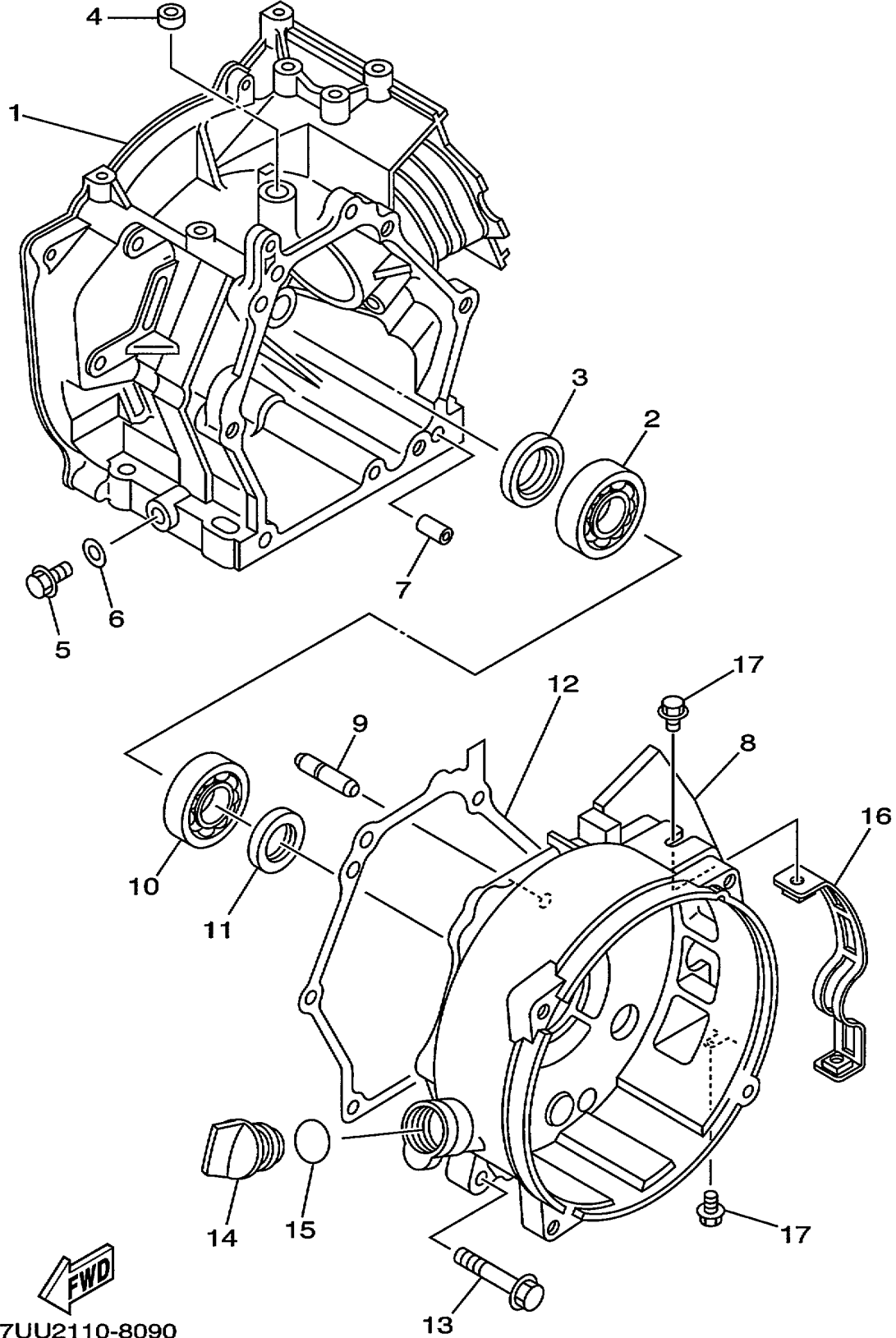
EXHAUST

Ref. No.	Part Number	Description	Qty	Remarks
1	7NN-14721-04-00	MUFFLER 2	1	
2	7LL-14786-00-00	ARRESTER, SPARK	1	
3	7NJ-14799-01-00	CAP	1	
4	7NJ-14788-00-00	BAND, SILENCER	1	
5	7NJ-1479E-00-00	NET, WIRE 2	1	
6	90153-05024-00	SCREW, HEXAGON	1	
7	7NN-14708-01-00	PROTECTOR ASSEMBLY	1	
8	97027-06010-00	BOLT	4	
9	92907-06600-00	WASHER, PLATE	4	
10	95827-06016-00	BOLT, FLANGE	1	
11	90201-06071-00	WASHER, PLATE	1	
12	95307-06600-00	NUT	2	
13	JA9-14613-00-00	GASKET, EXHAUST PIPE	1	



7UU2110-8080

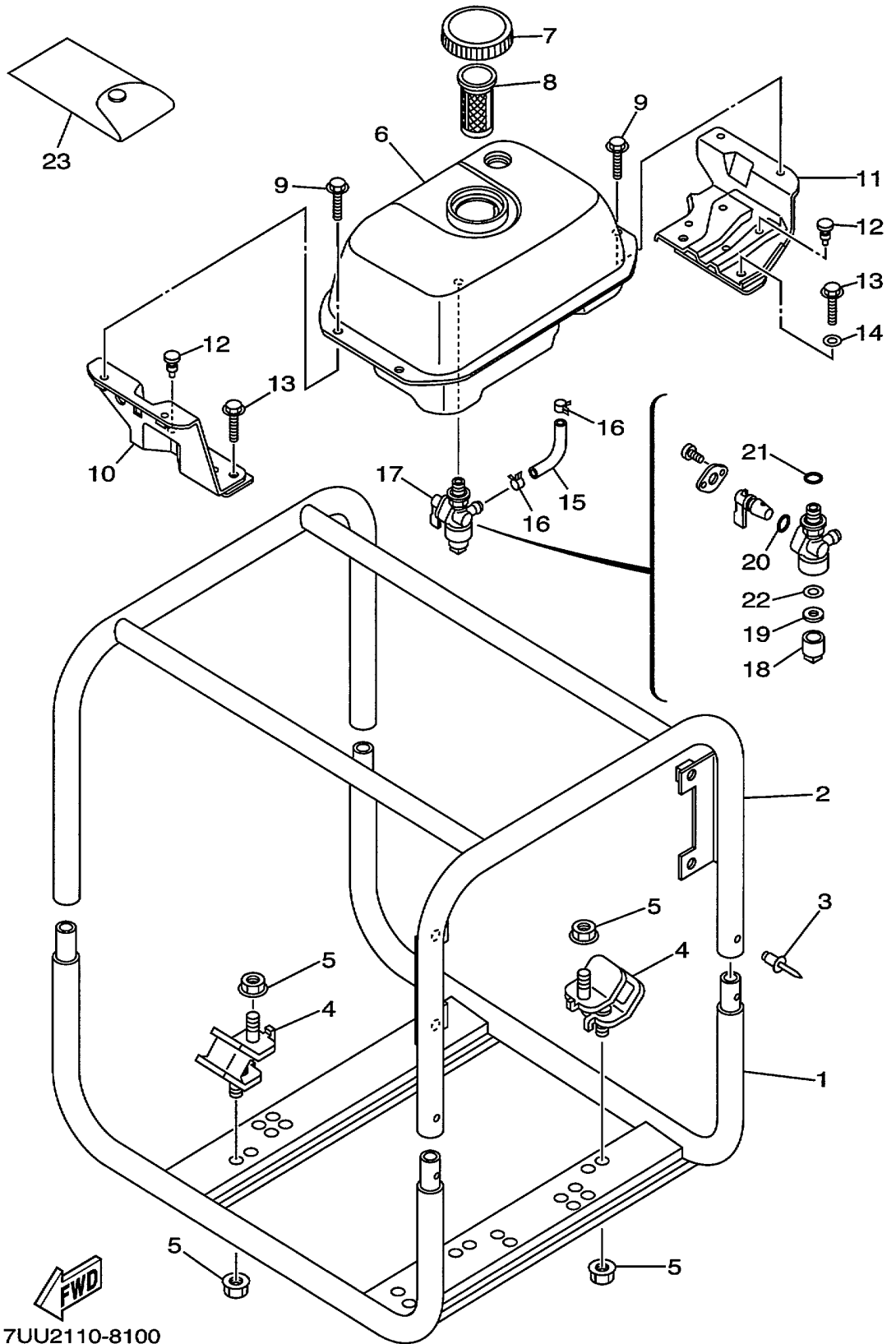
CRANKCASE



Ref. No.	Part Number	Description	Qty	Remarks
1	7UF-15111-10-00	CRANKCASE 1	1	
2	93306-20511-00	BEARING	1	
3	93102-25090-00	OIL SEAL	1	
4	93104-06062-00	OIL SEAL	1	
5	95027-10016-00	BOLT, FLANGE	1	
6	90430-10188-00	GASKET	1	
7	99530-08016-00	PIN, DOWEL	2	
8	7NJ-15411-00-00	COVER, CRANKCASE 1	1	
9	7FK-11971-00-00	SHAFT, FLYWEIGHT	1	
10	93306-20511-00	BEARING	1	
11	93102-25090-00	OIL SEAL	1	
12	7NJ-15451-00-00	GASKET, CRANKCASE COVER 1	1	
13	95827-08035-00	BOLT, FLANGE	6	
14	796-15363-01-00	PLUG, OIL	1	
15	93210-22344-00	O-RING	1	
16	7UU-15417-00-00	COVER, CAP	1	
17	95827-06012-00	BOLT, FLANGE	2	

7UU2110-8090

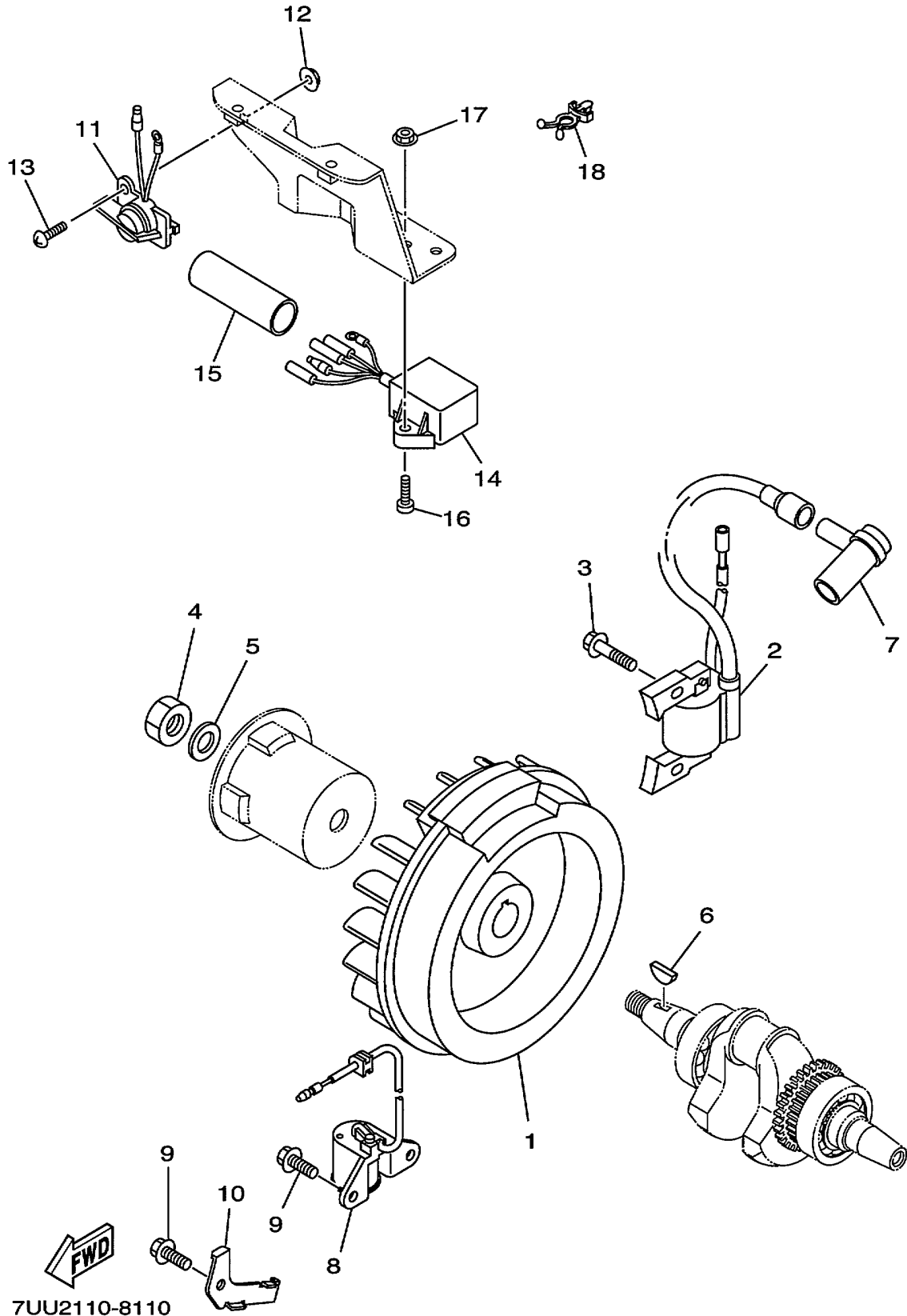
FRAME - FUEL TANK



Ref. No.	Part Number	Description	Qty	Remarks
1	7NJ-22840-00-00	FRAME COMP.	1	
2	7UU-22850-00-00	FRAME COMP. 2	1	
3	90267-48N00-00	RIVET, BLIND	4	
4	7LG-22891-00-00	INSULATOR, MOUNTING	4	
5	95707-08500-00	NUT, FLANGE	8	
6	7NN-24110-00-NJ	FUEL TANK COMP.	1	FWB
7	7T9-24610-00-00	CAP ASSEMBLY	1	
8	730-24167-00-00	STRAINER	1	
9	95827-06012-00	BOLT, FLANGE	4	
10	7NN-24115-00-00	STAY, FUEL TANK 1	1	
11	7NN-24116-00-00	STAY, FUEL TANK	1	
12	90338-05251-00	PLUG	3	
13	95827-08020-00	BOLT, FLANGE	4	
14	90201-08102-00	WASHER, PLATE	3	
15	7NN-24311-00-00	PIPE, FUEL 1	1	
16	90467-09037-00	CLIP	2	
17	7NJ-24500-01-00	FUEL COCK ASSEMBLY 1 ...	1	
18	7J3-24521-00-00	. CUP, FILTER	1	
19	4X8-24565-00-00	. GASKET	1	
20	2W6-24512-00-00	. O-RING	1	
21	7J3-24532-00-00	. GASKET	1	
22	7NJ-24515-00-00	. NET, FILTER 2	1	
23	7H6-28100-00-00	TOOL KIT	1	

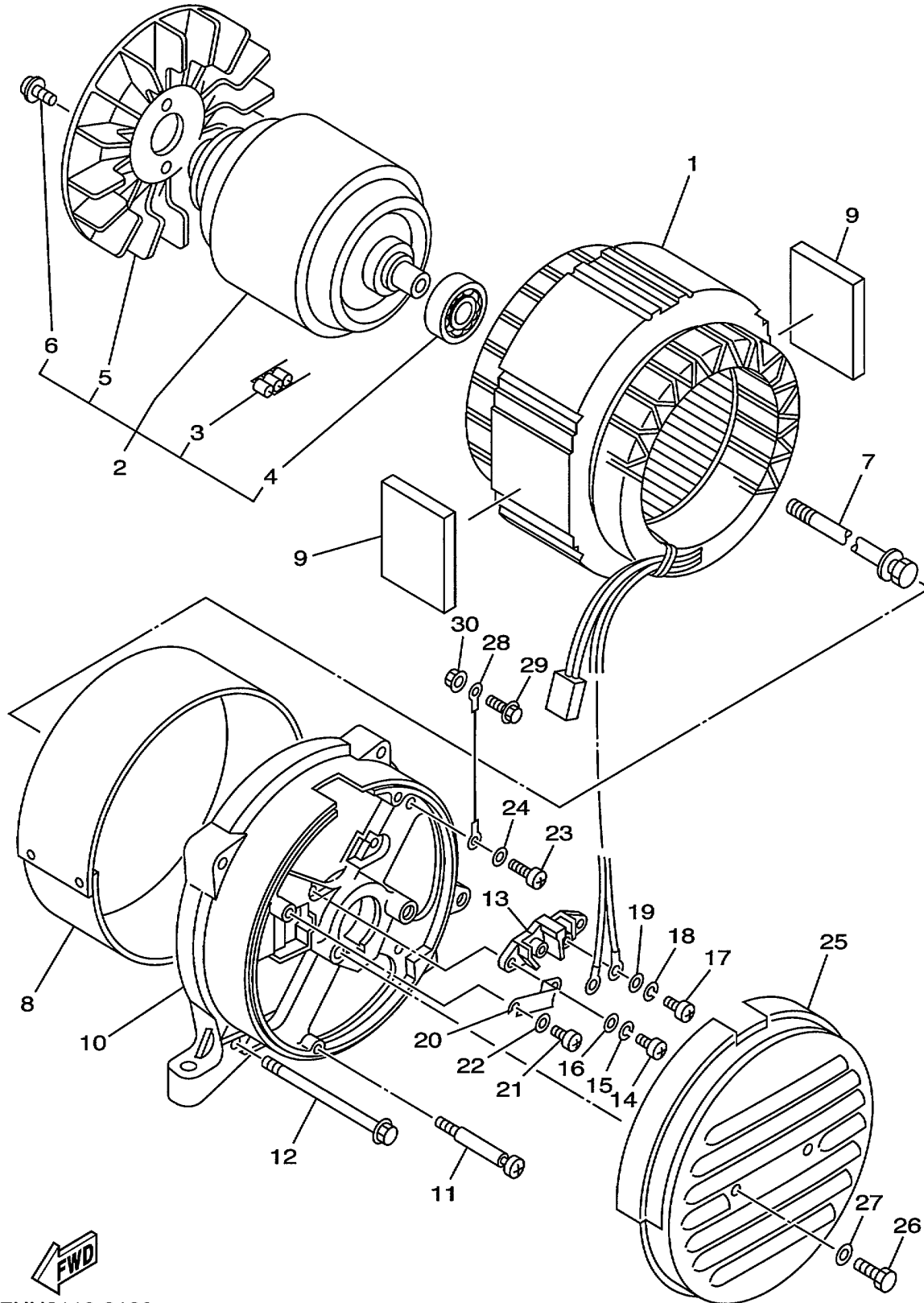
7UU2110-8100

MAGNETO



Ref. No.	Part Number	Description	Qty	Remarks
1	7NN-85650-00-00	ROTOR ASSEMBLY	1	
2	7NJ-85640-00-00	T.C.I. UNIT ASSEMBLY	1	
3	95827-06020-00	BOLT, FLANGE	2	
4	90170-14403-00	NUT	1	
5	92907-14200-00	WASHER	1	
6	90280-04052-00	KEY, WOODRUFF	1	
7	8K1-82370-20-00	PLUG CAP ASSEMBLY (WITH RESISTOR)	1	
8	7NJ-85720-01-00	OIL LEVEL GAUGE ASSEMBLY	1	
9	95827-06012-00	BOLT, FLANGE	3	
10	7NJ-85724-00-00	CLAMP	1	
11	7NN-82550-00-00	ENGINE STOP SWITCH ASSEMBLY	1	
12	95704-06500-00	NUT, FLANGE	1	
13	98507-06014-00	SCREW, PAN HEAD	1	
14	7NN-85690-10-00	OIL WARNING UNIT	1	
15	7NN-82139-00-00	TUBE	1	
16	98507-06020-00	SCREW, PAN HEAD	1	
17	95704-06500-00	NUT, FLANGE	1	
18	90464-07078-00	CLAMP	1	

GENERATOR



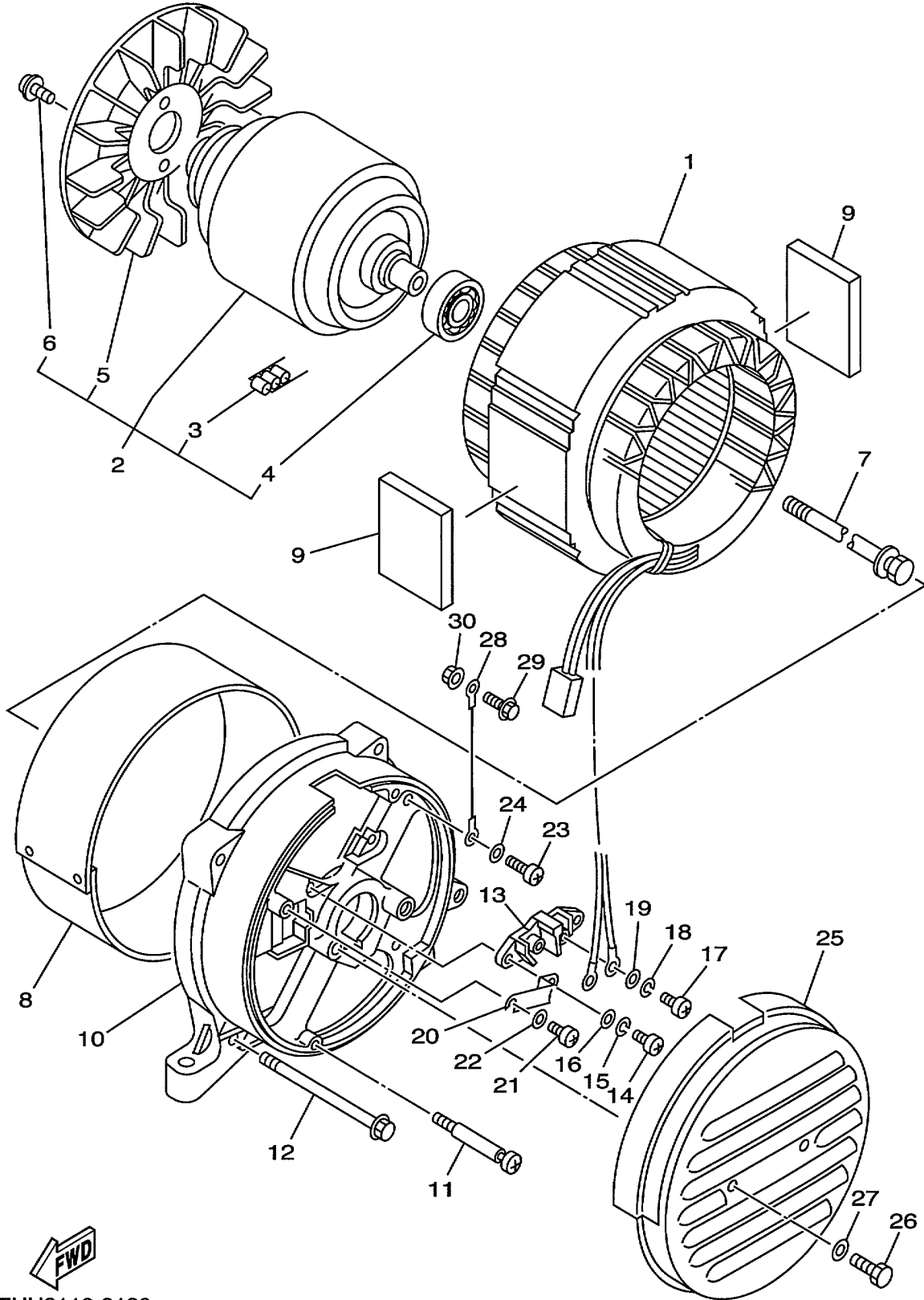
Ref. No.	Part Number	Description	Qty	Remarks
1	7NJ-87150-60-00	STATOR ASSEMBLY	1	
2	7NJ-87160-00-00	ROTOR ASSEMBLY	1	
3	7NJ-87115-00-00	. RECTIFIER ASSEMBLY 2 ...	4	
4	93306-20345-00	. BEARING	1	
5	7LG-87172-01-00	. FAN, GENERATOR	1	
6	90159-06032-00	. SCREW, WITH WASHER	2	
7	7LG-81152-00-00	BOLT	1	
8	7NJ-87153-00-00	COVER, STATOR	1	
9	7LG-87159-00-00	SEAL, STATOR	2	
10	7NJ-87131-00-00	FRAME, REAR	1	
11	7NJ-87192-00-00	SCREW, STATOR	2	
12	95827-06105-00	BOLT, FLANGE	4	
13	7NJ-87220-00-00	TERMINAL SUB ASSEMBLY 1 .	1	
14	98507-05014-00	SCREW, PAN HEAD	2	
15	92907-05100-00	WASHER, SPRING	2	
16	92907-05600-00	WASHER, PLATE	2	
17	98507-05014-00	SCREW, PAN HEAD	2	
18	92907-05100-00	WASHER, SPRING	2	
19	92907-05600-00	WASHER, PLATE	2	
20	7NJ-88195-00-00	HOLDER, CONNECTOR	1	
21	98507-05010-00	SCREW, PAN HEAD	1	
22	92907-05600-00	WASHER, PLATE	1	
23	98507-05010-00	SCREW, PAN HEAD	1	
24	92907-05600-00	WASHER, PLATE	1	
25	7LG-87174-00-98	COVER, REAR END	1	LGB
26	97007-06010-00	BOLT	2	
27	92907-06600-00	WASHER, PLATE	2	
28	7NJ-87139-00-00	LEAD WIRE ASSEMBLY 2	1	
29	95880-06010-00	BOLT, FLANGE	1	

CONTINUED ON NEXT FRAME ►

7UU2110-8120

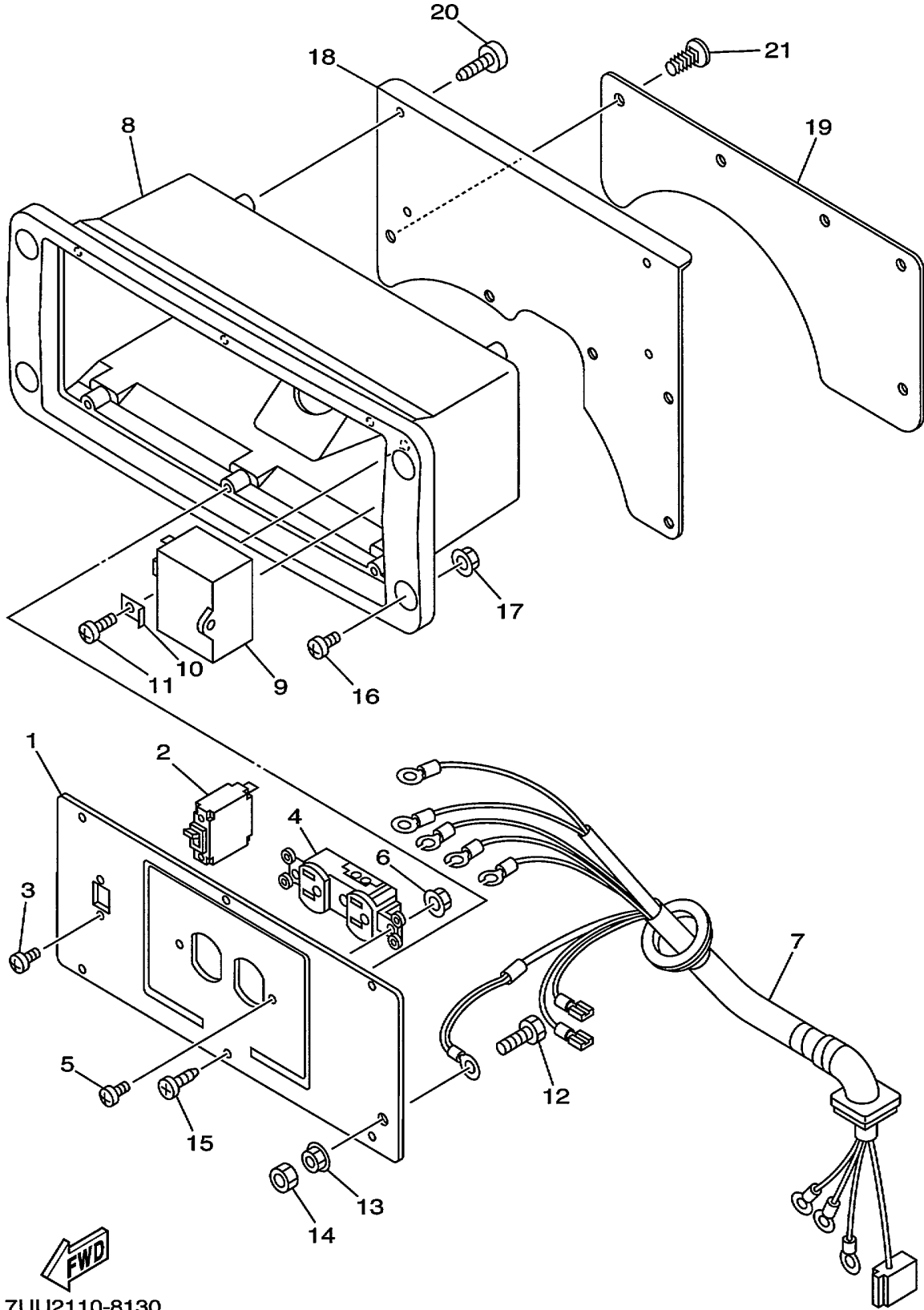
GENERATOR

Ref. No.	Part Number	Description	Qty	Remarks
30	95780-06500-00	NUT, FLANGE	1	




7UU2110-8120

CONTROL BOX

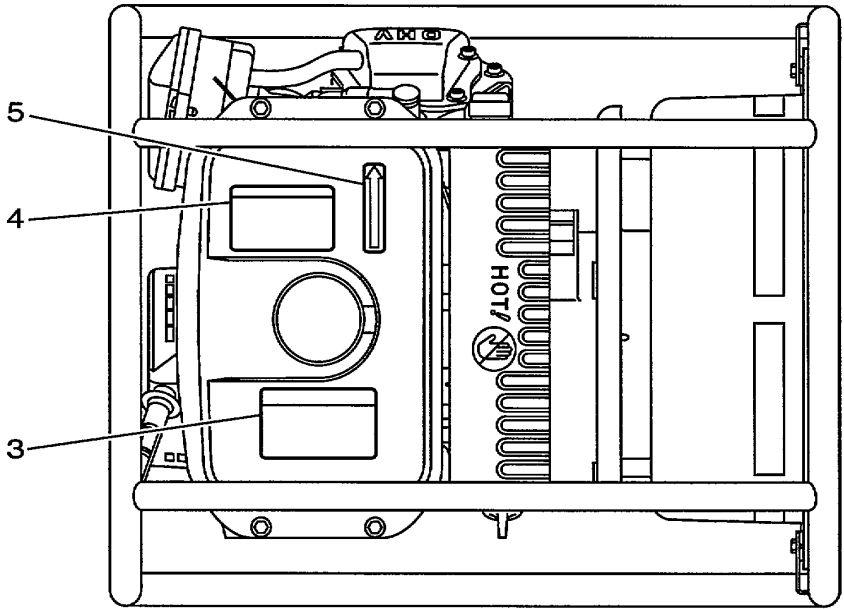


Ref. No.	Part Number	Description	Qty	Remarks
1	7UU-87249-40-00	PLATE	1	
2	7NJ-87204-60-00	BREAKER COMP.	1	
3	98507-03006-00	SCREW, PAN HEAD	2	
4	73H-87221-90-00	CONSENT 1 (P&S 5-20R)	1	
5	98507-04012-00	SCREW, PAN HEAD	2	
6	95707-04500-00	NUT, FLANGE	2	
7	7UU-87226-40-00	WIRE HARNESS ASSEMBLY ..	1	
8	7UU-87213-00-00	COVER, CONTROL BOX	1	
9	7LG-87107-01-00	CONDENSER ASSEMBLY	1	
10	7LG-87248-00-00	HOLDER, BREAKER 2	1	
11	97707-40512-00	SCREW, TAPPING	1	
12	97080-06020-00	BOLT	1	
13	95707-06500-00	NUT, FLANGE	1	
14	95380-06700-00	NUT	1	
15	97707-40516-00	SCREW, TAPPING	6	
16	98907-06014-00	SCREW, BIND	4	
17	95707-06500-00	NUT, FLANGE	2	
18	7UU-15415-00-00	COVER, GENERATOR	1	
19	7UU-15416-00-00	COVER, OIL PUMP	1	
20	97707-50512-00	SCREW, TAPPING	4	
21	90338-08220-00	PLUG	5	

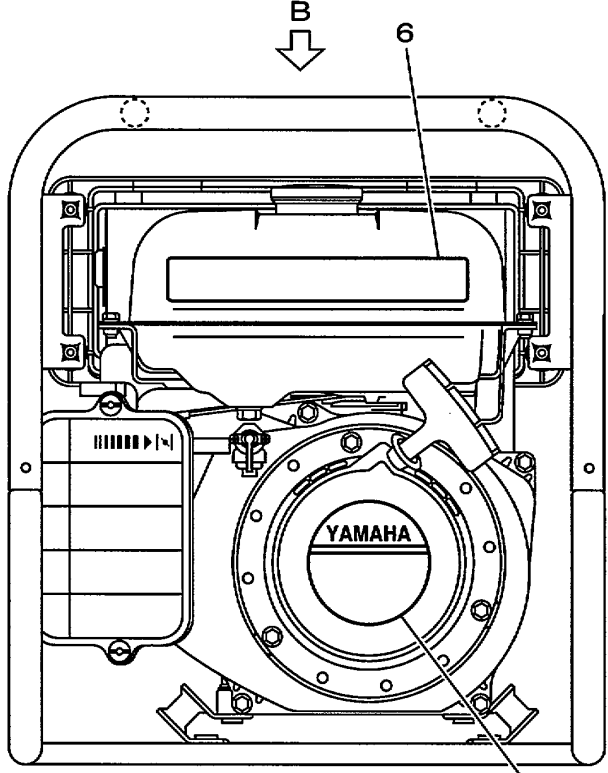
FWD
7UU2110-8130

EMBLEM - LABEL

Ref. No.	Part Number	Description	Qty	Remarks
1	7NN-12629-00-00	EMBLEM	1	
2	7UU-24161-00-00	EMBLEM 1	1	
3	7TA-24162-10-00	EMBLEM 2 (WARNING)	1	
4	73H-2415A-00-00	LABEL, CAUTION	1	
5	7Y0-2415A-10-00	LABEL, CAUTION (HOT EXHAUST)	1	
6	7NJ-2179R-02-00	PLATE, EPA 2 (CALIFORNIA) .	1	

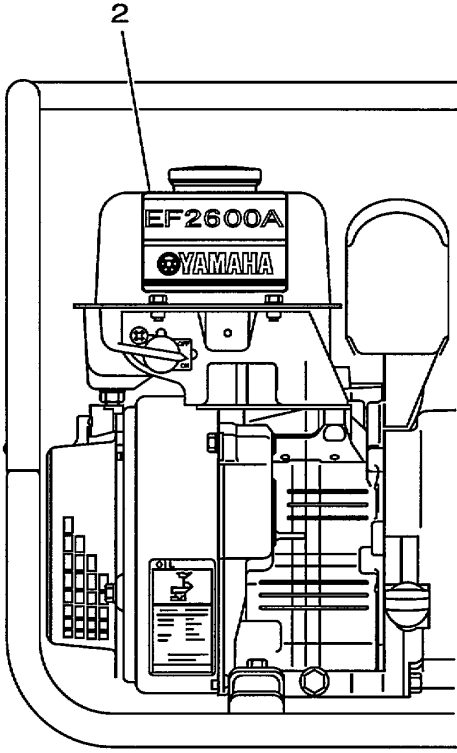


VIEW A



7UU2110-8140

1



VIEW B