



## **PARTS CATALOGUE**

**EF4600DE (7RG2)**

**EF6600DE (7RH2)**

**YG4600D (7RT2)**

**YG6600D (7RU2)**

**YG6600DE (7RU2)**

Serial No.	EF4600DE : 7RG-0220101 and following
	EF6600DE : 7RH-0220101 and following
	YG4600D : 7RT-0200101 and following
	YG6600D : 7RU-0200101 and following
	YG6600DE : 7RU-0200101 and following

**OWNERS LIT-19626-00-73**

**SERVICE LIT-19616-00-81**

COLOR CODE	COLOR NAME	ABBREVIATION
ONJ	FARAWAY BLUE	FWB

# FOREWORD

## -INTRODUCTION- To The Yamaha Parts Fiche

This parts fiche lists parts and sub-assemblies for the EF4600DE/EF6600E/YG4600D/YG6600D/YG6600DE. When preparing a parts order, please refer to the most recently updated microfiche for this model.

### THE YAMAHA PARTS FICHE

#### SYMBOLS

[ ]	Inactive, no longer available
U.R.	Use size (thickness) and/or number as required
U.N.	Use as many as you need
T	Number of teeth in a gear
V	Voltage for light bulbs
S	"S" type oil seal or "S" type circlip
SD,S0,SW	"SD", "SO", or "SW" type oil seal
E,R	"E" or "R" type circlip
F/No.	Frame No. (Applicable Machine No.)
L.M.	Locally made
Q.L.	Obtain locally
AP	Alternate Part

#### SUPERSEDED PART NUMBERS

If part 'A' has been superseded by part 'B', the superseding part number "B" will appear in the part number listing with the superseded part number "A" appearing in parentheses immediately following the description.

#### EXAMPLE:

Ref. No.	Part No.	Description	Qty.
	(Part 'B')	(Part 'A')	
8	796-15711-05-86	CASE, STARTER (796-15711-03-86).....	1

A part that has been supersede to a kit may be identified by a 99999-00000-00 part number appearing in the part number column. The old superseded part number will appear in parentheses immediately following the description. Listed directly below the 99999 part number will be those parts making up the kit. The description of the parts making up the kit will be preceded by a small black dot (.) and the description will be indented one letter space.

#### EXAMPLE:

Ref. No.	Part No.	Description	Qty.
8	99999-12345-00	CYLINDER (111-12345-00-00) .....	1
	234-56789-00-00	• HEAD, CYLINDER.....	1

#### SIZES

Except for steel balls (ball sizes are indicated in inches), all parts sizes are indicated in millimeters as in the following examples:

Hose (Rubber or Vinyl) .....	Inside Diameter - Length
O-Ring .....	Section Area - Inside Diameter
Washer, Shim, Collar .....	Inside Diameter - Outside Diameter Thickness (Length)

#### ASSEMBLIES AND COMPONENT PARTS

Assemblies and their component parts, are identified by an indentation of one letter space, and the description is preceded by a dot (.). If two main assemblies are listed, and have the same basic description (i.e.: left and right sides of the same assembly), one will immediately follow the other. If each of these main assemblies is made up of almost the same components, these component parts will be listed immediately under the second main assembly line and will be indicated, as noted above.

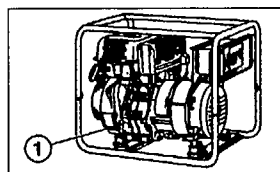
If the component is the same for both main assemblies, the quantity indicated will be the total required. If the component is not the same for both main assemblies, the quantity for each separate item will be listed separately.

#### EXAMPLE:

Description	Qty
CARBURETOR ASSY, LEFT .....	1
CARBURETOR ASSY, RIGHT .....	1
. JET, PILOT .....	2
. NOZZLE, MAIN .....	2
. LEVER, STARTER, LEFT .....	1
. LEVER, STARTER, RIGHT .....	1

#### APPLICABLE SERIAL NO.

(1) Serial No.

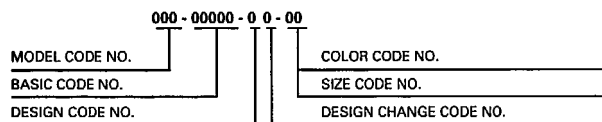


# FOREWORD

## THE YAMAHA PART NUMBER

The Yamaha part number consists of 12 digits. Each number represents a specific piece of information relating to a replacement part. The following is a guide for reading and interpreting the Yamaha part number.

### BASIC PART NUMBER CONFIGURATION:



### MODEL CODE NUMBER

FIRST THREE DIGITS . . . 000-00000-00-00

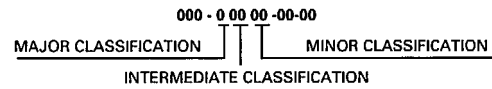
Every model in each Yamaha product line is assigned a model number to identify that particular model. All component parts are given the model code number relating to the model on which they were first used.

Example: 7J0-00000-00-00 identifies the EF2000.  
7J4-00000-00-00 identifies the EF2800.

### BASIC CODE NUMBER

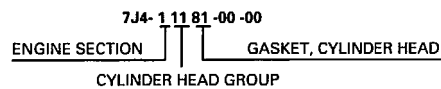
MIDDLE FIVE DIGITS . . . 000-00000-00-00

These "Middle Five Digits" indicate the type of part i.e., piston, rings, lower units, etc. The five digits are broken down as follows:



The "Major Classification" indicates the section to which the parts belong, i.e., engine, electrical etc. The "Intermediate" and "Minor Classifications" indicate more specific details.

Example:



### DESIGN CODE NUMBER: 000-00000-00-00

The design code distinguishes like component parts from one another when specification differences are involved. For example, distinguishing a standard size piston ring from an oversized piston ring.

Example:

7J4-11610-0 0 0-00 Standard Piston Ring Set for EF2800  
7J4-11610-0 2 0-00 Oversize Piston Ring Set for EF2800

### DESIGN CHANGE CODE NUMBER: 000-00000-00-00

This code number is used to identify a difference between a new component part and old one when a new part is created by changing the old one.

Example: EF2800

7J4-11610-0 0 1-00 PISTON RING SET, STD. - ORIGINAL  
7J4-11610-0 0 1-00 PISTON RING SET, STD. - FIRST DESIGN CHANGE

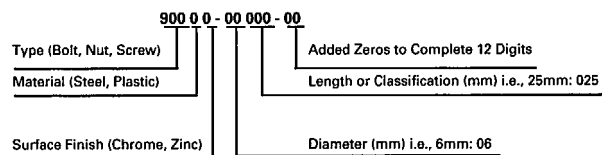
Only major changes to performance, durability, quality, appearance, cost or interchangeability will affect a part number change.

### COLOR CODE & SIZE CODE NUMBER: 000-00000-00-00

When applicable, the last two digits of the part number identify:

1. Color Code: The painted color or type of plating or surface treatment used on certain parts.
2. Size Code: The last two digits are also used to show the size of parts (mm). Such as the thickness of shims or the size of pistons.

### HARDWARE (Fastener) PART NUMBER CONFIGURATION:



TYPE:

A fastener part number always begins with the number "9" followed by either a 0, 1, 2, 3, 4, 5, 6, 7 or 8 designating one of eight major divisions within this group.

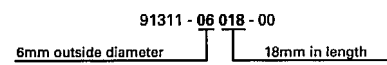
# FOREWORD

**Example:**

- 9 0 000-00000-00 "0" designates various types.
- 9 1 000-00000-00 "1" designates bolts, cotter pins, etc.
- 9 2 000-00000-00 "2" designates screw, nuts, etc.
- 9 3 000-00000-00 "3" designates oil seals, o-rings, bearings, etc.
- 9 4 000-00000-00 "4" designates spark plugs.
- 9 5 000-00000-00 "5" designates bolts and nuts.
- 9 7 000-00000-00 "7" designates ISO bolts.
- 9 8 000-00000-00 "8" designates ISO screws and nuts.

The only major divisions which the mechanic should become familiar with are those related to the general hardware (nuts, bolts, and washers), since these are the most commonly used and most often replaced items. By knowing how to interpret the part number, the dimensions of a piece of hardware can be determined. This can be very helpful during major engine repair, and general parts replacement.

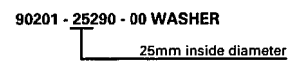
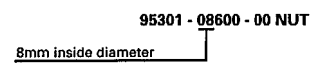
**BOLT EXAMPLE:**



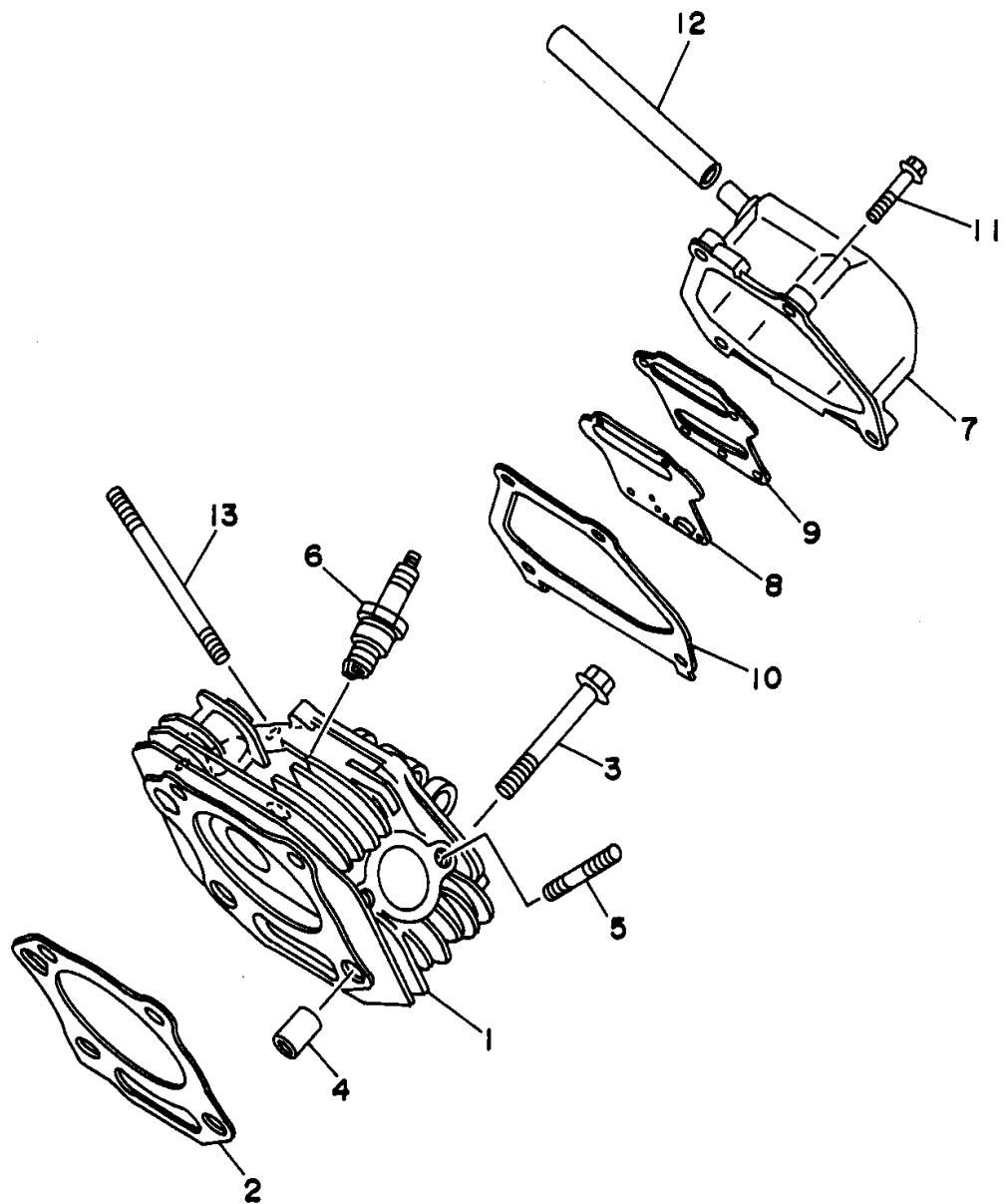
**EXCEPTION:**

It is NOT possible to identify the LENGTH of bolts having a 901 prefix. Only the bolt diameter can be identified with this number.

**NUT AND WASHER EXAMPLE:**



# CYLINDER (ALL MODELS)

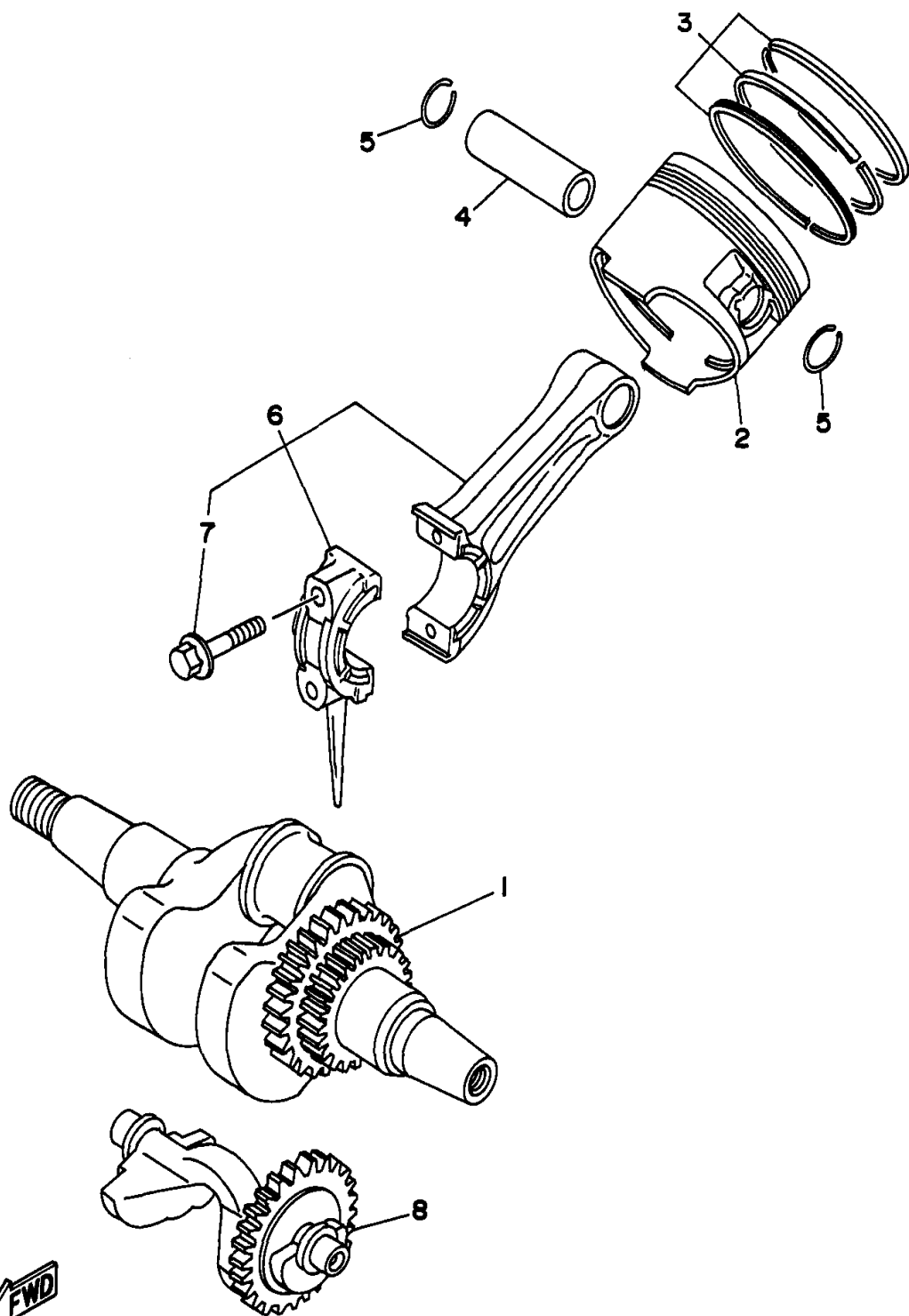


Ref. No.	Part Number	Description	Qty	Remarks
1	7RG-11111-00-00	HEAD, CYLINDER 1	1	YG4
	7RH-11111-00-00	HEAD, CYLINDER 1	1	YG6
2	7RG-11181-00-00	GASKET, CYLINDER HEAD 1	1	YG4
	7RH-11181-00-00	GASKET, CYLINDER HEAD 1	1	YG6
3	95817-10070-00	BOLT, FLANGE	4	
4	99530-14016-00	PIN, DOWEL	2	
5	95617-08618-00	BOLT, STUD (95627-08618-00)	2	
6	NGK-BPR4E-S0-04	PLUG, SPARK	1	UR
7	7RH-11191-00-00	COVER, CYLINDER HEAD 1	1	
8	7RH-11160-00-00	BREATHER ASSY	1	
9	7RH-11169-00-00	GASKET, BREATHER COVER	1	
10	JN6-11193-00-00	GASKET, HEAD COVER 1	1	
11	95817-06030-00	BOLT, FLANGE	4	
12	7RH-11166-00-00	PIPE, BREATHER 1	1	
13	95607-08700-00	BOLT, STUD	2	



7RG1400-6010

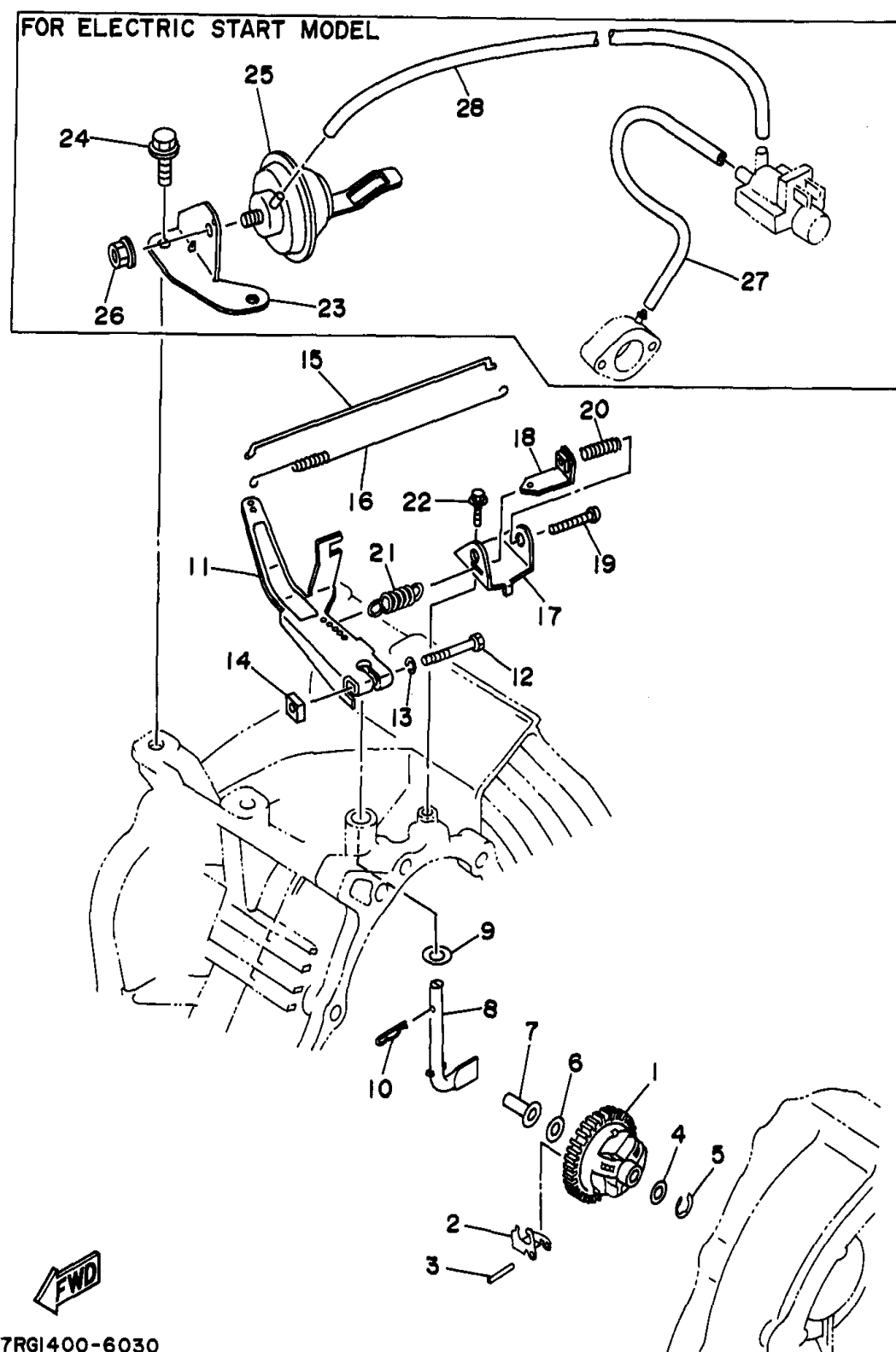
# CRANKSHAFT - PISTON (ALL MODELS)



Ref. No.	Part Number	Description	Qty	Remarks
1	7RH-11400-00-00	CRANKSHAFT ASSY .....	1	
2	JN6-11631-00-A0	PISTON (STD) .....	1	YG4
	7RH-11631-00-A0	PISTON (STD) .....	1	YG6
	JN6-11635-00-00	PISTON (0.25MM O/S) .....	1	YG4
	7RH-11635-00-00	PISTON (0.25MM O/S) .....	1	YG6
	JN6-11636-00-00	PISTON (0.50MM O/S) .....	1	YG4
	7RH-11636-00-00	PISTON (0.50MM O/S) .....	1	YG6
3	JN6-11610-00-00	PISTON RING SET (STD) .....	1	YG4
	7RH-11603-00-00	PISTON RING SET (STD) .....	1	YG6
	JN6-11610-10-00	PISTON RING SET (0.25MM O/S) .....	1	YG4
	7RH-11604-00-00	PISTON RING SET (0.25MM O/S) .....	1	YG6
	JN6-11610-20-00	PISTON RING SET (0.50MM O/S) .....	1	YG4
	7RH-11605-00-00	PISTON RING SET (0.50MM O/S) .....	1	YG6
4	447-11633-00-00	PIN, PISTON .....	1	YG4
	583-11633-00-00	PIN, PISTON .....	1	YG6
5	93450-21053-00	CIRCLIP .....	2	
6	JN6-11650-00-00	CONNECTING ROD ASSY .....	1	
7	JN6-11654-00-00	. .BOLT, CONNECTING ROD ..	2	
8	JN6-11454-00-00	WEIGHT 1 .....	1	

7RGI400-6020

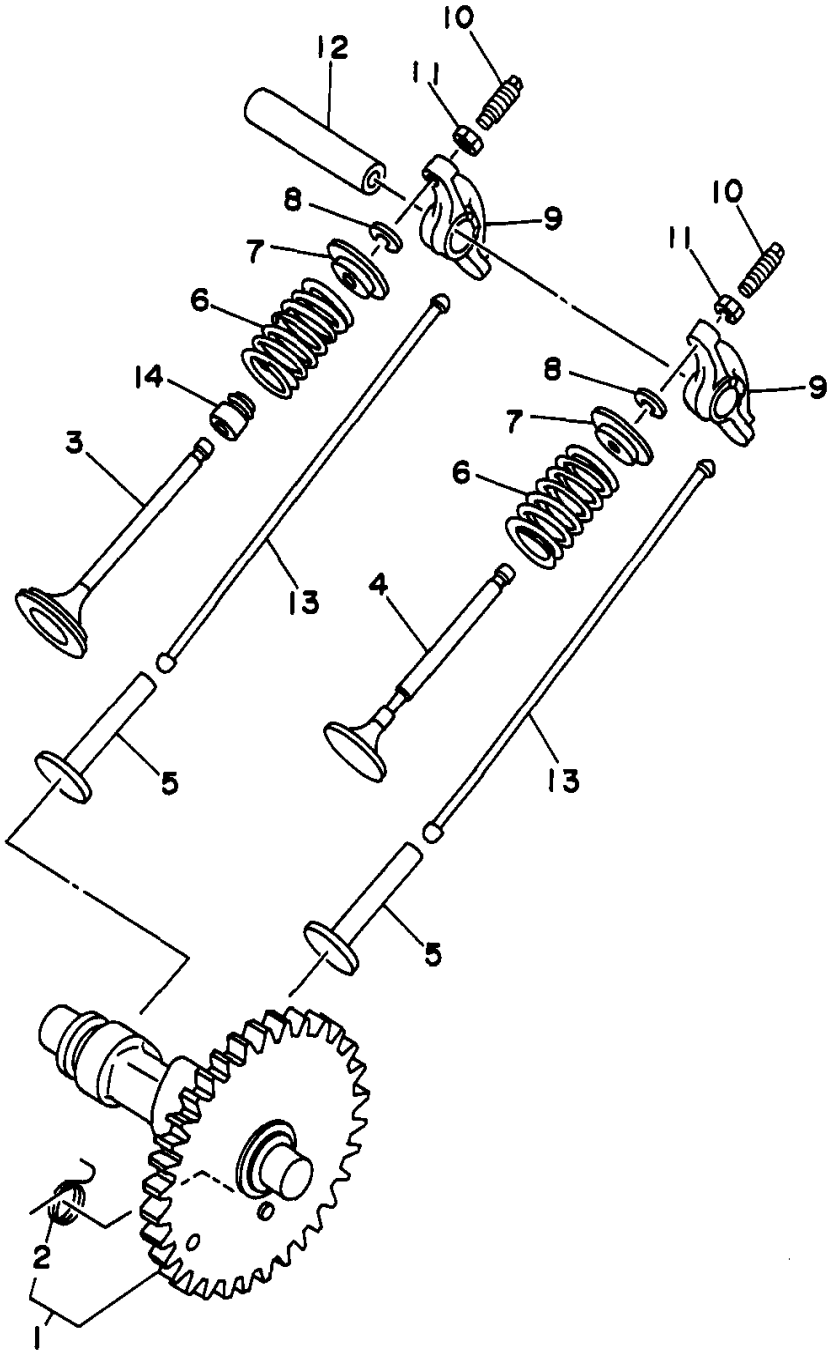
# GOVERNOR (ALL MODELS)



7RGI400-6030

Ref. No.	Part Number	Description	Qty	Remarks
1	7RH-11972-00-00	GEAR, FLYWEIGHT SHAFT ...	1	
2	7RH-11913-00-00	.WEIGHT .....	3	
3	7FK-11914-00-00	.SHAFT, WEIGHT .....	3	
4	90201-062P7-00	WASHER, PLATE .....	1	
5	93440-06107-00	CIRCLIP .....	1	
6	90201-067L0-00	WASHER, PLATE .....	1	
7	7KY-11917-00-00	COLLAR .....	1	
8	7RH-11922-00-00	FORK, GOVERNOR .....	1	
9	90201-087H6-00	WASHER, PLATE .....	2	
10	90468-12006-00	CLIP .....	1	
11	7RH-11924-00-00	ARM, GOVERNOR .....	1	
12	97017-06030-00	BOLT, HEXAGON .....	1	
13	92907-06600-00	WASHER, PLATE .....	1	
14	90173-06017-00	NUT, SQUARE .....	1	
15	7RH-11928-00-00	ROD, LINK .....	1	
16	90506-04458-00	SPRING, TENSION .....	1	
17	73A-11941-00-00	STAY .....	1	
18	73A-11931-00-00	LEVER .....	1	
19	98507-06035-00	SCREW, PAN HEAD .....	1	
20	90501-10264-00	SPRING, COMPRESSION .....	1	
21	7RH-11925-00-00	SPRING, GOVERNOR .....	1	
22	95817-06012-00	BOLT, FLANGE .....	1	
23	7RH-11998-00-00	BRACKET 1 .....	1	FOR EL. START
24	95817-08016-00	BOLT, FLANGE .....	1	FOR EL. START
25	7X6-11960-00-00	DIAPHRAGM ASSY .....	1	FOR EL. START
26	95707-08500-00	NUT, FLANGE .....	1	FOR EL. START
27	7RH-13545-10-00	HOSE 1 .....	1	FOR EL. START
28	7RH-13545-00-00	HOSE 1 .....	1	FOR EL. START

# CAMSHAFT - VALVE (ALL MODELS)



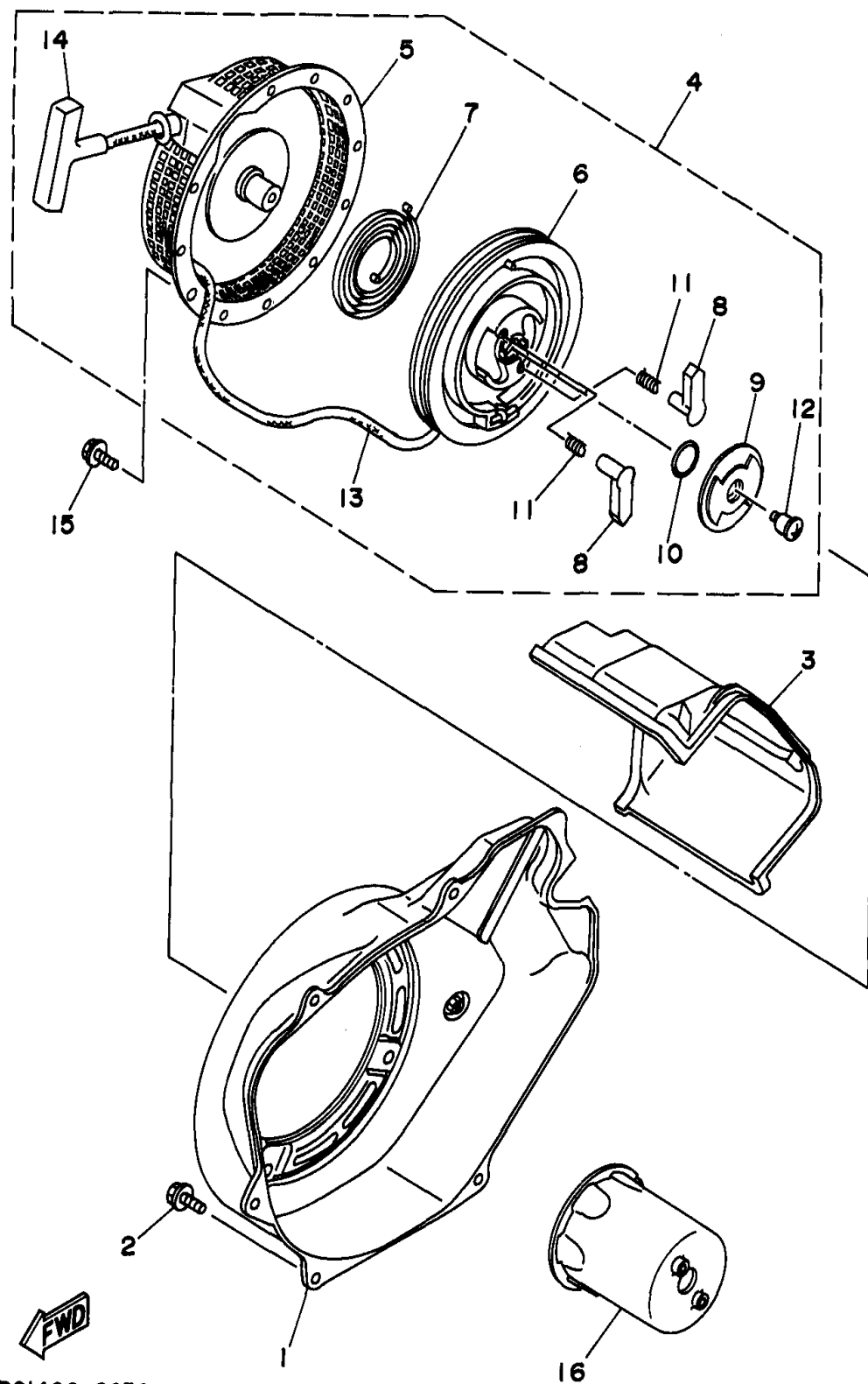
Ref. No.	Part Number	Description	Qty	Remarks
1	7RH-12170-00-00	CAMSHAFT ASSY 1 .....	1	
2	7NJ-12287-00-00	. .SPRING, DECOMPRESSION .	1	
3	JN6-12111-01-00	VALVE, INTAKE .....	1	
4	7RH-12121-00-00	VALVE, EXHAUST .....	1	
5	JN6-12153-00-00	LIFTER, VALVE .....	2	
6	90501-264A9-00	SPRING, COMPRESSION .....	2	
7	J38-12117-01-00	RETAINER, VALVE SPRING ..	2	
8	J38-12118-00-00	COTTER, VALVE .....	2	
9	JN6-12151-00-00	ARM, VALVE ROCKER .....	2	
10	22F-12159-00-00	SCREW, VALVE ADJUSTING ..	2	
11	90170-05302-00	NUT .....	2	
12	J38-12156-00-00	SHAFT, ROCKER 2 .....	1	
13	JN6-12154-00-00	ROD, VALVE PUSH .....	2	
14	5H0-12119-00-00	SEAL, VALVE STEM .....	1	



7RG1400-6040



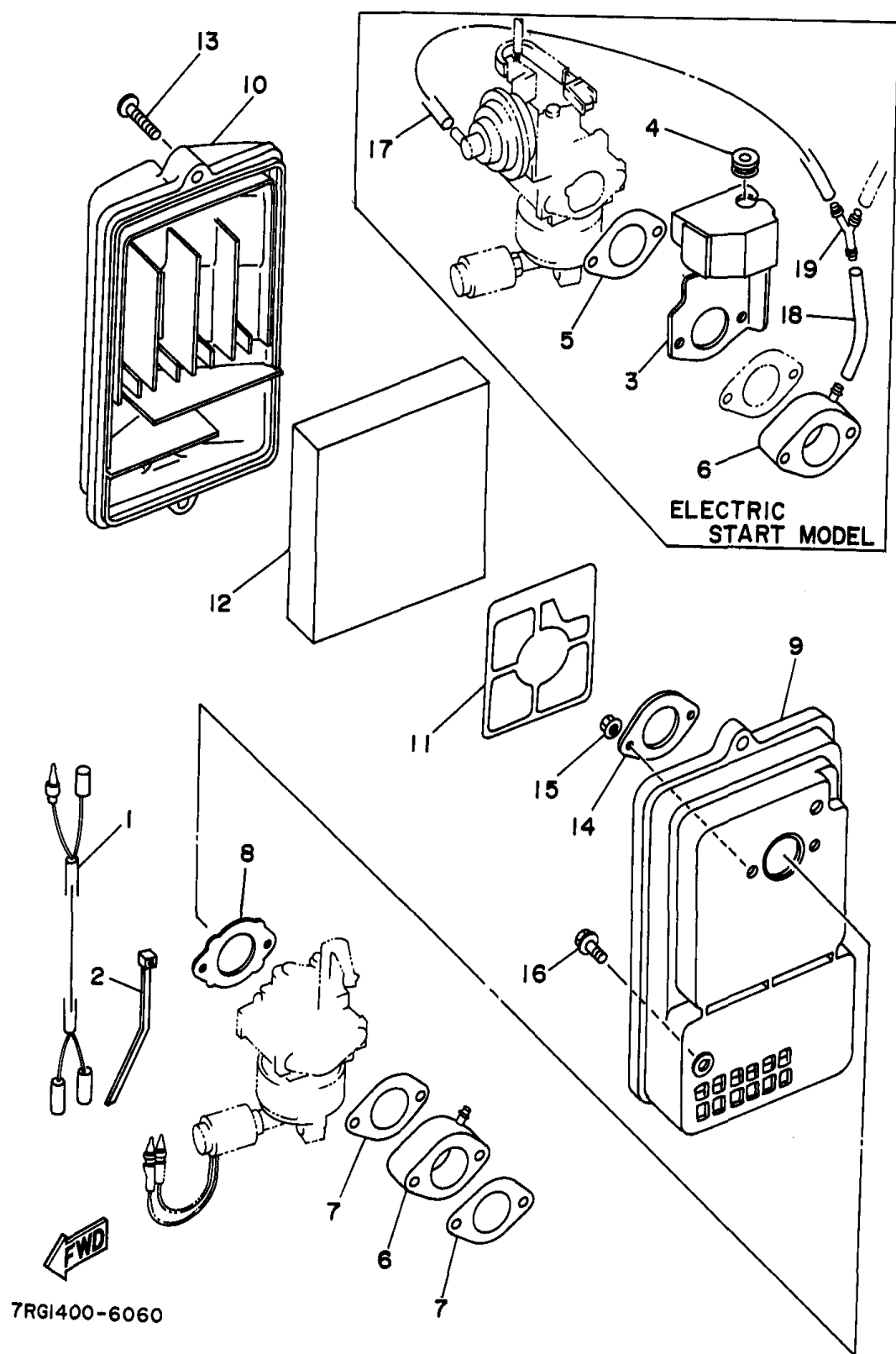
# AIR SHROUD - STARTER (ALL MODELS)



Ref. No.	Part Number	Description	Qty	Remarks
1	7RH-12621-00-00	CASE, FAN .....	1	
2	95817-06012-00	BOLT, FLANGE .....	5	
3	7RH-12651-00-00	AIR SHROUD, CYLINDER 1 ...	1	
4	7RH-15710-00-00	STARTER ASSY .....	1	
5	7RH-15711-00-00	..CASE, STARTER .....	1	
6	7RH-15714-00-00	..DRUM, SHEAVE .....	1	
7	7RH-15713-00-00	..SPRING, STARTER .....	1	
8	7RH-15741-00-00	..PAWL, DRIVE .....	1	
9	7RH-15716-00-00	..PLATE, DRIVE .....	1	
10	7RH-15715-00-00	..SPRING, FRICTION .....	1	
11	JK4-15743-00-00	..SPRING, RETURN .....	2	
12	7NJ-15793-00-00	..SCREW .....	1	
13	7R4-15751-00-00	..WIRE, STARTER .....	1	
14	7RH-15755-00-00	..HANDLE, STARTER .....	1	
15	95807-06008-00	BOLT, FLANGE .....	4	
16	7RH-15723-00-00	PULLEY, STARTER .....	1	

7RGI400-6050

# INTAKE (ALL MODELS)



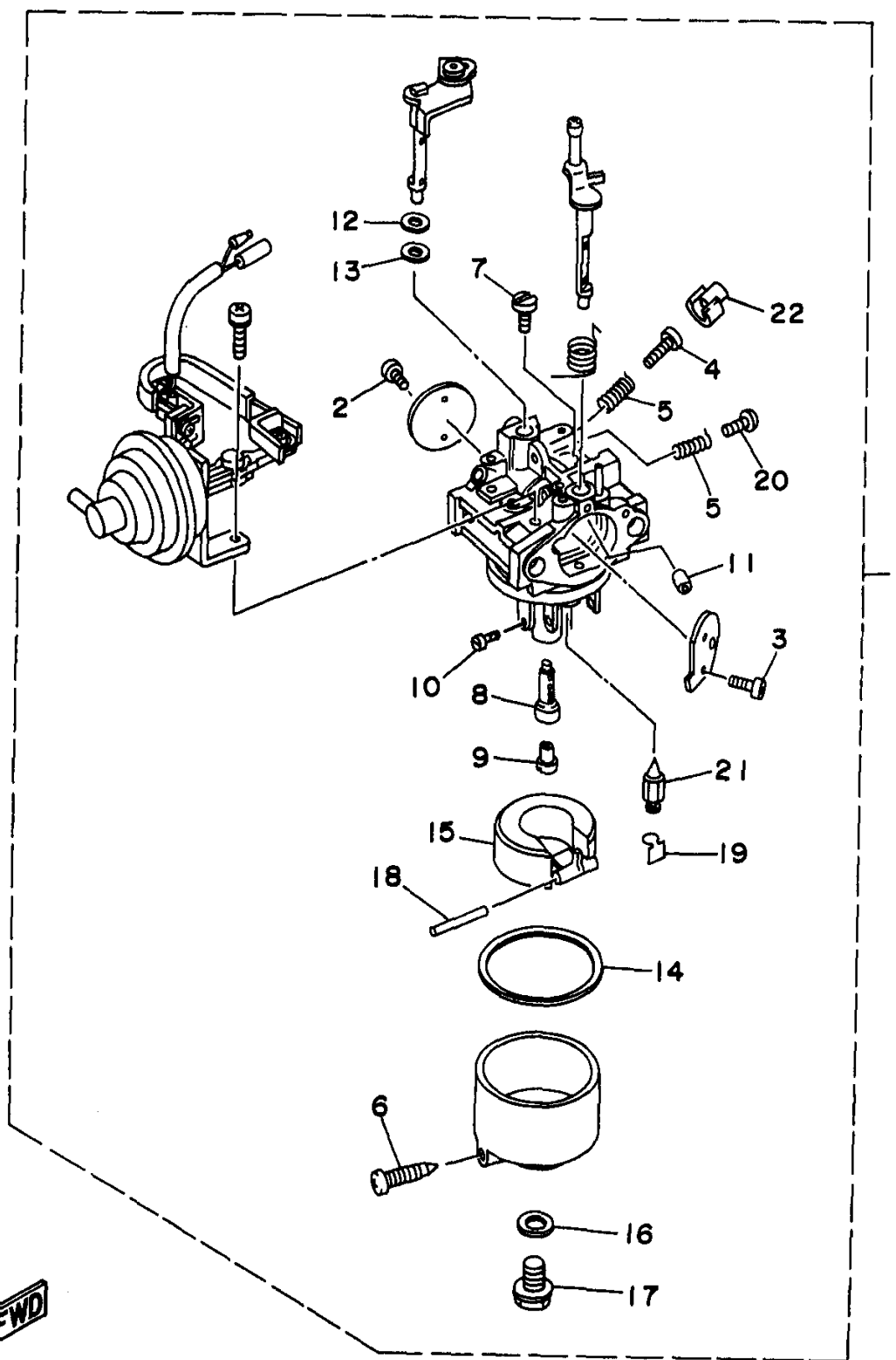
Ref. No.	Part Number	Description	Qty	Remarks
1	7RH-82507-00-00	WIRE, LEAD .....	1	YG6
2	7G5-87188-00-00	BINDER .....	1	YG6
3	7RH-14283-00-00	COVER, CARBURETOR 1 .....	1	EL. START
4	90480-13016-00	GROMMET .....	1	EL. START
5	7RH-13557-00-00	GASKET .....	1	EL. START
6	7RH-13596-10-00	JOINT, CARBURETOR 2 .....	1	UR MANUAL START
	7RH-13596-00-00	JOINT, CARBURETOR 2 .....	1	UR EL. START
7	7RH-13557-00-00	GASKET .....	2	
8	7RH-13567-00-00	GASKET .....	1	
9	7RH-14411-00-00	CASE, AIR CLEANER 1 .....	1	
10	7RH-14412-00-00	CAP, CLEANER CASE 1 .....	1	
11	7RH-14468-00-00	PLATE, ELEMENT FITTING ...	1	
12	7RH-14451-00-00	ELEMENT, AIR CLEANER .....	1	
13	7RH-14429-00-00	SCREW .....	2	
14	7LV-14477-00-00	PLATE .....	1	
15	95707-08500-00	NUT, FLANGE .....	2	
16	95807-06016-00	BOLT, FLANGE .....	1	
17	90445-08743-00	HOSE .....	1	EL. START
18	90445-08741-00	HOSE (L45) .....	1	EL. START
19	90413-05013-00	WAY 3 .....	1	EL. START

7RGI400-6060

# CARBURETOR 1 (EF4600DE AUTO CHOKE)

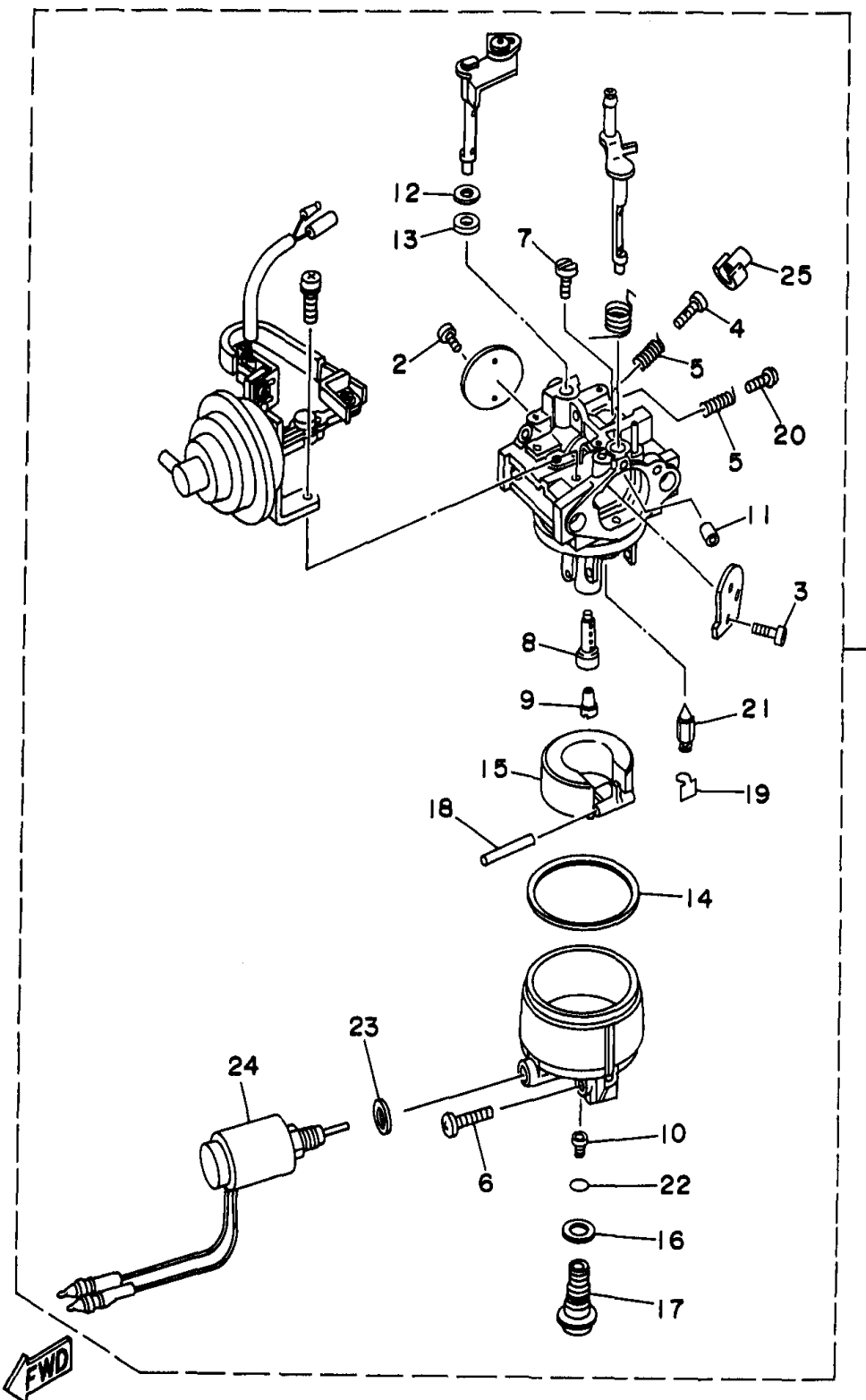
Ref. No.	Part Number	Description	Qty	Remarks
----------	-------------	-------------	-----	---------

1	7RG-14101-20-00	CARBURETOR ASSY 1	1	
2	7RH-14216-00-00	..SCREW	2	
3	7RH-14486-00-00	..SCREW, ROD	2	
4	7NJ-14211-00-00	..SCREW, PILOT ADJUSTING	1	
5	73A-14212-00-00	..SPRING	2	
6	7E1-14191-00-00	..PLUG, DRAIN	1	
7	620-14142-62-A0	..JET, PILOT (#62.5)	1	
8	7LW-14941-53-00	..NOZZLE, MAIN	1	
9	73A-1414G-00-00	..PIPE, MAIN BREED	1	
10	3G2-1423E-39-A0	..JET, MAIN (#98.8)	1	
11	7U6-24462-00-00	..PILOT AIR JET	1	
12	4CW-14117-00-00	..WASHER, PLUG SCREW	1	
13	7X9-14239-00-00	..SEAL	1	
14	796-14184-00-00	..GASKET, FLOAT CHAMBER	1	
15	7KY-14185-00-00	..FLOAT	1	
16	127-14198-00-00	..GASKET	1	
17	7RG-14162-00-00	..BOLT, HOLDING	1	
18	22F-14186-00-00	..PIN, FLOAT	1	
19	7EG-14159-00-00	..CLIP	1	
20	1WG-14922-00-00	..SCREW, THROTTLE	1	
21	73A-14150-00-00	..NEEDLE ASSY	1	
22	7LV-14118-00-00	..CAP (CUT AWAY 1/8)	1	



7RG1400-6110

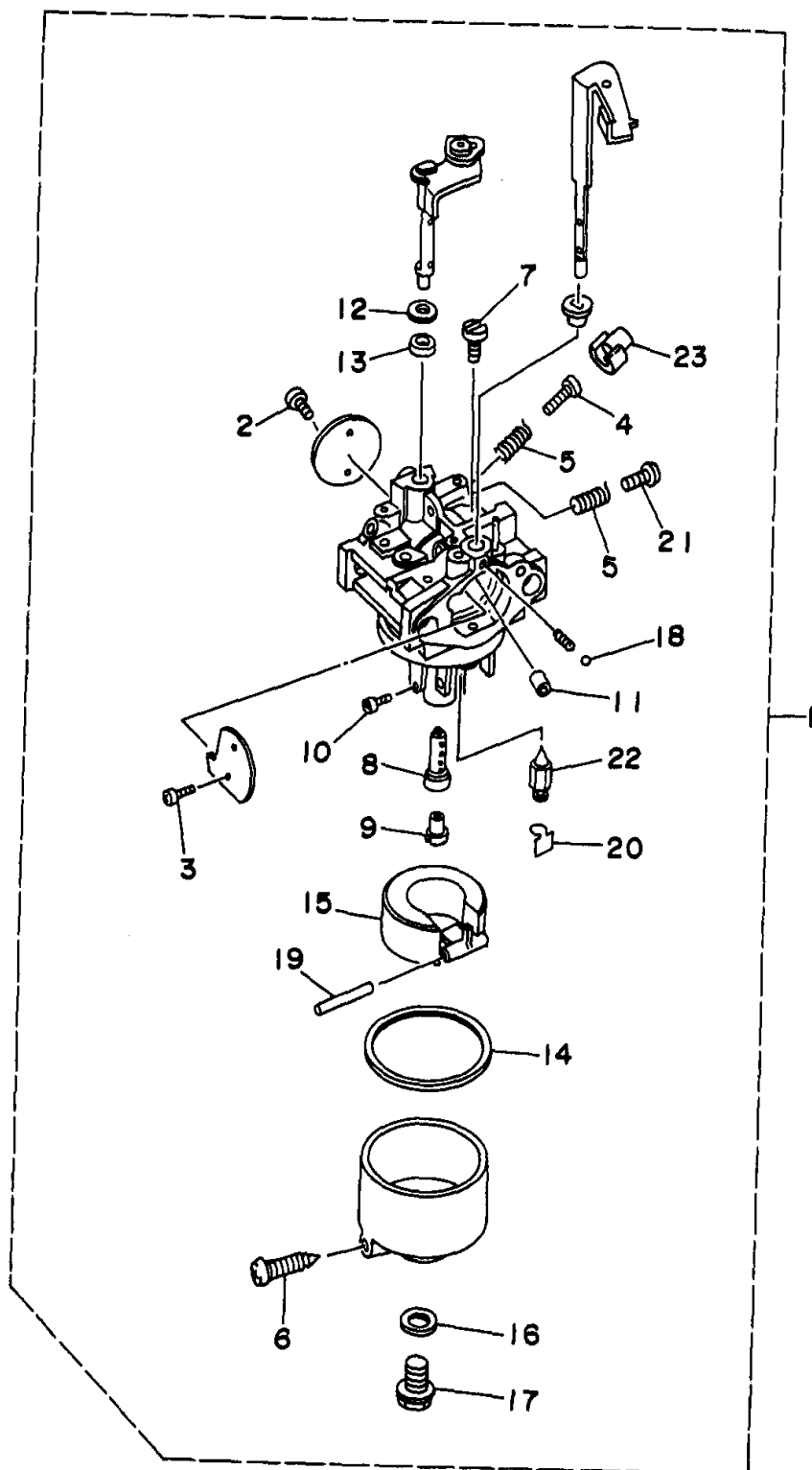
# CARBURETOR 2 (EF6600DE - YG6600DE AUTO CH



Ref. No.	Part Number	Description	Qty	Remarks
1	7RH-14101-20-00	CARBURETOR ASSEMBLY 1	1	
2	7RH-14216-00-00	.SCREW	2	
3	7RH-14486-00-00	.SCREW, ROD	2	
4	7NJ-14211-00-00	.SCREW, PILOT ADJUSTING	1	
5	73A-14212-00-00	.SPRING	2	
6	7RH-14191-00-00	.PLUG, DRAIN	1	
7	620-1414J-25-A0	.JET, PILOT (#63.8)	1	
8	7LW-14941-53-00	.NOZZLE, MAIN	1	
9	73A-1414G-00-00	.PIPE, MAIN BREED	1	
10	1HX-1423E-39-A0	.JET, MAIN (#98.8)	1	
11	7U6-24462-00-00	.PILOT AIR JET	1	
12	4CW-14117-00-00	.WASHER, PLUG SCREW	1	
13	7X9-14239-00-00	.SEAL	1	
14	796-14184-00-00	.GASKET, FLOAT CHAMBER	1	
15	7KY-14185-00-00	.FLOAT	1	
16	78A-14227-00-00	.WASHER	1	
17	7RH-14162-00-00	.BOLT, HOLDING	1	
18	22F-14186-00-00	.PIN, FLOAT	1	
19	7EG-14159-00-00	.CLIP	1	
20	1WG-14922-00-00	.SCREW, THROTTLE	1	
21	73A-14150-00-00	.NEEDLE ASSY	1	
22	36Y-14147-00-00	.O-RING	1	
23	256-14956-01-00	.WASHER	1	
24	7RH-1410H-00-00	.FUEL CUT SOLENOID VALVE	1	
25	7LV-14118-00-00	.CAP (CUT AWAY 1/8)	1	

7RG1400-6120

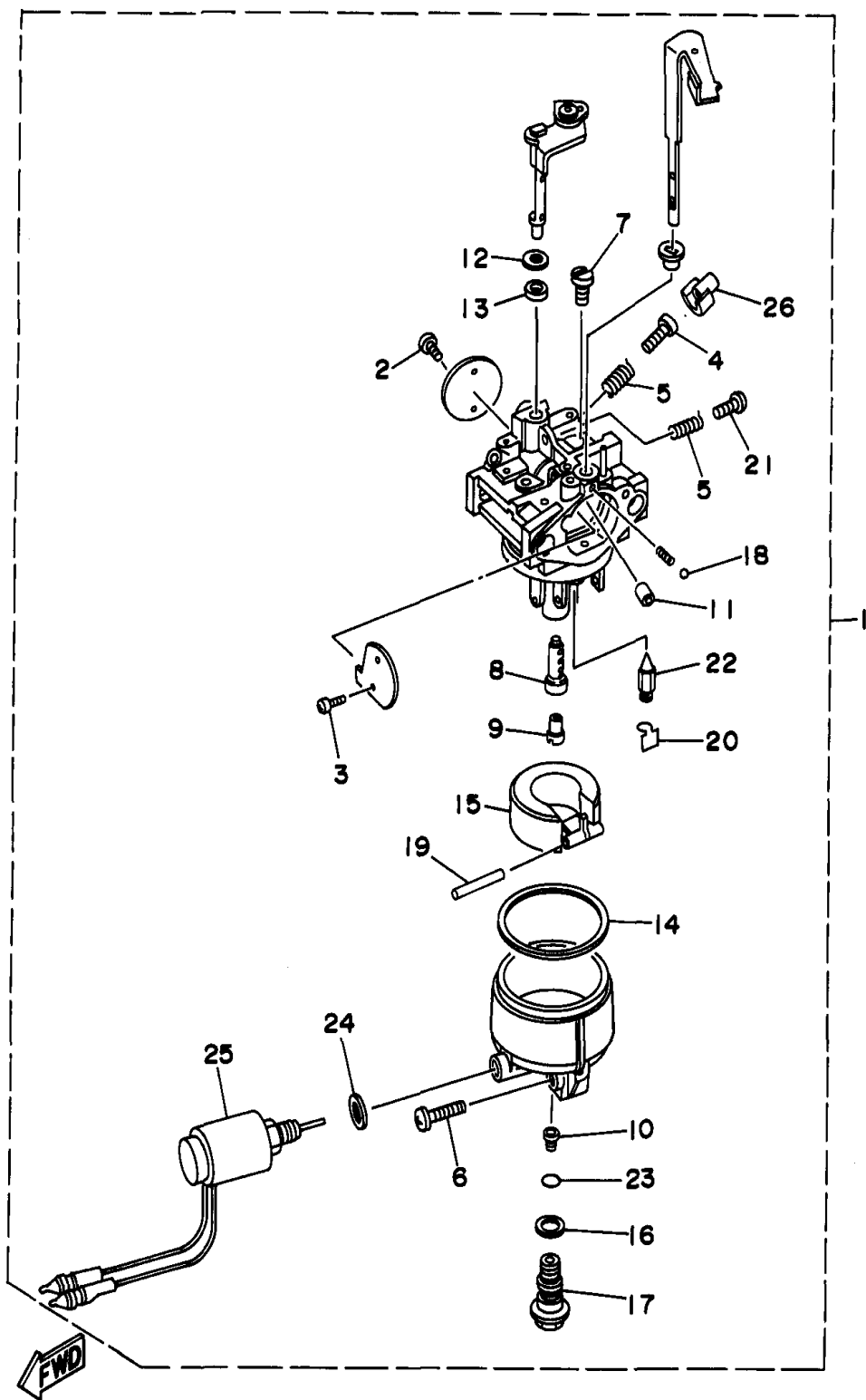
# CARBURETOR 3 (YG4600D MANUAL CHOKE)



Ref. No.	Part Number	Description	Qty	Remarks
1	7RT-14101-30-00	CARBURETOR ASSY 1	1	
2	7RH-14216-00-00	.SCREW	2	
3	7RH-14486-00-00	.SCREW, ROD	2	
4	7NJ-14211-00-00	.SCREW, PILOT ADJUSTING	1	
5	73A-14212-00-00	.SPRING	2	
6	7E1-14191-00-00	.PLUG, DRAIN	1	
7	620-14142-62-A0	.JET, PILOT (#62.5)	1	
8	7LW-14941-53-00	.NOZZLE, MAIN	1	
9	73A-1414G-00-00	.PIPE, MAIN BREED	1	
10	3G2-1423E-39-A0	.JET, MAIN (#98.8)	1	
11	7U6-24462-00-00	.PILOT AIR JET	1	
12	4CW-14117-00-00	.WASHER, PLUG SCREW	1	
13	7X9-14239-00-00	.SEAL	1	
14	796-14184-00-00	.GASKET, FLOAT CHAMBER	1	
15	7KY-14185-00-00	.FLOAT	1	
16	127-14198-00-00	.GASKET	1	
17	7RG-14162-00-00	.BOLT, HOLDING	1	
18	93501-08001-00	.BALL	1	
19	22F-14186-00-00	.PIN, FLOAT	1	
20	7EG-14159-00-00	.CLIP	1	
21	1WG-14922-00-00	.SCREW, THROTTLE	1	
22	73A-14150-00-00	.NEEDLE ASSY	1	
23	7LV-14118-00-00	.CAP (CUT AWAY 1/8)	1	

7RG1400-6130

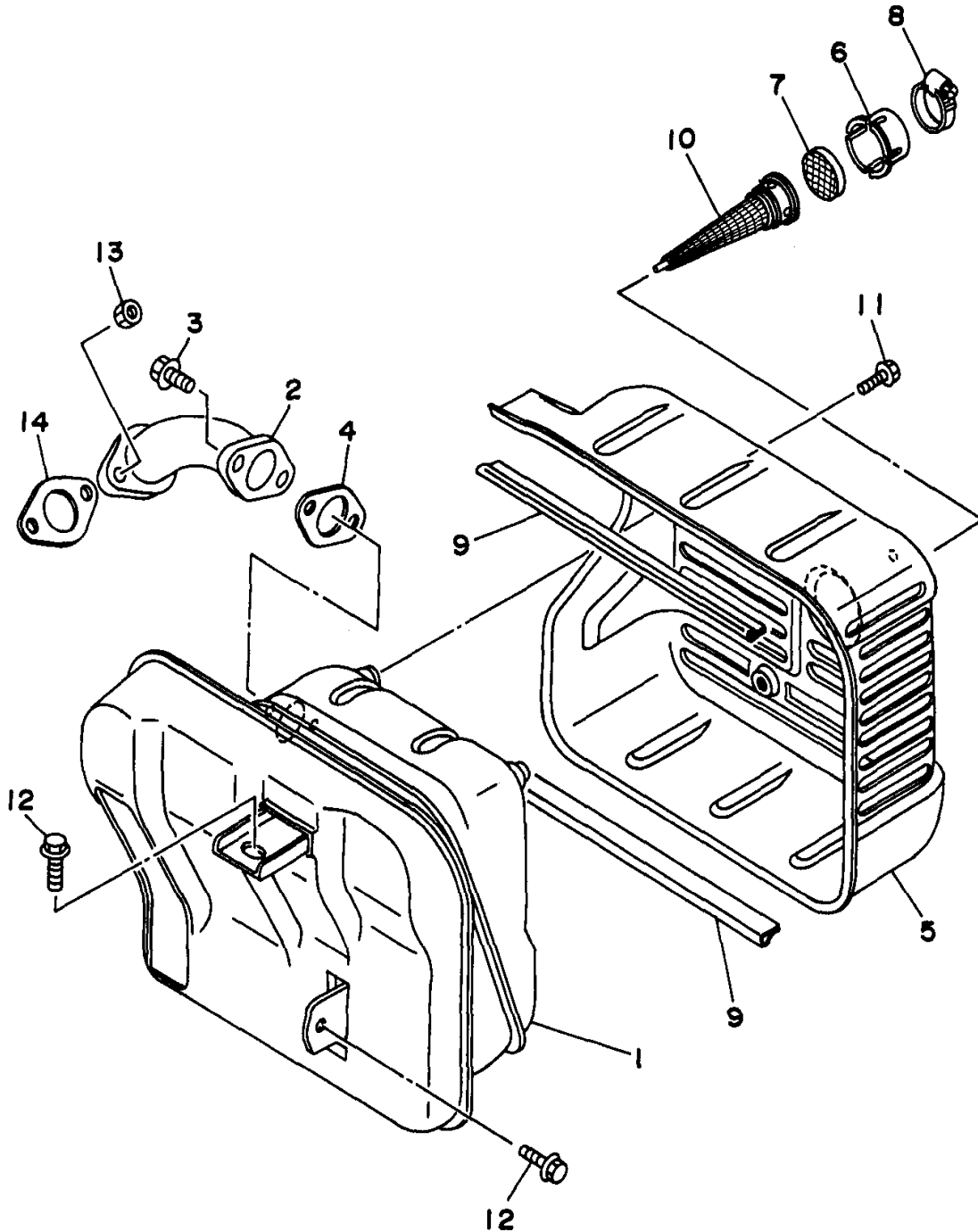
# CARBURETOR 4 (YG6600D MANUAL CHOKE)



Ref. No.	Part Number	Description	Qty	Remarks
1	7RU-14101-30-00	CARBURETOR ASSEMBLY 1	1	
2	7RH-14216-00-00	.SCREW	2	
3	7RH-14486-00-00	.SCREW, ROD	2	
4	7NJ-14211-00-00	.SCREW, PILOT ADJUSTING	1	
5	73A-14212-00-00	.SPRING	2	
6	7RH-14191-00-00	.PLUG, DRAIN	1	
7	620-1414J-25-A0	.JET, PILOT (#63.8)	1	
8	7LW-14941-53-00	.NOZZLE, MAIN	1	
9	73A-1414G-00-00	.PIPE, MAIN BREED	1	
10	1HX-1423E-39-A0	.JET, MAIN (#98.8)	1	
11	7U6-24462-00-00	.PILOT AIR JET	1	
12	4CW-14117-00-00	.WASHER, PLUG SCREW	1	
13	7X9-14239-00-00	.SEAL	1	
14	796-14184-00-00	.GASKET, FLOAT CHAMBER	1	
15	7KY-14185-00-00	.FLOAT	1	
16	78A-14227-00-00	.WASHER	1	
17	7RH-14162-00-00	.BOLT, HOLDING	1	
18	93501-08001-00	.BALL	1	
19	22F-14186-00-00	.PIN, FLOAT	1	
20	7EG-14159-00-00	.CLIP	1	
21	1WG-14922-00-00	.SCREW, THROTTLE	1	
22	73A-14150-00-00	.NEEDLE ASSY	1	
23	36Y-14147-00-00	.O-RING	1	
24	256-14956-01-00	.WASHER	1	
25	7RH-1410H-00-00	.FUEL CUT SOLENOID VALVE	1	
26	7LV-14118-00-00	.CAP (CUT AWAY 1/8)	1	

7RGI400-6140

# EXHAUST

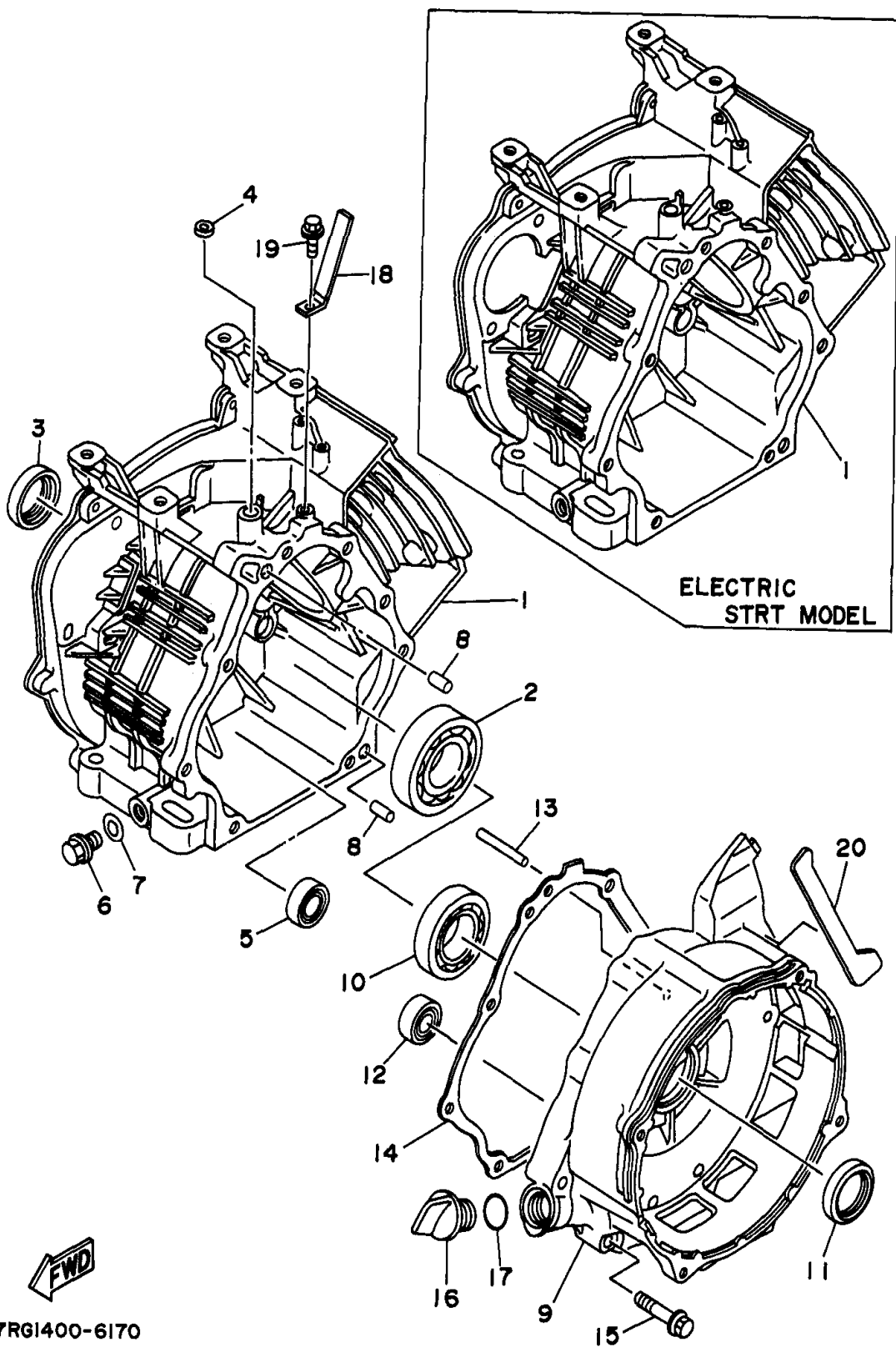


Ref. No.	Part Number	Description	Qty	Remarks
1	7RH-14721-00-00	MUFFLER 2 .....	1	
2	7RH-14611-00-00	PIPE, EXHAUST 1 .....	1	
3	95817-08020-00	BOLT, FLANGE .....	2	
4	7RH-14623-00-00	GASKET, EXHAUST PIPE ....	1	
5	7RH-14718-00-00	PROTECTOR, MUFFLER 1 ....	1	
6	7RH-14799-10-00	CAP .....	1	
7	7RH-1479E-10-00	NET, WIRE 2 .....	1	
8	90460-38285-00	CLAMP, HOSE .....	1	
9	7RH-14737-00-00	DAMPER, MUFFLER .....	2	
10	7LR-14786-00-00	ARRESTER, SPARK .....	1	
11	95807-06008-00	BOLT, FLANGE .....	4	
12	95817-08016-00	BOLT, FLANGE .....	2	
13	95337-08600-00	NUT .....	2	
14	7KY-14613-01-00	GASKET, EXHAUST PIPE ....	1	



7RGI400-6160

# CRANKCASE (ALL MODELS)



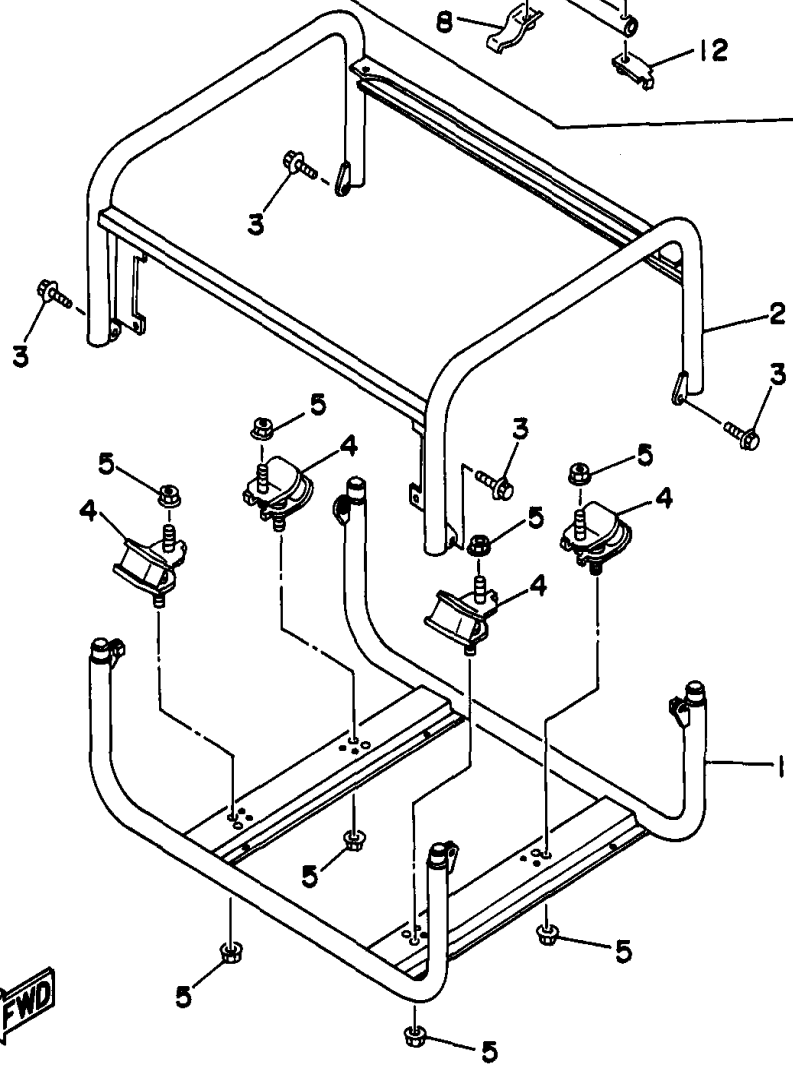
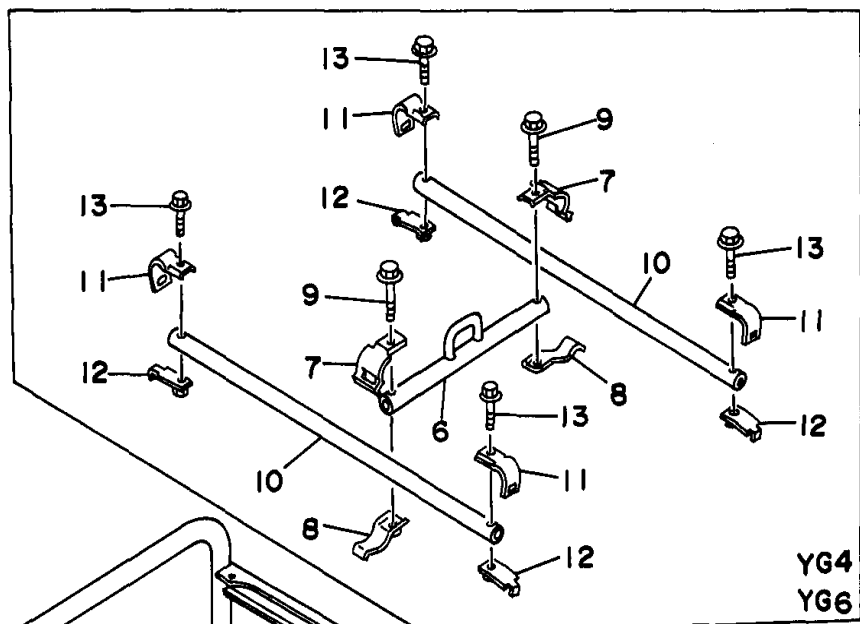
Ref. No.	Part Number	Description	Qty	Remarks
1	7RG-15111-00-00	CRANKCASE 1 (MANUAL START)	1	YG4
	7RG-15111-10-00	CRANKCASE 1 (EL.START)	1	UR EF4
	7RH-15111-00-00	CRANKCASE 1 (MANUAL START)	1	YG6
	7RH-15111-10-00	CRANKCASE 1 (EL.START)	1	YG6
2	93306-30709-00	BEARING	1	
3	93102-35191-00	OIL SEAL	1	
4	93109-08050-00	OIL SEAL	1	
5	93306-20211-00	BEARING (6202SH2-C3)	1	
6	90340-12097-00	PLUG, STRAIGHT SCREW	1	
7	812-11198-00-00	GASKET	1	
8	99510-08016-00	PIN, DOWEL	2	
9	7RH-15411-00-00	COVER, CRANKCASE 1	1	
10	93306-20716-00	BEARING (93306-20714)	1	
11	93102-35191-00	OIL SEAL	1	
12	93306-20211-00	BEARING (6202SH2-C3)	1	
13	7RH-11971-00-00	SHAFT, FLYWEIGHT	1	
14	7RH-15451-00-00	GASKET, CRANKCASE COVER 1	1	
15	95817-08045-00	BOLT, FLANGE	8	
16	796-15363-01-00	PLUG, OIL	1	
17	93210-22344-00	O-RING	1	
18	90462-05061-00	CLAMP	1	
19	95817-06010-00	BOLT, FLANGE	1	
20	7RH-14757-00-00	DAMPER, MUFFLER 2	1	

7RGI400-6170



# FRAME (ALL MODELS)

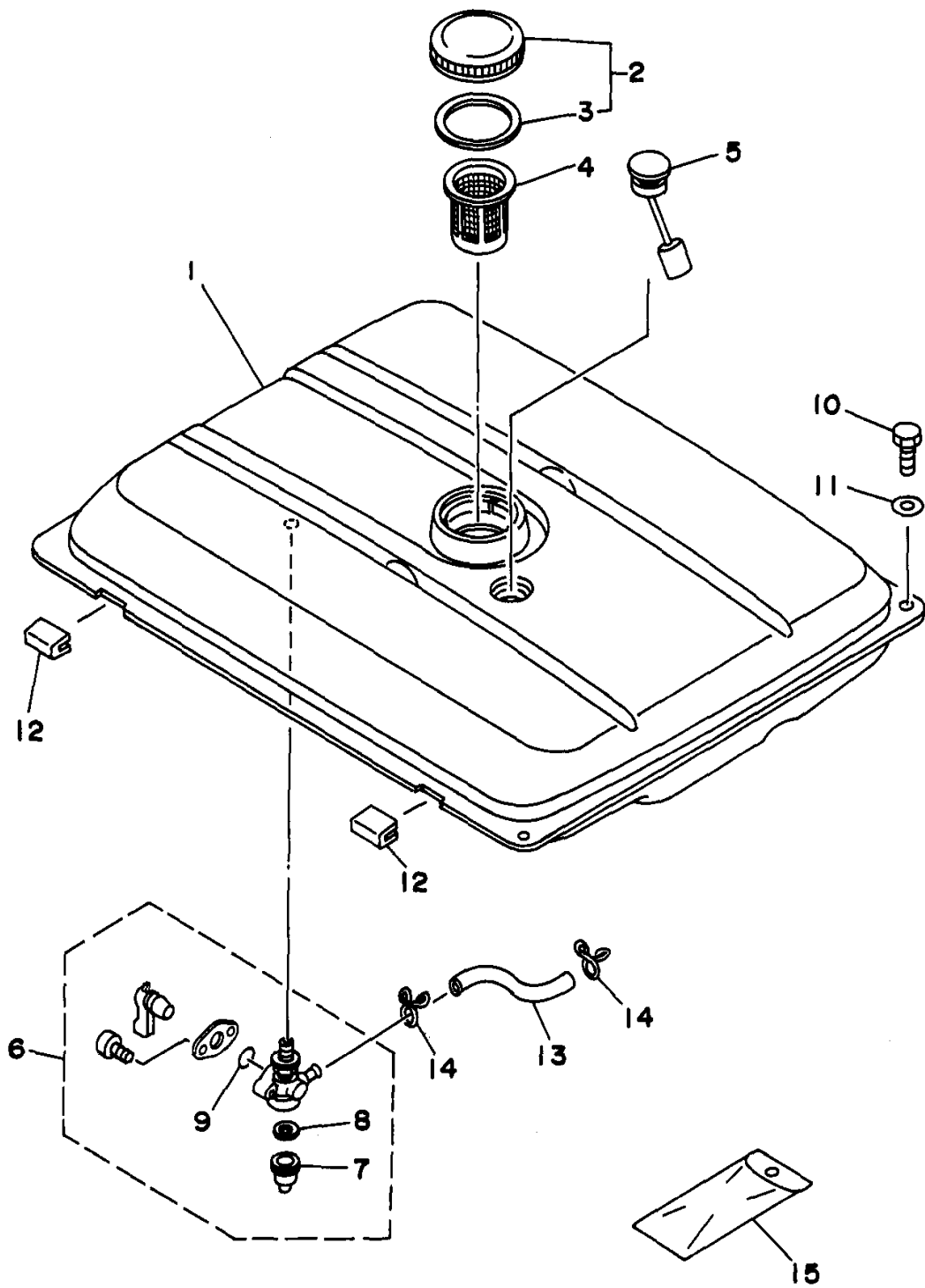
Ref. No.	Part Number	Description	Qty	Remarks
1	7RH-22840-10-00	FRAME COMP. ....	1	
2	7RH-22850-10-00	FRAME COMP. 2 ....	1	
3	95817-06010-00	BOLT, FLANGE ....	4	MANUAL START
4	7RH-22891-00-00	INSULATOR, MOUNTING ....	4	
5	95707-10500-00	NUT, FLANGE ....	8	
6	7MC-11119-00-00	HANGER, ENGINE ....	1	YG6
7	7MC-1112F-00-00	PLATE 2 ....	2	YG6
8	7MC-1111F-00-00	PLATE ....	2	YG6
9	95817-08035-00	BOLT, FLANGE ....	2	YG6
10	7RU-22825-00-00	PROTECTOR 1 ....	2	YG6
11	7RH-22864-10-00	COVER, SIDE 1 ....	4	YG6
12	7RH-2284F-10-00	PLATE 3 ....	4	YG6
13	95817-06035-00	BOLT, FLANGE ....	4	YG6



7RG1400-6190

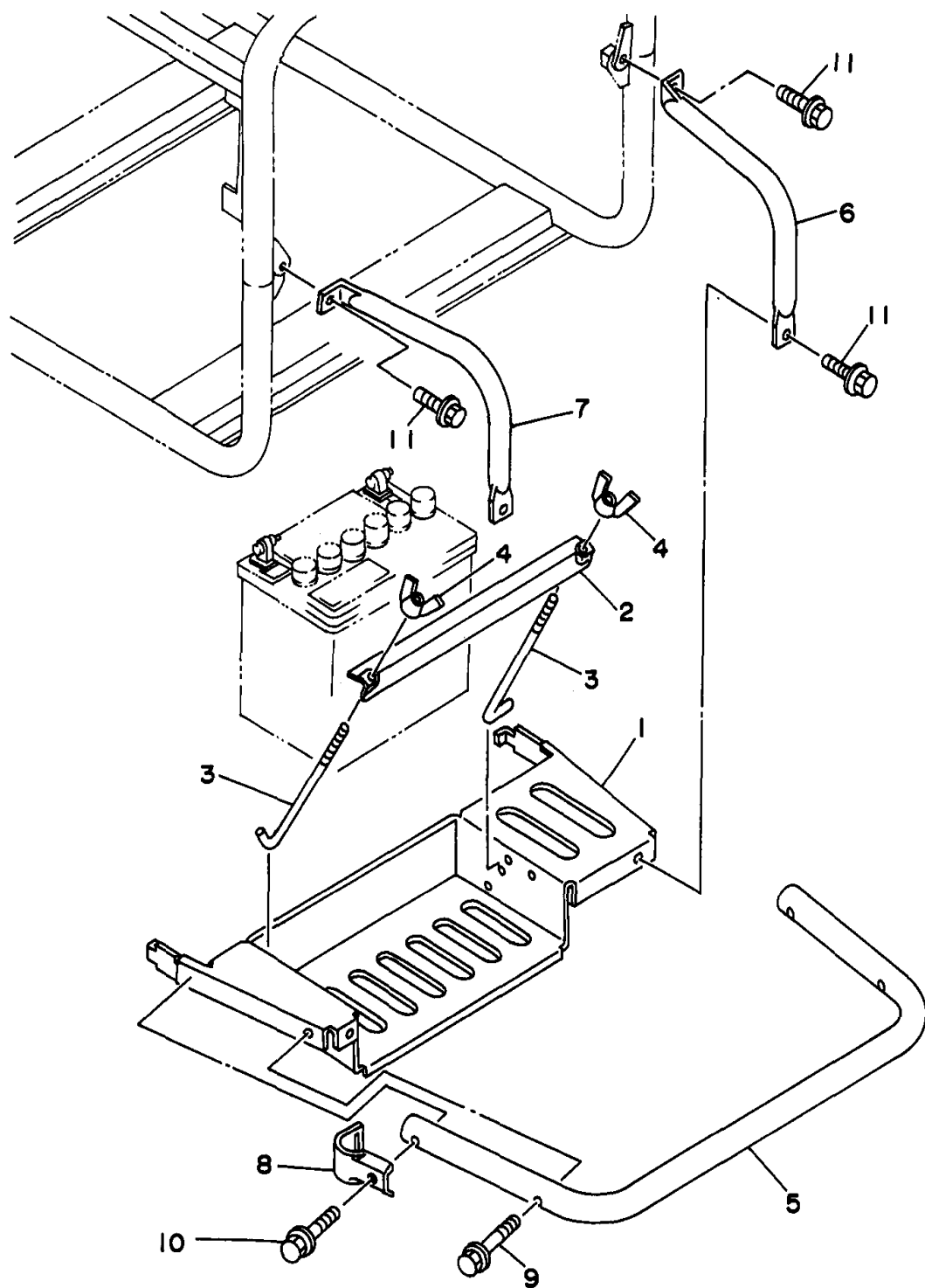
# FUEL TANK (ALL MODELS)

Ref. No.	Part Number	Description	Qty	Remarks
1	7RH-24110-00-NJ	FUEL TANK COMP. ....	1	FARAWAY BLUE (ONJ)
2	7V5-24610-01-00	CAP ASSEMBLY .....	1	
3	796-24612-00-00	..GASKET, CAP .....	1	
4	630-24167-00-00	STRAINER .....	1	
5	7F7-85710-02-00	FUEL LEVEL GAUGE ASSY ..	1	
6	7NJ-24500-01-00	FUEL COCK ASSY 1 .....	1	
7	7J3-24521-00-00	..CUP, FILTER .....	1	
8	4X8-24565-00-00	..GASKET .....	1	
9	2W6-24512-00-00	..O-RING .....	1	
10	97027-06012-00	BOLT .....	2	
11	90201-065F3-00	WASHER, PLATE .....	2	
12	7LG-24181-00-00	DAMPER, LOCATING 1 .....	2	
13	90445-10638-00	HOSE (L145) .....	1	
14	90467-09006-00	CLIP .....	2	
15	7LV-28100-00-00	TOOL KIT .....	1	



7RG1400-6200

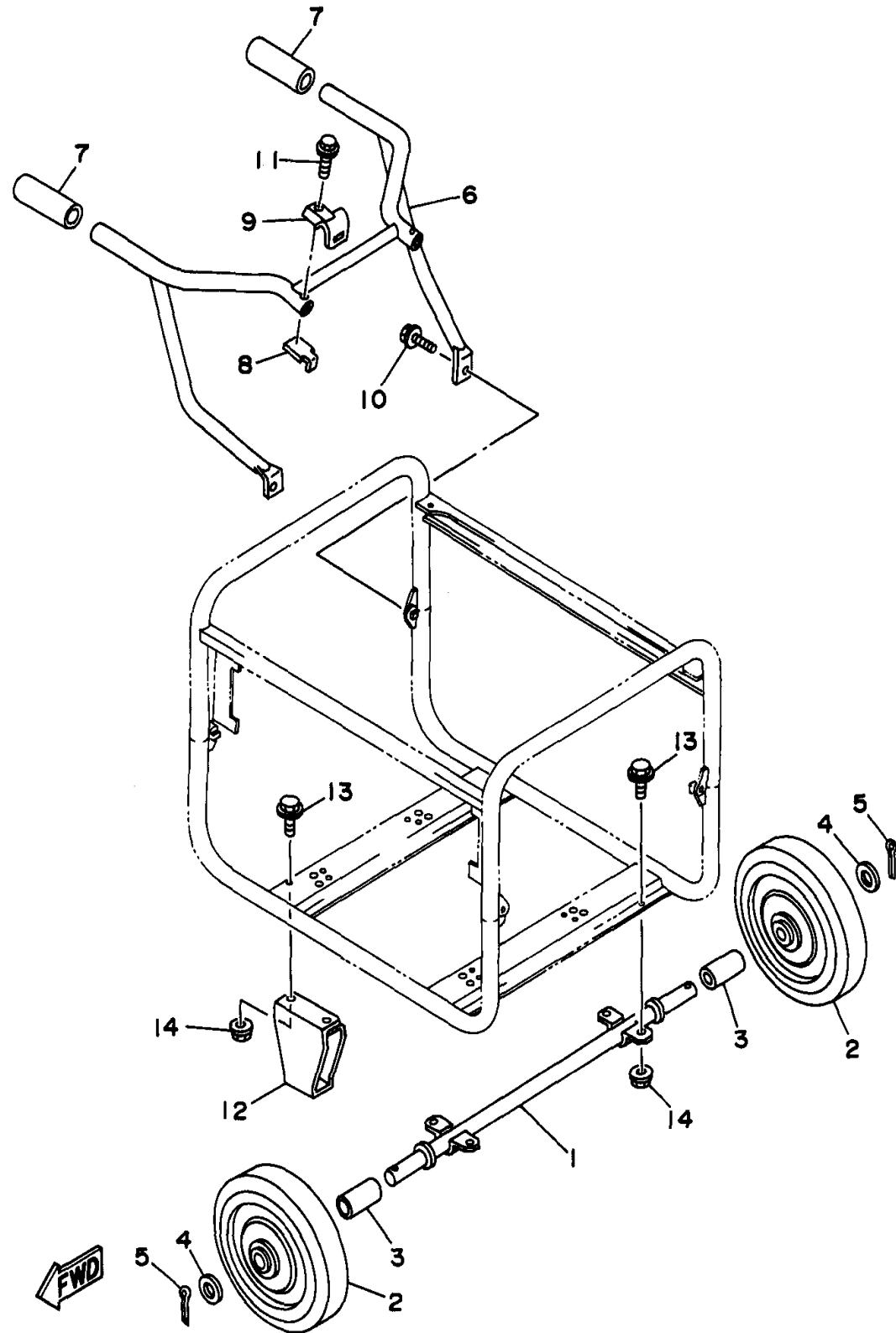
# BATTERY TRAY (ALL ELECTRIC STARTER MODEL)



Ref. No.	Part Number	Description	Qty	Remarks
1	7RH-82122-00-00	SEAT, BATTERY .....	1	
2	J55-H2136-00-00	PLATE, BATT FITTING (J17-82136-00) .....	1	
3	7LP-82133-00-00	SCREW, FITTING .....	2	
4	90175-06008-00	NUT, WING .....	2	
5	7RH-22836-10-00	STAY, 3 .....	1	
6	7RH-22838-10-00	STAY 6 .....	1	
7	7RH-22839-10-00	STAY 7 .....	1	
8	7RH-22864-10-00	COVER, SIDE 1 .....	2	
9	95817-06030-00	BOLT, FLANGE .....	2	
10	95817-06035-00	BOLT, FLANGE .....	2	
11	95817-06012-00	BOLT, FLANGE .....	4	

7RGI400-6210

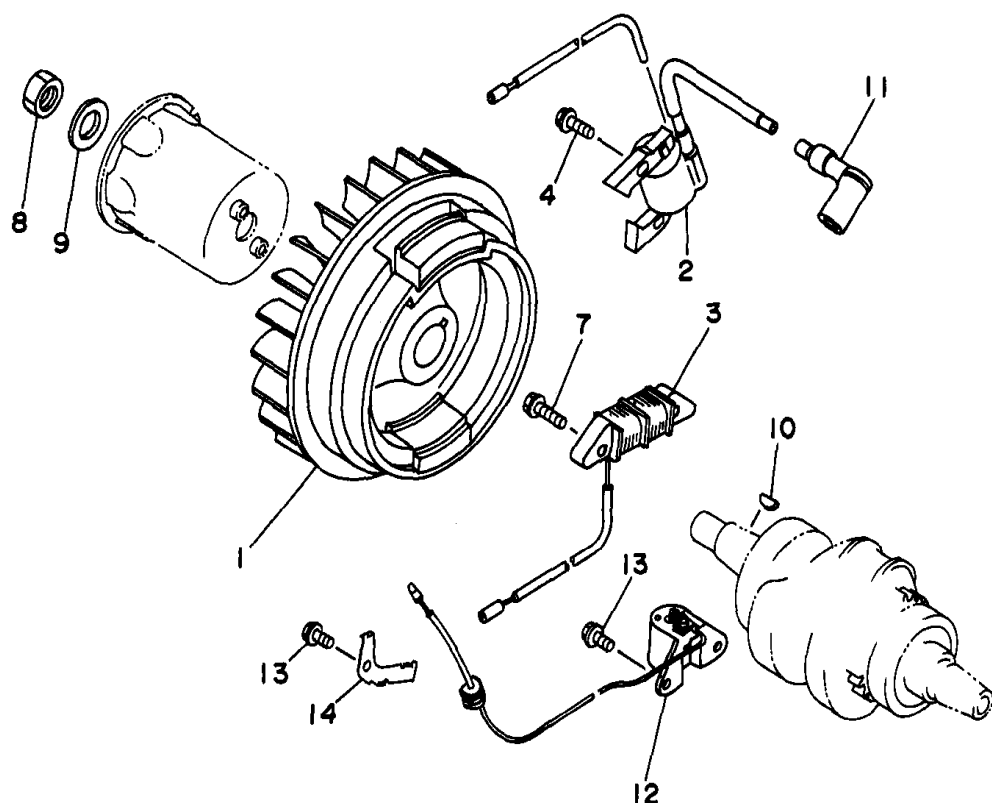
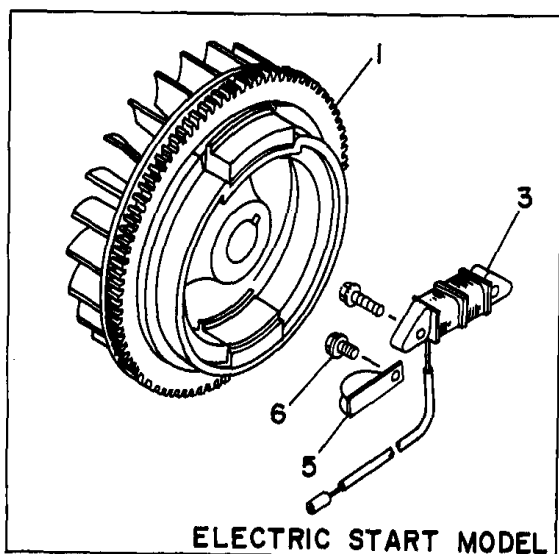
# FRONT WHEEL (ALL MODELS) OPTIONAL PARTS



Ref. No.	Part Number	Description	Qty	Remarks
1	7RH-25381-00-00	AXLE, WHEEL .....	1	
2	73A-22846-10-00	CASTER 2 .....	2	
3	73A-25322-10-00	INSERT, SHAFT .....	2	
4	92907-20600-00	WASHER .....	2	
5	91490-30045-00	PIN, COTTER .....	2	
6	7RH-26100-10-00	HANDLE ASSY .....	1	
7	801-26241-01-00	GRIP .....	2	
8	7RH-2284F-10-00	PLATE 3 .....	1	
9	7RH-22864-10-00	COVER, SIDE 1 .....	1	
10	95807-06014-00	BOLT, FLANGE .....	2	
11	95817-06035-00	BOLT, FLANGE .....	2	
12	7LR-27111-01-00	STAND, MAIN .....	2	
13	95817-08016-00	BOLT, FLANGE .....	8	
14	95707-08500-00	NUT, FLANGE .....	8	

7RG1400-6220

# T - C - I - MAGNETO (ALL MODELS)



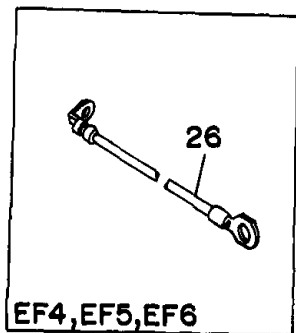
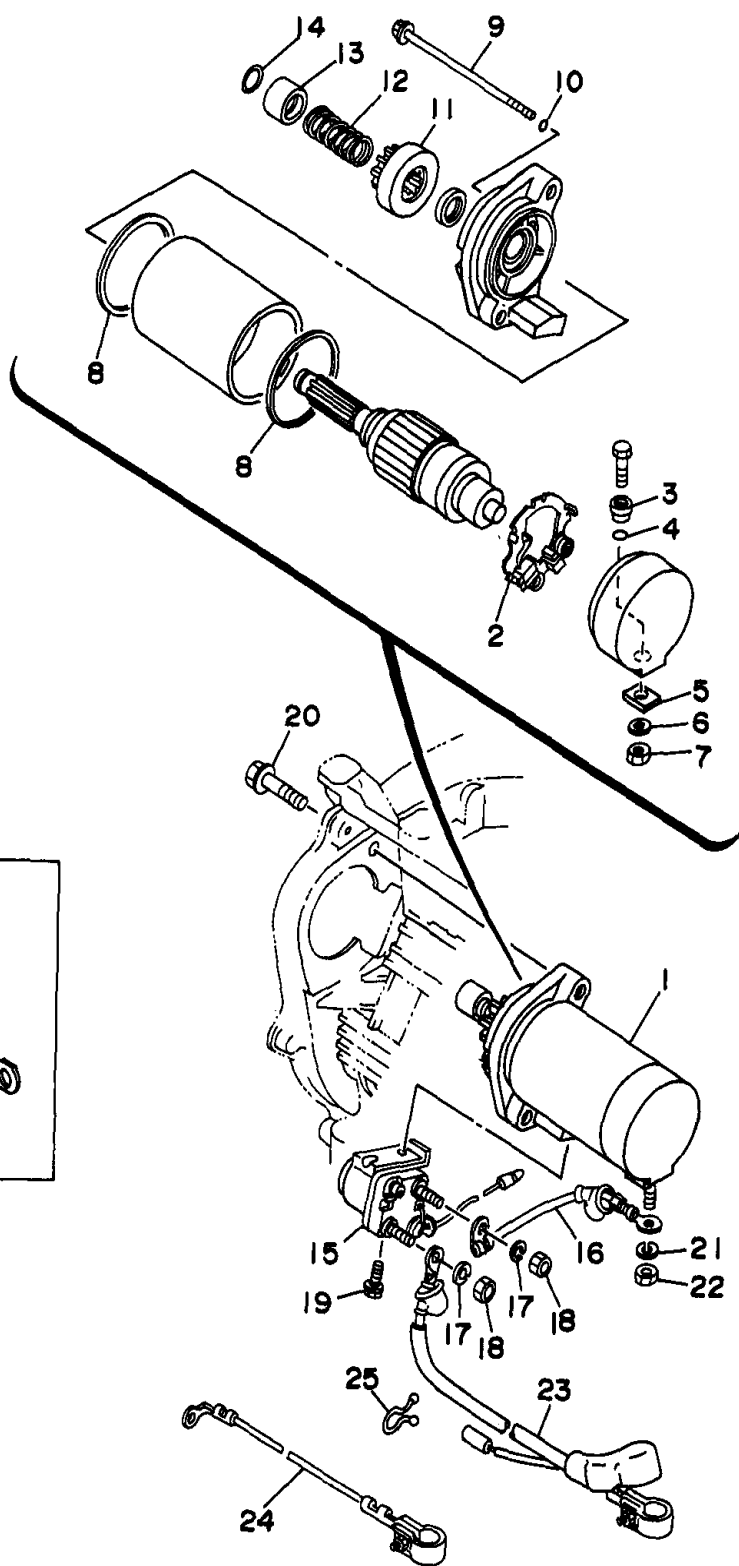
Ref. No.	Part Number	Description	Qty	Remarks
1	7RG-85650-00-00	ROTOR ASSY (MANUAL START)	1	UR EF4
	7RH-85650-00-00	ROTOR ASSY (EL. START)	1	YG6
	7RH-85650-10-00	ROTOR ASSY (MANUAL START)	1	YG6
2	7RH-85640-00-00	T.C.I. UNIT ASSY	1	
3	7RH-85521-00-00	COIL ASSY	1	UR
	7RH-85521-10-00	COIL ASSY	1	YG6
4	95880-06020-00	BOLT, FLANGE	2	
5	90462-06232-00	CLAMP	1	EL. START
6	95817-06012-00	BOLT, FLANGE	1	EL. START
7	95817-06025-00	BOLT, FLANGE	2	EL. START
8	90170-18391-00	NUT	1	
9	90201-180T9-00	WASHER, PLATE	1	
10	90280-04052-00	KEY, WOODRUFF	1	
11	8K1-82370-20-00	PLUG CAP ASSY (WITH RESISTOR)	1	
12	7RH-85720-00-00	OIL LEVEL GAUGE ASSEMBLY	1	
13	95817-06012-00	BOLT, FLANGE	3	
14	7NJ-85724-00-00	CLAMP	1	



7RG1400-6230

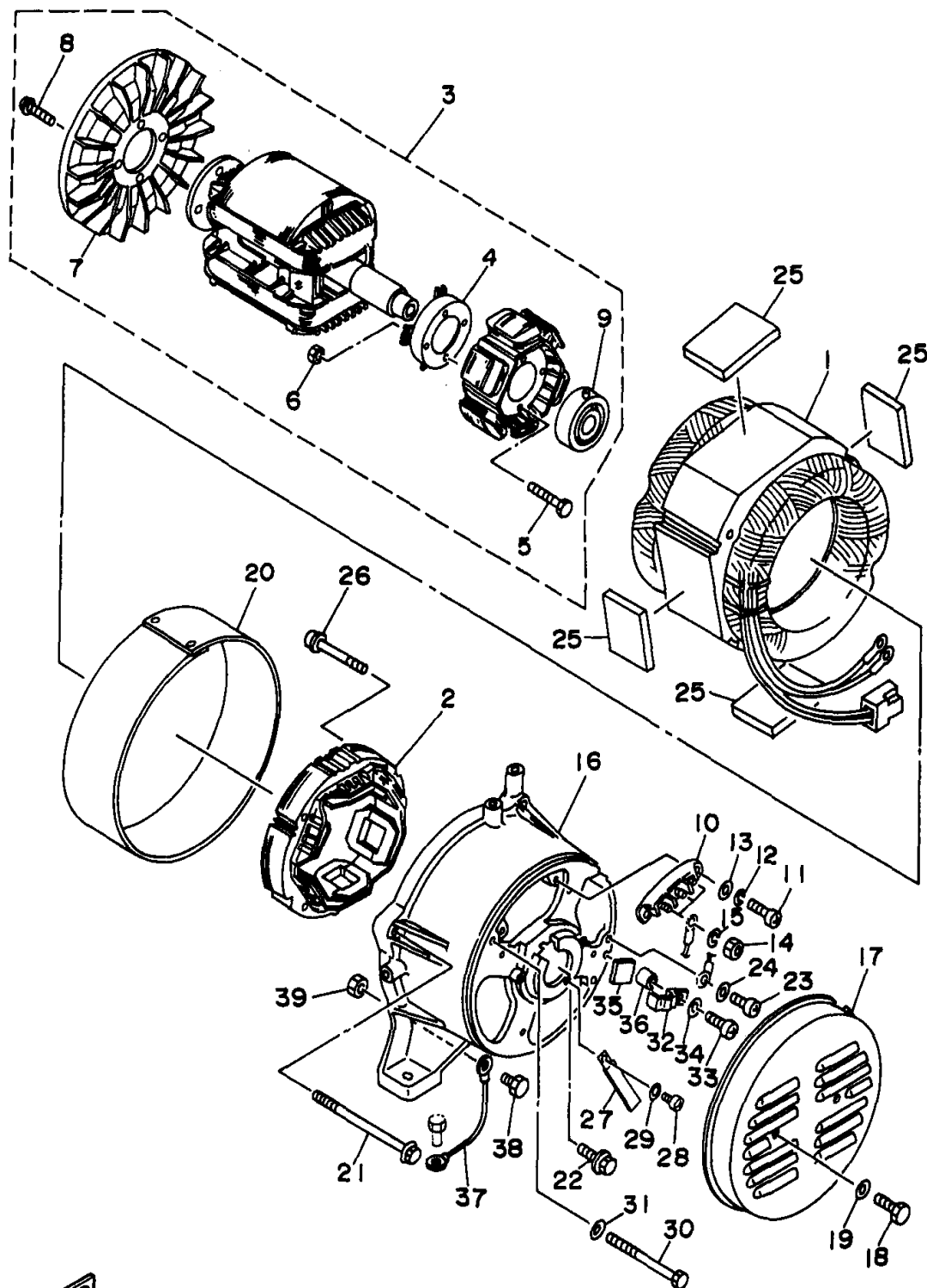
# STARTING MOTOR (ALL ELECTRIC STARTER MOD)

Ref. No.	Part Number	Description	Qty	Remarks
1	7RH-81800-00-00	STARTING MOTOR ASSY	1	
2	7RH-81840-00-00	. BRUSH HOLDER ASSY	1	
3	7RH-8182G-00-00	. .BUSH, TERMINAL	1	
4	93210-06632-00	. O-RING	1	
5	7RH-8181L-00-00	. .WASHER, PLAIN	1	
6	92907-06600-00	. WASHER, PLATE	1	
7	95304-06700-00	. NUT	1	
8	7RH-81861-00-00	. .GASKET	1	
9	7RH-81846-00-00	. SCREW	1	
10	93210-05098-00	. O-RING	1	
11	7RH-81807-00-00	. GEAR ASSY, STARTING MOTOR	1	
12	7KA-81858-00-00	. SPRING, RETURN	1	
13	7KA-81859-00-00	. STOPPER, PINION	1	
14	7KA-81833-00-00	. RING, STOP	1	
15	73A-81940-10-00	STARTER RELAY ASSY	1	
16	73A-81815-00-00	CORD, STARTER MOTOR	1	
17	92907-06100-00	WASHER, SPRING	2	
18	95317-06700-00	NUT	2	
19	95807-06016-00	BOLT, FLANGE	1	
20	95817-08035-00	BOLT, FLANGE	2	
21	92907-06100-00	WASHER, SPRING	1	
22	95317-06700-00	NUT	1	
23	73H-82115-01-00	WIRE, PLUS LEAD	1	
24	73H-82116-01-00	WIRE, MINUS LEAD	1	
25	90465-18147-00	CLAMP	1	
26	73H-82116-00-00	WIRE, MINUS LEAD	1	



**FWD**  
7RG1400-6240

# GENERATOR (EF4600DE)

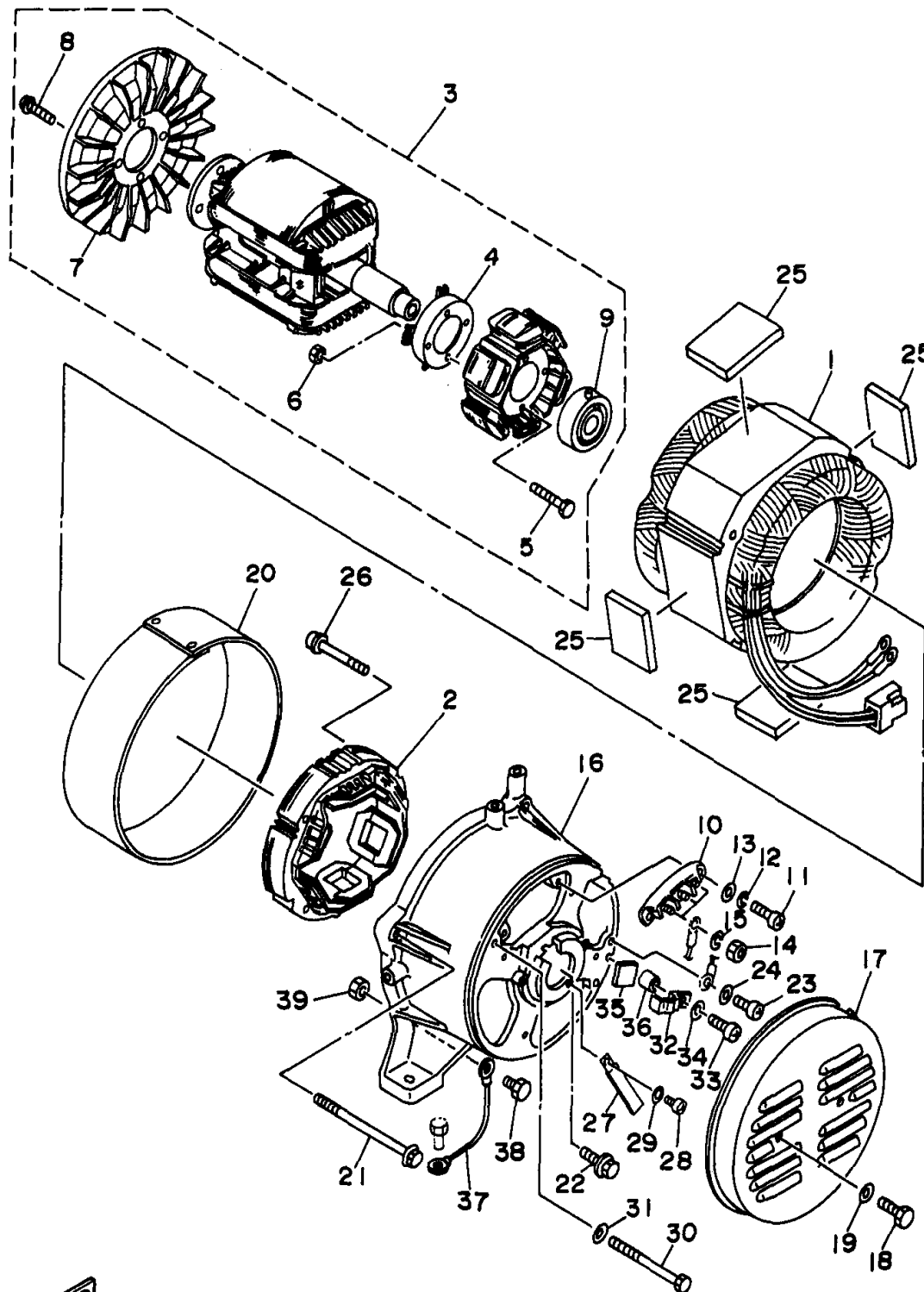


Ref. No.	Part Number	Description	Qty	Remarks
1	7RH-87150-40-00	STATOR ASSY (120V/240V-60HZ)	1	
2	73A-8712A-01-00	STATOR EXITER ASSY	1	
3	7RH-87160-00-00	ROTOR ASSEMBLY	1	
4	7LV-87115-00-00	.RECTIFIER ASSY 2	1	
5	97027-05050-00	.BOLT	4	
6	95307-05600-00	.NUT	4	
7	7LR-87172-01-00	.FAN, GENERATOR	1	
8	90159-06032-00	.SCREW, WITH WASHER	4	
9	93306-37202-00	.BEARING	1	
10	7LR-87220-00-00	TERMINAL SUB ASSY 1	1	
11	98507-05014-00	SCREW, PAN HEAD	2	
12	92907-05100-00	WASHER, SPRING	2	
13	92907-05600-00	WASHER, PLATE	2	
14	95307-05700-00	NUT	3	
15	92907-05100-00	WASHER, SPRING	3	
16	7RH-87131-00-00	FRAME, REAR	1	
17	7RH-87174-00-98	COVER, REAR END	1	
18	97017-06010-00	BOLT, WITH WASHER	2	
19	92907-06600-00	WASHER, PLATE	2	
20	7RH-87153-00-00	COVER, STATOR	1	
21	95827-06130-00	BOLT, FLANGE	4	
22	7RH-81152-00-00	BOLT	1	
23	98507-05010-00	SCREW, PAN HEAD	1	
24	92907-05600-00	WASHER, PLATE	1	
25	7LR-87159-00-00	SEAL, STATOR	4	
26	90159-05091-00	SCREW, WITH WASHER	4	
27	90462-05061-00	CLAMP	1	
28	98507-05010-00	SCREW, PAN HEAD	1	

CONTINUED ON NEXT FRAME ►

7RG1400-6280

# GENERATOR (EF4600DE)



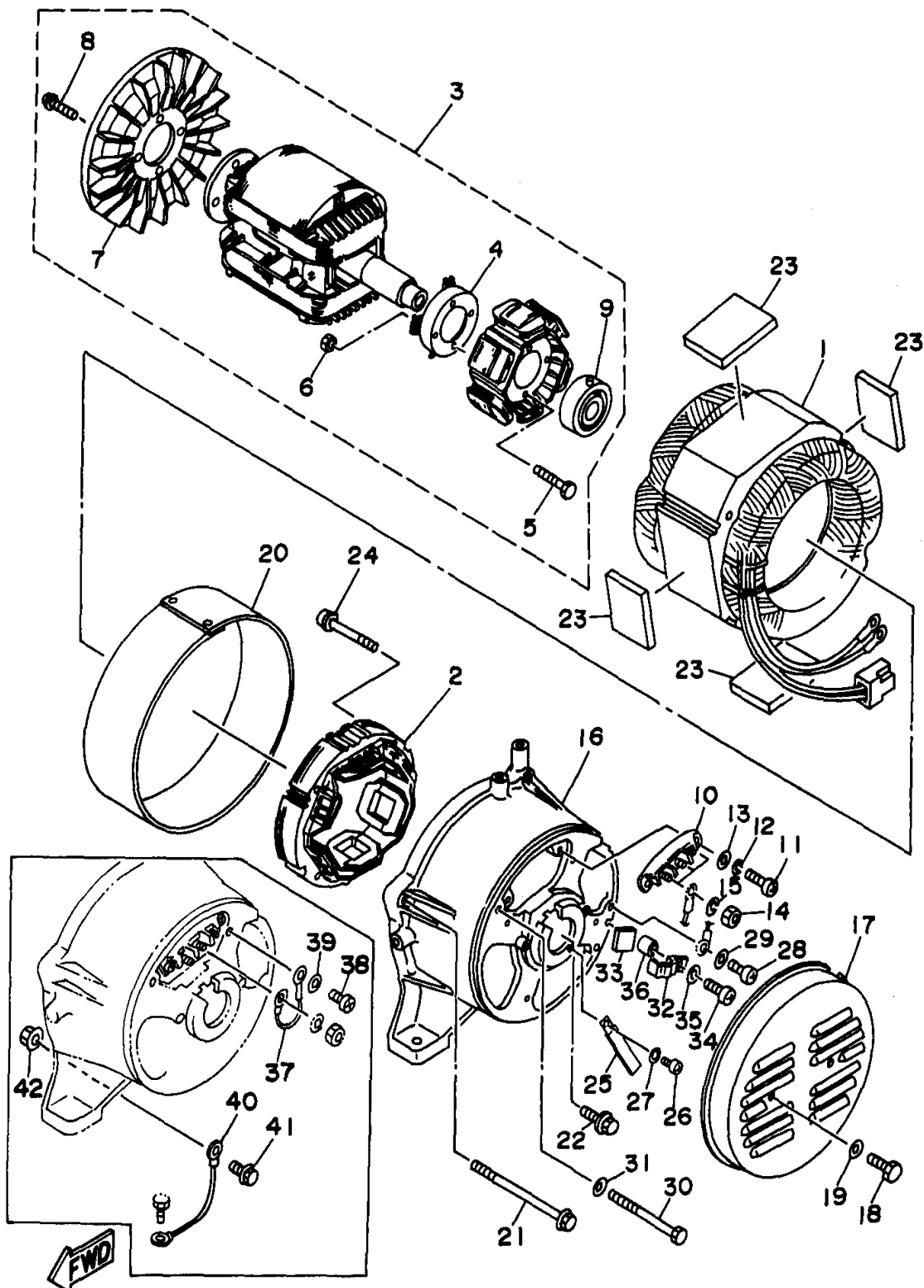
Ref. No.	Part Number	Description	Qty	Remarks
29	92907-05600-00	WASHER, PLATE .....	1	
30	90101-06739-00	BOLT .....	2	
31	92907-06600-00	WASHER, PLATE .....	2	
32	7J5-88195-00-00	HOLDER, CONNECTOR .....	1	
33	98507-05020-00	SCREW, PAN HEAD .....	1	
34	92907-05600-00	WASHER, PLATE .....	1	
35	7LV-8713J-00-00	DAMPER .....	1	
36	90387-06N38-00	COLLAR .....	1	
37	7NJ-87139-00-00	LEAD WIRE ASSY 2 .....	1	
38	95880-06010-00	BOLT, FLANGE .....	1	
39	95780-06500-00	NUT, FLANGE .....	1	



7RG1400-6280



# GENERATOR (EF6600DE, YG4600 - 6600)

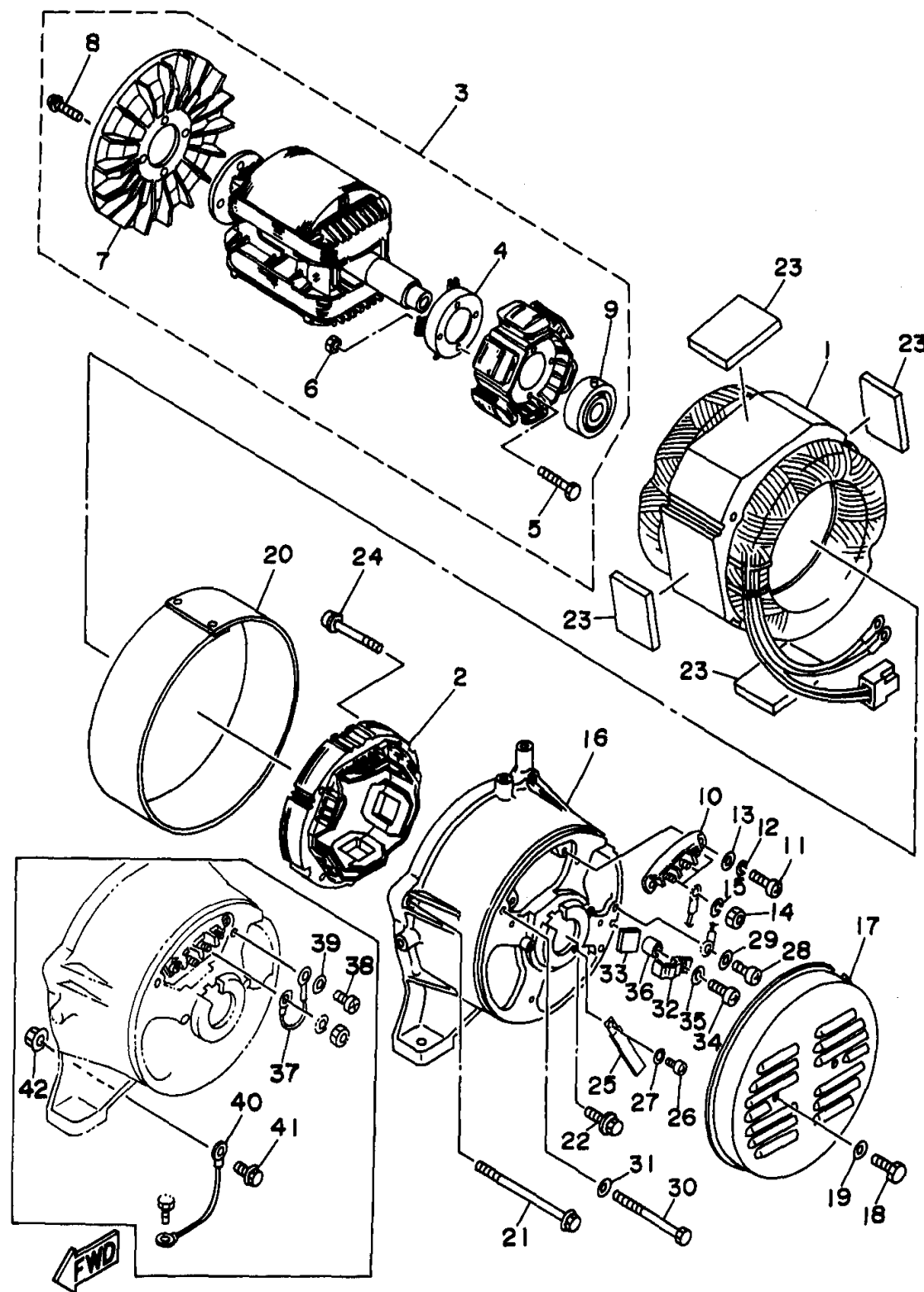


7RGI400-6310

Ref. No.	Part Number	Description	Qty	Remarks
1	7RH-87150-40-00	STATOR ASSY (120V/240V-60HZ)	1	
2	73A-8712A-01-00	STATOR EXITER ASSY	1	
3	7RH-87160-00-00	ROTOR ASSEMBLY	1	
4	7LV-87115-00-00	RECTIFIER ASSY 2	1	
5	97027-05050-00	BOLT	4	
6	95307-05600-00	NUT	4	
7	7LR-87172-01-00	FAN, GENERATOR	1	
8	90159-06032-00	SCREW, WITH WASHER	4	
9	93306-37202-00	BEARING	1	
10	7LR-87220-00-00	TERMINAL SUB ASSY 1	1	
11	98507-05014-00	SCREW, PAN HEAD	2	
12	92907-05100-00	WASHER, SPRING	2	
13	92907-05600-00	WASHER, PLATE	2	
14	95307-05700-00	NUT	3	
15	92907-05100-00	WASHER, SPRING	3	
16	7RH-87131-00-00	FRAME, REAR	1	
17	7RH-87174-00-98	COVER, REAR END	1	
18	97017-06010-00	BOLT, WITH WASHER	2	
19	92907-06600-00	WASHER, PLATE	2	
20	7RH-87153-00-00	COVER, STATOR	1	
21	95827-06130-00	BOLT, FLANGE	4	
22	7RH-81152-00-00	BOLT	1	
23	7LR-87159-00-00	SEAL, STATOR	4	
24	90159-05091-00	SCREW, WITH WASHER	4	
25	90462-05061-00	CLAMP	1	
26	98507-05010-00	SCREW, PAN HEAD	1	
27	92907-05600-00	WASHER, PLATE	1	
28	98507-05010-00	SCREW, PAN HEAD	1	

CONTINUED ON NEXT FRAME ►

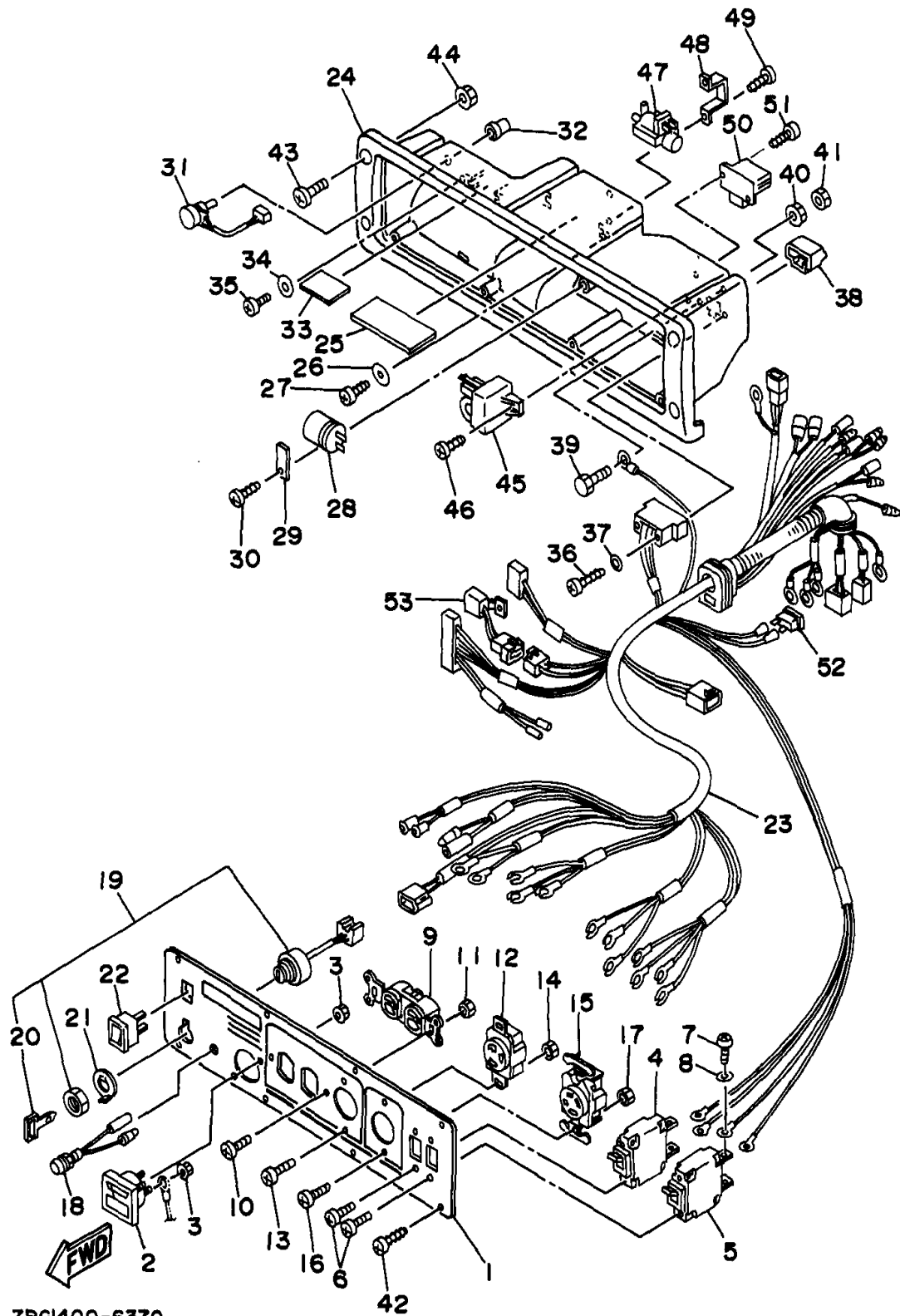
# GENERATOR (EF6600DE, YG4600 - 6600)



7RGI400-6310

Ref. No.	Part Number	Description	Qty	Remarks
29	92907-05600-00	WASHER, PLATE	1	
30	90101-06739-00	BOLT	2	
31	92907-06600-00	WASHER, PLATE	2	
32	7J5-88195-00-00	HOLDER, CONNECTOR	1	
33	7LV-8713J-00-00	DAMPER	1	
34	98507-05020-00	SCREW, PAN HEAD	1	
35	92907-05600-00	WASHER, PLATE	1	
36	90387-06N38-00	COLLAR	1	
37	7LR-8722W-80-00	WIRE, LEAD 6	1	
38	98507-05010-00	SCREW, PAN HEAD	1	
39	92907-05600-00	WASHER, PLATE	1	
40	7NJ-87139-00-00	LEAD WIRE ASSY 2	1	
41	95880-06010-00	BOLT, FLANGE	1	
42	95780-06500-00	NUT, FLANGE	1	

# CONTROL BOX (EF4600DE)

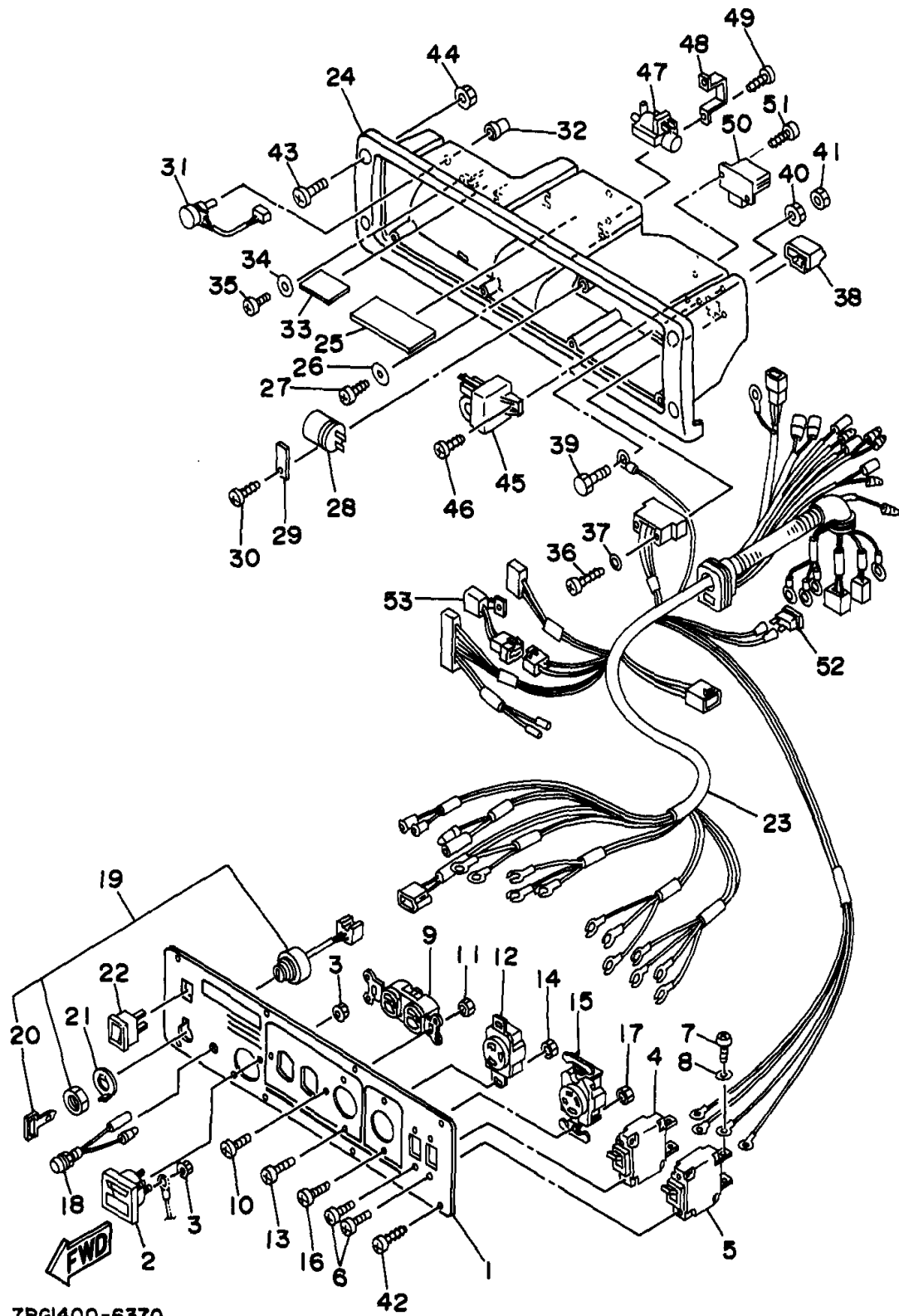


7RG1400-6370

Ref. No.	Part Number	Description	Qty	Remarks
1	7RG-87249-40-00	PLATE (120V/240V-60HZ) . . . .	1	
2	7LR-8720A-00-00	VOLTEGE METER COMP. . . . .	1	
3	90179-03478-00	NUT . . . . .	4	
4	7MF-87204-00-00	CIRCUIT BREAKER COMP. (35.8A) . . . . .	1	
5	7RG-87204-40-00	BREAKER COMP. (AC250V-17A) . . . . .	1	
6	98507-04005-00	SCREW, PAN HEAD . . . . .	4	
7	98517-06012-00	SCREW, PAN HEAD . . . . .	4	
8	92907-06100-00	WASHER, SPRING . . . . .	4	
9	73H-87221-90-00	RECEPTACLE 1 (P&S 5-20R) . .	1	
10	98517-04012-00	SCREW, PAN HEAD . . . . .	2	
11	95707-04500-00	NUT, FLANGE . . . . .	2	
12	73H-87222-91-00	RECEPTACLE 2 (30A-125V) . . .	1	
13	98517-04012-00	SCREW, PAN HEAD . . . . .	2	
14	95707-04500-00	NUT, FLANGE . . . . .	2	
15	73H-87222-70-00	RECEPTACLE 2 (14-20R) . . . .	1	P&S L14-20R
16	98517-04012-00	SCREW, PAN HEAD . . . . .	2	
17	95707-04500-00	NUT, FLANGE . . . . .	2	
18	7NJ-85770-00-00	OIL PILOT LIGHT ASSY . . . . .	1	
19	7LP-82510-00-00	MAIN SWITCH ASSY . . . . .	1	
20	73A-82511-00-00	. .KEY, MAIN SWITCH . . . . .	2	
21	7RG-82517-00-00	WASHER, SPECIAL . . . . .	1	
22	7NJ-82550-00-00	ENGINE STOP SWITCH ASSY . . . .	1	
23	7RG-87226-40-00	WIRE HARNESS ASSY(120/240V-60H) . . . . .	1	
24	7RH-87213-00-00	COVER, CONTROL BOX . . . . .	1	
25	7LV-8722A-90-00	VOLTAGE REGULATOR ASSY . . . .	1	
26	90201-03013-00	WASHER, PLATE . . . . .	1	
27	97707-30512-00	SCREW, TAPPING . . . . .	1	

CONTINUED ON NEXT FRAME ►

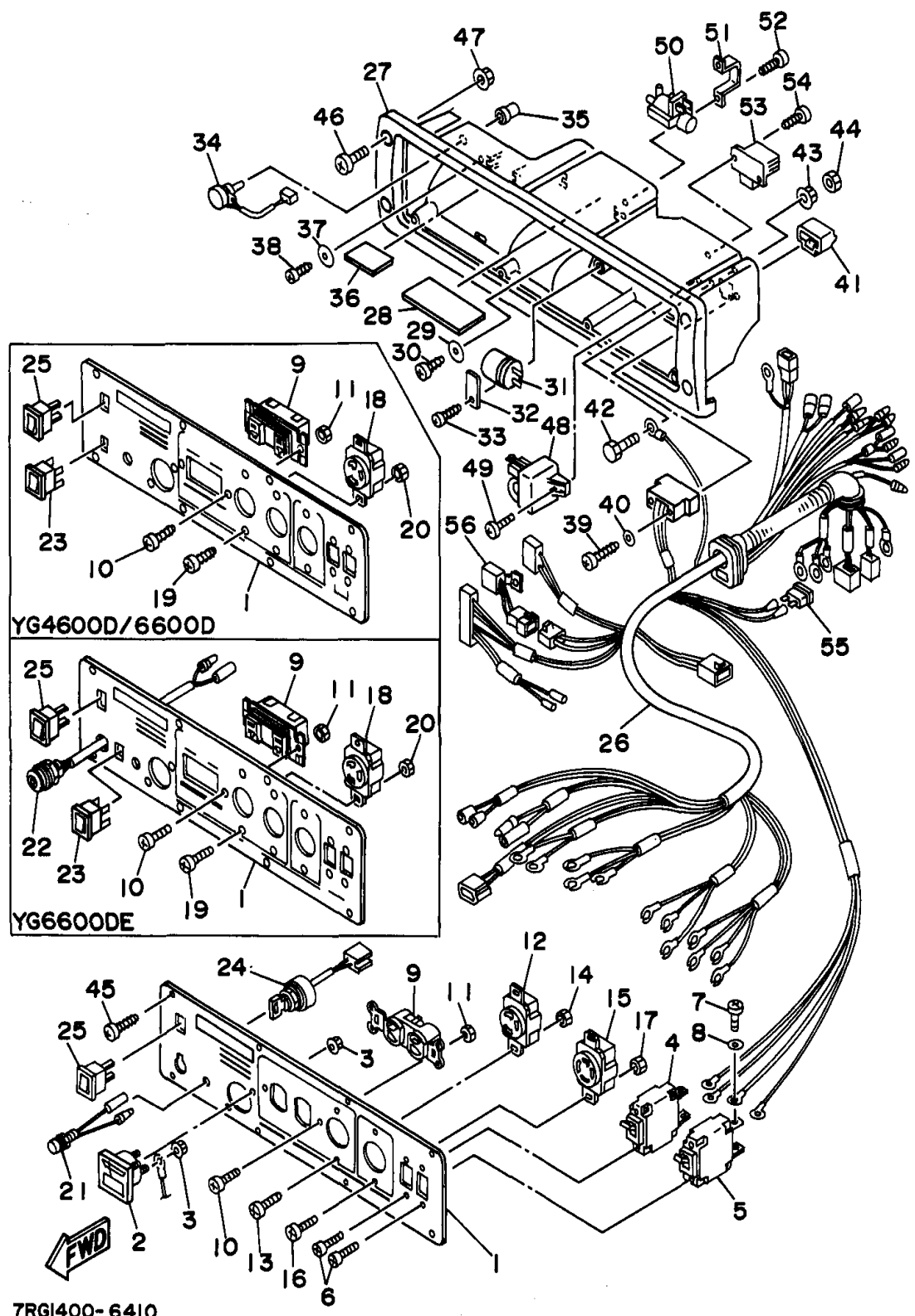
# CONTROL BOX (EF4600DE)



7RGI400-6370

Ref. No.	Part Number	Description	Qty	Remarks
28	7RH-87107-00-00	CONDENSER ASSY .....	1	
29	7LR-86112-00-00	STAY, SOLENOID .....	1	
30	97707-50612-00	SCREW, TAPPING .....	1	
31	7LV-87283-00-00	RESISTOR, VARIABLE .....	1	
32	7LV-82532-00-00	CAP .....	1	
33	7LG-85690-00-00	OIL WARNING UNIT .....	1	
34	90201-03013-00	WASHER, PLATE .....	1	
35	97707-30512-00	SCREW, TAPPING .....	1	
36	97707-30512-00	SCREW, TAPPING .....	2	
37	92907-03200-00	WASHER .....	2	
38	7LP-82599-00-00	COVER, CONNECTER .....	1	
39	97080-06020-00	BOLT .....	1	
40	90179-06511-00	NUT .....	1	
41	95380-06700-00	NUT .....	1	
42	97707-40616-00	SCREW, TAPPING .....	8	
43	98907-06014-00	SCREW, BIND HEAD .....	4	
44	95707-06500-00	NUT, FLANGE .....	2	
45	73M-87286-00-00	SLOW DOWN UNIT ASSY .....	1	
46	97707-60520-00	SCREW, TAPPING .....	1	
47	7LR-86120-90-00	SOLENOID VALVE ASSY .....	1	
48	7RH-86112-00-00	STAY, SOLENOID .....	1	
49	97707-50612-00	SCREW, TAPPING .....	2	
50	22J-81960-92-00	RECTIFIER/REG ASSEMBLY ..	1	
51	97707-50520-00	SCREW, TAPPING .....	2	
52	42X-82151-00-00	FUSE (10A-BL) .....	1	
53	7RH-81970-00-00	RECTIFIER ASSY .....	1	

# CONTROL BOX (EF6600DE, YG4600D, YG6600D -

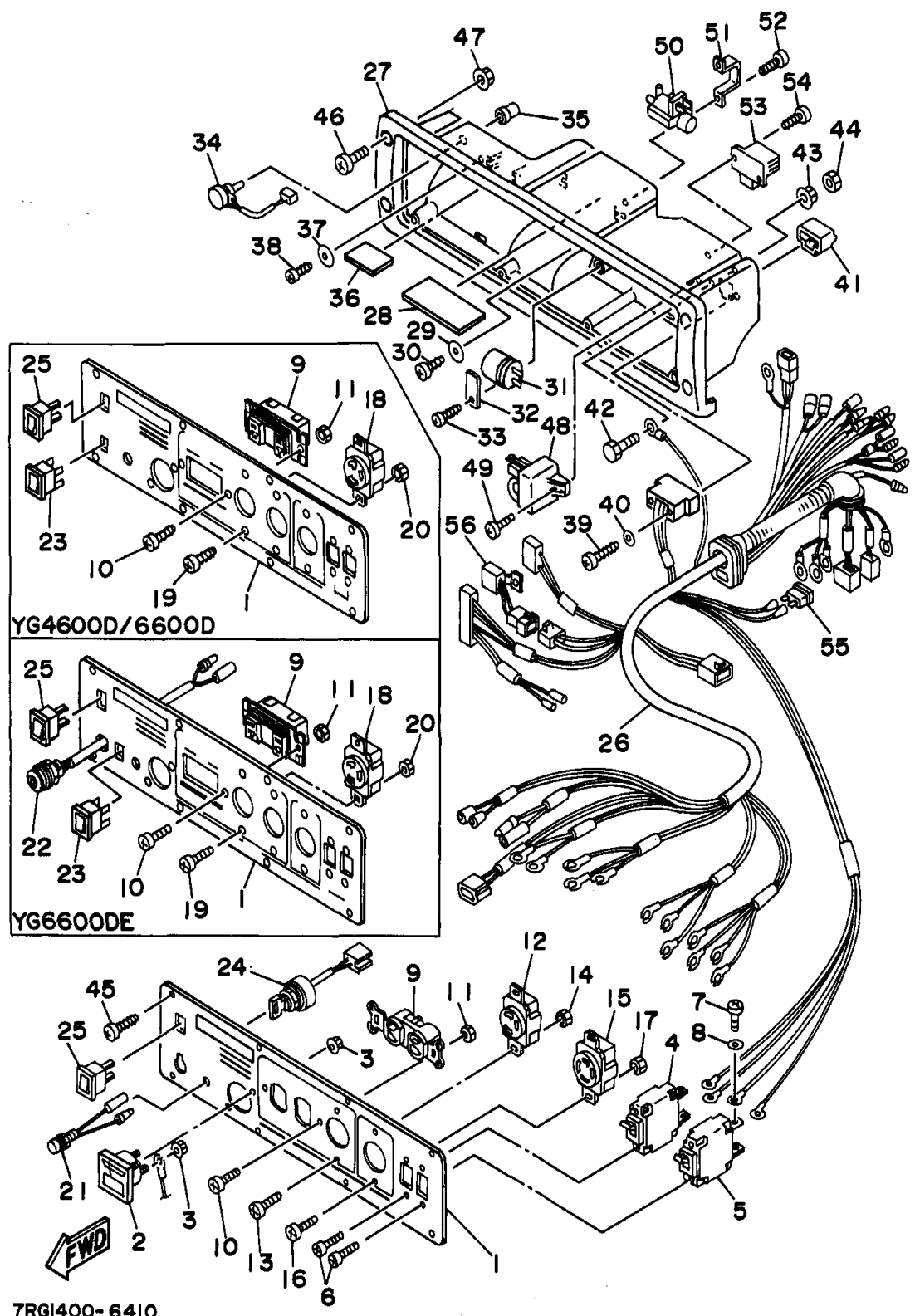


7RGI400-6410

Ref. No.	Part Number	Description	Qty	Remarks
1	7RH-87249-40-00	PLATE (120V/240V-60HZ)	.... 1	UR EF6600DE
	7RT-87249-50-00	PLATE (120V/240V-60HZ)	.... 1	UR YG4600D (MANUAL START)
	7RU-87249-40-00	PLATE (120V/240V-60HZ)	.... 1	UR YG6600DE (EL.START)
	7RU-87249-50-00	PLATE (120V/240V-60HZ)	.... 1	UR YG6600D (MANUAL START)
2	7LR-8720A-00-00	VOLTEGE METER COMP.	.... 1	
3	90179-03478-00	NUT	..... 4	
4	7MF-87204-00-00	CIRCUIT BREAKER COMP. (35.8A)	..... 1	UR YG4600D
	7LU-87204-00-00	CIRCUIT BREAKER COMP. (50A)	..... 1	
5	7RG-87204-40-00	BREAKER COMP. (AC250V-17A)	..... 1	UR YG4600D
	7RH-87204-60-00	BREAKER COMP. (220V-25A)	..... 1	
6	98507-04005-00	SCREW, PAN HEAD	..... 4	
7	98517-06012-00	SCREW, PAN HEAD	..... 4	
8	92907-06100-00	WASHER, SPRING	..... 4	
9	73H-87221-90-00	RECEPTACLE 1 (P&S 5-20R)	.. 1	UR EF6600DE
	7MC-87221-A1-00	RECEPTACLE 1	..... 1	
10	98517-04012-00	SCREW, PAN HEAD	..... 2	
11	95707-04500-00	NUT, FLANGE	..... 2	
12	73H-87222-91-00	RECEPTACLE 2 (30A-125V)	... 1	
13	98517-04012-00	SCREW, PAN HEAD	..... 2	
14	95707-04500-00	NUT, FLANGE	..... 2	
15	73H-87222-70-00	RECEPTACLE 2 (14-20R)	..... 1	UR YG4600DE
	7RH-87222-40-00	RECEPTACLE 2 (WCF 63430B02)	..... 1	
16	98517-04012-00	SCREW, PAN HEAD	..... 2	
17	95707-04500-00	NUT, FLANGE	..... 2	

CONTINUED ON NEXT FRAME ►

# CONTROL BOX (EF6600DE, YG4600D, YG6600D -

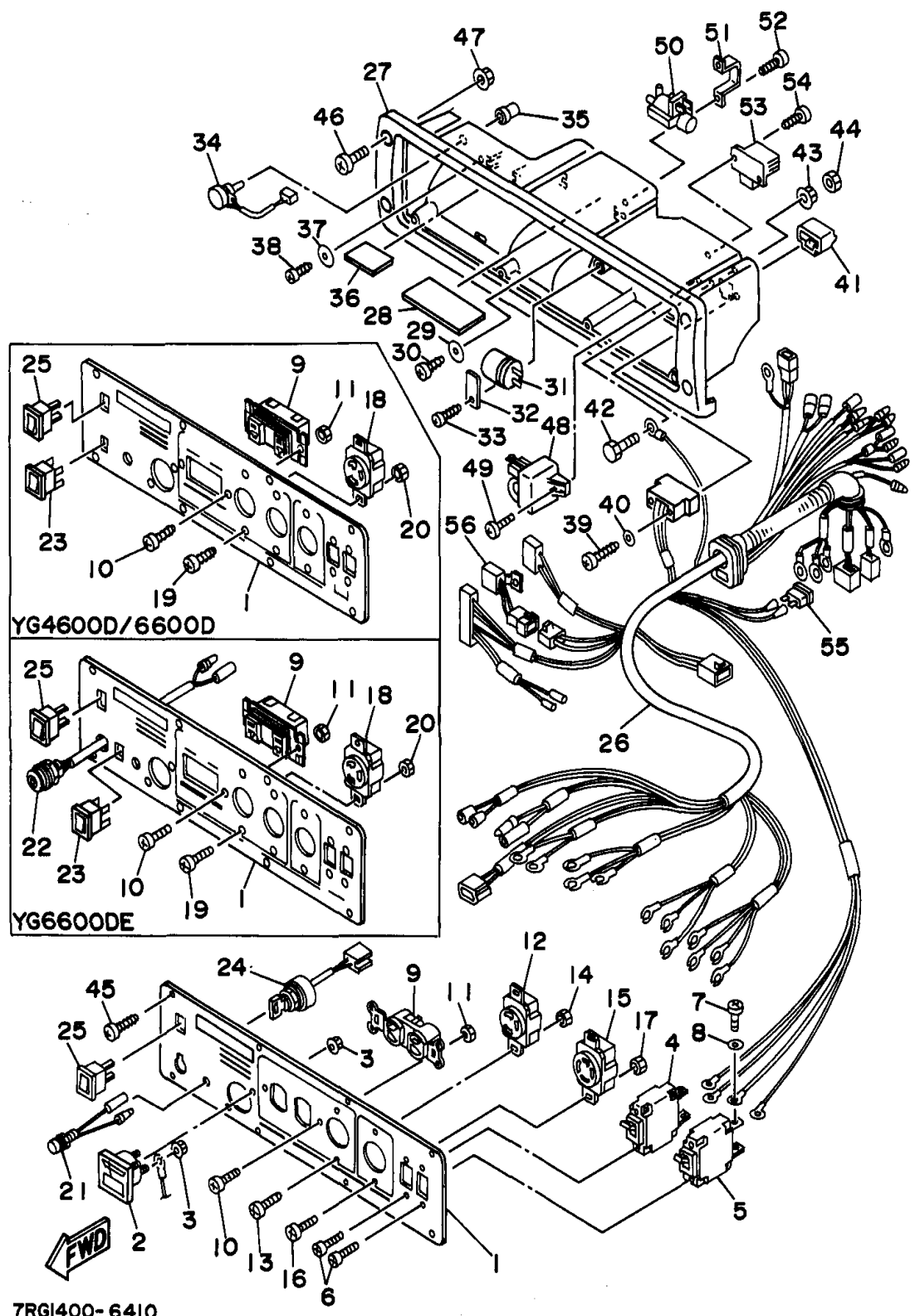


TRGI400-6410

Ref. No.	Part Number	Description	Qty	Remarks
18	7LL-87222-90-00	RECEPTACLE (WCF63120B02)	1	
19	98517-04012-00	SCREW, PAN HEAD	2	
20	95707-04500-00	NUT, FLANGE	1	
21	7NJ-85770-00-00	OIL PILOT LIGHT ASSY	1	
22	7MD-81870-00-00	STARTING SWITCH ASSY	1	YG 6600DE
23	7NJ-82550-00-00	ENGINE STOP SWITCH ASSY	1	UR YG4600D
	7RH-82550-00-00	ENGINE STOP SWITCH ASSY	1	UR YG6600D/DE
24	7RH-82510-00-00	MAIN SWITCH ASSY	1	EF6600DE
25	7NJ-82550-00-00	ENGINE STOP SWITCH ASSY	1	
26	7RH-87226-40-00	WIRE HARNESS ASSY(120/240V-60H)	1	UR EF6600DE
	7RT-87226-50-00	WIRE HARNESS ASSY	1	UR YG4600D
	7RU-87226-40-00	WIRE HARNESS ASSY	1	UR YG6600DE
	7RU-87226-50-00	WIRE HARNESS ASSY	1	UR YG6600D
27	7RH-87213-00-00	COVER, CONTROL BOX	1	
	7RH-87213-G0-00	COVER, CONTROL BOX	1	
28	7LU-8722A-00-00	VOLTAGE REGULATOR ASSY	1	
	7LV-8722A-90-00	VOLTAGE REGULATOR ASSY	1	UR EF6600DE
29	90201-03013-00	WASHER, PLATE	1	
30	97707-30512-00	SCREW, TAPPING	1	
31	7RH-87107-00-00	CONDENSER ASSY	1	
32	7LR-86112-00-00	STAY, SOLENOID	1	
33	97707-50612-00	SCREW, TAPPING	1	
34	7LV-87283-00-00	RESISTOR, VARIABLE	1	EF6600DE
35	7LV-82532-00-00	CAP	1	EF6600DE
36	7LG-85690-00-00	OIL WARNING UNIT	1	
37	90201-03013-00	WASHER, PLATE	1	
38	97707-30512-00	SCREW, TAPPING	1	
39	97707-30512-00	SCREW, TAPPING	2	EL. START

CONTINUED ON NEXT FRAME ➤

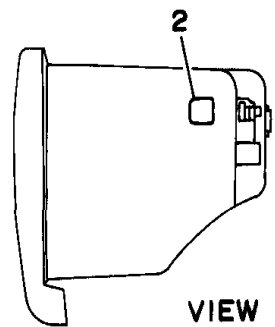
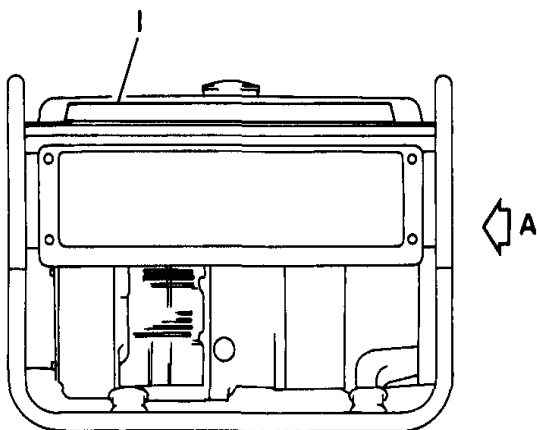
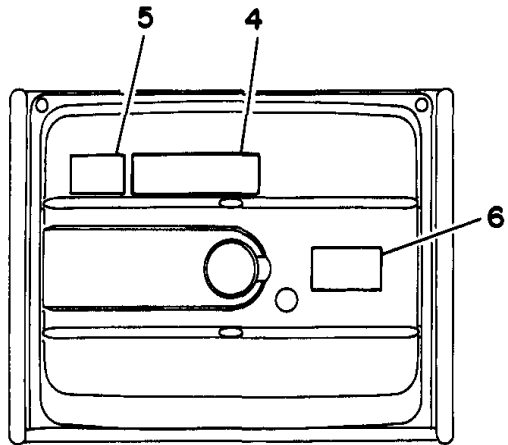
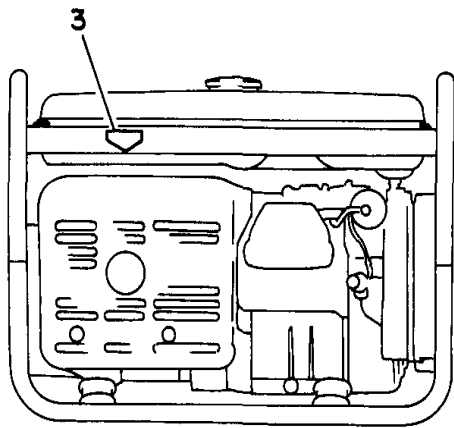
# CONTROL BOX (EF6600DE, YG4600D, YG6600D -



7RGI400-6410

Ref. No.	Part Number	Description	Qty	Remarks
40	92907-03200-00	WASHER	2	EL. START
41	7LP-82599-00-00	COVER, CONNECTER	1	EL. START
42	97080-06020-00	BOLT	1	
43	90179-06511-00	NUT	1	
44	95380-06700-00	NUT	1	
45	97707-40616-00	SCREW, TAPPING	8	
46	98907-06014-00	SCREW, BIND HEAD	4	
47	95707-06500-00	NUT, FLANGE	2	
48	73M-87286-00-00	SLOW DOWN UNIT ASSY	1	
49	97707-60520-00	SCREW, TAPPING	1	
50	7LR-86120-90-00	SOLENOID VALVE ASSY	1	
51	7RH-86112-00-00	STAY, SOLENOID	1	
52	97707-50612-00	SCREW, TAPPING	2	
53	22J-81960-92-00	RECTIFIER/REG ASSEMBLY	1	EL. START
54	97707-50520-00	SCREW, TAPPING	1	EL. START
55	42X-82151-00-00	FUSE (10A-BL)	1	EL. START
56	7RH-81970-00-00	RECTIFIER ASSY	1	

# EMBLEM - LABEL



Ref. No.	Part Number	Description	Qty	Remarks
1	7RH-24161-00-00	EMBLEM 1 .....	1	
2	7NJ-87261-00-00	EMBLEM 1 (GROUND) .....	1	
3	7FL-2415A-10-00	LABEL, CAUTION (HOT EXHAUST) .....	1	
4	7NJ-24162-10-00	EMBLEM 2 (WARNING) .....	1	
5	73H-2415A-00-00	LABEL, CAUTION (WARNING) .	1	
6	7RG-2179R-00-00	PLATE, EPA 2 .....	1	YG4) (CA ONLY)
	7RH-2179R-00-00	PLATE, EPA 2 .....	1	YG6) (CA ONLY)

7RG1400-6440