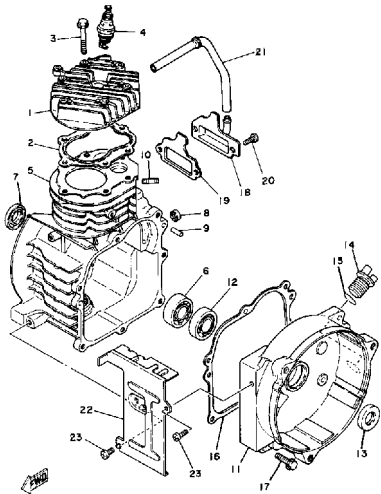




YAMAHA

**GENUINE
PARTS CATALOGUE
OUTDOOR POWER EQUIPMENT**

CYLINDER - CRANKCASE



TORQUE VALUES	
Cylinder Head:	M6: 100 cm*kg
Crankcase Cover:	M6: 100 cm*kg
Spark Plug:	M14: 200 cm*kg
Flywheel:	M12: 350 cm*kg

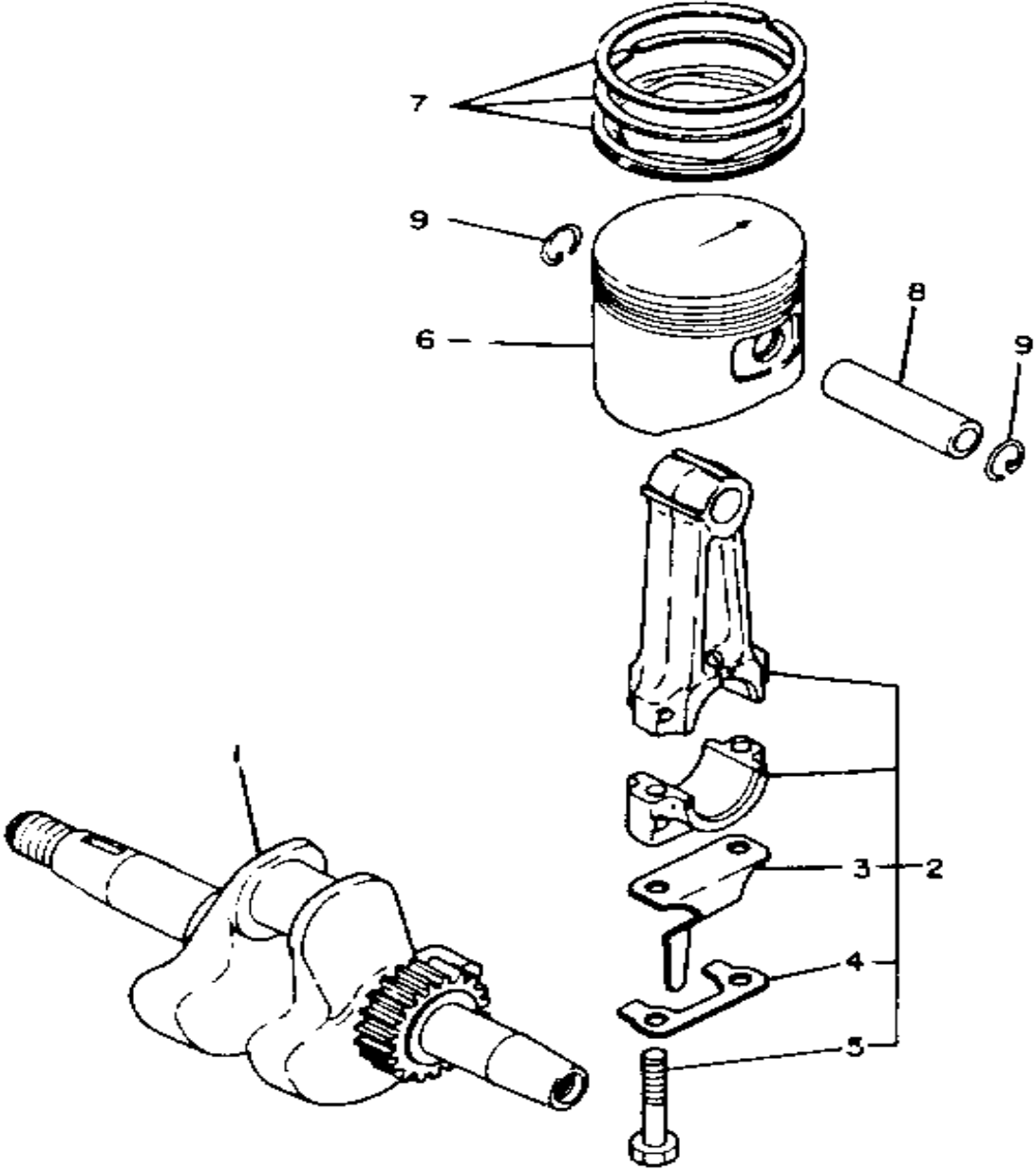
IGNITION SYSTEM	
Ignition Timing:	Capacitor Discharge Ignition
Spark Plug Type / Gap:	NGK BPMR6A / 0.6 ~ 0.7mm
Spark Plug Cap D:	Ø0

ENGINE TYPE	
Bore / Stroke / Number Cylinders / Displacement:	48.0mm / 39.0mm / 1 / 70.5cc
Compression Ratio / Rated Horsepower:	6.0:1 / 1.0 @ 3600 rpm

Oiling System / Capacity	
Lubricant:	Temp. Above 45°C (109°F)
	Temp. 0 ~ 15°C (32 ~ 60°F)
	Temp. Below 0°C (32°F)
	Oil Warning Activating Level

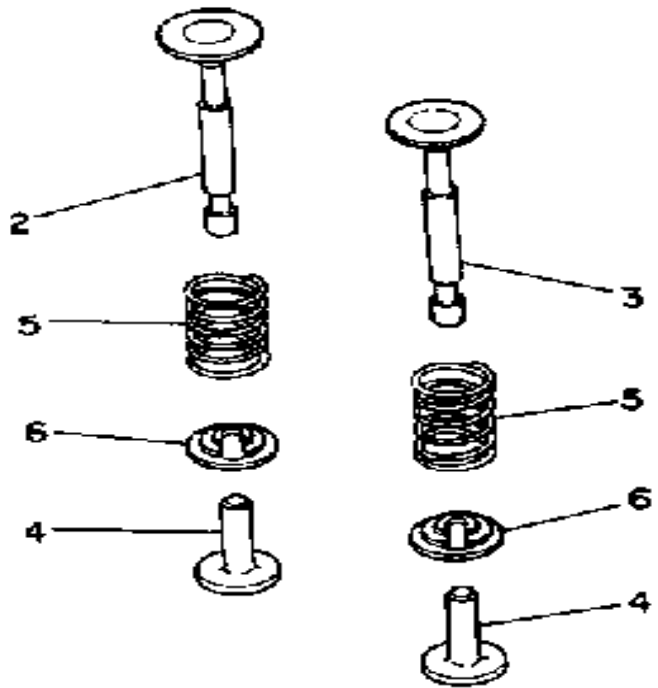
Ref. No.	Part Number	Description	Qty	Remarks
1	7X9-11111-00-00	HEAD, CYLINDER 1	1	
2	7X9-11181-00-00	GASKET, CYLINDER HEAD 1	1	
3	95811-06040-00	BOLT, FLANGE	6	
4	NGK-BPMR6-A0-00	NGK BPMR6A 10PK	1	
5	7X9-15111-00-00	CRANKCASE 1	1	
6	93306-20327-00	BEARING	1	
7	93102-17271-00	OIL SEAL	1	
8	93104-06033-00	OIL SEAL	1	
9	93606-14081-00	PIN, DOWEL	2	
10	95602-06615-00	BOLT, STUD	1	
11	7X9-15411-00-00	COVER, CRANKCASE L	1	
12	93306-20326-00	BEARING	1	
13	93102-17271-00	OIL SEAL	1	
14	7X9-15363-00-00	PLUG, OIL	1	
15	93210-15566-00	O-RING	1	
16	7X9-15451-10-00	GASKET, CRCS COVER	1	
17	95811-06020-00	BOLT, FLANGE	7	
18	7X9-11168-00-00	COVER, BREATHER	1	
19	7X9-11169-10-00	GASKET, BRTHR CVR	1	
20	98580-05012-00	SCREW, PAN HEAD	2	
21	99999-01562-00	AIR CLNR CASE COMP	1	
22	7Y1-12681-00-00	PLATE	1	
23	98580-05010-00	SCREW, PAN HEAD	3	

CRANKSHAFT - PISTON

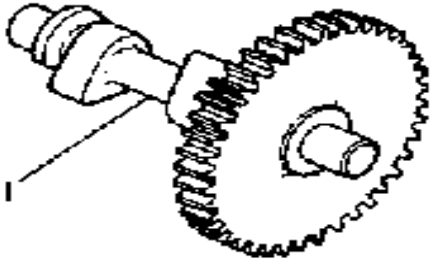


Ref. No.	Part Number	Description	Qty	Remarks
1	7X9-11400-00-00	CRANKSHAFT ASSEMBLY ...	1	
2	7X9-11650-00-00	CONNECTING ROD ASSEMBLY	1	
3	(7X9-11657-00-00)	SPLASHER, OIL	1	N/A
4	(7X9-11449-00-00)	WASHER, LOCK	1	N/A
5	(7X9-11654-00-00)	BOLT, CON ROD	2	N/A
6	7X9-11631-09-96	PISTON STD. (STD) (7X9-11631-01-96)	1	
	7X9-11635-01-00	PISTON 1 O/S 0.25 (1ST O/S 0.25MM)	1	ALT. PART
	7X9-11636-01-00	PISTON 2 O/S 0.50 (2ND O/S 0.50MM)	1	ALT. PART
7	7X9-11610-01-00	PISTON RINGSET STD (STD) (7X9-11610-00-00)	1	
	7X9-11610-11-00	PISTON RINGSET 1ST (1ST O/S)	1	ALT. PART
	7X9-11610-21-00	PISTON RINGSET 2ND (2ND O/S)	1	ALT. PART
8	7X9-11633-00-00	PIN, PISTON	1	
9	93450-11021-00	CIRCLIP	2	

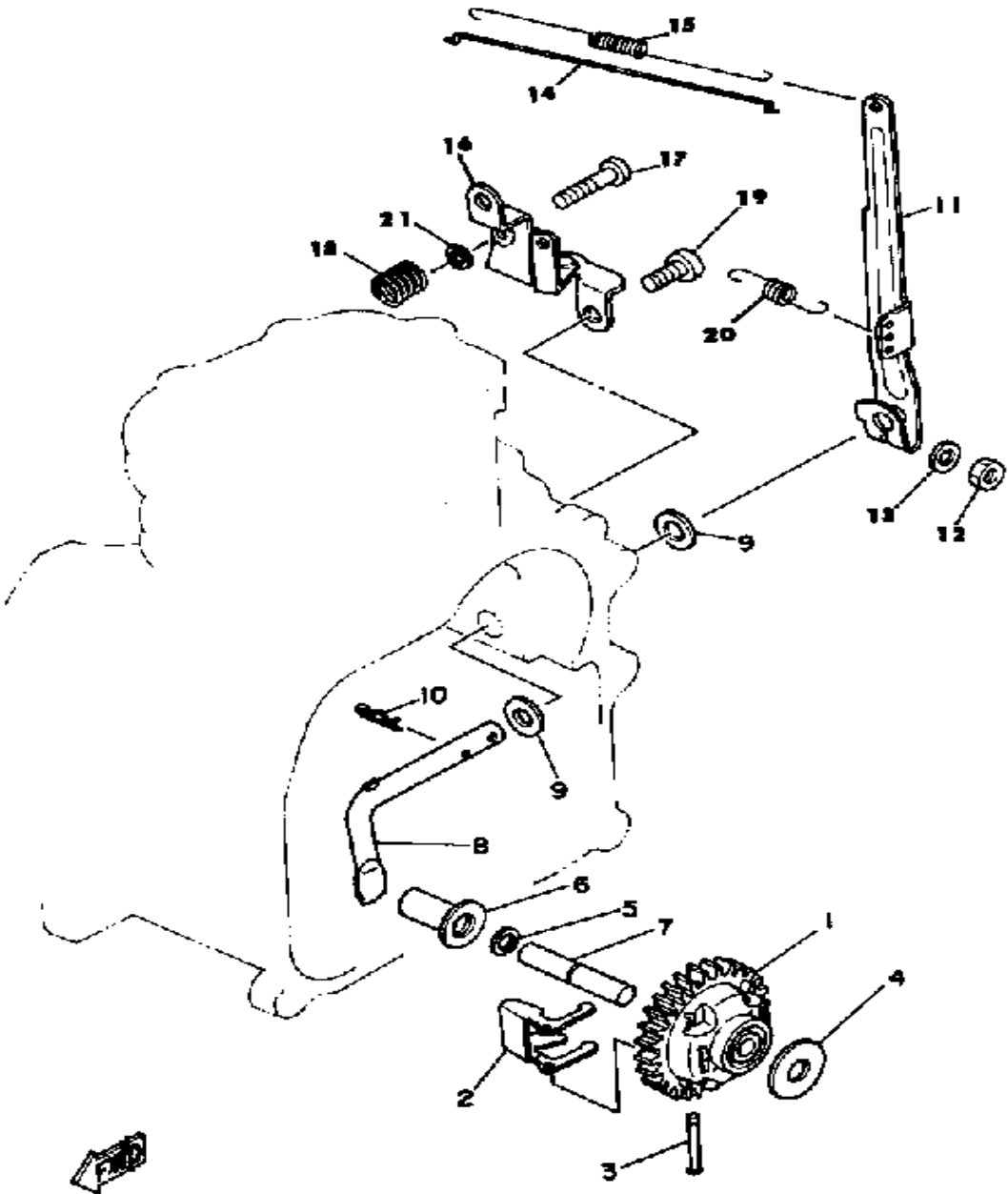
CAMSHAFT - VALVE



Ref. No.	Part Number	Description	Qty	Remarks
1	7X9-12171-00-00	CAMSHAFT 1	1	
2	7X9-12111-10-00	VALVE, INTAKE (7X9-12111-00)	1	
3	7X9-12121-10-00	VALVE, EXHAUST (7X9-12121-00)	1	
4	7X9-12153-00-00	LIFTER, VALVE	2	
5	90501-16708-00	SPRING, COMPRESSION	2	
6	7X9-12117-00-00	RETAINER, VALVE SPR	2	

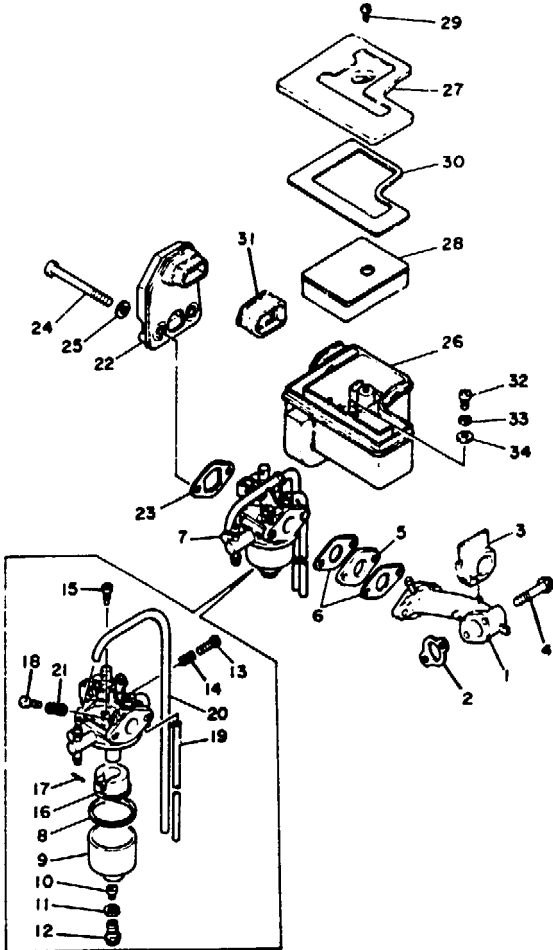


GOVERNOR



Ref. No.	Part Number	Description	Qty	Remarks
1	7X9-11972-00-00	GEAR, FLYWT SHAFT	1	
2	7X9-11913-00-00	WEIGHT	2	
3	90241-02009-00	PIN	2	
4	90201-06655-00	WASHER, PLATE	1	
5	93440-06107-00	CIRCLIP	1	
6	7X9-11917-00-00	COLLAR	1	
7	7X9-11971-00-00	SHAFT, FLYWEIGHT	1	
8	7X9-11922-00-00	FORK, GOVERNOR	1	
9	90201-06061-00	WASHER, PLATE	2	
10	90468-10050-00	CLIP	1	
11	7X9-11924-01-00	ARM, GOVERNOR	1	
12	95380-05600-00	NUT	1	
13	92901-05600-00	WASHER, PLATE	1	
14	7X9-11928-02-00	ROD, LINK	1	
15	90506-04293-00	SPRING, TENSION	1	
16	(7X9-11950-01-00)	AJST PLATE COMP.	1	
17	98511-04020-00	SCREW, PAN HEAD	1	
18	90501-12473-00	SPRING, COMPRESSION	1	
19	98580-05012-00	SCREW, PAN HEAD	1	
20	90506-07311-00	SPRING, TENSION	1	
21	92990-04200-00	WASHER, PLAIN	1	

INTAKE - CARBURETOR

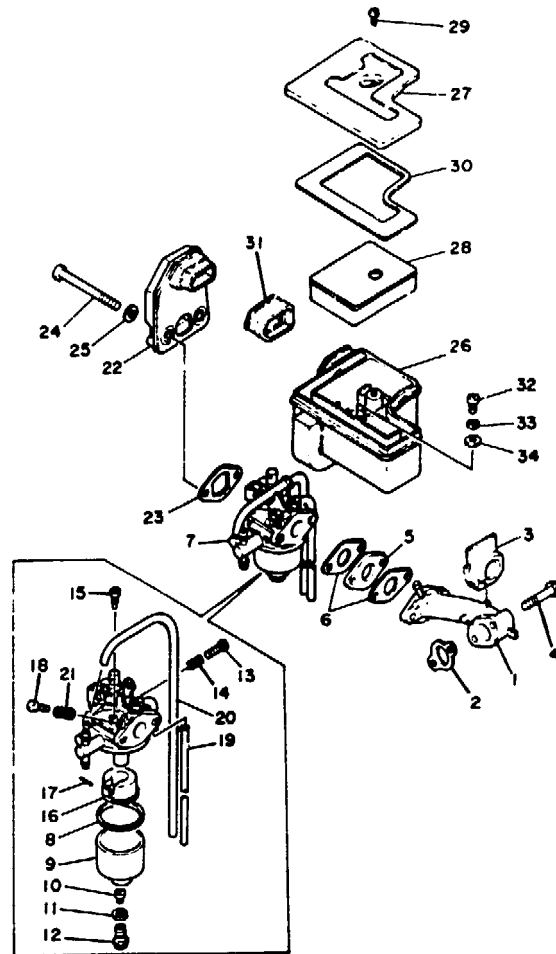


Carburetor - Manufacturer / Model	Mikuni / BV15-10-1
Main Jet / Pilot Jet / Pilot Screw (Turns Out)	56.3 / 37.5 / 3/4
Float Height	17.0mm

Ref. No.	Part Number	Description	Qty	Remarks
1	7X9-13555-00-00	MANIFOLD, INTAKE	1	
2	7X9-13556-00-00	GASKET, MANIFOLD	1	
3	7X9-22893-00-00	STOPPER, ENGINE	1	
4	95811-06030-00	BOLT, FLANGE	2	
5	7X9-13595-00-00	JOINT, CARBURETOR	1	
6	7G5-13556-00-00	GASKET, MANIFOLD	2	
7	7X9-14101-03-00	CARBURETOR ASSEMBLY 1	1	
8	7G5-14227-00-00	. WASHER	1	
9	7G5-14181-00-00	. BODY, FLOAT CHMBR 1	1	
10	830-14231-11-00	. JET, MAIN #55 (#275.0) (830-14231-55)	1	
11	732-14165-00-00	. GASKET	1	
12	7X9-14261-00-00	. HOLDER	1	
13	98302-03012-00	SCREW, CYLINDER.HEAD	1	
14	620-14133-00-00	. SPRING, THRTL STOP (#37.5)	1	
15	620-14142-37-00	. JET, PILOT #37 5	1	
16	7X9-14185-00-00	. FLOAT	1	
17	7G0-14186-00-00	. PIN, FLOAT	1	
18	620-14211-00-00	. SCREW, PILOT ADJUSTING	1	
19	7X9-14148-00-00	. PIPE	1	
20	7X9-14149-00-00	. PIPE	1	
21	620-14212-00-00	. SPRING, PILOT ADJUSTING	1	
22	7X9-14453-00-00	JOINT, AIR CLNR 1	1	
23	7X9-14416-00-00	GASKET, AIR CLEANER	1	
24	92501-06070-00	SCREW, PAN HEAD	2	
25	90201-06052-00	WASHER, PLATE	2	
26	7X9-W1441-00-00	AIR CLNR CASE COMP	1	
27	7X9-14412-00-00	AIR CLNR CASE COMP	1	
28	7X9-14451-00-00	ELEMENT, AIR CLNR	1	

CONTINUED ON NEXT FRAME ►

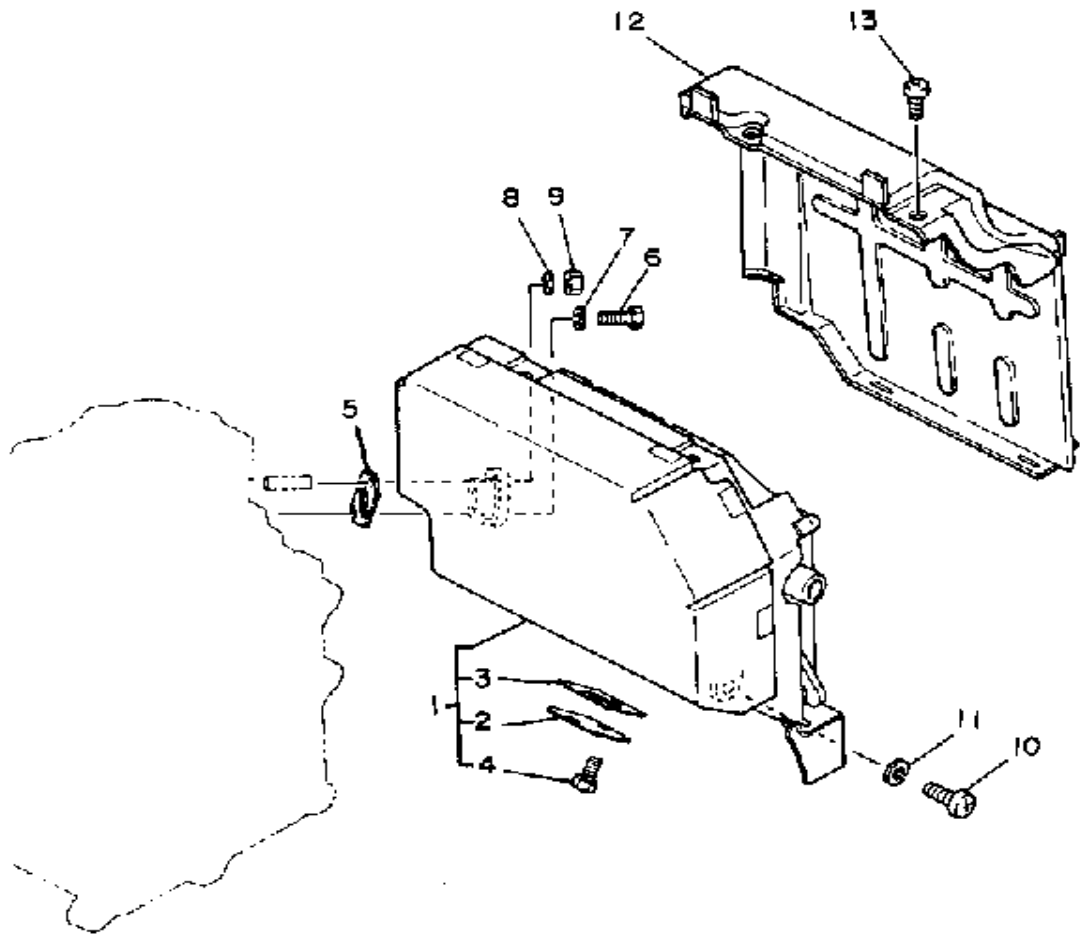
INTAKE - CARBURETOR



Ref. No.	Part Number	Description	Qty	Remarks
29	98501-05010-00	SCREW, PAN HEAD	1	
30	7X9-14462-00-00	SEAL	1	
31	7X9-14476-00-00	SEAL	1	
32	98580-05012-00	SCREW, PAN HEAD	1	
33	7X9-14217-20-00	CHOKE LEVER	1	OPTIONAL PART
	7X9-W1442-12-00	CHOKE VALVE SET	1	OPTIONAL PART
	92990-03100-00	WASHER, SPRING (92901-03100)	2	OPTIONAL PART
	92990-05100-00	WASHER, SPRING	1	
	98580-03006-00	SCREW, PAN HEAD	2	OPTIONAL PART
34	90201-05032-00	WASHER, PLATE	1	

Carburetor - Manufacturer / Model	Mikuni / BV15-10-1
Main Jet / Pilot Jet / Pilot Screw (Turns Out)	56.3 / 37.5 / 3/4
Float Height	17.0mm

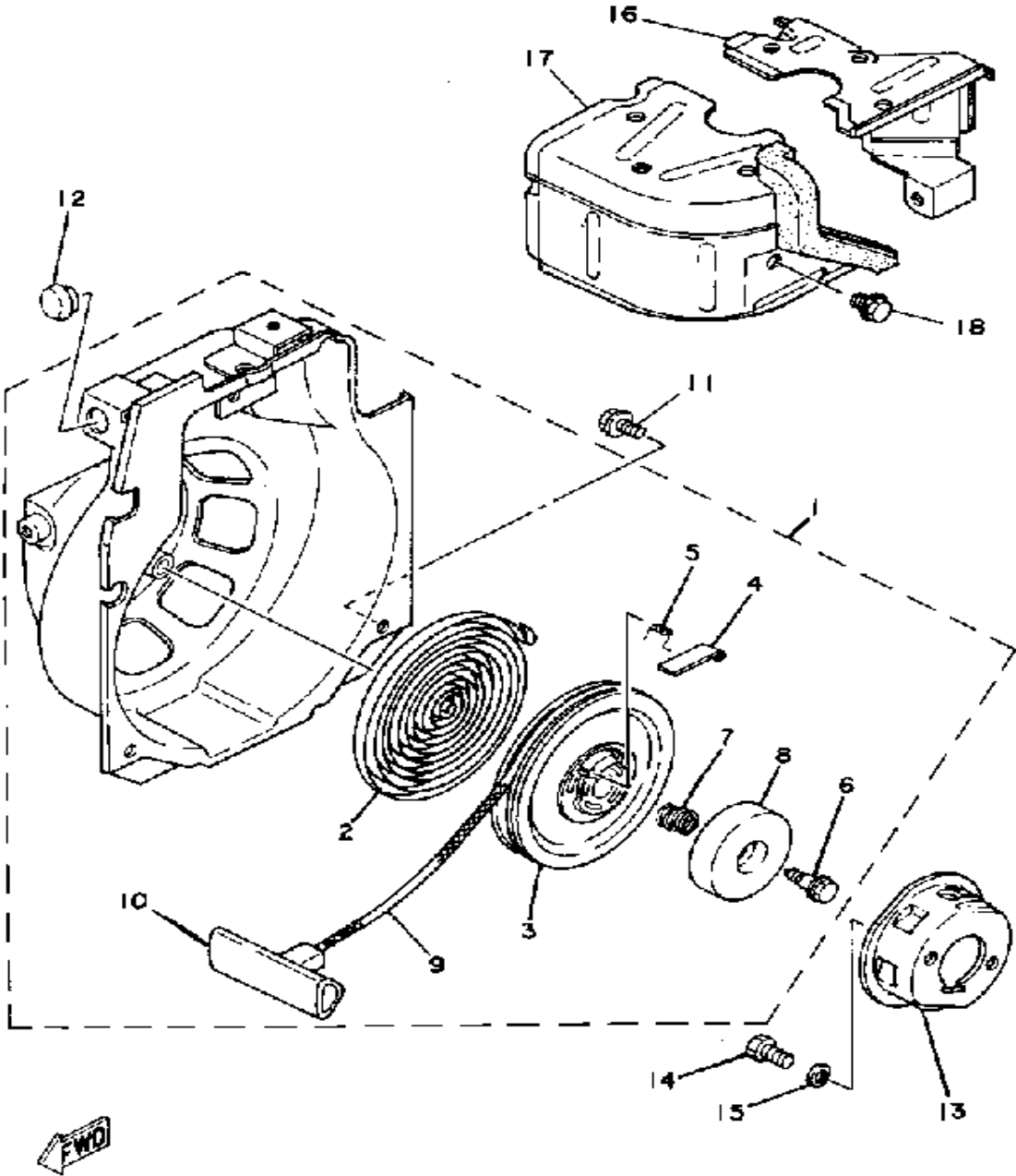
EXHAUST



Ref. No.	Part Number	Description	Qty	Remarks
1	7Y0-14710-00-00	MUFFLER ASSEMBLY L	1	
2	7Y0-1477M-00-00	. PLATE 3	1	
3	7Y0-14714-00-00	. GASKET, MUFFLER	1	
4	97080-05008-00	. BOLT	2	
5	7X9-14613-10-00	GASKET, EXST PIPE	1	
6	97011-06020-00	BOLT	1	
7	92995-06100-00	WASHER, SPRING	1	
8	92901-06600-00	WASHER	1	
9	95380-06600-00	NUT	1	
10	98503-06014-00	SCREW, PAN HEAD (92502-06016)	1	
11	92995-06100-00	WASHER, SPRING	1	
12	7X9-14708-00-00	PROTECTOR, MUFFLER	1	
13	98580-05010-00	SCREW, PAN HEAD	2	

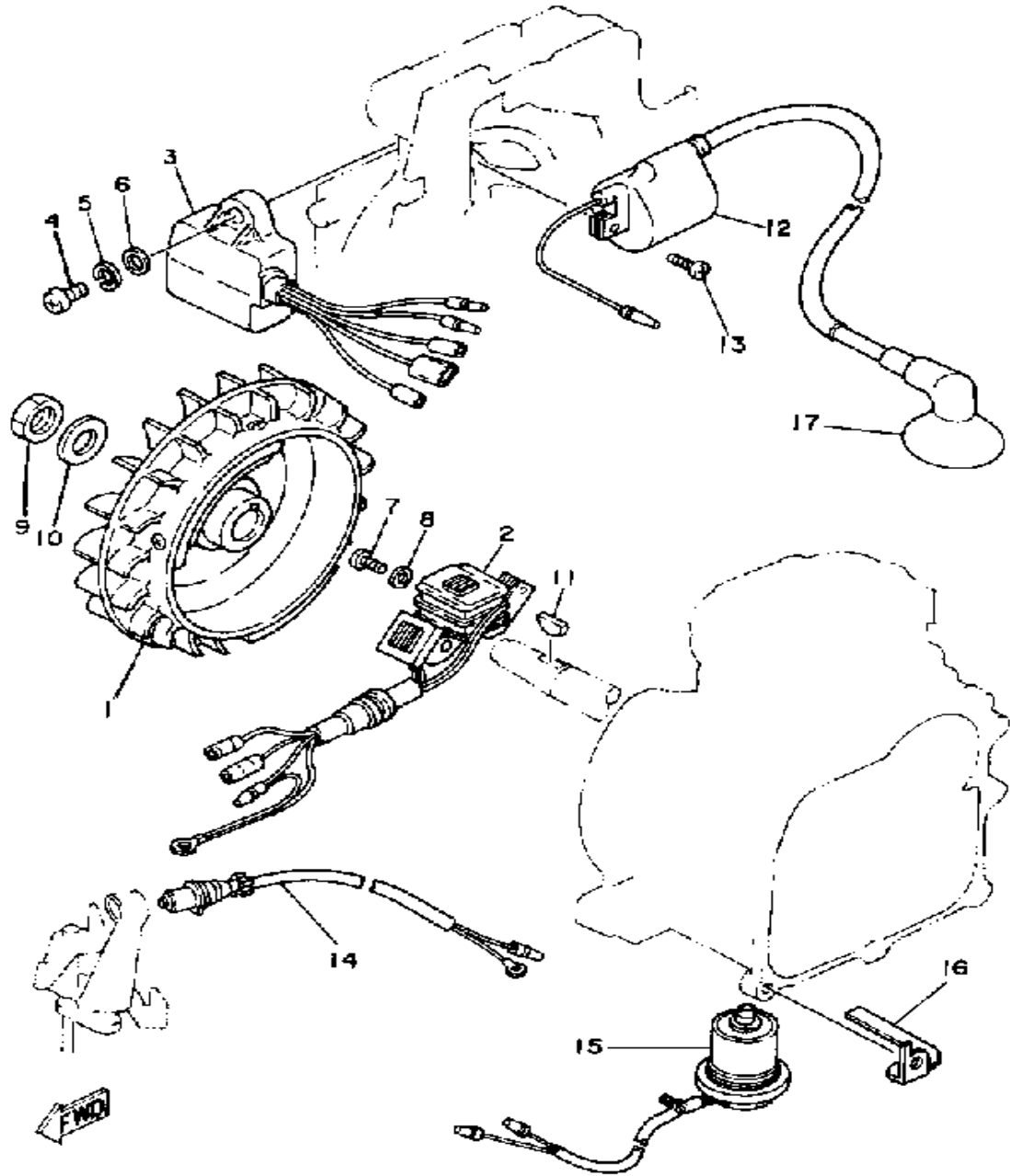


AIR SHROUD - STARTER



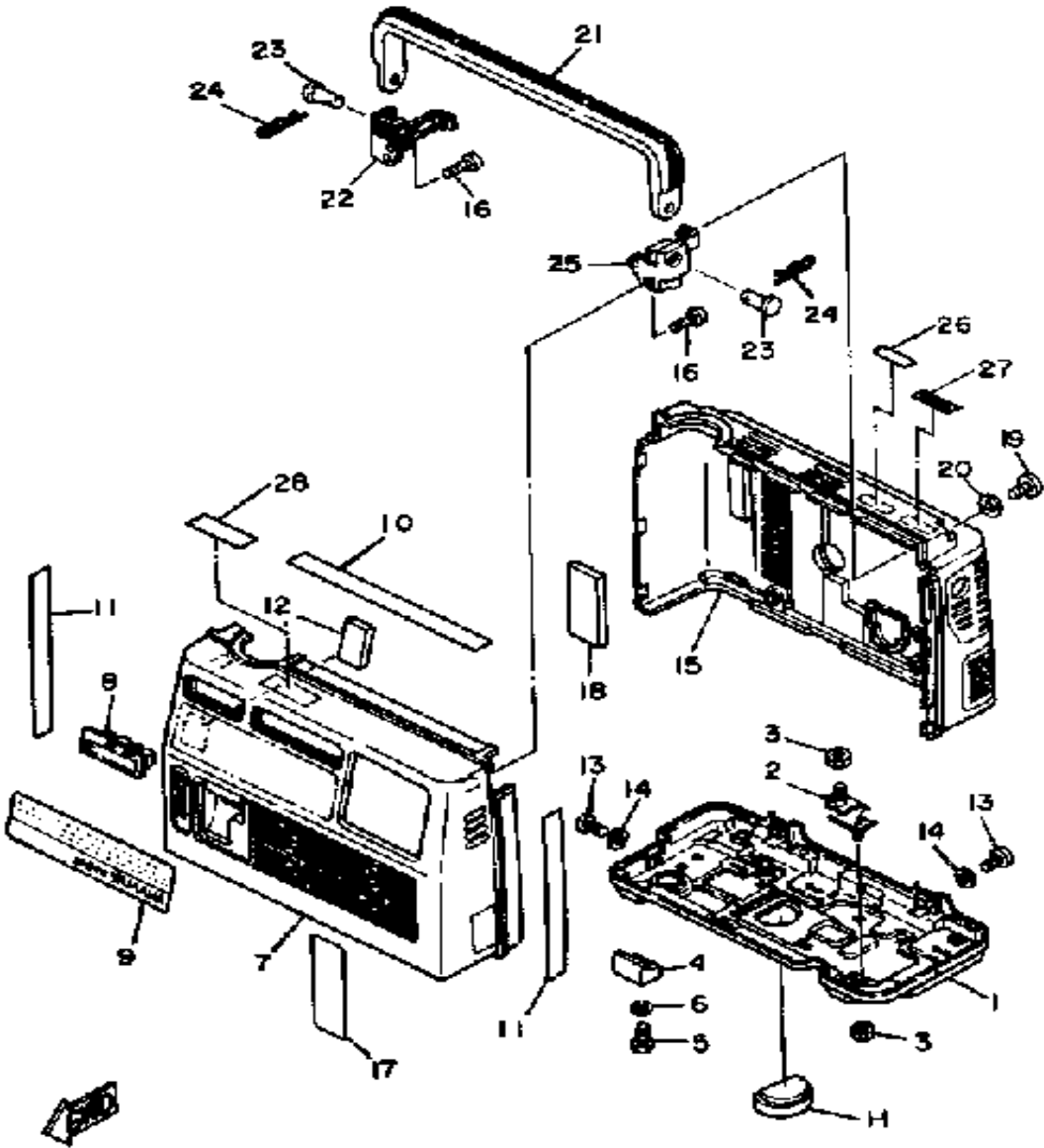
Ref. No.	Part Number	Description	Qty	Remarks
1	7X9-W1262-00-00	FAN CASE ASSEMBLY	1	
2	7X9-15713-00-00	. SPRING, STARTER	1	
3	7X9-15714-00-00	. DRUM, SHEAVE	1	
4	7X9-15741-00-00	. PAWL, DRIVE	1	
5	7X9-15743-00-00	. CLIP, DRIVE PAWL	1	
6	7X9-15768-00-00	. BOLT	1	
7	7X9-15715-00-00	. SPRING, DRIVE PLATE	1	
8	7X9-15716-00-00	. PLATE, DRIVE	1	
9	7X9-15751-00-00	. ROPE, STARTER	1	
10	7X9-15755-00-00	. HANDLE, STARTER	1	
11	98580-06010-00	SCREW, PAN HEAD (92503-06010)	3	
12	90480-14153-00	GROMMET	1	
13	7X9-15723-00-00	PULLEY, STARTER	1	
14	97011-06010-00	BOLT	2	
15	92995-06100-00	WASHER, SPRING	2	
16	7X9-W1261-01-00	AIR SHROUD, CYLINDER.	1	
17	7X9-W1263-01-00	AIR SHROUD, CYLINDER 2	1	
18	95811-06010-00	BOLT, FLANGE	1	

C - D - I - MAGNETO



Ref. No.	Part Number	Description	Qty	Remarks
1	7X9-85550-M9-00	ROTOR ASSEMBLY	1	
2	7X9-85521-M0-00	COIL ASSEMBLY	1	
3	7X9-85540-M0-00	CDI UNIT ASSEMBLY	1	
4	98503-06014-00	SCREW, PAN HEAD (92502-06016)	1	
5	92995-06100-00	WASHER, SPRING	1	
6	92901-06600-00	WASHER	1	
7	90155-06004-00	SCREW, FLAT FLSTR	2	
8	92901-06700-00	WASHER, WAVE (92902-06700)	2	
9	95301-12700-00	NUT (95302-12700)	1	
10	92990-12600-00	WASHER, PLATE	1	
11	90280-03017-00	KEY, WOODRUFF	1	
12	7Y0-82310-M0-00	IGNITION COIL ASSEMBLY ...	1	
13	98503-06014-00	SCREW, PAN HEAD (92502-06016)	2	
14	7X9-82550-00-00	STOP SWITCH ASSEMBLY ...	1	
15	7X9-85720-01-00	OIL LVL GAUGE ASSEMBLY (7X9-85720-00)	1	
16	7X9-85724-00-00	CLAMP	1	
17	7X9-82370-00-00	PLUG CAP ASSEMBLY	1	

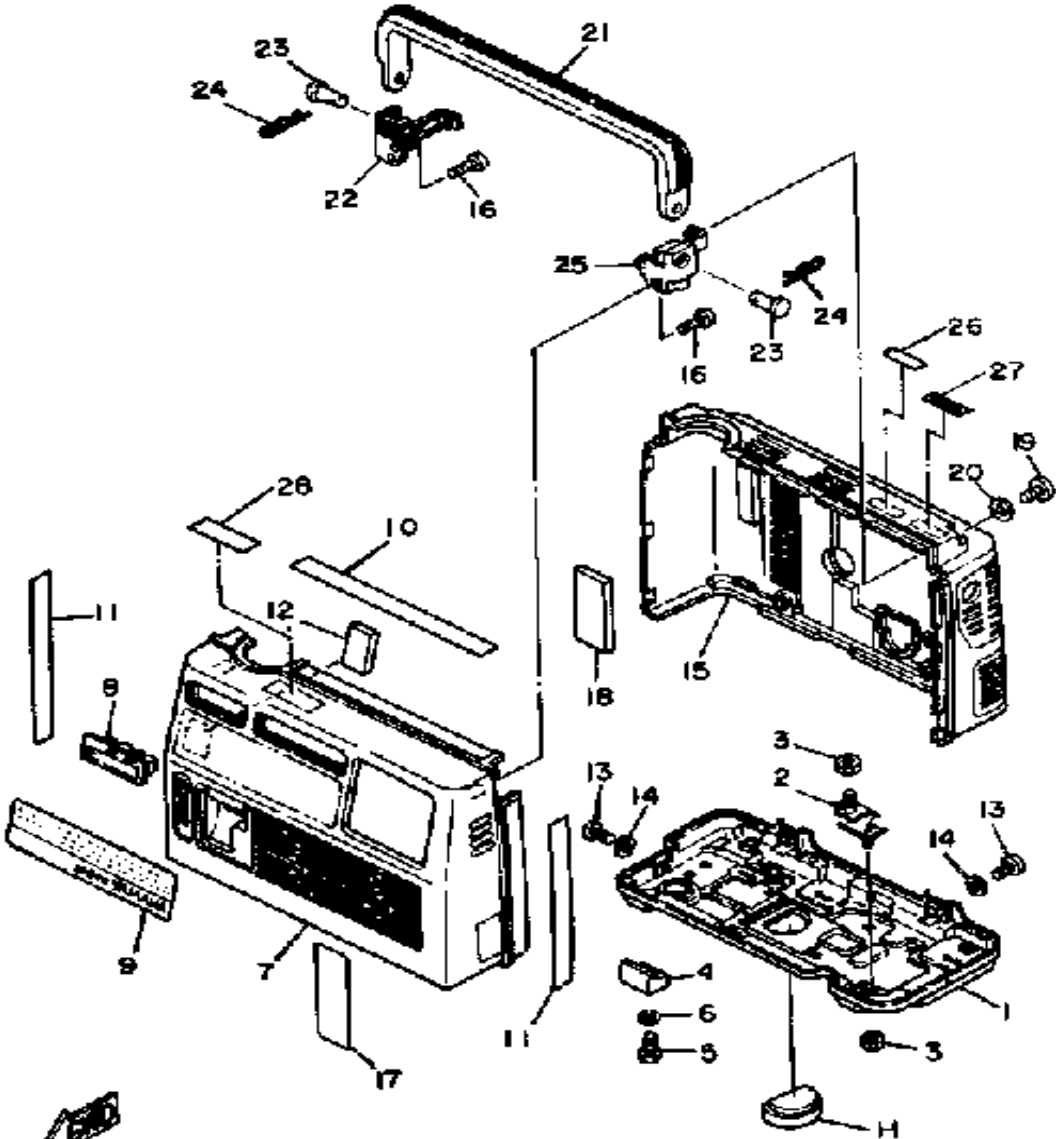
FRONT COVER-REAR COVER



Ref. No.	Part Number	Description	Qty	Remarks
1	7X9-W2283-01-00	BASE, MOUNT (7X9-W2283-00)	1	
2	7X9-22891-01-00	INSULATOR, MOUNTING (7X9-22891-00)	4	
3	95380-06600-00	NUT	8	
4	7X9-22895-00-00	INSULATOR, MNTING	4	
5	98580-05010-00	SCREW, PAN HEAD	4	
6	92990-05100-00	WASHER, SPRING	4	
7	7X9-W2281-00-3V	COVER, FRONT	1	PURPLISH BLUE
8	7X9-22861-01-00	COVER 1	1	
9	7Y0-24161-10-00	EMBLEM 1	1	
10	7X9-24235-00-00	MARK 1	1	
11	7X9-24236-00-00	MARK 2	2	
12	7X9-24181-00-00	DAMPER, LOCATING 1	1	
13	98516-06012-00	SCREW, PAN HEAD	4	
14	92906-06600-00	WASHER	4	
15	7X9-W2282-00-3V	COVER, REAR	1	PURPLISH BLUE
16	98580-06012-00	SCREW, PAN HEAD	4	
17	7Y0-24164-11-00	EMBLEM 4 (7Y0-24164-G0)	1	
18	7X9-24182-00-00	DAMPER, LOCATING 2	1	
19	90146-06014-00	SCREW, OVAL FILLISTER	4	
20	4U5-2176E-00-00	PLATE	4	
21	7X9-22830-00-00	HANDLE ASSEMBLY	1	
22	7X9-22831-00-3V	STAY 1	1	PURPLISH BLUE
23	90240-10094-00	INACTIVE PART NUMBER	2	
24	90468-18125-00	CLIP	2	
25	7X9-22832-00-3V	STAY 2	1	PURPLISH BLUE
26	7Y0-2415E-10-00	LABEL, CAUTION	1	
27	7Y0-2415A-10-00	LABEL, CAUTION (HOT EXHAUST)	1	

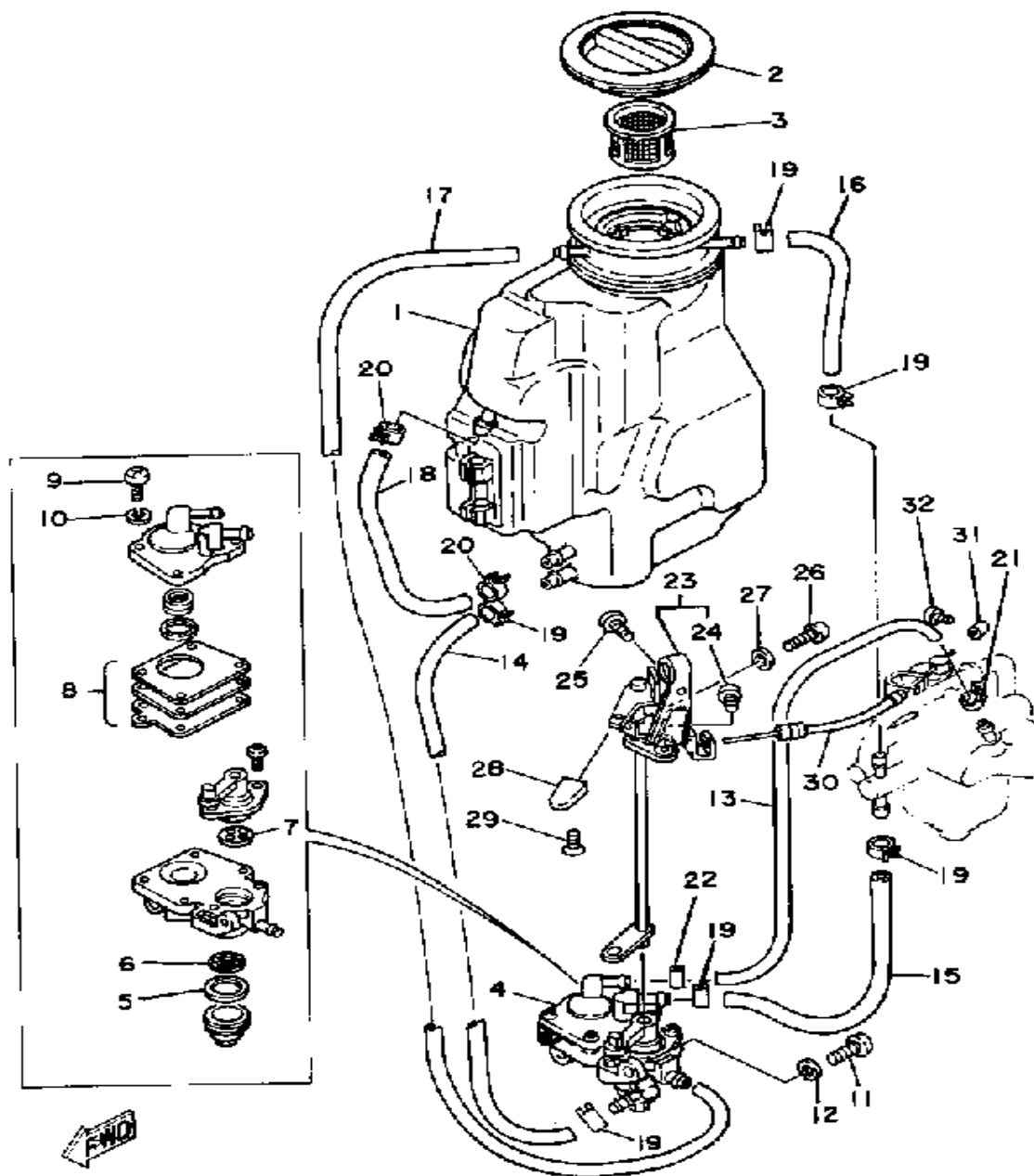
CONTINUED ON NEXT FRAME ►

FRONT COVER-REAR COVER



Ref. No.	Part Number	Description	Qty	Remarks
28	7Y0-21788-10-00	GRAPHIC	1	
1-1	90338-44093-00	PLUG	1	

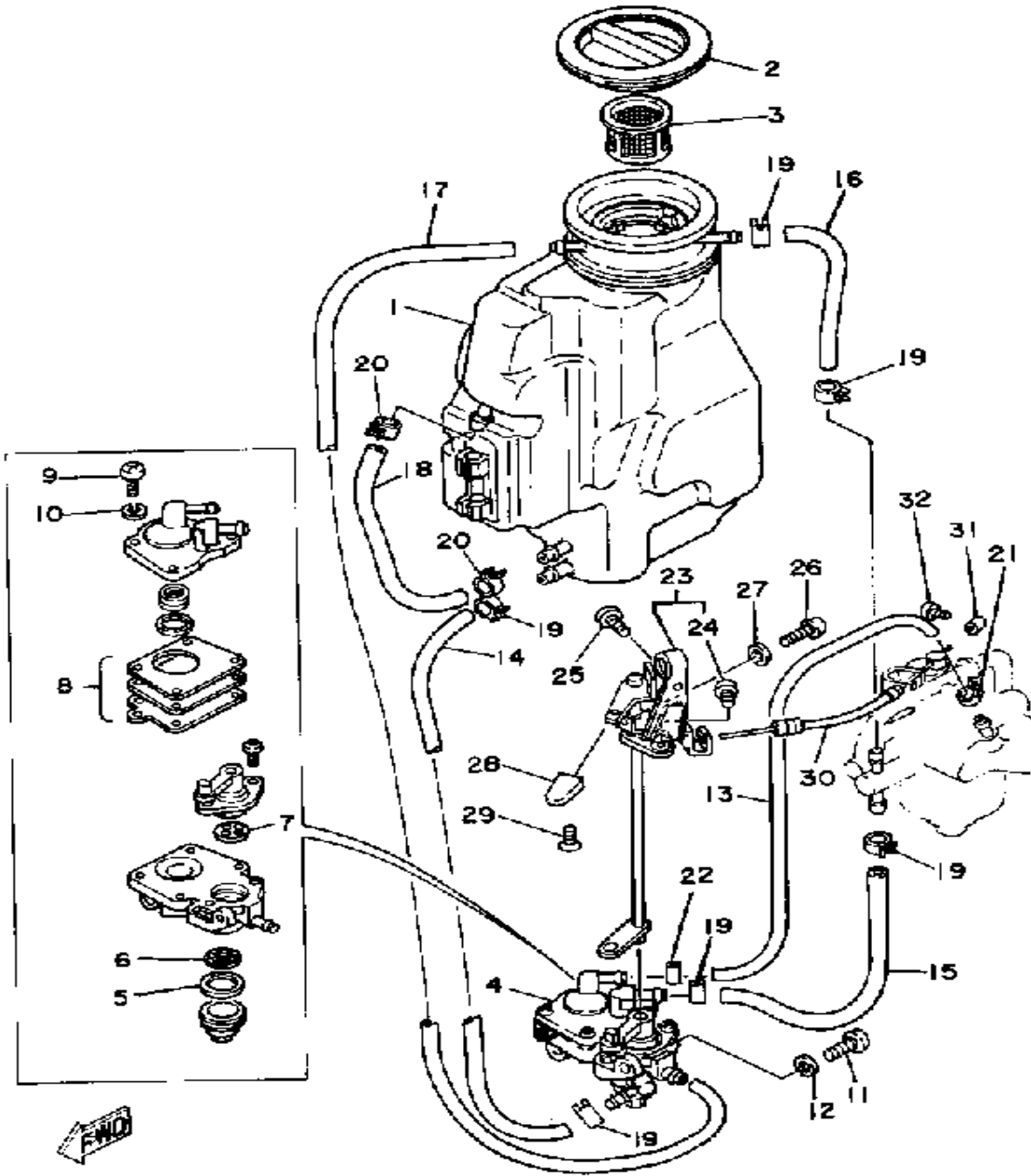
FUEL TANK



Ref. No.	Part Number	Description	Qty	Remarks
1	7X9-24110-00-00	FUEL TANK	1	
2	7X9-24610-01-00	CAP ASSEMBLY (7X9-24610-00)	1	
3	7X9-24167-00-00	STRAINER	1	
4	7X9-24410-10-00	FUEL PUMP ASSEMBLY (7X9-24410-00)	1	
5	7X9-24522-00-00	. GASKET	1	
6	7X9-24515-00-00	. NET, FILTER 2	1	
7	7X9-24523-00-00	. VALVE	1	
8	7X9-W0017-00-00	. DIAPHRAGM KIT	1	
9	98511-04012-00	. SCREW, PAN HEAD	4	
10	92901-04100-00	. WASHER, SPRING	4	
11	98580-05016-00	SCREW, PAN HEAD	2	
12	92901-05600-00	WASHER, PLATE	2	
13	90445-08742-00	HOSE	1	
14	7X9-24312-00-00	PIPE 2	1	
15	90445-10704-00	HOSE	1	
16	7X9-24311-00-00	PIPE, FUEL 1	1	
17	90445-07703-00	HOSE	1	
18	91A20-05024-00	TUBE, FLEXIBLE VINYL	1	
19	90467-09037-00	CLIP	6	
20	90467-09026-00	CLIP	2	
21	90468-02025-00	CLIP	1	
22	90467-07055-00	CLIP	1	
23	7X9-41250-00-00	CHOKE BRACKET ASSEMBLY	1	
24	98580-03008-00	. SCREW, PAN HEAD	1	
25	98580-03008-00	SCREW, PAN HEAD	1	
26	98580-05010-00	SCREW, PAN HEAD	1	
27	92990-05100-00	WASHER, SPRING	1	
28	7X9-41271-00-00	KNOB, CHOKE	1	

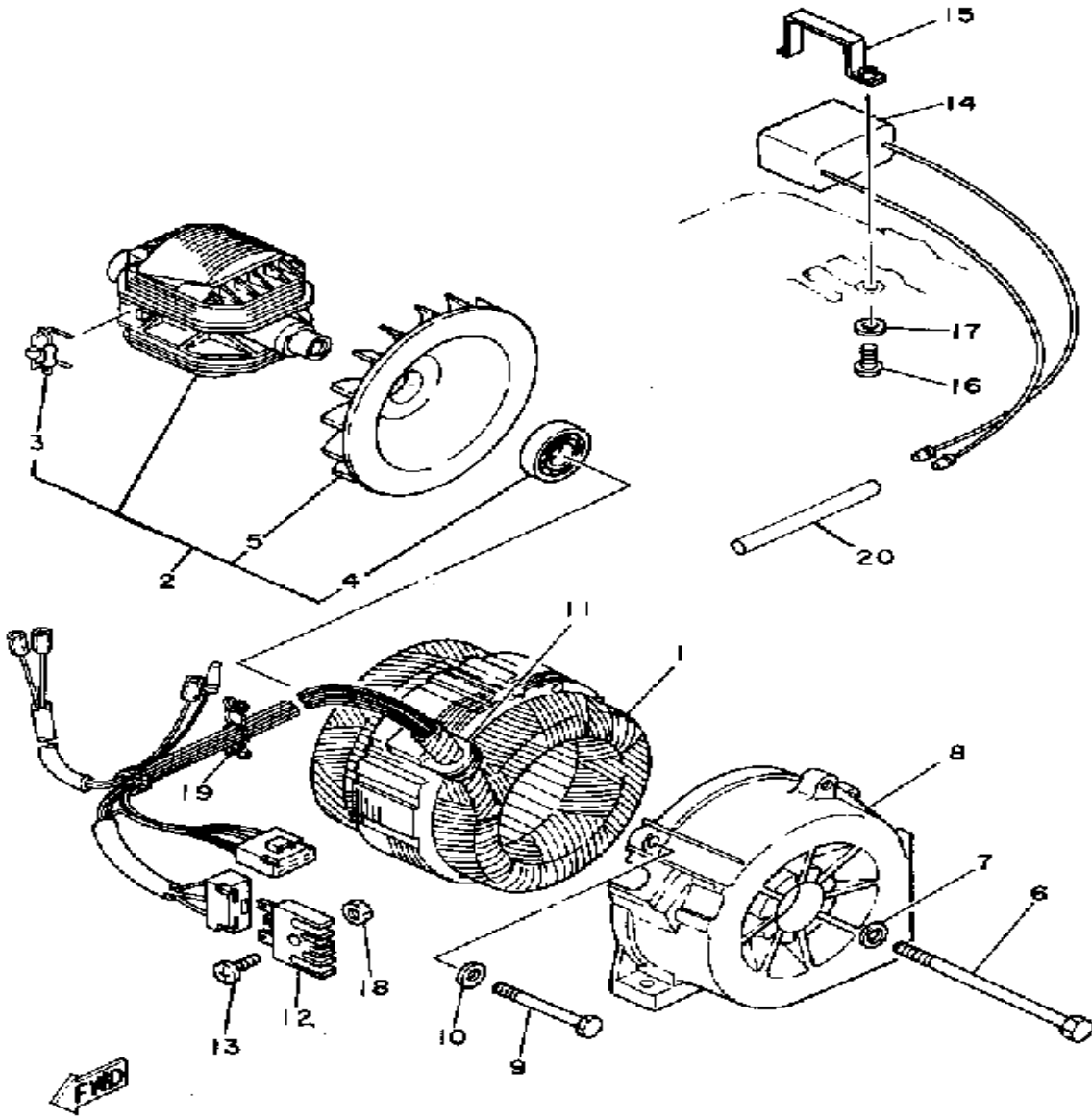
CONTINUED ON NEXT FRAME ►

FUEL TANK



Ref. No.	Part Number	Description	Qty	Remarks
29	90157-03038-00	SCREW, PAN HEAD	1	
30	7X9-26331-00-00	CABLE, STARTER 1	1	
31	7X9-11932-01-00	SETTER, WIRE	1	
32	90157-03038-00	SCREW, PAN HEAD	1	

GENERATOR

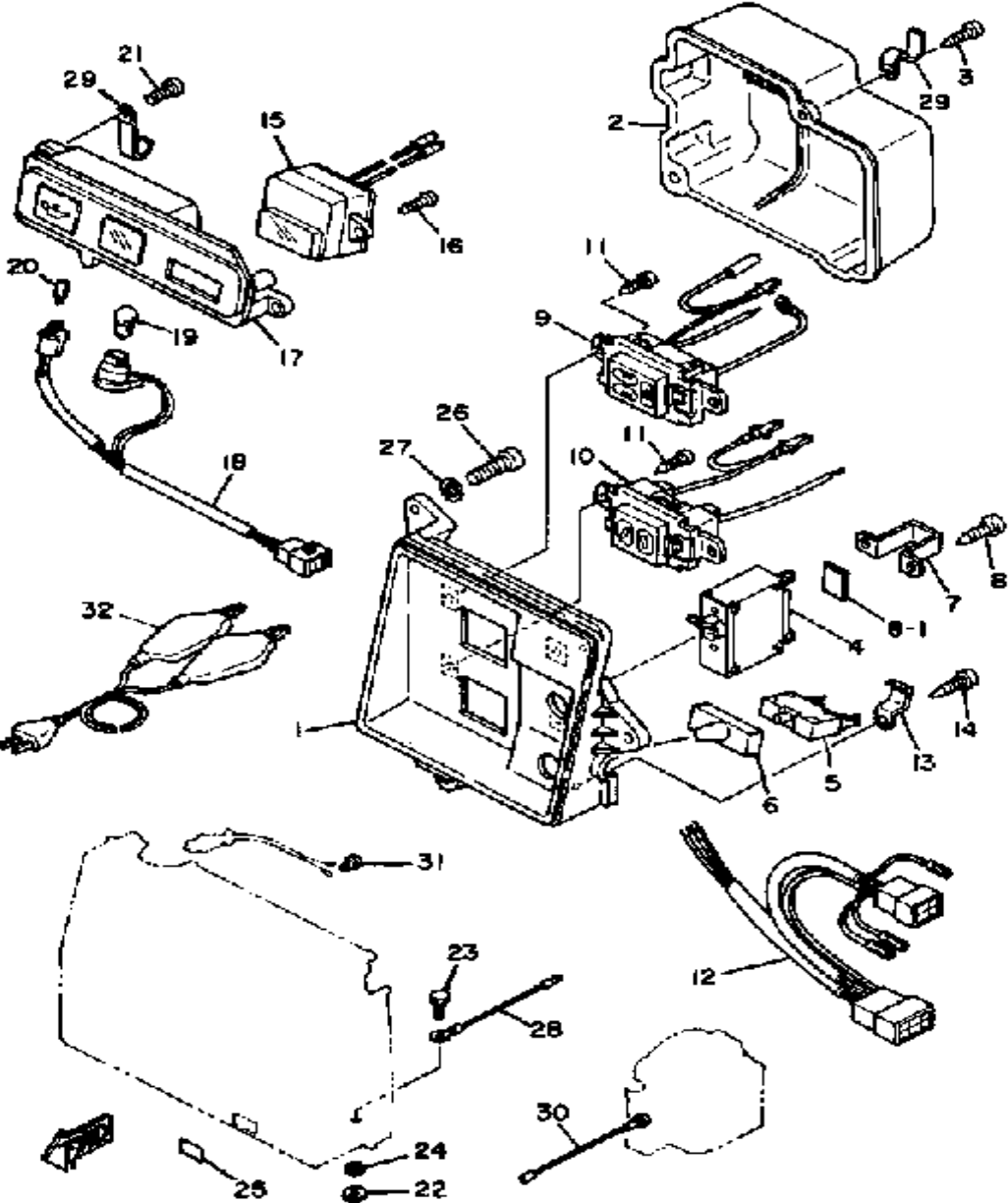


Ref. No.	Part Number	Description	Qty	Remarks
1	7Y0-87150-00-00	STATOR ASSEMBLY (60HZ) ..	1	
2	7X9-87160-01-00	ROTOR ASSEMBLY	1	
3	7X9-87115-00-00	. RECTIFIER ASSEMBLY	2	
4	93306-20328-00	. BEARING	1	
5	7X9-87172-00-00	. FAN, GENERATOR	1	
6	97322-08130-00	BOLT, HEXAGON	1	
7	92901-08600-00	WASHER	1	
8	7X9-87131-00-00	FRAME, REAR	1	
9	97313-06065-00	BOLT, HEXAGON	3	
10	92901-06600-00	WASHER	3	
11	90480-17350-00	GROMMET	1	
12	7H5-87105-01-00	RECTIFIER ASSEMBLY 1	1	
13	98580-05012-00	SCREW, PAN HEAD	1	
14	7X9-87107-00-00	CONDENSER ASSEMBLY	1	
15	7X9-87216-00-00	HOLDER, CONDENSER	1	
16	98580-05010-00	SCREW, PAN HEAD	1	
17	92901-05600-00	WASHER, PLATE	1	
18	95380-05600-00	NUT	1	
19	90464-10038-00	CLAMP	1	
20	7X9-8719F-00-00	TUBE 7	1	

STATOR	
Main Coil Ω	2.13 Ω \pm 10%
Sub Coil Ω	4.03 Ω \pm 10%

ROTOR	
Rotor Coil Ω	13.89 Ω \pm 10%

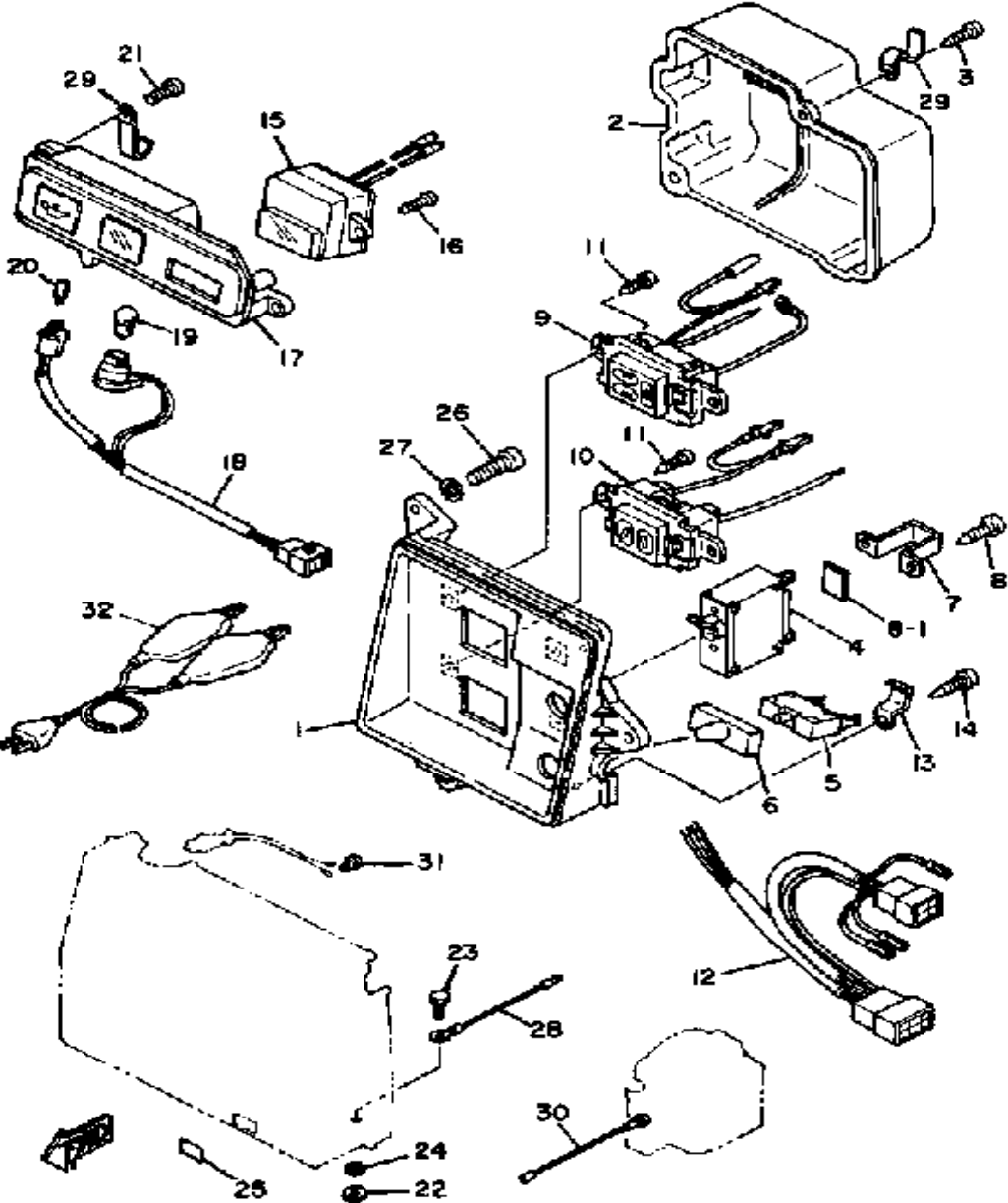
CONTROL BOX



Ref. No.	Part Number	Description	Qty	Remarks
1	7Y0-87211-01-00	BOX, CONTROL	1	
2	7X9-87213-00-00	COVER CONTROL BOX	1	
3	97702-40614-00	SCREW, TAPPING	2	
4	7X9-87204-11-00	BREAKER (250V/4.2A)	1	
5	7G5-82181-00-00	CIRCUIT BREAKER COMP. ...	1	
6	7H5-82182-00-00	COVER, CIRCUIT BREAKER ..	1	
7	7X9-87244-00-00	HOLDER, BREAKER	1	
8	97701-40510-00	SCREW, TAPPING	2	
9	7Y0-87214-00-00	RECEPTACLE COMP.	1	
10	7X9-87239-00-00	RECEPTACLE COMP	1	
11	97701-40510-00	SCREW, TAPPING	4	
12	7X9-87226-00-00	WIRE HARNESS	1	
13	7X9-87248-00-00	HOLDER, BREAKER 2	1	
14	97701-40510-00	SCREW, TAPPING	1	
15	7Y0-87202-80-00	METER SUB ASSEMBLY	1	
16	97780-40112-00	SCREW, TAPPING	2	
17	7Y0-87253-U0-00	HOLDER, SOCKET	1	
18	7X9-83520-00-00	SOCKET CORD ASSEMBLY ..	1	
19	705-84347-00-00	BULB, PILOT LAMP	1	
20	7X9-83531-00-00	BULB, PILOT	1	
21	98511-04012-00	SCREW, PAN HEAD	2	
22	90170-05309-00	NUT, HEXAGON	1	
23	90101-05563-00	BOLT	1	
24	95311-05700-00	NUT	1	
25	7H6-87261-00-00	EMBLEM 1	1	
26	98511-04012-00	SCREW, PAN HEAD	3	
27	92990-04200-00	WASHER, PLAIN	3	
28	7X9-87138-00-00	LEAD WIRE ASSEMBLY 1	1	
29	90461-06087-00	CLAMP	2	

CONTINUED ON NEXT FRAME ➤

CONTROL BOX



Ref. No.	Part Number	Description	Qty	Remarks
30	7X9-87139-00-00	LEAD WIRE ASSEMBLY 2	1	
31	98580-05010-00	SCREW, PAN HEAD	1	
32	7LG-87209-00-00	CHARGE CORD ASSEMBLY	1	ENCLOSED PARTS
33	7X9-87247-00-00	SPACER, BREAKER	1	ENCLOSED PARTS
8-1	7X9-87247-00-00	SPACER, BREAKER	1	