



# **PARTS CATALOGUE**

## **GENERATOR**

**YG500D (7ME1)**

**YG600D (7MD1)**

**YG600DE (7MD1)**

Serial No..	YG500D : 7ME-800101 and following YG600D : 7MD-850101 and following YG600DE : 7MD-800101 and following
-------------	--

**OWNERS                    LIT-19626-00-23**  
**PARTS CATALOG   LIT-19019-YG-03**  
**SERVICE                LIT-19616-00-48**

COLOR CODE	COLOR NAME	ABBREVIATION
ONJ	FARAWAY BLUE	FWB

# FOREWORD

## -INTRODUCTION- To The Yamaha Parts Fiche

This parts fiche lists parts and sub-assemblies for the YG500D/YG600D/DE. When preparing a parts order, please refer to the most recently updated microfiche for this model.

### THE YAMAHA PARTS FICHE

#### SYMBOLS

[ ]	Inactive, no longer available
U.R.	Use size (thickness) and/or number as required
U.N.	Use as many as you need
T	Number of teeth in a gear
V	Voltage for light bulbs
S	"S" type oil seal or "S" type circlip
SD,SO,SW	"SD", "SO", or "SW" type oil seal
E,R	"E" or "R" type circlip
F/No.	Frame No. (Applicable Machine No.)
L.M.	Locally made
O.L.	Obtain locally
AP	Alternate Part

#### SUPERSEDED PART NUMBERS

If part 'A' has been superseded by part 'B', the superseding part number "B" will appear in the part number listing with the superseded part number "A" appearing in parentheses immediately following the description.

#### EXAMPLE:

Ref. No.	Part No.	Description	Qty.
	(Part 'B')	(Part 'A')	
8	796-15711-05-86	CASE, STARTER (796-15711-03-86).....1	

A part that has been supersede to a kit may be identified by a 99999-00000-00 part number appearing in the part number column. The old superseded part number will appear in parentheses immediately following the description. Listed directly below the 99999 part number will be those parts making up the kit. The description of the parts making up the kit will be preceded by a small black dot (.) and the description will be indented one letter space.

#### EXAMPLE:

Ref. No.	Part No.	Description	Qty.
8	99999-12345-00	CYLINDER (111-12345-00-00) .....1	
	234-56789-00-00	• HEAD, CYLINDER.....1	

#### SIZES

Except for steel balls (ball sizes are indicated in inches), all parts sizes are indicated in millimeters as in the following examples:

Hose (Rubber or Vinyl) .....	Inside Diameter - Length
O-Ring .....	Section Area - Inside Diameter
Washer, Shim, Collar.....	Inside Diameter - Outside Diameter Thickness (Length)

#### ASSEMBLIES AND COMPONENT PARTS

Assemblies and their component parts, are identified by an indention of one letter space, and the description is preceded by a dot (.). If two main assemblies are listed, and have the same basic description (i.e.: left and right sides of the same assembly), one will immediately follow the other. If each of these main assemblies is made up of almost the same components, these component parts will be listed immediately under the second main assembly line and will be indicated, as noted above.

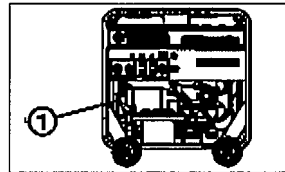
If the component is the same for both main assemblies, the quantity indicated will be the total required. If the component is not the same for both main assemblies, the quantity for each separate item will be listed separately.

#### EXAMPLE:

Description	Qty
CARBURETOR ASSY, LEFT .....	1
CARBURETOR ASSY, RIGHT .....	1
. JET, PILOT .....	2
. NOZZLE, MAIN .....	2
. LEVER, STARTER, LEFT .....	1
. LEVER, STARTER, RIGHT .....	1

#### APPLICABLE SERIAL NO.

(1) Serial No.

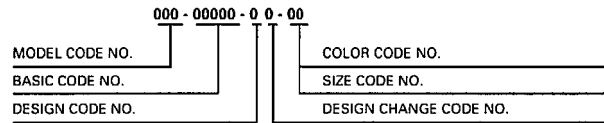


# FOREWORD

## THE YAMAHA PART NUMBER

The Yamaha part number consists of 12 digits. Each number represents a specific piece of information relating to a replacement part. The following is a guide for reading and interpreting the Yamaha part number.

### BASIC PART NUMBER CONFIGURATION:



### MODEL CODE NUMBER

FIRST THREE DIGITS . . . 000-00000-00-00

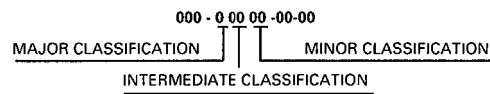
Every model in each Yamaha product line is assigned a model number to identify that particular model. All component parts are given the model code number relating to the model on which they were first used.

Example: 7J0-00000-00-00 identifies the EF2000.  
7J4-00000-00-00 identifies the EF2800.

### BASIC CODE NUMBER

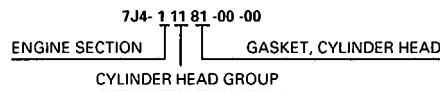
MIDDLE FIVE DIGITS . . . 000-00000-00-00

These "Middle Five Digits" indicate the type of part i.e., piston, rings, lower units, etc. The five digits are broken down as follows:



The "Major Classification" indicates the section to which the parts belong, i.e., engine, electrical etc. The "Intermediate" and "Minor Classifications" indicate more specific details.

Example:



### DESIGN CODE NUMBER: 000-00000-00-00

The design code distinguishes like component parts from one another when specification differences are involved. For example, distinguishing a standard size piston ring from an oversized piston ring.

Example:

7J4-11610-0 0-00 Standard Piston Ring Set for EF2800  
7J4-11610-0 2-00 Oversize Piston Ring Set for EF2800

### DESIGN CHANGE CODE NUMBER: 000-00000-00-00

This code number is used to identify a difference between a new component part and old one when a new part is created by changing the old one.

Example: EF2800

7J4-11610-0 0-00 PISTON RING SET, STD. - ORIGINAL  
7J4-11610-0 1-00 PISTON RING SET, STD. - FIRST DESIGN CHANGE

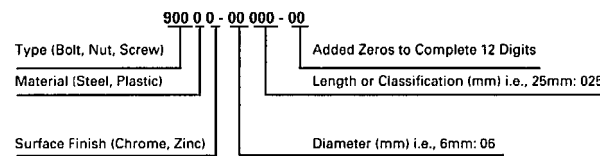
Only major changes to performance, durability, quality, appearance, cost or interchangeability will affect a part number change.

### COLOR CODE & SIZE CODE NUMBER: 000-00000-00-00

When applicable, the last two digits of the part number identify:

1. Color Code: The painted color or type of plating or surface treatment used on certain parts.
2. Size Code: The last two digits are also used to show the size of parts (mm). Such as the thickness of shims or the size of pistons.

### HARDWARE (Fastener) PART NUMBER CONFIGURATION:



TYPE:

A fastener part number always begins with the number "9" followed by either a 0, 1, 2, 3, 4, 5, 6, 7 or 8 designating one of eight major divisions within this group.

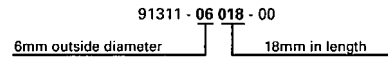
# FOREWORD

## Example:

- 9 0 000-00000-00 "0" designates various types.
- 9 1 000-00000-00 "1" designates bolts, cotter pins, etc.
- 9 2 000-00000-00 "2" designates screw, nuts, etc.
- 9 3 000-00000-00 "3" designates oil seals, o-rings, bearings, etc.
- 9 4 000-00000-00 "4" designates spark plugs.
- 9 5 000-00000-00 "5" designates bolts and nuts.
- 9 7 000-00000-00 "7" designates ISO bolts.
- 9 8 000-00000-00 "8" designates ISO screws and nuts.

The only major divisions which the mechanic should become familiar with are those related to the general hardware (nuts, bolts, and washers), since these are the most commonly used and most often replaced items. By knowing how to interpret the part number, the dimensions of a piece of hardware can be determined. This can be very helpful during major engine repair, and general parts replacement.

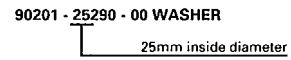
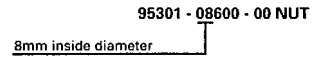
## BOLT EXAMPLE:



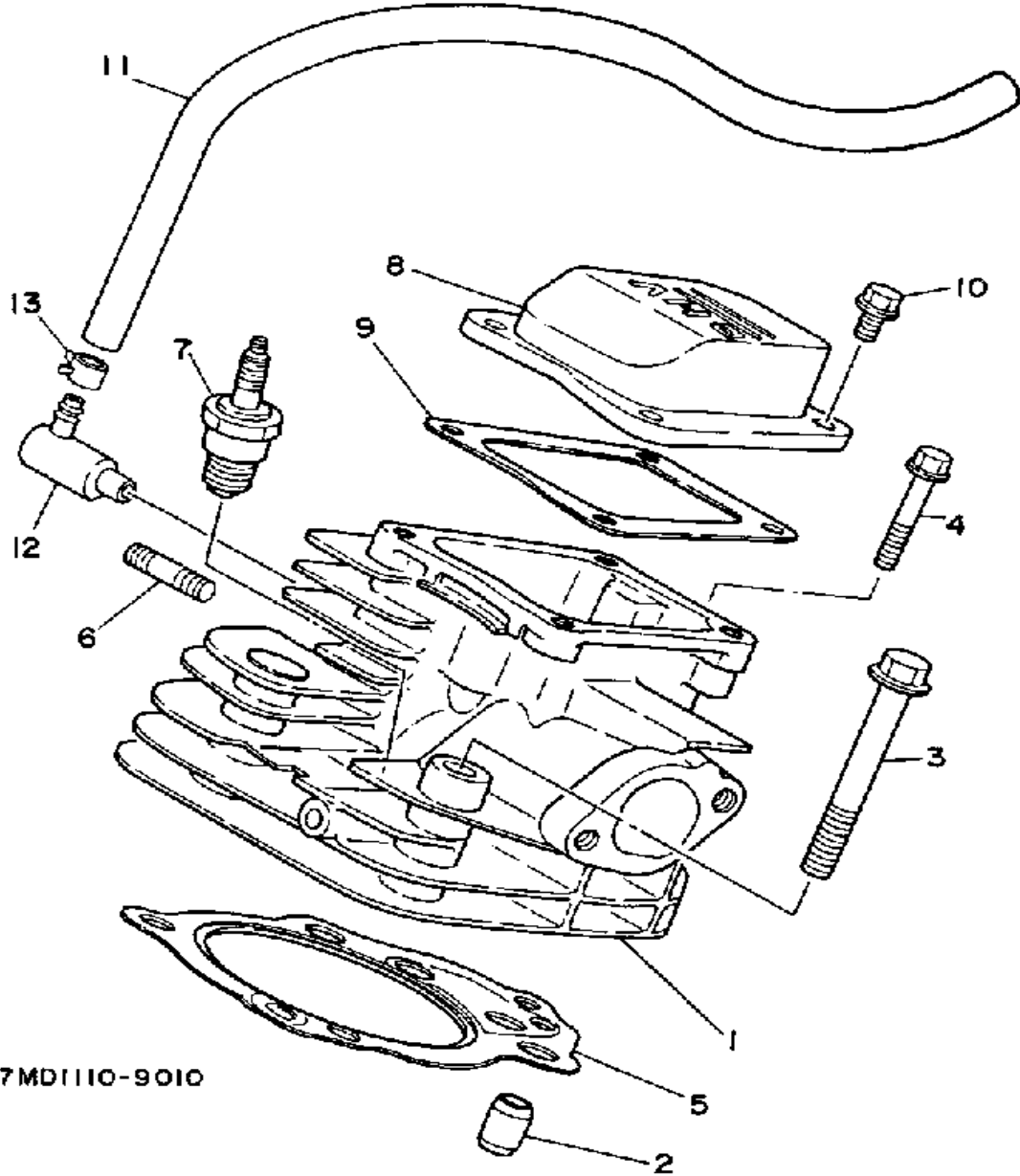
## EXCEPTION:

It is NOT possible to identify the LENGTH of bolts having a 901 prefix. Only the bolt diameter can be identified with this number.

## NUT AND WASHER EXAMPLE:



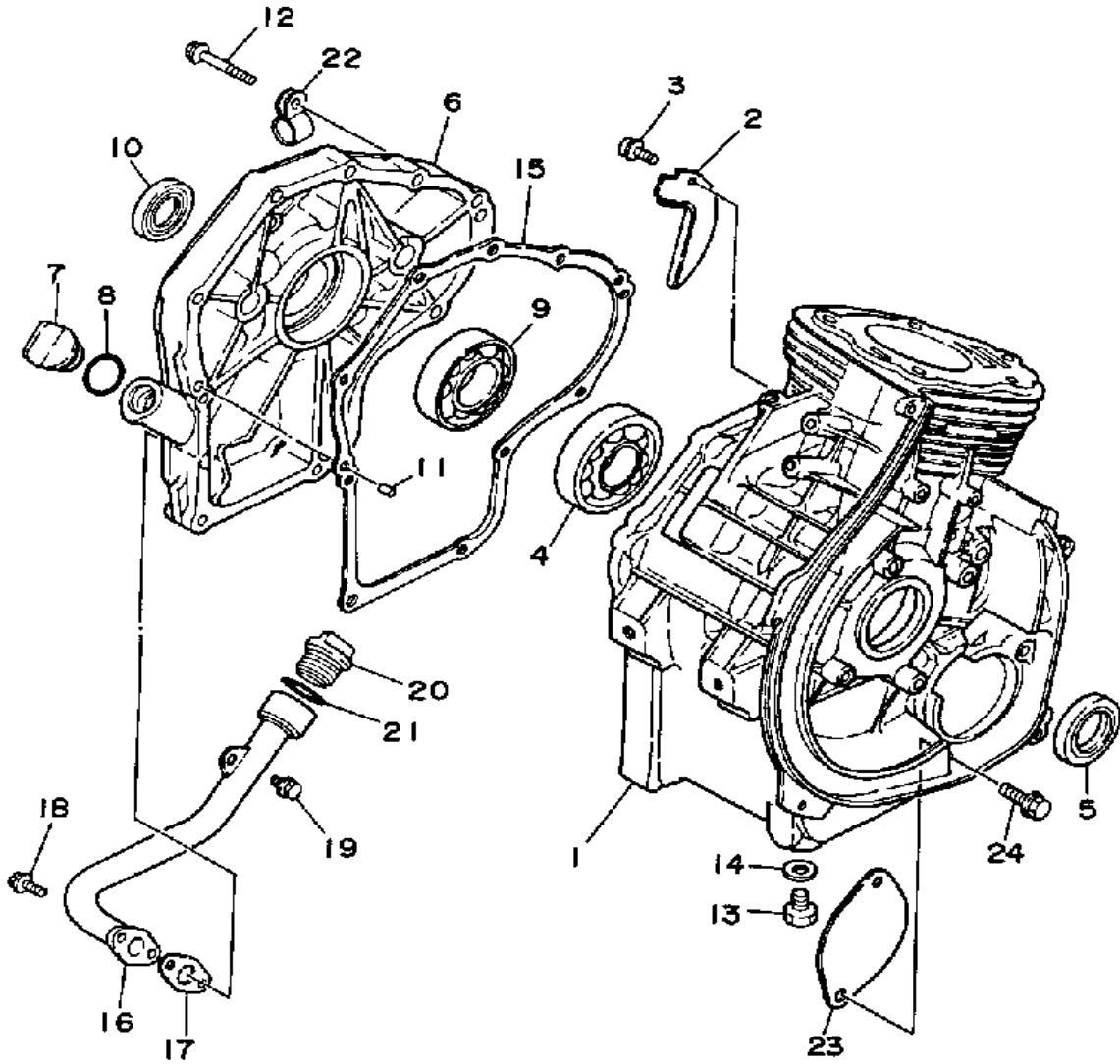
# CYLINDER 1



7MD1110-9010

Ref. No.	Part Number	Description	Qty	Remarks
1	7LV-11102-09-00	CYLINDER HEAD ASSEMBLY (7LV-11102-00)	1	
2	99510-12016-00	PIN, DOWEL	2	
3	95811-10070-00	BOLT, FLANGE	4	
4	95811-06045-00	BOLT, FLANGE	1	
5	7KY-11181-01-00	GASKET, CYLINDER. HEAD	1	
6	95622-08625-00	BOLT, STUD	2	
7	NGK-BPR5E-S0-00	NGK BPR5ES 4PK	1	
8	7KY-11191-00-00	COVER, CYLINDER.HEAD 1	1	
9	7KY-11193-00-00	GASKET, HD.COVER 1	1	
10	95811-06012-00	BOLT, FLANGE (95801-06012)	4	
11	7LV-15373-01-00	PIPE, BREATHER	1	
12	7KY-15148-00-00	NOZZLE 2	1	
13	90467-13064-00	CLIP	1	

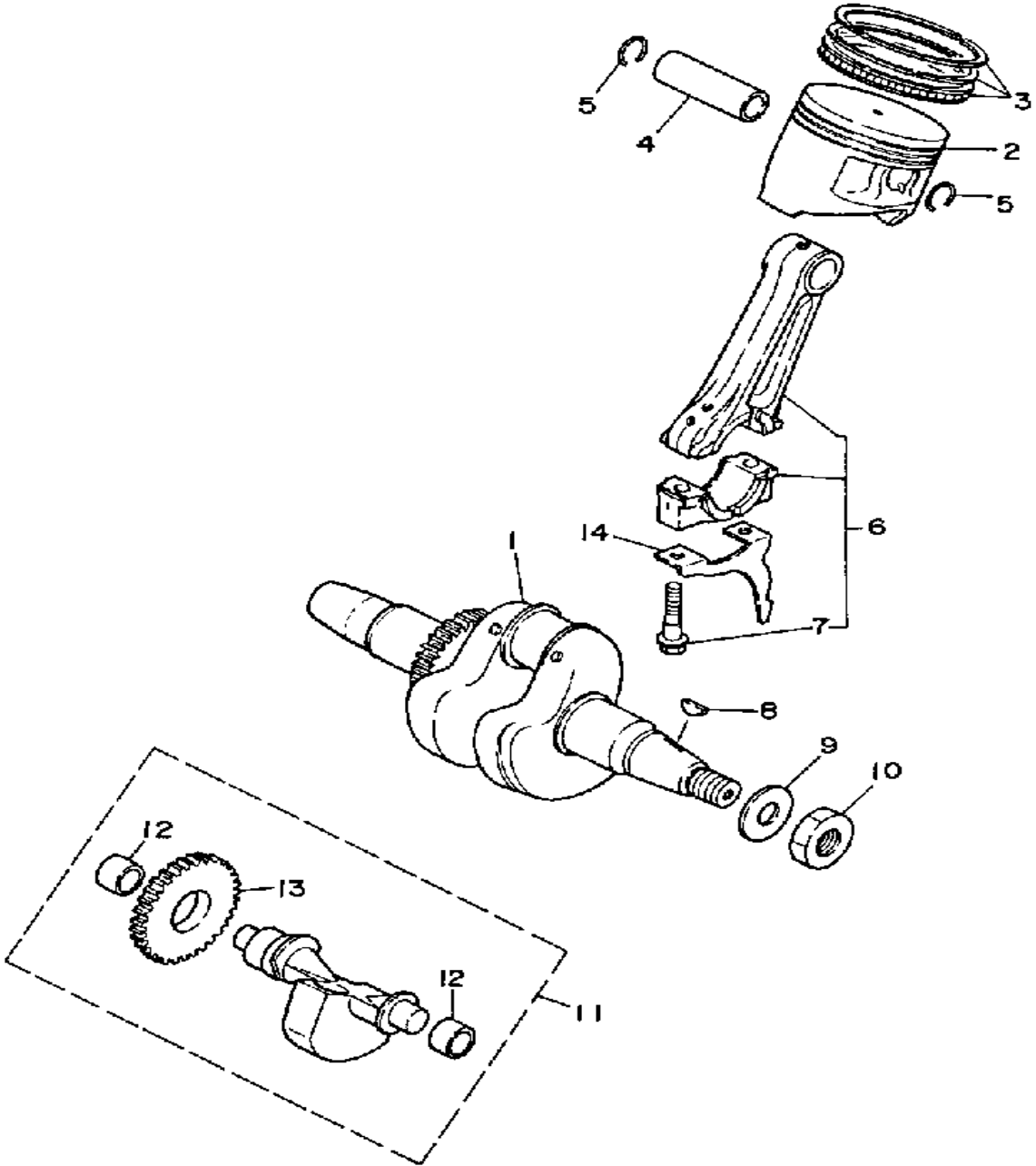
# CRANKCASE 1



7MD1110-9100

Ref. No.	Part Number	Description	Qty	Remarks
1	7LV-15111-01-00	CRANKCASE 1 (7LV-15111-00)	1	
2	7KY-15123-00-00	PLATE, BUFFLE 1	1	
3	90159-05117-00	SCREW, W/WASHER (J38)	2	
4	93306-30713-00	BEARING	1	
5	93102-35191-00	OIL SEAL	1	
6	99999-01971-00	UNAVAILABLE IN PRICE BOOK (7LV-15411-00)	1	
	YH1-14103-97-1H	. UNAVAILABLE IN PRICE BOOK	1	
	YH1-25011-22-0H	. UNAVAILABLE IN PRICE BOOK	1	
7	796-15363-01-00	PLUG, OIL	1	
8	93210-22344-00	O-RING	1	
9	93306-20716-00	BEARING (93306-20714)	1	
10	93102-35319-00	OIL SEAL, SD-TYPE	1	
11	93608-12063-00	PIN, DOWEL	2	
12	95811-08045-00	BOLT, FLANGE	10	
13	90340-12097-00	PLUG, STRAIGHT SCRW	1	
14	90430-12199-00	GASKET	1	
15	7KY-15451-00-00	GASKET, CRCS COVER	1	
16	7LV-15112-00-00	PIPE, OIL	1	
17	7LV-15453-00-00	GASKET, CARB COVER	1	
18	95811-06016-00	BOLT, FLANGE (95801-06016)	2	
19	95811-06012-00	BOLT, FLANGE (95801-06012)	1	
20	796-15363-01-00	PLUG, OIL	1	
21	93210-22344-00	O-RING	1	
22	90461-08073-00	CLAMP	1	
23	7LV-15113-10-00	PLATE	1	
24	95811-08035-00	BOLT, FLANGE	2	

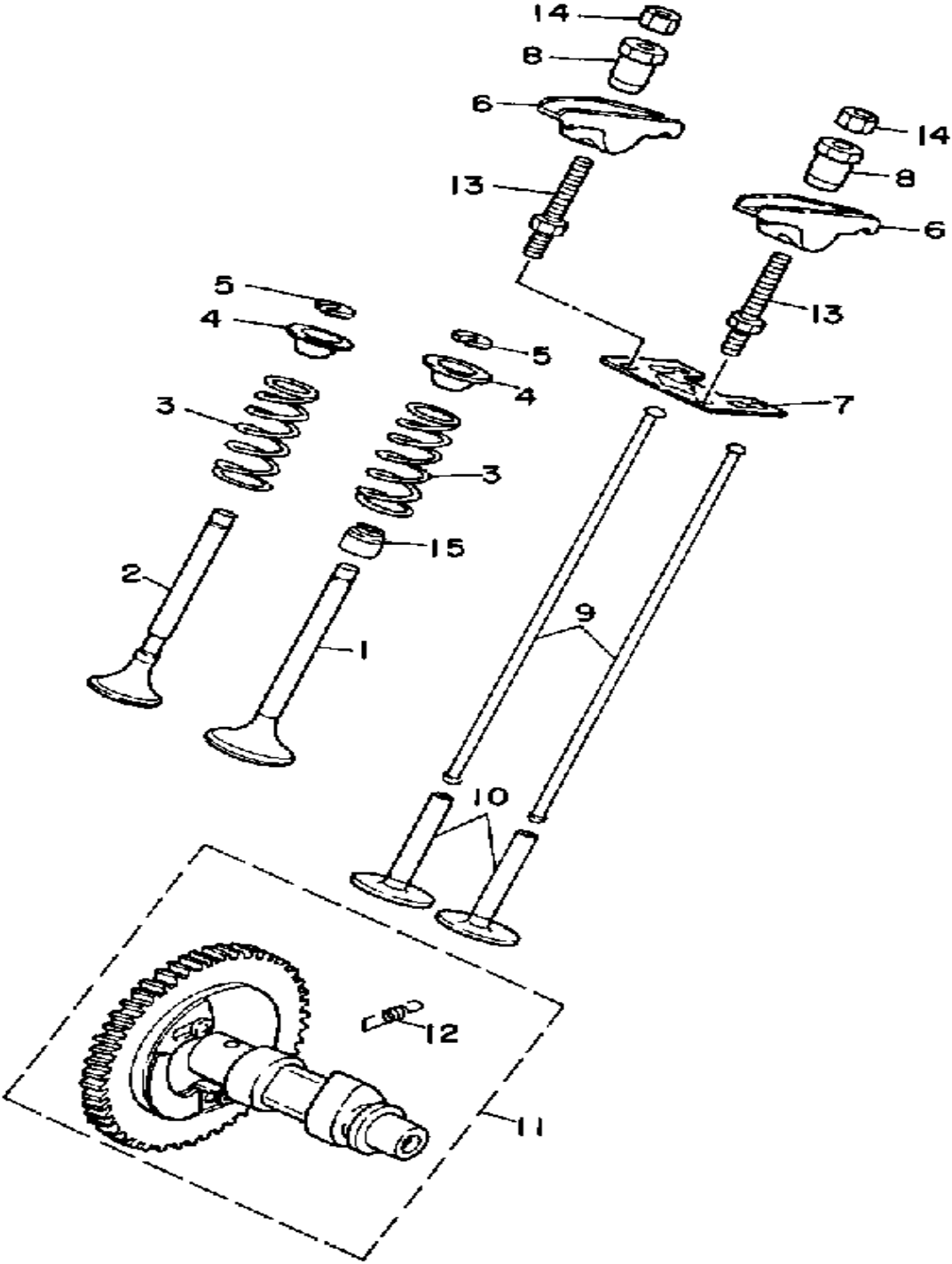
# CRANKSHAFT - PISTON 1



Ref. No.	Part Number	Description	Qty	Remarks
1	7LV-11400-00-00	CRANKSHAFT ASSEMBLY . . .	1	
2	JA1-11631-00-A0	PISTON STD . . . . .	1	
	JA1-11635-00-00	PISTON 1ST O/S (0.25MM O/S)	1	AP
	JA1-11636-00-00	PISTON 2ND O/S (0.50MM O/S)	1	AP
3	7LV-11610-00-00	PISTON RING, STD . . . . .	1	
	7LV-11610-10-00	PISTON RING, 1ST OS (1ST O/S) . . . . .	1	AP
	7LV-11610-20-00	PISTON RING, 2ND OS (2ND O/S) . . . . .	1	AP
4	7KY-11633-01-00	PIN, PISTON . . . . .	1	
5	93450-22027-00	CIRCLIP . . . . .	2	
6	7KY-11650-01-00	CONNECTING ROD ASSEMBLY	1	
7	7KY-11654-00-00	. BOLT, CON ROD . . . . .	2	
8	90280-16053-00	KEY, WOODRUFF (90280-05048-00) . . . . .	1	
9	90201-18620-00	WASHER, PLATE . . . . .	1	
10	90170-18332-00	NUT, HEXAGON . . . . .	1	
11	7KY-11500-00-00	BALANCER ASSEMBLY . . . . .	1	
12	90387-172U1-00	. COLLAR . . . . .	2	
13	7KY-11531-00-00	. GEAR, BALANCE WT . . . . .	1	
14	7KY-11657-01-00	SPLASHER, OIL . . . . .	1	

MD1110-9020

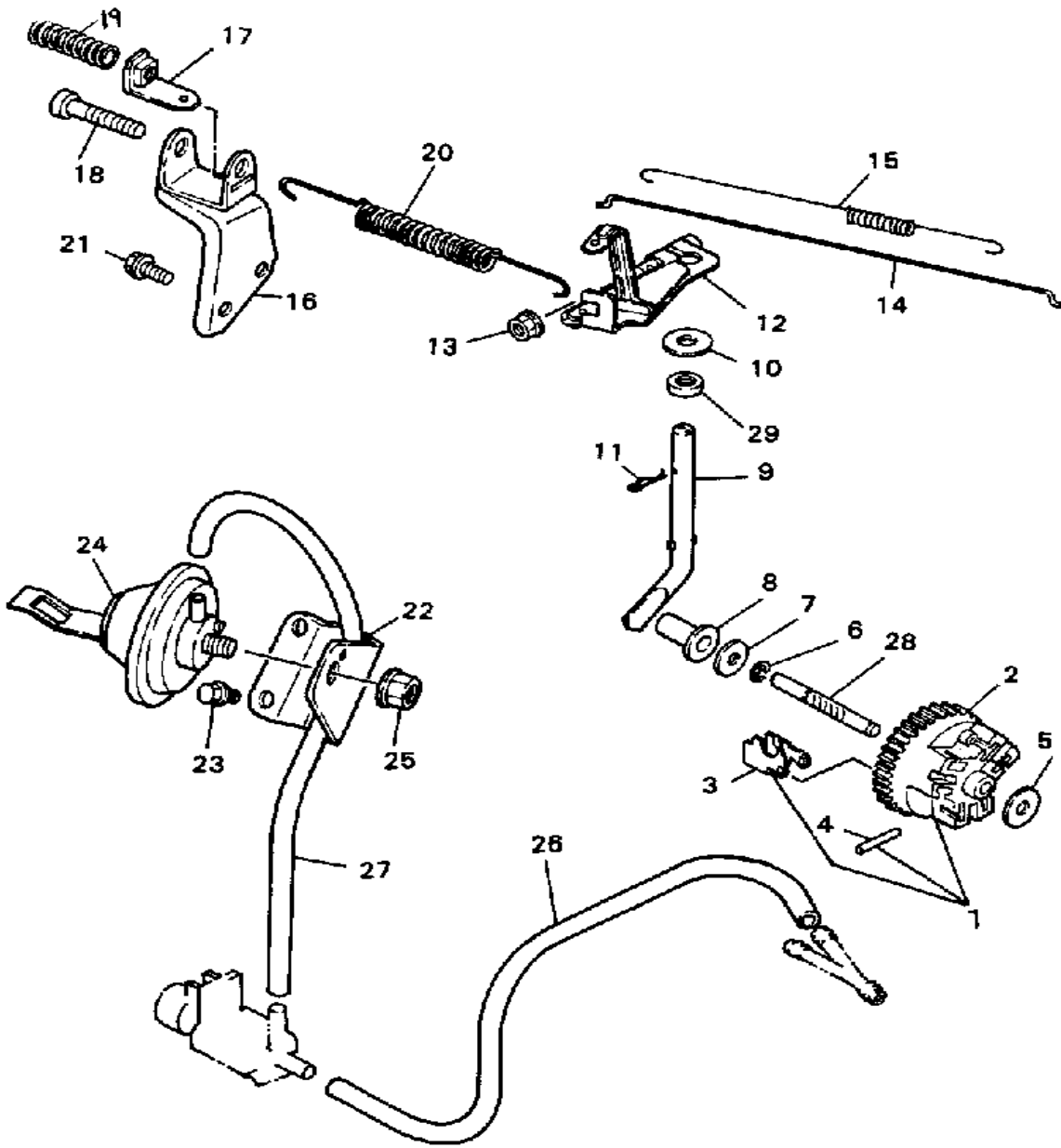
# CAM SHAFT - VALVE



Ref. No.	Part Number	Description	Qty	Remarks
1	JA1-12111-01-00	VALVE, INTAKE .....	1	
2	JA1-12121-00-00	VALVE, EXHAUST .....	1	
3	90501-264A9-00	SPRING, COMPRESSION .....	2	
4	J38-12117-01-00	RETAINER, VALVE SPR .....	2	
5	J38-12118-00-00	COTTER, VALVE .....	2	
6	7KY-12151-00-00	ARM, VALVE ROCKER .....	2	
7	7KY-12155-00-00	GUIDE, PUSH ROD .....	1	
8	7FK-12165-00-00	PIVOT, ROCKER ARM .....	2	
9	7KY-12154-00-00	ROD, VALVE PUSH .....	2	
10	7KY-12153-00-00	LIFTER, VALVE .....	2	
11	JA1-12170-02-00	CAMSHAFT ASSEMBLY 1 (JA1-12170-01) .....	1	
12	90507-03048-00	. SPRING, TENSION .....	1	
13	7FK-12157-00-00	NUT, LOCK .....	2	
14	7FK-12158-00-00	NUT, LOCK .....	2	
15	5H0-12119-00-00	SEAL, VALVE STEM .....	1	



# GOVERNOR 1

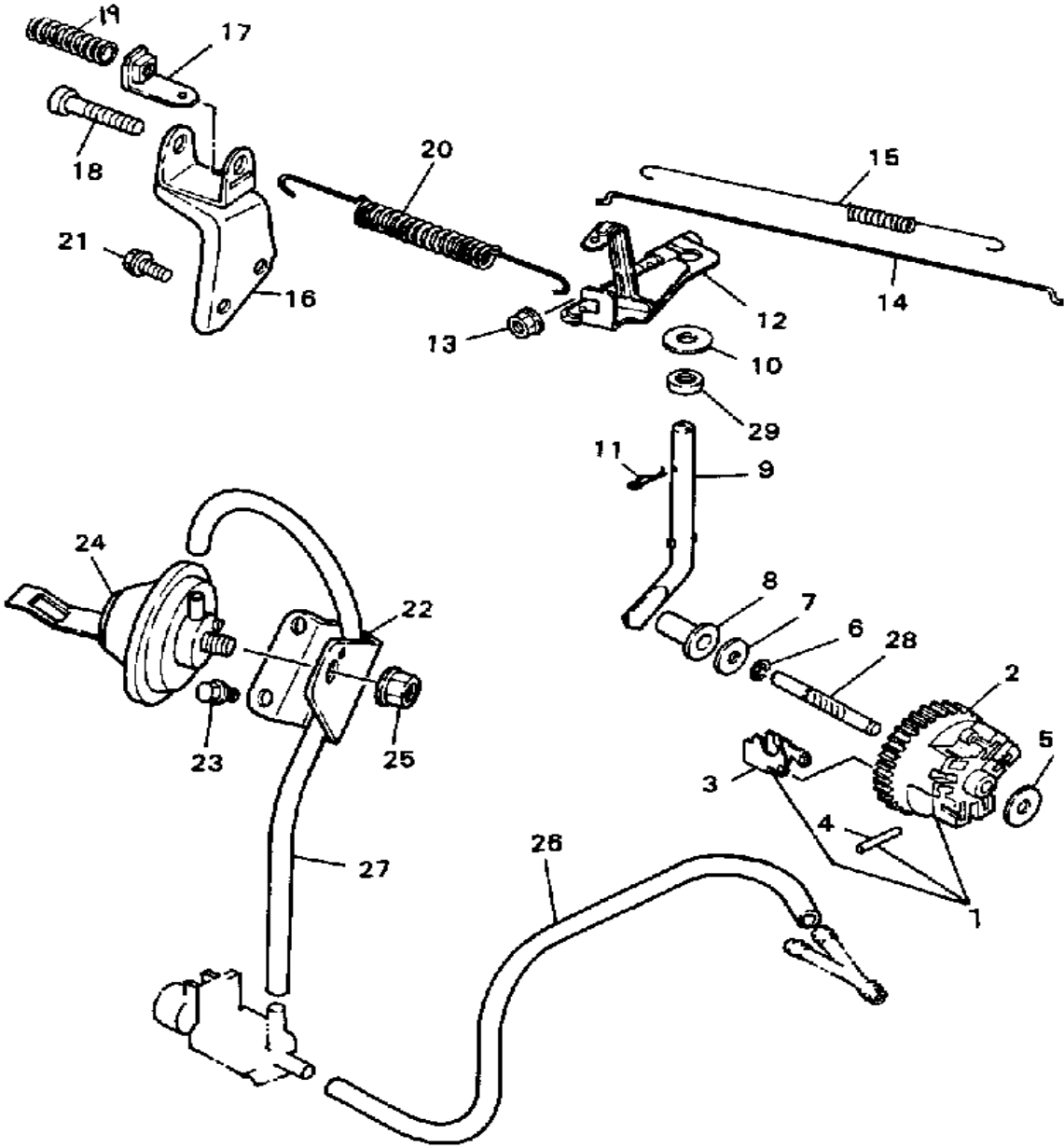


7MD1110-9030

Ref. No.	Part Number	Description	Qty	Remarks
1	7LV-11970-00-00	FLYWEIGHT GEAR ASSEMBLY	1	
2	7KY-11972-01-00	GEAR, FLYWGHT SHAFT	1	
3	7KY-11913-00-00	WEIGHT	3	
4	7FK-11914-00-00	SHAFT, WEIGHT	3	
5	90201-062P7-00	WASHER, PLATE	1	
6	93440-06107-00	CIRCLIP, OUTER	1	
7	90201-067L0-00	WASHER, PLATE	1	
8	7KY-11917-00-00	COLLAR	1	
9	7KY-11922-00-00	FORK, GOVERNOR	1	
10	90201-087H6-00	WASHER, PLATE	2	
11	90468-12006-00	CLIP	1	
12	7LV-11924-00-00	ARM, GOVENOR	1	
13	95701-06500-00	NUT, FLANGE	1	
14	7LV-11928-00-00	ROD, LINK	1	
15	90506-05442-00	SPRING, TENSION	1	
16	7LV-11940-00-00	STAY	1	
17	7LV-11931-00-00	LEVER	1	
18	98580-06035-00	SCREW, PAN HEAD (92501-06035)	1	
19	90501-10264-00	SPRING, COMPRESSION	1	
20	7LV-11925-02-00	. UNAVAILABLE IN PRICE BOOK	1	
	7LV-11970-00-00	. FLYWEIGHT GEAR ASSEMBLY	1	
	99999-02046-00	SPRING, GOVERNOR (7LV-11925-00)	1	
21	95811-06012-00	BOLT, FLANGE (95801-06012)	2	
22	7LV-11998-00-00	BRACKET 1	1	
23	95811-06020-00	BOLT, FLANGE	2	
24	7X6-11960-00-00	DIAPHRAGM ASSEMBLY	1	

CONTINUED ON NEXT FRAME ►

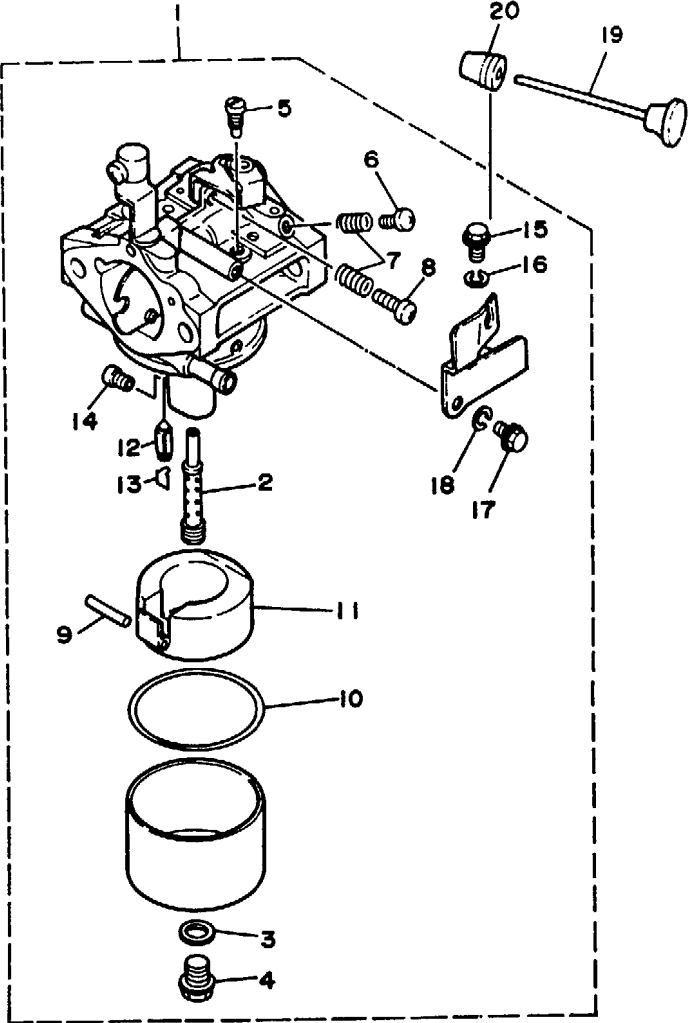
# GOVERNOR 1



Ref. No.	Part Number	Description	Qty	Remarks
25	95701-08500-00	NUT, FLANGE (95702-08500) ..	1	
26	7LV-13545-00-00	HOSE 1 .....	1	
27	7LV-11971-00-00	SHAFT, FLYWEIGHT .....	1	
28	93109-08050-00	OIL SEAL .....	1	
29	93109-08050-00	OIL SEAL .....	1	

7MD1110-9030

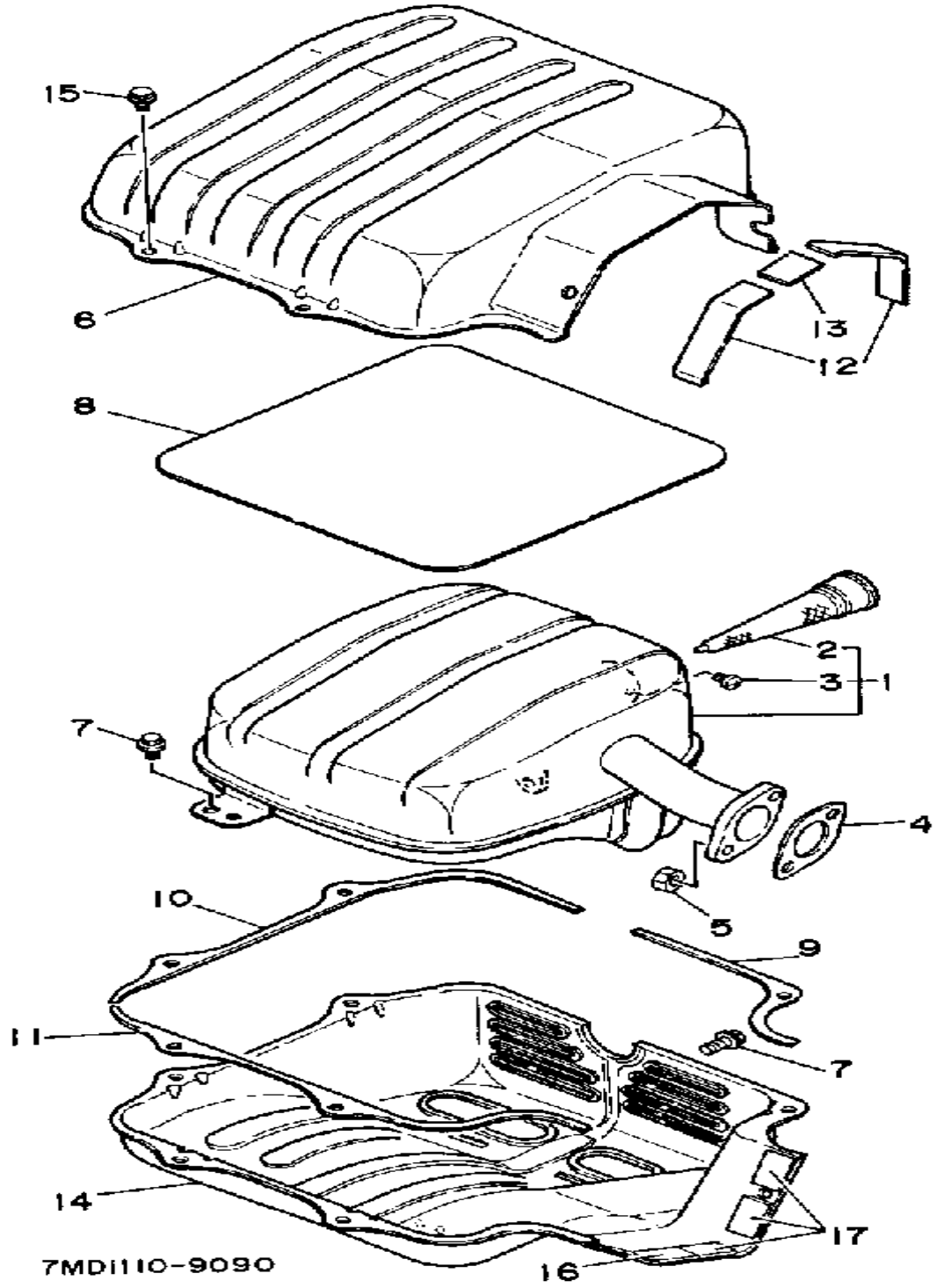
# CARBURETOR



7MD1110-9080

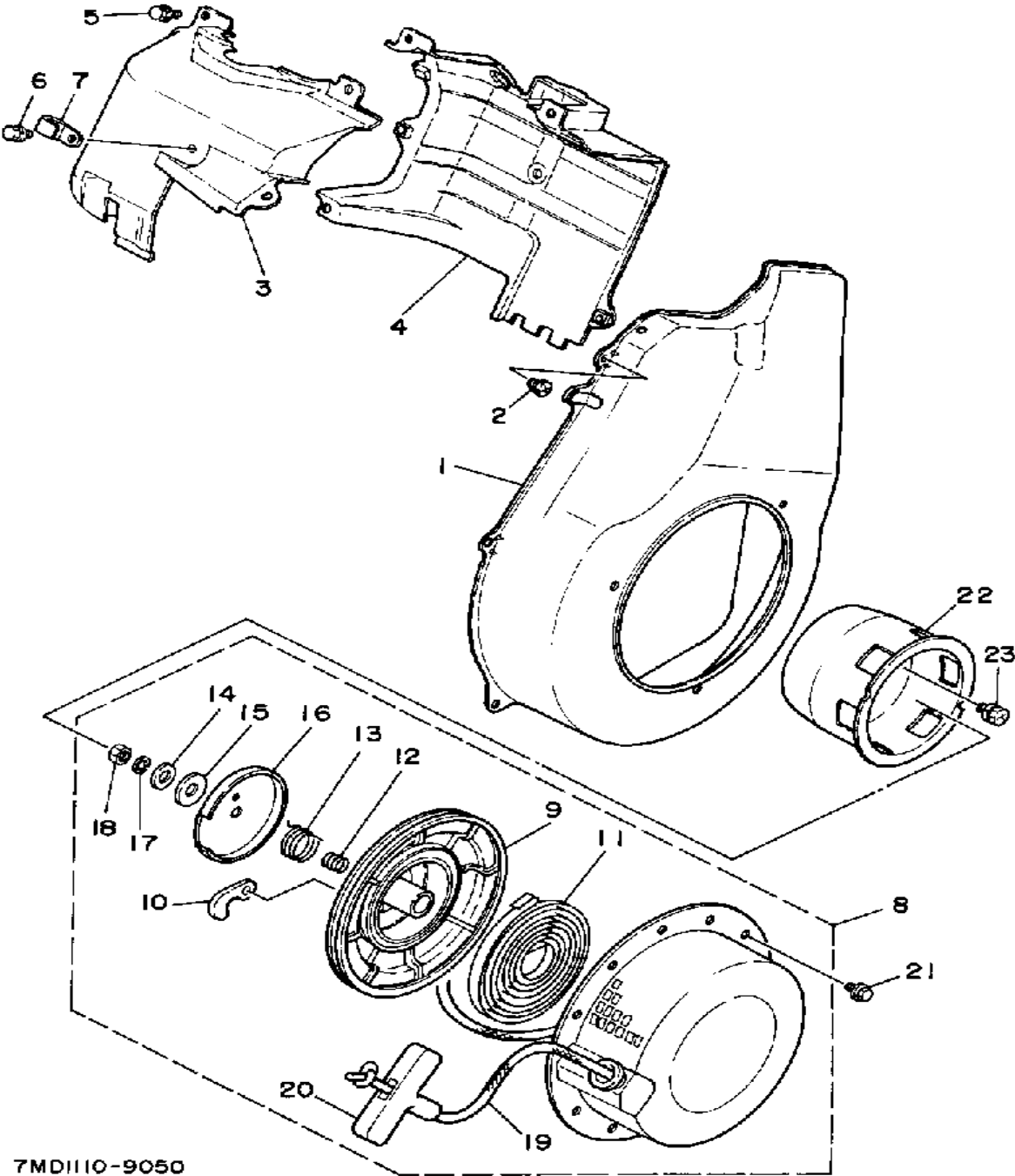
Ref. No.	Part Number	Description	Qty	Remarks
1	7LV-14453-01-00	. JOINT, AIR CLNR 1	1	
	7LW-14101-02-00	. CARBURETOR ASSEMBLY 1	1	
	99999-02042-00	CARB. ASSEMBLY 1 (7LW-14101-00)	1	
2	7LW-14941-53-00	. NOZZLE, MAIN	1	
3	127-14198-00-00	. GASKET	1	
4	75J-14150-01-00	. BOLT, HOLDING	1	
5	7LW-14142-65-00	. JET, PILOT (#65)	1	
6	8M8-14211-00-00	. SCREW, PILOT ADJUSTING	1	
7	73A-14212-00-00	. SPRING, PILOT ADJUSTING	2	
8	7LW-14216-00-00	. SCREW	1	
9	22F-14186-00-00	. PIN, FLOAT	1	
10	796-14184-00-00	. GASKET, FLOAT CHMBR	1	
11	7KY-14185-00-00	. FLOAT	1	
12	7KY-14150-00-00	. NEEDLE ASSEMBLY	1	
13	7EG-14159-00-00	. CLIP	1	
14	7LW-14231-26-00	. JET, MAIN (#130)	1	
15	98501-05010-00	. SCREW, PAN HEAD	1	
16	92990-05100-00	. WASHER, SPRING	1	
17	98580-04008-00	. SCREW, PAN HEAD (98501-04008-00)	1	
18	92901-04100-00	. WASHER, SPRING	1	
19	796-14583-00-00	LEVER, CHOKE	1	
20	796-14445-00-00	GROMMET	1	

# EXHAUST 1



Ref. No.	Part Number	Description	Qty	Remarks
1	99999-02197-00	SPARK ARRESTER	1	
2	7LR-14786-00-00	. ARRESTER, SPARK	1	
3	97701-40506-00	. SCREW, TAPPING	1	
4	7KY-14613-01-00	GASKET, EXHAUST	1	
5	95380-08600-00	NUT	2	
6	7LV-14718-00-98	PROTECTOR, MUFF 1	1	LW GLOSS BK
7	95811-08016-00	BOLT, FLANGE	3	
8	7LR-22876-00-00	SEAL 4	1	
9	7LV-1477K-01-00	PLATE 1 (7LV-1477K-00)	1	
10	7LR-1477L-01-00	PLATE 2 (7LR-1477L-00)	1	
11	7LV-1477M-01-00	PLATE 3 (7LV-1477M-00)	1	
12	7LR-22875-01-00	SEAL 3 (7LR-22875-00)	2	
13	7LV-22875-01-00	SEAL 3	1	
14	7MF-14728-00-98	PROTECTOR, MUFF 2	1	LW GLOSS BK
15	95811-06012-00	BOLT, FLANGE (95801-06012)	6	
16	7LR-22875-01-00	SEAL 3 (7LR-22875-00)	1	
17	7LV-22875-01-00	SEAL 3	3	

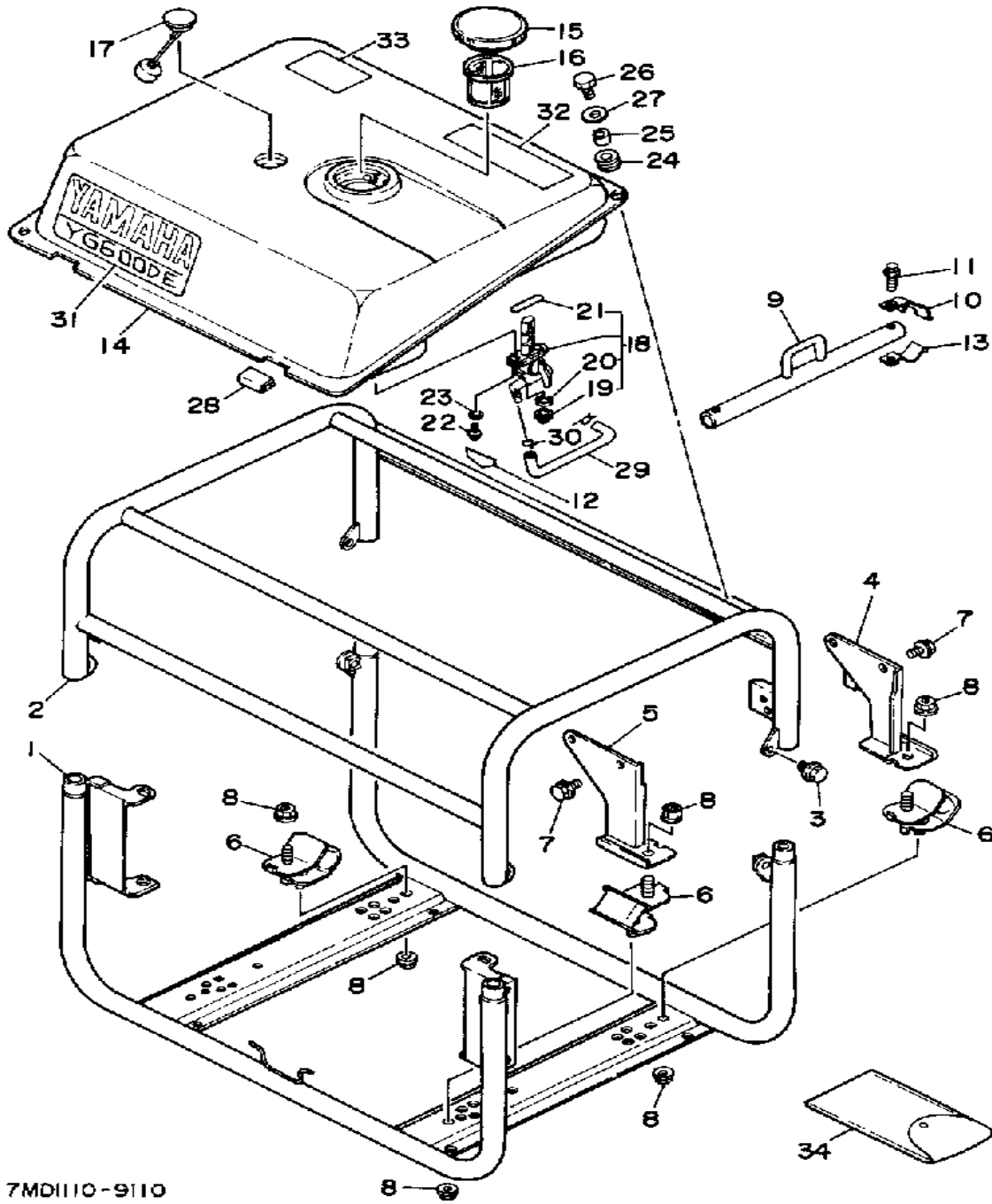
# AIR SHROUD - STARTER 1



7MD110-9050

Ref. No.	Part Number	Description	Qty	Remarks
1	7LV-12621-00-NJ	CASE, FAN .....	1	FARAWAY BLU
2	90153-06045-00	SCREW, HEXAGON .....	5	
3	7LV-12651-00-00	AIR SHROUD, CYLINDER 1 ...	1	
4	7LV-12652-00-00	AIR SHROUD, CYLINDER 2 ...	1	
5	90153-06045-00	SCREW, HEXAGON .....	5	
6	90109-06513-00	BOLT .....	2	
7	90465-08028-00	CLAMP .....	1	
8	7LV-15710-00-00	STARTER ASSEMBLY .....	1	
9	7LV-15714-00-00	. DRUM, SHEAVE .....	1	
10	7LV-15741-00-00	. PAWL, DRIVE .....	2	
11	730-15713-01-00	. SPRING, RETURN .....	1	
12	7LV-15715-00-00	. SPRING, DRIVE PLATE .....	1	
13	7LV-15784-00-00	. SPRING, RETURN .....	1	
14	7R1-15726-00-00	. WASHER, FLAT .....	1	
15	8G5-15739-00-00	. WASHER, THRUST .....	1	
16	7R1-15716-00-00	. PLATE, DRIVE .....	1	
17	92995-06100-00	. WASHER, SPRING (92990-06100-00) .....	1	
18	95380-06600-00	. NUT (95303-06600) .....	1	
19	7LV-15751-00-00	. WIRE, STARTER .....	1	
20	7LV-15755-00-00	. HANDLE, STARTER .....	1	
21	90153-06045-00	SCREW, HEXAGON .....	3	
22	7LV-15723-00-00	PULLEY, STARTER .....	1	
23	90159-08070-00	SCREW, WITH WASHER .....	3	

# FRAME - FUEL TANK 1

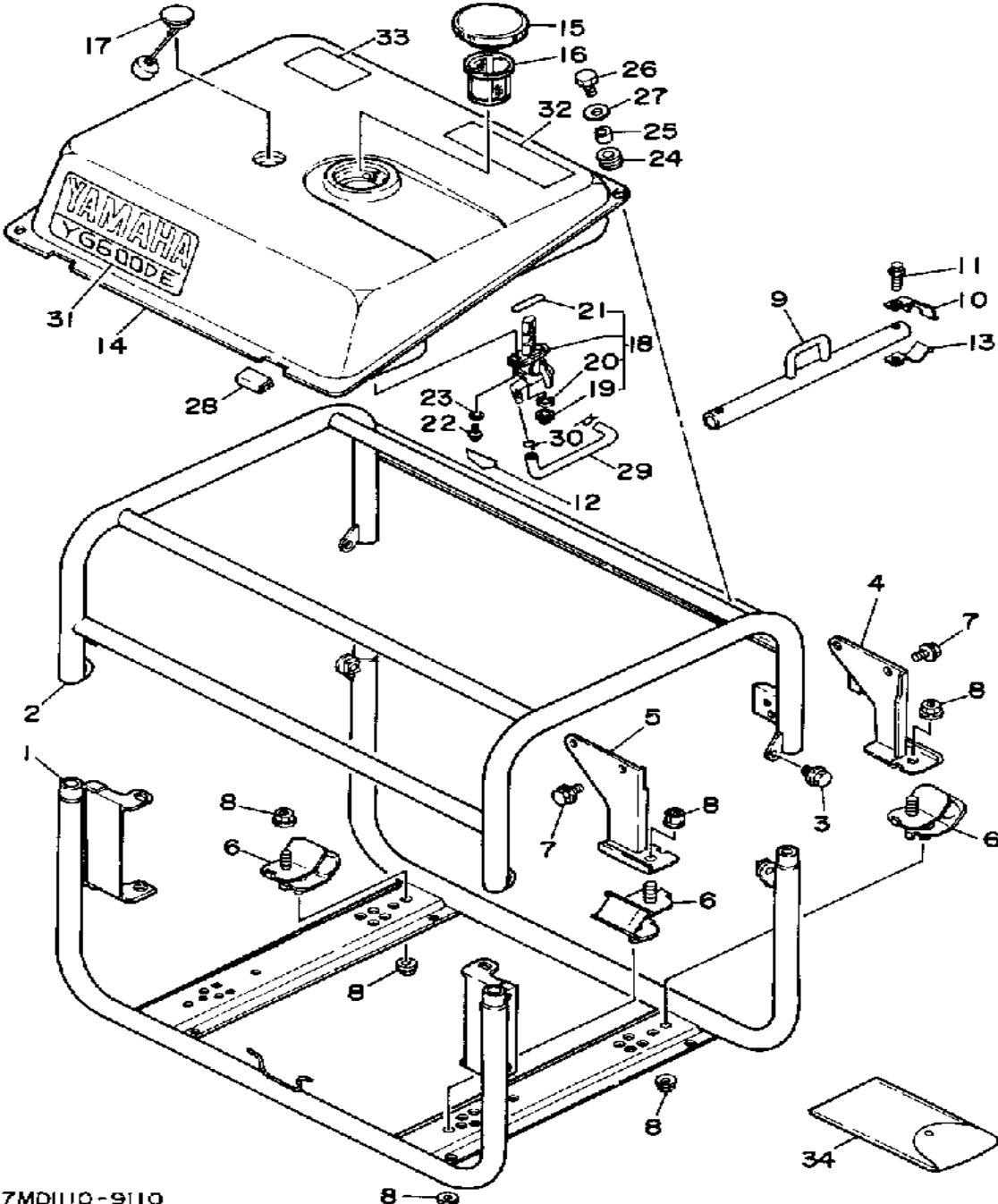


7MD110-9110

Ref. No.	Part Number	Description	Qty	Remarks
1	7LV-22840-00-00	FRAME COMP. 1	1	
2	7MD-22850-01-00	FRAME COMP 2	1	
3	95811-06012-00	BOLT, FLANGE (95801-06012)	4	
4	7LV-11011-10-00	BRACKET, ENGINE 1	1	
5	7LV-11012-00-00	BRACKET, ENGINE 2	1	
6	7LR-22891-00-00	INSULATOR, MOUNTING	4	
7	95811-10020-00	BOLT, FLANGE	4	
8	95701-10500-00	NUT, FLANGE	8	
9	7MC-11119-00-00	HANGER, ENGINE	1	
10	7MC-1112F-00-00	PLATE 2	2	
11	95811-08035-00	BOLT, FLANGE	2	
12	7MC-1111F-00-00	PLATE	2	
13	7FL-2415A-10-00	LABEL, CAUTION	1	
14	7MD-24110-01-NJ	FUEL TANK	1	FARAWAY BLU
15	7V5-24610-01-00	CAP ASSEMBLY	1	
16	630-24167-00-00	STRAINER	1	
17	73A-85710-01-00	FUEL LVL GAUGE ASSEMBLY	1	
18	7MB-24500-00-00	FUEL COCK ASSEMBLY	1	
19	7J3-24521-00-00	. CUP, FILTER	1	
20	4X8-24565-00-00	. GASKET	1	
21	2W6-24512-00-00	. GASKET	1	
22	90149-06011-00	SCREW, SPEC'L SHAPE	2	
23	90202-05187-00	WASHER, PLATE	2	
24	90480-12475-00	GROMMET	2	
25	90387-08747-00	COLLAR	2	
26	97011-06020-00	BOLT	2	
27	90201-06067-00	WASHER, PLATE	2	
28	7LG-24181-00-00	DAMPER, LOCATING 1	2	
29	7LV-24311-00-00	PIPE, FUEL 1	1	

CONTINUED ON NEXT FRAME ►

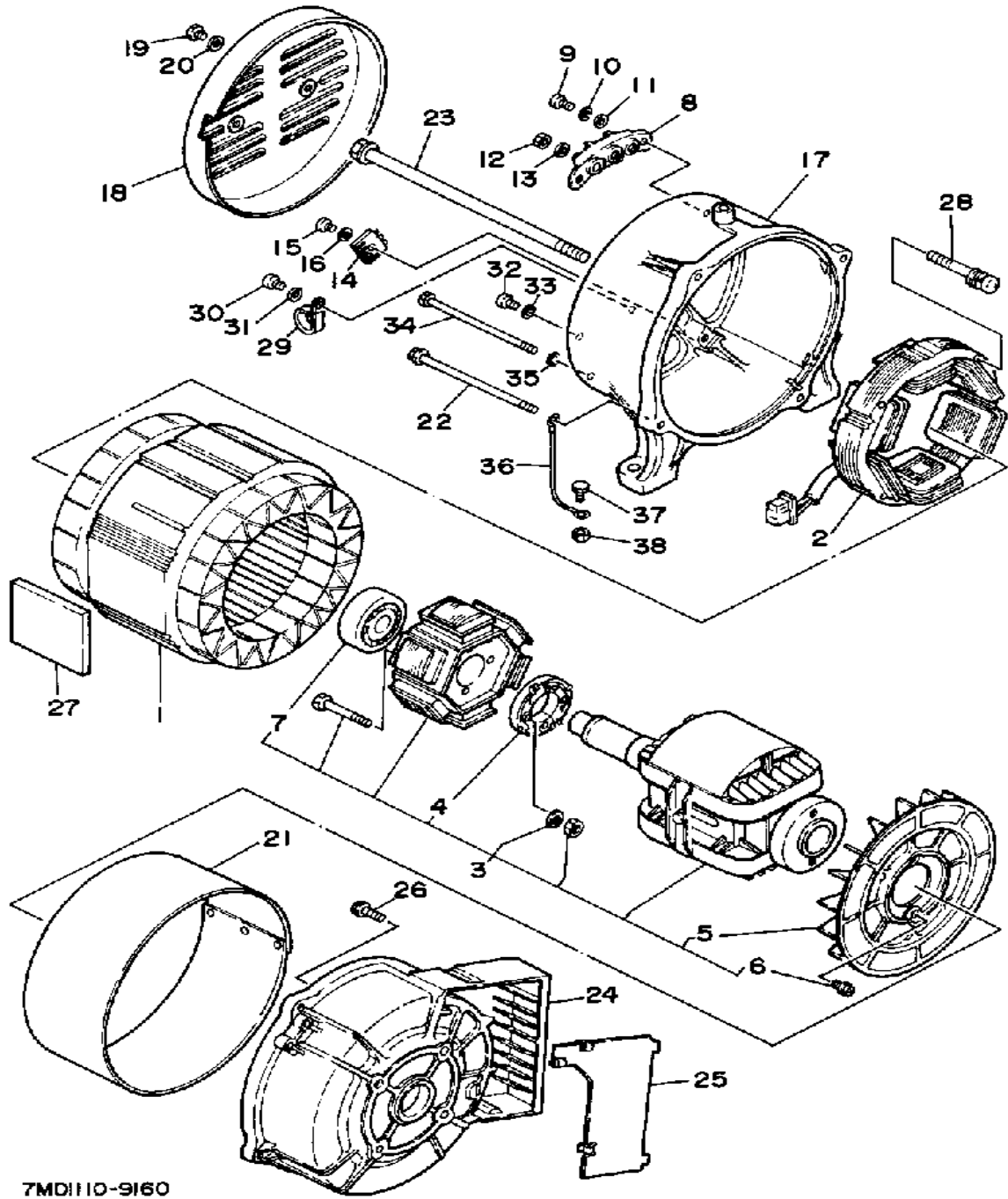
# FRAME - FUEL TANK 1



7MD1110-9110

Ref. No.	Part Number	Description	Qty	Remarks
30	90467-09006-00	CLIP, SCISSOR .....	2	
31	7ME-24161-00-00	EMBLEM 1 (YG500D) .....	1	
32	73T-24162-10-00	EMBLEM 2 .....	1	
33	7FL-2415A-10-00	LABEL, CAUTION .....	1	
34	7LV-28100-00-00	TOOL KIT .....	1	

# GENERATOR 1



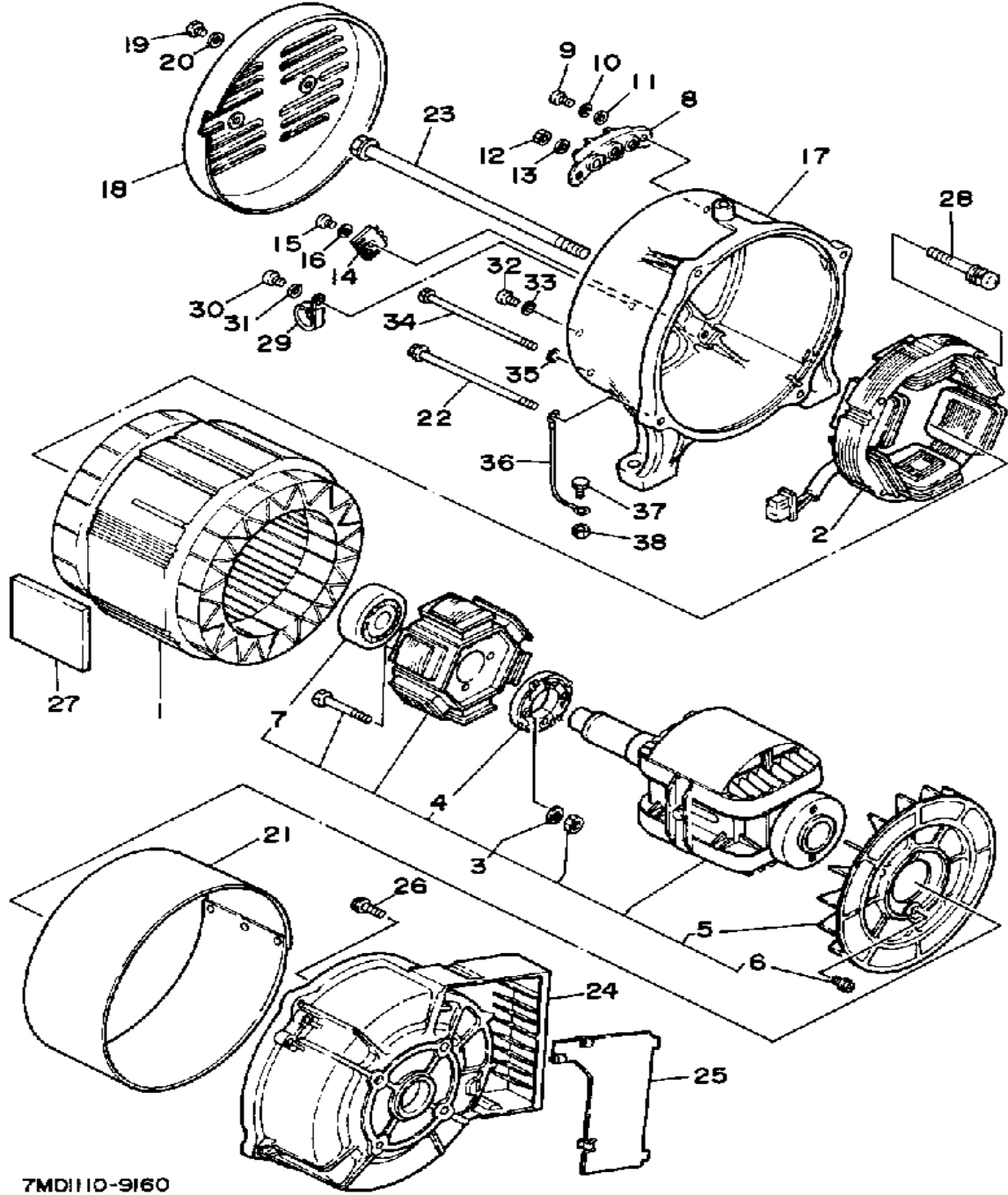
7MD110-9160

Ref. No.	Part Number	Description	Qty	Remarks
1	7MF-87150-90-00	STATOR ASSEMBLY (120/240V 60HZ)	1	
2	73A-8712A-01-00	STATOR EXCITER ASSEMBLY	1	
3	7MF-87160-00-00	ROTOR ASSEMBLY	1	
4	7LV-87115-00-00	. RECTIFIER ASSEMBLY	1	
5	7LR-87172-00-00	. FAN, GENERATOR	1	
6	90159-06056-00	. SCREW, WITH WASHER	2	
7	93306-37202-00	. BEARING	1	
8	7LR-87220-00-00	TERMINAL ASSEMBLY	1	
9	98580-05016-00	SCREW, PAN HEAD	2	
10	92990-05100-00	WASHER, SPRING	2	
11	92901-05600-00	WASHER, PLATE	2	
12	95311-05700-00	NUT	3	
13	92990-05100-00	WASHER, SPRING	3	
14	7H5-87105-01-00	RECTIFIER COMP	1	
15	98580-05016-00	SCREW, PAN HEAD	1	
16	92901-05600-00	WASHER, PLATE	1	
17	7LV-87131-00-00	FRAME, REAR	1	
18	7LR-87174-00-NJ	COVER, REAR END	1	FARAWAY BLU
19	97011-06010-00	BOLT (97002-06010)	2	
20	92901-06600-00	WASHER	2	
21	7MF-87153-00-00	COVER, STATOR	1	
22	95822-06120-00	BOLT, FLANGE	4	
23	7MF-81152-00-00	BOLT	1	
24	7LR-87121-00-00	FRAME, FRONT	1	
25	7LR-8718K-00-00	COVER, FRONT	1	
26	95821-08020-00	BOLT, FLANGE (95811-08020)	4	
27	7MF-87159-00-00	SEAL, STATOR	4	
28	90159-05091-00	SCREW, WITH WASHER	4	

CONTINUED ON NEXT FRAME ►

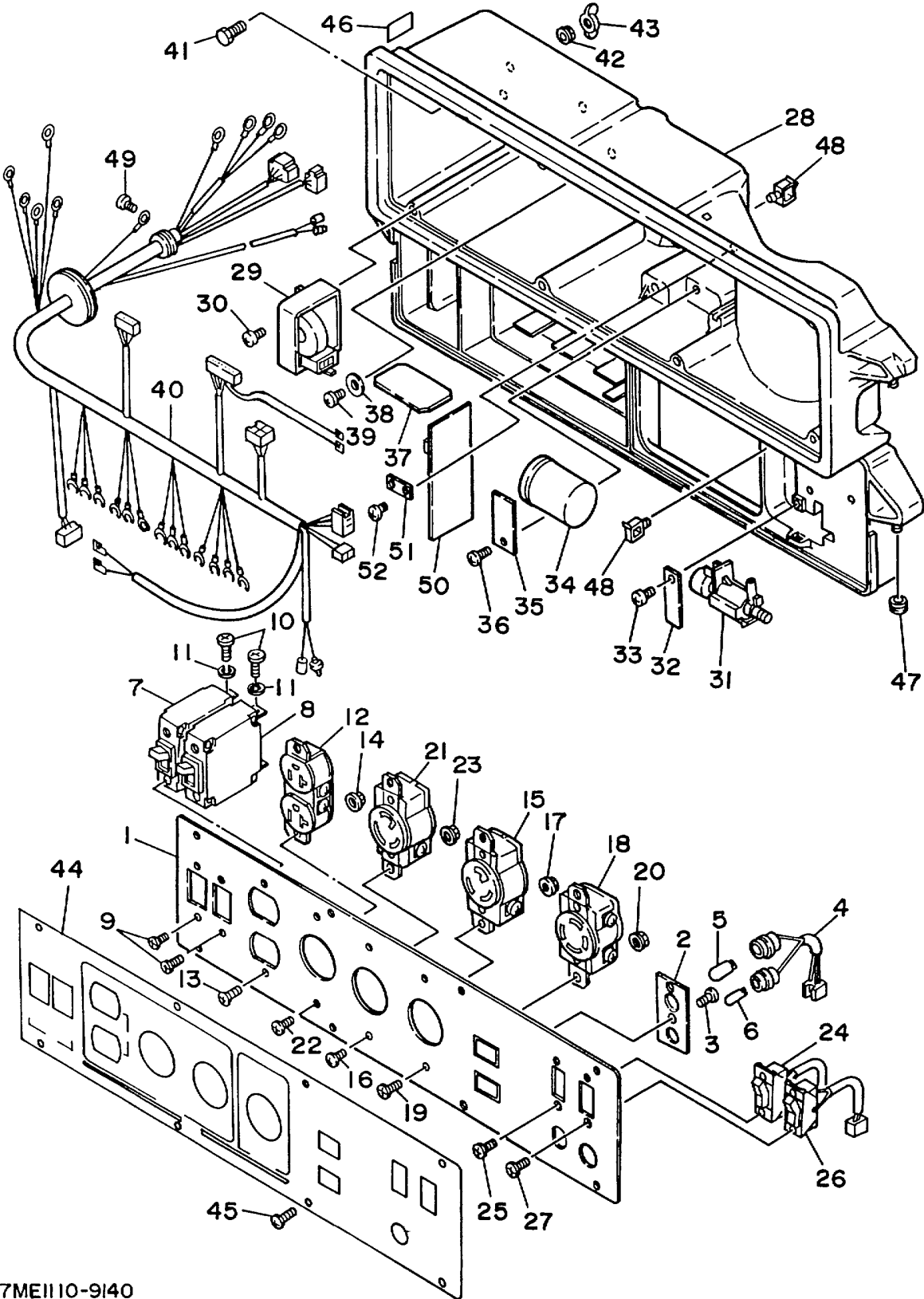


# GENERATOR 1



Ref. No.	Part Number	Description	Qty	Remarks
29	90462-05061-00	CLAMP	1	
30	98580-05010-00	SCREW, PAN HEAD	1	
31	92901-05600-0	UNAVAILABLE IN PRICE BOOK	1	
32	98580-05010-00	SCREW, PAN HEAD	1	
33	92901-05600-00	WASHER, PLATE	1	
34	97022-06125-00	BOLT (7LU)	2	
35	92990-06600-00	WASHER, PLATE	2	
36	7LG-87139-00-00	LEAD WIRE ASSEMBLY 2	1	
37	95811-06010-00	BOLT, FLANGE	1	
38	95701-06500-00	NUT, FLANGE	1	

# CONTROL BOX 1

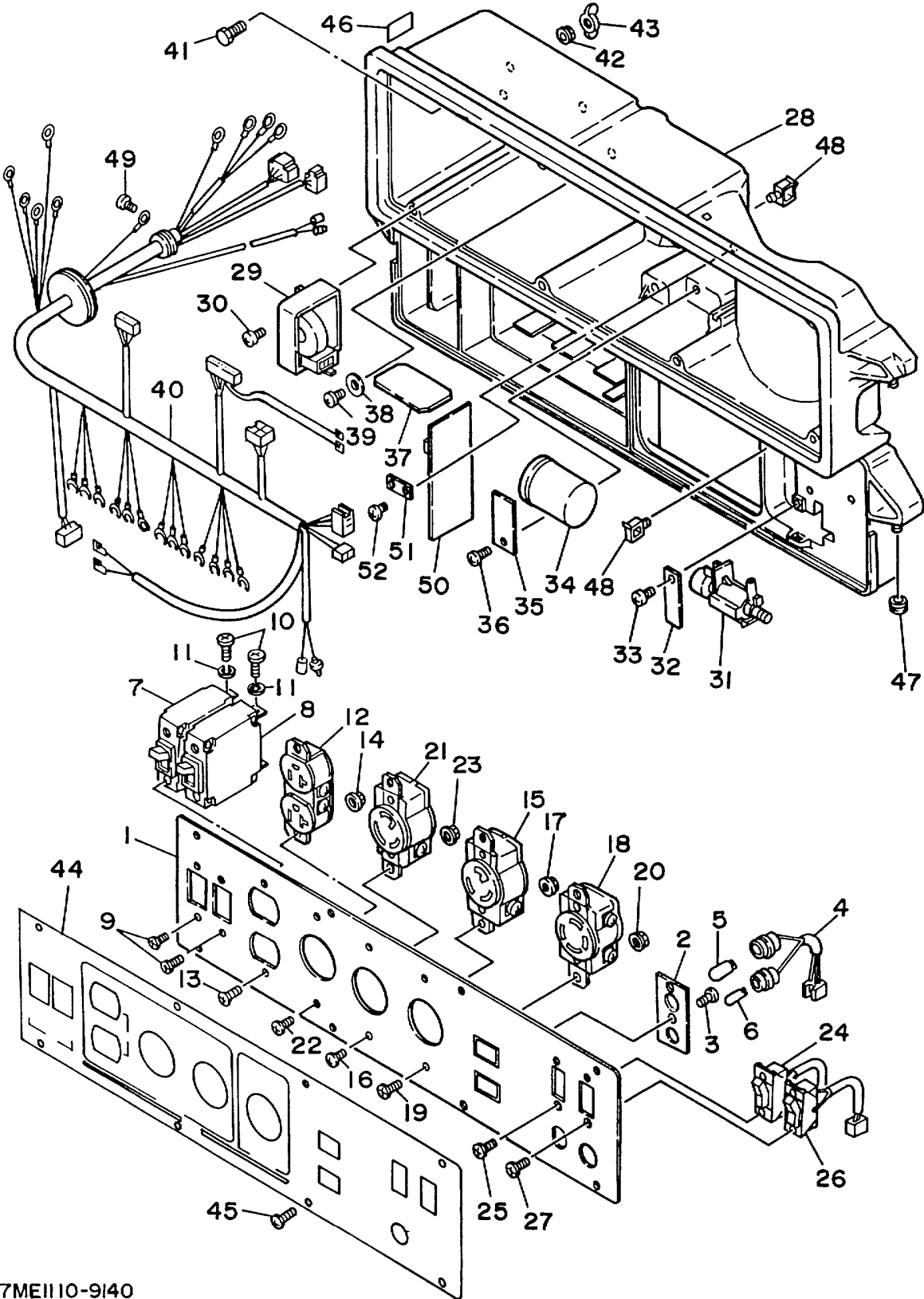


Ref. No.	Part Number	Description	Qty	Remarks
1	7MC-87211-90-00	BOX, CONTROL	1	
2	7LG-87253-00-00	HOLDER, SOCKET	1	
3	97780-30110-00	SCREW, TAPPING	1	
4	7MB-83520-90-00	SOCKET CORD ASSEMBLY	1	
5	7LG-87254-00-00	BULB, PILOT LAMP	1	
6	7LG-83531-00-00	BULB, PILOT	1	
7	7MF-87204-00-00	BREAKER (35.8A)	1	
8	7MF-87204-20-00	BREAKER (17.9A)	1	
9	98702-04008-00	SCREW, FLAT HEAD	4	
10	98580-06012-00	SCREW, PAN HEAD (92501-06012-00)	4	
11	92995-06100-00	WASHER, SPRING (92990-06100-00)	4	
12	73H-87221-90-00	CONSENT 1 (P&S 5-20R)	1	UR
13	98701-04012-00	SCREW, FLAT HEAD	2	
14	95701-04500-00	NUT, FLANGE	2	
15	7LR-87221-90-00	CONSENT 1 (WCF63130B02)	1	MATSUSHITA
16	98701-04012-00	SCREW, FLAT HEAD	2	
17	95701-04500-00	NUT, FLANGE	2	
18	7LR-87222-90-00	CONCENT 2 (WCF63420B02)	1	MATSUSHITA
19	98701-04012-00	SCREW, FLAT HEAD	2	
20	95701-04500-00	NUT, FLANGE	2	
21	7LL-87222-90-00	CONSENT 2 (WCF6312002)	2	MATSUSHITA
22	98701-04012-00	SCREW, FLAT HEAD	1	
23	95701-04500-00	NUT, FLANGE	2	
24	78G-82550-00-00	STOP SWITCH ASSEMBLY	1	
25	98702-03006-00	SCREW, FLAT HEAD	2	
26	7LR-82567-90-00	SWITCH, THROTTLE	1	
27	98702-03006-00	SCREW, FLAT HEAD	2	

CONTINUED ON NEXT FRAME ►

7ME110-9140

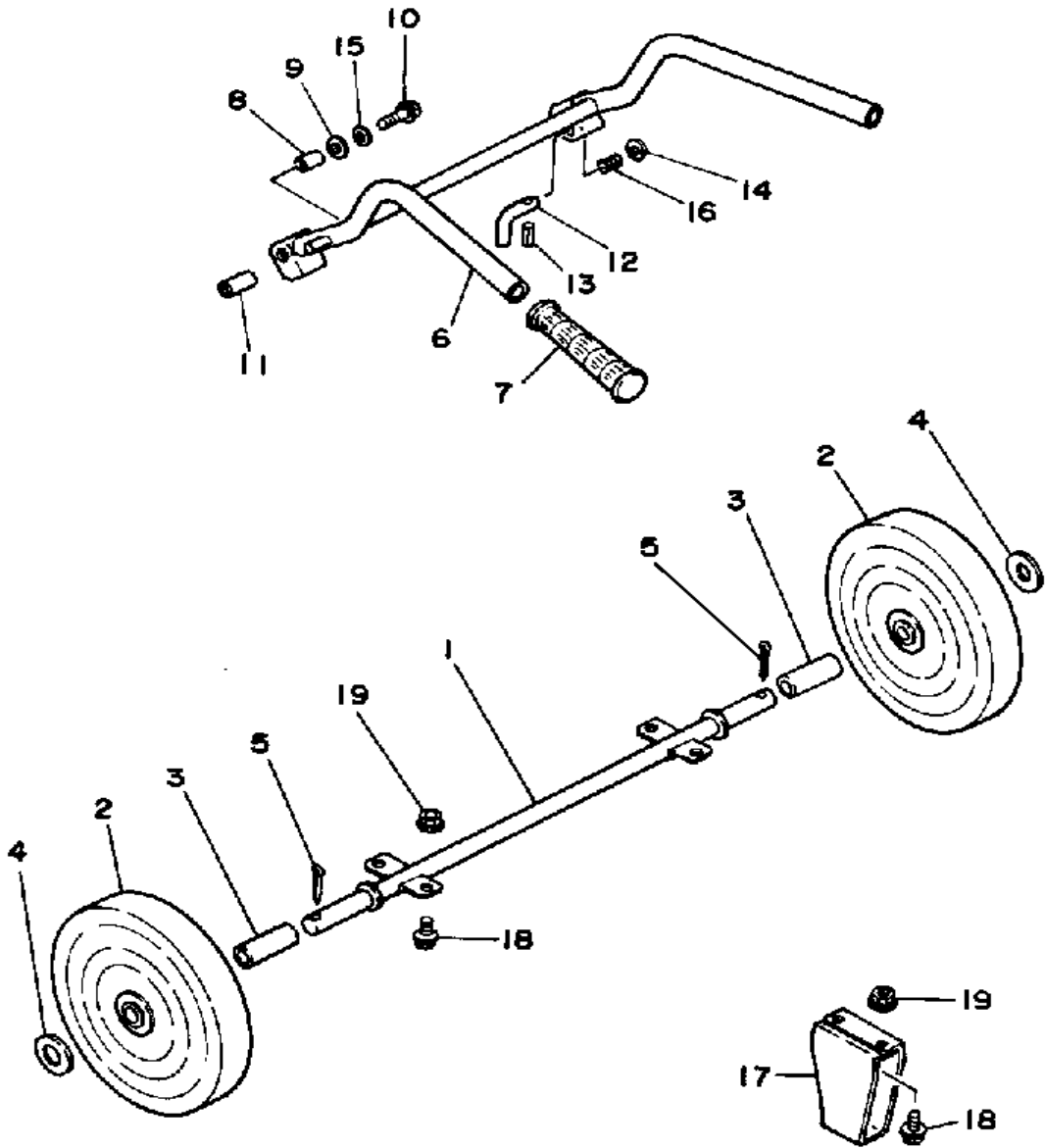
# CONTROL BOX 1



Ref. No.	Part Number	Description	Qty	Remarks
28	7LV-87213-00-00	COVER CONTROL BOX .....	1	
29	7AV-87286-00-00	SLOW DOWN UNIT ASSEMBLY	1	
30	97702-60120-00	SCREW, TAPPING .....	1	
31	7LR-86120-90-00	SOLENOID VALVE ASSEMBLY	1	
32	7LR-86112-00-00	STAY, SOLENOID .....	1	
33	97780-50612-00	SCREW, TAPPING .....	1	
34	78R-87107-00-00	CONDENSER ASSEMBLY .....	1	
35	7LR-87216-00-00	HOLDER, CONDENSER .....	1	
36	97780-50612-00	SCREW, TAPPING .....	1	
37	7LG-85690-00-00	OIL WARNING UNIT .....	1	
38	90201-03013-00	WASHER, PLATE .....	1	
39	97780-30110-00	SCREW, TAPPING .....	1	
40	7MD-87226-70-00	WIRE HARNESS .....	1	
41	97011-06020-00	BOLT .....	1	
42	95701-06500-00	NUT, FLANGE .....	1	
43	90175-06008-00	NUT, WING .....	1	
44	7MC-87217-90-00	PLATE, CONTROL .....	1	
45	97706-40516-00	SCREW, TAPPING .....	8	
46	7H6-87261-00-00	EMBLEM 1 .....	1	
47	90480-01401-00	GROMMET .....	4	
48	90464-16025-00	CLAMP .....	1	
49	98580-05010-00	SCREW, PAN HEAD .....	1	
50	7LU-8722A-00-00	VOLT.REGULATOR ASSEMBLY	1	
51	7LG-2631G-00-00	PLATE .....	1	
52	97780-30110-00	SCREW, TAPPING .....	1	

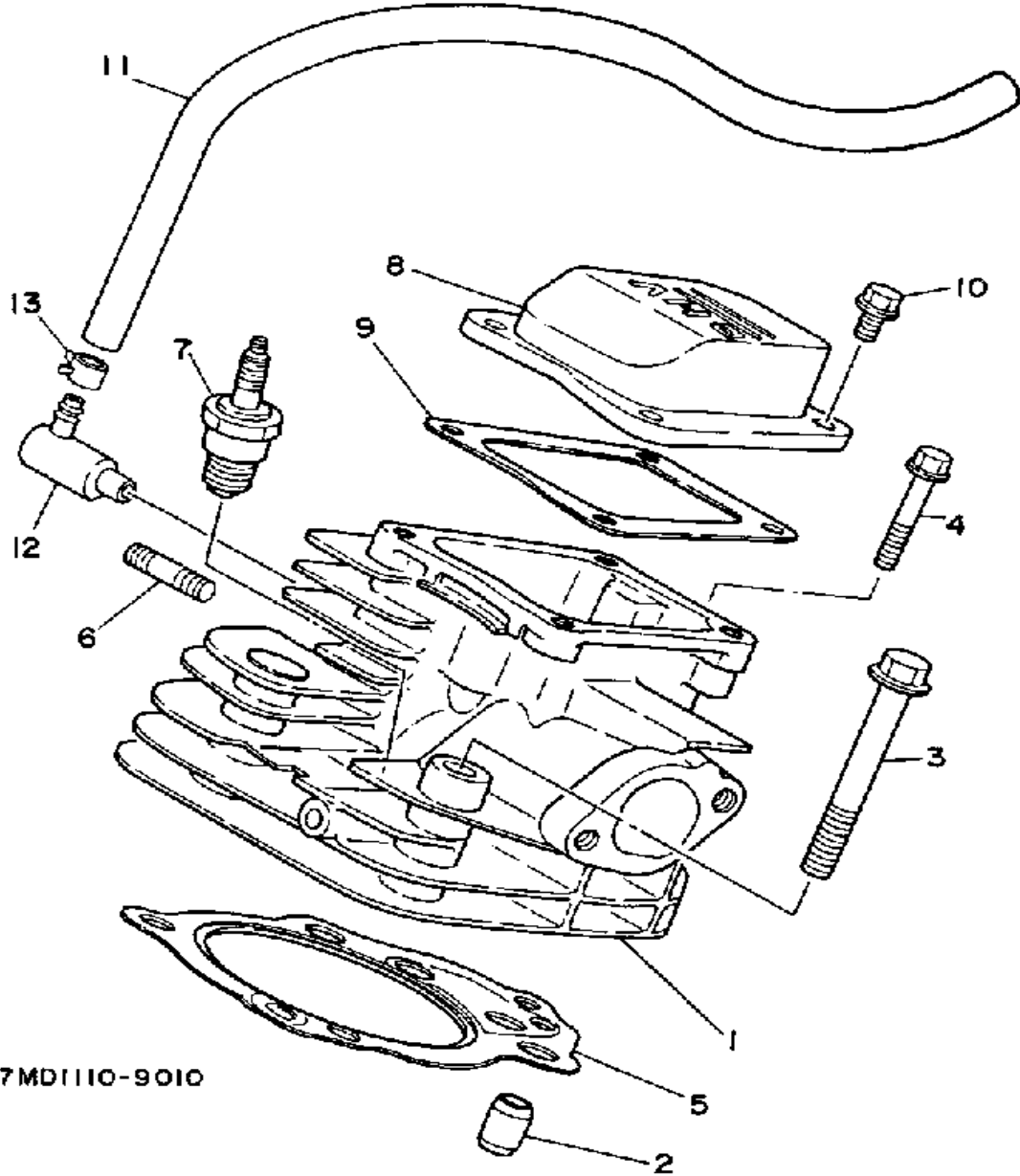
7ME110-9140

# FRONT WHEEL OPTIONAL PARTS 1



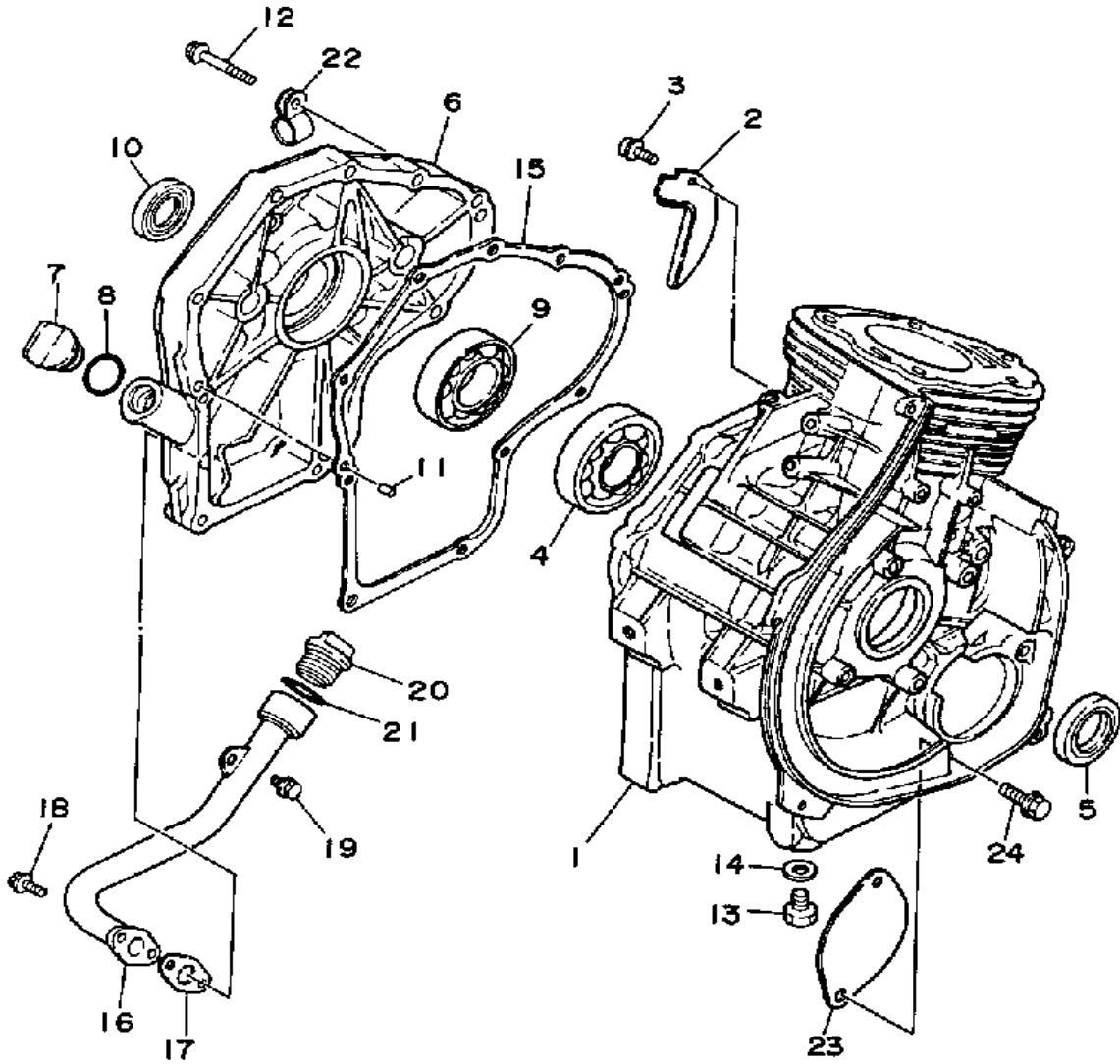
Ref. No.	Part Number	Description	Qty	Remarks
1	7LR-25381-00-00	AXLE, WHEEL .....	1	
2	73A-22846-10-00	CASTER 2 .....	2	
3	73A-25322-10-00	INSERT, SHAFT .....	2	
4	92901-20600-00	WASHER .....	2	
5	91401-30040-00	PIN, COTTER .....	2	
6	7LR-26100-00-00	HANDLE ASSEMBLY .....	1	
7	801-26241-01-00	GRIP LH (L.H.) .....	2	
8	90387-080K6-00	COLLAR .....	2	
9	90206-12052-00	WASHER, WAVE .....	2	
10	95811-08045-00	BOLT, FLANGE .....	2	
11	90445-162A0-00	HOSE .....	2	
12	73A-26112-10-00	BAR, HANDLE .....	1	
13	91609-30016-00	PIN, SPRING .....	1	
14	90201-08624-00	WASHER, PLATE .....	1	
15	90201-08730-00	WASHER, PLATE .....	2	
16	90501-10264-00	SPRING, COMPRESSION .....	1	
17	7LR-27111-00-T2	STAND, MAIN .....	2	LW GLOSS GRY
18	95811-08016-00	BOLT, FLANGE .....	8	
19	95701-08500-00	NUT, FLANGE (95702-08500) ..	8	

# CYLINDER 2



Ref. No.	Part Number	Description	Qty	Remarks
1	7LV-11102-09-00	CYLINDER HEAD ASSEMBLY (7LV-11102-00)	1	
2	99510-12016-00	PIN, DOWEL	2	
3	95811-10070-00	BOLT, FLANGE	4	
4	95811-06045-00	BOLT, FLANGE	1	
5	7KY-11181-01-00	GASKET, CYLINDER. HEAD	1	
6	95622-08625-00	BOLT, STUD	2	
7	NGK-BPR5E-S0-00	NGK BPR5ES 4PK	1	
8	7KY-11191-00-00	COVER, CYLINDER.HEAD 1	1	
9	7KY-11193-00-00	GASKET, HD.COVER 1	1	
10	95811-06012-00	BOLT, FLANGE (95801-06012)	4	
11	7LV-15373-01-00	PIPE, BREATHER	1	
12	7KY-15148-00-00	NOZZLE 2	1	
13	90467-13064-00	CLIP	1	

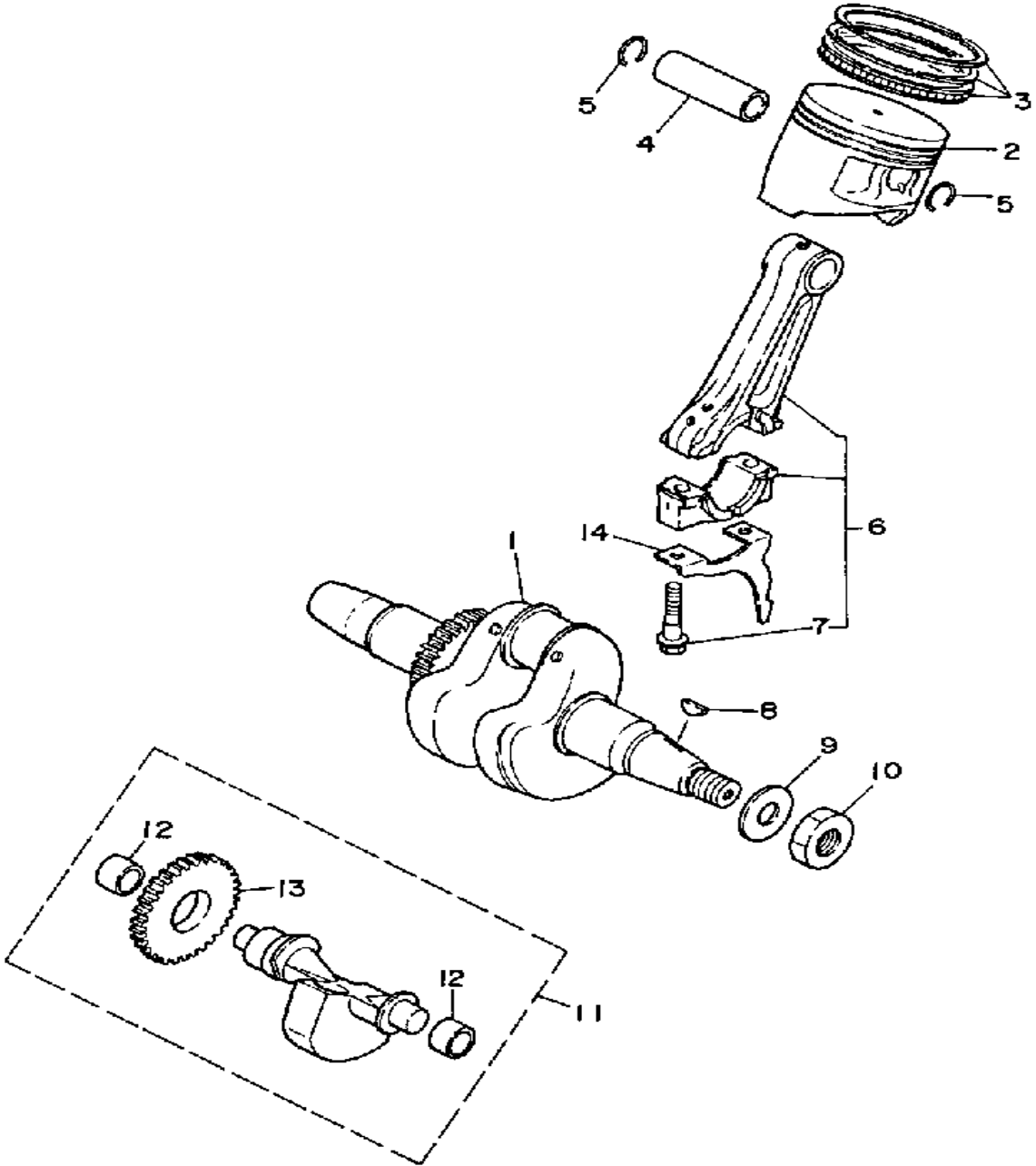
# CRANKCASE 2



7MD1110-9100

Ref. No.	Part Number	Description	Qty	Remarks
1	7LV-15111-01-00	CRANKCASE 1 (7LV-15111-00)	1	
2	7KY-15123-00-00	PLATE, BUFFLE 1	1	
3	90159-05117-00	SCREW, W/WASHER (J38)	2	
4	93306-30713-00	BEARING	1	
5	93102-35191-00	OIL SEAL	1	
6	7IV-15410-00-00	. UNAVAILABLE IN PRICE BOOK	1	
	7LV-15361-00-	. UNAVAILABLE IN PRICE BOOK	1	
	7LV-15363-01-00	. PLUG, OIL	1	
	99999-01971-00	UNAVAILABLE IN PRICE BOOK (7LV-15411-00)	1	
7	796-15363-01-00	PLUG, OIL	1	
8	93210-22344-00	O-RING	1	
9	93306-20716-00	BEARING (93306-20714)	1	
10	93102-35319-00	OIL SEAL, SD-TYPE	1	
11	93608-12063-00	PIN, DOWEL	2	
12	95811-08045-00	BOLT, FLANGE	10	
13	90340-12097-00	PLUG, STRAIGHT SCRW	1	
14	90430-12199-00	GASKET	1	
15	7KY-15451-00-00	GASKET, CRCS COVER	1	
16	7LV-15112-00-00	PIPE, OIL	1	
17	7LV-15453-00-00	GASKET, CARB COVER	1	
18	95811-06016-00	BOLT, FLANGE (95801-06016)	2	
19	95811-06012-00	BOLT, FLANGE (95801-06012)	1	
20	796-15363-01-00	PLUG, OIL	1	
21	93210-22344-00	O-RING	1	
22	90461-08073-00	CLAMP	1	
23	7LV-15113-10-00	PLATE	1	YG600D
24	95811-08035-00	BOLT, FLANGE	2	

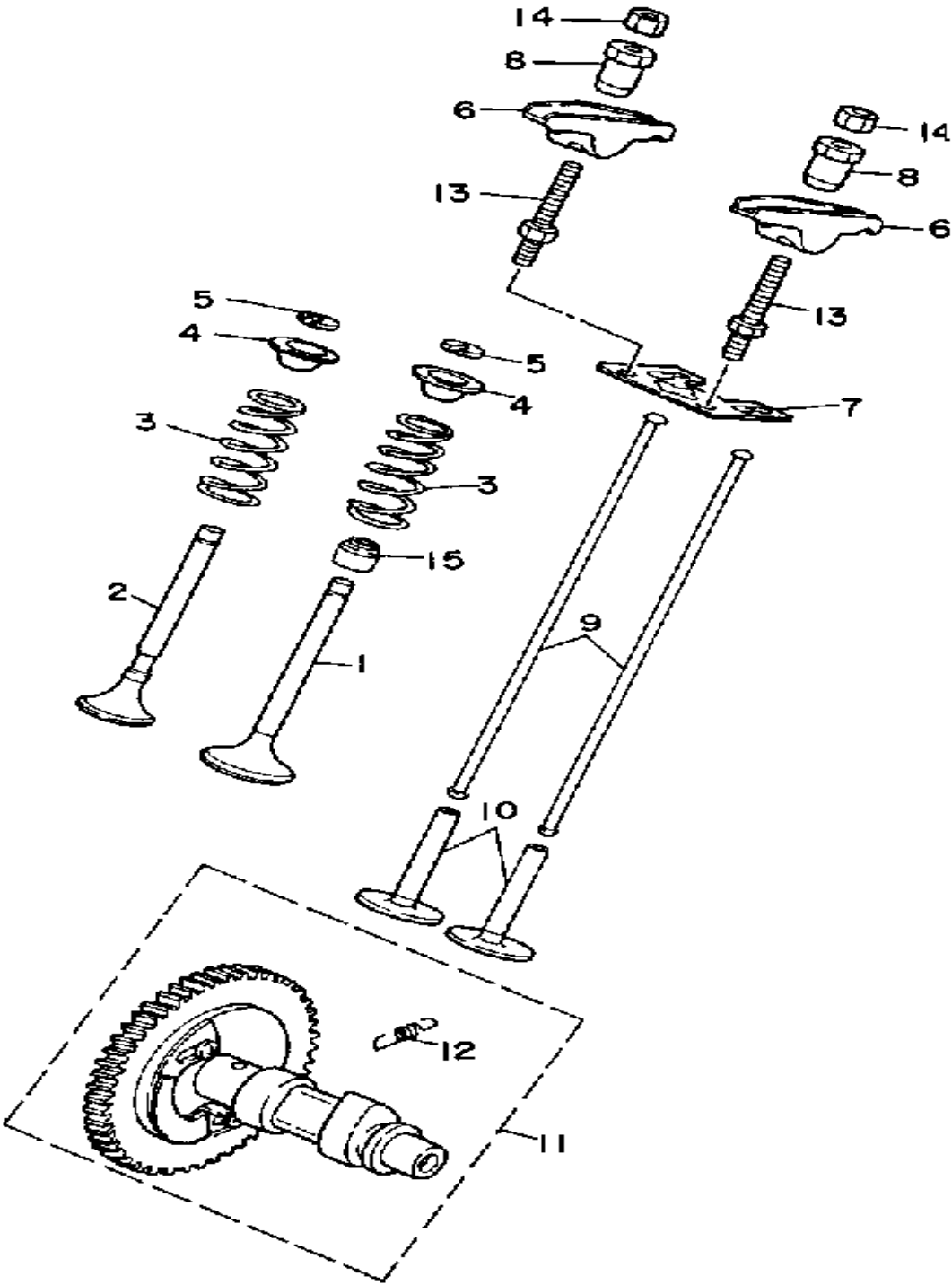
# CRANKSHAFT - PISTON 2



Ref. No.	Part Number	Description	Qty	Remarks
1	7LV-11400-00-00	CRANKSHAFT ASSEMBLY	1	
2	JA1-11631-00-A0	PISTON STD	1	STD
	JA1-11635-00-00	PISTON 1ST O/S (0.25MM O/S)	1	AP
	JA1-11636-00-00	PISTON 2ND O/S (0.50MM O/S)	1	AP
3	7LV-11610-00-00	PISTON RING, STD	1	STD
	7LV-11610-10-00	PISTON RING, 1ST OS (1ST O/S)	1	AP
	7LV-11610-20-00	PISTON RING, 2ND OS (2ND O/S)	1	AP
4	7KY-11633-01-00	PIN, PISTON	1	
5	93450-22027-00	CIRCLIP	2	
6	7KY-11650-01-00	CONNECTING ROD ASSEMBLY	1	
7	7KY-11654-00-00	. BOLT, CON ROD	2	
8	90280-16053-00	KEY, WOODRUFF (90280-05048-00)	1	
9	90201-18620-00	WASHER, PLATE	1	
10	90170-18332-00	NUT, HEXAGON	1	
11	7KY-11500-00-00	BALANCER ASSEMBLY	1	
12	90387-172U1-00	. COLLAR	2	
13	7KY-11531-00-00	. GEAR, BALANCE WT	1	
14	7KY-11657-01-00	SPLASHER, OIL	1	

MD1110-9020

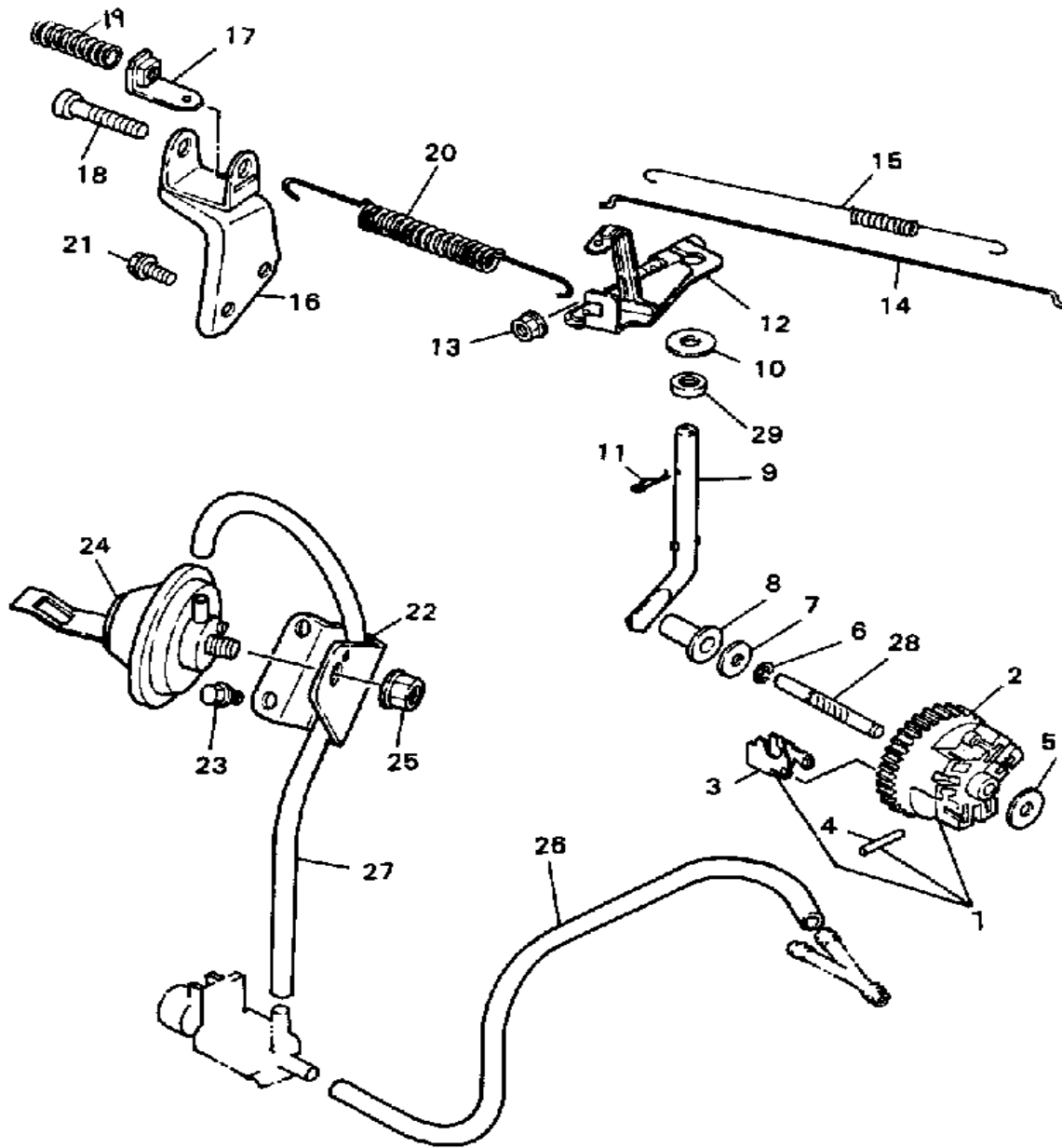
# CAMSHAFT - VALVE



Ref. No.	Part Number	Description	Qty	Remarks
1	JA1-12111-01-00	VALVE, INTAKE .....	1	
2	JA1-12121-00-00	VALVE, EXHAUST .....	1	
3	90501-264A9-00	SPRING, COMPRESSION .....	2	
4	J38-12117-01-00	RETAINER, VALVE SPR .....	2	
5	J38-12118-00-00	COTTER, VALVE .....	2	
6	7KY-12151-00-00	ARM, VALVE ROCKER .....	2	
7	7KY-12155-00-00	GUIDE, PUSH ROD .....	1	
8	7FK-12165-00-00	PIVOT, ROCKER ARM .....	2	
9	7KY-12154-00-00	ROD, VALVE PUSH .....	2	
10	7KY-12153-00-00	LIFTER, VALVE .....	2	
11	JA1-12170-02-00	CAMSHAFT ASSEMBLY 1 (JA1-12170-01) .....	1	
12	90507-03048-00	. SPRING, TENSION .....	1	
13	7FK-12157-00-00	NUT, LOCK .....	2	
14	7FK-12158-00-00	NUT, LOCK .....	2	
15	5H0-12119-00-00	SEAL, VALVE STEM .....	1	



# GOVERNOR 2

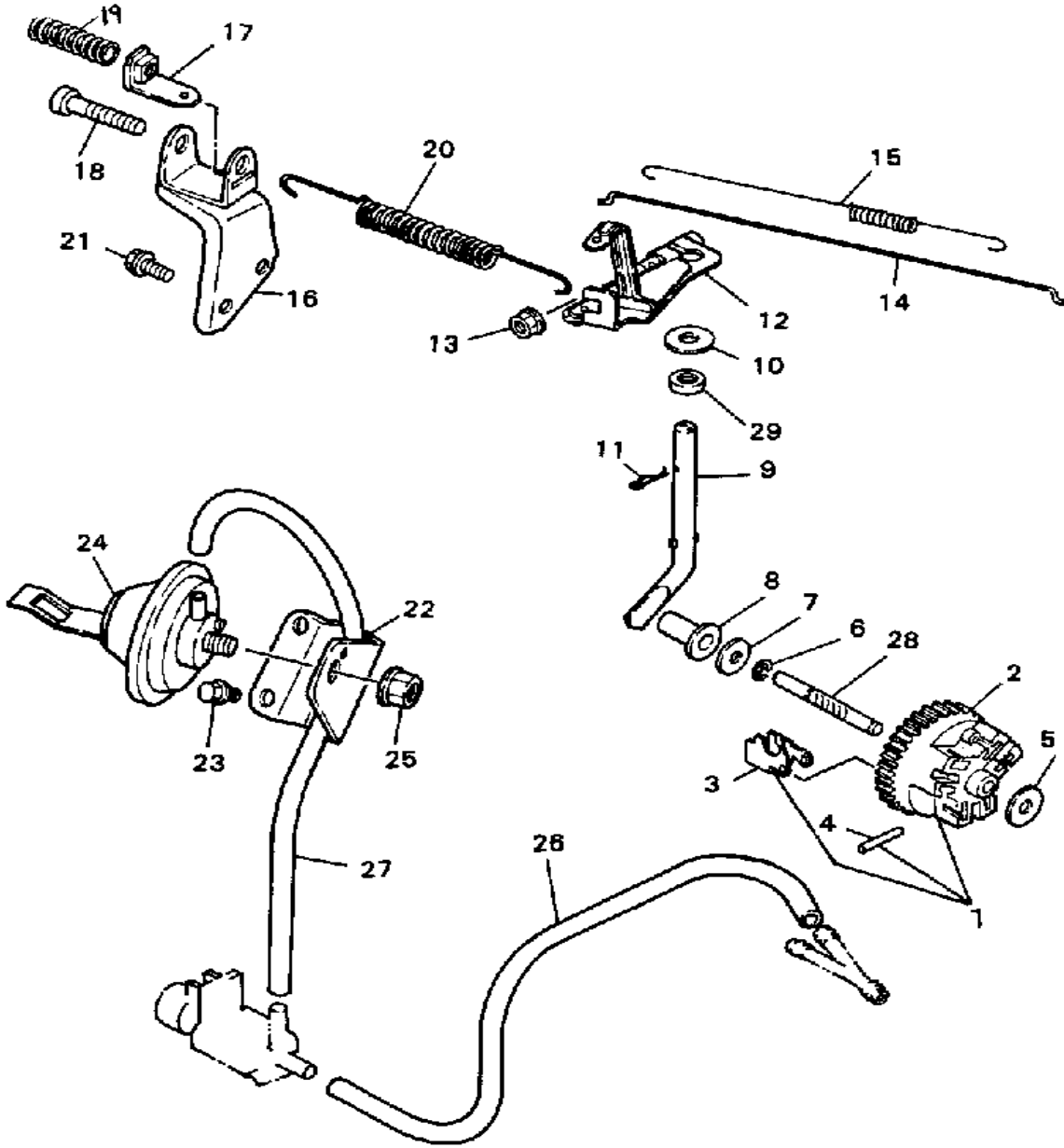


7MD1110-9030

Ref. No.	Part Number	Description	Qty	Remarks
1	7LV-11970-00-00	FLYWEIGHT GEAR ASSEMBLY	1	
2	7KY-11972-01-00	. GEAR, FLYWGHT SHAFT . . .	1	
3	7KY-11913-00-00	. WEIGHT . . . . .	3	
4	7FK-11914-00-00	. SHAFT, WEIGHT . . . . .	3	
5	90201-062P7-00	WASHER, PLATE . . . . .	1	
6	93440-06107-00	CIRCLIP, OUTER . . . . .	1	
7	90201-067L0-00	WASHER, PLATE . . . . .	1	
8	7KY-11917-00-00	COLLAR . . . . .	1	
9	7KY-11922-00-00	FORK, GOVERNOR . . . . .	1	
10	90201-087H6-00	WASHER, PLATE . . . . .	2	
11	90468-12006-00	CLIP . . . . .	1	
12	7LV-11924-00-00	ARM, GOVENOR . . . . .	1	
13	95701-06500-00	NUT, FLANGE . . . . .	1	
14	7LV-11928-00-00	ROD, LINK . . . . .	1	
15	90506-05442-00	SPRING, TENSION . . . . .	1	
16	7LV-11940-00-00	STAY . . . . .	1	
17	7LV-11931-00-00	LEVER . . . . .	1	
18	98580-06035-00	SCREW, PAN HEAD (92501-06035) . . . . .	1	
19	7LV-11925-02-00	. UNAVAILABLE IN PRICE BOOK . . . . .	1	
	7LV-11970-00-00	. FLYWEIGHT GEAR ASSEMBLY . . . . .	1	
	90501-10264-00	SPRING, COMPRESSION . . . . .	1	
20	99999-02046-00	SPRING, GOVERNOR (7LV-11925-00) . . . . .	1	
21	95811-06012-00	BOLT, FLANGE (95801-06012) . . . . .	2	
22	7LV-11998-00-00	BRACKET 1 . . . . .	1	
23	95811-06020-00	BOLT, FLANGE . . . . .	2	
24	7X6-11960-00-00	DIAPHRAGM ASSEMBLY . . . . .	1	

CONTINUED ON NEXT FRAME ►

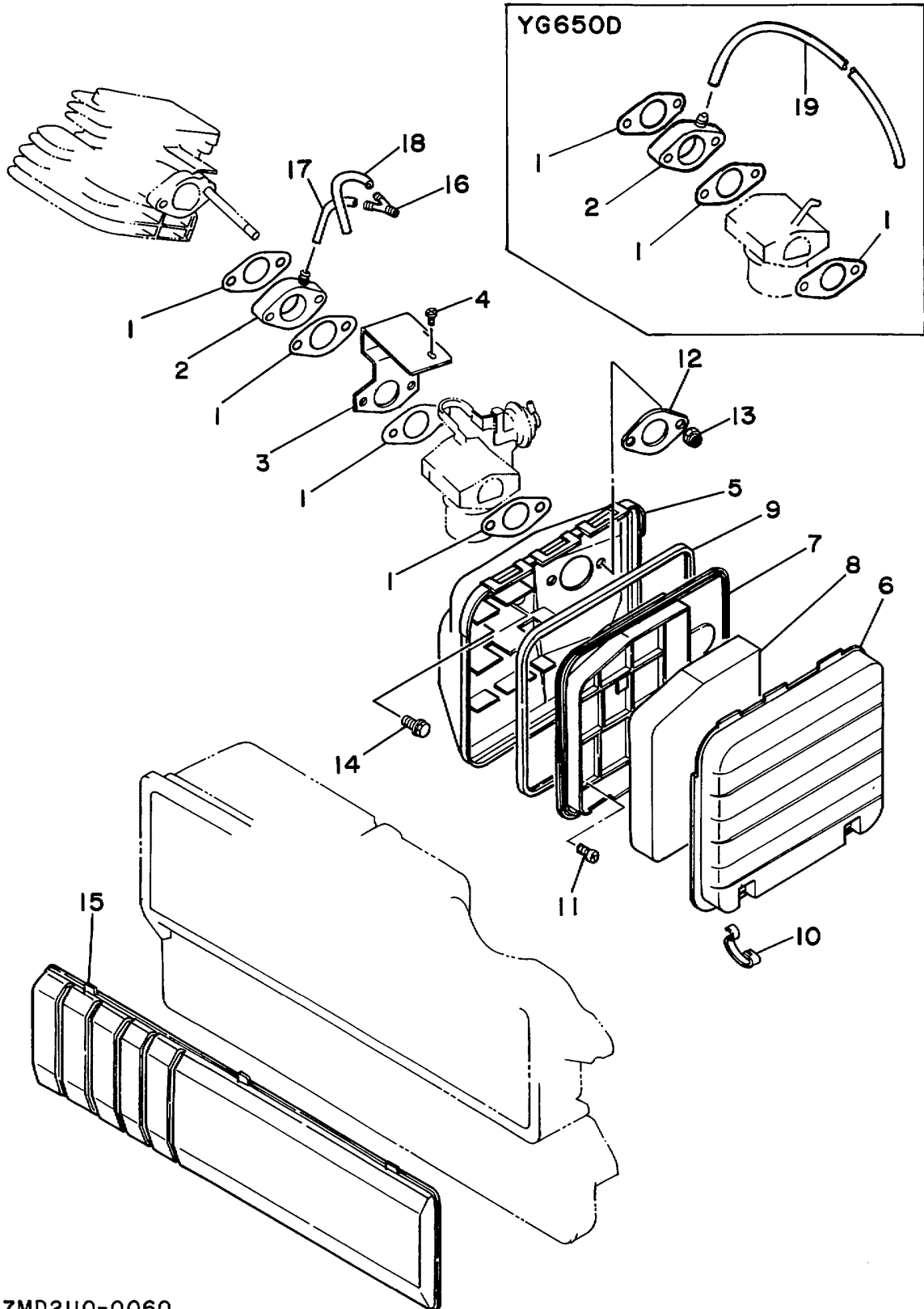
# GOVERNOR 2



Ref. No.	Part Number	Description	Qty	Remarks
25	95701-08500-00	NUT, FLANGE (95702-08500) ..	1	
26	7LV-13545-00-00	HOSE 1 .....	1	
27	7LV-13545-00-00	HOSE 1 .....	1	
28	7LV-11971-00-00	SHAFT, FLYWEIGHT .....	1	
29	93109-08050-00	OIL SEAL .....	1	

7MD1110-9030

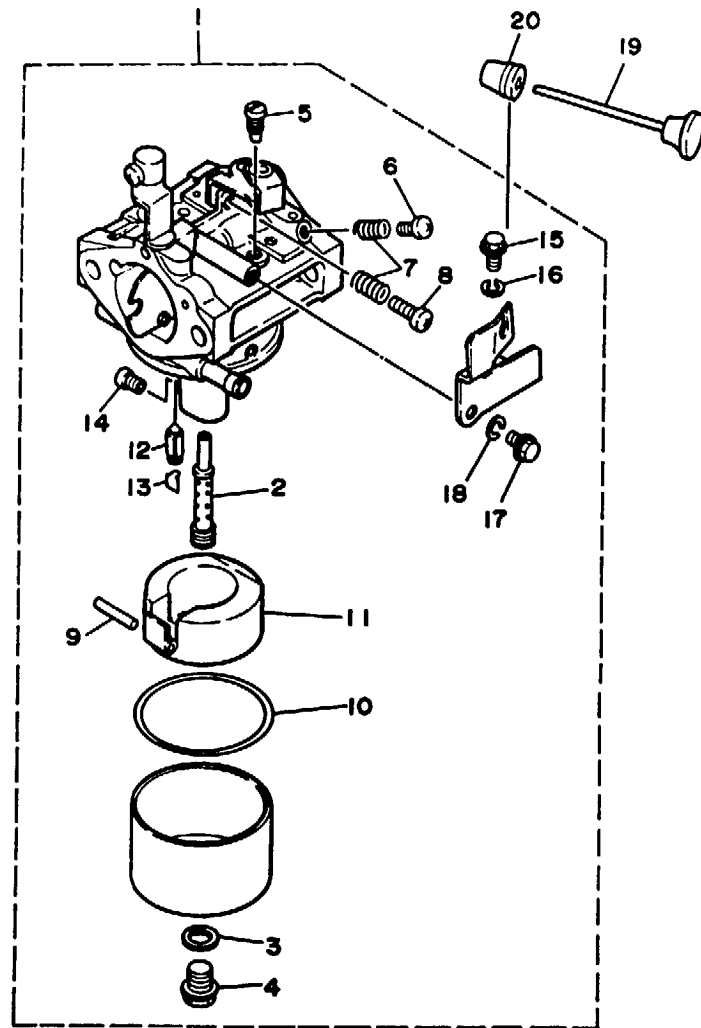
# AIR FILTER 2



Ref. No.	Part Number	Description	Qty	Remarks
1	7LV-13557-00-00	GASKET (YG600D)	3	UR
	7LV-13557-00-00	GASKET (YG600D)	4	UR
2	7LV-13555-00-00	MANIFOLD, INTAKE	1	
3	824-13552-00-00	NOZZLE	1	
4	95811-08050-00	BOLT, FLANGE (95823-08050)	1	
5	95811-08085-00	BOLT, FLANGE	1	
6	7LV-14283-00-00	COVER, CARBURETOR (YG600DE)	1	
7	98901-05008-00	SCREW, BIND	1	
8	7LV-14453-01-00	JOINT, AIR CLNR 1	1	
9	95811-08085-00	BOLT, FLANGE	2	
10	7LV-14463-00-00	JOINT, AIR CLNR 2	1	
11	90468-20128-00	CLIP	1	
12	7LR-14412-01-00	CAP, CLEANER CASE (7LR-14412-00)	1	

7MD2110-0060

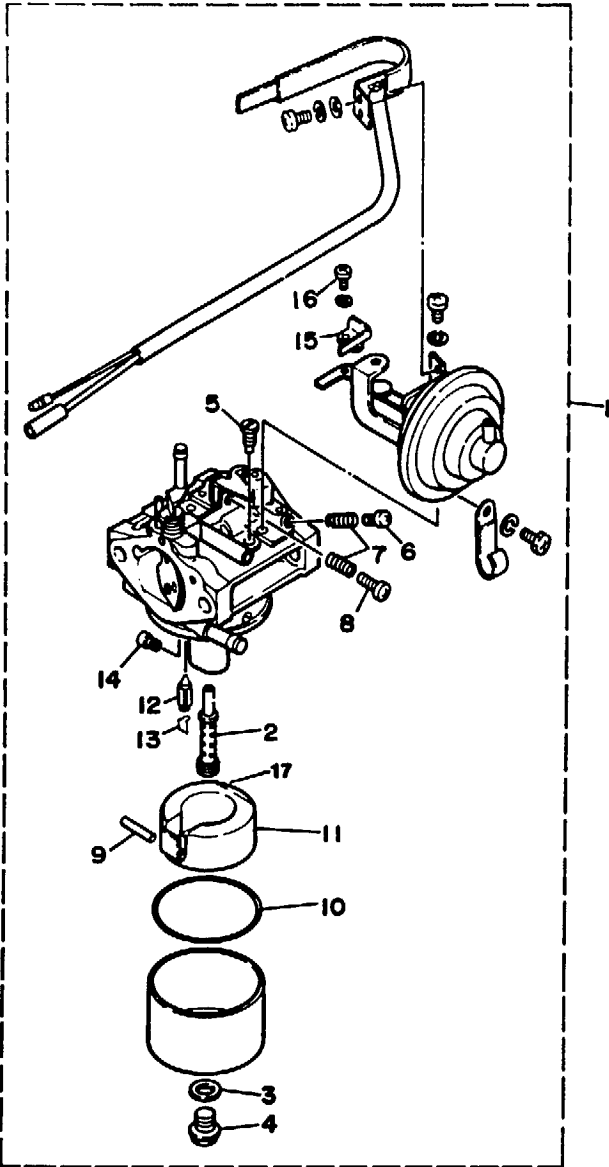
# CARBURETOR (YG600D)



7MD1110-9080

Ref. No.	Part Number	Description	Qty	Remarks
1	7LV-14453-01-00	. JOINT, AIR CLNR 1	1	
	7LW-14101-02-00	. CARBURETOR ASSEMBLY 1	1	
	99999-02042-00	CARB. ASSEMBLY 1 (7LW-14101-00)	1	
2	7LW-14941-53-00	. NOZZLE, MAIN	1	
3	127-14198-00-00	. GASKET	1	
4	75J-14150-01-00	. BOLT, HOLDING	1	
5	7LW-14142-65-00	. JET, PILOT (#65)	1	
6	8M8-14211-00-00	. SCREW, PILOT ADJUSTING	1	
7	73A-14212-00-00	. SPRING, PILOT ADJUSTING	2	
8	7LW-14216-00-00	. SCREW	1	
9	22F-14186-00-00	. PIN, FLOAT	1	
10	796-14186-00-00	. PIN, FLOAT CHAMBER	1	
11	7KY-14185-00-00	. FLOAT	1	
12	7KY-14150-00-00	. NEEDLE ASSEMBLY	1	
13	7EG-14159-00-00	. CLIP	1	
14	7LW-14231-26-00	. JET, MAIN (#130)	1	
15	98501-05010-00	. SCREW, PAN HEAD	1	
16	92990-05100-00	. WASHER, SPRING	1	
17	98580-04008-00	. SCREW, PAN HEAD (98501-04008-00)	1	
18	92901-04100-00	. WASHER, SPRING	1	
19	796-14583-00-00	. LEVER, CHOKE	1	
20	796-14445-00-00	. GROMMET	1	

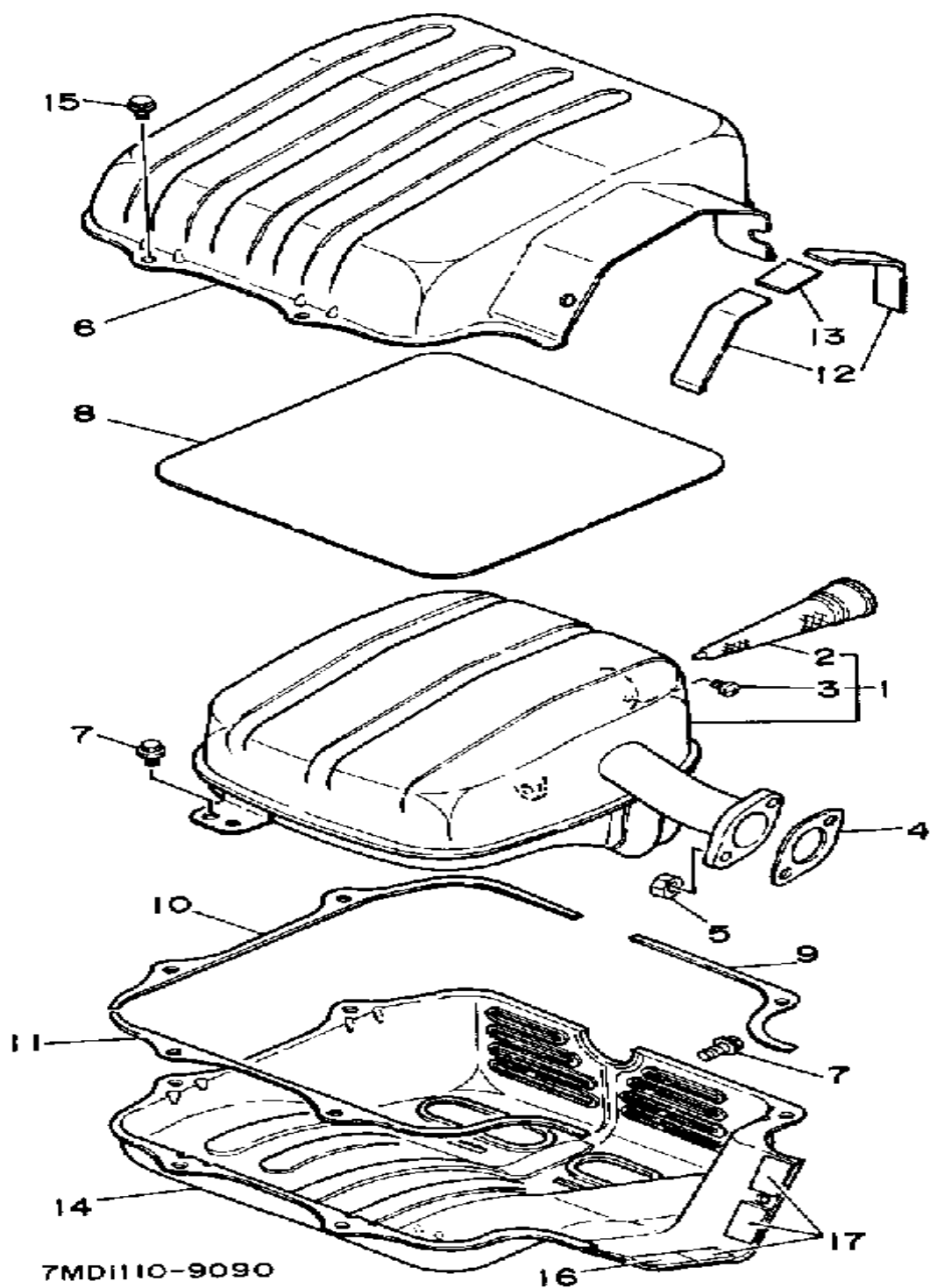
# CARBURETOR (YG600DE)



7MD1110-9070

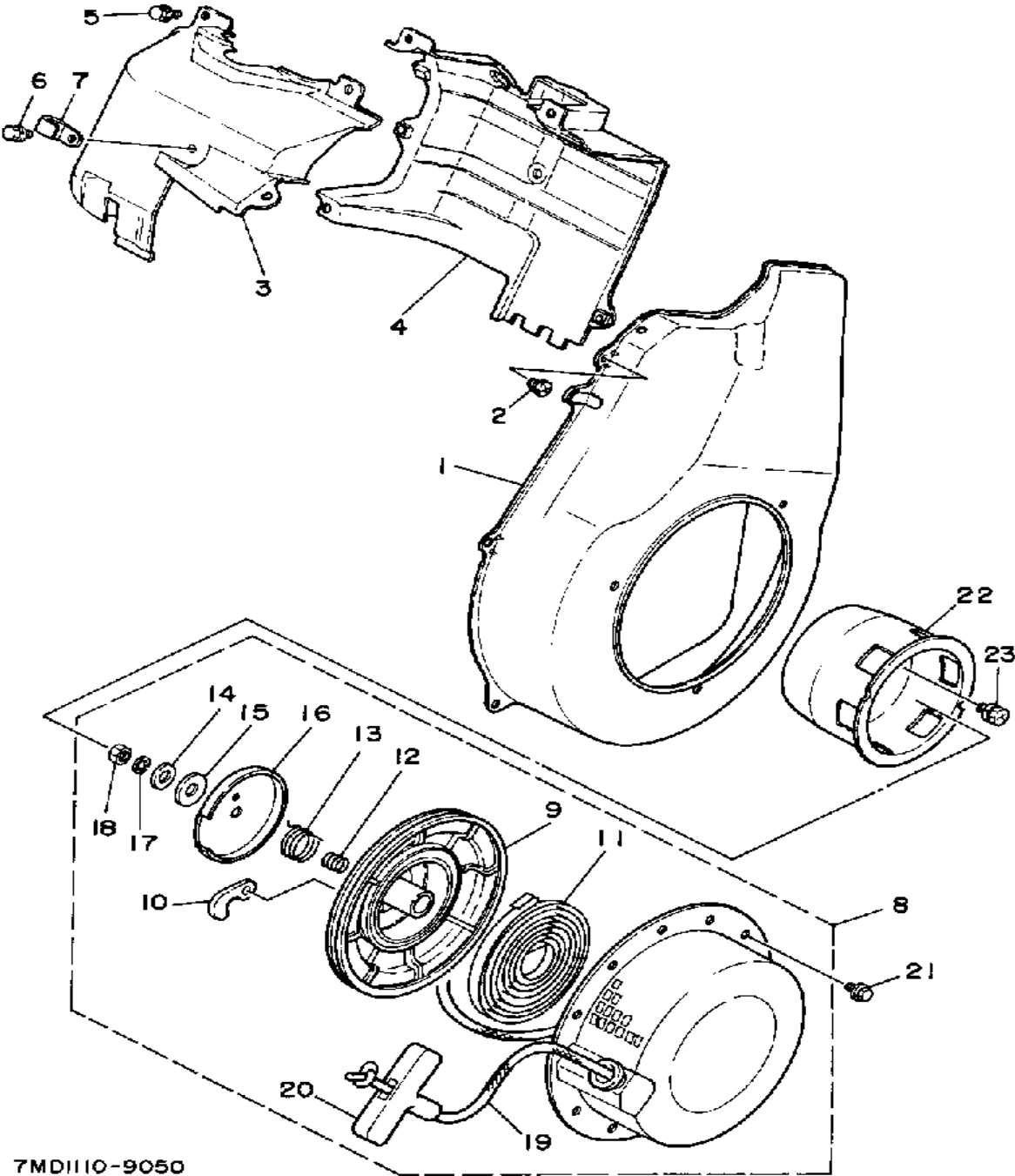
Ref. No.	Part Number	Description	Qty	Remarks
1	7LV-14101-02-00	. CARB ASSEMBLY 1	1	
	7LV-14453-01-00	. JOINT, AIR CLNR 1	1	
	99999-02041-00	CARB. ASSEMBLY 1 (7LV-14101-00)	1	
2	7LW-14941-53-00	. NOZZLE, MAIN	1	
3	127-14198-00-00	. GASKET	1	
4	75J-14150-01-00	. BOLT, HOLDING	1	
5	7LW-14142-65-00	. JET, PILOT (#65)	1	
6	8M8-14211-00-00	. SCREW, PILOT ADJUSTING	1	
7	73A-14212-00-00	. SPRING, PILOT ADJUSTING	2	
8	7LW-14216-00-00	. SCREW	1	
9	22F-14186-00-00	. PIN, FLOAT	1	
10	796-14184-00-00	. GASKET, FLOAT CHMBR	1	
11	7KY-14185-00-00	. FLOAT	1	
12	7KY-14150-00-00	. NEEDLE ASSEMBLY	1	
13	7EG-14159-00-00	. CLIP	1	
14	7LW-14231-26-00	. JET, MAIN (#130)	1	
15	7LV-14527-00-00	DIAPHRAGM ASSEMBLY	1	
16	7LV-1410K-00-00	BI-METAL ASSEMBLY	1	
17	73A-1414G-00-00	. PIPE, MAIN BLEED	1	

# EXHAUST 2



Ref. No.	Part Number	Description	Qty	Remarks
1	99999-02197-00	SPARK ARRESTER	1	
2	7LR-14786-00-00	. ARRESTER, SPARK	1	
3	97701-40506-00	. SCREW, TAPPING	1	
4	7KY-14613-01-00	GASKET, EXHAUST	1	
5	95380-08600-00	NUT	2	
6	7LV-14718-00-98	PROTECTOR, MUFF 1	1	LW GLOSS BK
7	95811-08016-00	BOLT, FLANGE	3	
8	7LR-22876-00-00	SEAL 4	1	
9	7LV-1477K-01-00	PLATE 1 (7LV-1477K-00)	1	
10	7LR-1477L-01-00	PLATE 2 (7LR-1477L-00)	1	
11	7LV-1477M-01-00	PLATE 3 (7LV-1477M-00)	1	
12	7LR-22875-01-00	SEAL 3 (7LR-22875-00)	2	
13	7LV-22875-01-00	SEAL 3	1	
14	7LV-14728-00-98	PROTECTOR, MUFF 2	1	LW GLOSS BK
15	95811-06012-00	BOLT, FLANGE (95801-06012)	6	
16	7LR-22875-01-00	SEAL 3 (7LR-22875-00)	1	
17	7LV-22875-01-00	SEAL 3	3	

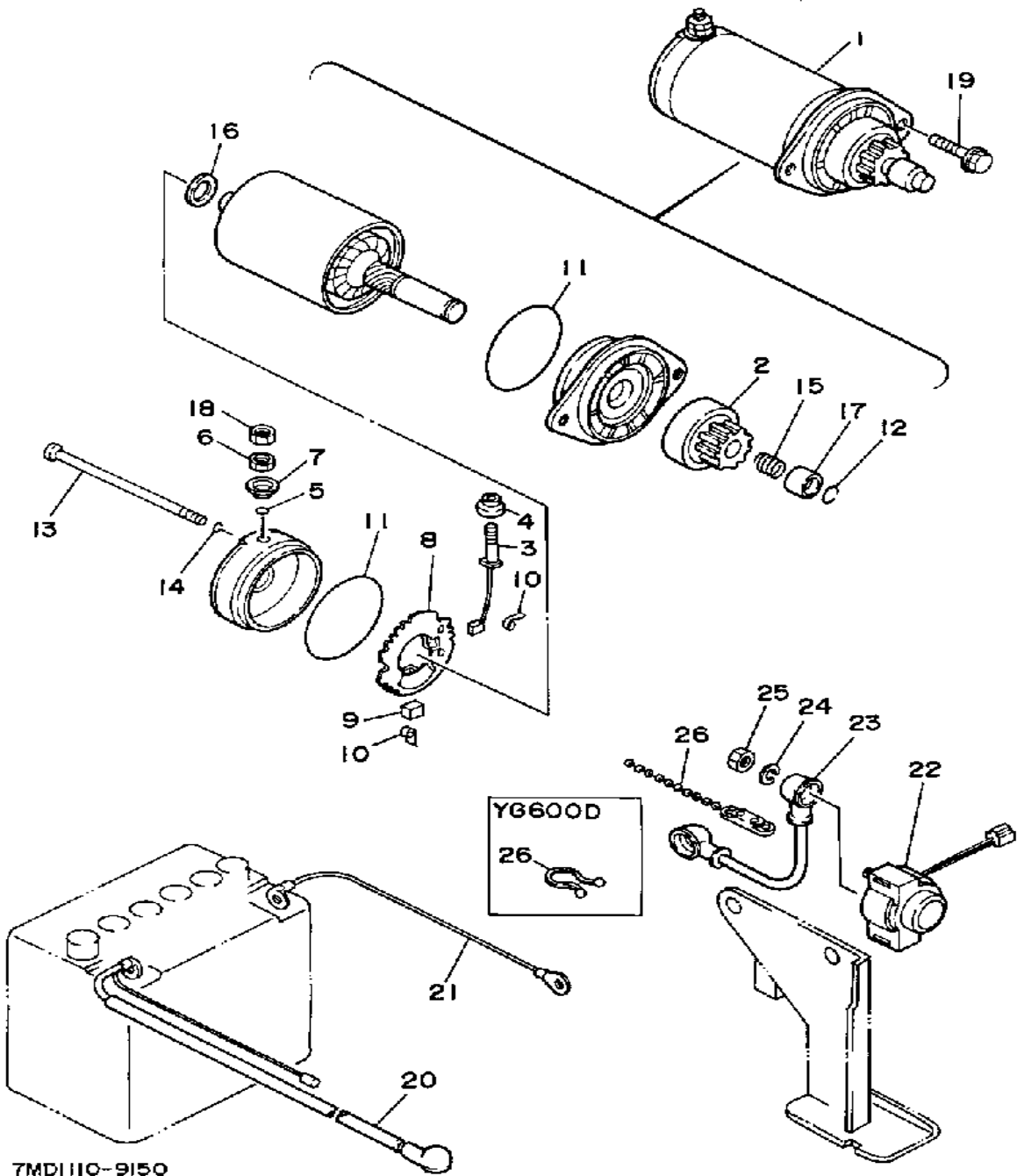
# AIR SHROUD - STARTER 2



7MD110-9050

Ref. No.	Part Number	Description	Qty	Remarks
1	7LV-12621-00-NJ	CASE, FAN .....	1	FARAWAY BLU
2	90153-06045-00	SCREW, HEXAGON .....	5	
3	7LV-12651-00-00	AIR SHROUD, CYLINDER 1 ...	1	
4	7LV-12652-00-00	AIR SHROUD, CYLINDER 2 ...	1	
5	90153-06045-00	SCREW, HEXAGON .....	5	
6	90109-06513-00	BOLT .....	2	
7	90465-08028-00	CLAMP .....	1	
8	7LV-15710-00-00	STARTER ASSEMBLY .....	1	
9	7LV-15714-00-00	. DRUM, SHEAVE .....	1	
10	7LV-15741-00-00	. PAWL, DRIVE .....	2	
11	730-15713-01-00	. SPRING, RETURN .....	1	
12	7LV-15715-00-00	. SPRING, DRIVE PLATE .....	1	
13	7LV-15784-00-00	. SPRING, RETURN .....	1	
14	7R1-15726-00-00	. WASHER, FLAT .....	1	
15	8G5-15739-00-00	. WASHER, THRUST .....	1	
16	7R1-15716-00-00	. PLATE, DRIVE .....	1	
17	92995-06100-00	. WASHER, SPRING (92990-06100-00) .....	1	
18	95380-06600-00	. NUT (95303-06600) .....	1	
19	7LV-15751-00-00	. WIRE, STARTER .....	1	
20	7LV-15755-00-00	. HANDLE, STARTER .....	1	
21	90153-06045-00	SCREW, HEXAGON .....	3	
22	7LV-15723-00-00	PULLEY, STARTER .....	1	
23	90159-08070-00	SCREW, WITH WASHER .....	3	

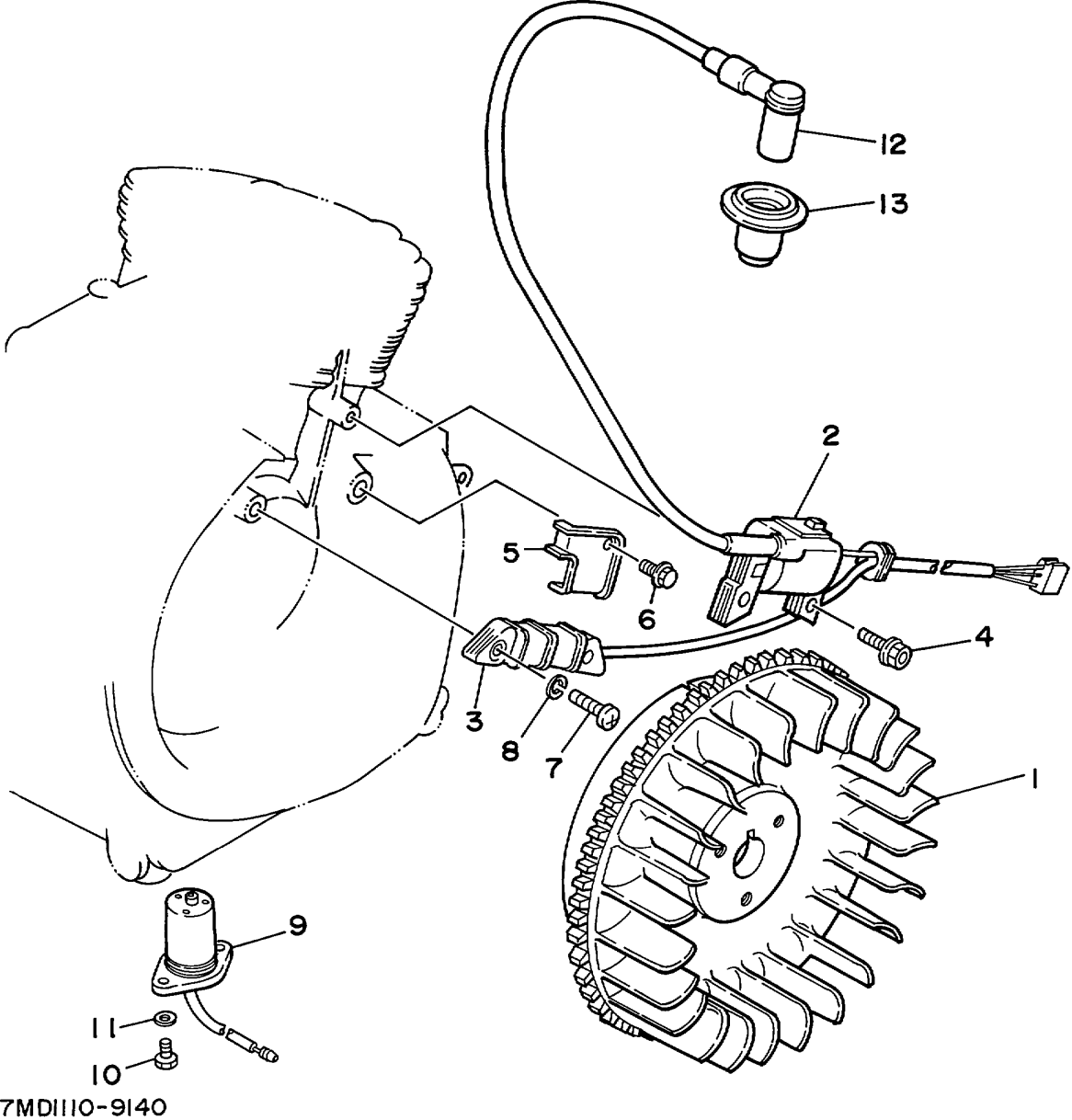
# STARTING MOTOR (YG600DE)



Ref. No.	Part Number	Description	Qty	Remarks
1	7KY-81800-00-00	STARTING MOTOR ASSEMBLY	1	
2	84N-81832-50-00	. CLUTCH, OVER RUN	1	
3	73A-81811-00-00	. BRUSH 1	1	
4	73A-81829-50-00	. GROMMET	1	
5	73A-81847-00-00	. O-RING	1	
6	4H7-81872-00-00	. NUT, SPECIAL	1	
7	73A-81829-00-00	. GROMMET	1	
8	8L6-81840-50-00	. BRUSH HOLDER ASSEMBLY	1	
9	73A-81812-00-00	. BRUSH 2	1	
10	8L6-81813-50-00	. SPRING, BRUSH	2	
11	4H7-81844-00-00	. GASKET	2	
12	8L6-81834-50-00	. RING	1	
13	84N-81826-00-00	. BOLT	2	
14	8L6-81847-50-00	. O-RING	2	
15	8L6-81836-50-00	. SPRING, LEVER	1	
16	4H7-81843-50-00	. WASHER 1	2	
17	8L6-81833-50-00	. RING, STOP	1	
18	95380-06600-00	. NUT (95303-06600)	1	
19	95811-08035-00	BOLT, FLANGE	2	
20	7LV-82115-00-00	WIRE, PLUS LEAD	1	
21	7LV-82116-00-00	WIRE, MINUS LEAD	1	
22	3AY-81940-00-00	STARTER RELAY ASSEMBLY	1	
23	7LV-81815-00-00	WIRE, STARTER	1	
24	92995-06100-00	WASHER, SPRING (92990-06100-00)	2	
25	95380-06700-00	NUT (95303-06700-00)	2	
26	90464-16039-00	CLAMP	1	UR YG600D
	90464-20031-00	CLAMP	1	UR YG600DE

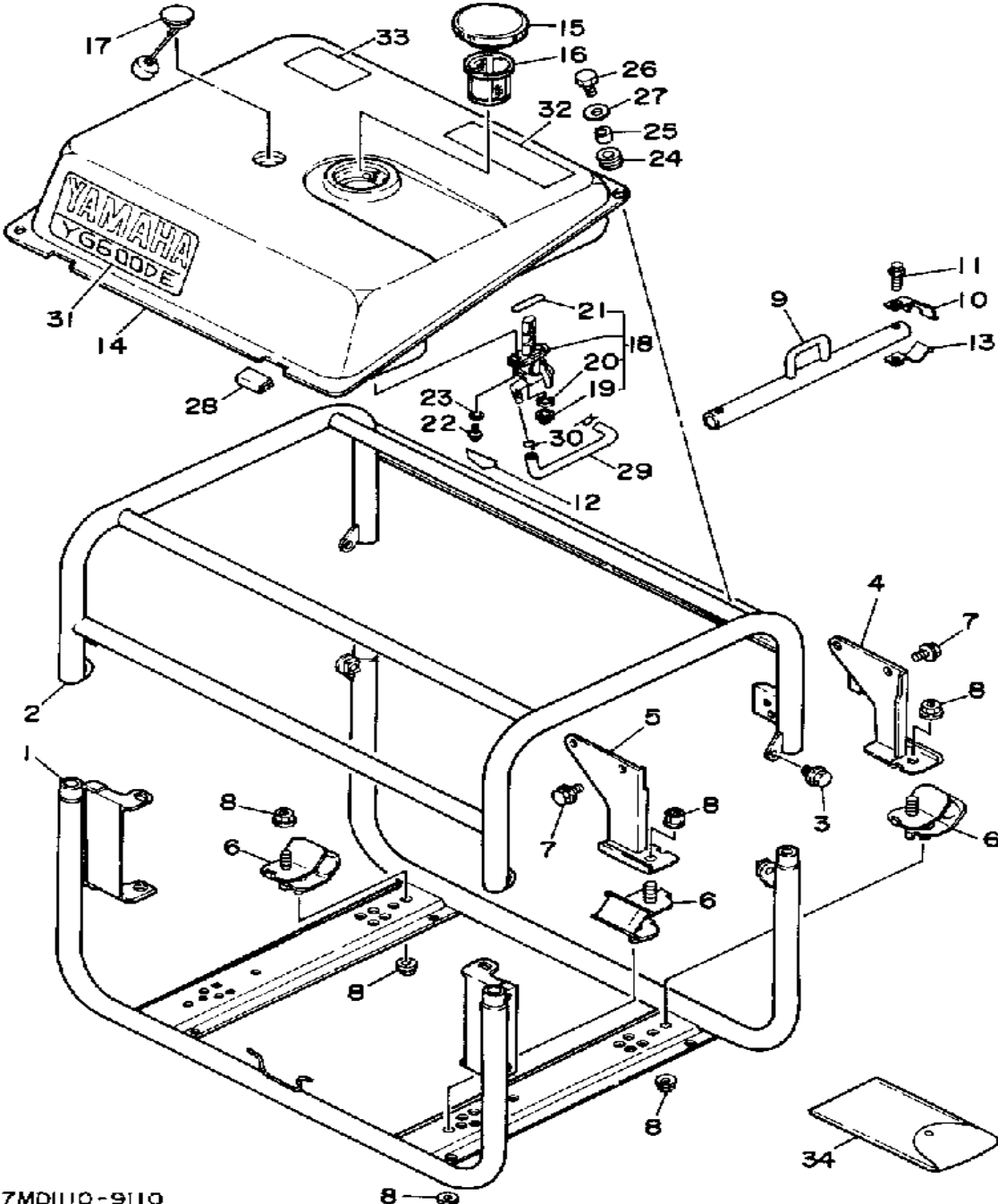


# MAGNETO 2



Ref. No.	Part Number	Description	Qty	Remarks
1	7LV-85650-09-00	ROTOR ASSEMBLY (7LV-85650-00) (YG600DE)	1	UR
	7MD-85650-09-00	ROTOR ASSEMBLY (7MD-85650-00) (YG600D)	1	UR
2	7LV-85640-01-00	TC1 UNIT ASSEMBLY (7LV-85640-00) (YG600DE)	1	UR
	7MD-85640-01-00	TCI UNIT ASSEMBLY (7MD-85640-00) (YG600D)	1	UR
3	7LV-85521-00-00	COIL ASSEMBLY (YG600DE)	1	
4	95811-06025-00	BOLT, FLANGE	2	
5	90461-10116-00	CLAMP (JA1)	1	
6	90109-06513-00	BOLT	1	
7	98580-06030-00	SCREW PAN HEAD	2	
8	92995-06100-00	WASHER, SPRING (92990-06100-00)	2	
9	7LV-85720-00-00	OIL LVL GAUGE ASSEMBLY	1	
10	97011-06016-00	BOLT	2	
11	92990-06600-00	WASHER, PLATE	2	
12	8K1-82370-20-00	PLUG CAP ASSEMBLY	1	
13	J38-82372-00-00	SEAL, PLUG CAP	1	

# FRAME - FUEL TANK 2

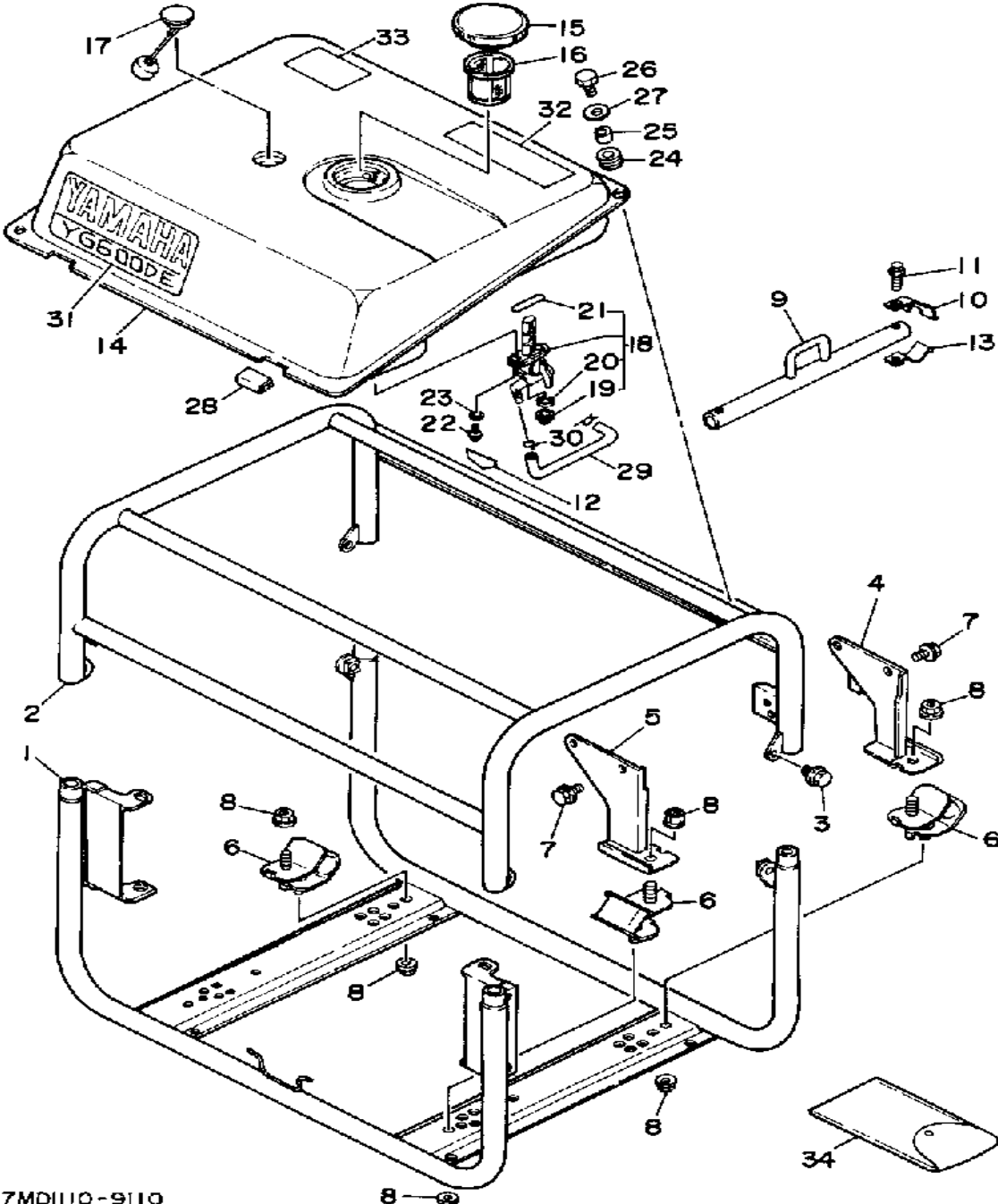


7MD110-9110

Ref. No.	Part Number	Description	Qty	Remarks
1	7LV-22840-00-00	FRAME COMP. 1	1	
2	7MD-22850-01-00	FRAME COMP 2	1	
3	95811-06012-00	BOLT, FLANGE (95801-06012)	4	
4	7LV-11011-00-00	BRACKET, ENGINE 1	1	UR YG600DE
	7LV-11011-10-00	BRACKET, ENGINE 1	1	UR YG600D
5	7LV-11012-00-00	BRACKET, ENGINE 2	1	
6	7LR-22891-00-00	INSULATOR, MOUNTING	4	
7	95811-10020-00	BOLT, FLANGE	4	
8	95701-10500-00	NUT, FLANGE	8	
9	7MC-11119-00-00	HANGER, ENGINE	1	
10	7MC-1112F-00-00	PLATE 2	2	
11	95811-08035-00	BOLT, FLANGE	2	
12	7FL-2415A-10-00	LABEL, CAUTION	1	
13	7MC-1111F-00-00	PLATE	2	
14	7MD-24110-01-NJ	FUEL TANK	1	FARAWAY BLUE
15	7V5-24610-01-00	CAP ASSEMBLY	1	
16	630-24167-00-00	STRAINER	1	
17	73A-85710-01-00	FUEL LVL GAUGE ASSEMBLY	1	
18	7MB-24500-00-00	FUEL COCK ASSEMBLY	1	
19	7J3-24521-00-00	. CUP, FILTER	1	
20	4X8-24565-00-00	. GASKET	1	
21	2W6-24512-00-00	. GASKET	1	
22	90149-06011-00	SCREW, SPEC'L SHAPE	2	
23	90202-05187-00	WASHER, PLATE	2	
24	90480-12475-00	GROMMET	2	
25	90387-08747-00	COLLAR	2	
26	97011-06020-00	BOLT	2	
27	90201-06067-00	WASHER, PLATE	2	
28	7LG-24181-00-00	DAMPER, LOCATING 1	2	

CONTINUED ON NEXT FRAME ➤

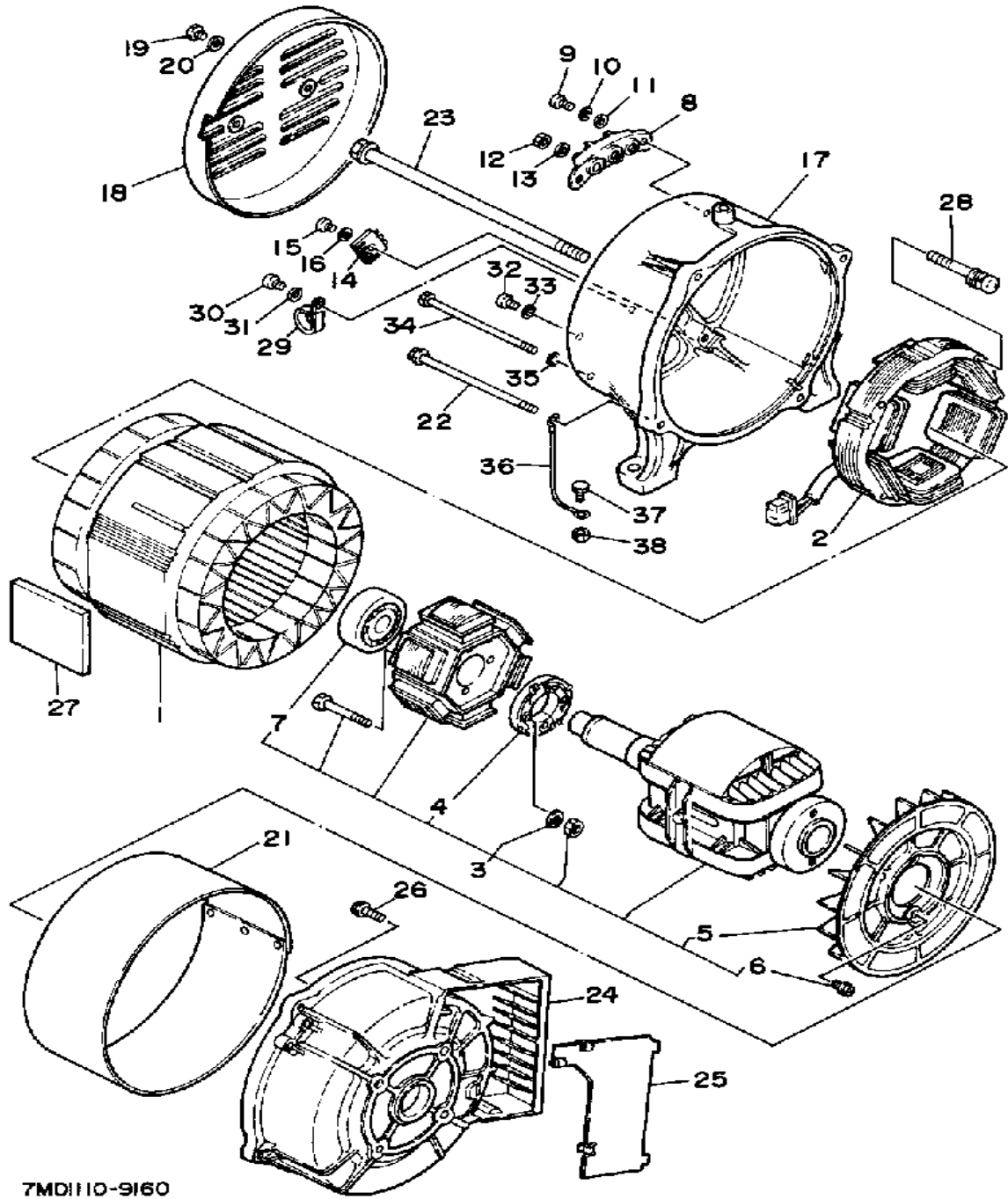
# FRAME - FUEL TANK 2



Ref. No.	Part Number	Description	Qty	Remarks
29	7LV-24311-00-00	PIPE, FUEL 1	1	
30	90467-09006-00	CLIP, SCISSOR	2	
31	7MD-24161-00-00	EMBLEM 1	1	UR YG600DE
	7MD-24161-10-00	EMBLEM 1	1	UR YG600D
32	73T-24162-10-00	EMBLEM 2	1	
33	7FL-2415A-10-00	LABEL, CAUTION	1	
34	7LV-28100-00-00	TOOL KIT	1	

7MD1110-9110

# GENERATOR 2

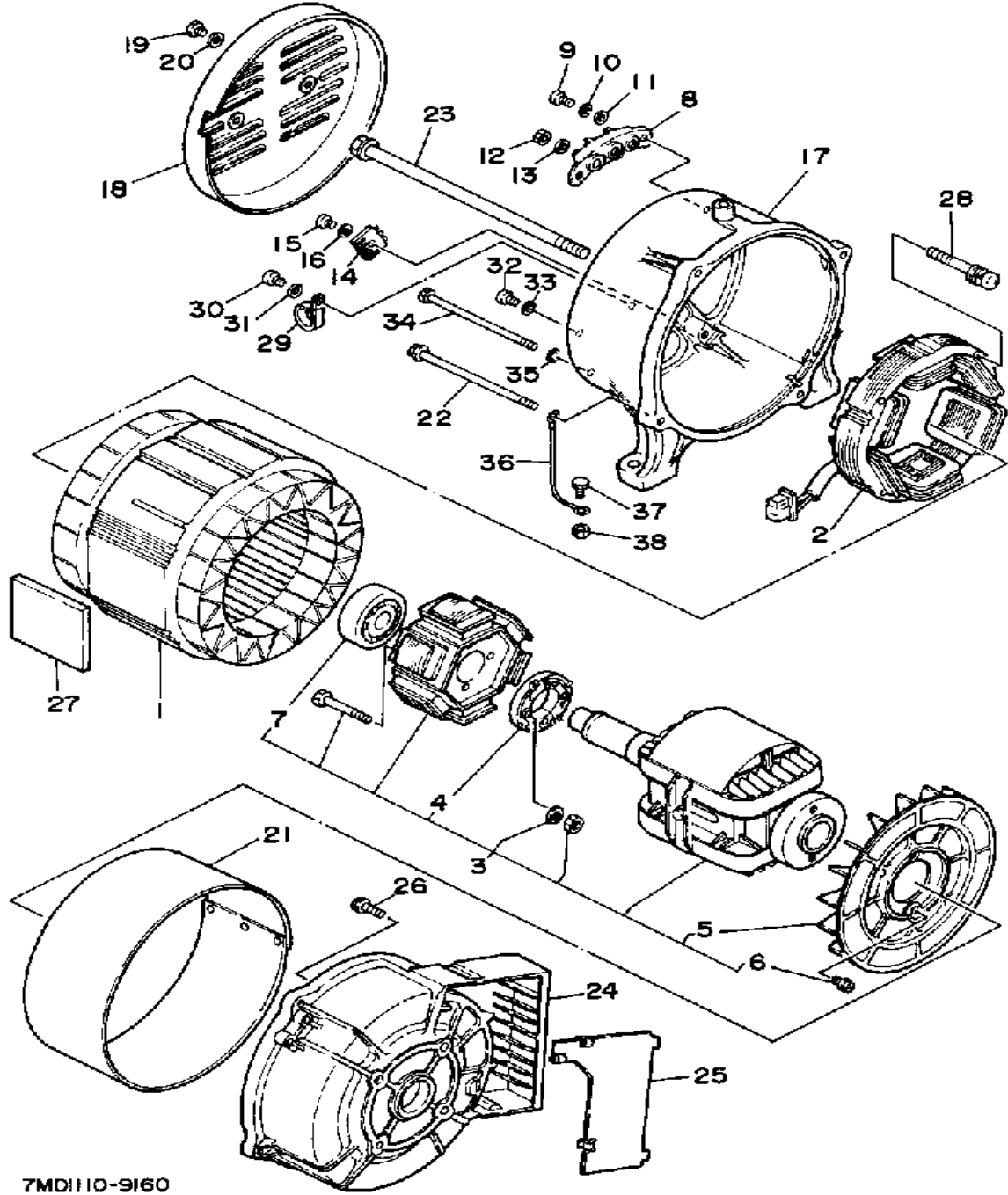


7MD110-9160

Ref. No.	Part Number	Description	Qty	Remarks
1	7LV-87150-90-00	STATOR ASSEMBLY (120/240V 60HZ)	1	
2	73A-8712A-01-00	STATOR EXCITER ASSEMBLY	1	
3	7LV-87160-00-00	ROTOR ASSEMBLY	1	
4	7LV-87115-00-00	. RECTIFIER ASSEMBLY	1	
5	7LR-87172-00-00	. FAN, GENERATOR	1	
6	90159-06056-00	. SCREW, WITH WASHER	2	
7	93306-37202-00	. BEARING	1	
8	7LR-87220-00-00	TERMINAL ASSEMBLY	1	
9	98580-05016-00	SCREW, PAN HEAD	2	
10	92990-05100-00	WASHER, SPRING	2	
11	92901-05600-00	WASHER, PLATE	2	
12	95311-05700-00	NUT	3	
13	92990-05100-00	WASHER, SPRING	3	
14	7H5-87105-01-00	RECTIFIER COMP	1	
15	98580-05016-00	SCREW, PAN HEAD	1	
16	92901-05600-00	WASHER, PLATE	1	
17	7LV-87131-00-00	FRAME, REAR	1	
18	7LR-87174-00-NJ	COVER, REAR END	1	FARAWAY BLU
19	97011-06010-00	BOLT (97002-06010)	2	
20	92901-06600-00	WASHER	2	
21	7LV-87153-00-00	COVER, STATOR	1	
22	95811-06135-00	BOLT, FLANGE	4	
23	7LV-81152-00-00	BOLT	1	
24	7LR-87121-00-00	FRAME, FRONT	1	
25	7LR-8718K-00-00	COVER, FRONT	1	
26	95821-08020-00	BOLT, FLANGE (95811-08020)	4	
27	7LV-87159-00-00	SEAL, STATOR	4	
28	90159-05091-00	SCREW, WITH WASHER	4	

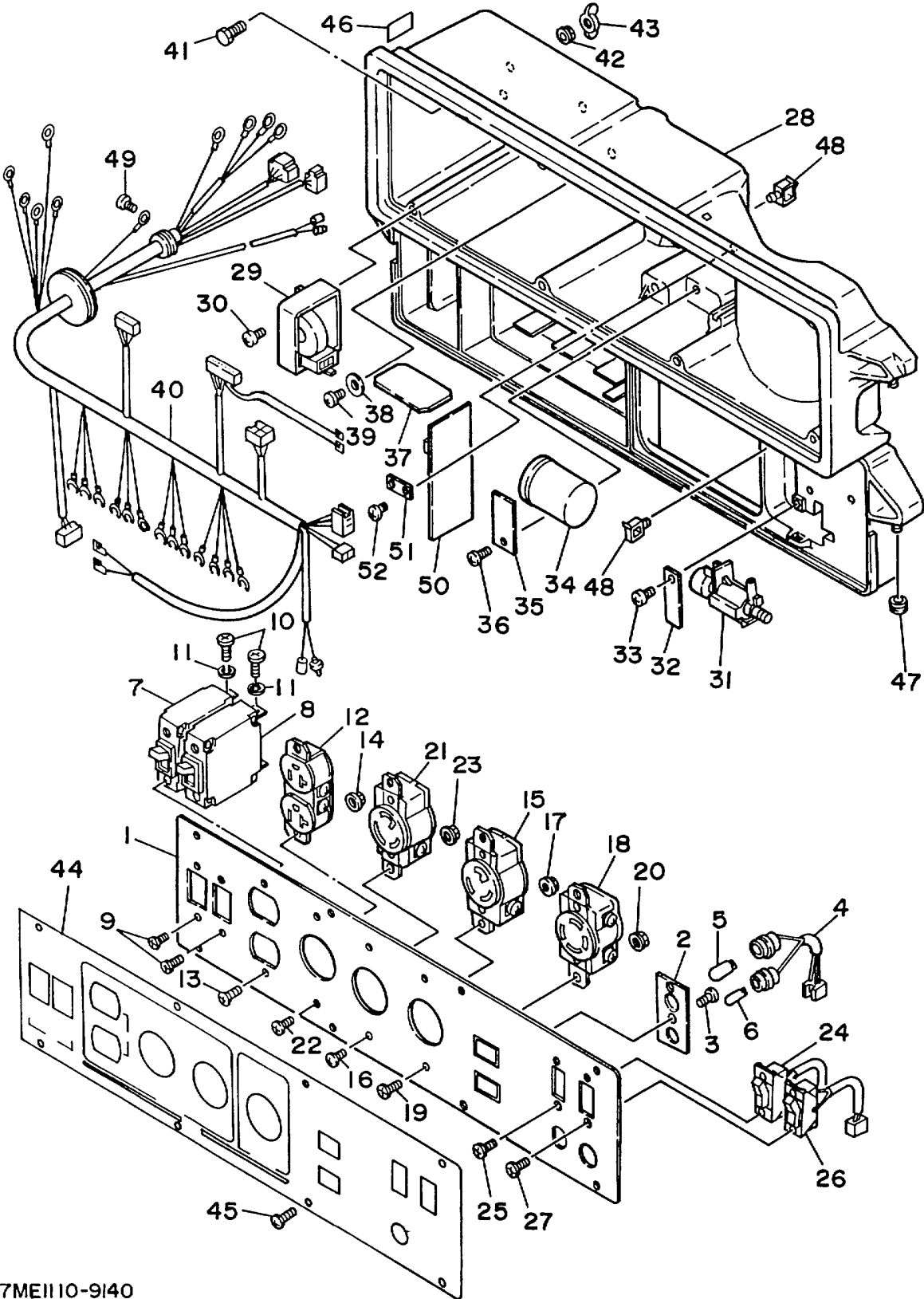
CONTINUED ON NEXT FRAME ►

# GENERATOR 2



Ref. No.	Part Number	Description	Qty	Remarks
29	90462-05061-00	CLAMP	1	
30	98580-05010-00	SCREW, PAN HEAD	1	
31	92901-05600-00	WASHER, PLATE	1	
32	98580-05010-00	SCREW, PAN HEAD	1	
33	92901-05600-00	WASHER, PLATE	1	
34	97022-06125-00	BOLT (7LU)	2	
35	92990-06600-00	WASHER, PLATE	2	
36	7LG-87139-00-00	LEAD WIRE ASSEMBLY 2	1	
37	95811-06010-00	BOLT, FLANGE	1	
38	95701-06500-00	NUT, FLANGE	1	

# CONTROL BOX 2

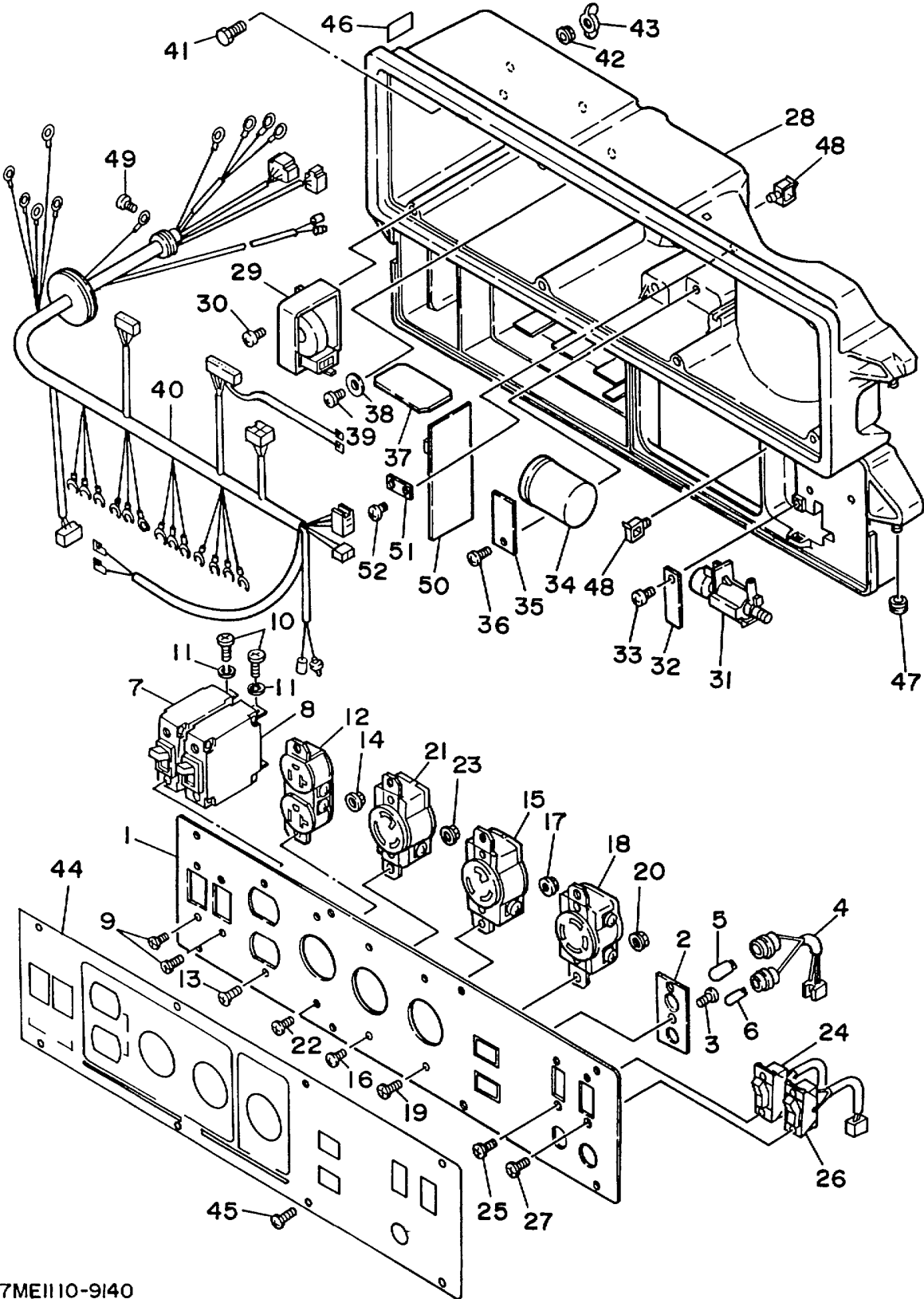


Ref. No.	Part Number	Description	Qty	Remarks
1	7MC-87211-90-00	BOX, CONTROL .....	1	
2	7LG-87253-00-00	HOLDER, SOCKET .....	1	
3	97780-30110-00	SCREW, TAPPING .....	1	
4	7MB-83520-90-00	SOCKET CORD ASSEMBLY ..	1	
5	7LG-87254-00-00	BULB, PILOT LAMP .....	1	
6	7LG-83531-00-00	BULB, PILOT .....	1	
7	7LV-87204-00-00	BREAKER (41.7A) .....	1	
8	7LV-87204-20-00	BREAKER (20.8A) .....	1	
9	98702-04008-00	SCREW, FLAT HEAD .....	4	
10	98580-06012-00	SCREW, PAN HEAD (92501-06012-00) .....	4	
11	92995-06100-00	WASHER, SPRING (92990-06100-00) .....	4	
12	73H-87221-90-00	CONSENT 1 (P&S 5-20R) .....	1	
13	98701-04012-00	SCREW, FLAT HEAD .....	2	
14	95701-04500-00	NUT, FLANGE .....	2	
15	7LR-87221-90-00	CONSENT 1 (WCF63130B02) ..	1	MATSUSHITA
16	98701-04012-00	SCREW, FLAT HEAD .....	2	
17	95701-04500-00	NUT, FLANGE .....	2	
18	7LR-87222-90-00	CONCENT 2 (WCF63420B02) ..	1	MATSUSHITA
19	98701-04012-00	SCREW, FLAT HEAD .....	2	
20	95701-04500-00	NUT, FLANGE .....	2	
21	7LL-87222-90-00	CONSENT 2 (WCF6312002) ...	1	MATSUSHITA
22	98701-04012-00	SCREW, FLAT HEAD .....	2	
23	95701-04500-00	NUT, FLANGE .....	2	
24	78G-82550-00-00	STOP SWITCH ASSEMBLY ...	1	
25	98702-03006-00	SCREW, FLAT HEAD .....	2	
26	7LR-82567-90-00	SWITCH, THROTTLE .....	1	
27	98702-03006-00	SCREW, FLAT HEAD .....	2	

CONTINUED ON NEXT FRAME ►

7ME110-9140

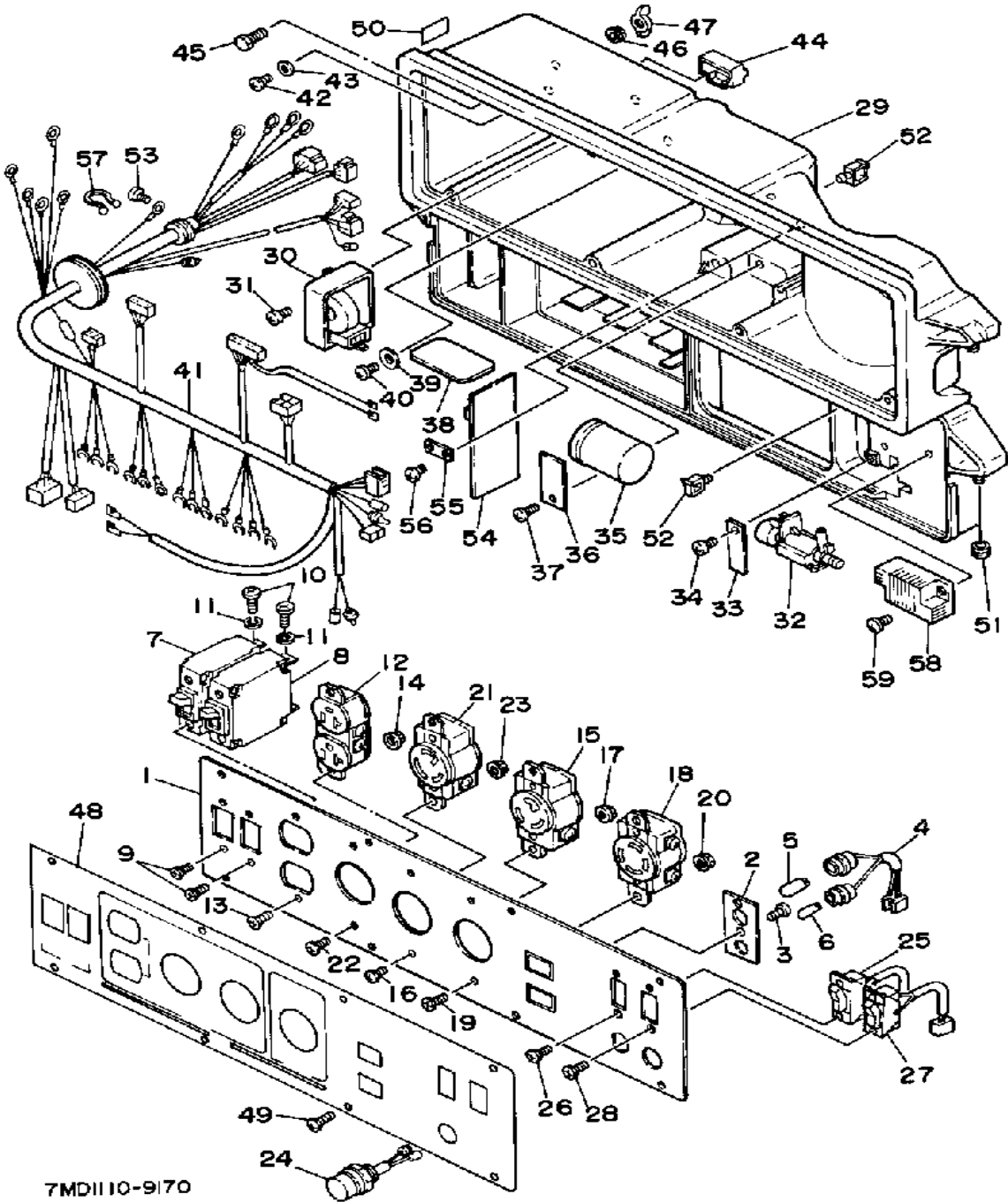
# CONTROL BOX 2



Ref. No.	Part Number	Description	Qty	Remarks
28	7LV-87213-00-00	COVER CONTROL BOX .....	1	
29	7AV-87286-00-00	SLOW DOWN UNIT ASSEMBLY	1	
30	97702-60120-00	SCREW, TAPPING .....	1	
31	7LR-86120-90-00	SOLENOID VALVE ASSEMBLY	1	
32	7LR-86112-00-00	STAY, SOLENOID .....	1	
33	97780-50612-00	SCREW, TAPPING .....	1	
34	78R-87107-00-00	CONDENSER ASSEMBLY ....	1	
35	7LR-87216-00-00	HOLDER, CONDENSER .....	1	
36	97780-50612-00	SCREW, TAPPING .....	1	
37	7LG-85690-00-00	OIL WARNING UNIT .....	1	
38	90201-03013-00	WASHER, PLATE .....	1	
39	97780-30110-00	SCREW, TAPPING .....	1	
40	7MD-87226-70-00	WIRE HARNESS .....	1	
41	97011-06020-00	BOLT .....	1	
42	95701-06500-00	NUT, FLANGE .....	1	
43	90175-06008-00	NUT, WING .....	1	
44	7MC-87217-90-00	PLATE, CONTROL .....	1	
45	97706-40516-00	SCREW, TAPPING .....	8	
46	7H6-87261-00-00	EMBLEM 1 .....	1	
47	90464-16025-00	CLAMP .....	2	
48	90480-01401-00	GROMMET .....	4	
49	98580-05010-00	SCREW, PAN HEAD .....	1	
50	7LU-8722A-00-00	VOLT.REGULATOR ASSEMBLY	1	
51	7LG-2631G-00-00	PLATE .....	1	
52	97780-30110-00	SCREW, TAPPING .....	1	

7ME110-9140

# CONTROL BOX (YG600DE)



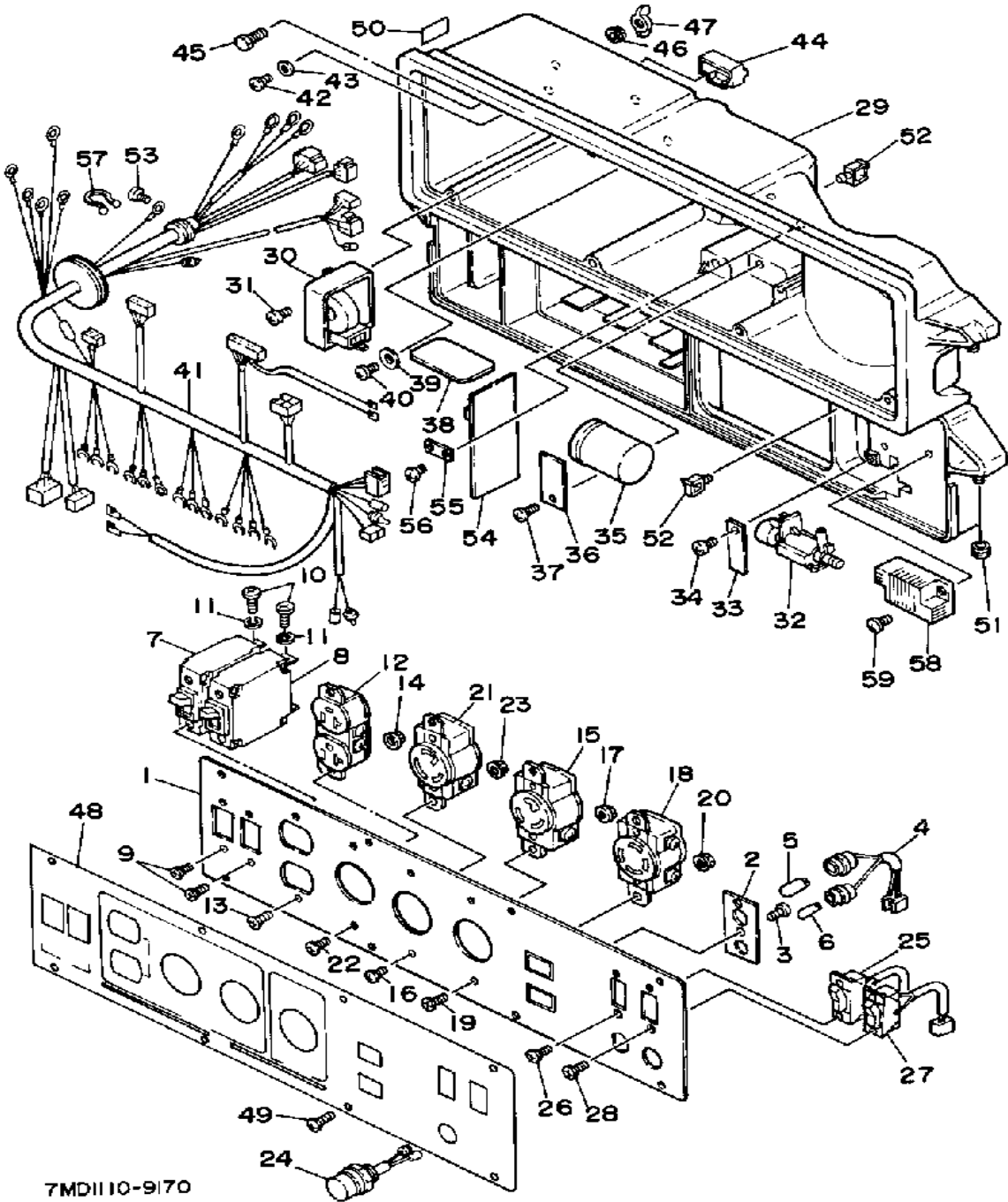
Ref. No.	Part Number	Description	Qty	Remarks
1	7MC-87211-90-00	BOX, CONTROL .....	1	
2	7LG-87253-00-00	HOLDER, SOCKET .....	1	
3	97780-30110-00	SCREW, TAPPING .....	1	
4	7MB-83520-90-00	SOCKET CORD ASSEMBLY ..	1	
5	7LG-87254-00-00	BULB, PILOT LAMP .....	1	
6	7LG-83531-00-00	BULB, PILOT .....	1	
7	7LV-87204-00-00	BREAKER (41.7A) .....	1	
8	7LV-87204-20-00	BREAKER (20.8A) .....	1	
9	98702-04008-00	SCREW, FLAT HEAD .....	4	
10	98580-06012-00	SCREW, PAN HEAD (92501-06012-00) .....	4	
11	92995-06100-00	WASHER, SPRING (92990-06100-00) .....	4	
12	73H-87221-90-00	CONSENT 1 (P&S 5-20R) .....	1	
13	98701-04012-00	SCREW, FLAT HEAD .....	2	
14	95701-04500-00	NUT, FLANGE .....	2	
15	7LR-87221-90-00	CONSENT 1 (WCF63130B02) ..	1	MATSUSHITA
16	98701-04012-00	SCREW, FLAT HEAD .....	2	
17	95701-04500-00	NUT, FLANGE .....	2	
18	7LR-87222-90-00	CONCENT 2 (WCF63420B02) ..	1	MATSUSHITA
19	98701-04012-00	SCREW, FLAT HEAD .....	2	
20	95701-04500-00	NUT, FLANGE .....	2	
21	7LL-87222-90-00	CONSENT 2 (WCF6312002) ...	1	MATSUSHITA
22	98701-04012-00	SCREW, FLAT HEAD .....	2	
23	95701-04500-00	NUT, FLANGE .....	2	
24	7MD-81870-00-00	START SWITCH ASSEMBLY ..	1	
25	78G-82550-00-00	STOP SWITCH ASSEMBLY ...	1	
26	98702-03006-00	SCREW, FLAT HEAD .....	2	
27	7LR-82567-90-00	SWITCH, THROTTLE .....	1	

7MD110-9170

CONTINUED ON NEXT FRAME ►



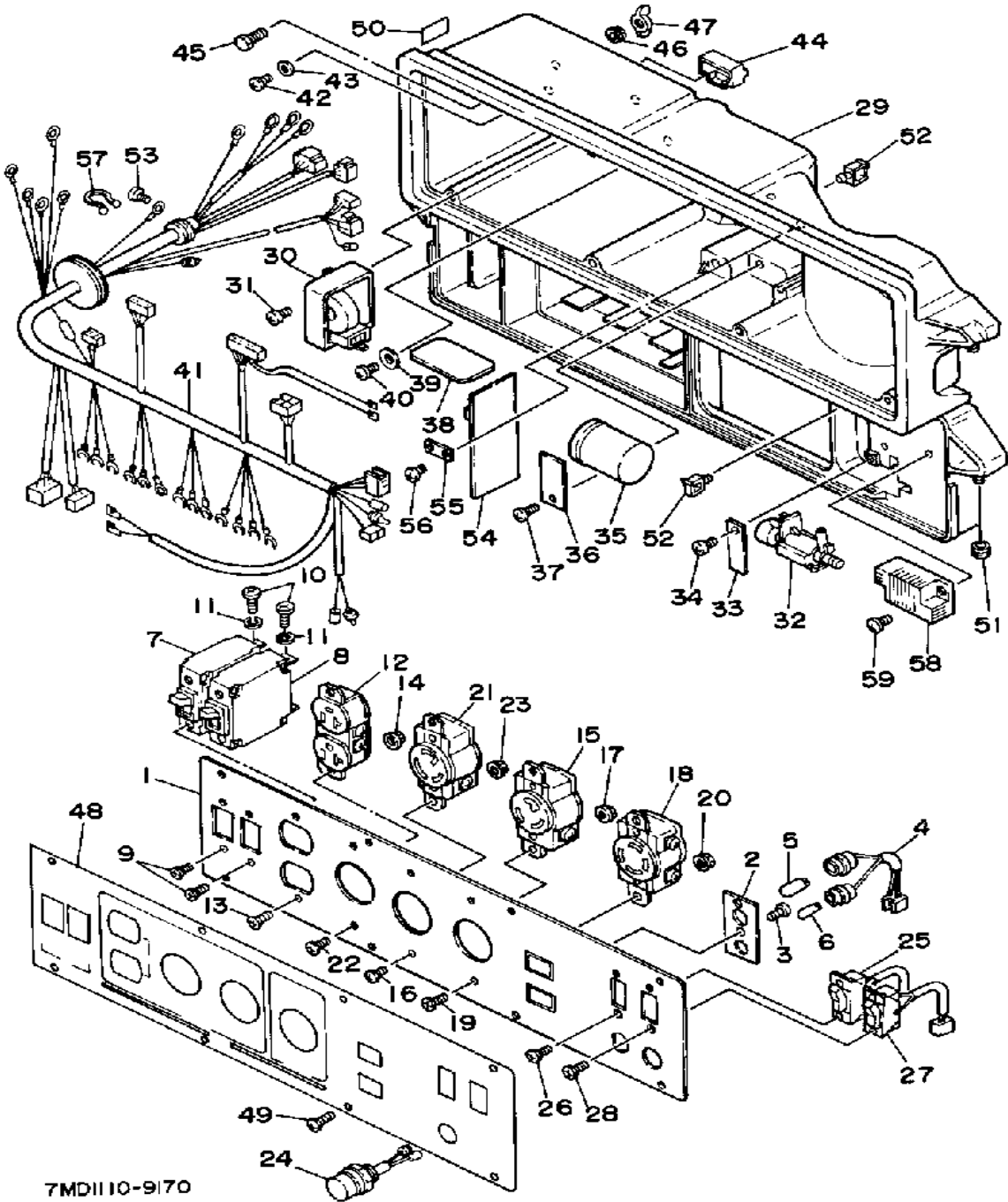
# CONTROL BOX (YG600DE)



Ref. No.	Part Number	Description	Qty	Remarks
28	98702-03006-00	SCREW, FLAT HEAD	2	
29	7LV-87213-00-00	COVER CONTROL BOX	1	
30	7AV-87286-00-00	SLOW DOWN UNIT ASSEMBLY	1	
31	97702-60120-00	SCREW, TAPPING	1	
32	7LR-86120-90-00	SOLENOID VALVE ASSEMBLY	1	
33	7LR-86112-00-00	STAY, SOLENOID	1	
34	97780-50612-00	SCREW, TAPPING	1	
35	78R-87107-00-00	CONDENSER ASSEMBLY	1	
36	7LR-87216-00-00	HOLDER, CONDENSER	1	
37	97780-50612-00	SCREW, TAPPING	1	
38	7LG-85690-00-00	OIL WARNING UNIT	1	
39	90201-03013-00	WASHER, PLATE	1	
40	97780-30110-00	SCREW, TAPPING	1	
41	7MD-87226-90-00	WIRE HARNESS	1	
42	97780-30110-00	SCREW, TAPPING	2	
43	92990-03200-00	WASHER (50H)	2	
44	7LP-82599-00-00	COVER, CONNECTER	1	
45	97011-06020-00	BOLT	1	
46	95701-06500-00	NUT, FLANGE	1	
47	90175-06008-00	NUT, WING	1	
48	7MD-87217-90-00	PLATE, CONTROL	1	
49	97706-40516-00	SCREW, TAPPING	8	
50	7H6-87261-00-00	EMBLEM 1	1	
51	90480-01401-00	GROMMET	4	
52	90464-16025-00	CLAMP	3	
53	98580-05010-00	SCREW, PAN HEAD	1	
54	7LU-8722A-00-00	VOLT.REGULATOR ASSEMBLY	1	
55	7LG-2631G-00-00	PLATE	1	
56	97780-30110-00	SCREW, TAPPING	1	

CONTINUED ON NEXT FRAME ►

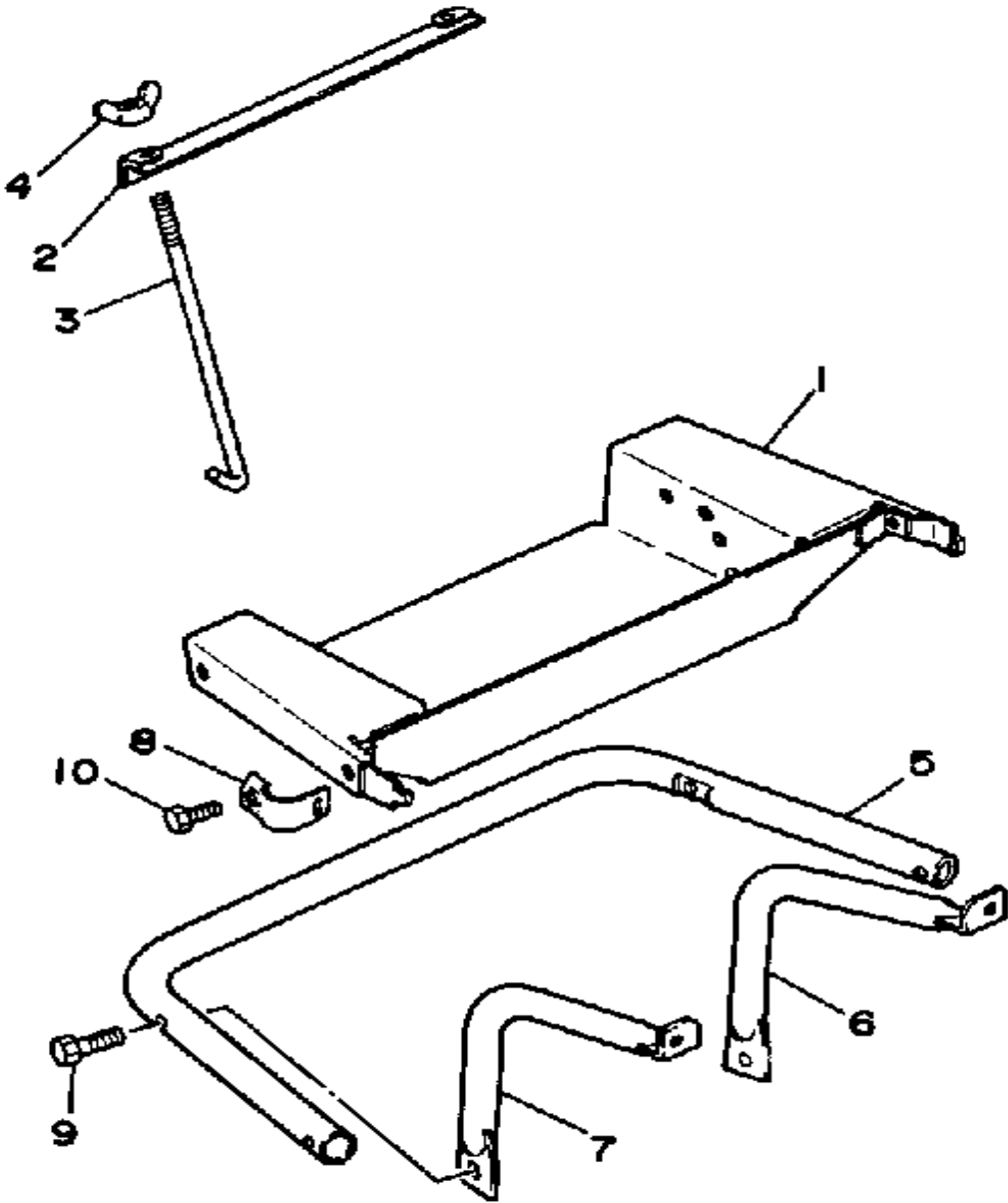
# CONTROL BOX (YG600DE)



Ref. No.	Part Number	Description	Qty	Remarks
57	90464-16039-00	CLAMP .....	1	
58	22J-81960-92-00	RECTIFIER/REG ASSEMBLY ..	1	
59	97780-50520-00	SCREW, TAPPING .....	2	

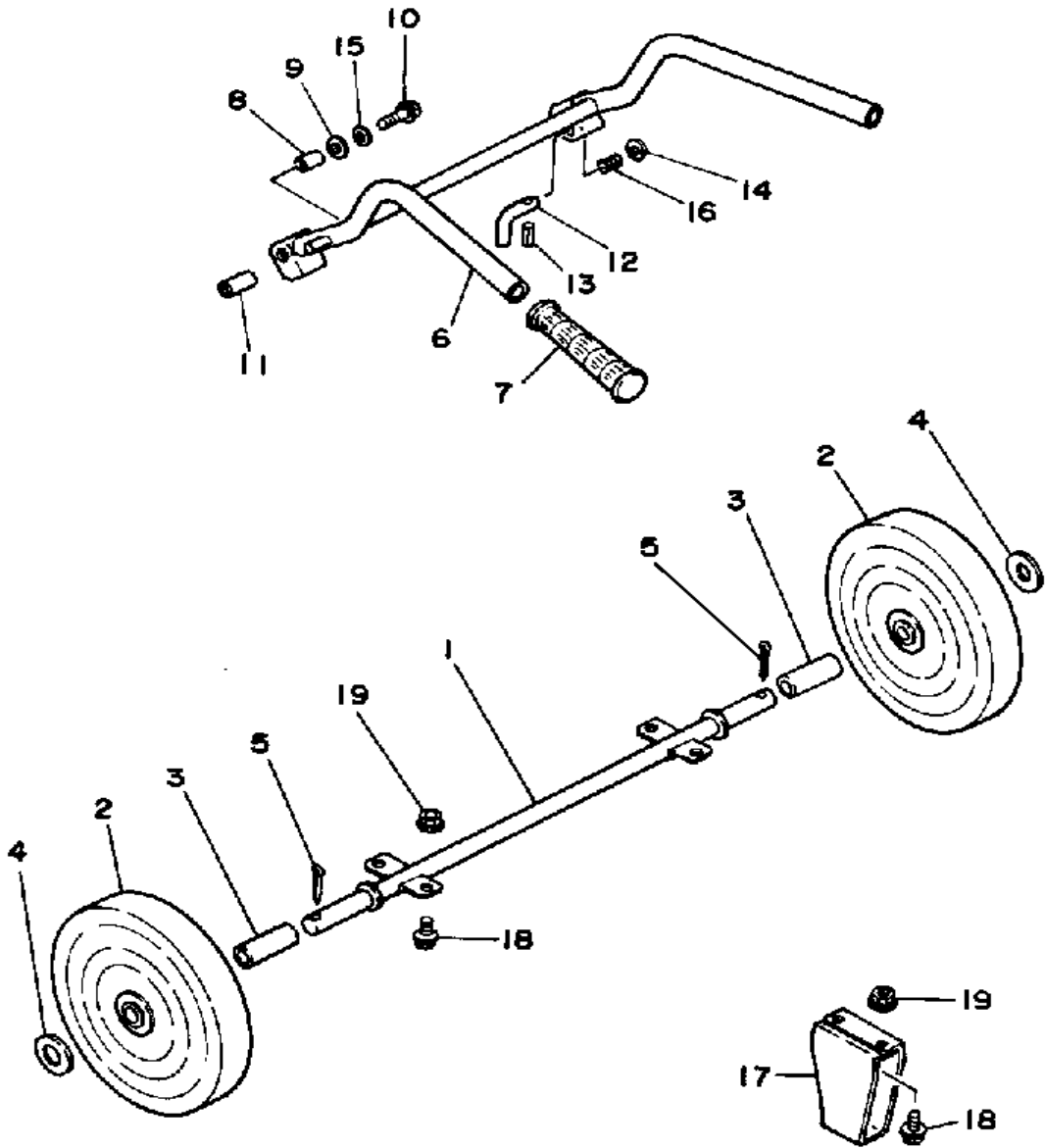
7MD1110-9/70

# BATTERY TRAY (YG600DE)



Ref. No.	Part Number	Description	Qty	Remarks
1	7LP-82122-00-T2	SEAT, BATTERY .....	1	LW GLOSS GRY
2	J55-H2136-00-00	PLATE, BATT FITTING (J17-82136-00) .....	1	
3	7LP-82133-00-00	SCREW, FITTING .....	2	
4	90175-06008-00	NUT, WING .....	2	
5	7LV-22836-00-00	STAY, 3 .....	1	
6	7LV-22838-00-00	STAY 6 .....	1	
7	7LV-22839-00-00	STAY 7 .....	1	
8	7LV-22864-00-00	COVER, SIDE 1 .....	2	
9	95811-06030-00	BOLT, FLANGE (95802-06030) .	2	
10	95801-06035-00	BOLT, FLANGE .....	2	

# FRONT WHEEL OPTIONAL PARTS 2



Ref. No.	Part Number	Description	Qty	Remarks
1	7LR-25381-00-00	AXLE, WHEEL .....	1	
2	73A-22846-10-00	CASTER 2 .....	2	
3	73A-25322-10-00	INSERT, SHAFT .....	2	
4	92901-20600-00	WASHER .....	2	
5	91401-30040-00	PIN, COTTER .....	2	
6	7LR-26100-00-00	HANDLE ASSEMBLY .....	1	
7	801-26241-01-00	GRIP LH (L.H.) .....	2	
8	90387-080K6-00	COLLAR .....	2	
9	90206-12052-00	WASHER, WAVE .....	2	
10	95811-08045-00	BOLT, FLANGE .....	2	
11	90445-162A0-00	HOSE .....	2	
12	73A-26112-10-00	BAR, HANDLE .....	1	
13	91609-30016-00	PIN, SPRING .....	1	
14	90201-08624-00	WASHER, PLATE .....	1	
15	90201-08730-00	WASHER, PLATE .....	2	
16	90501-10264-00	SPRING, COMPRESSION .....	1	
17	7LR-27111-00-T2	STAND, MAIN .....	2	LW GLOSS GRY
18	95811-08016-00	BOLT, FLANGE .....	8	
19	95701-08500-00	NUT, FLANGE (95702-08500) ..	8	