

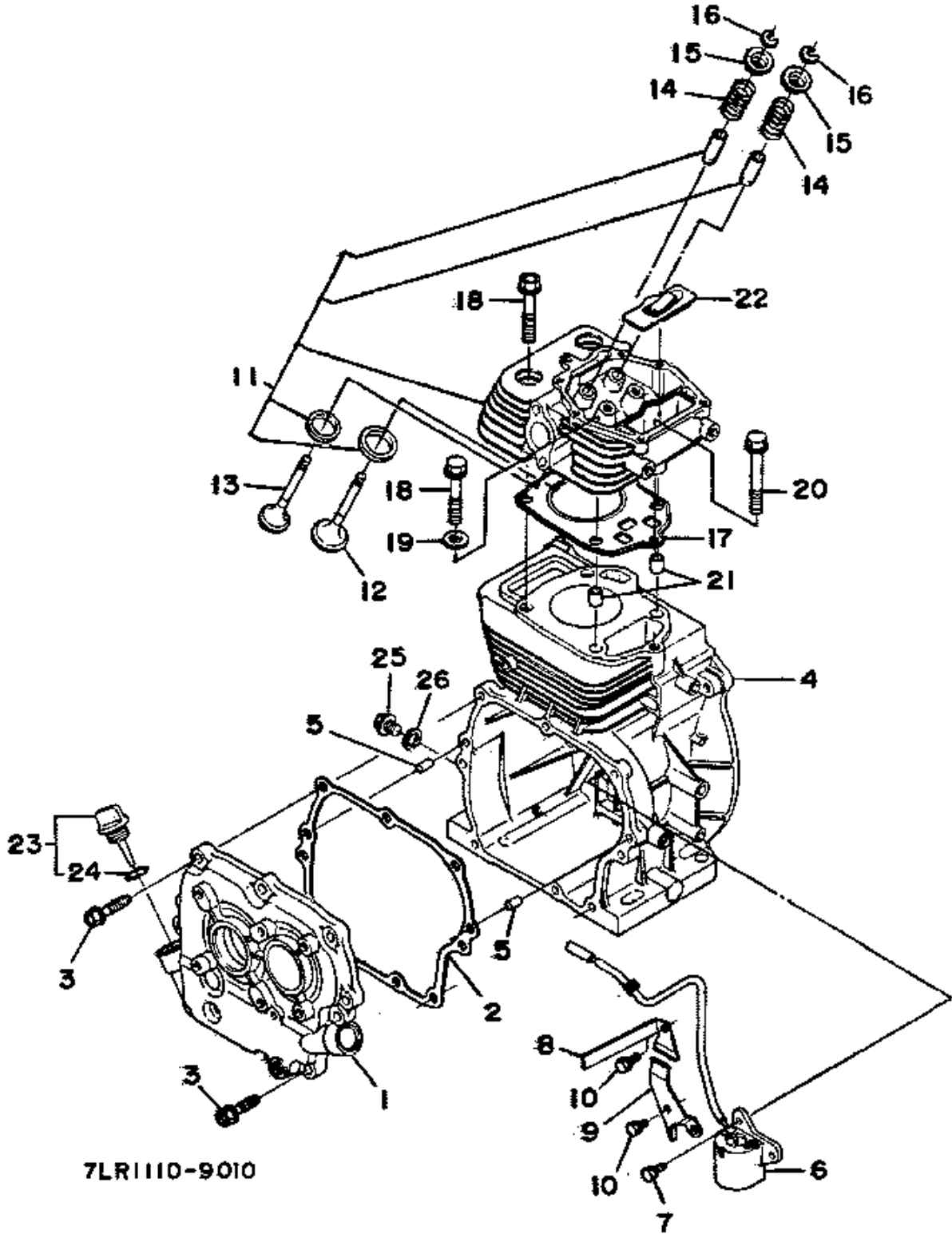


# PARTS CATALOGUE YAMAHA GENERATOR YG450D (7MC2)

Serial No.	7MC-030101 and following
------------	--------------------------

**YAMAHA**  
**GENUINE**  
Parts & Accessories

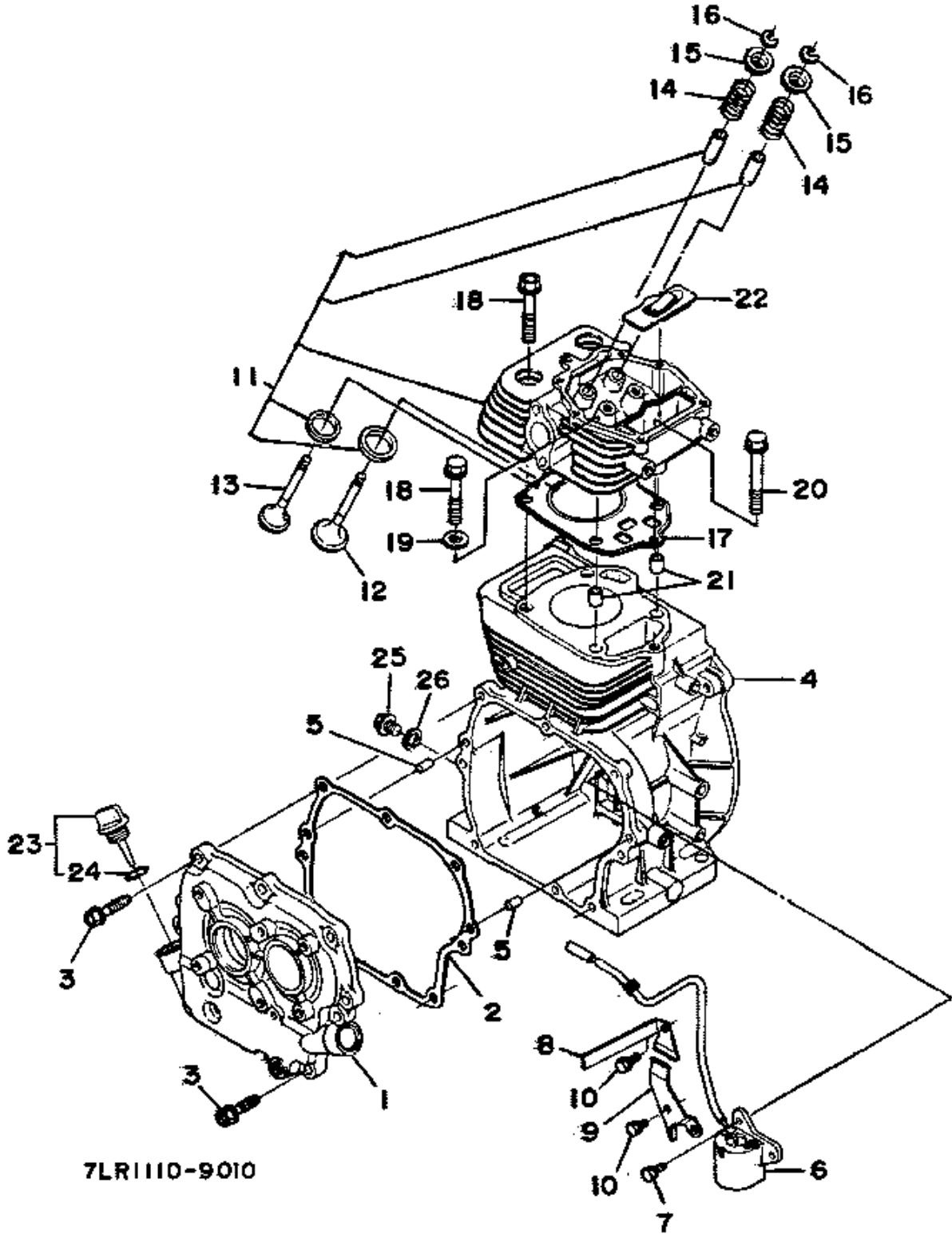
# CYLINDER - CRANKCASE



Ref. No.	Part Number	Description	Qty	Remarks
1	YF1-26270-10-51	COVER ASSEMBLY, CRANKCASE (YF1-26270-10-50)	1	
2	YF1-26270-13-41	GASKET, CRANKCASE (YF1-26270-13-40)	1	
3	YF1-39219-11-11	BOLT (YF1-39219-11-10)	8	
4	YF1-26270-21-11	CRANKCASE 1	1	
	YF1-26270-21-13	CRANKCASE 1 (YF1-26270-21-11)	1	7MC-800851~
5	YF1-33259-45-11	PIN, STRAIGHT (YF1-33259-45-10)	2	
6	YF1-26273-95-12	OIL WATCH COMP. (YF1-26273-95-11)	1	
7	YF0-12025-06-14	BOLT	2	
8	YF1-26273-95-52	RETAINER, CODE	1	
9	YF1-26273-95-62	RETAINER, CODE	1	
10	YF0-12025-06-10	BOLT	2	
11	YF1-26280-30-41	CYLINDER HEAD COMP. (YF1-26280-30-40)	1	
12	YF1-26271-31-11	VALVE, INTAKE (YF1-26271-31-10)	1	
13	YF1-26281-31-22	VALVE, EXHAUST (YF1-26281-31-21)	1	
14	YF1-26271-32-41	SPRING, VALVE (YF1-26271-32-40)	2	
15	YF1-26271-33-31	RETAINER, VALVE SPRING (YF1-26271-33-30)	2	
16	YF1-26271-33-61	COTTER (YF1-26271-33-60)	2	
17	YF1-26270-33-11	GASKET, CYLINDER HEAD (YF1-26270-33-10)	1	
18	YF1-26270-34-51	BOLT, CYLINDER HEAD (YF1-26270-34-50)	4	
19	YF1-21810-35-40	WASHER, HEAD BOLT	2	

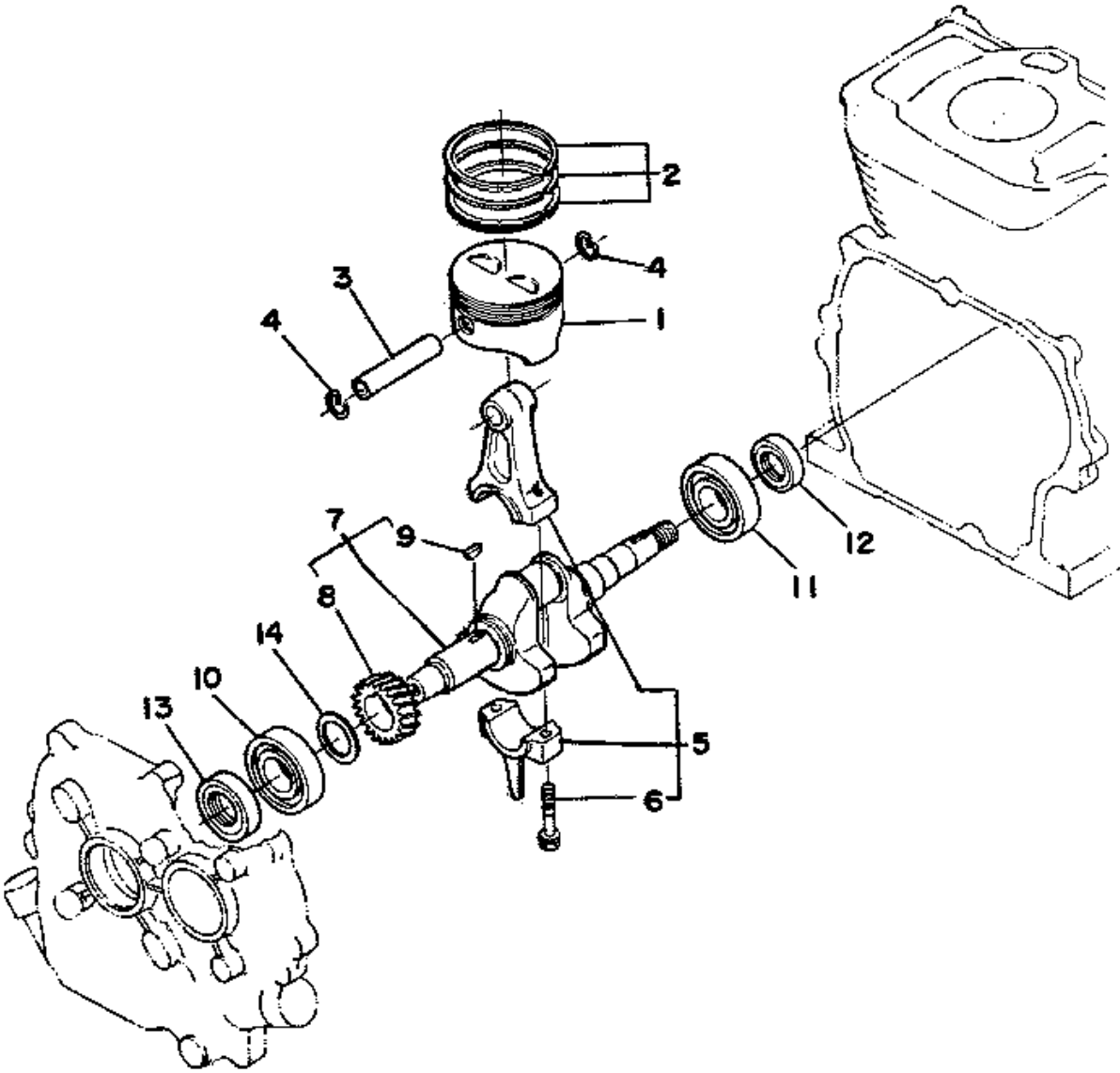
CONTINUED ON NEXT FRAME ➤

# CYLINDER - CRANKCASE



Ref. No.	Part Number	Description	Qty	Remarks
20	YF0-17545-08-50	BOLT, FLANGE .....	1	
21	YF1-21819-45-41	PIN, DOWEL (YF1-21819-45-40)	2	
22	YF1-29080-50-10	BREATHER COMP. (YF1-26270-50-11) .....	1	
23	YF1-36413-30-83	PLUG ASSEMBLY, OIL FILLER (YF1-36413-30-80) .....	1	
24	YF0-48110-01-80	. O-RING .....	1	
25	YF1-39013-37-51	PLUG, DRAIN (YF1-39013-37-50) .....	1	
26	YF0-47240-01-20	GASKET .....	1	

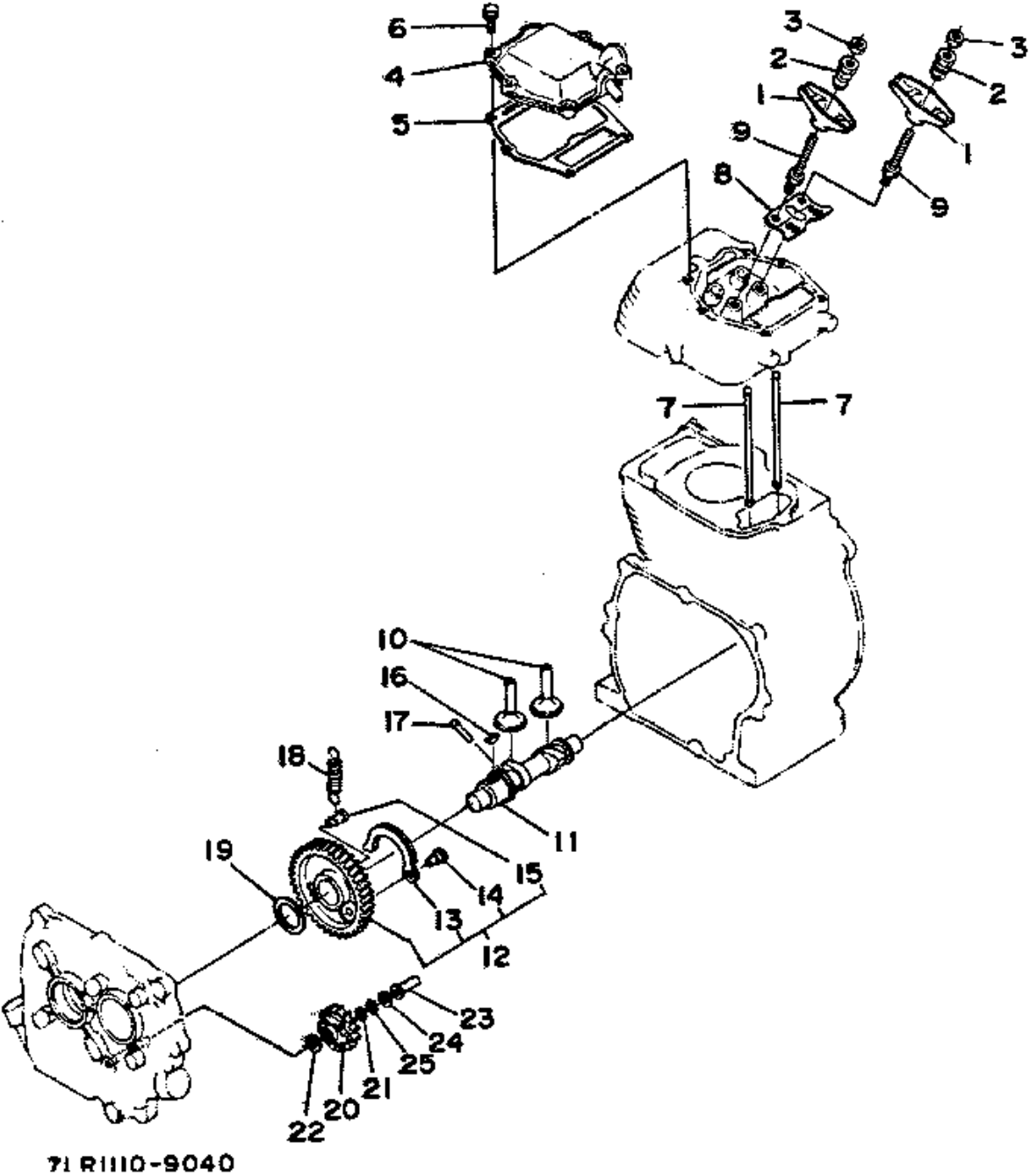
# CRANKSHAFT - PISTON



7LR1110-9020

Ref. No.	Part Number	Description	Qty	Remarks
1	YF1-26272-11-11	PISTON (STD)	1	
	YF1-26272-19-11	PISTON (0.50 O/S)	1	AP
	YF1-26272-19-21	PISTON (0.25MM O/S)	1	AP
2	YF1-26272-10-51	PISTON RING SET (STD)	1	
	YF1-26272-10-91	PISTON RING SET (2ND O/S)	1	AP
	YF1-26272-11-01	PISTON RING SET (1ST O/S)	1	AP
3	YF1-26272-13-11	PIN PISTON (YF1-26272-13-10)	1	
4	YF1-39612-13-31	CIRCLIP (YF1-39612-13-30)	2	
5	YF1-26272-20-11	CONNECTING ROD ASSEMBLY (YF1-26272-20-10)	1	
6	YF1-26272-21-41	. BOLT, ROD (YF1-26272-21-40)	2	
7	YF1-26272-30-32	CRANKSHAFT ASSEMBLY	1	
	YF1-26272-30-32	CRANKSHAFT ASSEMBLY	1	7MC-800851~
8	YF1-29652-41-10	. GEAR, CRANKSHAFT	1	
9	YF0-58110-04-13	. KEY, WOODRUFF	1	
10	YF0-81030-62-05	BEARING, BALL (YF0-81030-62-06)	1	
11	YF0-81030-63-06	BEARING, BALL	1	7MC-800851~
	YF3-58904-12-80	BEARING, BALL	1	
12	YF1-39612-36-41	OIL SEAL (YF1-39612-36-40)	1	
13	YF1-39611-66-41	OIL SEAL (YF1-39611-66-40)	1	
14	YF1-36411-65-51	SHIM (YF1-36411-65-50)	1	UR
	YF1-36411-65-61	SHIM (YF1-36411-65-60)	1	UR
	YF1-36412-36-22	SHIM (YF1-36412-36-20)	1	UR
	YF1-36412-36-32	SHIM (YFM-36412-36-30)	1	UR
	YF1-36412-36-82	SHIM (YF1-36412-36-80)	1	UR

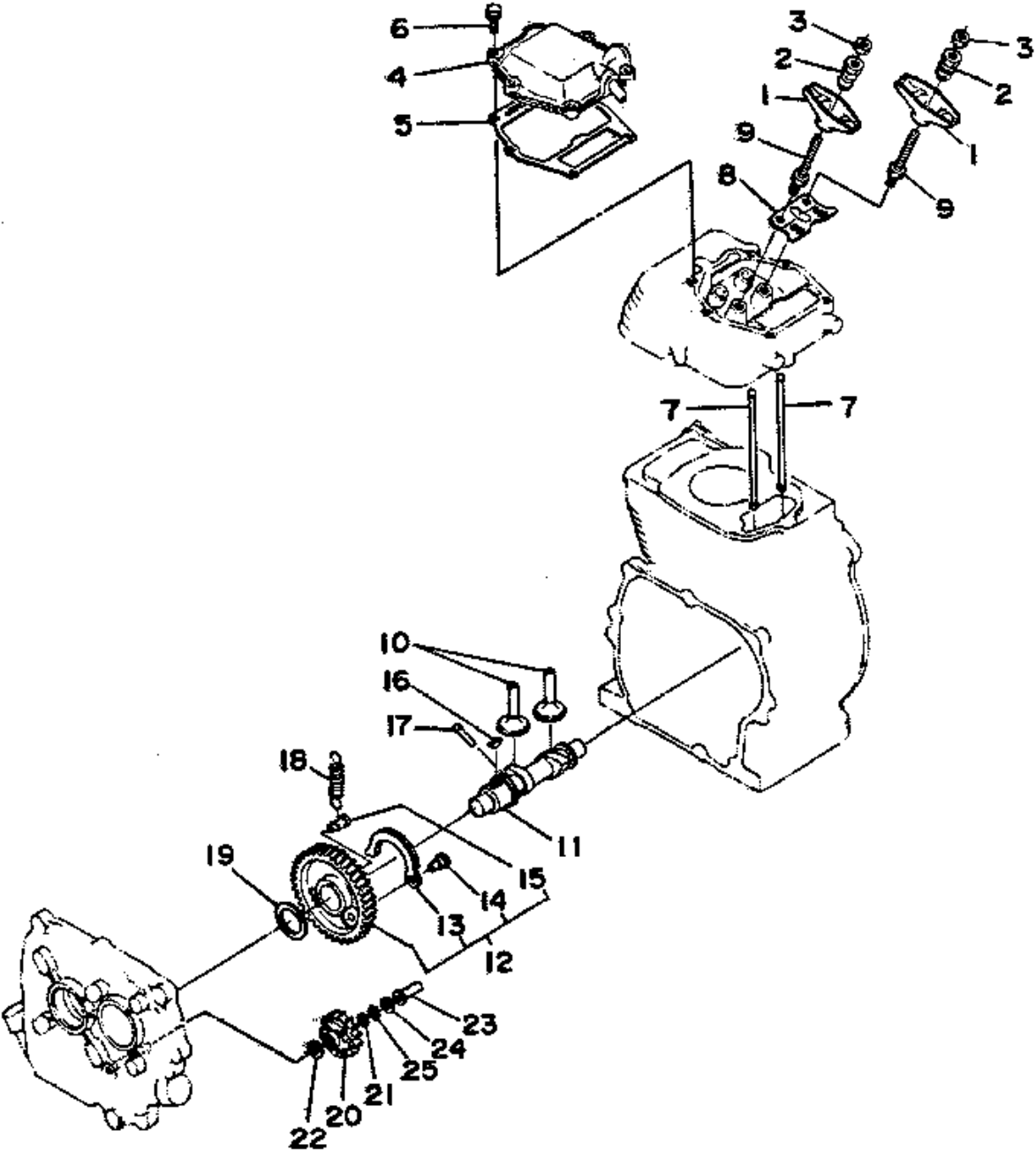
# CAMSHAFT - VALVE



Ref. No.	Part Number	Description	Qty	Remarks
1	YF1-26271-41-11	ROCKER ARM (YF1-26271-41-10) .....	2	
2	YF1-26271-42-31	NUT, ADJUSTING (YF1-26271-42-30) .....	2	
3	YF1-52611-42-41	NUT (YF1-52611-42-40) .....	2	
4	YF1-26271-45-01	COVER ASSEMBLY, CYLINDER HEAD (YF1-26271-45-00) .....	1	
5	YF1-26271-45-21	GASKET, HEAD COVER (YF1-26271-45-20) .....	1	
6	YF0-12025-06-25	BOLT .....	6	
7	YF1-26311-51-11	PUSH ROD (YF1-26311-51-10) .	2	
8	YF1-26271-51-41	GUIDE, PUSH ROD (YF1-26271-51-40) .....	1	
9	YF1-26279-10-11	BOLT (YF1-26279-10-10) .....	2	
10	YF1-26271-55-51	TAPPET (YF1-26271-55-50) ...	2	
11	YF1-26271-60-11	CAMSHAFT (YF1-26271-61-50)	1	
12	YF1-26271-65-00	GEAR COMP, CAMSHAFT ....	1	
13	YF1-26276-63-00	. FLY WEIGHT .....	1	
14	YF1-26216-63-20	. SHAFT, FLY WEIGHT .....	1	
15	YF1-21916-62-90	. PIN, DECOMP SPRING .....	1	
16	YF0-58110-04-13	KEY, WOODRUFF .....	1	
17	YF1-26276-62-70	PIN, DECOMPRESS .....	1	
18	YF1-23146-62-82	SPRING, DECOMPRESS (YF1-23146-62-80) .....	1	
19	YF1-36421-66-10	SHIM .....	1	UR
	YF1-39621-66-20	SHIM .....	1	UR
	YF1-39621-66-32	SHIM (YF1-39621-66-30) .....	1	UR
	YF1-39621-66-42	SHIM (YF1-39621-66-40) .....	1	UR
	YF1-39621-66-52	SHIM (YF1-39621-66-50) .....	1	UR
20	YF1-26275-52-91	GEAR COMP., GOVERNOR (YF1-39615-52-91) .....	1	

CONTINUED ON NEXT FRAME ►

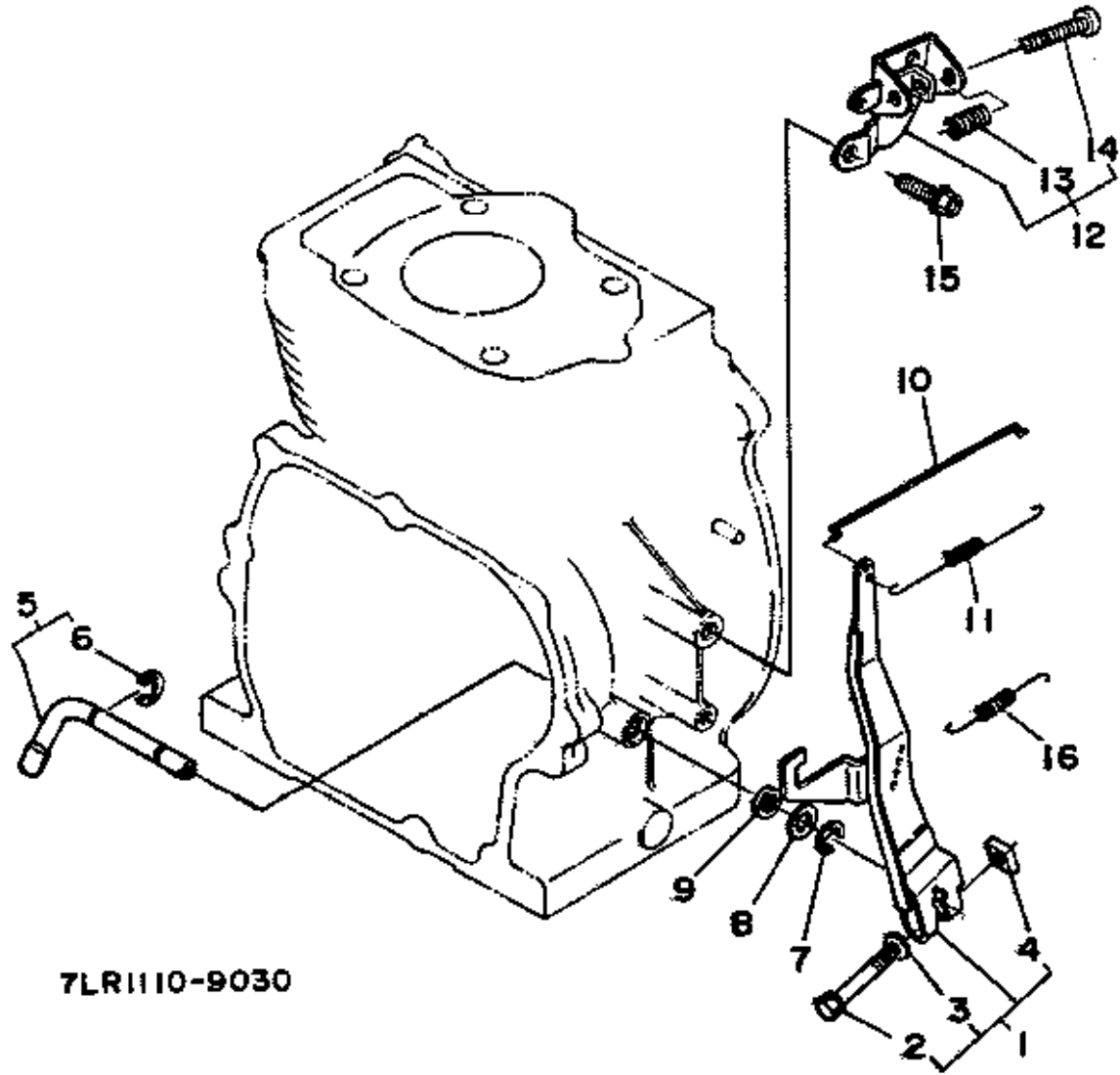
# CAMSHAFT - VALVE



71 R1110-9040

Ref. No.	Part Number	Description	Qty	Remarks
21	YF1-36415-53-33	WASHER .....	1	
22	90201-06057-00	WASHER, PLATE .....	1	
23	YF1-39615-54-51	SLEEVE, GOVERNOR (YF1-39615-54-50) .....	1	
24	YF1-26475-54-61	WASHER, THRUST (YF1-26475-54-60) .....	1	
25	YF1-36415-53-63	STOPPER .....	1	

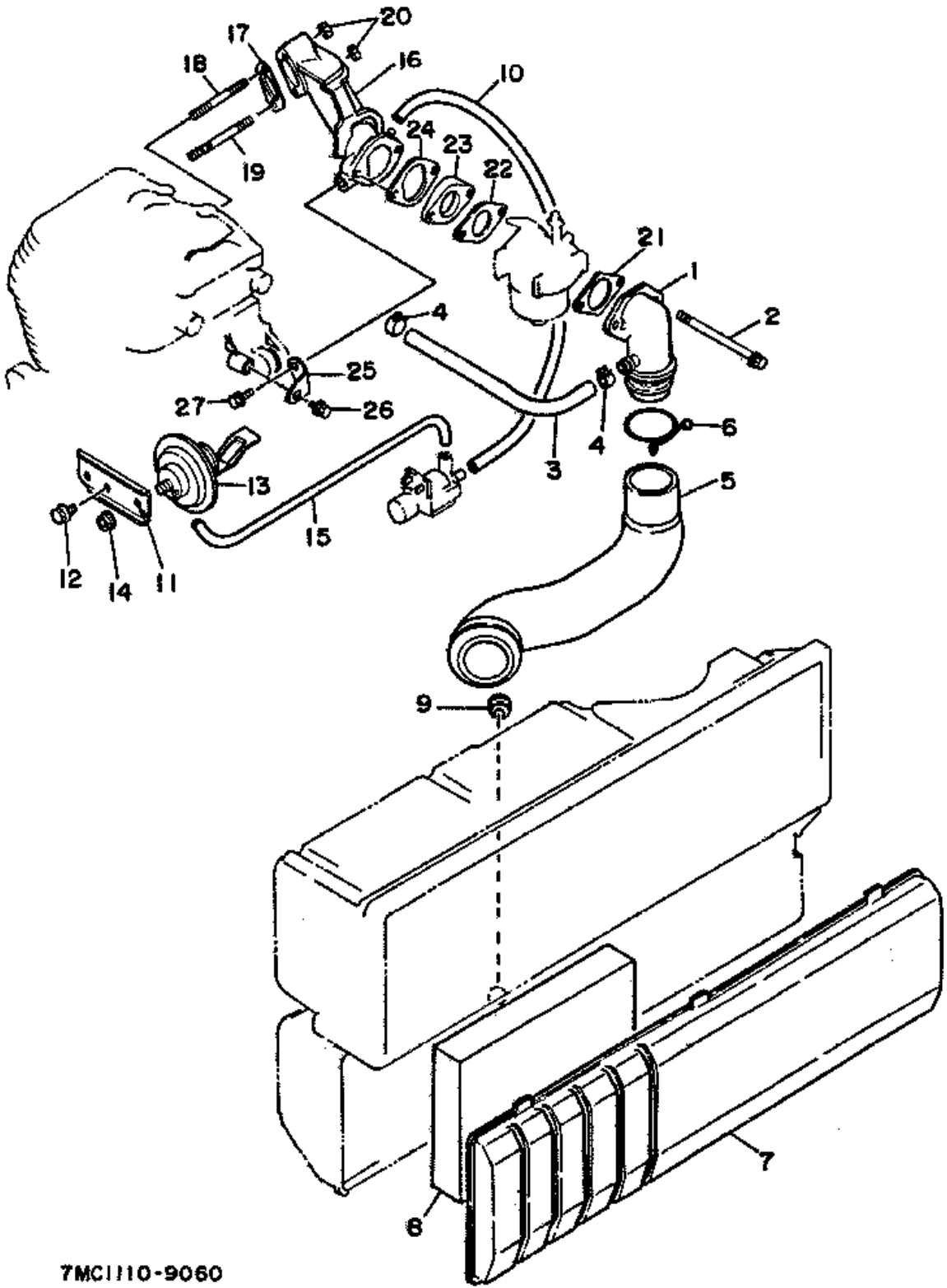
# GOVERNOR



Ref. No.	Part Number	Description	Qty	Remarks
1	YF1-26275-60-25	LEVER ASSEMBLY, GOVERNOR (YF1-26275-60-23)	1	
2	YF0-11235-08-35	. BOLT	1	
3	92990-08600-00	. WASHER, PLATE	1	
4	YF1-39619-20-20	. NUT	1	
5	YF1-26275-61-01	SHAFT ASSEMBLY, GOVERNOR LEVER (YF1-26275-61-00)	1	
6	YF0-46130-00-70	. CIRCLIP	1	
7	YF0-46130-00-70	CIRCLIP	1	
8	92990-08600-00	WASHER, PLATE	1	
9	YF1-36415-62-41	GASKET (YF1-36415-62-40)	1	
10	YF1-26275-63-51	ROD, GOVERNOR (YF1-26275-63-50)	1	
11	YF1-26275-63-91	SPRING, ROD (YF1-26275-63-90)	1	
12	YF1-26475-70-11	CONTROLLER ASSEMBLY (YF1-26475-70-10)	1	
13	YF1-26475-75-10	. SPRING	1	
14	YF0-30145-06-35	. SCREW, PAN HEAD	1	
15	YF1-31859-11-31	BOLT (YF1-31859-11-30)	1	
16	7LR-11925-01-00	SPRING, GOVERNOR	1	

7LR1110-9030

# AIR FILTER



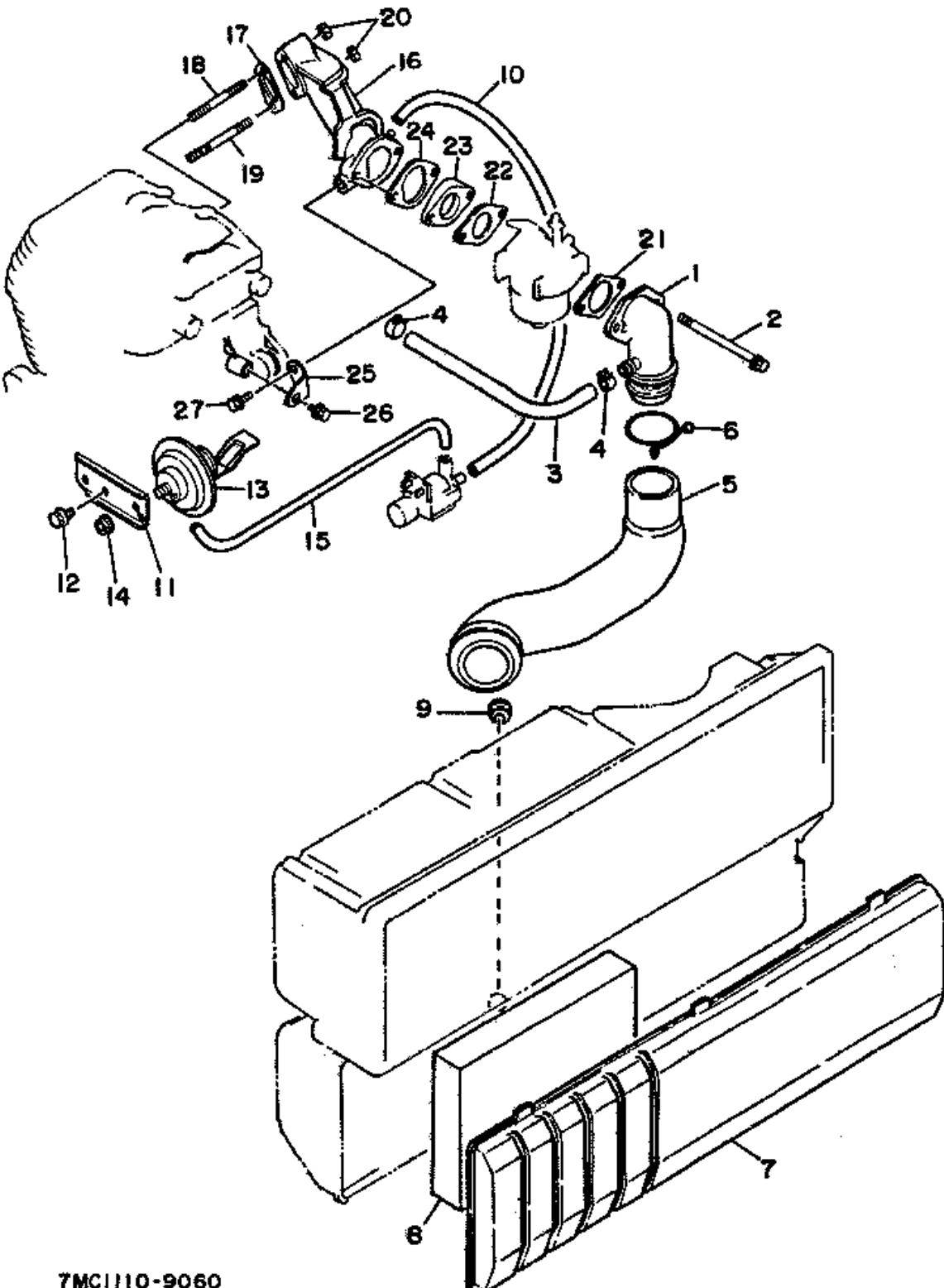
Ref. No.	Part Number	Description	Qty	Remarks
1	7LR-14453-00-00	JOINT, AIR CLEANER 1 .....	1	
2	95811-06090-00	BOLT, FLANGE .....	2	
3	90445-137F6-00	HOSE .....	1	
4	90467-11044-00	CLIP .....	2	
5	7LR-14463-00-00	JOINT, AIR CLEANER 2 .....	1	
6	90468-20128-00	CLIP .....	1	
7	7LR-14412-01-00	CAP, CLEANER CASE 1 (7LR-14412-00-00) .....	1	
8	7LR-14451-00-00	ELEMENT, AIR CLEANER ....	1	
9	90480-12012-00	GROMMET .....	1	
10	90445-082A9-00	HOSE .....	1	
11	7LR-11998-00-00	BRACKET 1 .....	1	
12	95811-06012-00	BOLT, FLANGE .....	2	
13	7LR-11960-00-00	DIAPHRAGM ASSEMBLY ....	1	
14	95701-08500-00	NUT, FLANGE .....	1	
15	90445-082A9-00	HOSE .....	1	
16	YF1-26271-18-01	MANIFOLD, INTAKE (YF1-26271-18-00) .....	1	
17	YF1-26271-18-21	GASKET, MANIFOLD (YF1-26271-18-20) .....	1	
18	YF1-26279-15-11	BOLT, STUD (YF1-26279-15-10)	1	
19	YF1-26279-15-21	BOLT, STUD (YF1-26279-15-20)	1	
20	90179-08491-00	NUT, FLANGE .....	2	
21	YF1-26271-15-11	GASKET, AIR CLEANER (YF1-26271-15-10) .....	1	
22	YF1-26274-61-11	GASKET, CARBURETOR (YF1-26274-61-10) .....	1	
23	YF1-26274-61-51	JOINT (YF1-26274-61-50) .....	1	
24	YF1-26274-61-61	GASKET (YF1-26274-61-60) ...	1	
25	YF1-26431-17-91	BRACKET (YF1-26431-17-90) ..	1	

CONTINUED ON NEXT FRAME ►

7MC1110-9060



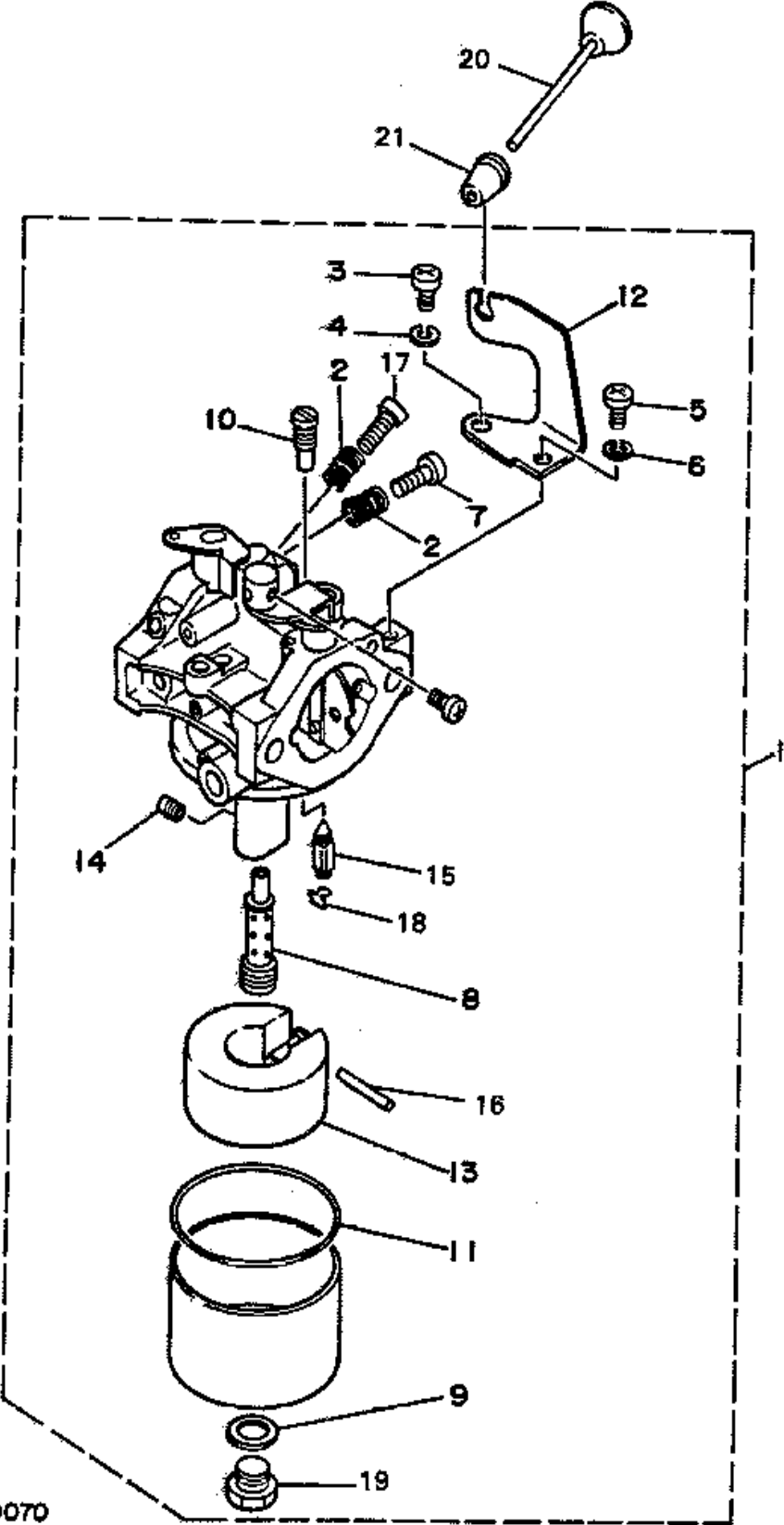
# AIR FILTER



Ref. No.	Part Number	Description	Qty	Remarks
26	YF1-39019-10-21	BOLT (YF1-39019-10-20)	1	
27	YK0-12025-06-12	BOLT	1	

7MC1110-9060

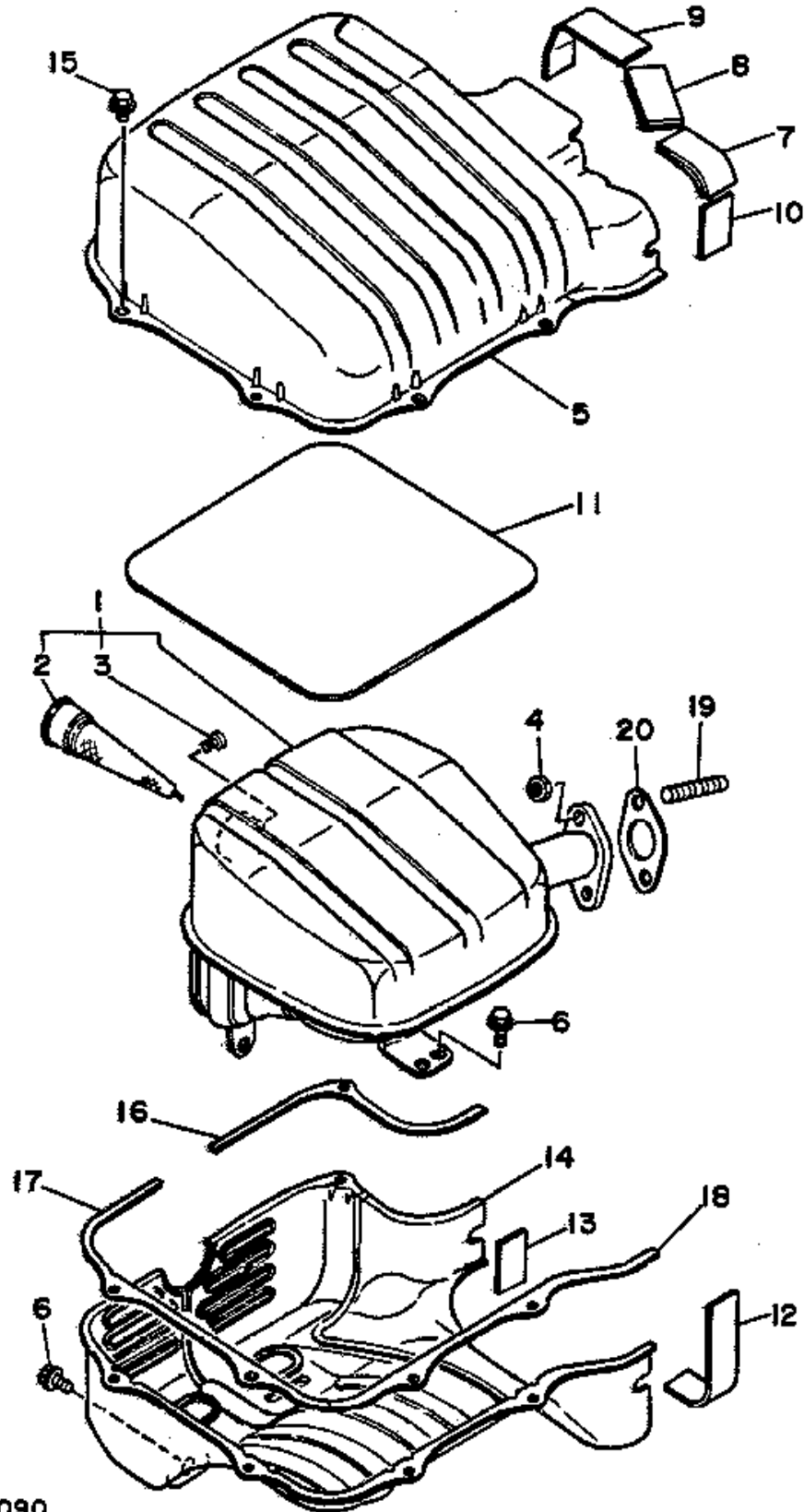
# CARBURETOR



Ref. No.	Part Number	Description	Qty	Remarks
1	YF1-26274-40-11	CARBURETOR ASSEMBLY 1 (7LR-14101-00-00)	1	
2	7E1-14275-00-00	. SPRING	2	
3	98580-05008-00	. SCREW, PAN HEAD (98501-05008-00)	1	
4	92990-05100-00	. WASHER, SPRING	1	
5	98511-04006-00	. SCREW, PAN HEAD (98501-04005)	1	
6	92901-04100-00	. WASHER, SPRING	1	
7	7LW-14216-00-00	. SCREW	1	
8	7LR-14941-30-00	. NOZZLE, MAIN	1	
9	127-14198-00-00	. GASKET	1	
10	620-14142-67-00	. JET, PILOT (#67.5)	1	
11	796-14184-00-00	. GASKET, FLOAT CHAMBER	1	
12	7LR-14291-00-00	. BRACKET 1	1	
13	7KY-14185-00-00	. FLOAT	1	
14	830-1423E-45-00	. JET, MAIN (#113.8)	1	
15	7KY-14150-00-00	. NEEDLE ASS'Y	1	
16	22F-14186-00-00	. PIN, FLOAT	1	
17	7LR-14211-00-00	. SCREW, PILOT ADJUSTING	1	
18	7E1-14159-00-00	. CLIP	1	
19	75J-14150-01-00	. BOLT, HOLDING	1	
20	796-14583-00-00	LEVER, CHOKE	1	
21	796-14445-00-00	GROMMET	1	

7LR1110-9070

# EXHAUST



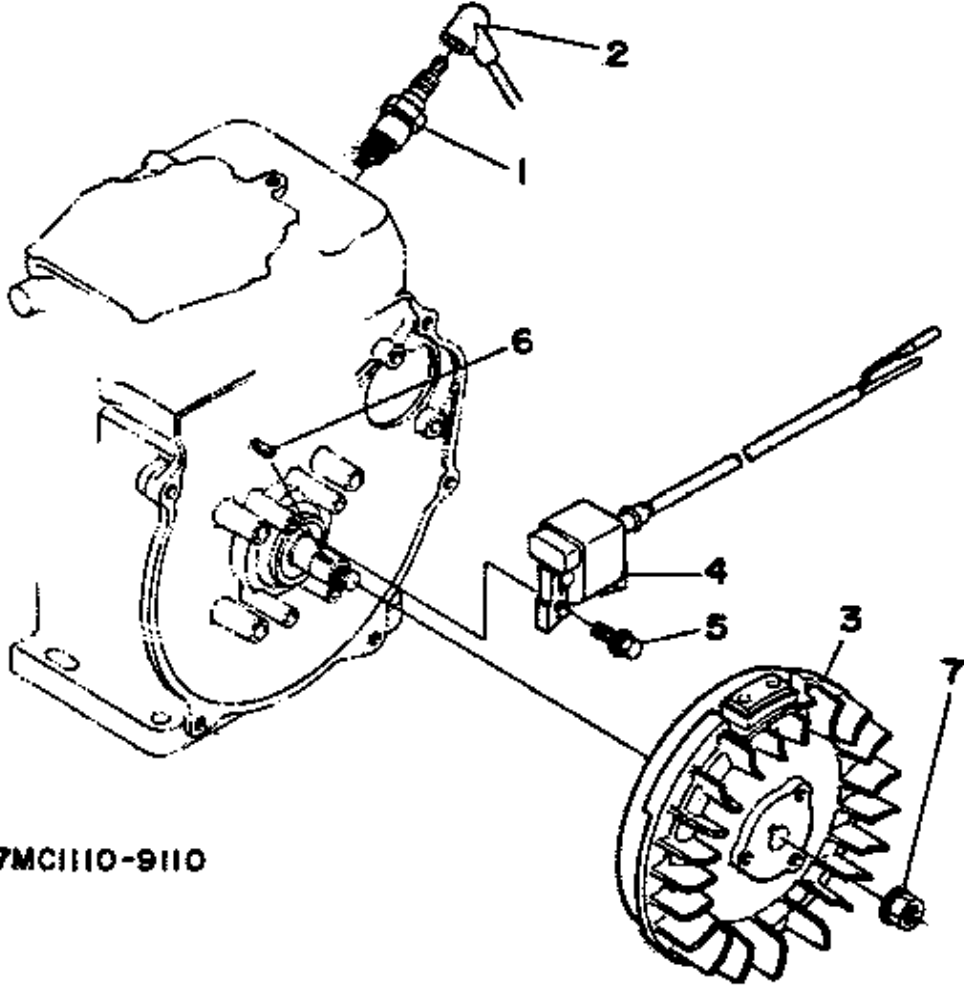
Ref. No.	Part Number	Description	Qty	Remarks
1	7LR-14780-00-00	SPARK ARRESTER ASSEMBLY	1	
2	7LR-14786-00-00	. ARRESTER, SPARK	1	
3	97701-40506-00	. SCREW, TAPPING	1	
4	95333-08600-00	NUT	2	
5	7LR-14718-00-98	PROTECTOR, MUFFLER 1	1	LOW GLOSS BLACK
6	95811-08016-00	BOLT, FLANGE	2	
7	7LG-22875-00-00	SEAL 3	2	
8	7LL-22875-00-00	SEAL 3	2	
9	7LR-22875-01-00	SEAL 3 (7LR-22875-00-00)	1	
10	7LV-22875-01-00	SEAL 3 (7LV-22875-00-00)	1	
11	7LR-22876-00-00	SEAL 4	1	
12	7LR-22875-01-00	SEAL 3 (7LR-22875-00-00)	1	
13	7LV-22875-01-00	SEAL 3 (7LV-22875-00-00)	1	
14	7LR-14728-00-98	PROTECTOR, MUFFLER 2	1	LOW GLOSS BLACK
15	95811-06012-00	BOLT, FLANGE	5	
16	7LR-1477K-01-00	PLATE 1 (7LK-1477K-00-00)	1	
17	7LR-1477L-01-00	PLATE 2 (7LR-1477L-00-00)	1	
18	7LR-1477M-01-00	PLATE 3 (7LR-1477M-00-00)	1	
19	YF1-39519-15-51	BOLT, STUD (YF1-39519-15-50)	2	
20	YF1-26271-22-31	GASKET, MUFFLER (YF1-26271-22-30)	1	

7LR1110-9090

# AIR SHROUD - STARTER(I - D - NOS: 7MC-

Ref. No.	Part Number	Description	Qty	Remarks
1	YF1-25276-10-81	STARTER ASSEMBLY .....	1	SEE NOTE
2	YF1-25276-15-11	. CASE, STARTER .....	1	SEE NOTE
3	YF1-25276-15-21	. DRUM, SHEAVE .....	1	SEE NOTE
4	YF1-39556-15-41	. SPRING, STARTER .....	1	SEE NOTE
5	YF1-36156-16-31	. CLIP, DRIVE PAWL (7X9-15743-00-00) .....	3	SEE NOTE
6	7R7-15741-00-00	. PAWL, DRIVE .....	3	SEE NOTE
7	73A-15716-00-00	. PLATE, DRIVE .....	1	SEE NOTE
8	7X9-15768-00-00	. BOLT .....	1	SEE NOTE
9	73A-15715-01-00	. SPRING, DRIVE PLATE .....	1	SEE NOTE
10	YF1-45316-16-51	. WIRE .....	1	SEE NOTE
11	YF1-25216-16-71	. HANDLE, STARTER .....	1	SEE NOTE
12	YF1-25276-17-41	PULLEY, STARTER .....	1	SEE NOTE
13	YF0-11235-08-14	BOLT .....	3	SEE NOTE
14	YF1-26277-40-41	CASE, FAN .....	1	SEE NOTE
15	YF1-26219-10-10	BOLT .....	5	SEE NOTE
16	YF1-26277-44-81	AIR SHROUD, CYLINDER .....	1	SEE NOTE
17	YF1-39219-10-41	BOLT (YF1-39219-10-40) .....	2	SEE NOTE
18	YF0-11235-08-14	BOLT .....	1	SEE NOTE
19	7LR-12652-00-00	AIR SHROUD, CYLINDER 2 ...	1	SEE NOTE
20	95811-08012-00	BOLT, FLANGE .....	2	SEE NOTE
26	92902-08100-00	WASHER, SPRING .....	1	SEE NOTE

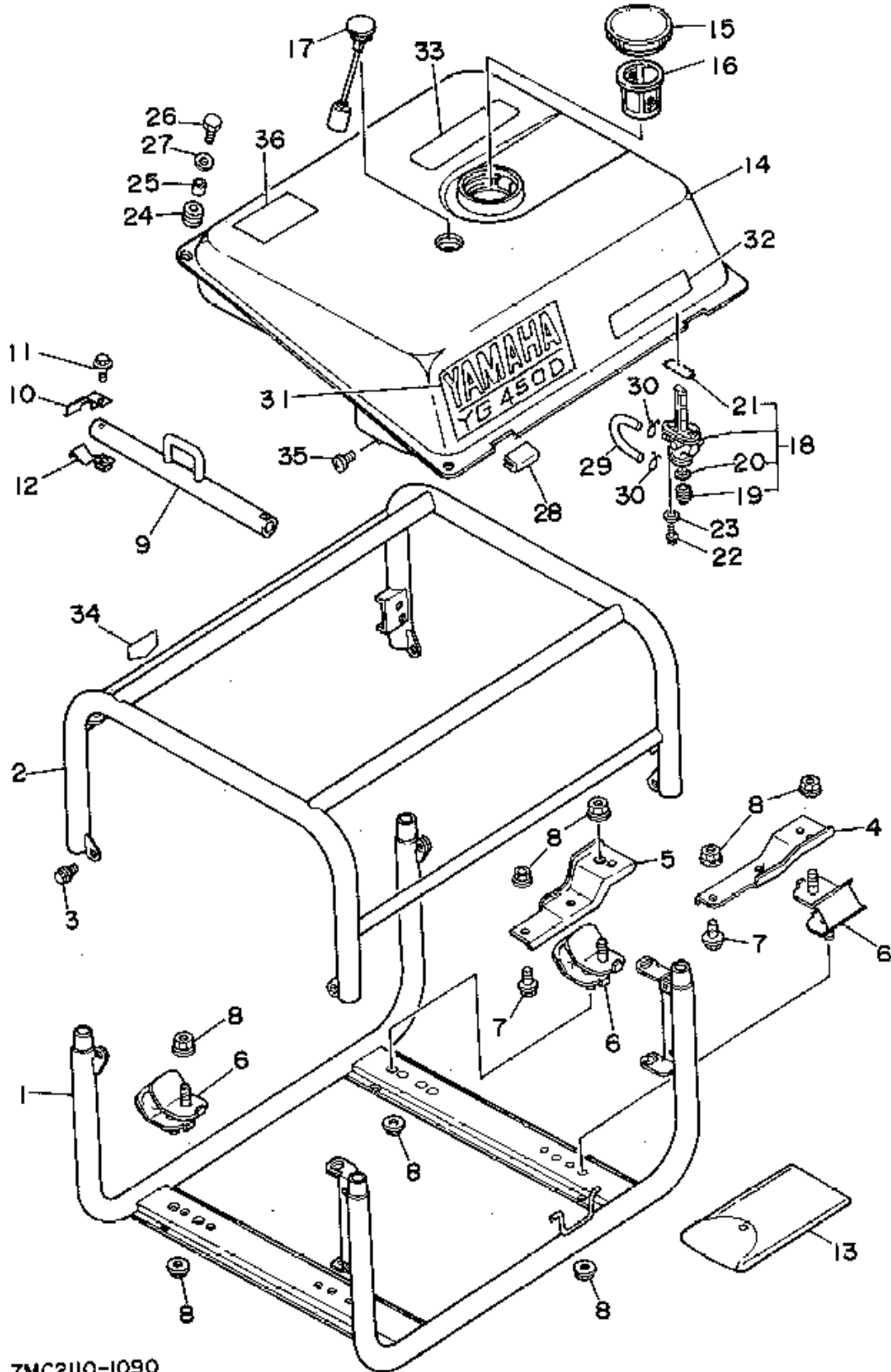
# MAGNETO



7MC1110-9110

Ref. No.	Part Number	Description	Qty	Remarks
1	NGK-BPR6H-S0-00	PLUG, SPARK (NGK BP6HS) ..	1	
2	YF1-39216-77-21	CAP, SPARK PLUG (YF1-39216-77-20) .....	1	
3	YF1-26226-70-30	FLYWHEEL COMP. (YF1-26276-70-31) .....	1	
4	YF1-26276-70-51	PLATE UNIT, TRANSISTOR (YF1-26276-70-50) .....	1	
5	YF1-38019-11-21	BOLT (YF1-38019-11-20) .....	2	
6	YF1-23319-52-31	KEY, WOODRUFF (YF1-23319-52-30) .....	1	
7	YF1-21919-21-11	NUT, FLANGE (YF1-21919-21-10) .....	1	

# FRAME - FUEL TANK



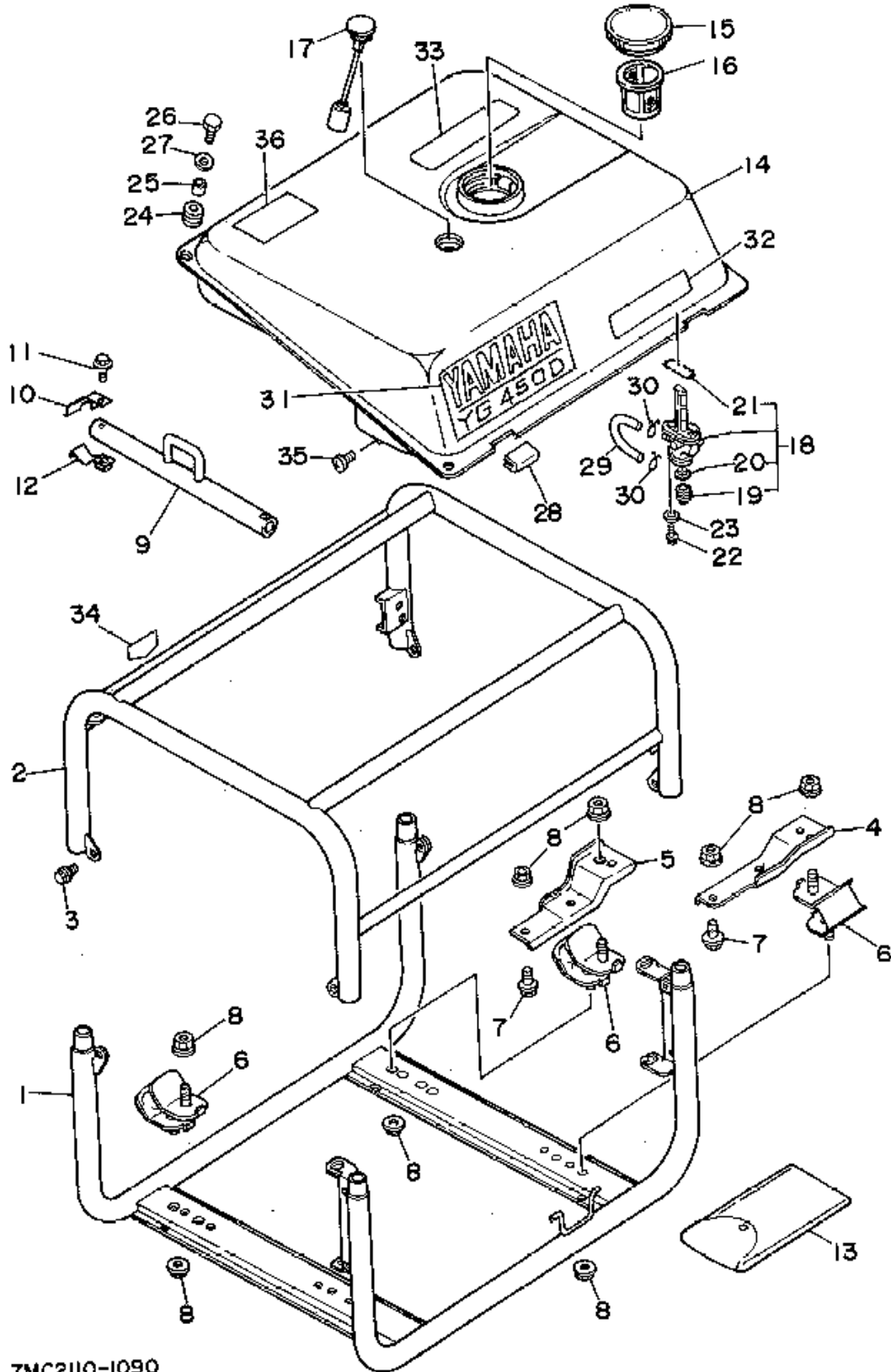
Ref. No.	Part Number	Description	Qty	Remarks
1	7LR-22840-00-00	FRAME COMP. ....	1	
2	7MC-22850-01-00	FRAME COMP. 2 ....	1	
3	95811-06012-00	BOLT, FLANGE ....	4	
4	7LR-11011-00-00	BRACKET, ENGINE 1 ....	1	
5	7LR-11012-00-00	BRACKET, ENGINE 2 ....	1	
6	7LR-22891-00-00	INSULATOR, MOUNTING ....	4	
7	95801-10035-00	BOLT, FLANGE ....	4	
8	95701-10500-00	NUT, FLANGE (95702-10500) ..	12	
9	7MC-11119-00-00	HANGER, ENGINE ....	1	
10	7MC-1112F-00-00	PLATE 2 ....	2	
11	95811-08035-00	BOLT, FLANGE (95821-08035) .	2	
12	7MC-1111F-00-00	PLATE ....	2	
13	79W-W2810-00-00	TOOL KIT ....	1	
14	7MC-24110-00-NJ	FUEL TANK COMP. ....	1	FARAWAY BLUE
15	7V5-24610-01-00	CAP ASSEMBLY ....	1	
16	630-24167-00-00	STRAINER ....	1	
17	73A-85710-01-00	FUEL LEVEL GAUGE ASSEMBLY ....	1	
18	7H5-24500-01-00	FUEL COCK ASSEMBLY 1 ...	1	
19	7J3-24521-00-00	. CUP, FILTER ....	1	
20	4X8-24565-00-00	. GASKET ....	1	
21	2W6-24512-00-00	. O-RING ....	1	
22	90149-06011-00	SCREW ....	2	
23	90202-05187-00	WASHER, PLATE ....	2	
24	90480-12475-00	GROMMET ....	2	
25	90387-08747-00	COLLAR ....	2	
26	97001-06020-00	BOLT ....	2	
27	90201-06765-00	WASHER, PLATE ....	2	
28	7LG-24181-00-00	DAMPER, LOCATING 1 ....	2	

CONTINUED ON NEXT FRAME ►

7MC2110-1090

YG450D

# FRAME - FUEL TANK

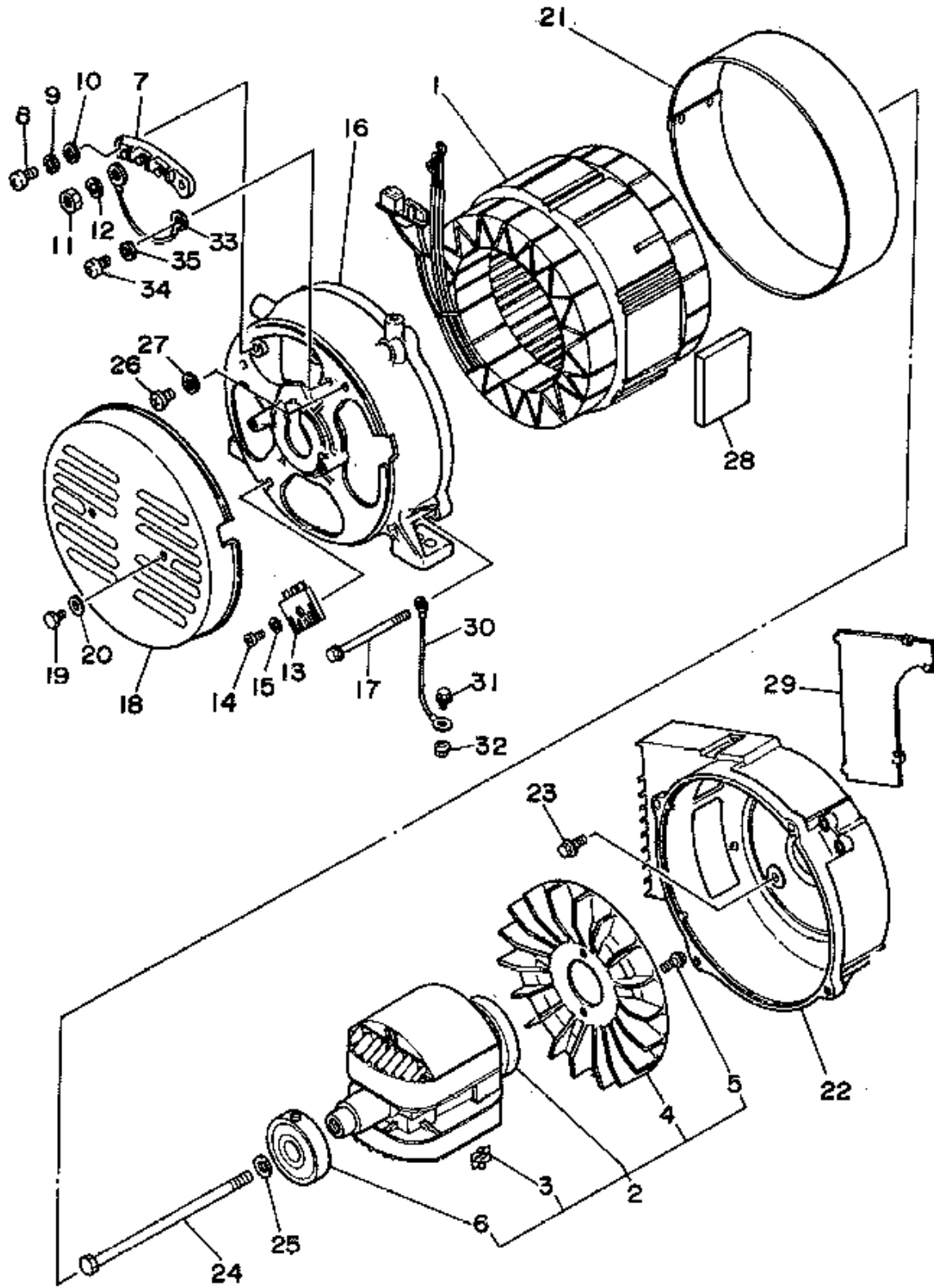


Ref. No.	Part Number	Description	Qty	Remarks
29	90445-10449-00	HOSE .....	1	
30	90467-09006-00	CLIP .....	2	
31	7MC-24161-10-00	EMBLEM 1 .....	1	
32	7MC-24164-00-00	EMBLEM 4 .....	1	
33	73T-24162-10-00	EMBLEM 2 .....	1	
34	7FL-2415A-10-00	LABEL, CAUTION .....	1	
35	98580-05010-00	SCREW, PAN HEAD .....	1	
36	73H-2415A-00-00	LABEL, CAUTION .....	1	

7MC2110-1090

YG450D

# GENERATOR



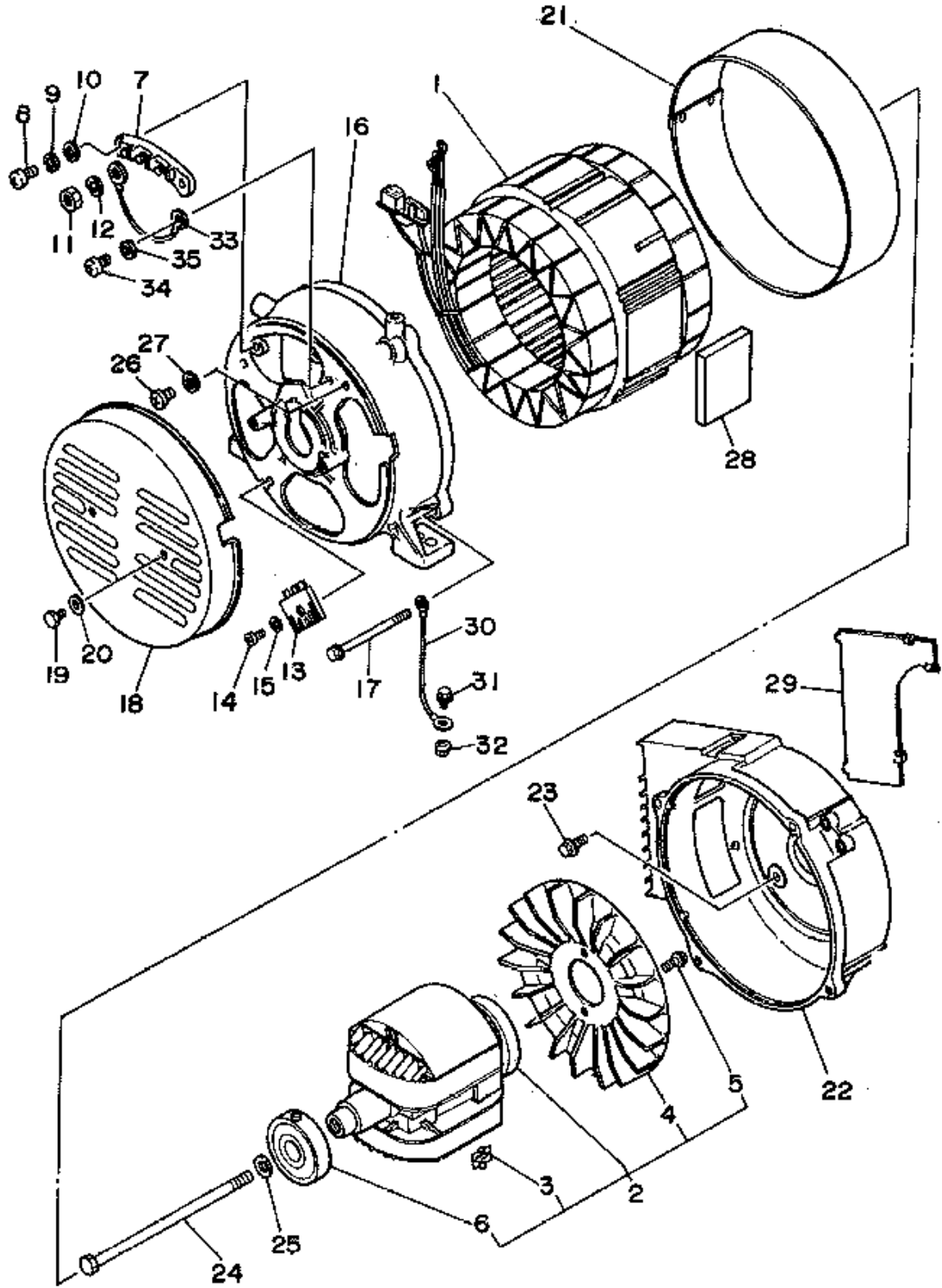
Ref. No.	Part Number	Description	Qty	Remarks
1	7LR-87150-90-00	STATOR ASSEMBLY (120-240V/60HZ)	1	
2	7LR-87160-00-00	ROTOR ASSEMBLY	1	
3	7FK-87115-01-00	. RECTIFIER ASSEMBLY 2	4	
4	7LR-87172-00-00	. FAN, GENERATOR	1	
5	90159-06056-00	. SCREW, WITH WASHER	2	
6	93306-37202-00	. BEARING	1	
7	7LR-87220-00-00	TERMINAL SUB ASSEMBLY 1	1	
8	98580-05016-00	SCREW, PAN HEAD	2	
9	92990-05100-00	WASHER, SPRING	2	
10	92901-05600-00	WASHER, PLATE	2	
11	95301-05700-00	NUT (95302-05700)	3	
12	92990-05100-00	WASHER, SPRING	3	
13	7H5-87105-01-00	RECTIFIER ASSEMBLY 1	1	
14	98580-05016-00	SCREW, PAN HEAD	1	
15	92901-05600-00	WASHER, PLATE	1	
16	7LR-87131-80-00	FRAME, REAR (7LR-87131-00-00)	1	
17	95822-06090-00	BOLT, FLANGE	4	
18	7LR-87174-00-NJ	COVER, REAR END	1	FARAWAY BLUE
19	97011-06010-00	BOLT	2	
20	92901-06600-00	WASHER	2	
21	7LR-87153-80-00	COVER, STATOR (7LR-87153-00-00)	1	
22	7LR-87121-00-00	FRAME, FRONT	1	
23	95821-08020-00	BOLT, FLANGE (95801-08020)	4	
24	97022-10200-00	BOLT	1	
25	92990-10600-00	WASHER, PLATE	1	
26	98580-05010-00	SCREW, PAN HEAD	1	
27	92901-05600-00	WASHER, PLATE	1	

CONTINUED ON NEXT FRAME ►

7MC2110-1120



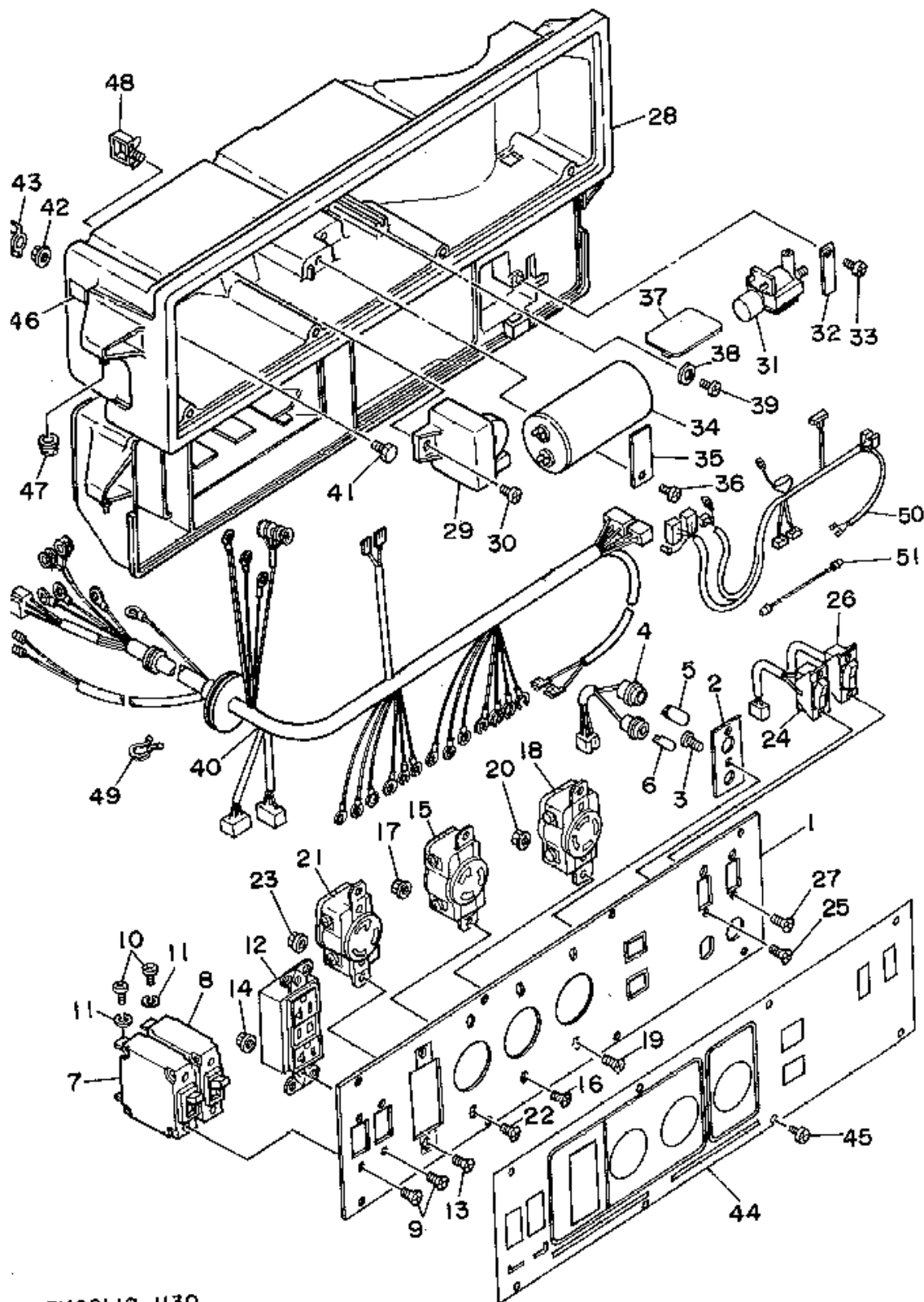
# GENERATOR



Ref. No.	Part Number	Description	Qty	Remarks
28	7LR-87159-00-00	SEAL, STATOR	4	
29	7LR-8718K-00-00	COVER, FRONT	1	
30	7LG-87139-80-00	LEAD WIRE ASSEMBLY 2	1	
31	95811-06010-00	BOLT, FLANGE	1	
32	95701-06500-00	NUT, FLANGE	1	
33	7LR-8722W-80-00	WIRE, LEAD 6	1	
34	98580-05010-00	SCREW, PAN HEAD	1	
35	92901-05600-00	WASHER, PLATE	1	

7MC2110-1120

# CONTROL BOX

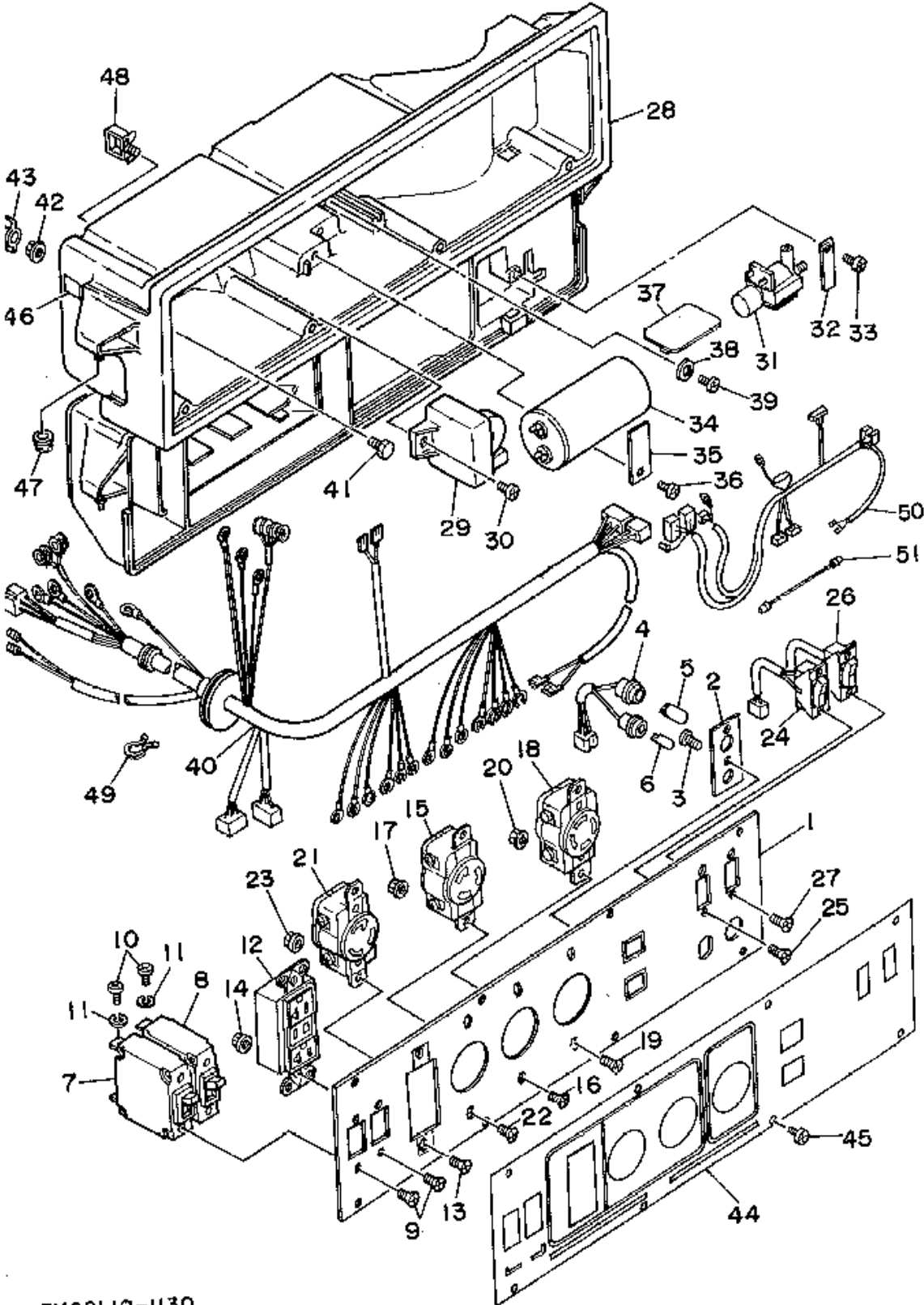


7MC2110-1130

Ref. No.	Part Number	Description	Qty	Remarks
1	7MC-87211-90-00	BOX, CONTROL .....	1	
2	7LG-87253-00-00	HOLDER, SOCKET .....	1	
3	97780-30110-00	SCREW, TAPPING .....	1	
4	7MB-83520-90-00	SOCKET CORD ASSEMBLY ..	1	
5	7LG-87254-00-00	BULB, PILOT LIGHT .....	1	
6	7LG-83531-00-00	BULB, PILOT .....	1	
7	7LR-87204-00-00	BREAKER COMP. (27.5A) ....	1	
8	7MC-87204-00-00	BREAKER COMP. (13.8A) ....	1	
9	98702-04008-00	SCREW, FLAT HEAD .....	4	
10	98580-06012-00	SCREW, PAN HEAD .....	4	
11	92990-06100-00	WASHER, SPRING .....	4	
12	73H-87221-90-00	CONSENT 1 (P&S 5-20R) .....	1	UR MATSUSHTA
	7MC-87221-A0-00	CONSENT 1 (P&S 5-20R) .....	1	UR
13	98701-04012-00	SCREW, FLAT HEAD .....	2	
14	95701-04500-00	NUT, FLANGE .....	2	
15	7LR-87221-90-00	CONSENT 1 (WCF63130B02) .	1	MATSUSHITA
16	98701-04012-00	SCREW, FLAT HEAD .....	2	
17	95701-04500-00	NUT, FLANGE .....	2	
18	73H-87222-70-00	RECEPTACLE 2 .....	1	UR P&S L14-20R
	7LR-87222-90-00	CONSENT 2 (WCF63420B02) ..	1	UR MATSUSHITA
19	98701-04012-00	SCREW, FLAT HEAD .....	2	
20	95701-04500-00	NUT, FLANGE .....	2	
21	7LL-87222-90-00	CONCENT 2 .....	1	MATSUSHITA
22	98701-04012-00	SCREW, FLAT HEAD .....	2	
23	95701-04500-00	NUT, FLANGE .....	2	
24	78G-82550-00-00	ENGINE STOP SWITCH ASSEMBLY .....	1	
25	98702-03006-00	SCREW, FLAT HEAD .....	2	
26	7LR-82567-90-00	SWITCH, THROTTLE .....	1	

CONTINUED ON NEXT FRAME ►

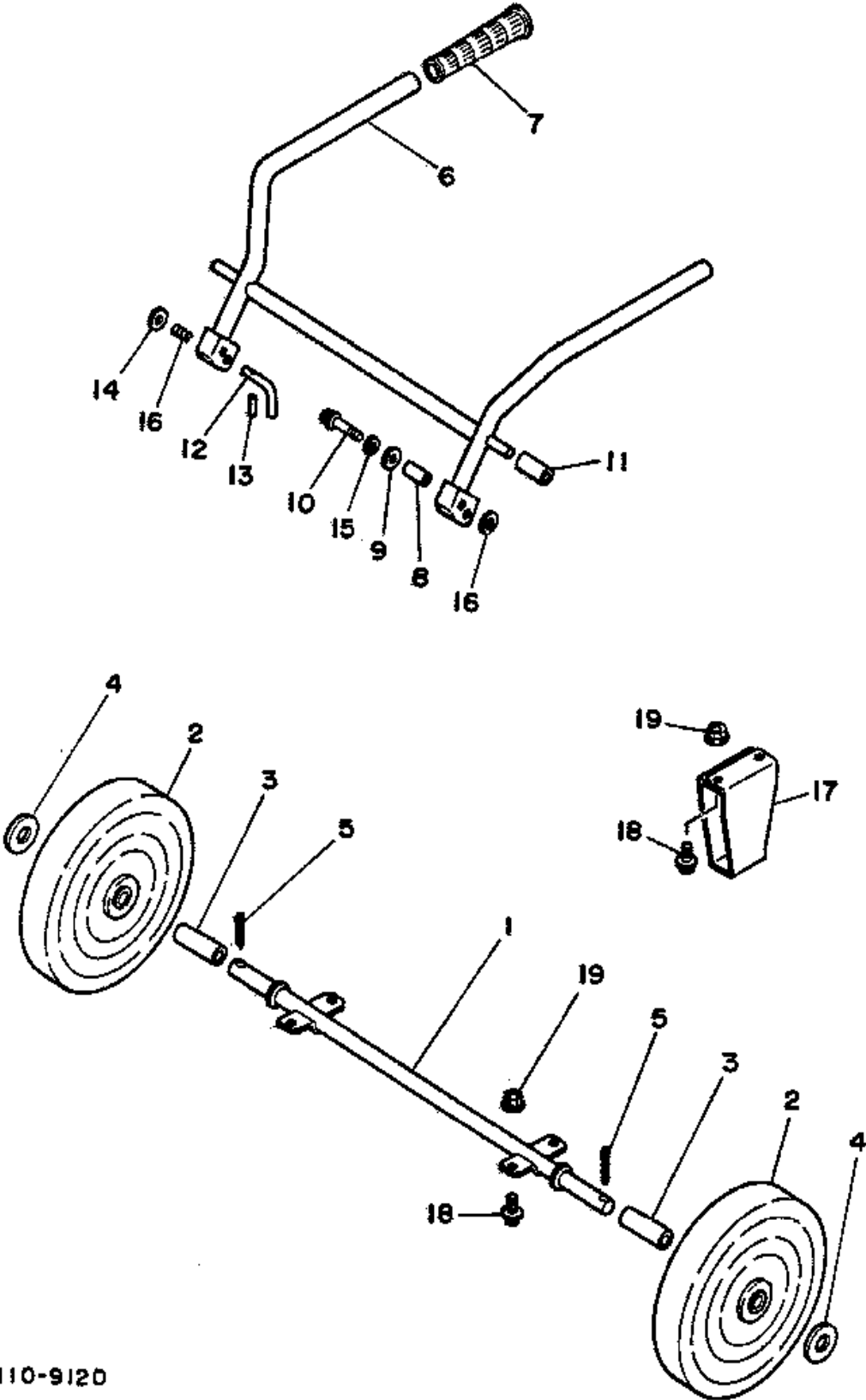
# CONTROL BOX



Ref. No.	Part Number	Description	Qty	Remarks
27	98702-03006-00	SCREW, FLAT HEAD .....	2	
28	7LV-87213-00-00	COVER, CONTROL BOX (7LP-87213-00-00) .....	1	
29	7AV-87286-00-00	SLOW DOWN UNIT ASSEMBLY	1	
30	97702-60120-00	SCREW, TAPPING (97702-60520-00) .....	1	
31	7LR-86120-90-00	SOLENOID VALVE ASSEMBLY	1	
32	7LR-86112-00-00	STAY, SOLENOID .....	1	
33	97780-50612-00	SCREW, TAPPING .....	1	
34	7LR-87107-00-00	CONDENSER ASSEMBLY .....	1	
35	7LR-87216-00-00	HOLDER, CONDENSER .....	1	
36	97780-50612-00	SCREW, TAPPING .....	1	
37	7LG-85690-00-00	OIL WARNING UNIT .....	1	
38	90201-03013-00	WASHER, PLATE .....	1	
39	97780-30110-00	SCREW, TAPPING .....	1	
40	7MC-87226-A0-00	WIRE HARNESS ASSEMBLY ..	1	
41	97001-06020-00	BOLT .....	1	
42	95701-06500-00	NUT, FLANGE .....	1	
43	90175-06008-00	NUT, WING .....	1	
44	7MC-87217-A0-00	PLATE, CONTROL .....	1	
45	97706-40516-00	SCREW, TAPPING .....	8	
46	7H6-87261-00-00	EMBLEM 1 .....	1	
47	90480-01401-00	GROMMET .....	4	
48	90464-16025-00	CLAMP .....	1	
49	90465-18147-00	CLAMP .....	1	
50	7LW-82509-G0-00	WIRE, SUB LEAD .....	1	
51	7MC-82507-K0-00	WIRE, LEAD .....	1	

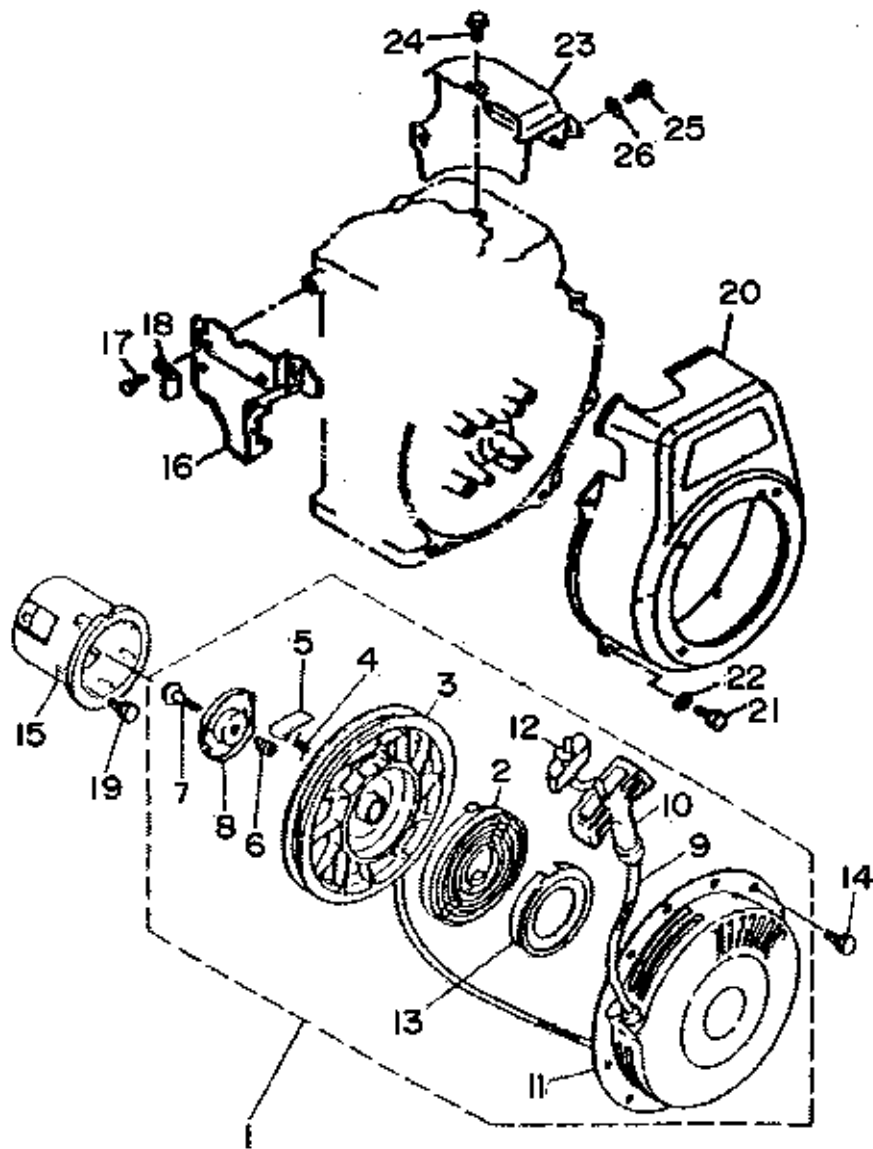
# FRONT WHEEL (OPTIONAL PARTS)

Ref. No.	Part Number	Description	Qty	Remarks
1	7LR-25381-00-00	AXLE, WHEEL .....	1	
2	73A-22846-10-00	CASTER 2 .....	2	
3	73A-25322-10-00	INSERT, SHAFT .....	2	
4	92901-20600-00	WASHER, WAVE .....	2	
5	91401-30040-00	PIN, COTTER .....	2	
6	7LR-26100-00-00	HANDLE ASSEMBLY .....	1	
7	801-26241-01-00	GRIP .....	2	
8	90387-080K6-00	COLLAR .....	2	
9	90206-12052-00	WASHER, WAVE .....	2	
10	95811-08045-00	BOLT, FLANGE (JN5) .....	2	
11	90445-162A0-00	HOSE .....	2	
12	73A-26112-10-00	BAR, HANDLE .....	1	
13	91609-30016-00	PIN, SPRING .....	1	
14	90201-08624-00	WASHER, PLATE .....	1	
15	90201-08730-00	WASHER, PLATE .....	2	
16	90501-10264-00	SPRING, COMPRESSION .....	1	
17	7LR-27111-01-00	STAND, MAIN .....	2	
18	95811-08016-00	BOLT, FLANGE .....	8	
19	95701-08500-00	NUT, FLANGE .....	8	



7LR1110-912D

# AIR SHROUD - STARTER (I - D - NOS: 7M



Ref. No.	Part Number	Description	Qty	Remarks
1	YFE-61026-10-81	STARTER ASSEMBLY .....	1	SEE NOTE
2	YF1-26476-15-41	. SPRING, STARTER .....	1	SEE NOTE
3	YF1-20046-15-21	. DRUM, SHEAVE .....	1	SEE NOTE
4	YF1-36156-16-31	. CLIP, DRIVE PAWL (7X9-15743-00-00) .....	2	SEE NOTE
5	YF1-26476-15-31	. PAWL, DRIVE .....	2	SEE NOTE
6	YF1-36266-18-51	. SPRING, DRIVE PLATE .....	1	SEE NOTE
7	YF1-27636-18-71	. BOLT .....	1	SEE NOTE
8	YF1-26476-16-21	. PLATE, DRIVE .....	1	SEE NOTE
9	YF1-20046-16-51	. WIRE .....	1	SEE NOTE
10	YF1-25216-16-71	. HANDLE, STARTER .....	1	SEE NOTE
11	YF1-20046-15-51	. CASE, STARTER .....	1	SEE NOTE
12	YF1-21846-17-11	. CONNECTOR .....	1	SEE NOTE
13	YF1-26476-16-01	. CASE, SPRING .....	1	SEE NOTE
14	YF0-17545-06-08	. BOLT (7LG-15768-01-00) .....	4	SEE NOTE
15	YF1-26096-17-41	PULLEY, STARTER .....	1	SEE NOTE
16	7LR-12652-00-00	AIR SHROUD, CYLINDER 2 ...	1	SEE NOTE
17	95811-08012-00	BOLT, FLANGE .....	2	SEE NOTE
18	90465-06100-00	CLAMP .....	2	SEE NOTE
19	YF0-11235-08-14	BOLT .....	3	SEE NOTE
20	YF1-26277-40-41	CASE, FAN .....	1	SEE NOTE
21	97011-08016-00	BOLT .....	5	SEE NOTE
22	92990-08600-00	WASHER, PLATE .....	5	SEE NOTE
23	YF1-26277-44-81	AIR SHROUD, CYLINDER .....	1	SEE NOTE
24	90109-06513-00	BOLT .....	2	SEE NOTE
25	97011-08016-00	BOLT .....	1	SEE NOTE