



# PARTS CATALOGUE

## GENERATOR

**YG550D (7ME2)**

**YG650D (7MD2)**

**YG650DE (7MD2)**

Serial No..	YG550D : 7ME-030101 and following YG650D : 7MD-030101 and following YG650DE : 7MD-030101 and following
-------------	--

COLOR CODE	COLOR NAME	ABBREVIATION
ONJ	FARAWAY BLUE	FWB

# FOREWORD

## -INTRODUCTION- To The Yamaha Parts Fiche

This parts fiche lists parts and sub-assemblies for the YG550D/YG650D/DE. When preparing a parts order, please refer to the most recently updated microfiche for this model.

### THE YAMAHA PARTS FICHE

#### SYMBOLS

[ ]	Inactive, no longer available
U.R.	Use size (thickness) and/or number as required
U.N.	Use as many as you need
T	Number of teeth in a gear
V	Voltage for light bulbs
S	"S" type oil seal or "S" type circlip
SD,SO,SW	"SD", "SO", or "SW" type oil seal
E,R	"E" or "R" type circlip
F/No.	Frame No. (Applicable Machine No.)
L.M.	Locally made
O.L.	Obtain locally
AP	Alternate Part

#### SUPERSEDED PART NUMBERS

If part 'A' has been superseded by part 'B', the superseding part number "B" will appear in the part number listing with the superseded part number "A" appearing in parentheses immediately following the description.

#### EXAMPLE:

Ref. No.	Part No.	Description	Qty.
	(Part 'B')	(Part 'A')	
8	796-15711-05-86	CASE, STARTER (796-15711-03-86) ..... 1	

A part that has been supersede to a kit may be identified by a 99999-00000-00 part number appearing in the part number column. The old superseded part number will appear in parentheses immediately following the description. Listed directly below the 99999 part number will be those parts making up the kit. The description of the parts making up the kit will be preceded by a small black dot (.) and the description will be indented one letter space.

#### EXAMPLE:

Ref. No.	Part No.	Description	Qty.
8	99999-12345-00	CYLINDER (111-12345-00-00) ..... 1	
	234-56789-00-00	• HEAD, CYLINDER ..... 1	

#### SIZES

Except for steel balls (ball sizes are indicated in inches), all parts sizes are indicated in millimeters as in the following examples:

Hose (Rubber or Vinyl) .....	Inside Diameter - Length
O-Ring .....	Section Area - Inside Diameter
Washer, Shim, Collar.....	Inside Diameter - Outside Diameter Thickness (Length)

#### ASSEMBLIES AND COMPONENT PARTS

Assemblies and their component parts, are identified by an indentation of one letter space, and the description is preceded by a dot (.). If two main assemblies are listed, and have the same basic description (i.e.: left and right sides of the same assembly), one will immediately follow the other. If each of these main assemblies is made up of almost the same components, these component parts will be listed immediately under the second main assembly line and will be indicated, as noted above.

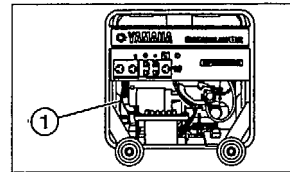
If the component is the same for both main assemblies, the quantity indicated will be the total required. If the component is not the same for both main assemblies, the quantity for each separate item will be listed separately.

#### EXAMPLE:

Description	Qty
CARBURETOR ASSY, LEFT .....	1
CARBURETOR ASSY, RIGHT .....	1
. JET, PILOT .....	2
. NOZZLE, MAIN .....	2
. LEVER, STARTER, LEFT .....	1
. LEVER, STARTER, RIGHT .....	1

#### APPLICABLE SERIAL NO.

(1) Serial No.

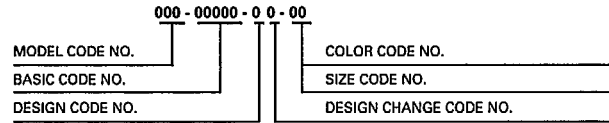


# FOREWORD

## THE YAMAHA PART NUMBER

The Yamaha part number consists of 12 digits. Each number represents a specific piece of information relating to a replacement part. The following is a guide for reading and interpreting the Yamaha part number.

### BASIC PART NUMBER CONFIGURATION:



### MODEL CODE NUMBER

FIRST THREE DIGITS . . . 000-00000-00-00

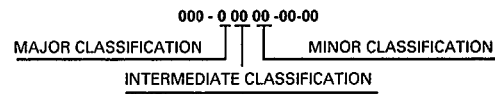
Every model in each Yamaha product line is assigned a model number to identify that particular model. All component parts are given the model code number relating to the model on which they were first used.

Example: 7J0-00000-00-00 identifies the EF2000.  
7J4-00000-00-00 identifies the EF2800.

### BASIC CODE NUMBER

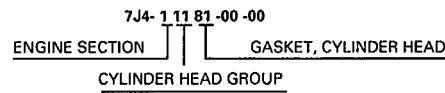
MIDDLE FIVE DIGITS . . . 000-00000-00-00

These "Middle Five Digits" indicate the type of part i.e., piston, rings, lower units, etc. The five digits are broken down as follows:



The "Major Classification" indicates the section to which the parts belong, i.e., engine, electrical etc. The "Intermediate" and "Minor Classifications" indicate more specific details.

Example:



### DESIGN CODE NUMBER: 000-00000-00-00

The design code distinguishes like component parts from one another when specification differences are involved. For example, distinguishing a standard size piston ring from an oversized piston ring.

Example:

7J4-11610-00-00 Standard Piston Ring Set for EF2800  
7J4-11610-01-00 Oversize Piston Ring Set for EF2800

### DESIGN CHANGE CODE NUMBER: 000-00000-00-00

This code number is used to identify a difference between a new component part and old one when a new part is created by changing the old one.

Example: EF2800

7J4-11610-00-00 PISTON RING SET, STD. - ORIGINAL  
7J4-11610-01-00 PISTON RING SET, STD. - FIRST DESIGN CHANGE

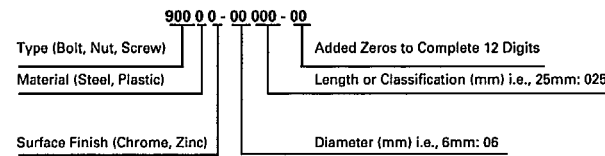
Only major changes to performance, durability, quality, appearance, cost or interchangeability will affect a part number change.

### COLOR CODE & SIZE CODE NUMBER: 000-00000-00-00

When applicable, the last two digits of the part number identify:

1. Color Code: The painted color or type of plating or surface treatment used on certain parts.
2. Size Code: The last two digits are also used to show the size of parts (mm). Such as the thickness of shims or the size of pistons.

### HARDWARE (Fastener) PART NUMBER CONFIGURATION:



### TYPE:

A fastener part number always begins with the number "9" followed by either a 0, 1, 2, 3, 4, 5, 6, 7 or 8 designating one of eight major divisions within this group.

# FOREWORD

## Example:

- 9 0 000-00000-00 "0" designates various types.
- 9 1 000-00000-00 "1" designates bolts, cotter pins, etc.
- 9 2 000-00000-00 "2" designates screw, nuts, etc.
- 9 3 000-00000-00 "3" designates oil seals, o-rings, bearings, etc.
- 9 4 000-00000-00 "4" designates spark plugs.
- 9 5 000-00000-00 "5" designates bolts and nuts.
- 9 7 000-00000-00 "7" designates ISO bolts.
- 9 8 000-00000-00 "8" designates ISO screws and nuts.

The only major divisions which the mechanic should become familiar with are those related to the general hardware (nuts, bolts, and washers), since these are the most commonly used and most often replaced items. By knowing how to interpret the part number, the dimensions of a piece of hardware can be determined. This can be very helpful during major engine repair, and general parts replacement.

## BOLT EXAMPLE:

91311 - 06 018 - 00

6mm outside diameter | 18mm in length

## EXCEPTION:

It is NOT possible to identify the LENGTH of bolts having a 901 prefix. Only the bolt diameter can be identified with this number.

## NUT AND WASHER EXAMPLE:

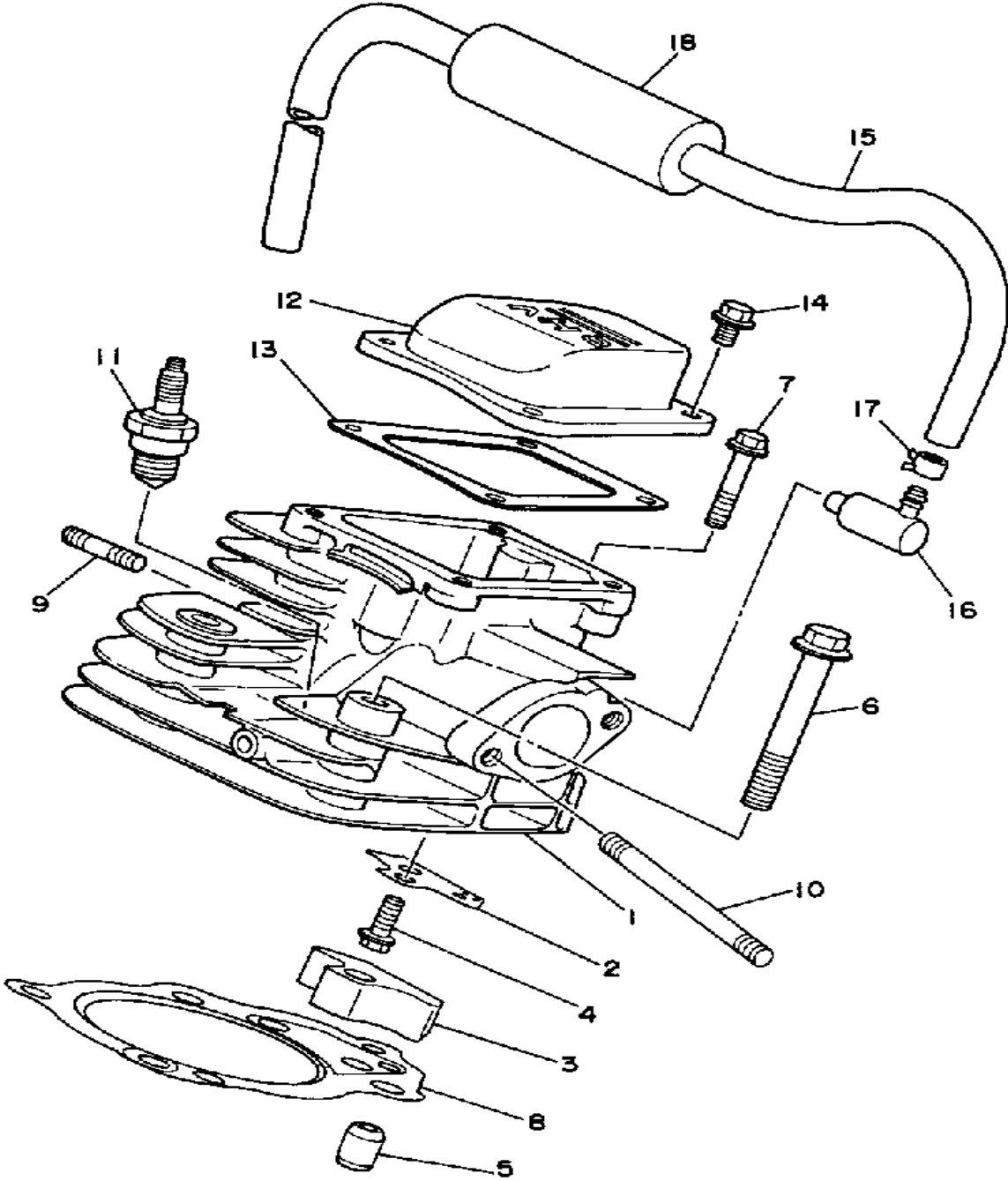
95301 - 08600 - 00 NUT

8mm inside diameter

90201 - 25290 - 00 WASHER

25mm inside diameter

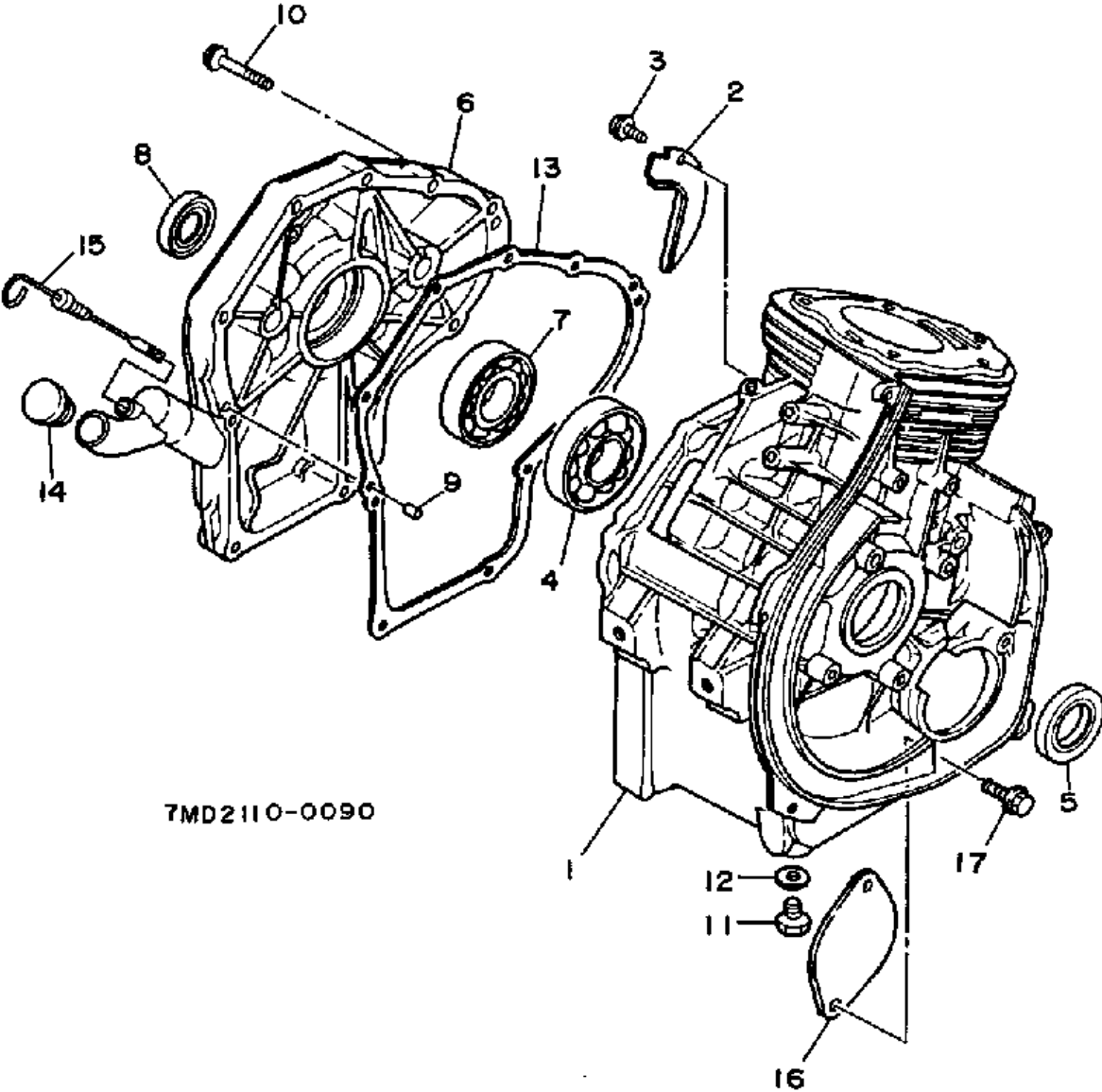
# CYLINDER 1



Ref. No.	Part Number	Description	Qty	Remarks
1	7LV-11102-10-00	CYLINDER HEAD ASSEMBLY	1	
2	7LV-11165-01-00	PLATE, BREATHER	1	
3	7LV-11163-01-00	ELEMENT	1	
4	(90109-06514-00)	BOLT	1	
5	99510-14016-00	PIN, DOWEL	2	
6	95811-10070-00	BOLT, FLANGE	4	
7	95811-06045-00	BOLT, FLANGE	1	
8	7KY-11181-01-00	GASKET, CYLINDER. HEAD	1	
9	95622-08630-00	BOLT, STUD	2	
10	90116-08513-00	BOLT, stud	2	
11	NGK-BPR4E-S0-00	PLUG, SPARK	1	
12	7KY-11191-00-00	COVER, CYLINDER.HEAD 1	1	
13	7KY-11193-00-00	GASKET, HD.COVER 1	1	
14	95811-06012-00	BOLT, FLANGE	4	
15	7LV-15373-10-00	PIPE, BREATHER	1	
16	7KY-15148-00-00	NOZZLE 2	1	
17	90467-13064-00	CLIP	1	
18	7LV-15333-00-00	COVER	1	

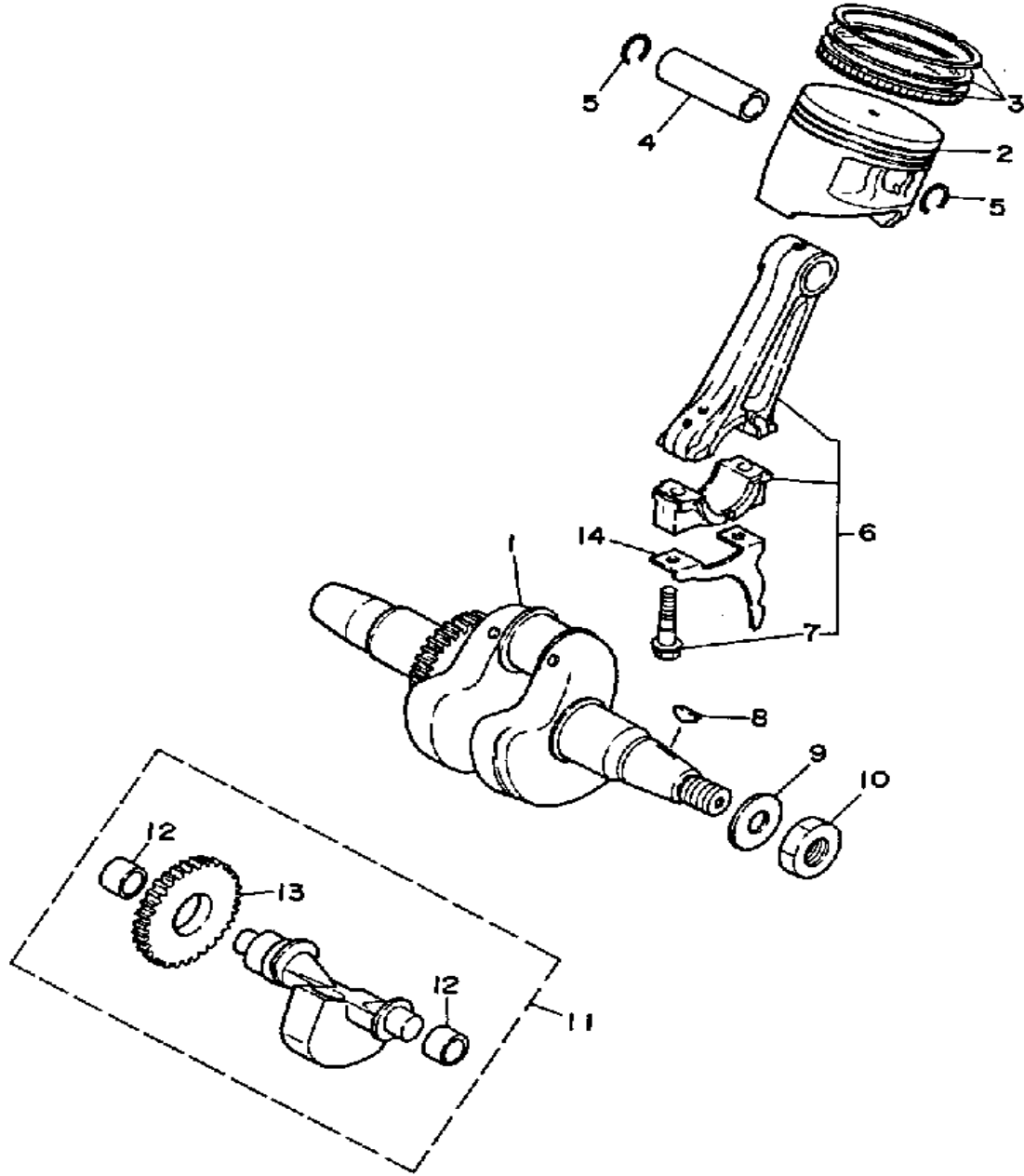
7LV2110-0010

# CRANKCASE 1



Ref. No.	Part Number	Description	Qty	Remarks
1	7LV-15111-01-00	CRANKCASE 1 (7LV-15111-00)	1	
2	7KY-15123-00-00	PLATE, BUFFLE 1	1	
3	90159-05117-00	SCREW, W/WASHER (J38)	2	
4	93306-30713-00	BEARING	1	
5	93102-35191-00	OIL SEAL	1	
6	7LV-15410-00-00	CRCS COVER ASSEMBLY L	1	
7	93306-20716-00	BEARING (93306-20714)	1	
8	93102-35319-00	OIL SEAL, SD-TYPE	1	
9	93608-12063-00	PIN, DOWEL	2	
10	95811-08045-00	BOLT, FLANGE (95801-08045)	10	
11	97001-12020-00	BOLT	1	
12	812-11198-00-00	GASKET	1	
13	7KY-15451-00-00	GASKET, CRCS COVER	1	
14	7LV-15363-01-00	PLUG, OIL	1	
15	7LV-15361-01-00	GAUGE, LEVEL	1	
16	7LV-15113-10-00	PLATE	1	
17	95811-08035-00	BOLT, FLANGE	2	

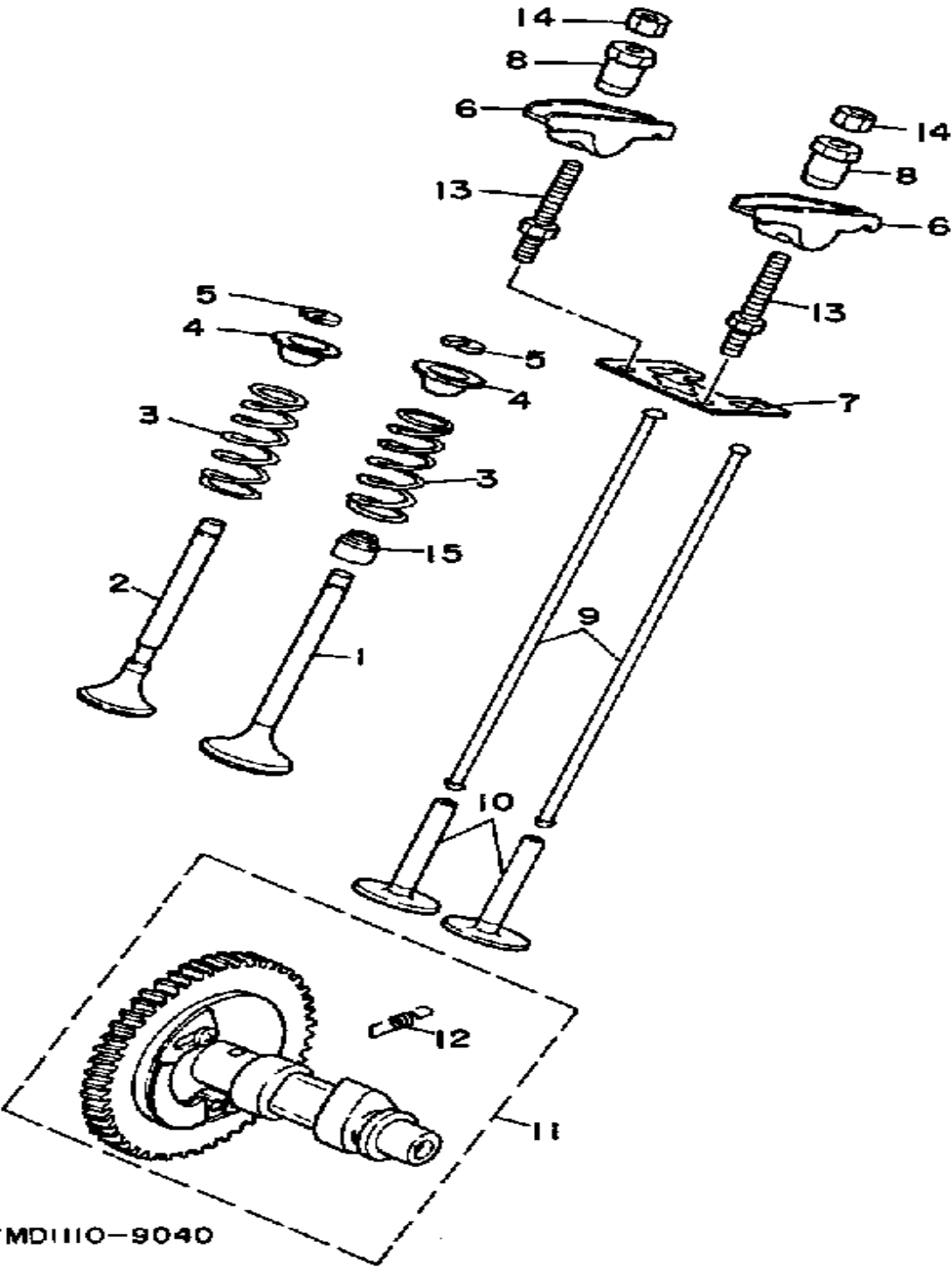
# CRANKSHAFT - PISTON 1



Ref. No.	Part Number	Description	Qty	Remarks
1	7LV-11400-00-00	CRANKSHAFT ASSEMBLY ...	1	
2	JA1-11631-00-A0	PISTON STD .....	1	
	JA1-11635-00-00	PISTON 1ST O/S (0.25MM O/S)	1	AP
	JA1-11636-00-00	PISTON 2ND O/S (0.50MM O/S)	1	AP
3	7LV-11610-00-00	PISTON RING, STD .....	1	
	7LV-11610-10-00	PISTON RING, 1ST OS (1ST O/S) .....	1	AP
	7LV-11610-20-00	PISTON RING, 2ND OS (2ND O/S) .....	1	AP
4	7KY-11633-01-00	PIN, PISTON .....	1	
5	93450-22027-00	CIRCLIP .....	2	
6	7KY-11650-01-00	CONNECTING ROD ASSEMBLY	1	
7	7KY-11654-00-00	BOLT, CON ROD .....	2	
8	90280-16053-00	KEY, WOODRUFF (90280-05048-00) .....	1	
9	90201-18620-00	WASHER, PLATE .....	1	
10	90170-18332-00	NUT, HEXAGON .....	1	
11	7KY-11500-00-00	BALANCER ASSEMBLY .....	1	
12	90387-172U1-00	COLLAR .....	2	
13	7KY-11531-00-00	GEAR, BALANCE WT .....	1	
14	7KY-11657-01-00	SPLASHER, OIL .....	1	

7MD1110-9020

# CAMSHAFT - VALVE 1

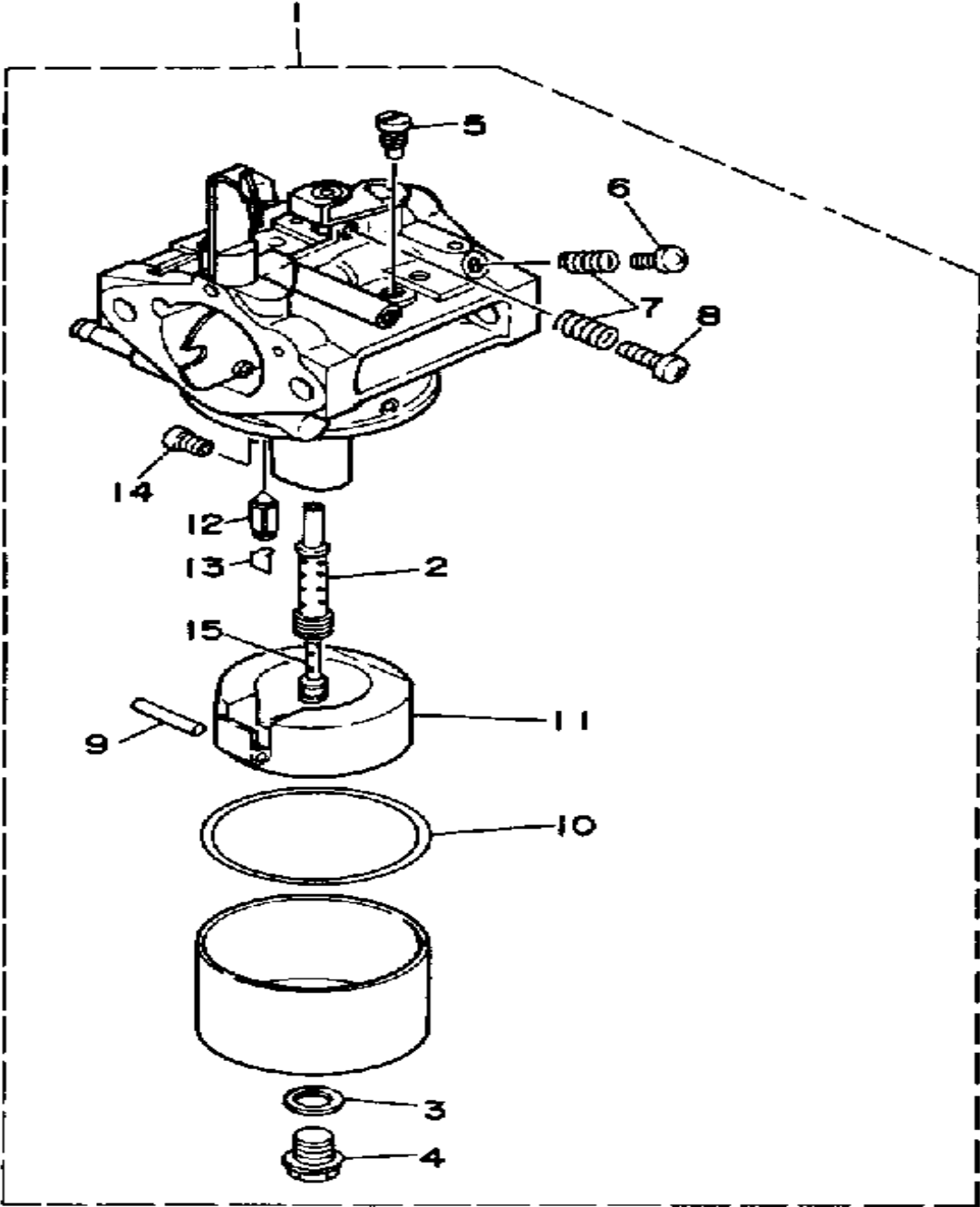


7MD1110-9040

Ref. No.	Part Number	Description	Qty	Remarks
1	JA1-12111-01-00	VALVE, INTAKE .....	1	
2	JA1-12121-00-00	VALVE, EXHAUST .....	1	
3	90501-264A9-00	SPRING, COMPRESSION .....	2	
4	J38-12117-01-00	RETAINER, VALVE SPR .....	2	
5	J38-12118-00-00	COTTER, VALVE .....	2	
6	7KY-12151-00-00	ARM, VALVE ROCKER .....	2	
7	7KY-12155-00-00	GUIDE, PUSH ROD .....	1	
8	7FK-12165-00-00	PIVOT, ROCKER ARM .....	2	
9	7KY-12154-00-00	ROD, VALVE PUSH .....	2	
10	7KY-12153-00-00	LIFTER, VALVE .....	2	
11	JA1-12170-02-00	CAMSHAFT ASSEMBLY 1 (JA1-12170-01) .....	1	
12	90507-03048-00	SPRING, TENSION .....	1	
13	7FK-12157-00-00	NUT, LOCK .....	2	
14	7FK-12158-00-00	NUT, LOCK .....	2	
15	5H0-12119-00-00	SEAL, VALVE STEM .....	1	



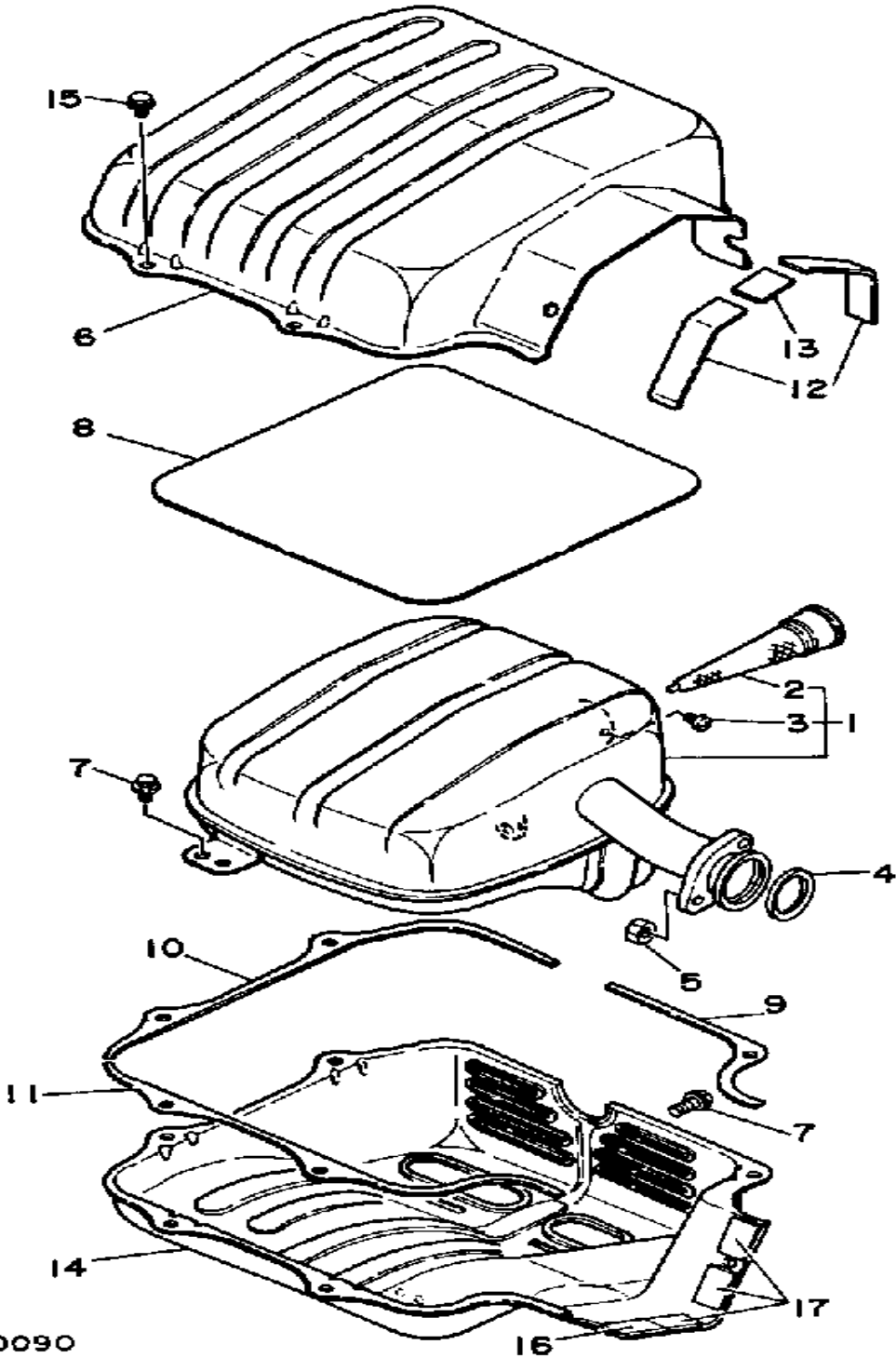
# CARBURETOR



7MD2110-0081

Ref. No.	Part Number	Description	Qty	Remarks
1	7LW-14101-20-00	CARBURETOR ASSEMBLY 1	1	
2	7LW-14941-53-00	. NOZZLE, MAIN	1	
3	127-14198-00-00	. GASKET	1	
4	75J-14150-01-00	. BOLT, HOLDING	1	
5	620-1414J-24-00	. JET, PILOT	1	
6	7LV-14211-00-00	. SCREW, PILOT ADJUSTING	1	
7	73A-14212-00-00	. SPRING, PILOT ADJUSTING	2	
8	7LG-14990-00-00	. SCREW	1	
9	22F-14186-00-00	. PIN, FLOAT	1	
10	796-14184-00-00	. GASKET, FLOAT CHMBR	1	
11	7KY-14185-00-00	. FLOAT	1	
12	7KY-14150-00-00	. NEEDLE ASSEMBLY	1	
13	7EG-14159-00-00	. CLIP	1	
14	3G2-14231-22-00	. JET, MAIN (#110)	1	
15	73A-1414G-00-00	. PIPE, MAIN BLEED	1	

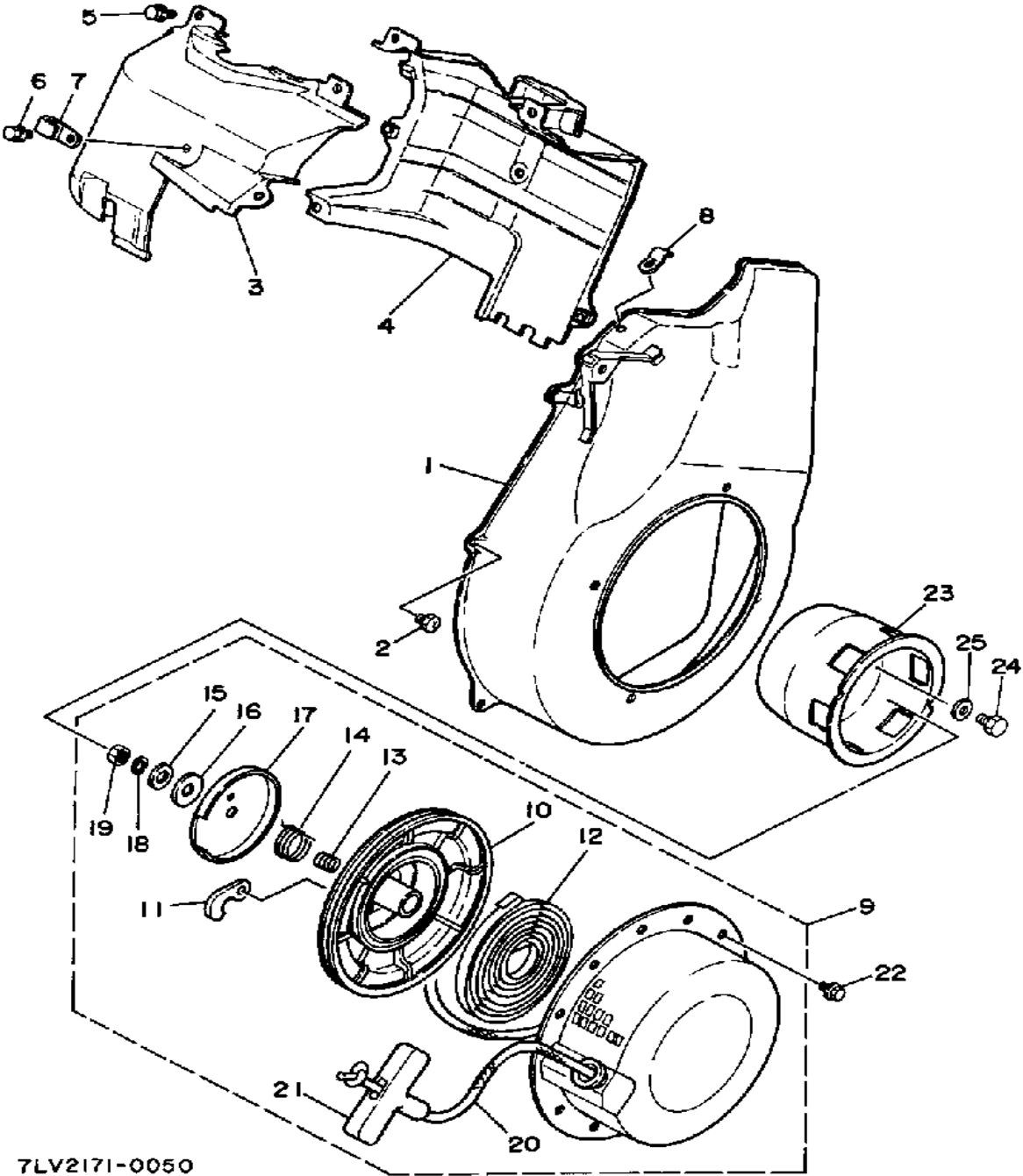
# EXHAUST 1



7LV2110-0090

Ref. No.	Part Number	Description	Qty	Remarks
1	7LV-14780-01-00	SPARK ARRESTER ASSEMBLY	1	
2	7LR-14786-00-00	. ARRESTER, SPARK	1	
3	97701-40506-00	. SCREW, TAPPING	1	
4	7LV-14613-00-00	GASKET, EXHAUST PIP	1	
5	95380-08600-00	NUT	2	
6	7LV-14718-00-98	PROTECTOR, MUFF 1	1	
7	95811-08016-00	BOLT, FLANGE	3	
8	7LR-22876-00-00	SEAL 4	1	
9	7LV-1477K-01-00	PLATE 1 (7LV-1477K-00)	1	
10	7LR-1477L-01-00	PLATE 2 (7LR-1477L-00)	1	
11	7LV-1477M-01-00	PLATE 3 (7LV-1477M-00)	1	
12	7LR-22875-01-00	SEAL 3 (7LR-22875-00)	2	
13	7LV-22875-01-00	SEAL 3	1	
14	7MF-14728-00-98	PROTECTOR, MUFF 2	1	
15	95826-06010-00	BOLT, FLANGE	6	
16	7LR-22875-01-00	SEAL 3 (7LR-22875-00)	1	
17	7LV-22875-01-00	SEAL 3	3	

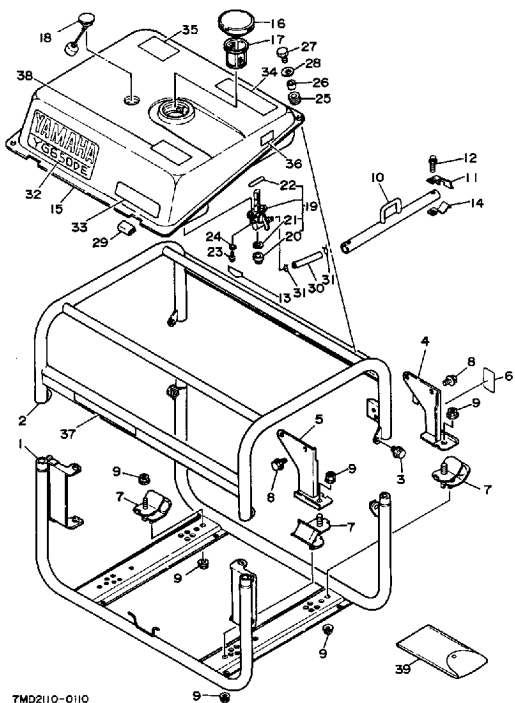
# AIR SHROUD - STARTER 1



7LV2171-0050

Ref. No.	Part Number	Description	Qty	Remarks
1	7LV-12621-10-NJ	CASE, FANFARAWAY BLUE ..	1	
2	90153-06045-00	SCREW, HEXAGON .....	5	
3	7LV-12651-00-00	AIR SHROUD, CYLINDER 1 ...	1	
4	7LV-12652-10-00	AIR SHROUD, CYLINDER 2 ...	1	
5	90153-06045-00	SCREW, HEXAGON .....	5	
6	90109-06513-00	BOLT .....	2	
7	90465-08028-00	CLAMP .....	1	
8	90462-10007-00	CLAMP .....	1	
9	7LV-15710-00-00	STARTER ASSEMBLY .....	1	
10	7LV-15714-00-00	. DRUM, SHEAVE .....	1	
11	7R1-15741-02-00	. PAWL, DRIVE .....	2	
12	730-15713-01-00	. SPRING, RETURN .....	1	
13	7LV-15715-01-00	. SPRING, DRIVE PLATE .....	1	
14	7R1-15784-01-00	. SPRING, RETURN .....	1	
15	7R1-15726-00-00	. WASHER, FLAT .....	1	
16	8G5-15739-00-00	. WASHER, THRUST .....	1	
17	7R1-15716-00-00	. PLATE, DRIVE .....	1	
18	92995-06100-00	. WASHER, SPRING .....	1	
19	95380-06600-00	. NUT, HEXAGON .....	1	
20	7LV-15751-00-00	. WIRE, STARTER .....	1	
21	7LV-15755-00-00	. HANDLE, STARTER .....	1	
22	90153-06045-00	SCREW, HEXAGON .....	4	
23	7LV-15723-00-00	PULLEY, STARTER .....	1	
24	97011-08016-00	BOLT .....	3	
25	92990-08600-00	WASHER, PLATE .....	3	

# FRAME - FUEL TANK 1

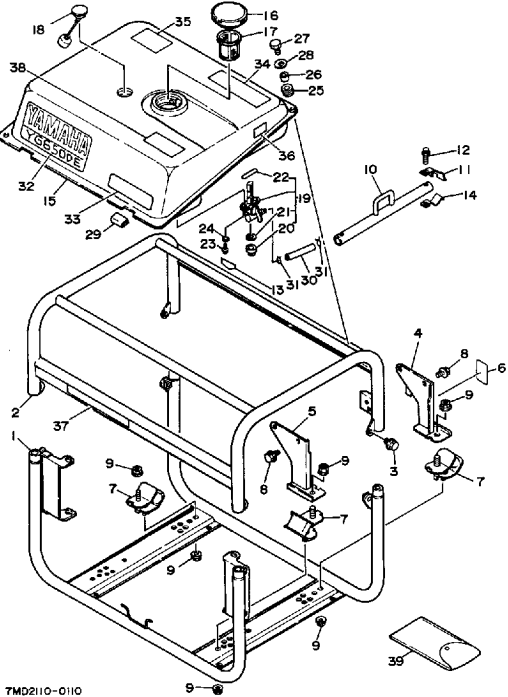


7MD2110-0110

Ref. No.	Part Number	Description	Qty	Remarks
1	7LV-22840-20-00	FRAME COMP. 1	1	
2	7MD-22850-20-00	FRAME COMP. 2	1	
3	95811-06012-00	BOLT, FLANGE	4	
4	7LV-11011-10-00	BRACKET, ENGINE 1	1	
5	7LV-11012-00-00	BRACKET, ENGINE 2	1	
6	73A-21793-30-00	ORNAMENT	1	
7	7LR-22891-00-00	INSULATOR, MOUNTING	4	
8	95811-10020-00	BOLT, FLANGE	4	
9	95701-10500-00	NUT, FLANGE	8	
10	7MC-11119-00-00	HANGER, ENGINE	1	
11	7MC-1112F-00-00	PLATE 2	2	
12	95811-08035-00	BOLT, FLANGE	2	
13	7MC-1111F-00-00	PLATE	2	
14	7FL-2415A-10-00	LABEL, CAUTION	1	
15	7MD-24110-01-NJ	FUEL TANK	1	
16	7V5-24610-01-00	CAP ASSEMBLY	1	
17	630-24167-00-00	STRAINER	1	
18	73A-85710-01-00	FUEL LVL GAUGE ASSEMBLY	1	
19	7H5-24500-01-00	FUEL COCK ASSEMBLY 1	1	
20	7J3-24521-00-00	. CUP, FILTER	1	
21	4X8-24565-00-00	. GASKET	1	
22	2W6-24512-00-00	. GASKET	1	
23	90149-06011-00	SCREW	2	
24	90202-05187-00	WASHER, PLATE	2	
25	90480-12475-00	GROMMET	2	
26	90387-08747-00	COLLAR	2	
27	97011-06020-00	BOLT	2	
28	90201-06067-00	WASHER, PLATE	2	
29	7LG-24181-00-00	DAMPER, LOCATING 1	2	

CONTINUED ON NEXT FRAME ►

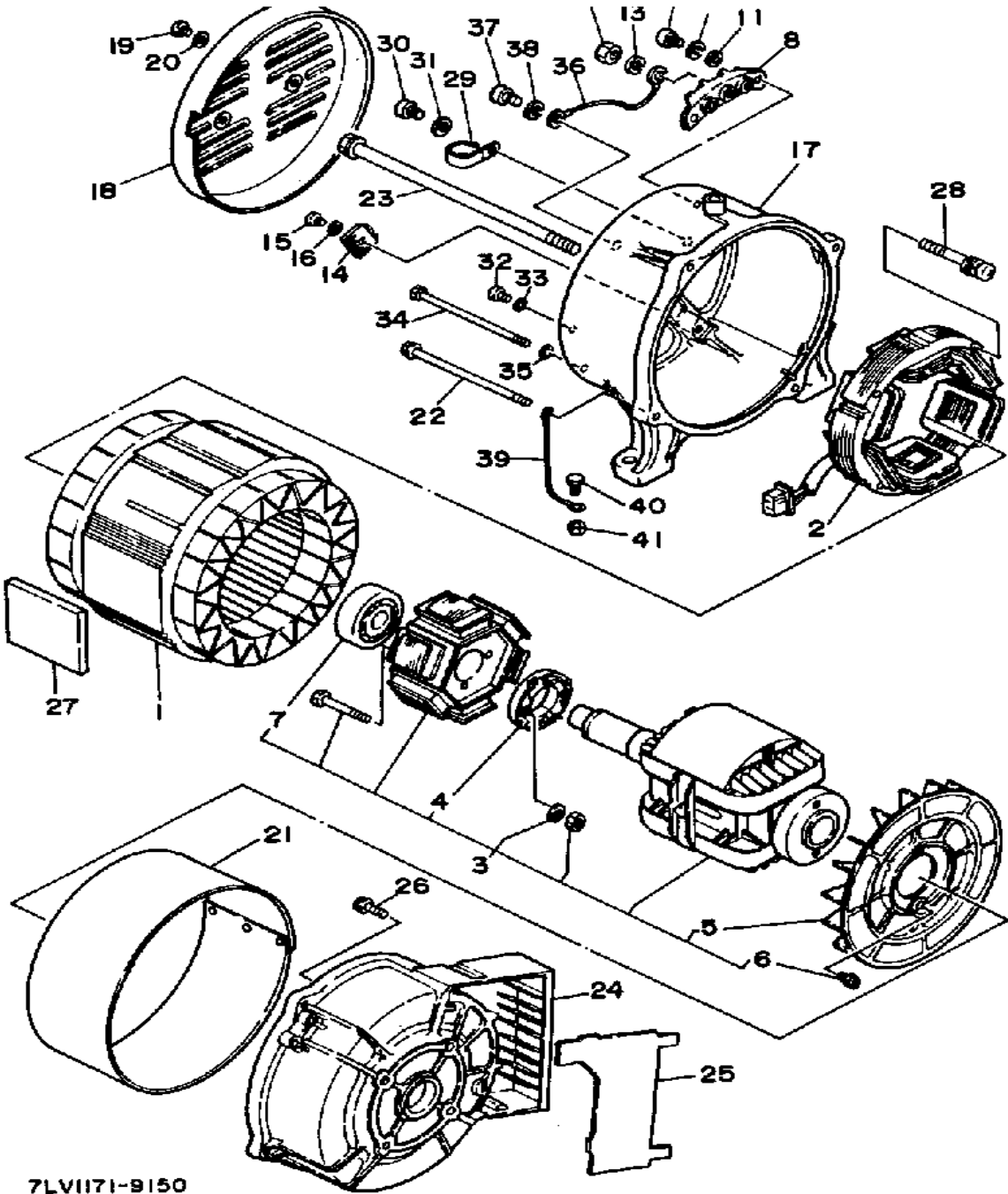
# FRAME - FUEL TANK 1



7MD2110-0110

Ref. No.	Part Number	Description	Qty	Remarks
30	90445-10261-00	HOSE .....	1	
31	90467-09006-00	CLIP .....	2	
32	7ME-24161-10-00	EMBLEM 1 .....	1	
33	7MC-24164-00-00	EMBLEM 4 .....	1	
34	73T-24162-10-00	EMBLEM 2 .....	1	
35	73H-2415A-00-00	LABEL, CAUTION .....	1	
36	7ME-24155-00-00	INDICATOR, CHOKE .....	1	
37	7MD-21782-00-00	EMBLEM 2 .....	1	
38	7LV-2415E-00-00	LABEL, CAUTION .....	1	
39	7LV-28100-00-00	TOOL KIT .....	1	

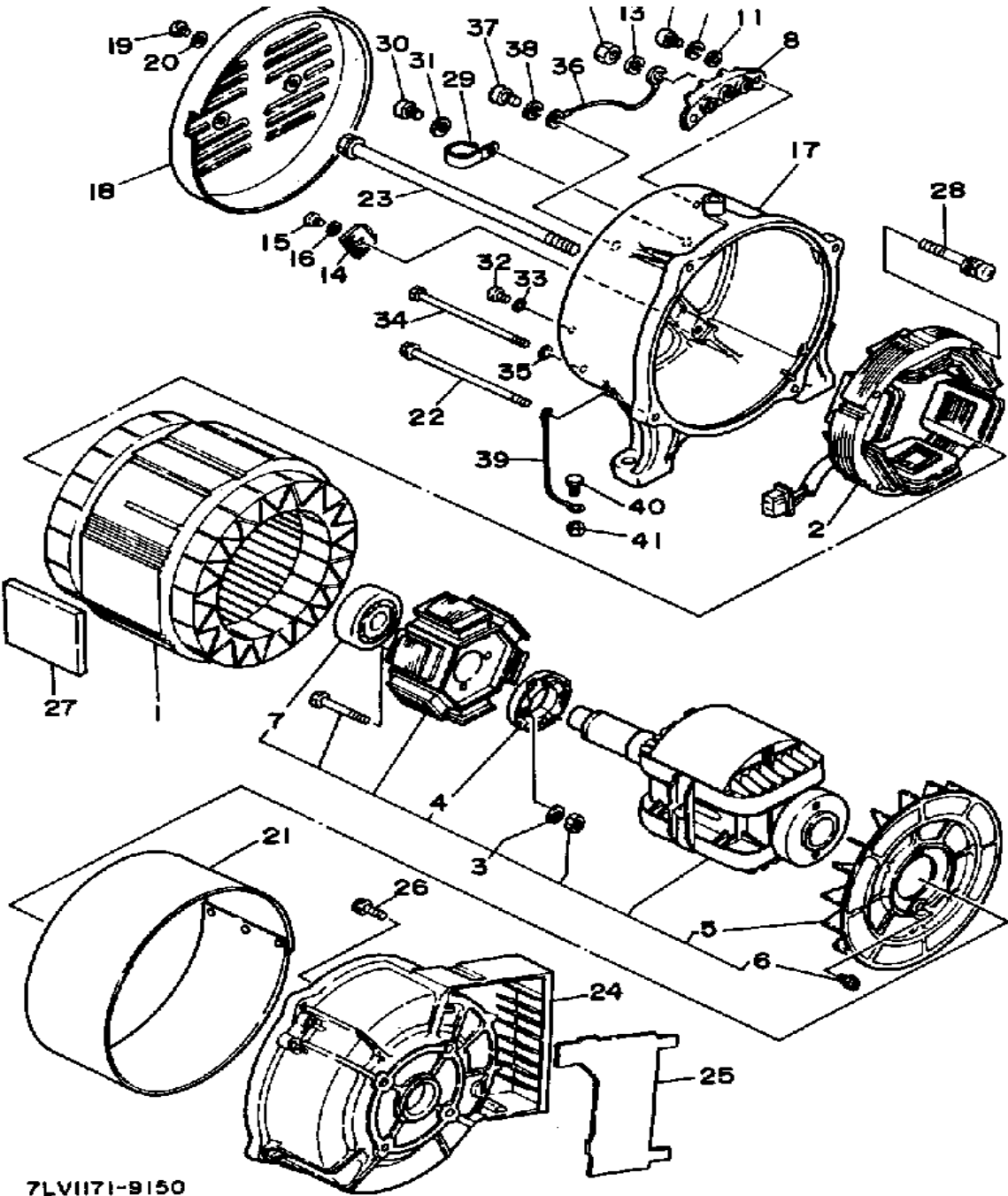
# GENERATOR 1



Ref. No.	Part Number	Description	Qty	Remarks
1	7MF-87150-90-00	STATOR ASSEMBLY (120/240V 60HZ)	1	
2	73A-8712A-01-00	STATOR EXCITER ASSEMBLY	1	
3	7MF-87160-00-00	ROTOR ASSEMBLY	1	
4	7LV-87115-00-00	. RECTIFIER ASSEMBLY	1	
5	7LR-87172-00-00	. FAN, GENERATOR	1	
6	90159-06056-00	. SCREW, WITH WASHER	2	
7	93306-37202-00	. BEARING	1	
8	7LR-87220-00-00	TERMINAL ASSEMBLY	1	
9	98586-05016-00	SCREW, PAN HEAD	2	
10	92990-05100-00	WASHER, SPRING	2	
11	92901-05600-00	WASHER, PLATE	2	
12	95311-05700-00	NUT	3	
13	92990-05100-00	WASHER, SPRING	3	
14	7H5-87105-01-00	RECTIFIER COMP	1	
15	98580-05016-00	SCREW, PAN HEAD	1	
16	92901-05600-00	WASHER, PLATE	1	
17	7LV-87131-00-00	FRAME, REAR	1	
18	7LR-87174-00-NJ	COVER, REAR END	1	
19	97011-06010-00	BOLT (97021-06010)	2	
20	92901-06600-00	WASHER, PLATE	2	
21	7MF-87153-00-00	COVER, STATOR	1	
22	95822-06120-00	BOLT, FLANGE	4	
23	7MF-81152-00-00	BOLT	1	
24	7LR-87121-00-00	FRAME, FRONT	1	
25	7LR-8718K-00-00	COVER, FRONT	1	
26	95821-08020-00	BOLT, FLANGE	4	
27	7MF-87159-00-00	SEAL, STATOR	4	
28	90159-05091-00	SCREW, WITH WASHER	4	

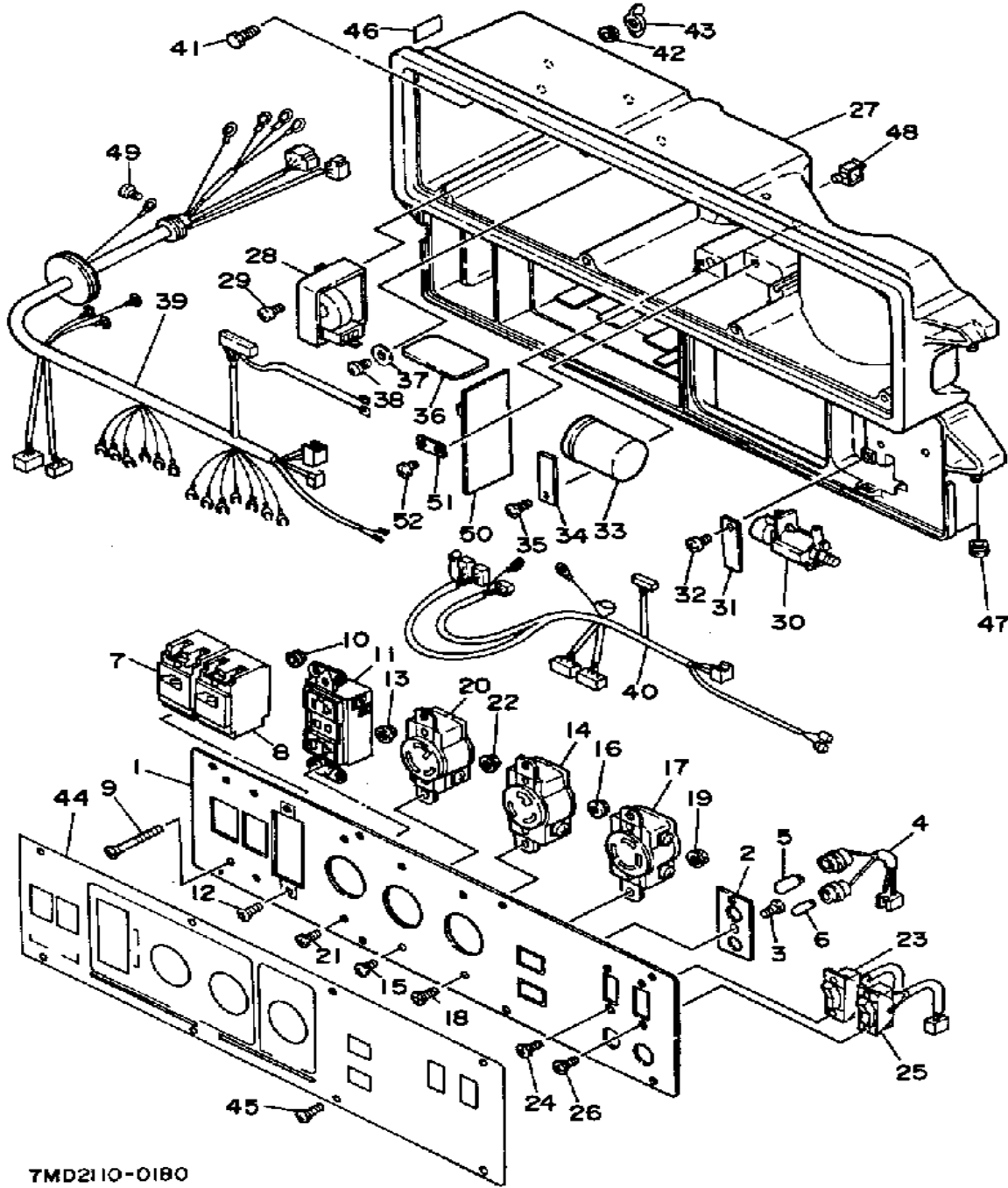
CONTINUED ON NEXT FRAME ►

# GENERATOR 1



Ref. No.	Part Number	Description	Qty	Remarks
29	90462-05061-00	CLAMP	1	
30	98580-05010-00	SCREW, PAN HEAD	1	
31	92901-05600-00	WASHER, PLATE	1	
32	98580-05010-00	SCREW, PAN HEAD	1	
33	92901-05600-00	WASHER, PLATE	1	
34	90101-06739-00	BOLT	2	
35	92990-06600-00	WASHER, PLATE	2	
36	7LR-8722W-80-00	WIRE, LEAD 6	1	
37	98580-05010-00	SCREW, PAN HEAD	1	
38	92901-05600-00	WASHER, PLATE	1	
39	7LG-87139-80-00	LEAD WIRE ASSEMBLY 2	1	
40	95811-06010-00	BOLT, FLANGE	1	
41	95701-06500-00	NUT, FLANGE	1	

# CONTROL BOX



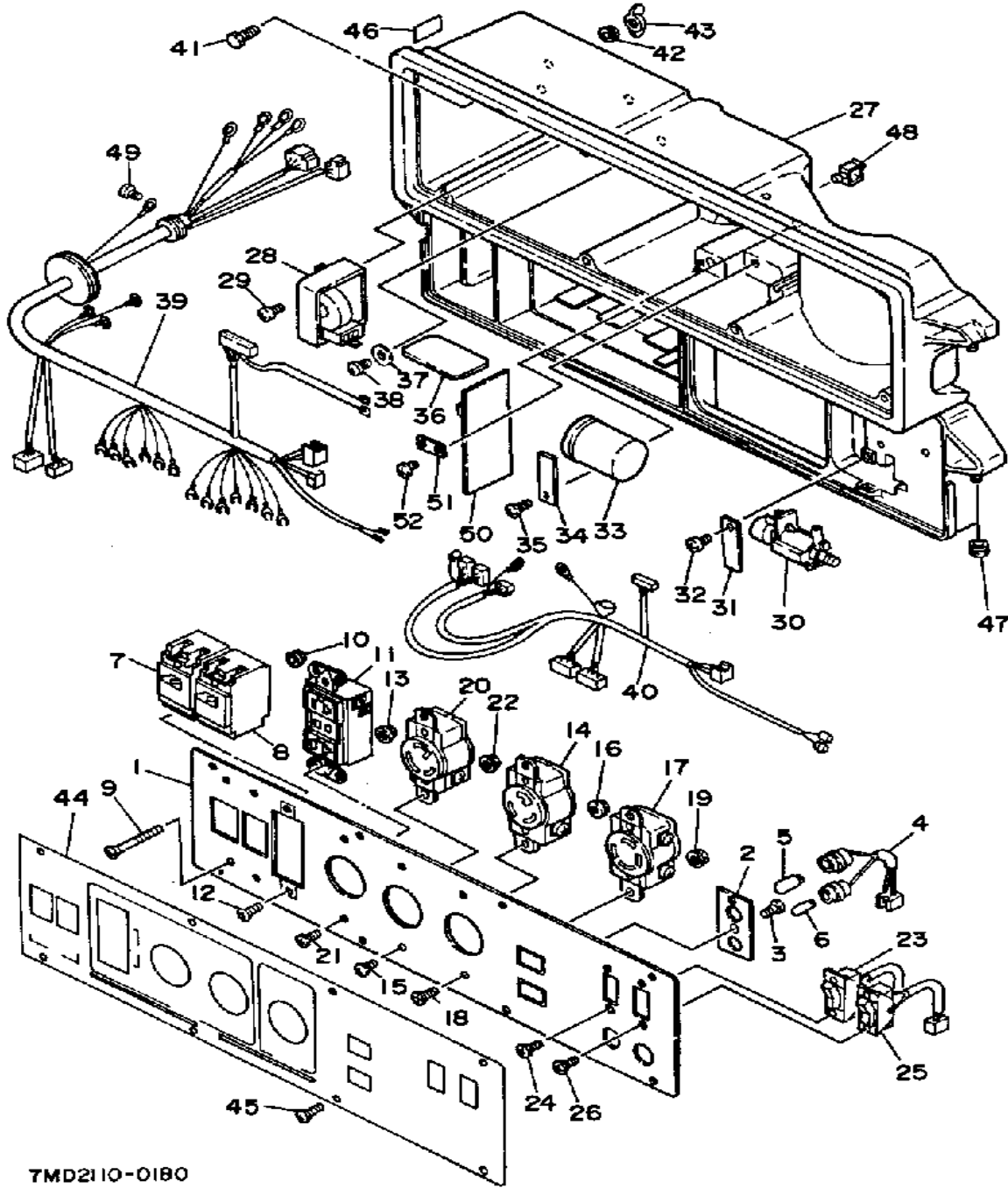
TMD21 10-0180

Ref. No.	Part Number	Description	Qty	Remarks
1	7MC-87211-90-00	BOX, CONTROL .....	1	
2	7LG-87253-00-00	HOLDER, SOCKET .....	1	
3	97780-30512-00	SCREW, TAPPING (97702-30512-00) .....	1	
4	7MB-83520-90-00	SOCKET CORD ASSEMBLY ..	1	
5	7LG-87254-00-00	BULB, PILOT LAMP .....	1	
6	7LG-83531-00-00	BULB, PILOT .....	1	
7	7MF-87204-00-00	BREAKER (35.8A) .....	1	
8	7MF-87204-20-00	BREAKER (17.9A) .....	1	
9	98702-04070-00	SCREW, FLAT HEAD .....	4	
10	95701-04500-00	NUT, FLANGE .....	4	
11	7MC-87221-A0-00	CONSENT 1 (P&S 5-20R) .....	1	
12	98701-04012-00	SCREW, FLAT HEAD .....	2	
13	95701-04500-00	NUT, FLANGE .....	2	
14	7LR-87221-90-00	CONSENT 1 (WCF63130B02) ..	1	
15	98701-04012-00	SCREW, FLAT HEAD .....	2	
16	95701-04500-00	NUT, FLANGE .....	2	
17	73H-87222-70-00	RECEPTACLE 2 .....	1	UR
	7LR-87222-90-00	CONCENT 2 (WCF63420B02) ..	1	
18	98701-04012-00	SCREW, FLAT HEAD .....	2	
19	95701-04500-00	NUT, FLANGE .....	2	
20	7LL-87222-90-00	CONSENT 2 (WCF6312002) ...	1	
21	98701-04012-00	SCREW, FLAT HEAD .....	2	
22	95701-04500-00	NUT, FLANGE .....	2	
23	78G-82550-00-00	STOP SWITCH ASSEMBLY ...	1	
24	98702-03006-00	SCREW, FLAT HEAD .....	2	
25	7LR-82567-90-00	SWITCH, THROTTLE .....	1	
26	98702-03006-00	SCREW, FLAT HEAD .....	2	
27	7LV-87213-00-00	COVER CONTROL BOX .....	1	

CONTINUED ON NEXT FRAME ►



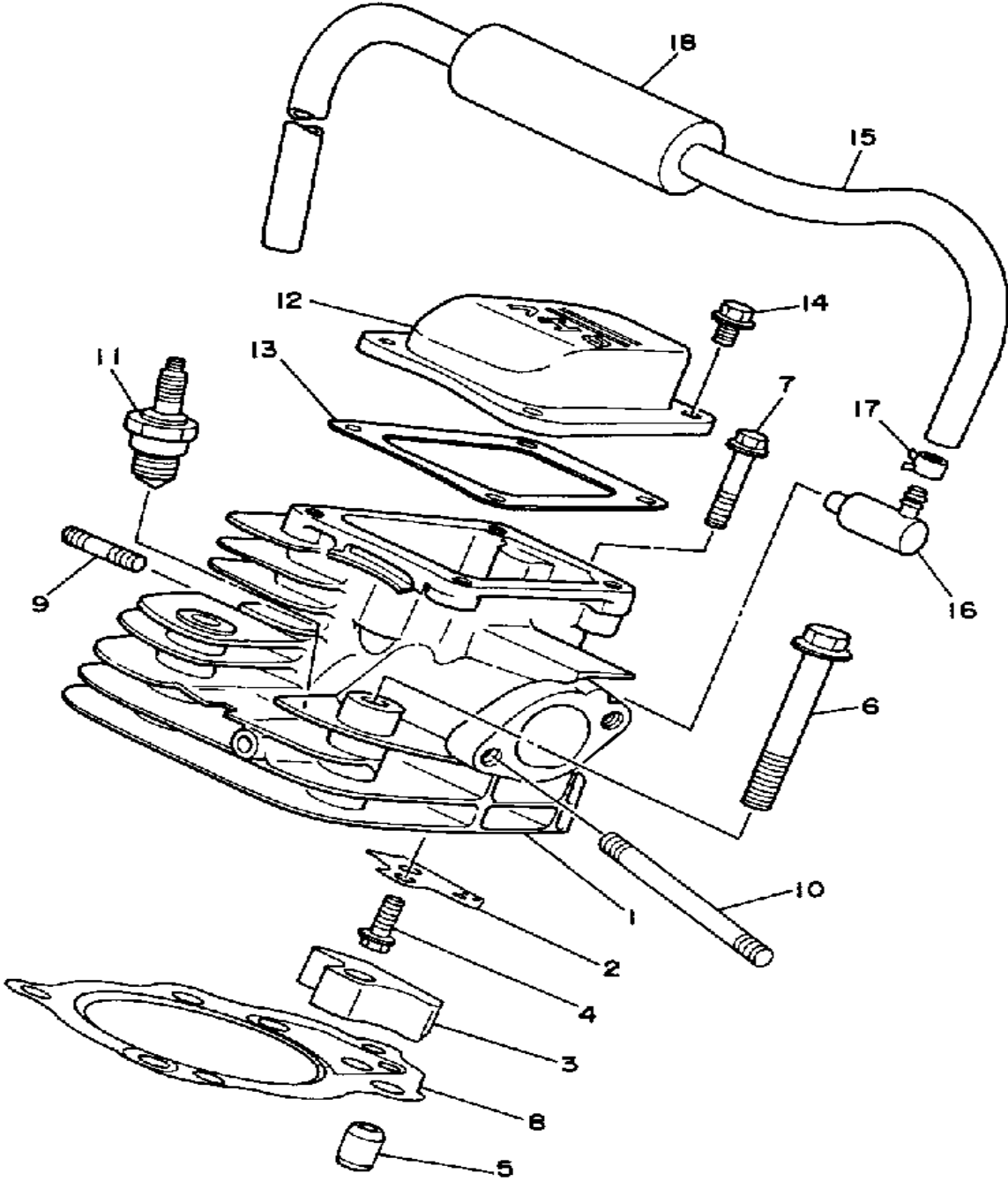
# CONTROL BOX



TMD21 10-0180

Ref. No.	Part Number	Description	Qty	Remarks
28	7AV-87286-00-00	SLOW DOWN UNIT ASSEMBLY	1	
29	97702-60120-00	SCREW, TAPPING	1	
30	7LR-86120-90-00	SOLENOID VALVE ASSEMBLY	1	
31	7LR-86112-00-00	STAY, SOLENOID	1	
32	97780-50612-00	SCREW, TAPPING	1	
33	78R-87107-00-00	CONDENSER ASSEMBLY	1	
34	7LR-86112-00-00	STAY, SOLENOID	1	
35	97780-50612-00	SCREW, TAPPING	1	
36	7LG-85690-00-00	OIL WARNING UNIT	1	
37	90201-03013-00	WASHER, PLATE	1	
38	97780-30512-00	SCREW, TAPPING (97702-30512-00)	1	
39	7MD-87226-B0-00	WIRE HARNESS ASSEMBLY	1	
40	7LW-82509-G0-00	WIRE, SUB LEAD	1	
41	97011-06020-00	BOLT	1	
42	95701-06500-00	NUT, FLANGE	1	
43	90175-06008-00	NUT, WING	1	
44	7MC-87217-A0-00	PLATE, CONTROL	1	
45	97706-40516-00	SCREW, TAPPING	8	
46	7H6-87261-00-00	EMBLEM 1	1	
47	90480-01401-00	GROMMET	4	
48	90464-16025-00	CLAMP	1	
49	98580-05010-00	SCREW, PAN HEAD	1	
50	7LU-8722A-00-00	VOLT.REGULATOR ASSEMBLY	1	
51	7LG-2631G-00-00	PLATE	1	
52	97780-30512-00	SCREW, TAPPING (97702-30512-00)	1	

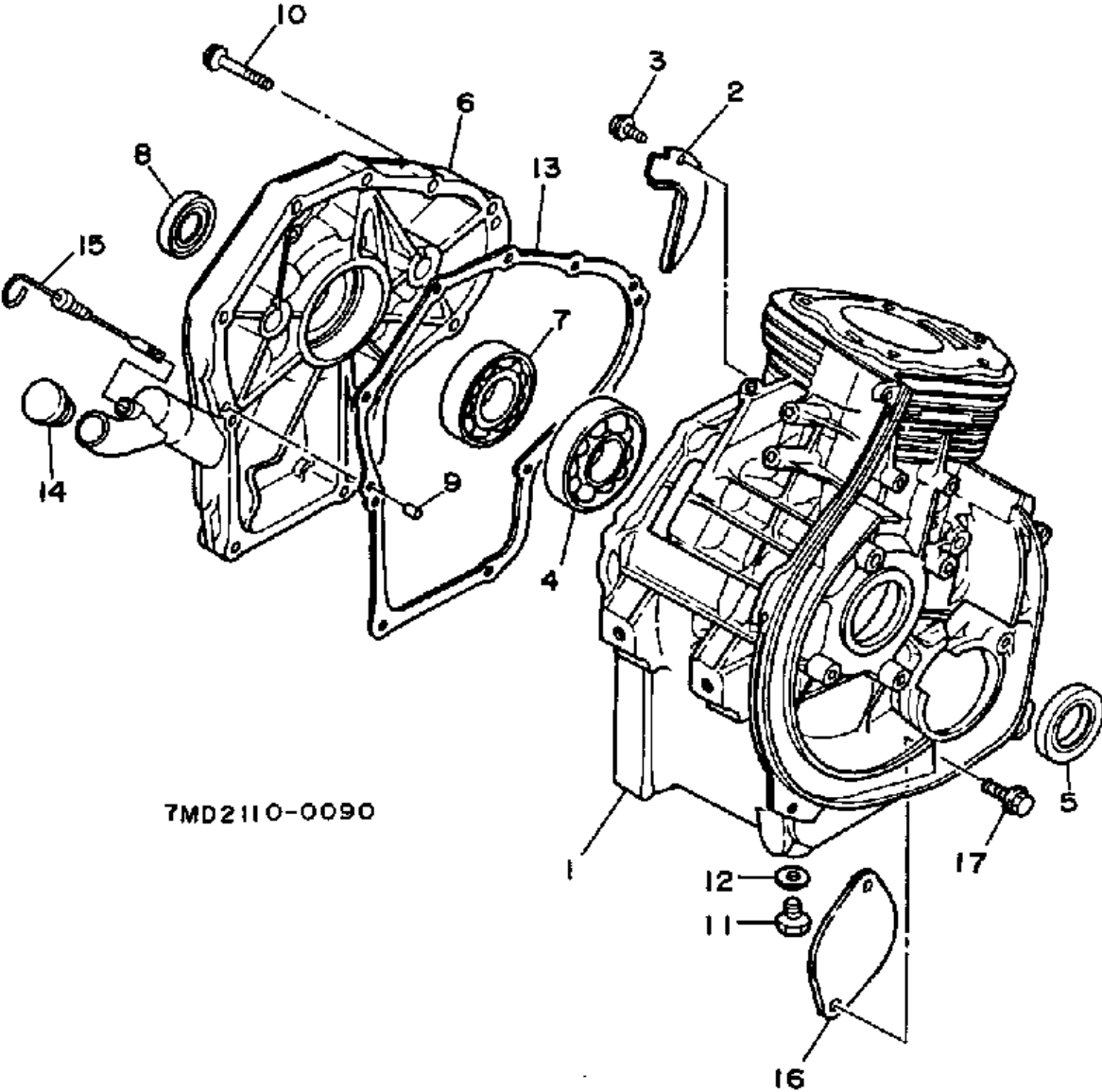
# CYLINDER 2



Ref. No.	Part Number	Description	Qty	Remarks
1	7LV-11102-10-00	CYLINDER HEAD ASSEMBLY	1	
2	7LV-11165-01-00	PLATE, BREATHER	1	
3	7LV-11163-01-00	ELEMENT	1	
4	(90109-06514-00)	BOLT	1	
5	99510-14016-00	PIN, DOWEL	2	
6	95811-10070-00	BOLT, FLANGE	4	
7	95811-06045-00	BOLT, FLANGE	1	
8	7KY-11181-01-00	GASKET, CYLINDER. HEAD	1	
9	95622-08630-00	BOLT, STUD	2	
10	90116-08513-00	BOLT, stud	2	
11	NGK-BPR4E-S0-00	PLUG, SPARK	1	
12	7KY-11191-00-00	COVER, CYLINDER.HEAD 1	1	
13	7KY-11193-00-00	GASKET, HD.COVER 1	1	
14	95811-06012-00	BOLT, FLANGE	4	
15	7LV-15373-10-00	PIPE, BREATHER	1	
16	7KY-15148-00-00	NOZZLE 2	1	
17	90467-13064-00	CLIP	1	
18	7LV-15333-00-00	COVER	1	

7LV2110-0010

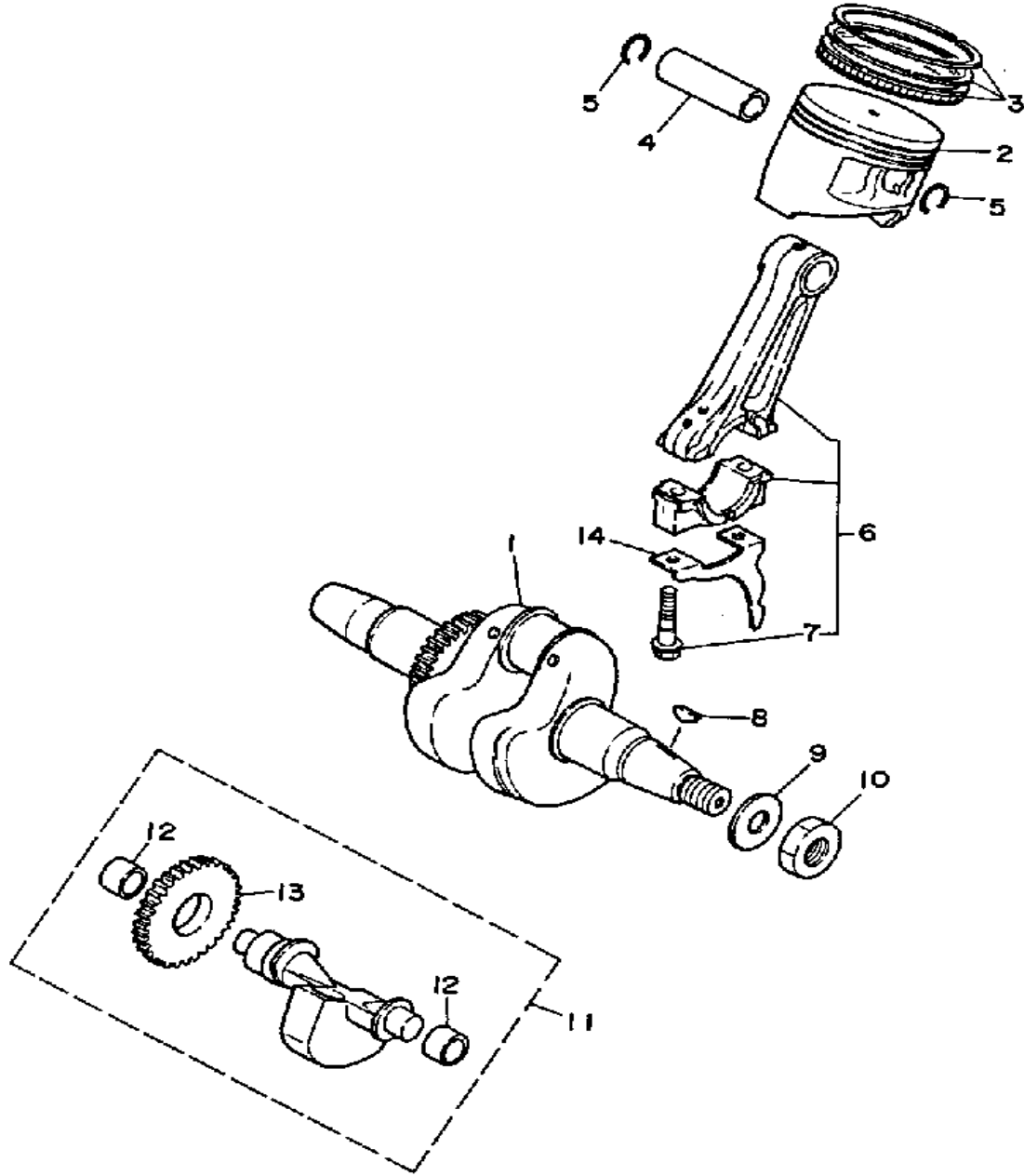
# CRANKCASE 2



7MD2110-0090

Ref. No.	Part Number	Description	Qty	Remarks
1	7LV-15111-01-00	CRANKCASE 1 (7LV-15111-00)	1	
2	7KY-15123-00-00	PLATE, BUFFLE 1	1	
3	90159-05117-00	SCREW, W/WASHER (J38)	2	
4	93306-30713-00	BEARING	1	
5	93102-35191-00	OIL SEAL	1	
6	7LV-15410-00-00	CRCS COVER ASSEMBLY L	1	
7	93306-20716-00	BEARING (93306-20714)	1	
8	93102-35319-00	OIL SEAL, SD-TYPE	1	
9	93608-12063-00	PIN, DOWEL	2	
10	95811-08045-00	BOLT, FLANGE (95801-08045)	10	
11	97001-12020-00	BOLT	1	
12	812-11198-00-00	GASKET	1	
13	7KY-15451-00-00	GASKET, CRCS COVER	1	
14	7LV-15363-01-00	PLUG, OIL	1	
15	7LV-15361-01-00	GAUGE, LEVEL	1	
16	7LV-15113-10-00	PLATE	1	YG650D
17	95811-08035-00	BOLT, FLANGE	2	YG650D

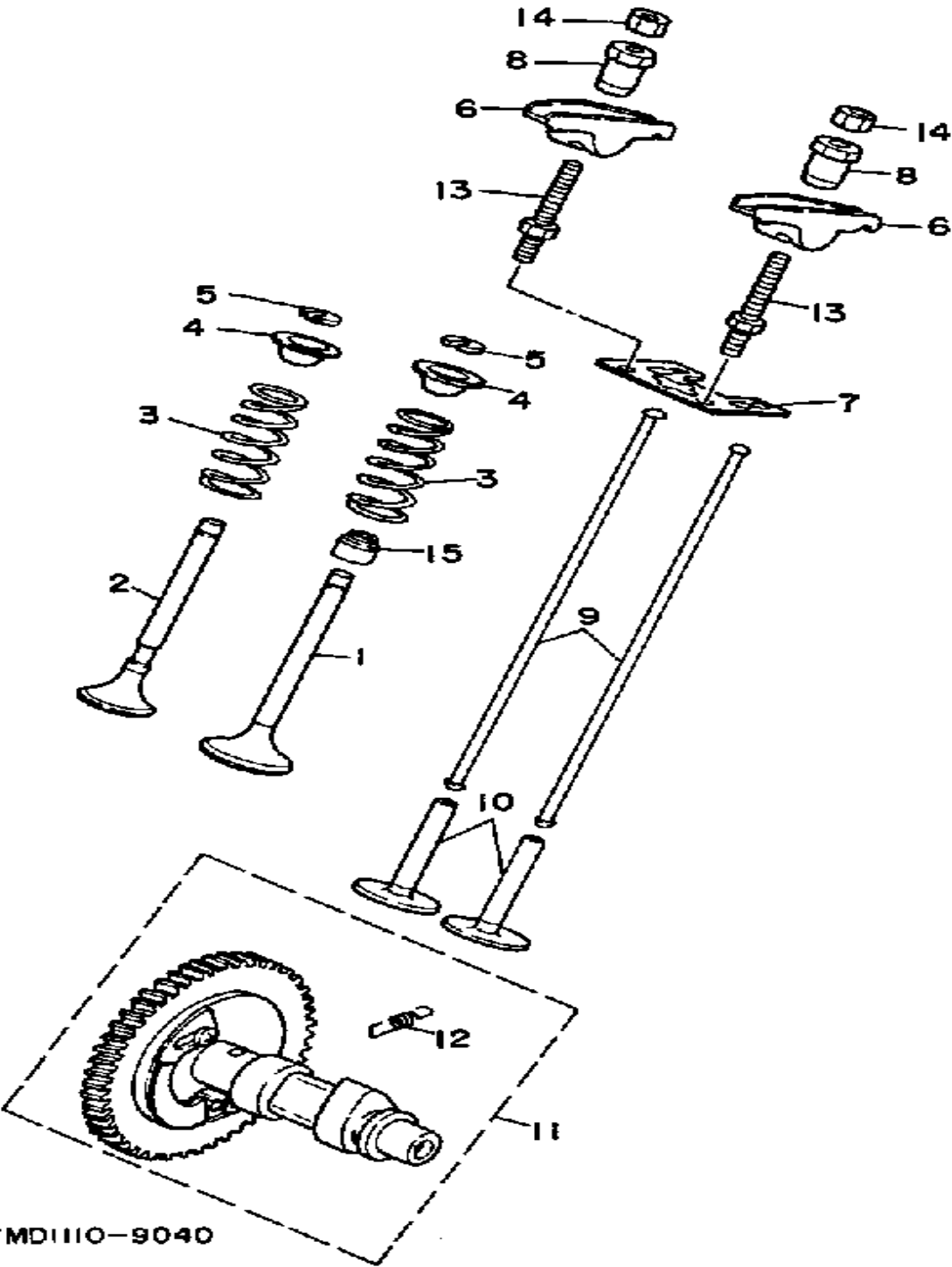
# CRANKSHAFT - PISTON 2



Ref. No.	Part Number	Description	Qty	Remarks
1	7LV-11400-00-00	CRANKSHAFT ASSEMBLY ...	1	
2	JA1-11631-00-A0	PISTON STD .....	1	
	JA1-11635-00-00	PISTON 1ST O/S (0.25MM O/S)	1	AP
	JA1-11636-00-00	PISTON 2ND O/S (0.50MM O/S)	1	AP
3	7LV-11610-00-00	PISTON RING, STD .....	1	
	7LV-11610-10-00	PISTON RING, 1ST OS (1ST O/S) .....	1	AP
	7LV-11610-20-00	PISTON RING, 2ND OS (2ND O/S) .....	1	AP
4	7KY-11633-01-00	PIN, PISTON .....	1	
5	93450-22027-00	CIRCLIP .....	2	
6	7KY-11650-01-00	CONNECTING ROD ASSEMBLY	1	
7	7KY-11654-00-00	. BOLT, CON ROD .....	2	
8	90280-16053-00	KEY, WOODRUFF (90280-05048-00) .....	1	
9	90201-18620-00	WASHER, PLATE .....	1	
10	90170-18332-00	NUT, HEXAGON .....	1	
11	7KY-11500-00-00	BALANCER ASSEMBLY .....	1	
12	90387-172U1-00	. COLLAR .....	2	
13	7KY-11531-00-00	. GEAR, BALANCE WT .....	1	
14	7KY-11657-01-00	SPLASHER, OIL .....	1	

7MD1110-9020

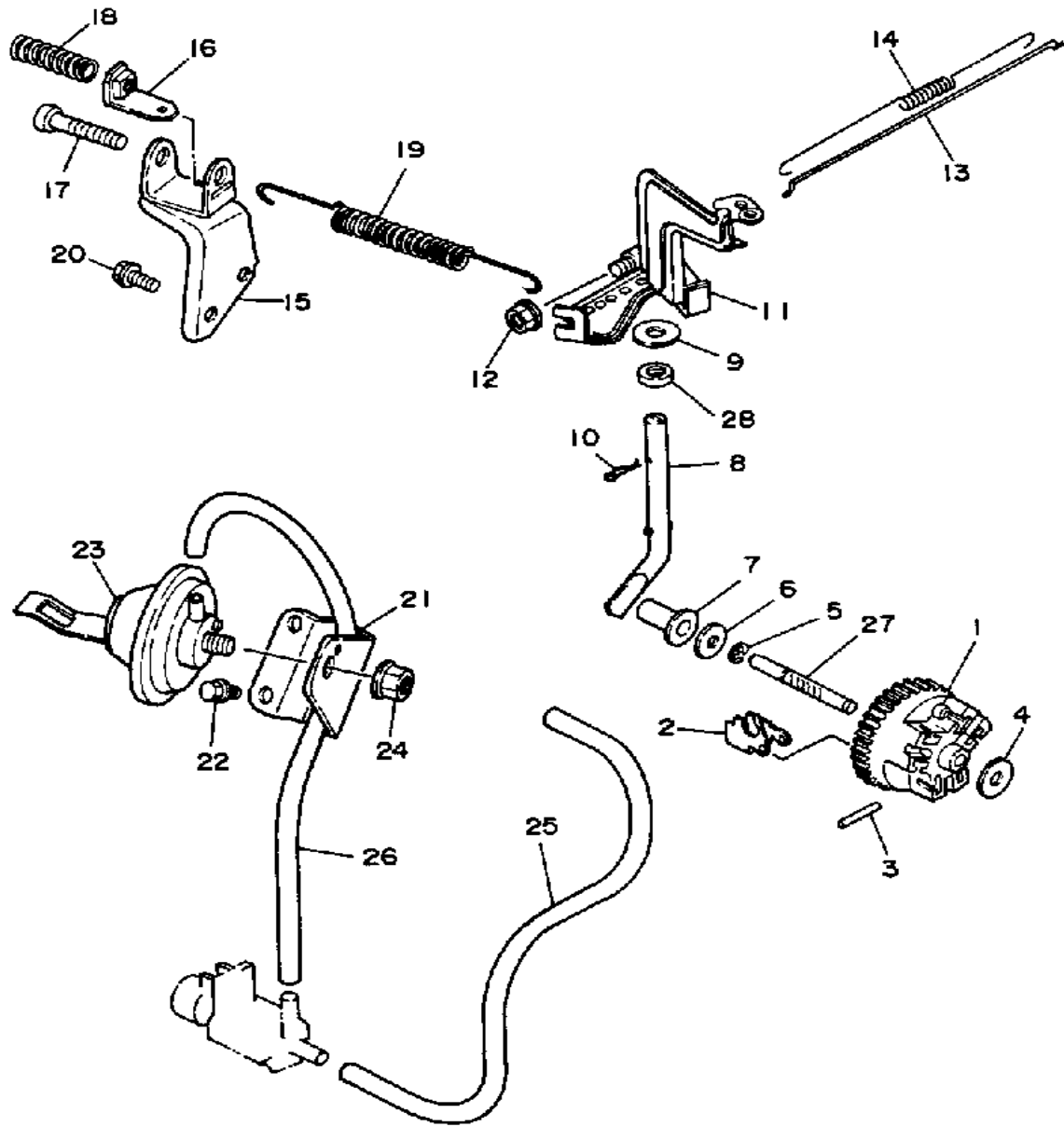
# CAMSHAFT - VALVE 2



7MD1110-9040

Ref. No.	Part Number	Description	Qty	Remarks
1	JA1-12111-01-00	VALVE, INTAKE .....	1	
2	JA1-12121-00-00	VALVE, EXHAUST .....	1	
3	90501-264A9-00	SPRING, COMPRESSION .....	2	
4	J38-12117-01-00	RETAINER, VALVE SPR .....	2	
5	J38-12118-00-00	COTTER, VALVE .....	2	
6	7KY-12151-00-00	ARM, VALVE ROCKER .....	2	
7	7KY-12155-00-00	GUIDE, PUSH ROD .....	1	
8	7FK-12165-00-00	PIVOT, ROCKER ARM .....	2	
9	7KY-12154-00-00	ROD, VALVE PUSH .....	2	
10	7KY-12153-00-00	LIFTER, VALVE .....	2	
11	JA1-12170-02-00	CAMSHAFT ASSEMBLY 1 (JA1-12170-01) .....	1	
12	90507-03048-00	. SPRING, TENSION .....	1	
13	7FK-12157-00-00	NUT, LOCK .....	2	
14	7FK-12158-00-00	NUT, LOCK .....	2	
15	5H0-12119-00-00	SEAL, VALVE STEM .....	1	

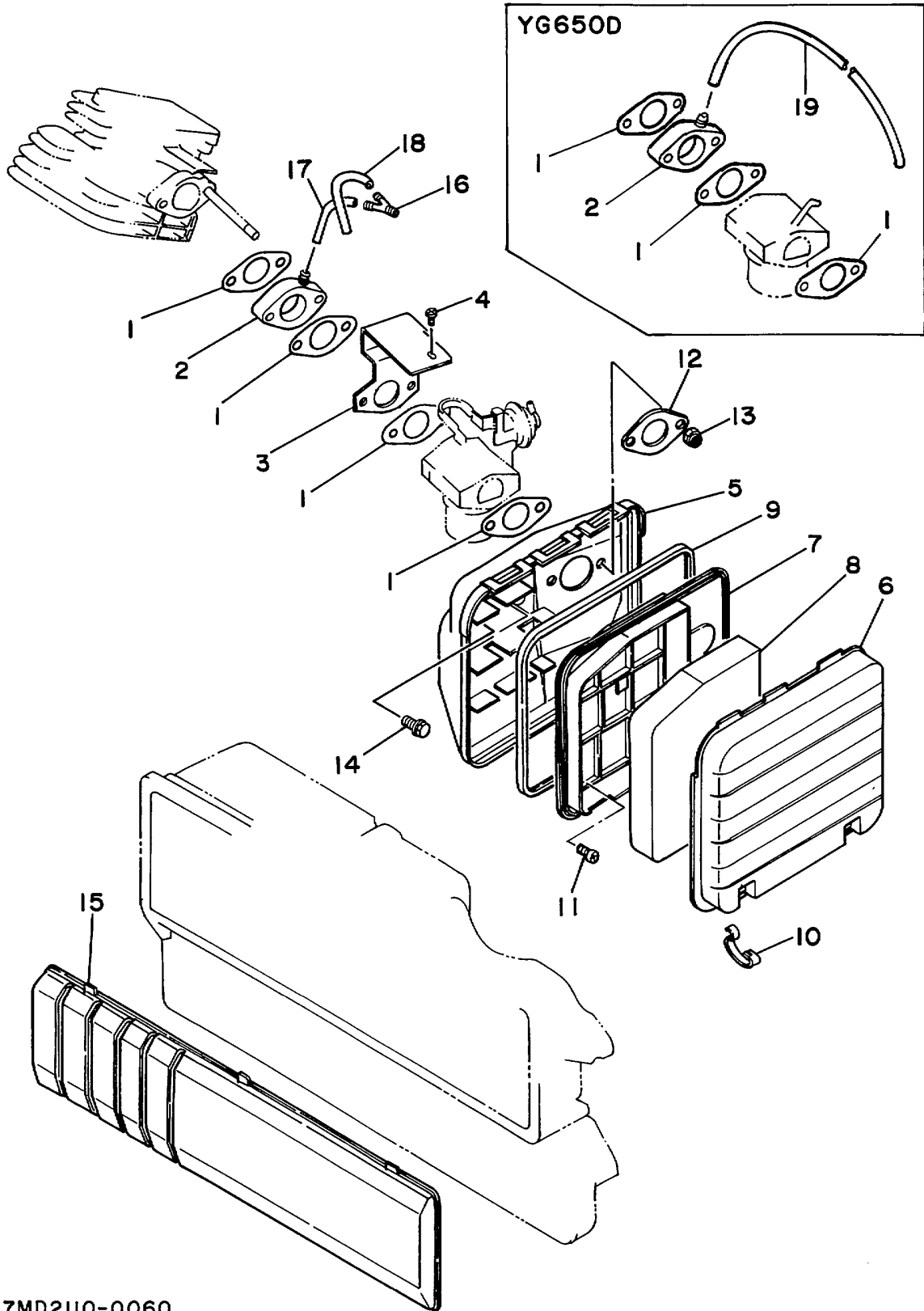
# GOVERNOR 2



7LV2110-0030

Ref. No.	Part Number	Description	Qty	Remarks
1	7KY-11972-01-00	GEAR, FLYWGHT SHAFT	1	
2	7KY-11913-00-00	WEIGHT	3	
3	7FK-11914-00-00	SHAFT, WEIGHT	3	
4	90201-062P7-00	WASHER, PLATE	1	
5	93440-06107-00	CIRCLIP, OUTER	1	
6	90201-067L0-00	WASHER, PLATE	1	
7	7KY-11917-00-00	COLLAR	1	
8	7KY-11922-00-00	FORK, GOVERNOR	1	
9	90201-087H6-00	WASHER, PLATE	2	
10	90468-12006-00	CLIP	1	
11	7LV-11901-00-00	GOVERNOR ASSEMBLY	1	
12	95701-06500-00	NUT, FLANGE	1	
13	7LV-11928-10-00	ROD, LINK	1	
14	90506-04475-00	SPRING, TENSION	1	
15	7LV-11940-00-00	STAY	1	
16	7LV-11931-00-00	LEVER	1	
17	98580-06035-00	SCREW, PAN HEAD (92501-06035)	1	
18	90501-10264-00	SPRING, COMPRESSION	1	
19	7LV-11925-11-00	SPRING, GOVERNOR	1	
20	95811-06012-00	BOLT, FLANGE	2	
21	7LV-11998-00-00	BRACKET 1	1	
22	95811-06020-00	BOLT, FLANGE	2	
23	7X6-11960-00-00	DIAPHRAGM ASSEMBLY	1	
24	95701-08500-00	NUT, FLANGE	1	
25	7LV-13545-10-00	HOSE 1	1	
26	7LV-13545-00-00	HOSE 1	1	
27	7LV-11971-00-00	SHAFT, FLYWEIGHT	1	
28	93109-08050-00	OIL SEAL	1	

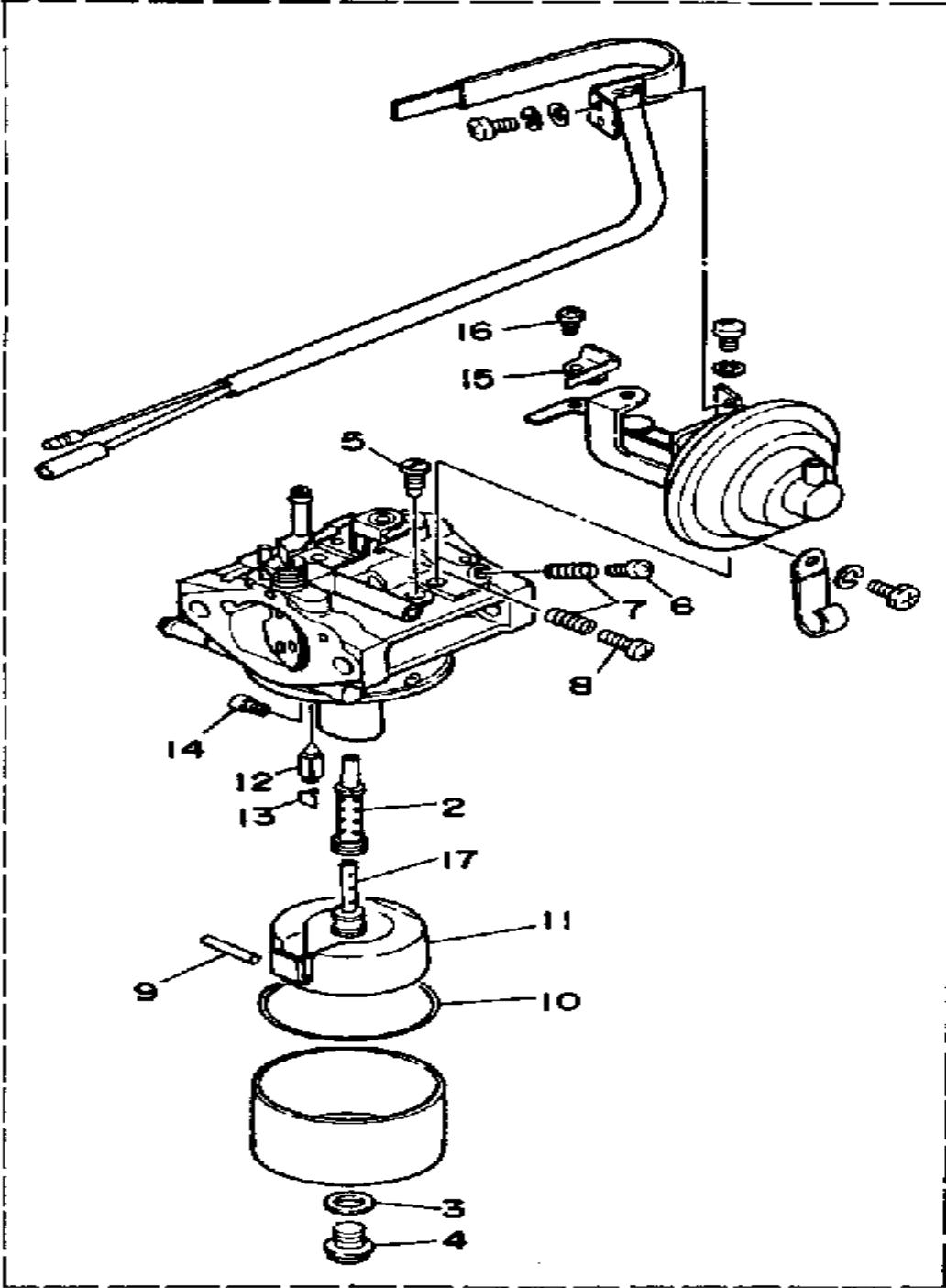
# AIR FILTER 2



Ref. No.	Part Number	Description	Qty	Remarks
1	7LV-13557-00-00	GASKET (YG600D)	3	UR
	7LV-13557-00-00	GASKET (YG600D)	4	UR
2	7LV-13596-00-00	JOINT, CARBURETOR 2	1	
3	7LV-14283-10-00	COVER, CARBURETOR	1	
4	98901-05008-00	SCREW, BIND	1	
5	7LV-14411-00-00	CASE, AIR CLEANER 1	1	
6	7LV-14412-00-00	CAP, CLEANER CASE 1	1	
7	7LV-14468-00-00	PLATE, ELEMENT FTNG	1	
8	7LV-14451-00-00	ELEMENT, AIR CLNR	1	
9	7LV-14452-00-00	SEAL	1	
10	JA9-14436-00-00	HOOK	2	
11	(97702-40016-00)	SCREW, TAPPING	5	
12	7LV-14477-00-00	PLATE	1	
13	95601-08200-00	NUT, U	2	
14	95811-06020-00	BOLT, FLANGE	1	
15	7LR-14412-01-00	CAP, CLEANER CASE (7LR-14412-00)	1	
16	90413-05013-00	WAY, 3 (YG600DE)	1	
17	7LV-13546-00-00	HOSE 2	1	
18	7LV-13546-00-00	HOSE 2	1	
19	7MD-13545-10-00	HOSE 1	1	

7MD2110-0060

# CARBURETOR 1 (YG650DE)

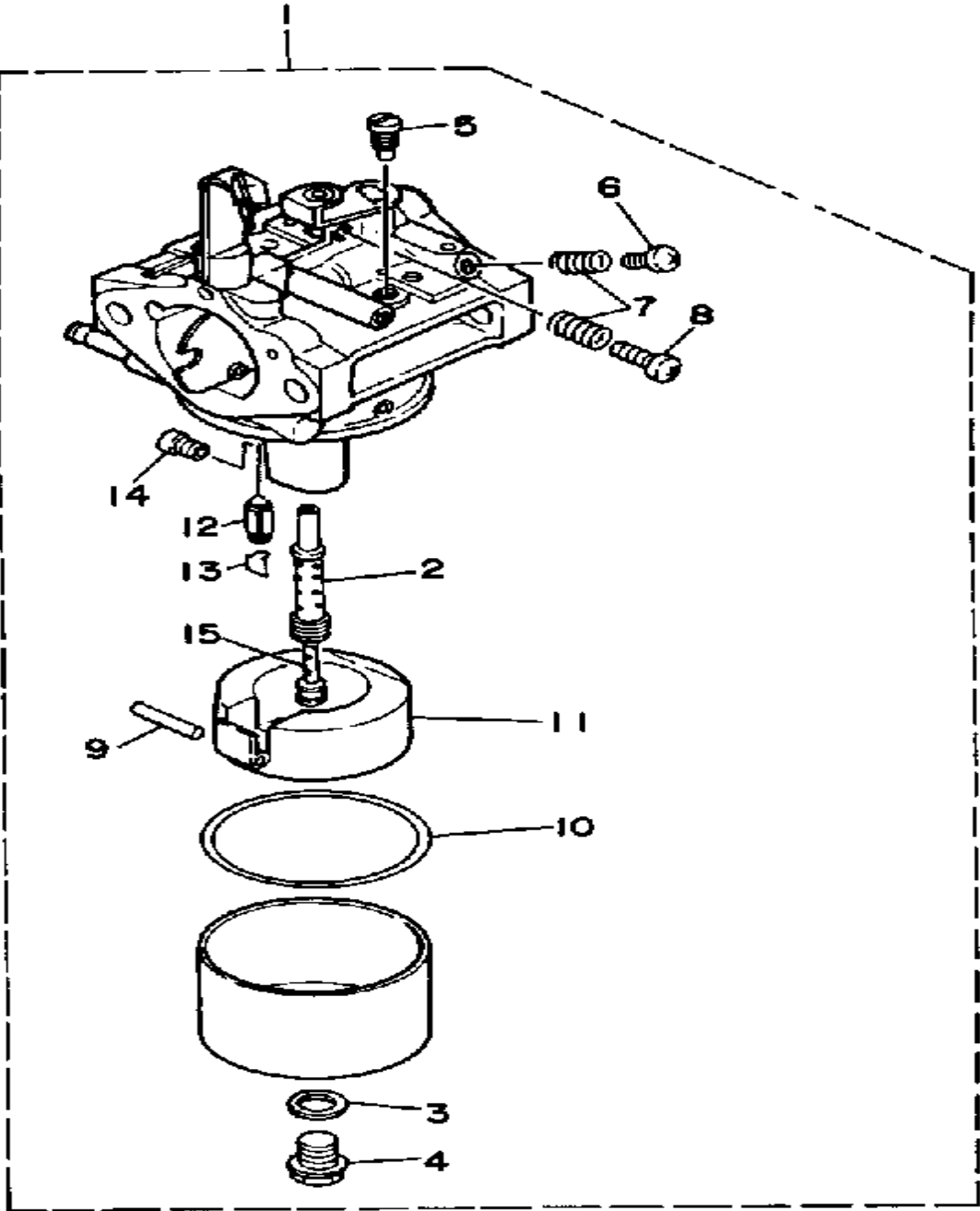


2171-0070

Ref. No.	Part Number	Description	Qty	Remarks
1	7LV-14101-20-00	CARBURETOR ASSEMBLY 1	1	
2	7LW-14941-53-00	. NOZZLE, MAIN	1	
3	127-14198-00-00	. GASKET	1	
4	75J-14150-01-00	. BOLT, HOLDING	1	
5	620-1414J-24-00	. JET, PILOT	1	
6	7LV-14211-00-00	. SCREW, PILOT ADJUSTING	1	
7	73A-14212-00-00	. SPRING, PILOT ADJUSTING	2	
8	7LG-14990-00-00	. SCREW	1	
9	22F-14186-00-00	. PIN, FLOAT	1	
10	796-14184-00-00	. GASKET, FLOAT CHMBR	1	
11	7KY-14185-00-00	. FLOAT	1	
12	7KY-14150-00-00	. NEEDLE ASSEMBLY	1	
13	7EG-14159-00-00	. CLIP	1	
14	3G2-14231-22-00	. JET, MAIN (#110)	1	
15	7LV-14527-00-00	. DIAPHRAGM ASSEMBLY	1	
16	7X9-14216-00-00	. SCREW	1	
17	73A-1414G-00-00	. PIPE, MAIN BLEED	1	



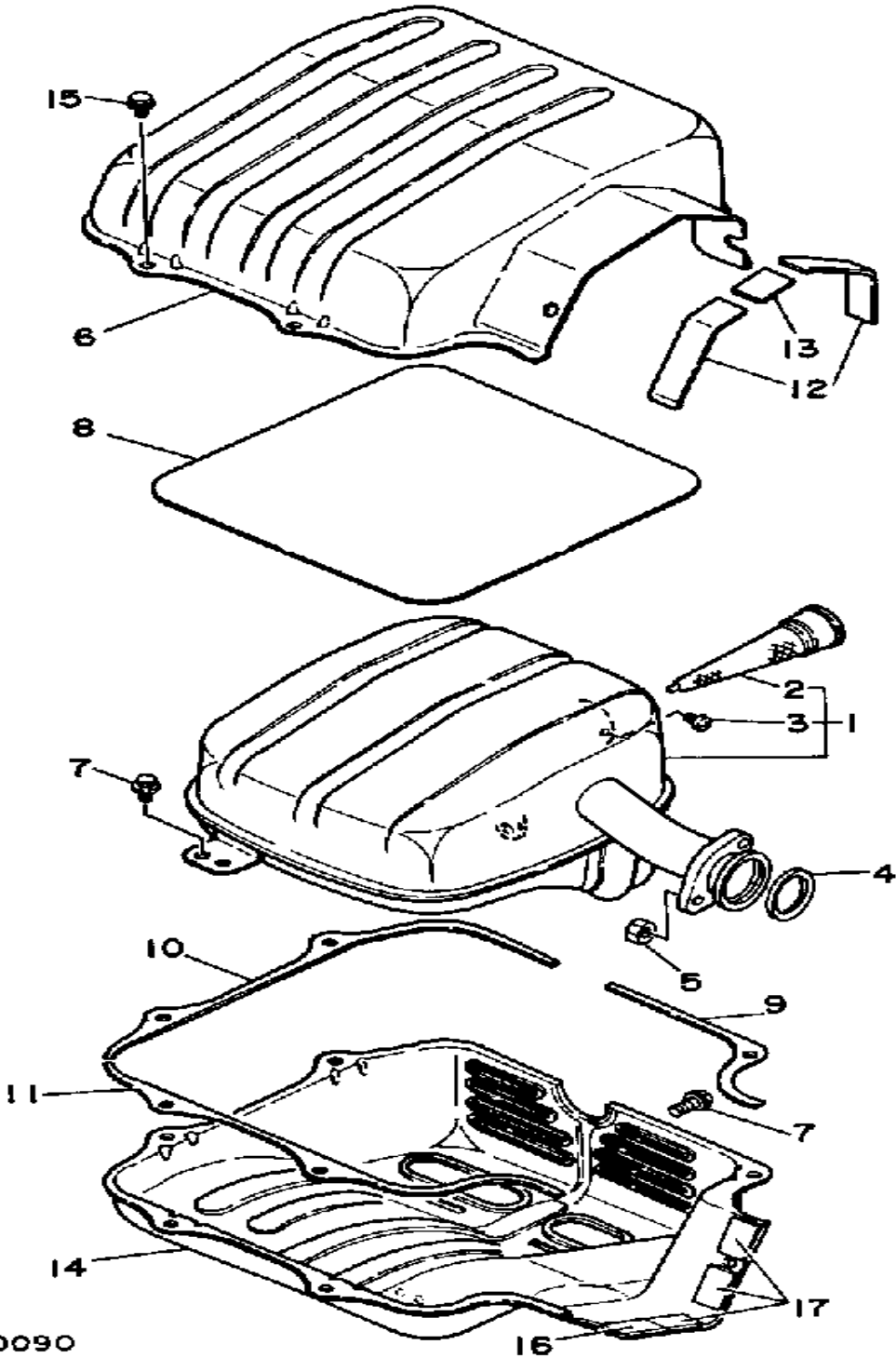
# CARBURETOR 2 (YG650D)



7MD2110-0081

Ref. No.	Part Number	Description	Qty	Remarks
1	7LW-14101-20-00	CARBURETOR ASSEMBLY 1	1	
2	7LW-14941-53-00	. NOZZLE, MAIN	1	
3	127-14198-00-00	. GASKET	1	
4	75J-14150-01-00	. BOLT, HOLDING	1	
5	620-1414J-24-00	. JET, PILOT	1	
6	7LV-14211-00-00	. SCREW, PILOT ADJUSTING	1	
7	73A-14212-00-00	. SPRING, PILOT ADJUSTING	2	
8	7LG-14990-00-00	. SCREW	1	
9	22F-14186-00-00	. PIN, FLOAT	1	
10	796-14184-00-00	. GASKET, FLOAT CHMBR	1	
11	7KY-14185-00-00	. FLOAT	1	
12	7KY-14150-00-00	. NEEDLE ASSEMBLY	1	
13	7EG-14159-00-00	. CLIP	1	
14	3G2-14231-22-00	. JET, MAIN (#110)	1	
15	73A-1414G-00-00	. PIPE, MAIN BLEED	1	

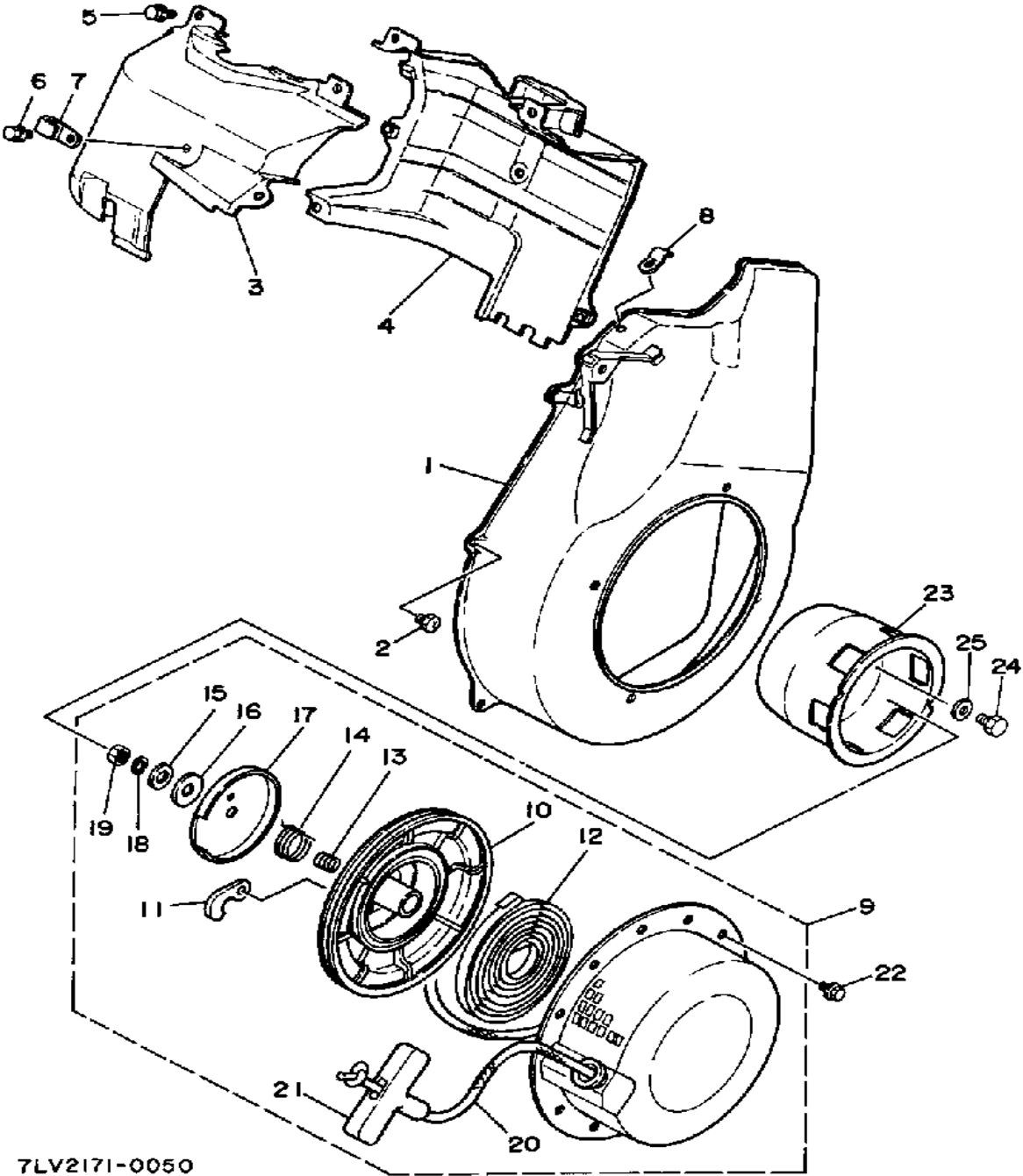
# EXHAUST 2



7LV2110-0090

Ref. No.	Part Number	Description	Qty	Remarks
1	7LV-14780-01-00	SPARK ARRESTER ASSEMBLY	1	
2	7LR-14786-00-00	. ARRESTER, SPARK	1	
3	97701-40506-00	. SCREW, TAPPING	1	
4	7LV-14613-00-00	GASKET, EXHAUST PIP	1	
5	95380-08600-00	NUT	2	
6	7LV-14718-00-98	PROTECTOR, MUFF 1	1	
7	95811-08016-00	BOLT, FLANGE	3	
8	7LR-22876-00-00	SEAL 4	1	
9	7LV-1477K-01-00	PLATE 1 (7LV-1477K-00)	1	
10	7LR-1477L-01-00	PLATE 2 (7LR-1477L-00)	1	
11	7LV-1477M-01-00	PLATE 3 (7LV-1477M-00)	1	
12	7LR-22875-01-00	SEAL 3 (7LR-22875-00)	2	
13	7LV-22875-01-00	SEAL 3	1	
14	7LV-14728-00-98	PROTECTOR, MUFF 2	1	
15	95826-06010-00	BOLT, FLANGE	6	
16	7LR-22875-01-00	SEAL 3 (7LR-22875-00)	1	
17	7LV-22875-01-00	SEAL 3	3	

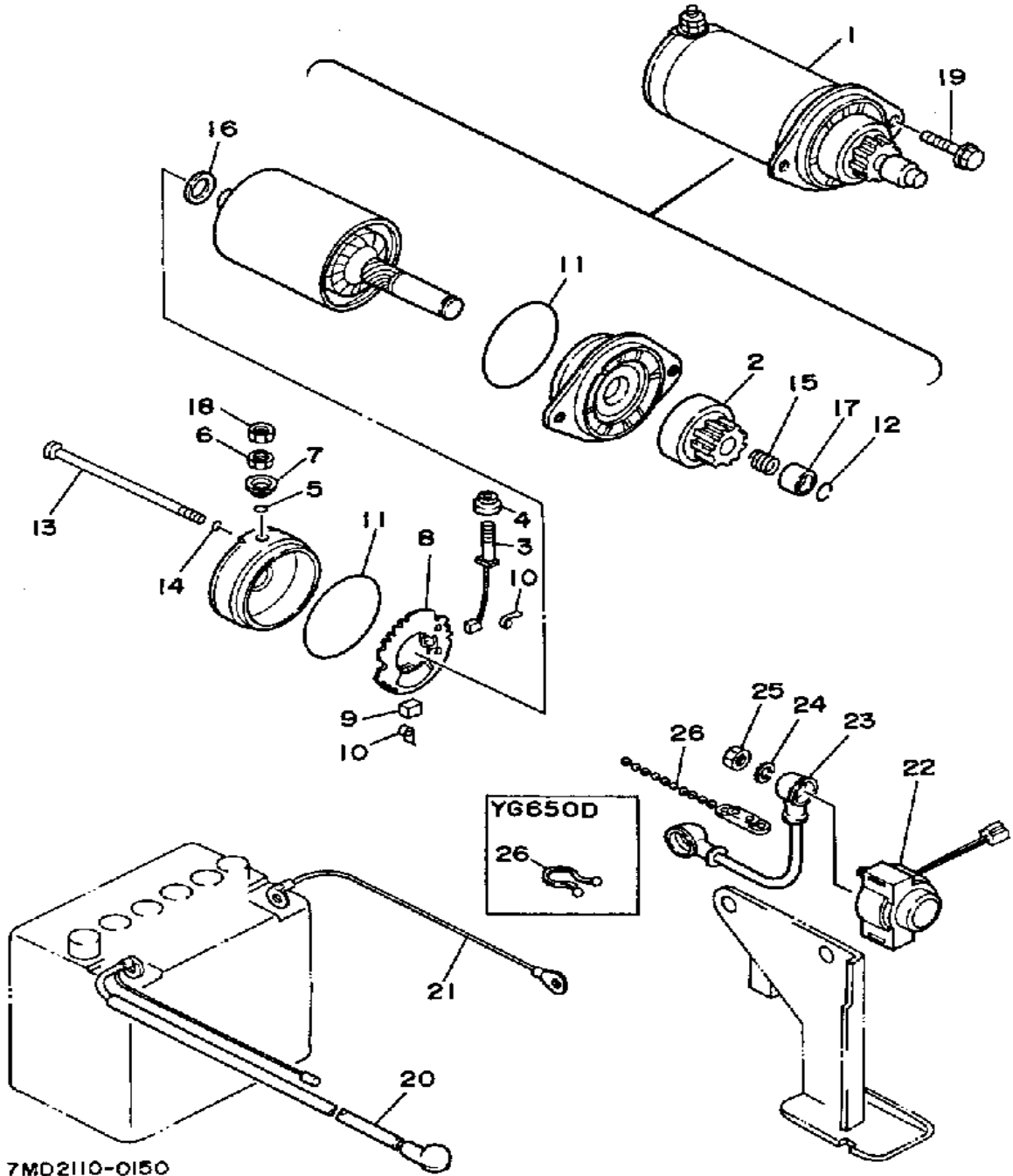
# AIR SHROUD - STARTER 2



7LV2171-0050

Ref. No.	Part Number	Description	Qty	Remarks
1	7LV-12621-10-NJ	CASE, FANFARAWAY BLUE ..	1	
2	90153-06045-00	SCREW, HEXAGON .....	5	
3	7LV-12651-00-00	AIR SHROUD, CYLINDER 1 ...	1	
4	7LV-12652-10-00	AIR SHROUD, CYLINDER 2 ...	1	
5	90153-06045-00	SCREW, HEXAGON .....	5	
6	90109-06513-00	BOLT .....	2	
7	90465-08028-00	CLAMP .....	1	
8	90462-10007-00	CLAMP .....	1	
9	7LV-15710-00-00	STARTER ASSEMBLY .....	1	
10	7LV-15714-00-00	. DRUM, SHEAVE .....	1	
11	7R1-15741-02-00	. PAWL, DRIVE .....	2	
12	730-15713-01-00	. SPRING, RETURN .....	1	
13	7LV-15715-01-00	. SPRING, DRIVE PLATE .....	1	
14	7R1-15784-01-00	. SPRING, RETURN .....	1	
15	7R1-15726-00-00	. WASHER, FLAT .....	1	
16	8G5-15739-00-00	. WASHER, THRUST .....	1	
17	7R1-15716-00-00	. PLATE, DRIVE .....	1	
18	92995-06100-00	. WASHER, SPRING .....	1	
19	95380-06600-00	. NUT, HEXAGON .....	1	
20	7LV-15751-00-00	. WIRE, STARTER .....	1	
21	7LV-15755-00-00	. HANDLE, STARTER .....	1	
22	90153-06045-00	SCREW, HEXAGON .....	1	
23	7LV-15723-00-00	PULLEY, STARTER .....	1	
24	97011-08016-00	BOLT .....	3	
25	92990-08600-00	WASHER, PLATE .....	3	

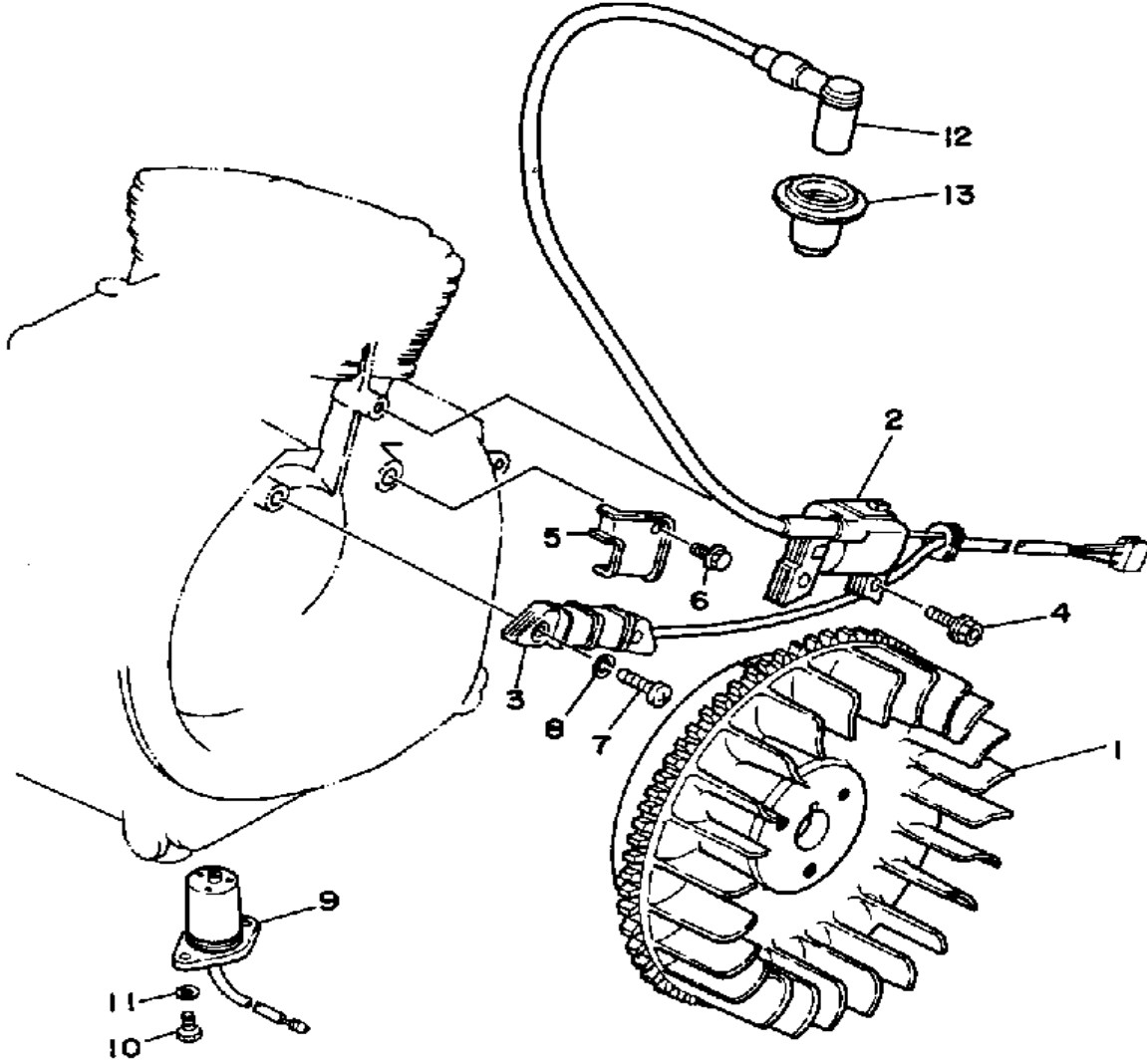
# STARTING MOTOR YG650DE



7MD2110-0150

Ref. No.	Part Number	Description	Qty	Remarks
1	7KY-81800-00-00	STARTING MOTOR ASSEMBLY	1	
2	84N-81832-50-00	. CLUTCH, OVER RUN	1	
3	73A-81811-00-00	. BRUSH 1	1	
4	73A-81829-50-00	. GROMMET	1	
5	73A-81847-00-00	. O-RING	1	
6	4H7-81872-00-00	. NUT, SPECIAL	1	
7	73A-81829-00-00	. GROMMET	1	
8	8L6-81840-50-00	. BRUSH HOLDER ASSEMBLY	1	
9	73A-81812-00-00	. BRUSH 2	1	
10	8L6-81813-50-00	. SPRING, BRUSH	2	
11	4H7-81844-00-00	. GASKET	2	
12	8L6-81834-50-00	. RING	1	
13	84N-81826-00-00	. BOLT	2	
14	8L6-81847-50-00	. O-RING	2	
15	8L6-81836-50-00	. SPRING, LEVER	1	
16	4H7-81843-50-00	. WASHER 1	1	
17	8L6-81833-50-00	. RING, STOP	1	
18	95380-06600-00	. NUT, HEXAGON	1	
19	95811-08035-00	BOLT, FLANGE	2	
20	7LV-82115-00-00	WIRE, PLUS LEAD	1	
21	7LV-82116-00-00	WIRE, MINUS LEAD	1	
22	3AY-81940-00-00	STARTER SWITCH ASSEMBLY	1	
23	7LV-81815-00-00	WIRE, STARTER	1	
24	92995-06100-00	WASHER, SPRING	2	
25	95380-06700-00	NUT	2	
26	90464-16039-00	CLAMP	1	UR
	90464-20031-00	CLAMP	1	UR

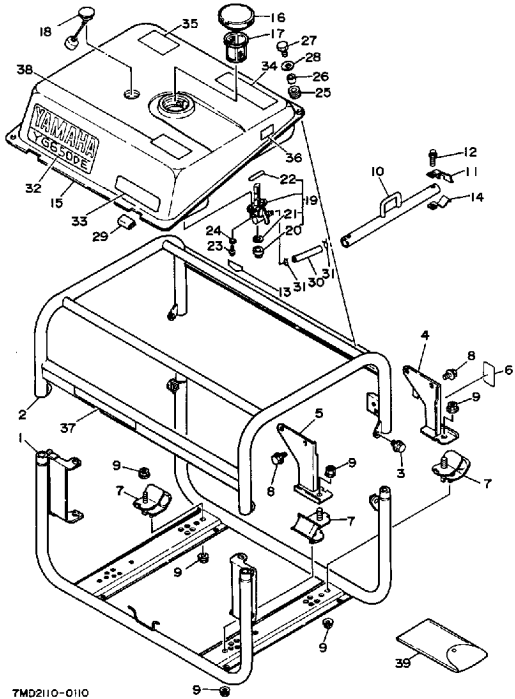
# MAGNETO 2



Ref. No.	Part Number	Description	Qty	Remarks
1	7LV-85650-09-00	ROTOR ASSEMBLY (7LV-85650-00) (YG600DE) . . . .	1	UR
	7MD-85650-09-00	ROTOR ASSEMBLY (7MD-85650-00) (YG600D) . . . .	1	UR
2	7LV-85640-01-00	TC1 UNIT ASSEMBLY (7LV-85640-00) (YG600DE) . . . .	1	UR
	7MD-85640-01-00	TCI UNIT ASSEMBLY (7MD-85640-00) (YG600D) . . . .	1	UR
3	7LV-85521-00-00	COIL ASSEMBLY (YG600DE) . .	1	
4	95811-06025-00	BOLT, FLANGE (96822-06025) .	2	
5	90461-10116-00	CLAMP (JA1) . . . . .	1	
6	90109-06513-00	BOLT . . . . .	1	
7	98580-06030-00	SCREW PAN HEAD . . . . .	2	
8	92995-06100-00	WASHER, SPRING . . . . .	2	
9	7LV-85720-00-00	OIL LVL GAUGE ASSEMBLY . .	1	
10	97011-06016-00	BOLT (97021-06016) . . . . .	2	
11	92990-06600-00	WASHER, PLATE . . . . .	2	
12	8K1-82370-20-00	PLUG CAP ASSEMBLY (WITH RESISTOR) . . . . .	1	
13	J38-82372-00-00	SEAL, PLUG CAP . . . . .	1	

7MD1110-9140

# FRAME - FUEL TANK 2

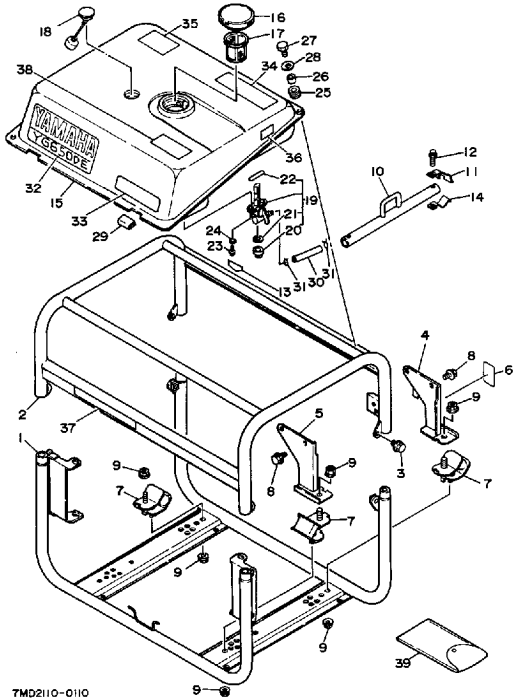


7MD2110-0110

Ref. No.	Part Number	Description	Qty	Remarks
1	7LV-22840-20-00	FRAME COMP. 1	1	
2	7MD-22850-20-00	FRAME COMP. 2	1	
3	95811-06012-00	BOLT, FLANGE	4	
4	7LV-11011-00-00	BRACKET, ENGINE 1	1	UR
	7LV-11011-10-00	BRACKET, ENGINE 1	1	UR
5	7LV-11012-00-00	BRACKET, ENGINE 2	1	
6	73A-21793-30-00	ORNAMENT	1	
7	7LR-22891-00-00	INSULATOR, MOUNTING	4	
8	95811-10020-00	BOLT, FLANGE	4	
9	95701-10500-00	NUT, FLANGE	8	
10	7MC-11119-00-00	HANGER, ENGINE	1	
11	7MC-1112F-00-00	PLATE 2	2	
12	95811-08035-00	BOLT, FLANGE	2	
13	7FL-2415A-10-00	LABEL, CAUTION	1	
14	7MC-1111F-00-00	PLATE	2	
15	7MD-24110-01-NJ	FUEL TANK	1	
16	7V5-24610-01-00	CAP ASSEMBLY	1	
17	630-24167-00-00	STRAINER	1	
18	73A-85710-01-00	FUEL LVL GAUGE ASSEMBLY	1	
19	7H5-24500-01-00	FUEL COCK ASSEMBLY 1	1	
20	7J3-24521-00-00	. CUP, FILTER	1	
21	4X8-24565-00-00	. GASKET	1	
22	2W6-24512-00-00	. GASKET	1	
23	90149-06011-00	SCREW	2	
24	90202-05187-00	WASHER, PLATE	2	
25	90480-12475-00	GROMMET	2	
26	90387-08747-00	COLLAR	2	
27	97011-06020-00	BOLT	2	
28	90201-06067-00	WASHER, PLATE	2	

CONTINUED ON NEXT FRAME ➤

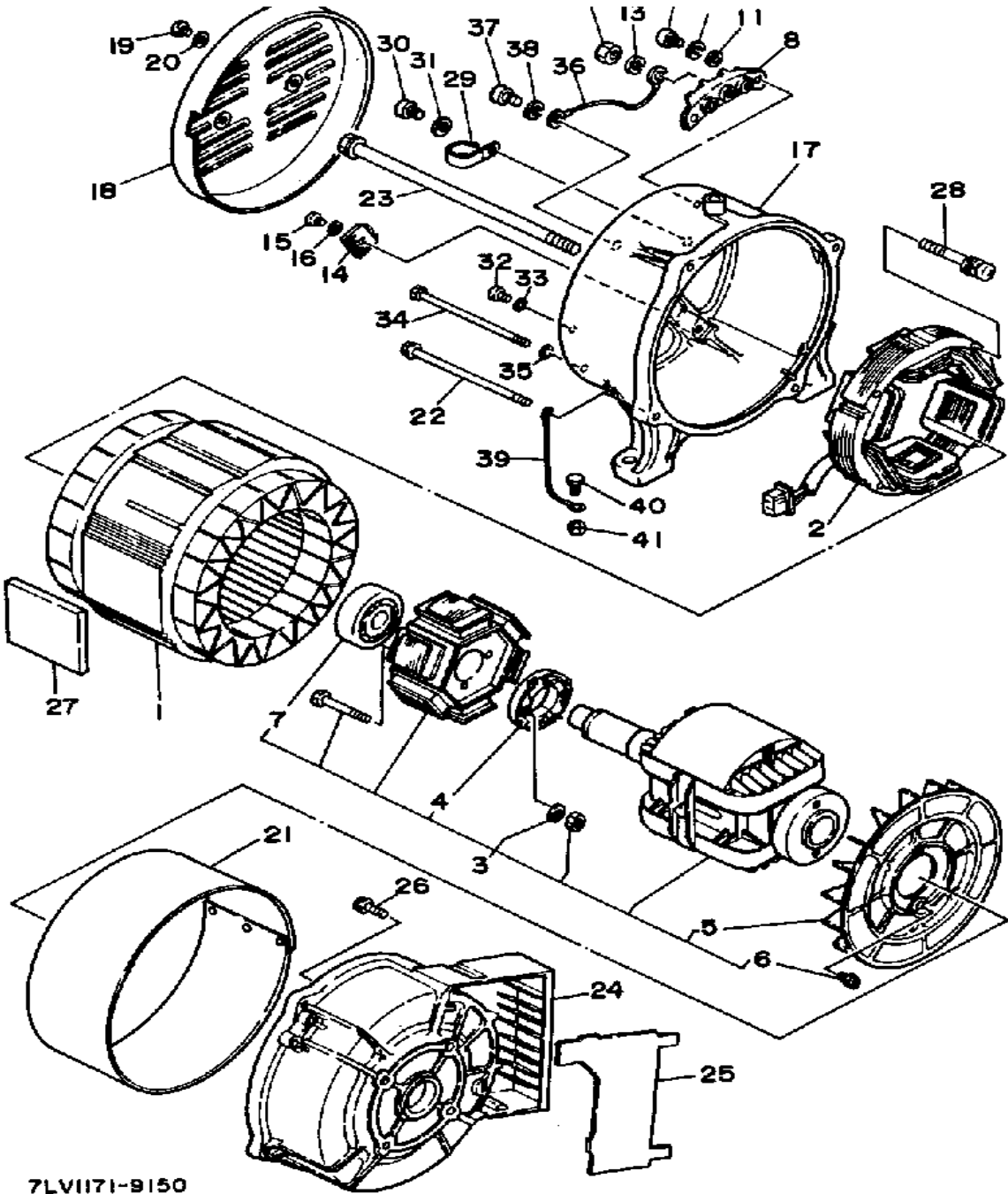
# FRAME - FUEL TANK 2



7MD2110-0110

Ref. No.	Part Number	Description	Qty	Remarks
29	7LG-24181-00-00	DAMPER, LOCATING 1	2	
30	90445-10261-00	HOSE	1	
31	90467-09006-00	CLIP	2	
32	7MD-24161-20-00	EMBLEM 1	1	UR
	7MD-24161-30-00	EMBLEM 1	1	UR
33	7MC-24164-00-00	EMBLEM 4	1	
34	73T-24162-10-00	EMBLEM 2	1	
35	73H-2415A-00-00	LABEL, CAUTION	1	
36	7ME-24155-00-00	INDICATOR, CHOKE	1	
37	7MD-21782-00-00	EMBLEM 2	1	
38	7LV-2415E-00-00	LABEL, CAUTION	1	
39	7LV-28100-00-00	TOOL KIT	1	

# GENERATOR 2



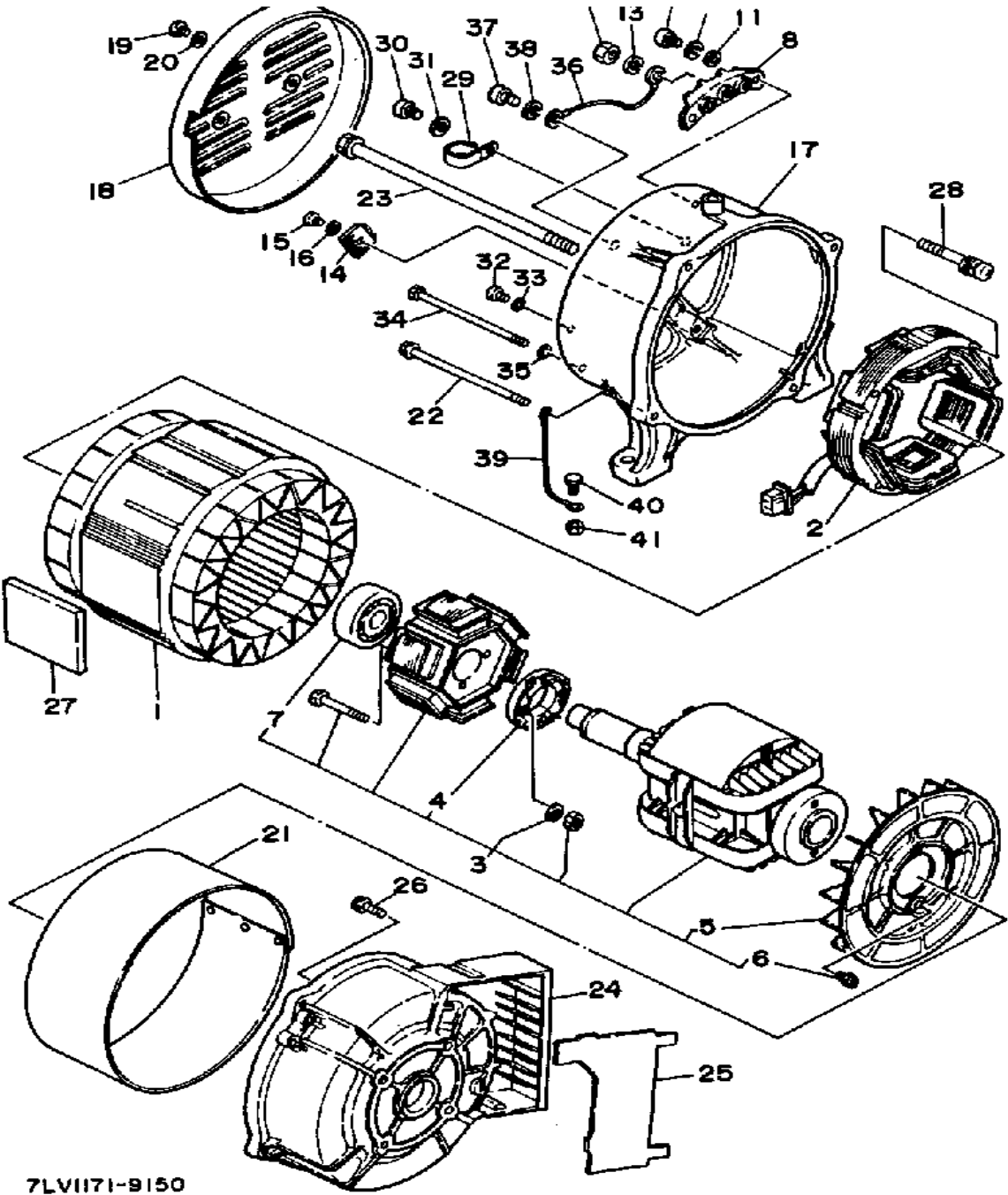
7LV1171-9150

Ref. No.	Part Number	Description	Qty	Remarks
1	7LV-87150-90-00	STATOR ASSEMBLY (120/240V 60HZ)	1	
2	73A-8712A-01-00	STATOR EXCITER ASSEMBLY	1	
3	7LV-87160-00-00	ROTOR ASSEMBLY	1	
4	7LV-87115-00-00	. RECTIFIER ASSEMBLY	1	
5	7LR-87172-00-00	. FAN, GENERATOR	1	
6	90159-06056-00	. SCREW, WITH WASHER	2	
7	93306-37202-00	. BEARING	1	
8	7LR-87220-00-00	TERMINAL ASSEMBLY	1	
9	98586-05016-00	SCREW, PAN HEAD	2	
10	92990-05100-00	WASHER, SPRING	2	
11	92901-05600-00	WASHER, PLATE	2	
12	95311-05700-00	NUT	3	
13	92990-05100-00	WASHER, SPRING	3	
14	7H5-87105-01-00	RECTIFIER COMP	1	
15	98580-05016-00	SCREW, PAN HEAD	1	
16	92901-05600-00	WASHER, PLATE	1	
17	7LV-87131-00-00	FRAME, REAR	1	
18	7RH-87174-00-NJ	COVER, REAR END	1	
19	97011-06010-00	BOLT (97021-06010)	2	
20	92901-06600-00	WASHER, PLATE	2	
21	7LV-87153-00-00	COVER, STATOR	1	
22	95811-06135-00	BOLT, FLANGE	4	
23	7LV-81152-00-00	BOLT	1	
24	7LR-87121-00-00	FRAME, FRONT	1	
25	7LR-8718K-00-00	COVER, FRONT	1	
26	95821-08020-00	BOLT, FLANGE	4	
27	7LV-87159-00-00	SEAL, STATOR	4	
28	90159-05091-00	SCREW, WITH WASHER	4	

CONTINUED ON NEXT FRAME ►

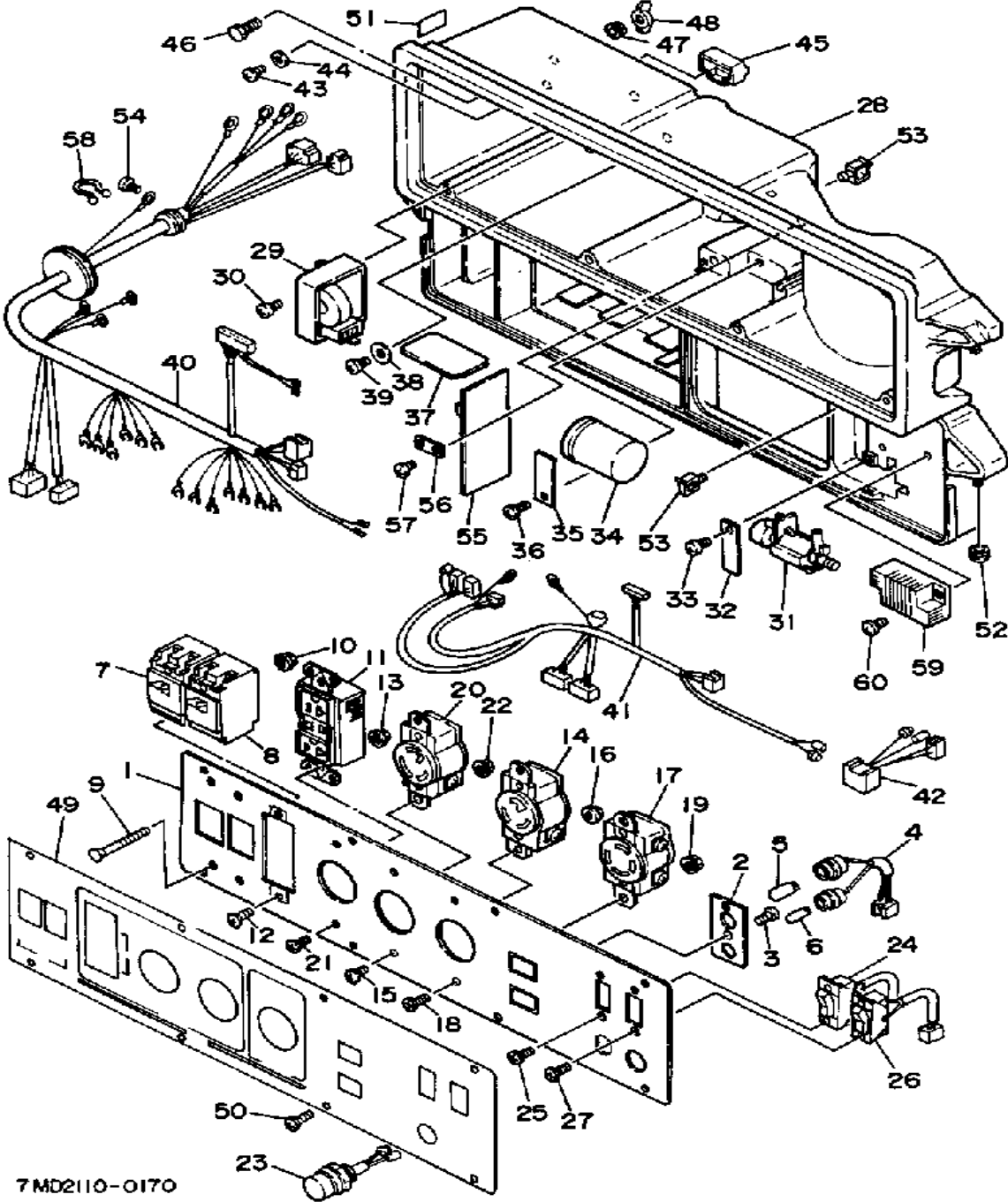


# GENERATOR 2



Ref. No.	Part Number	Description	Qty	Remarks
29	90462-05061-00	CLAMP	1	
30	98580-05010-00	SCREW, PAN HEAD	1	
31	92901-05600-00	WASHER, PLATE	1	
32	98580-05010-00	SCREW, PAN HEAD	1	
33	92901-05600-00	WASHER, PLATE	1	
34	90101-06739-00	BOLT	2	
35	92990-06600-00	WASHER, PLATE	2	
36	7LR-8722W-80-00	WIRE, LEAD 6	1	
37	98580-05010-00	SCREW, PAN HEAD	1	
38	92901-05600-00	WASHER, PLATE	1	
39	7LG-87139-80-00	LEAD WIRE ASSEMBLY 2	1	
40	95811-06010-00	BOLT, FLANGE	1	
41	95701-06500-00	NUT, FLANGE	1	

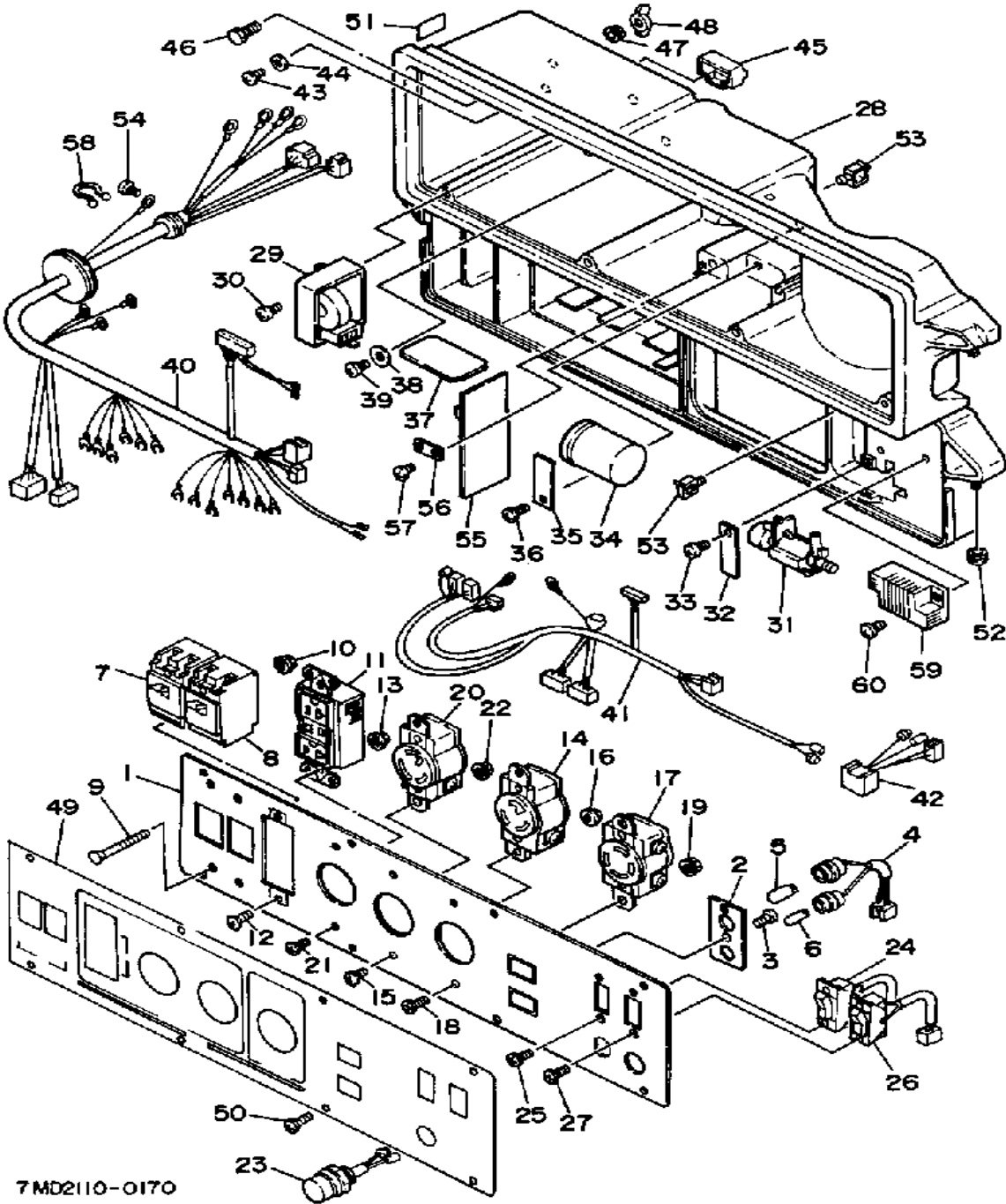
# CONTROL BOX (YG650DE)



Ref. No.	Part Number	Description	Qty	Remarks
1	7MC-87211-90-00	BOX, CONTROL .....	1	
2	7LG-87253-00-00	HOLDER, SOCKET .....	1	
3	97780-30512-00	SCREW, TAPPING (97702-30512-00) .....	1	
4	7MB-83520-90-00	SOCKET CORD ASSEMBLY ..	1	
5	7LG-87254-00-00	BULB, PILOT LAMP .....	1	
6	7LG-83531-00-00	BULB, PILOT .....	1	
7	7LV-87204-00-00	BREAKER (41.7A) .....	1	
8	7LV-87204-20-00	BREAKER (20.8A) .....	1	
9	98702-04070-00	SCREW, FLAT HEAD .....	4	
10	95701-04500-00	NUT, FLANGE .....	4	
11	7MC-87221-A0-00	CONSENT 1 (P&S 5-20R) .....	1	
12	98701-04012-00	SCREW, FLAT HEAD .....	2	
13	95701-04500-00	NUT, FLANGE .....	2	
14	7LR-87221-90-00	CONSENT 1 (WCF63130B02) ..	1	
15	98701-04012-00	SCREW, FLAT HEAD .....	2	
16	95701-04500-00	NUT, FLANGE .....	2	
17	73H-87222-70-00	RECEPTACLE 2 .....	1	UR
	7LR-87222-90-00	CONCENT 2 (WCF63420B02) ..	1	UR
18	98701-04012-00	SCREW, FLAT HEAD .....	2	
19	95701-04500-00	NUT, FLANGE .....	2	
20	7LL-87222-90-00	CONSENT 2 (WCF6312002) ...	1	
21	98701-04012-00	SCREW, FLAT HEAD .....	2	
22	95701-04500-00	NUT, FLANGE .....	2	
23	7MD-81870-00-00	START SWITCH ASSEMBLY ..	1	
24	78G-82550-00-00	STOP SWITCH ASSEMBLY ...	1	
25	98702-03006-00	SCREW, FLAT HEAD .....	2	
26	7LR-82567-90-00	SWITCH, THROTTLE .....	1	
27	98702-03006-00	SCREW, FLAT HEAD .....	2	

CONTINUED ON NEXT FRAME ►

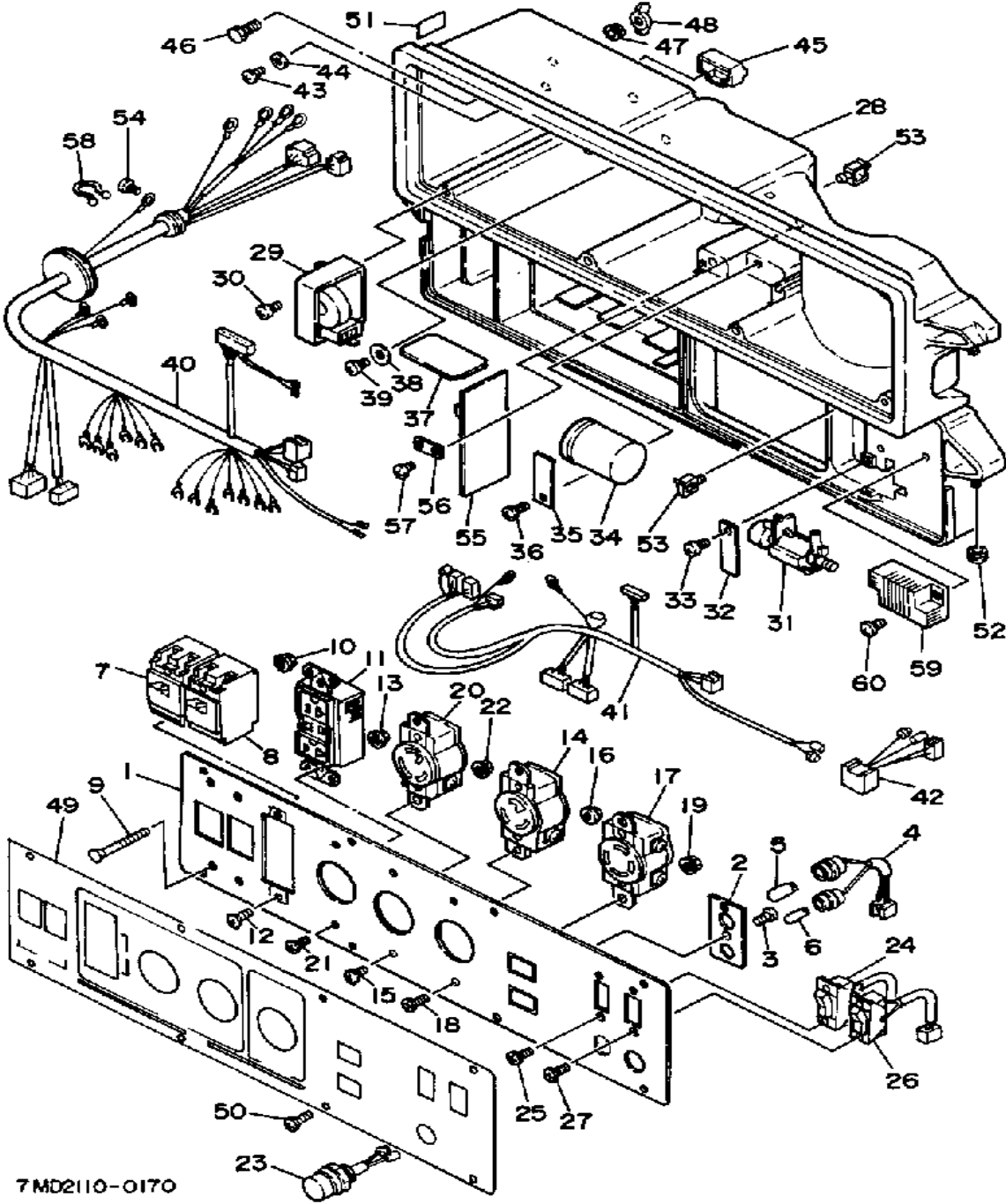
# CONTROL BOX (YG650DE)



Ref. No.	Part Number	Description	Qty	Remarks
28	7LP-87213-01-00	COVER, CONTROL BOX	1	
29	7AV-87286-00-00	SLOW DOWN UNIT ASSEMBLY	1	
30	97702-60120-00	SCREW, TAPPING	1	
31	7LR-86120-90-00	SOLENOID VALVE ASSEMBLY	1	
32	7LR-86112-00-00	STAY, SOLENOID	1	
33	97780-50612-00	SCREW, TAPPING	1	
34	78R-87107-00-00	CONDENSER ASSEMBLY	1	
35	7LR-86112-00-00	STAY, SOLENOID	1	
36	97780-50612-00	SCREW, TAPPING	1	
37	7LG-85690-00-00	OIL WARNING UNIT	1	
38	90201-03013-00	WASHER, PLATE	1	
39	97780-30512-00	SCREW, TAPPING (97702-30512-00)	1	
40	7MD-87226-B0-00	WIRE HARNESS ASSEMBLY	1	
41	7LW-82509-B0-00	WIRE, SUB LEAD	1	
42	7MD-82507-K0-00	WIRE, LEAD	1	
43	97780-30512-00	SCREW, TAPPING (97702-30512-00)	2	
44	92990-03200-00	WASHER (50H)	2	
45	7LP-82599-00-00	COVER, CONNECTER	1	
46	97011-06020-00	BOLT	1	
47	95701-06500-00	NUT, FLANGE	1	
48	90175-06008-00	NUT, WING	1	
49	7MD-87217-B0-00	PLATE, CONTROL	1	
50	97706-40516-00	SCREW, TAPPING	8	
51	7H6-87261-00-00	EMBLEM 1	1	
52	90480-01401-00	GROMMET	4	
53	90464-16025-00	CLAMP	3	
54	98580-05010-00	SCREW, PAN HEAD	1	

CONTINUED ON NEXT FRAME ►

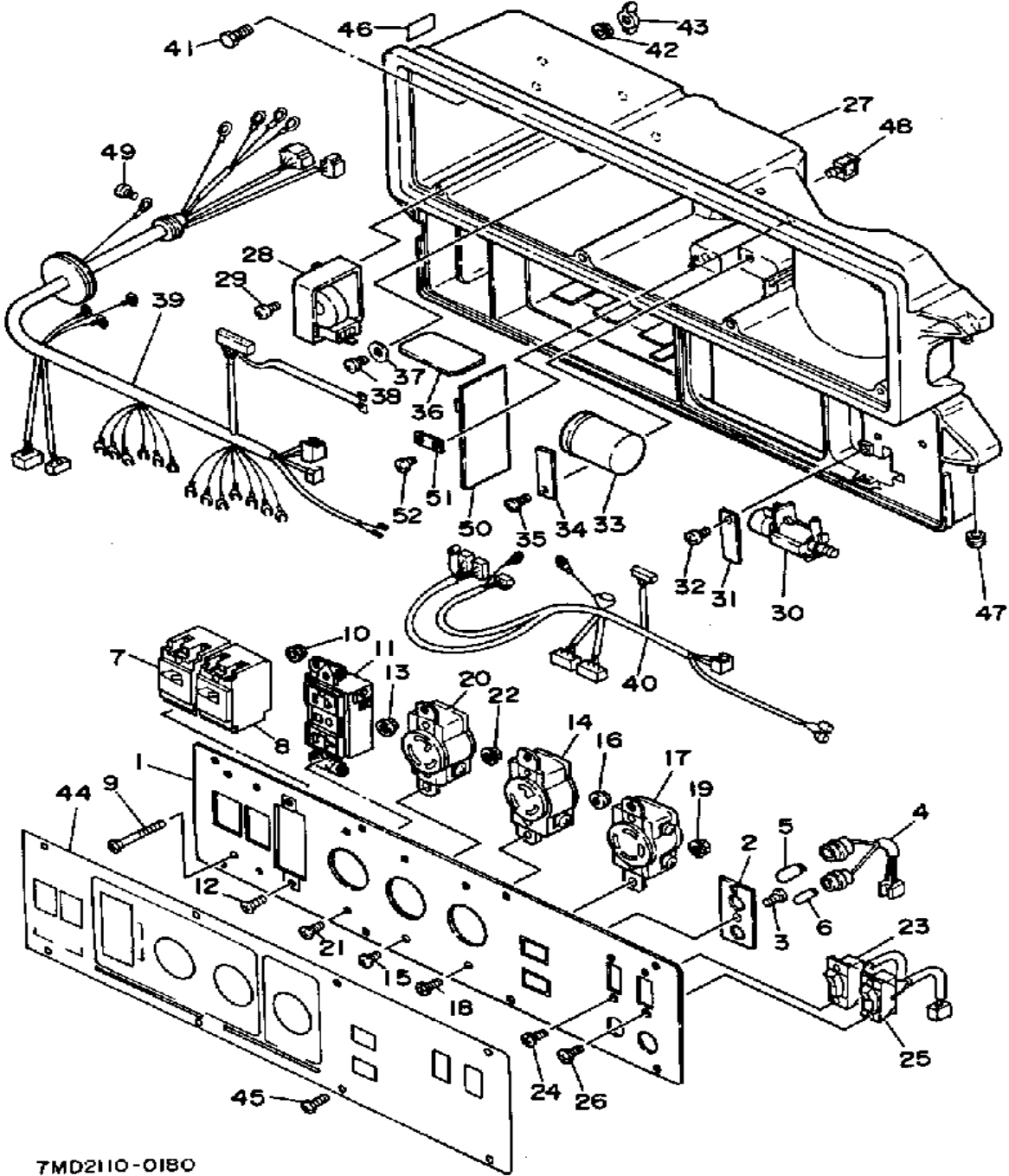
# CONTROL BOX (YG650DE)



Ref. No.	Part Number	Description	Qty	Remarks
55	7LU-8722A-00-00	VOLT.REGULATOR ASSEMBLY	1	
56	7LG-2631G-00-00	PLATE .....	1	
57	97780-30512-00	SCREW, TAPPING (97702-30512-00) .....	1	
58	90464-16039-00	CLAMP .....	1	
59	22J-81960-92-00	RECTIFIER/REG ASSEMBLY ..	1	
60	97780-50520-00	SCREW, TAPPING .....	2	

7MD2110-0170

# CONTROL BOX (YG650D)

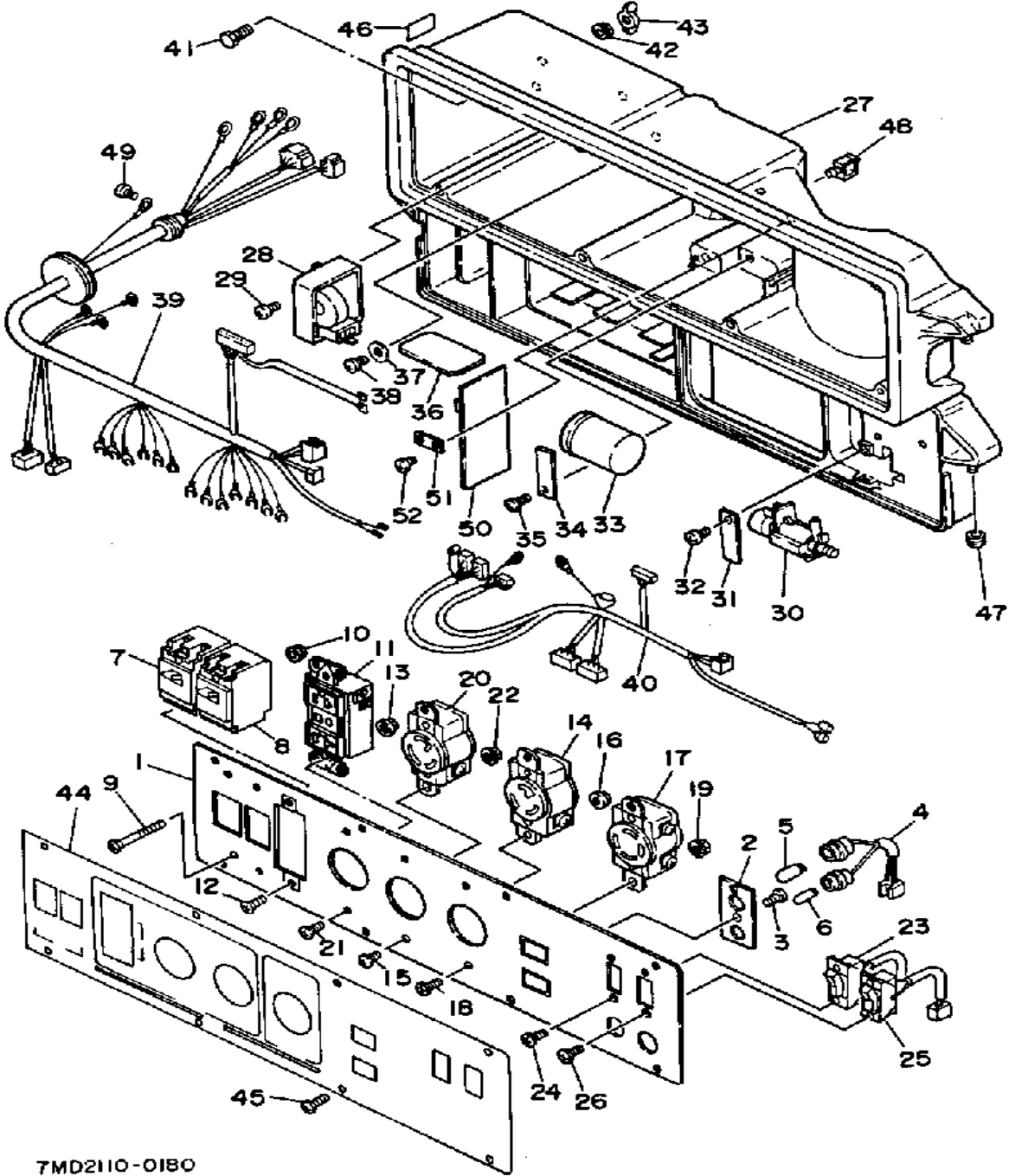


7MD2110-0180

Ref. No.	Part Number	Description	Qty	Remarks
1	7MC-87211-90-00	BOX, CONTROL .....	1	
2	7LG-87253-00-00	HOLDER, SOCKET .....	1	
3	97780-30512-00	SCREW, TAPPING (97702-30512-00) .....	1	
4	7MB-83520-90-00	SOCKET CORD ASSEMBLY ..	1	
5	7LG-87254-00-00	BULB, PILOT LAMP .....	1	
6	7LG-83531-00-00	BULB, PILOT .....	1	
7	7LV-87204-00-00	BREAKER (41.7A) .....	1	
8	7LV-87204-20-00	BREAKER (20.8A) .....	1	
9	98702-04070-00	SCREW, FLAT HEAD .....	4	
10	95701-04500-00	NUT, FLANGE .....	4	
11	7MC-87221-A0-00	CONSENT 1 (P&S 5-20R) .....	1	
12	98701-04012-00	SCREW, FLAT HEAD .....	2	
13	95701-04500-00	NUT, FLANGE .....	2	
14	7LR-87221-90-00	CONSENT 1 (WCF63130B02) ..	1	
15	98701-04012-00	SCREW, FLAT HEAD .....	2	
16	95701-04500-00	NUT, FLANGE .....	2	
17	73H-87222-70-00	RECEPTACLE 2 .....	1	UR
	7LR-87222-90-00	CONCENT 2 (WCF63420B02) ..	1	UR
18	98701-04012-00	SCREW, FLAT HEAD .....	2	
19	95701-04500-00	NUT, FLANGE .....	2	
20	7LL-87222-90-00	CONSENT 2 (WCF6312002) ...	1	
21	98701-04012-00	SCREW, FLAT HEAD .....	2	
22	95701-04500-00	NUT, FLANGE .....	2	
23	78G-82550-00-00	STOP SWITCH ASSEMBLY ...	1	
24	98702-03006-00	SCREW, FLAT HEAD .....	2	
25	7LR-82567-90-00	SWITCH, THROTTLE .....	1	
26	98702-03006-00	SCREW, FLAT HEAD .....	2	
27	7LV-87213-00-00	COVER CONTROL BOX .....	1	

CONTINUED ON NEXT FRAME ►

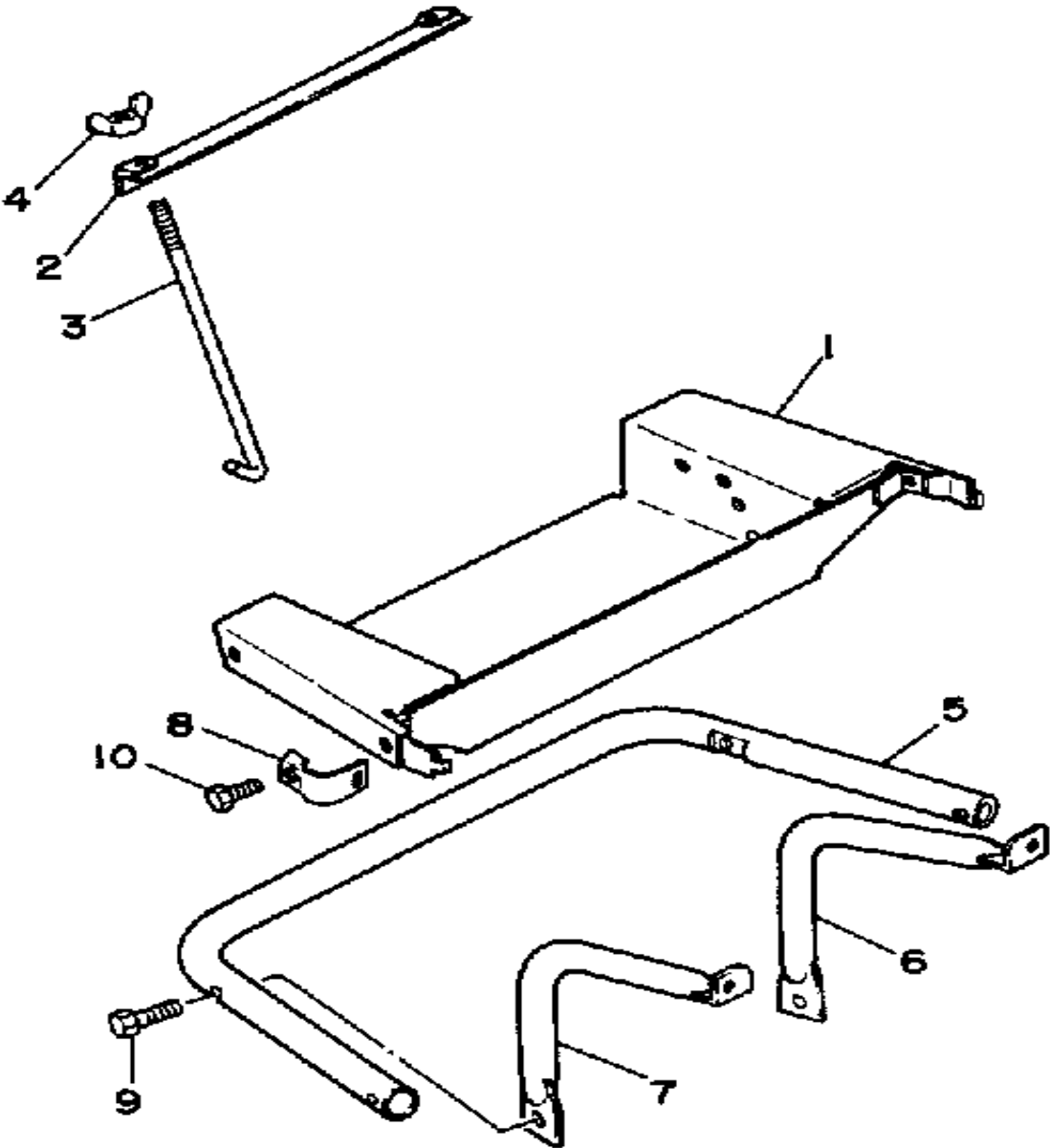
# CONTROL BOX (YG650D)



7MD2110-0180

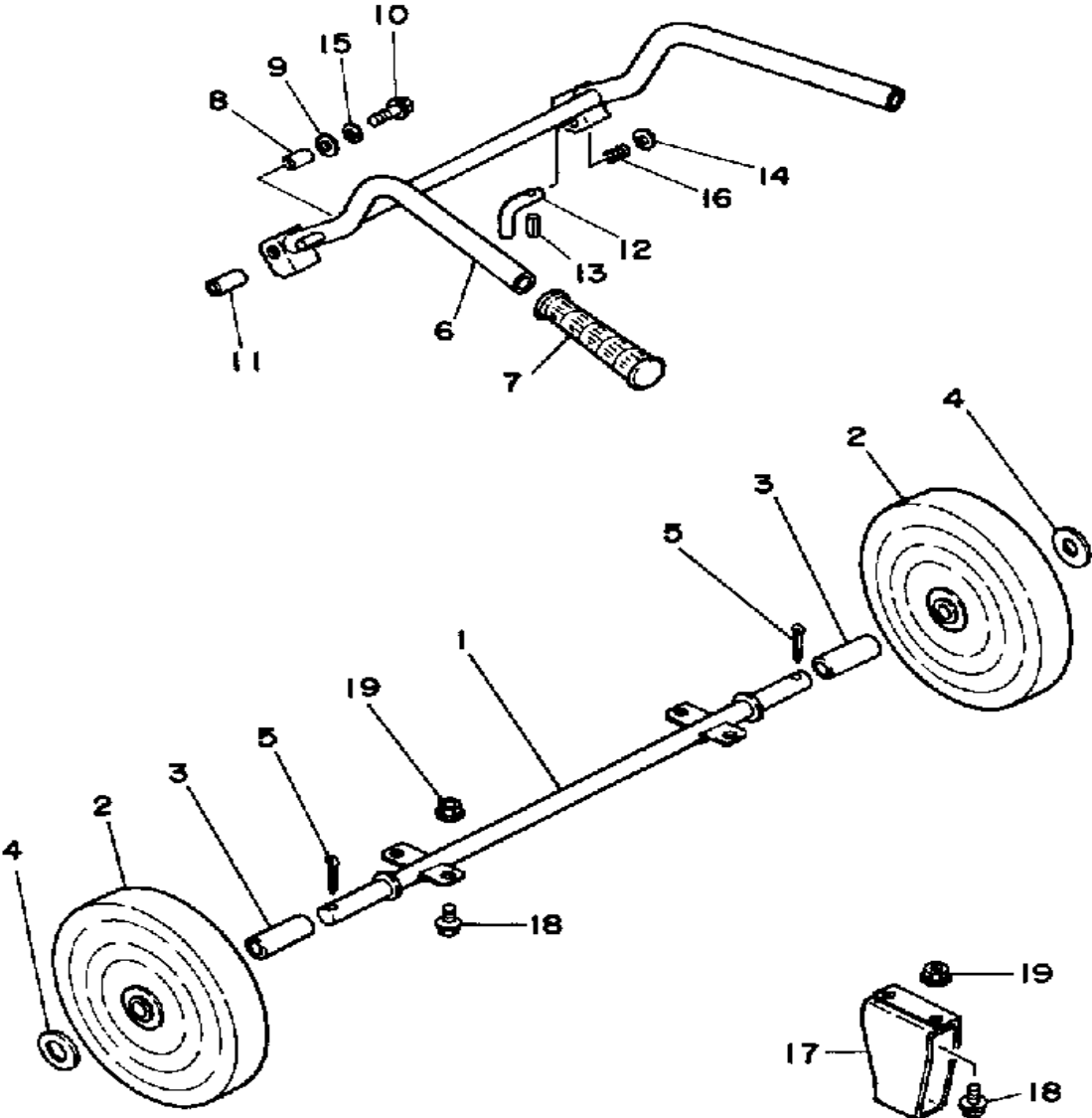
Ref. No.	Part Number	Description	Qty	Remarks
28	7AV-87286-00-00	SLOW DOWN UNIT ASSEMBLY	1	
29	97702-60120-00	SCREW, TAPPING	1	
30	7LR-86120-90-00	SOLENOID VALVE ASSEMBLY	1	
31	7LR-86112-00-00	STAY, SOLENOID	1	
32	97780-50612-00	SCREW, TAPPING	1	
33	78R-87107-00-00	CONDENSER ASSEMBLY	1	
34	7LR-86112-00-00	STAY, SOLENOID	1	
35	97780-50612-00	SCREW, TAPPING	1	
36	7LG-85690-00-00	OIL WARNING UNIT	1	
37	90201-03013-00	WASHER, PLATE	1	
38	97780-30512-00	SCREW, TAPPING (97702-30512-00)	1	
39	7MD-87226-B0-00	WIRE HARNESS ASSEMBLY	1	
40	7LW-82509-G0-00	WIRE, SUB LEAD	1	
41	97011-06020-00	BOLT	1	
42	95701-06500-00	NUT, FLANGE	1	
43	90175-06008-00	NUT, WING	1	
44	7MC-87217-A0-00	PLATE, CONTROL	1	
45	97706-40516-00	SCREW, TAPPING	8	
46	7H6-87261-00-00	EMBLEM 1	1	
47	90480-01401-00	GROMMET	4	
48	90464-16025-00	CLAMP	1	
49	98580-05010-00	SCREW, PAN HEAD	1	
50	7LU-8722A-00-00	VOLT.REGULATOR ASSEMBLY	1	
51	7LG-2631G-00-00	PLATE	1	
52	97780-30512-00	SCREW, TAPPING (97702-30512-00)	1	

# BATTERY TRAY (YG650DE)



Ref. No.	Part Number	Description	Qty	Remarks
1	7LP-82122-00-T2	SEAT, BATTERY .....	1	
2	J55-H2136-00-00	PLATE, BATT FITTING (J17-82136-00) .....	1	
3	7LP-82133-00-00	SCREW, FITTING .....	2	
4	90175-06008-00	NUT, WING .....	2	
5	7LV-22836-00-00	STAY, 3 .....	1	
6	7LV-22838-00-00	STAY 6 .....	1	
7	7LV-22839-00-00	STAY 7 .....	1	
8	7LV-22864-00-00	COVER, SIDE 1 .....	2	
9	95811-06030-00	BOLT, FLANGE (95821-06030) .	2	
10	95801-06035-00	BOLT, FLANGE .....	2	

# FRONT WHEEL (OPTIONAL PARTS)



Ref. No.	Part Number	Description	Qty	Remarks
1	7LR-25381-00-00	AXLE, WHEEL	1	
2	73A-22846-10-00	CASTER 2	2	
3	73A-25322-10-00	INSERT, SHAFT	2	
4	92901-20600-00	WASHER	2	
5	91401-30040-00	PIN, COTTER	2	
6	7LR-26100-00-00	HANDLE ASSEMBLY	1	
7	801-26241-01-00	GRIP LH (L.H.)	2	
8	90387-080K6-00	COLLAR	2	
9	90206-12052-00	WASHER, WAVE	2	
10	95811-08045-00	BOLT, FLANGE (95801-08045)	2	
11	90445-162A0-00	HOSE	2	
12	73A-26112-10-00	BAR, HANDLE	1	
13	91609-30016-00	PIN, SPRING	1	
14	90201-08624-00	WASHER, PLATE	1	
15	90201-08730-00	WASHER, PLATE	2	
16	90501-10264-00	SPRING, COMPRESSION	1	
17	7LR-27111-01-00	STAND, MAIN	2	
18	95811-08016-00	BOLT, FLANGE	8	
19	95701-08500-00	NUT, FLANGE	8	

7MD1110-9130